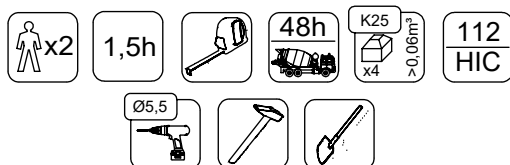
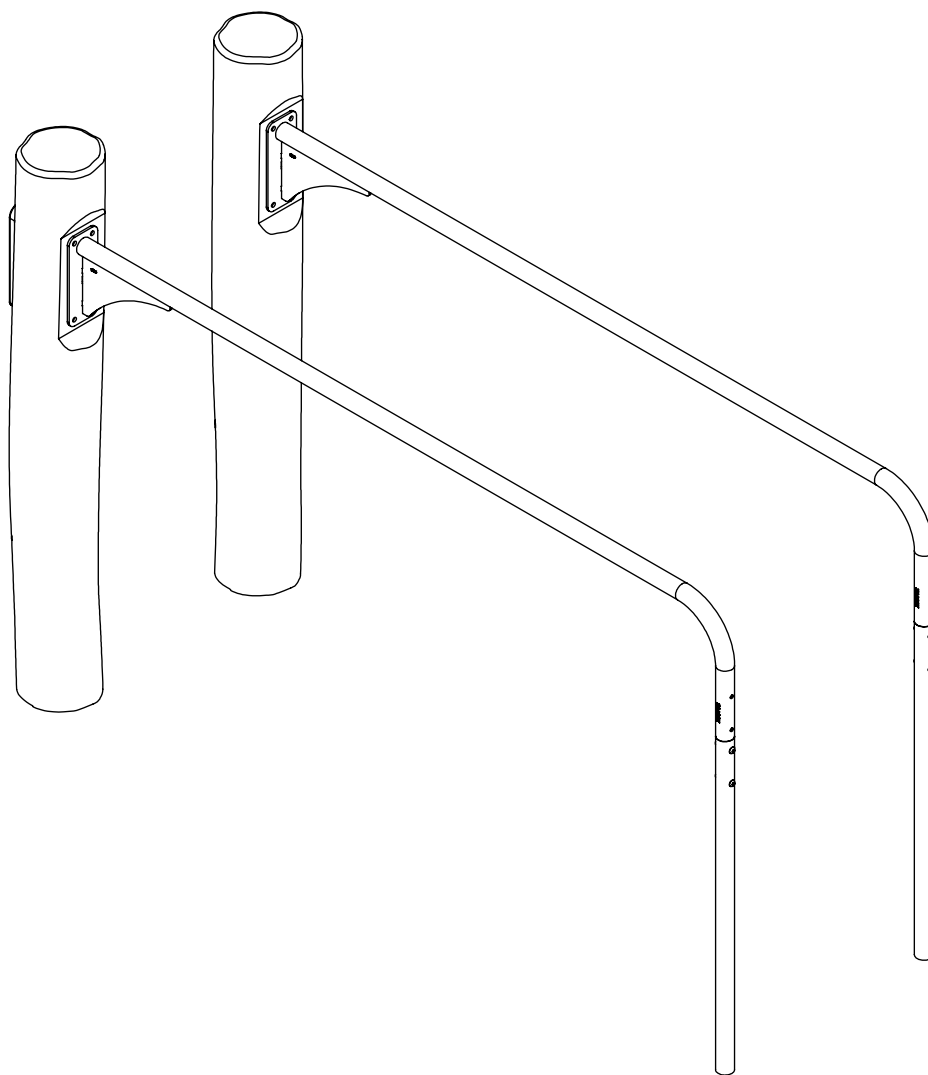
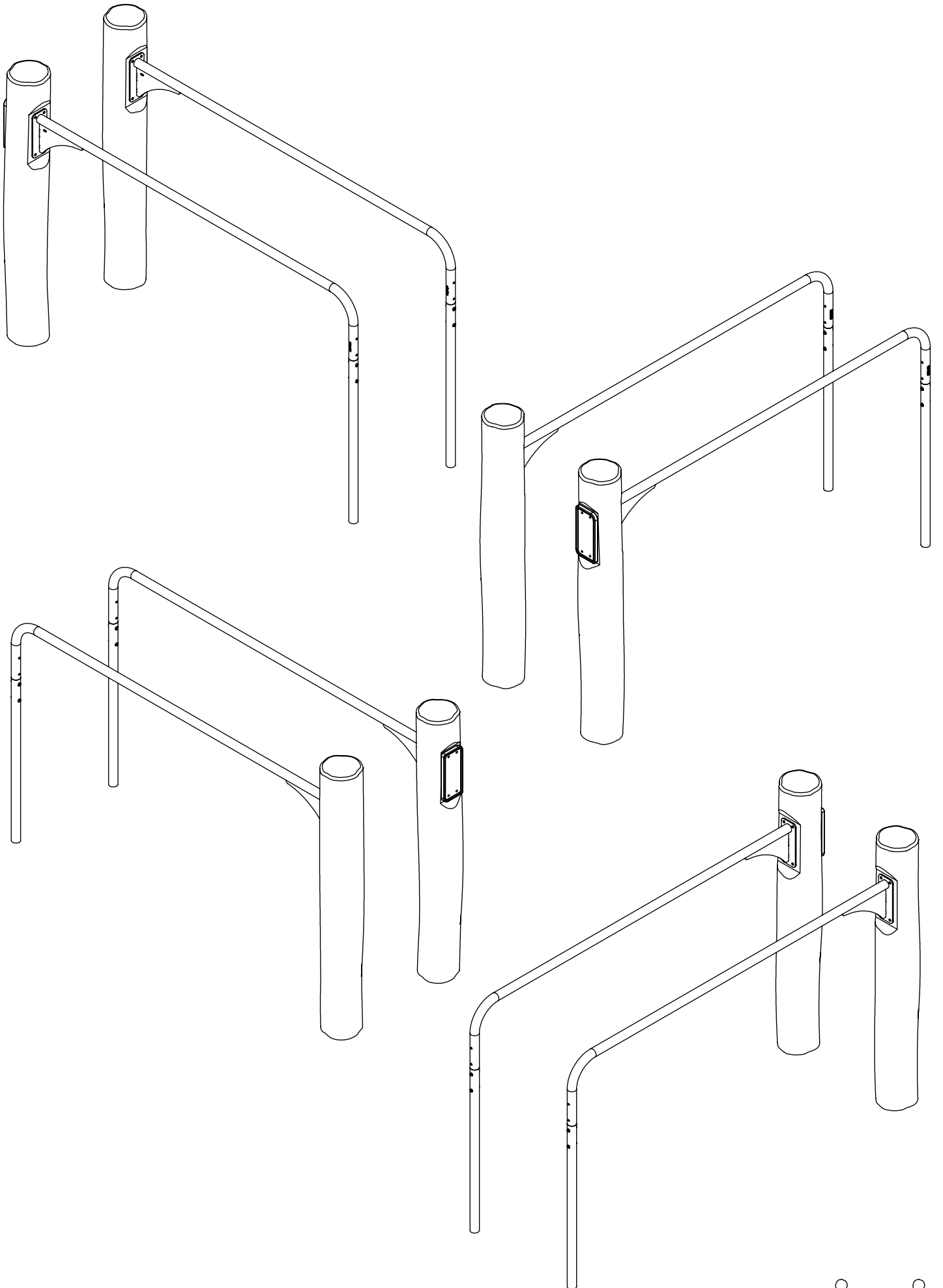


# RB2302



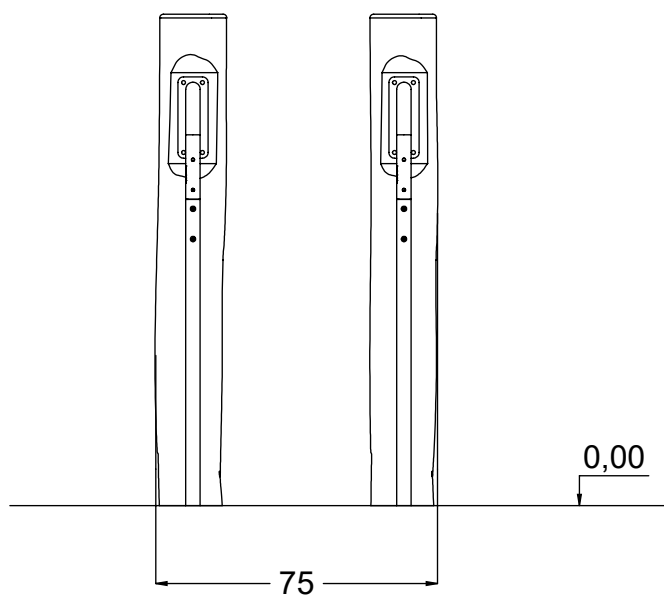
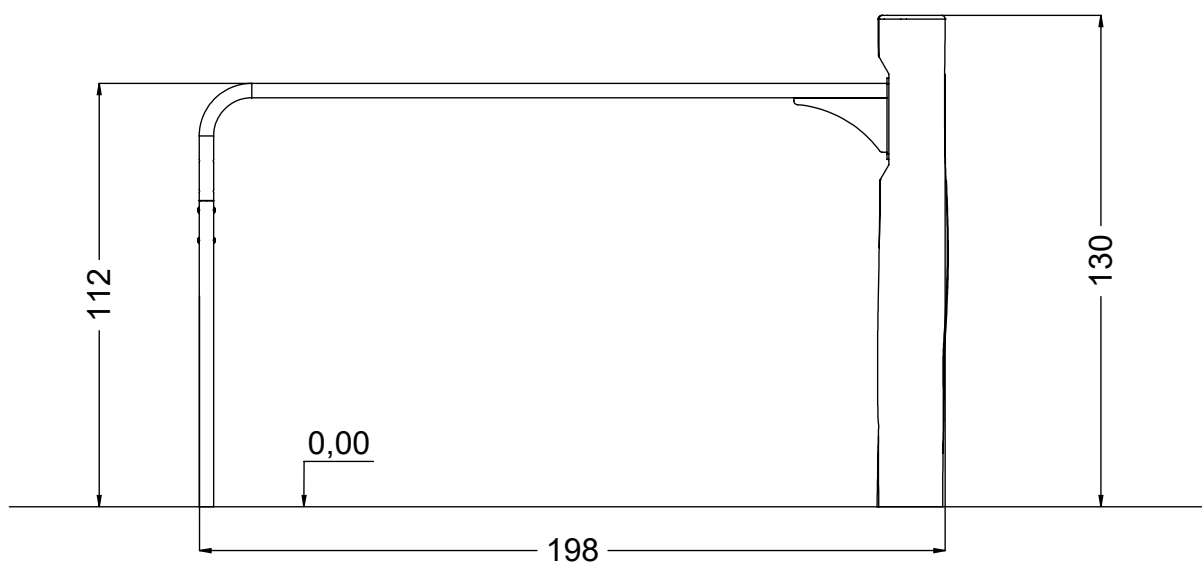
v011  
10.02.2022  
D. P.  
[cm]

vinci  
play



[cm]

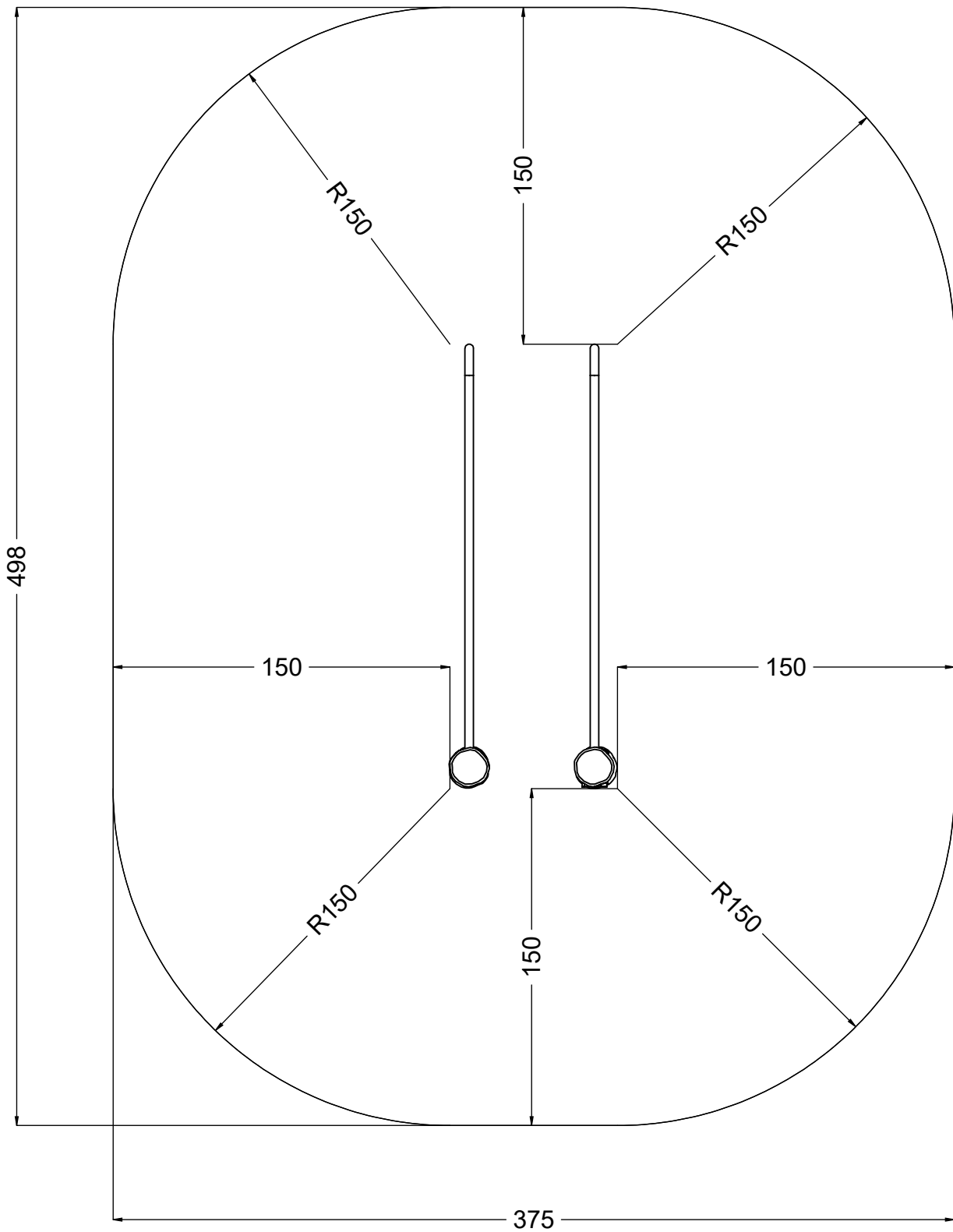
vinci  
play



[cm]



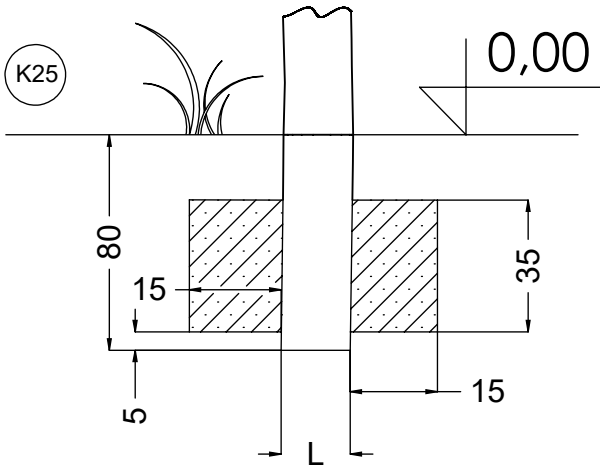
vinci  
play



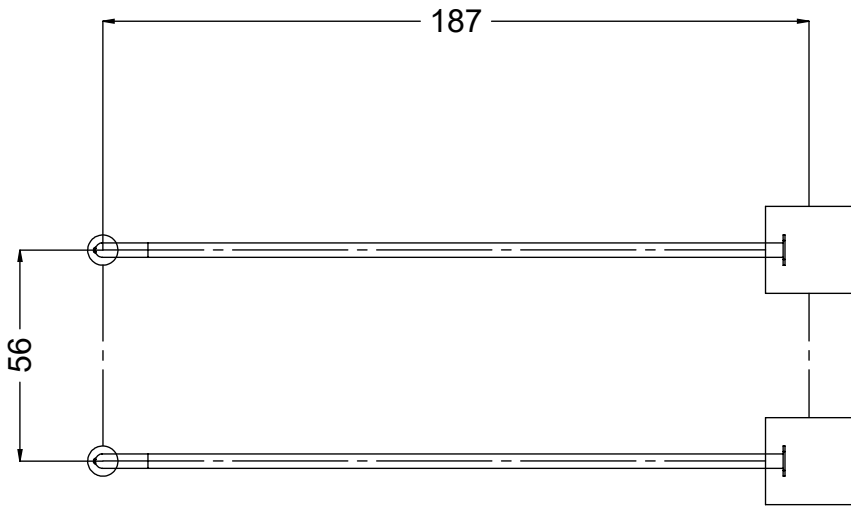
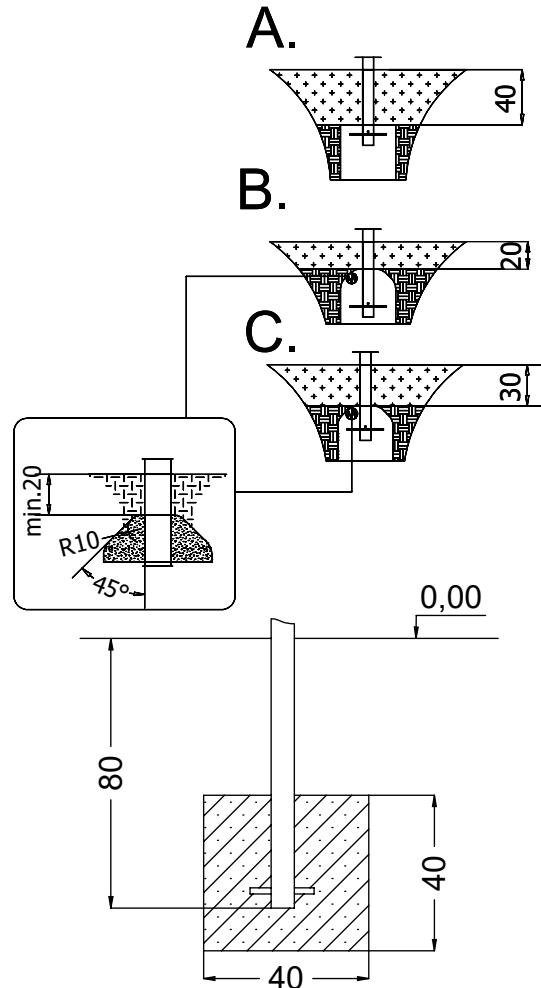
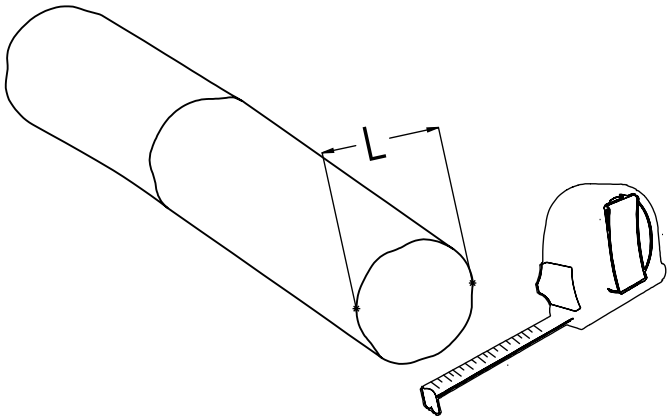
[cm]



vinci  
play



48h



[cm]

x2  
 1,5h  
  
  
 48h  
  
 K25  
 x4  
 >0,06m<sup>3</sup>

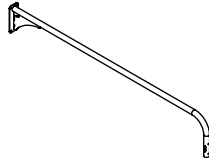
vinci play



127598 (A)  
x1



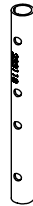
127599 (B)  
x1



232102  
x2

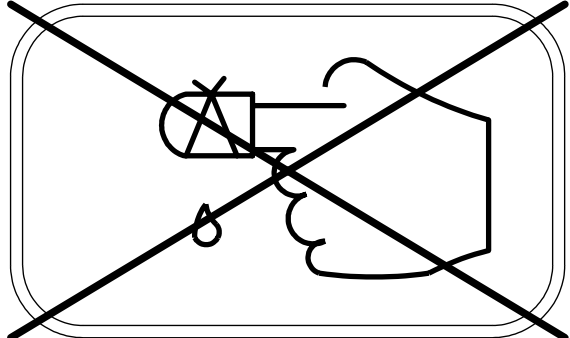
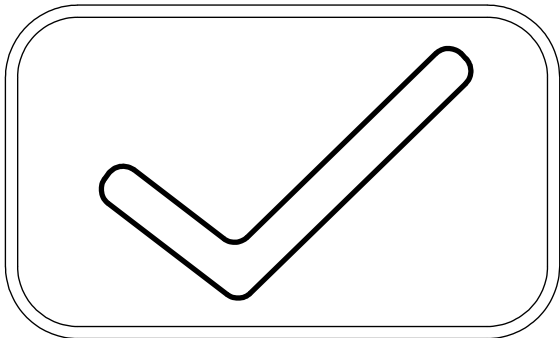
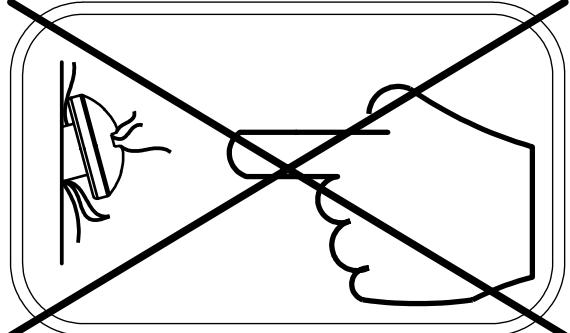
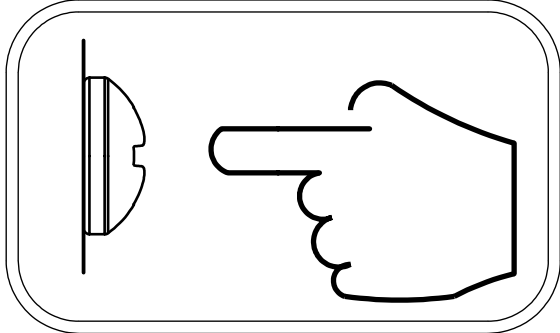
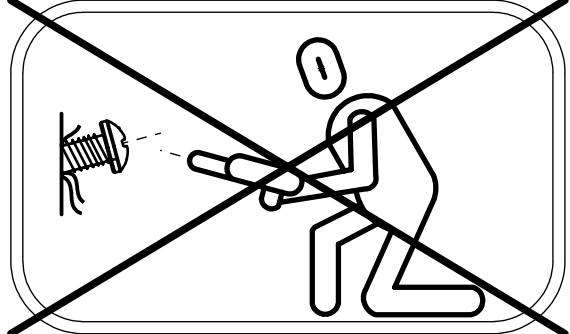
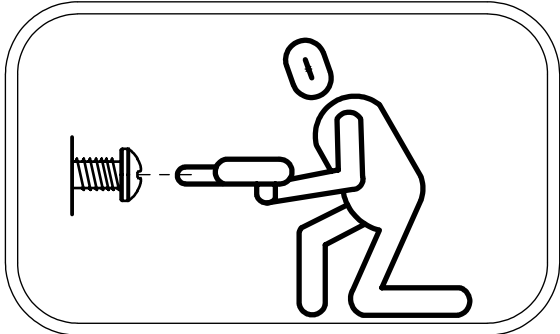


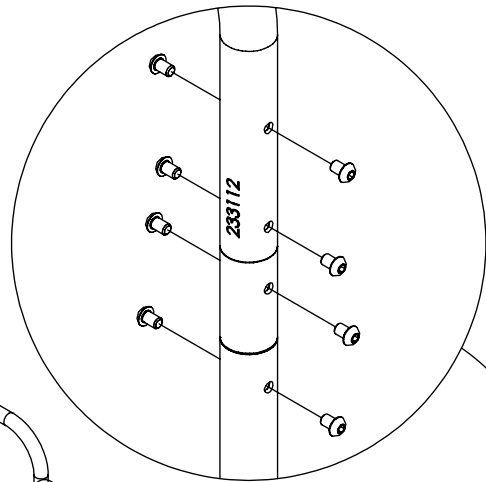
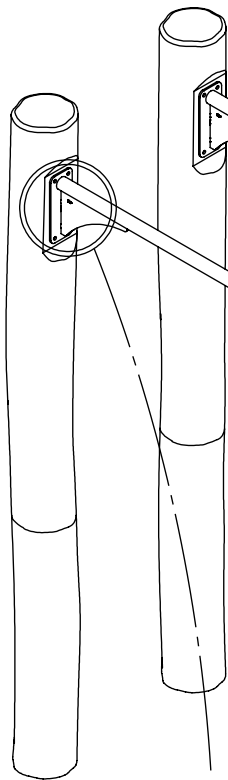
233120  
x2



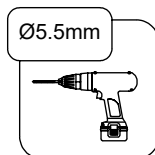
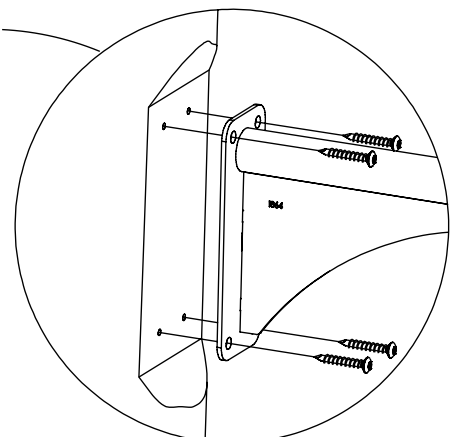
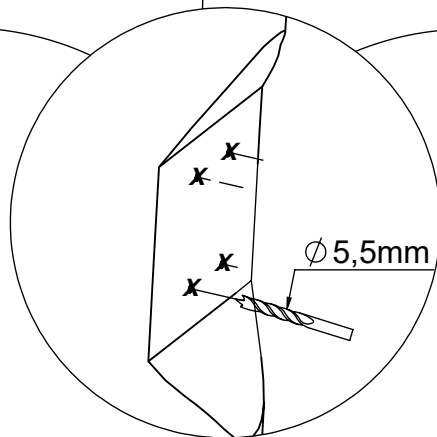
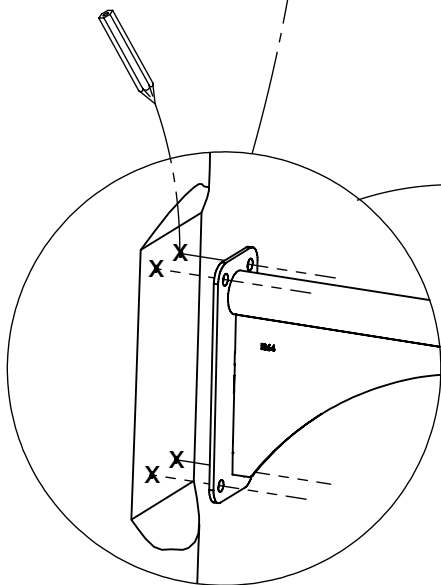
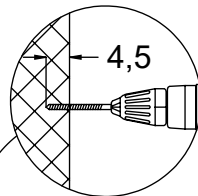
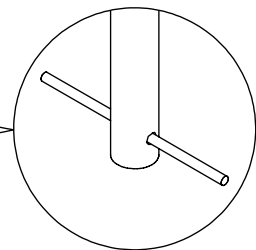
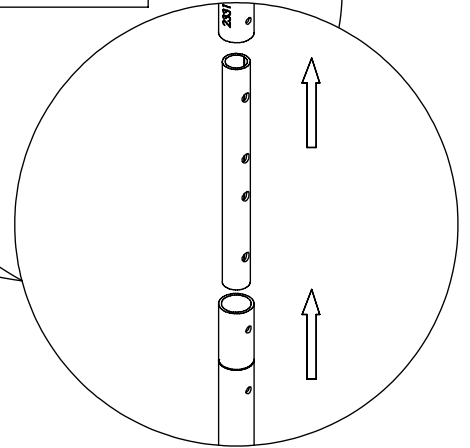
233118  
x2

12x	8x50sxi
16x	M8x16
1x	126302
1x	231101





16x M8x16

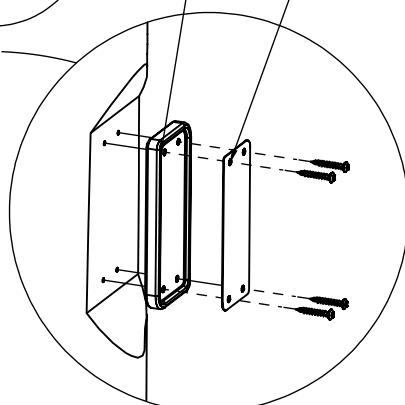
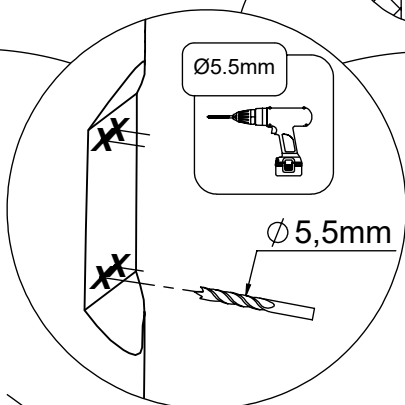
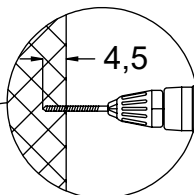
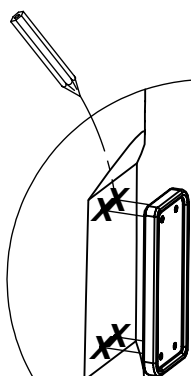


8x 8x50sxi

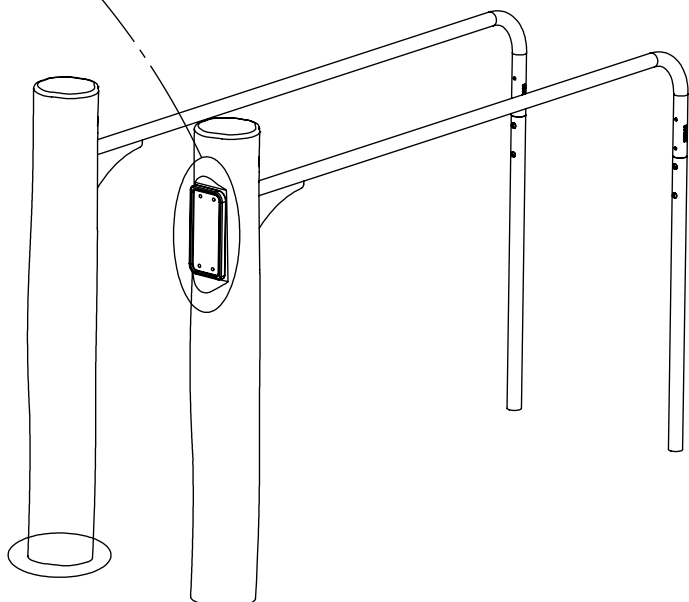
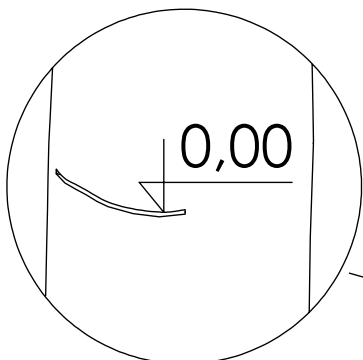
[cm]

vinci  
play





4x **8x50sxi**



**Part No:**  
**000000-**  
**00000**

000000-00000

[cm]

vinci  
play