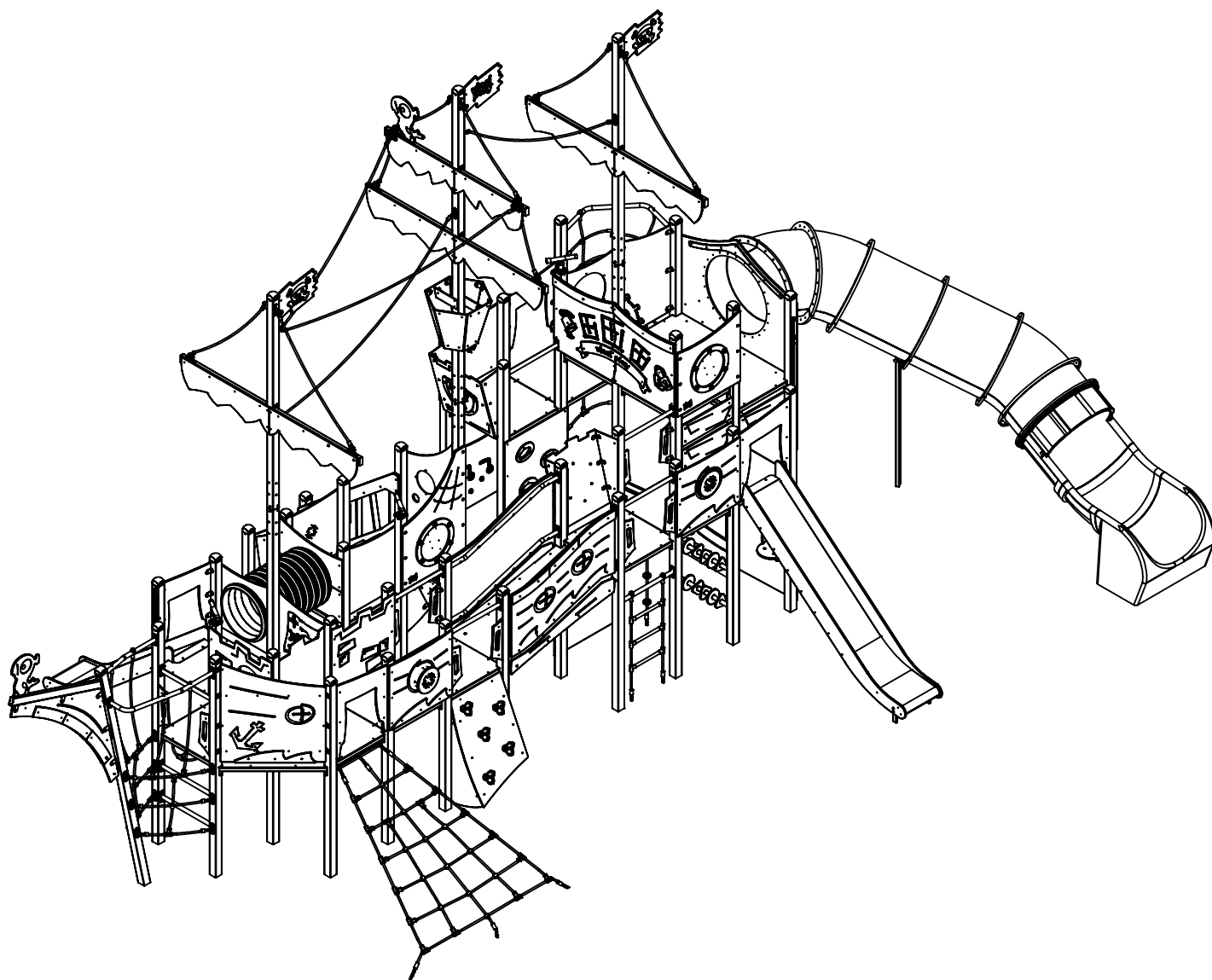



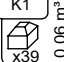
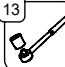

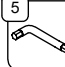
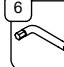








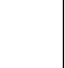



S2

3080



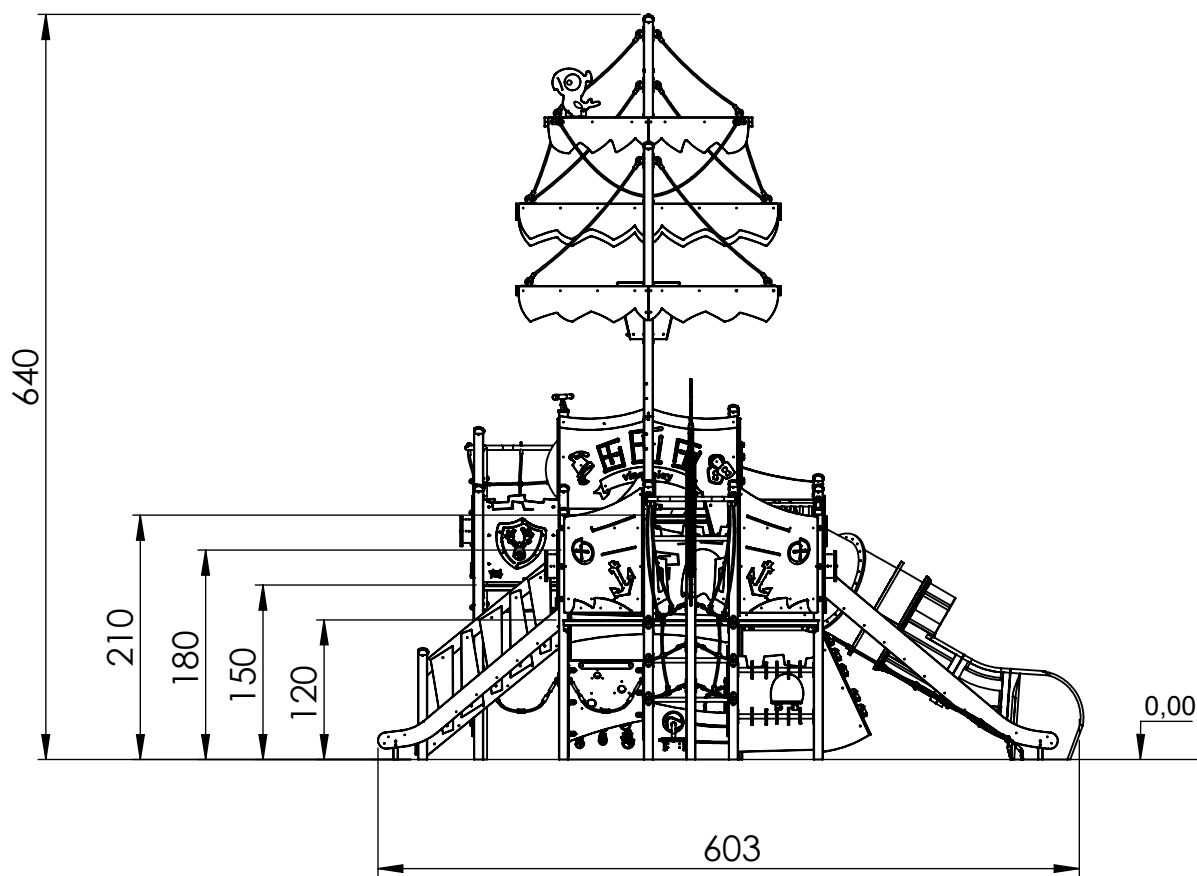
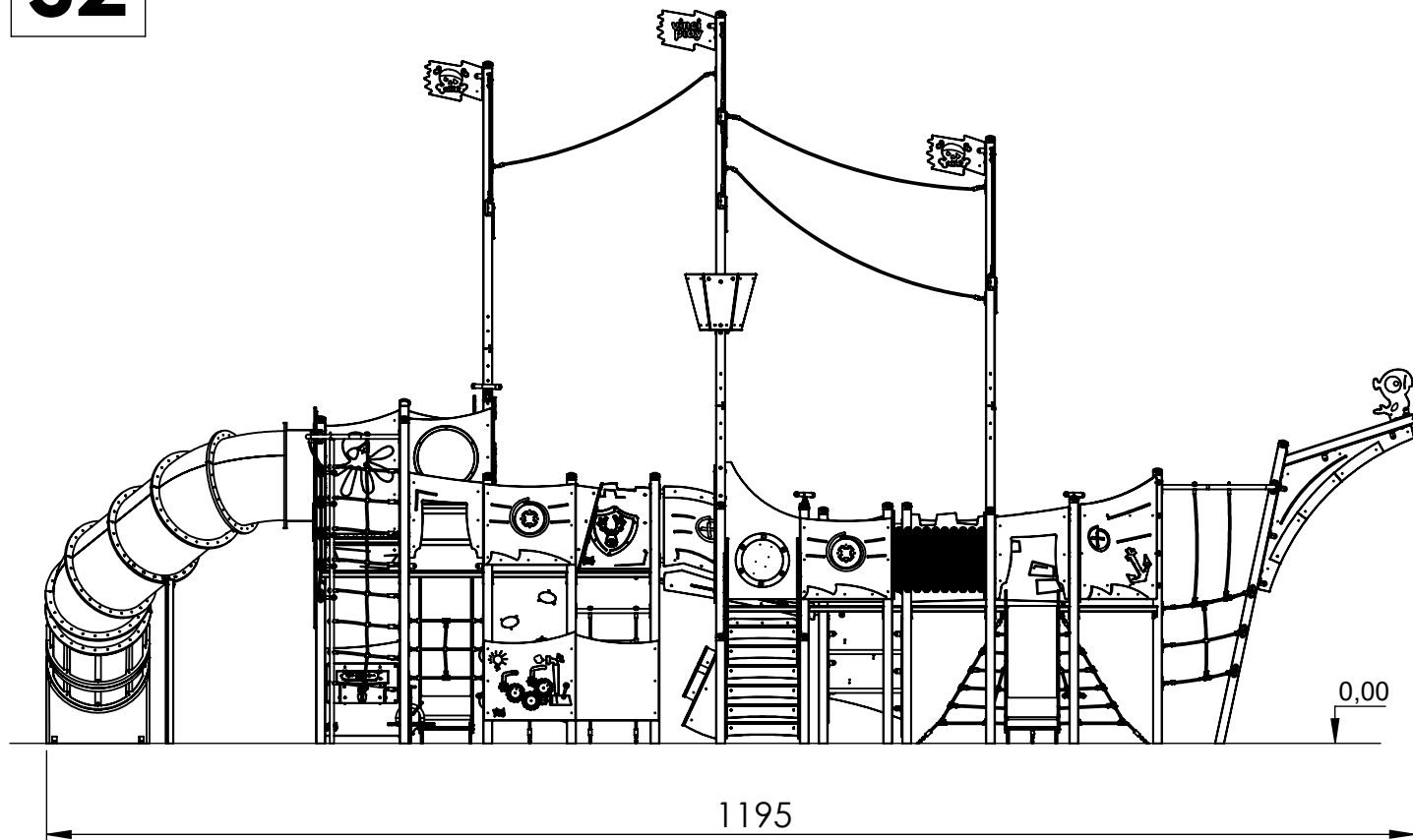
 x5	24h	270 HIC		48h		PZ1		K1 x39	0,06 m ³	K23 x3	0,14 m ³	K2 x42	>0,02m ³
													

[cm]

v013 / 20.12.2021
D.P.

vinci
play

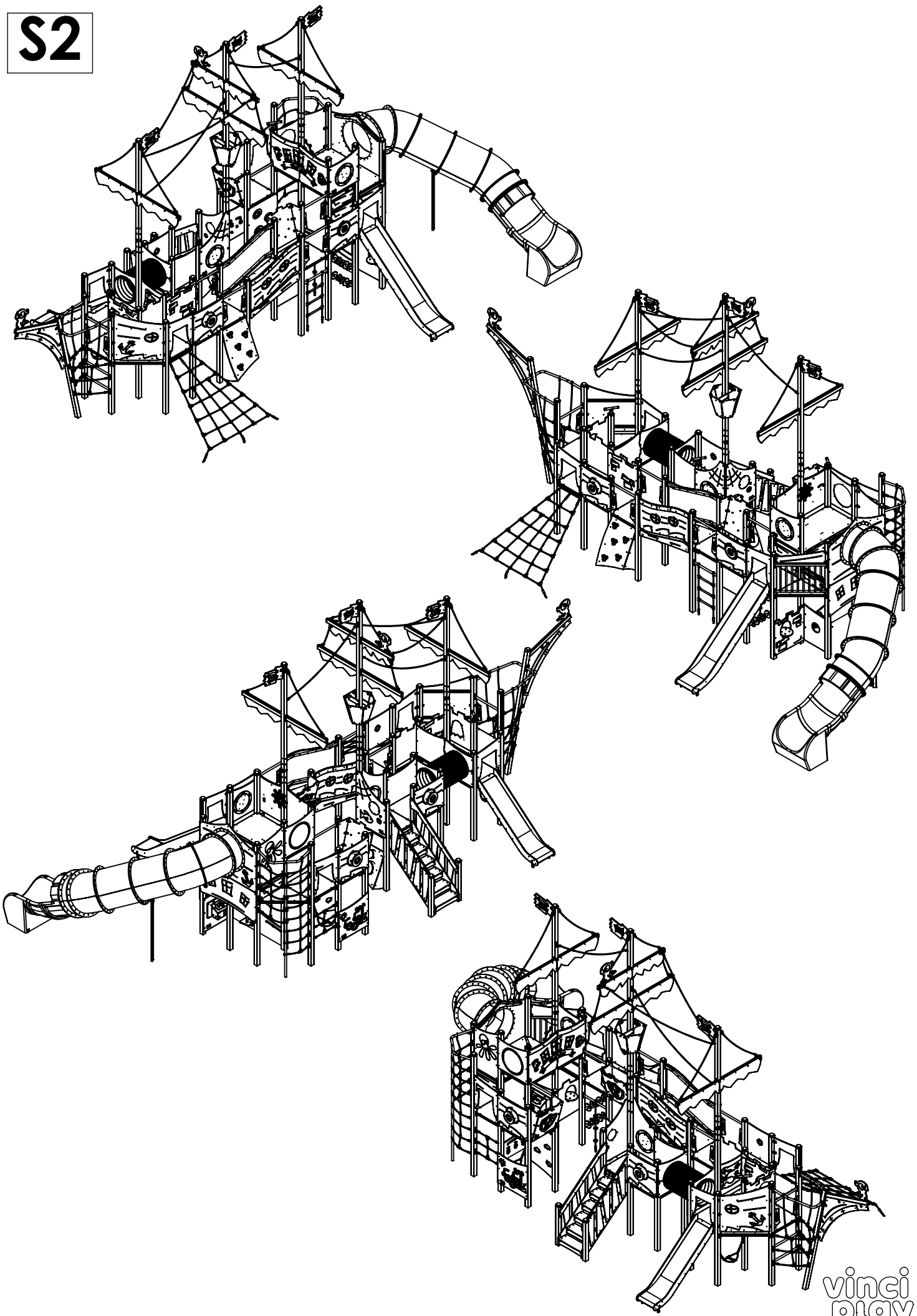
S2

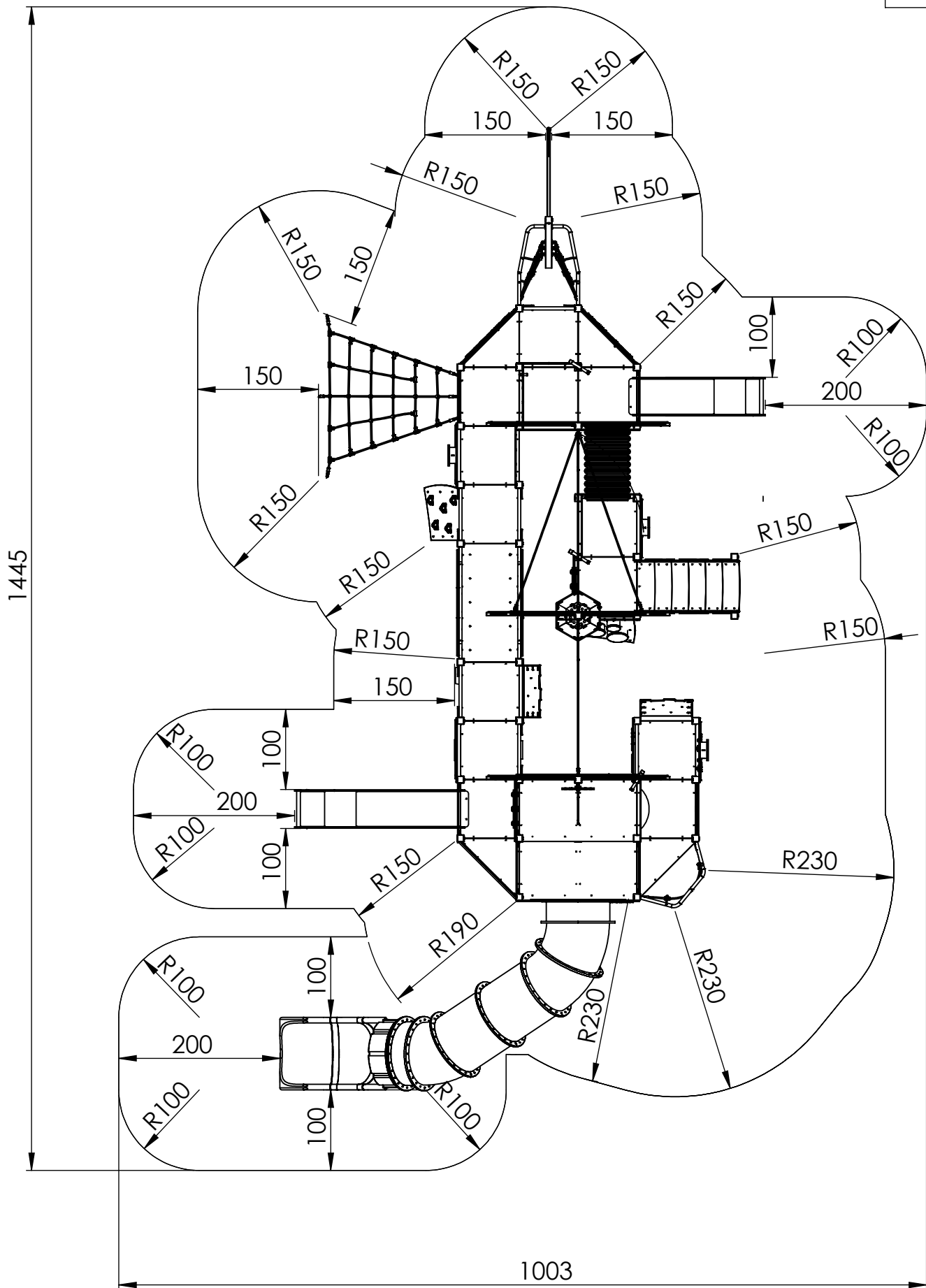


[cm]

vinci
play

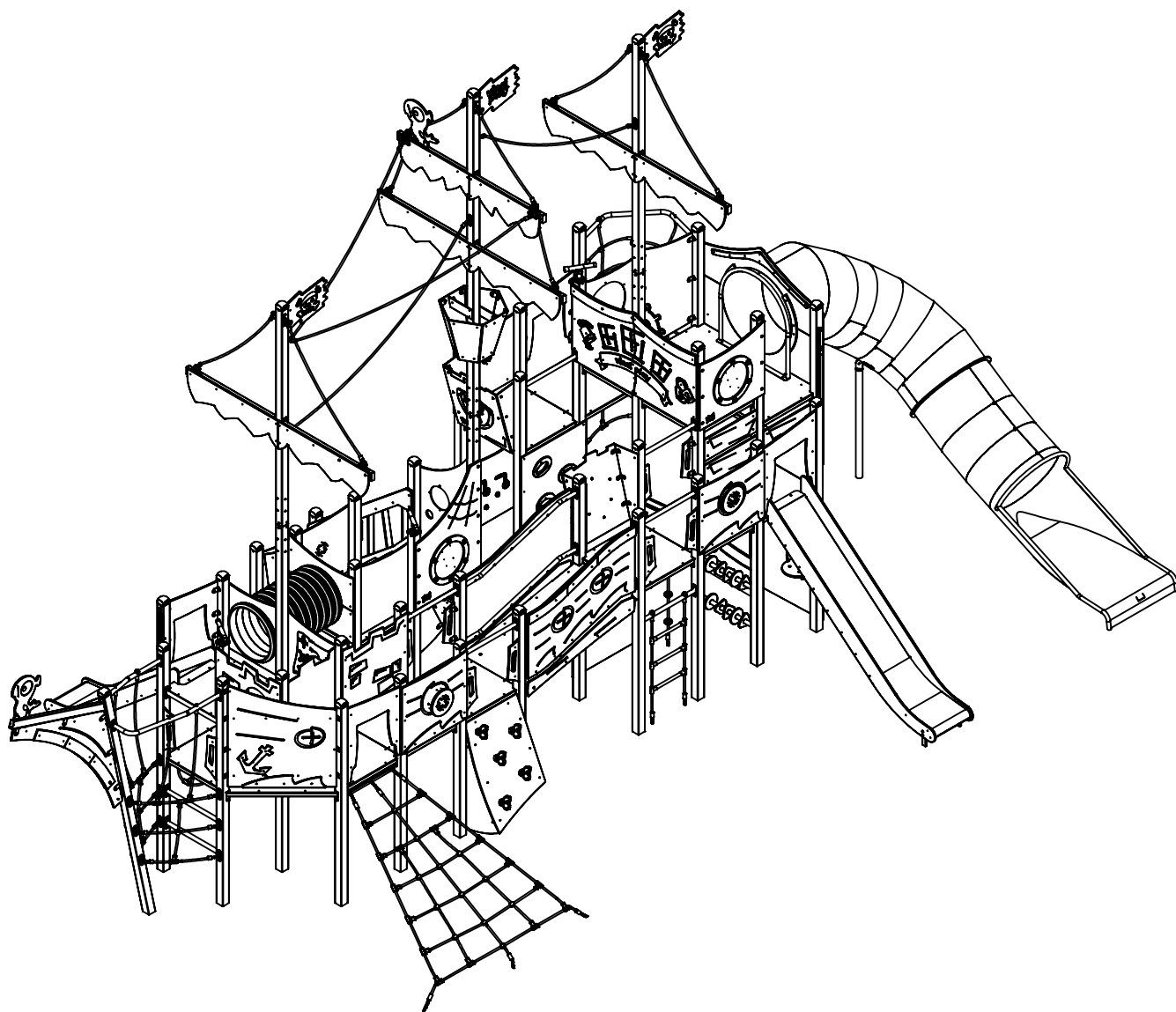
S2





S3

3080

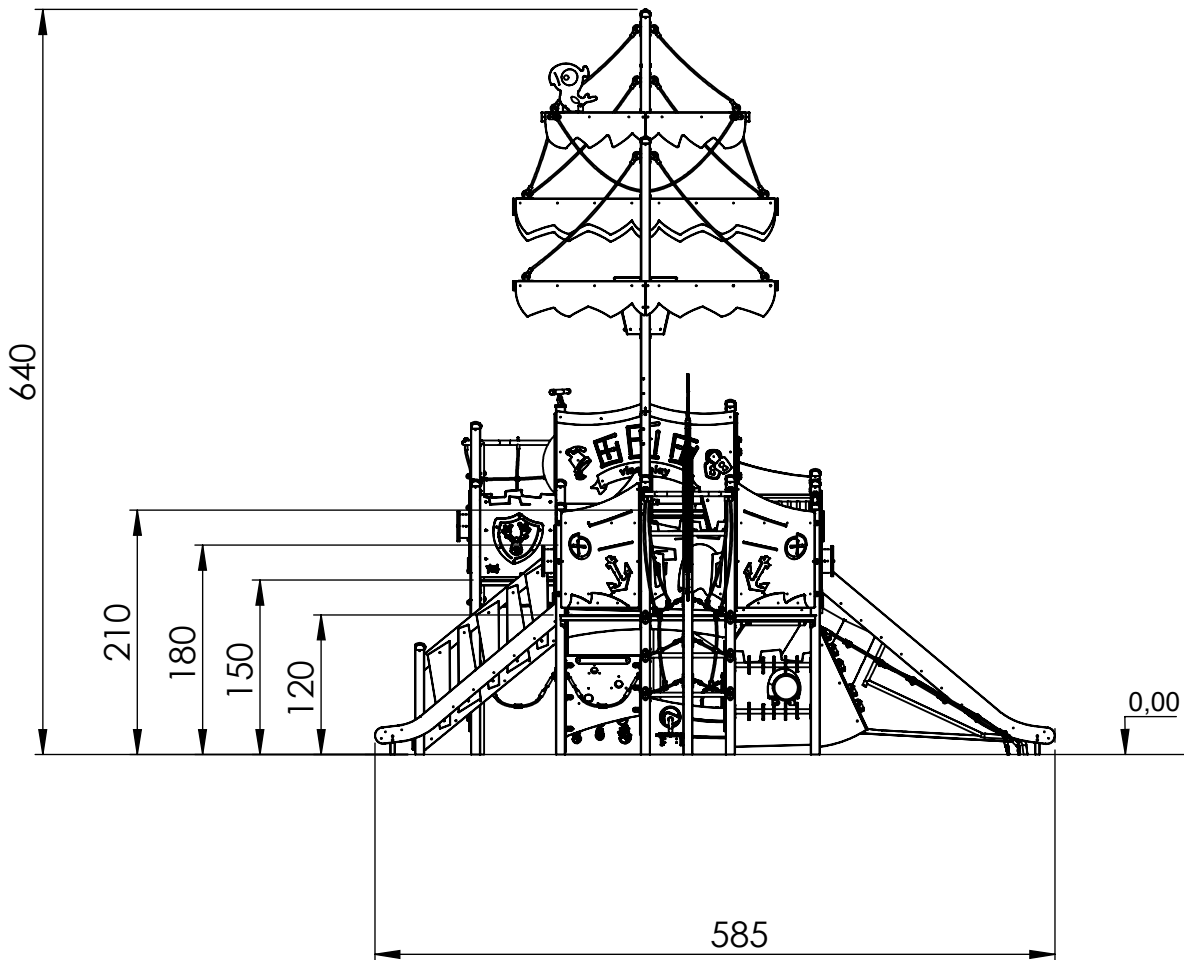
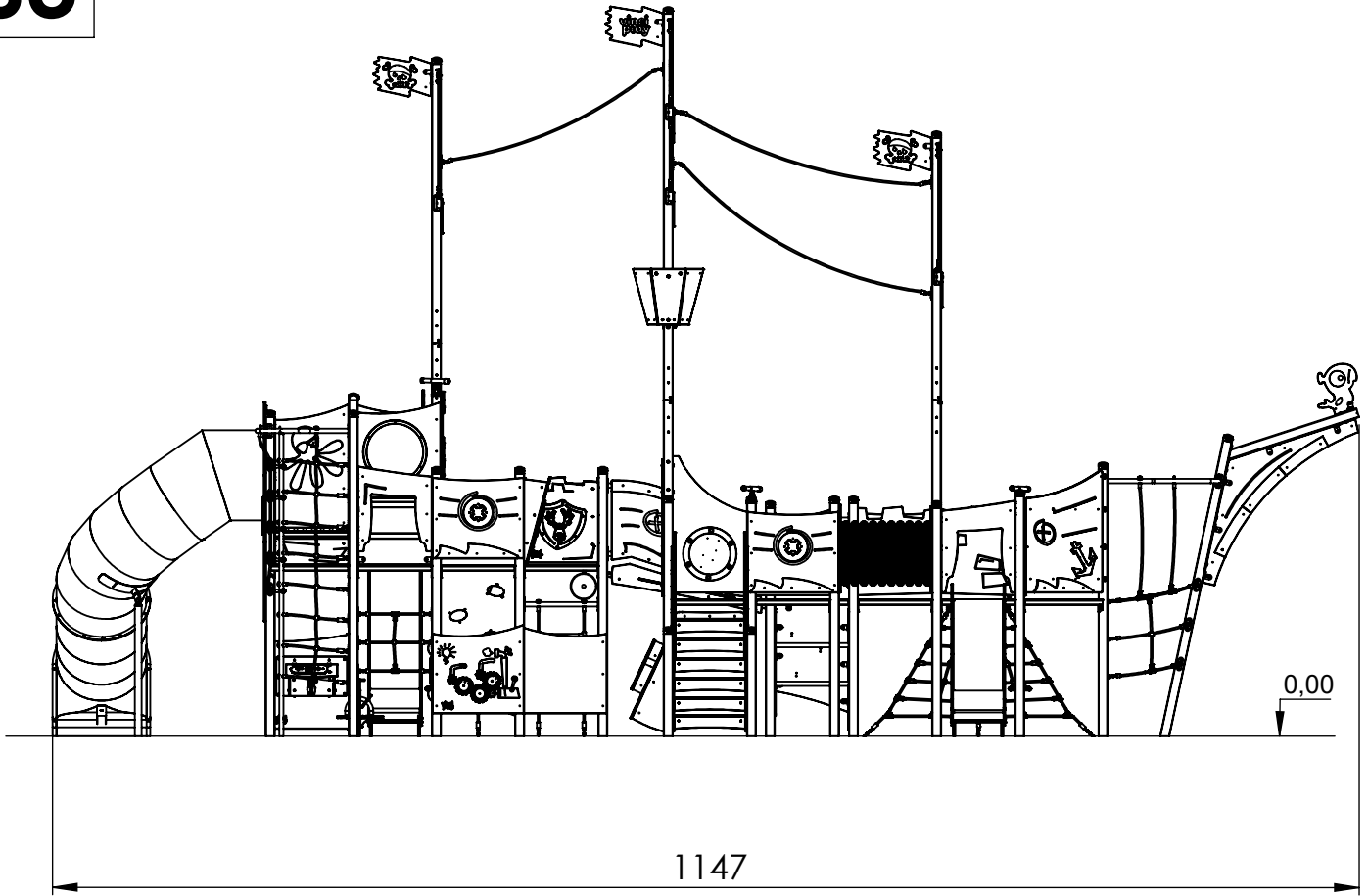


x5	24h	270 HIC		48h	PZ1	K1 x39 0,06 m ³	K23 x3 0,14 m ³	K2 x42 >0,02m ³
13	17	5	6					

[cm]

vinci
play

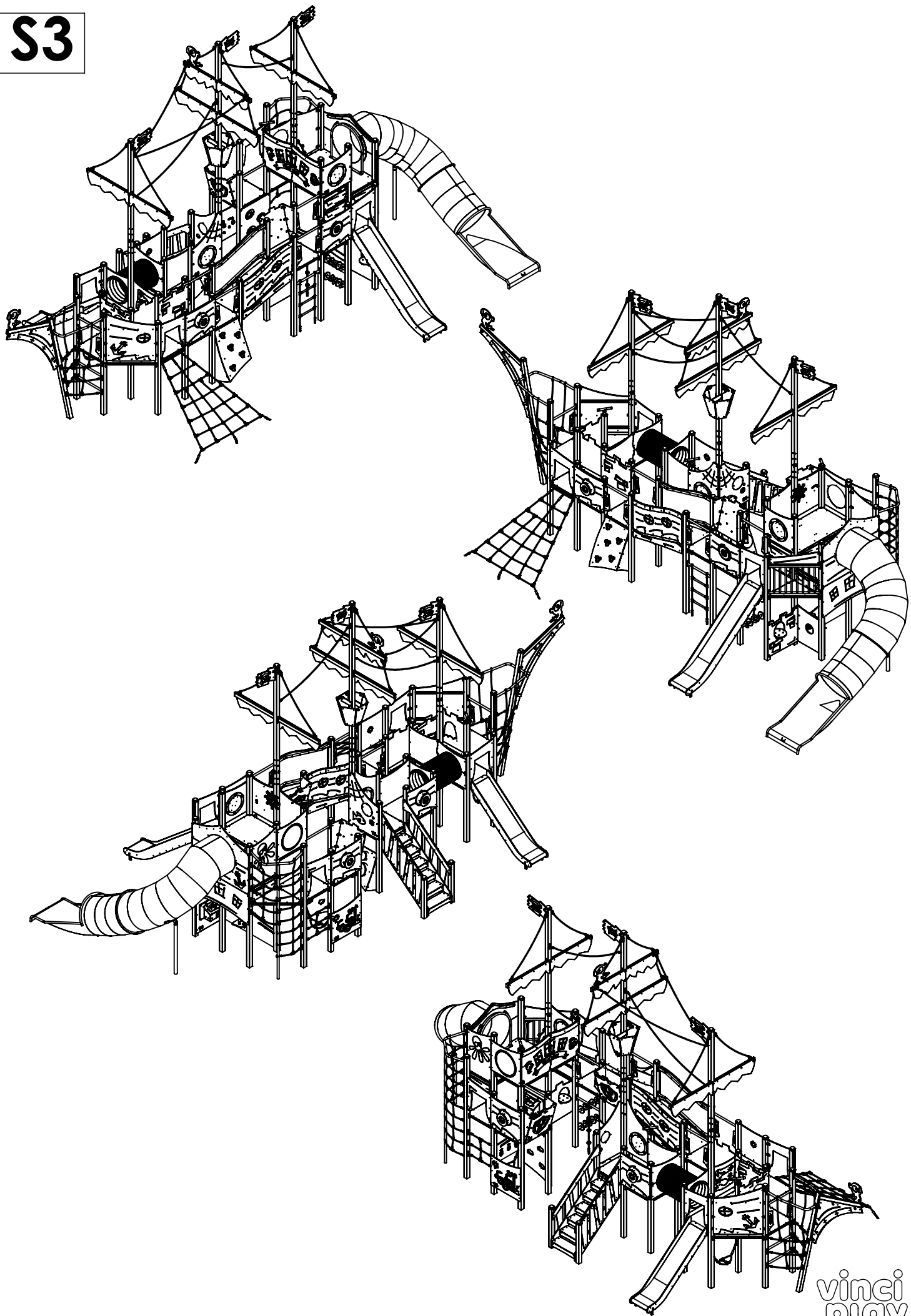
S3

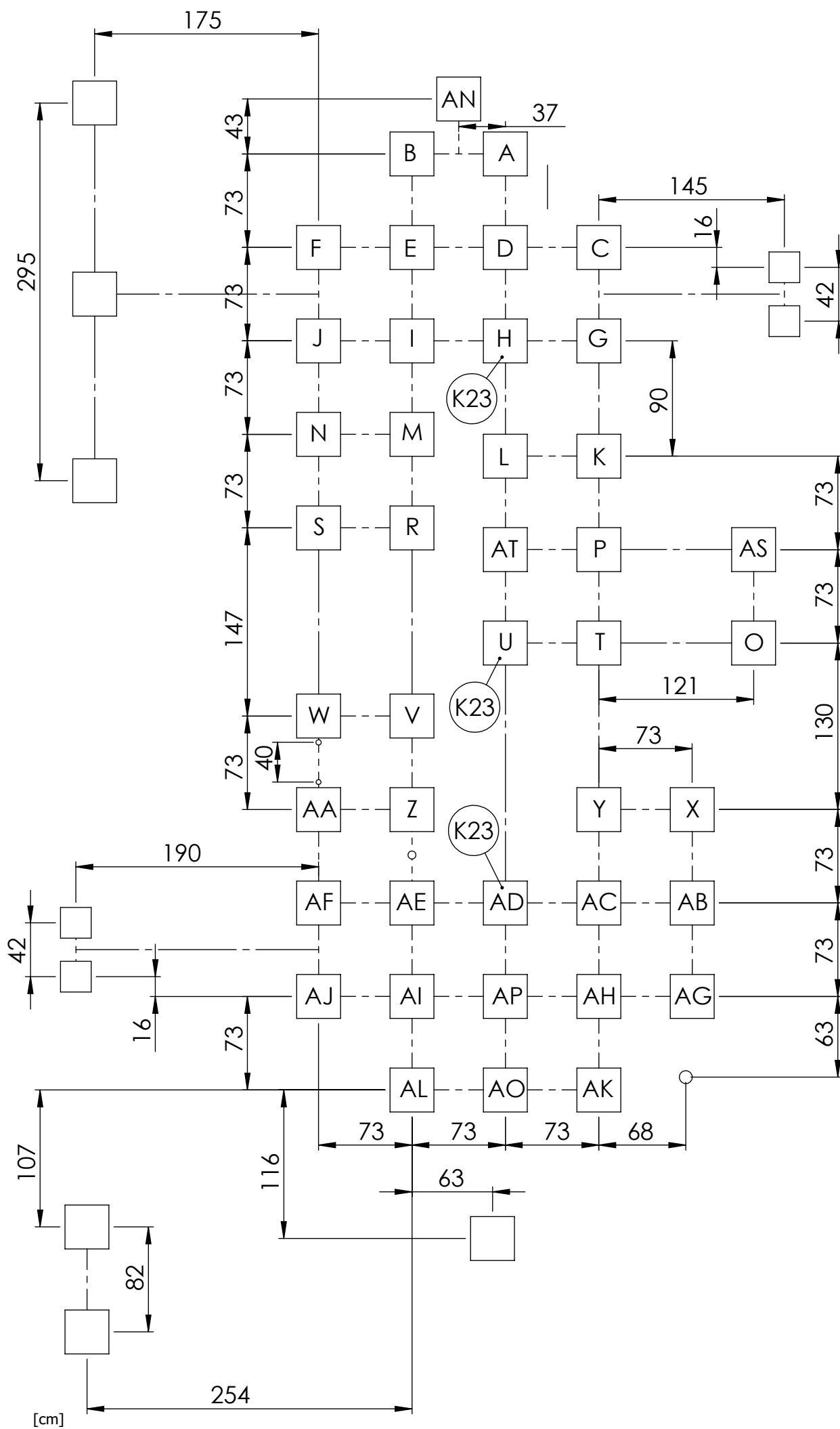


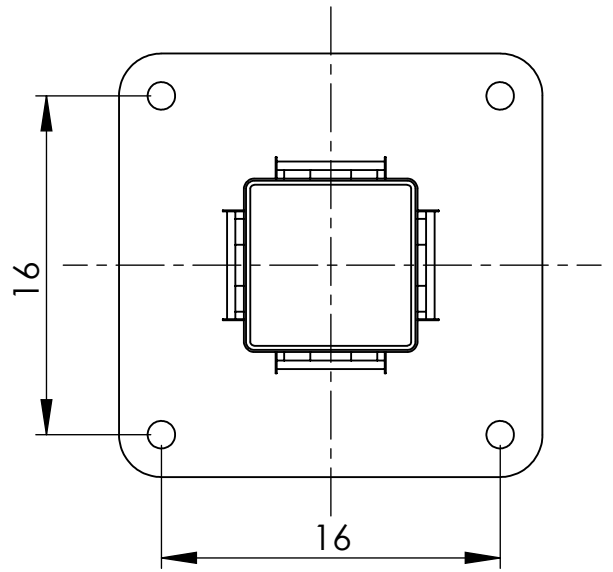
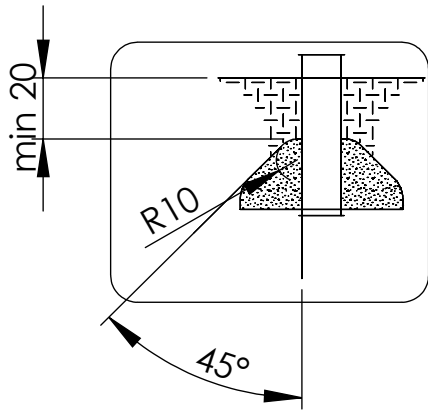
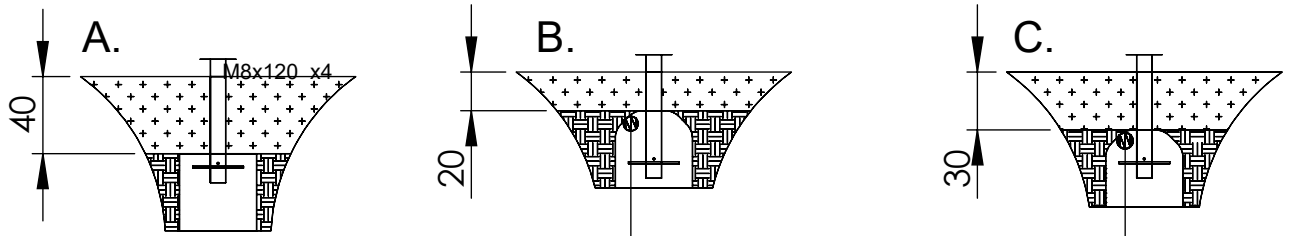
[cm]

vinci
play

S3





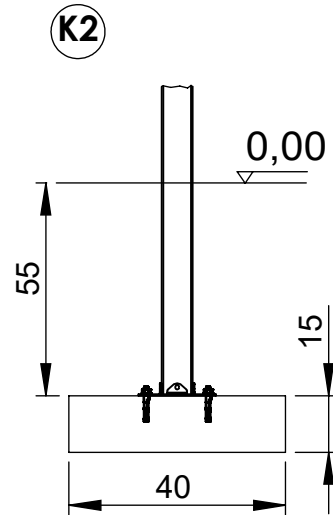
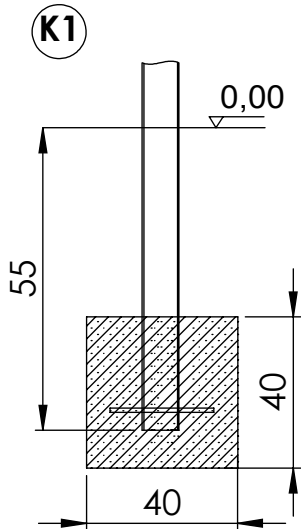
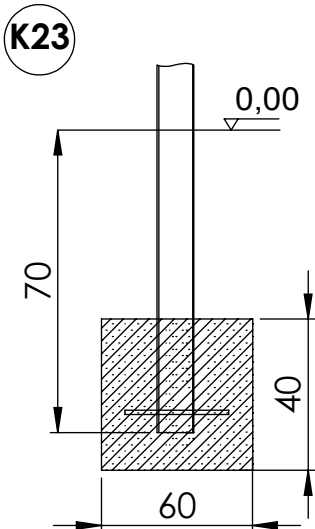
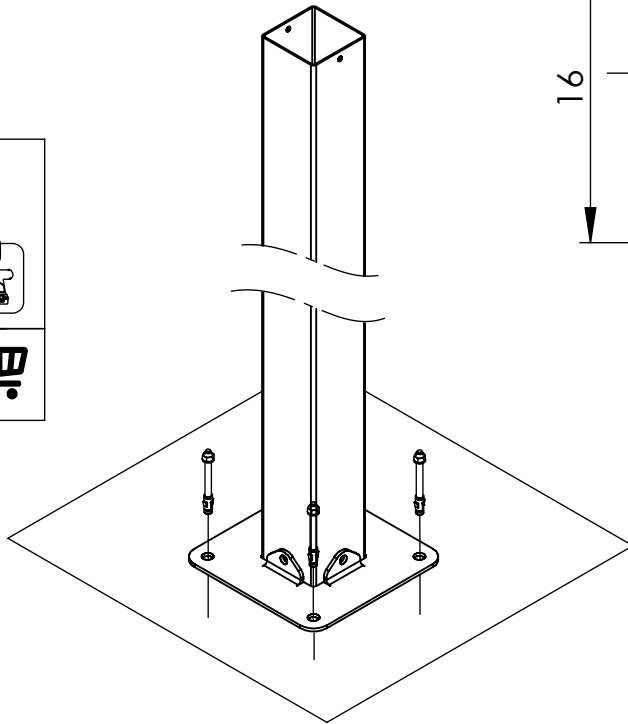


K2

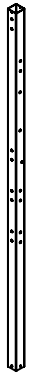
M10x120 x164

Ø8
Ø10

NOT INCLUDED



[cm]



3080-A
x1



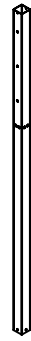
3080-B
x1



3080-C
x1



3080-D
x1



3080-E
x1



3080-F
x1



3080-G
x1



3080-H
x1



3080-I
x1



3080-J
x1



3080-K
x1



3080-L
x1



3080-M
x1



3080-N
x1



3080-O
x1



3080-P
x1



3080-R
x1



3080-S
x1



3080-T
x1



3080-U
x1



3080-V
x1



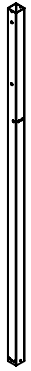
3080-W
x1



3080-X
x1



3080-Y
x1



3080-Z
x1



3080-AA
x1



3080-AB
x1



3080-AC
x1



3080-AD
x1



3080-AE
x1



3080-AF
x1



3080-AG
x1



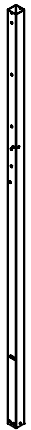
3080-AH
x1



3080-AI
x1



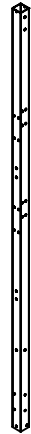
3080-AJ
x1



3080-AK
x1



3080-AL
x1



3080-AM
x1



3080-AN
x1



3080-AO
x1



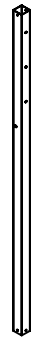
3080-AP
x1



3080-AR
x1



3080-AS
x1

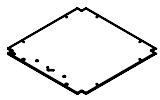
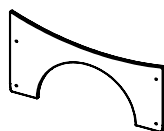


3080-AT
x1

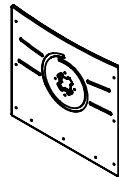
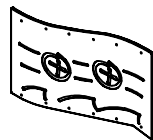
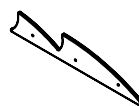
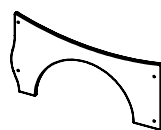
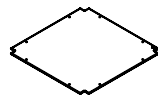
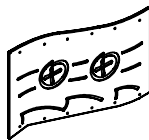
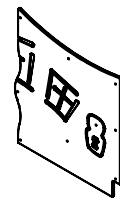
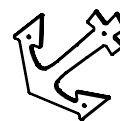
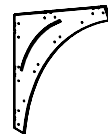
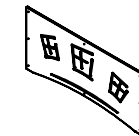
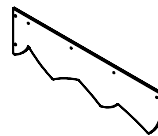
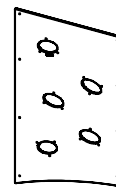
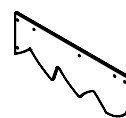
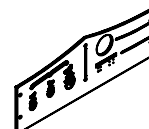
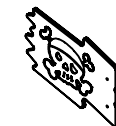
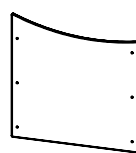
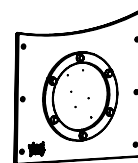


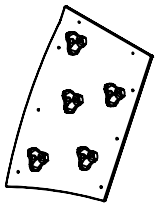
3080-AZ
x1

S1

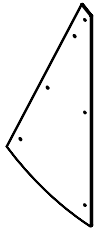
171122
x2301217
x1301241
x6301238
x1171160
x1

S6

171234
x2301215
x4301210
x2301220
x4171161
x1171233
x2301211
x1301237
x1141372
x6171211
x1171123
x11301212
x1301236
x1141155
x3171212
x1171141
x4301235
x1301222
x2171218
x1171210
x1301209
x1301219
x1301226
x6171137
x10171151
x1301234
x1301231
x1301227
x2171220
x1171152
x5301216
x3301213
x4301239
x2171138
x2174116
x1



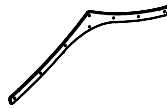
171111
x1



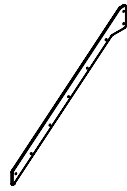
171109
x1



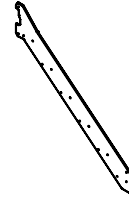
171110
x1



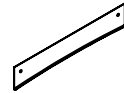
171257
x1



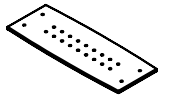
171129
x4



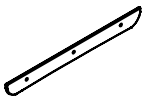
141342
x2



171132
x6



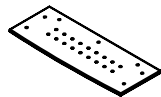
171131
x5



141345
x1



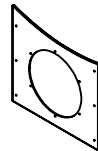
141341
x10



171131
x1



301221
x1



171124
x1



996184
x1



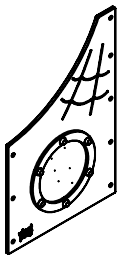
171219
x1



031652
x1



991106
x1



301260
x1



174112
x1



991108
x1



991109
x1



991107
x1



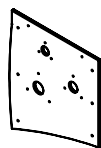
171127
x1



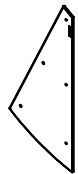
171125
x1



171126
x1



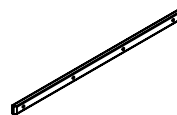
171119
x1



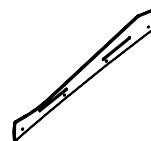
171117
x1



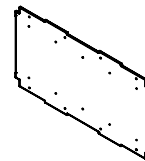
171118
x1



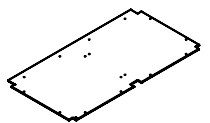
301243
x4



171136
x2



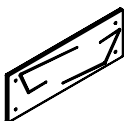
171135
x1



171255
x2



171146
x1



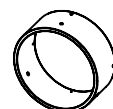
301159
x6



996230
x1



996228
x1



996229
x1



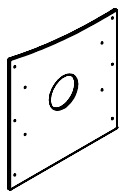
996414
x3



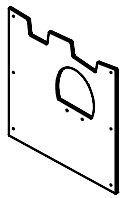
031570
x2



141137
x4



301214
x1



301127
x1



301147
x1



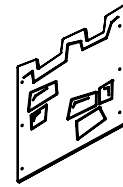
301242
x1



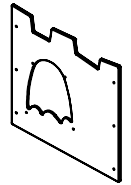
301131
x2



301148
x2



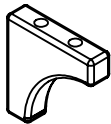
301126
x2



301208
x1



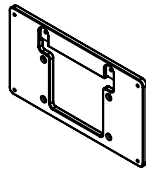
081286
x1



991250
x1



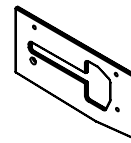
121162
x1



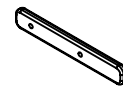
121151
x1



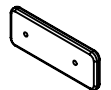
121157
x1



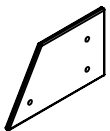
121158
x1



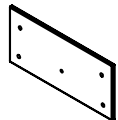
121156
x1



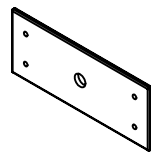
121155
x1



121159
x2



121160
x1



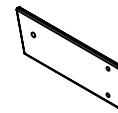
121161
x1



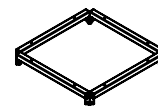
301230
x2



031563
x4



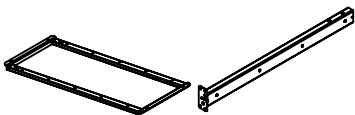
301229
x2



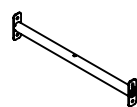
172100
x17



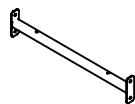
172101
x4



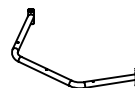
172106
x1



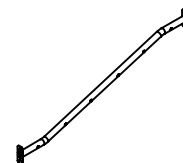
302144
x3



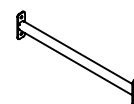
142116
x1



142137
x1

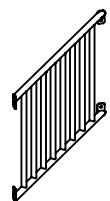


172115
x1



142142
x4

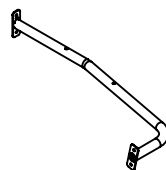
142117
x10



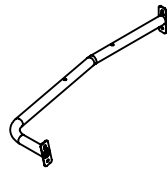
172116
x1



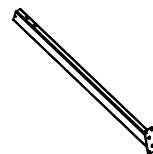
304104
x2



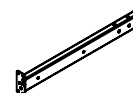
302141
x1



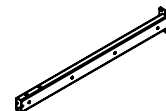
302142
x1



302143
x1



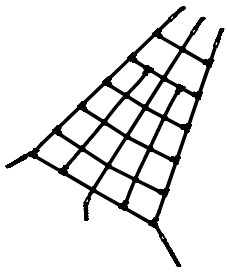
302146
x2



302145
x3



173127
x1



144245
x1



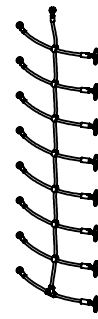
305111
x1



305112
x1



175106
x1



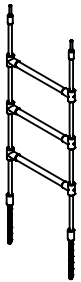
175108
x1



175109
x1



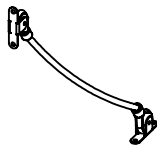
145242
x1



145102
x1



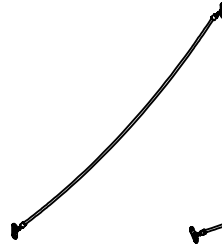
305105
x4



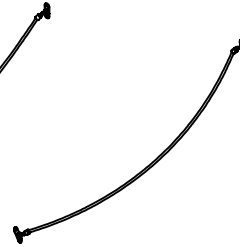
305106
x2



305107
x2



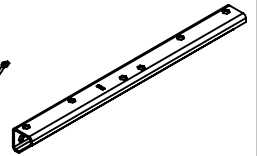
305108
x1



305109
x1



305110
x2



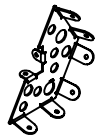
i390
x6



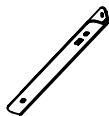
i391
x4



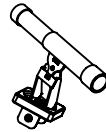
i93
x1



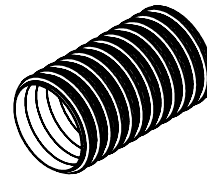
i388
x2



b341
x1



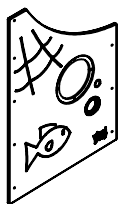
174136
x3



996132
x1



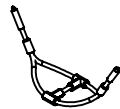
082149
x1



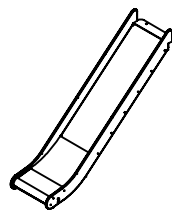
301259
x1



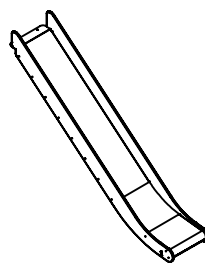
301262
x1



174128
x2



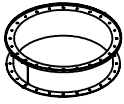
994104
x1



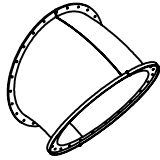
994105
x1

ST	INOX
302143	302137
302144	302139
302145	302138
302146	302140

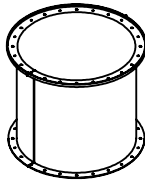
S2



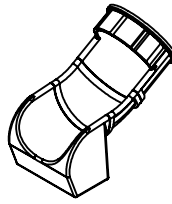
996419
x2



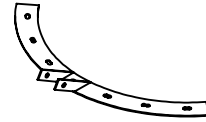
996420
x3



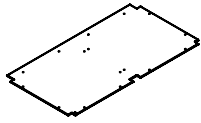
996421
x2



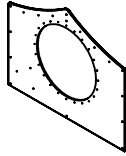
996422
x1



992267
x1



171255
x1



301264
x1

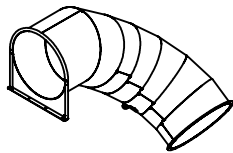


x1

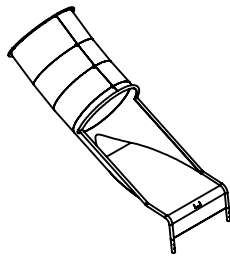


x2

S3



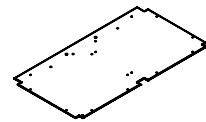
030.180.090.R.35.1
x1



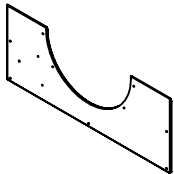
030.180.090.R.35.2
x1



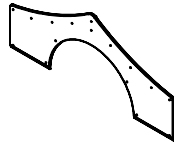
030.000.114
x1



171298
x1



171296
x1



171297
x1



171299
x2



303119
x2

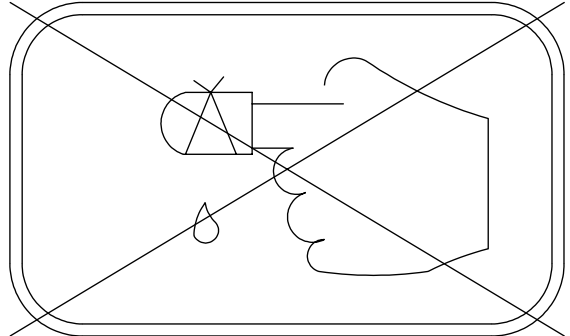
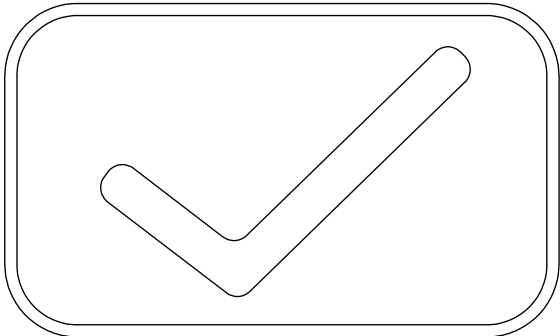
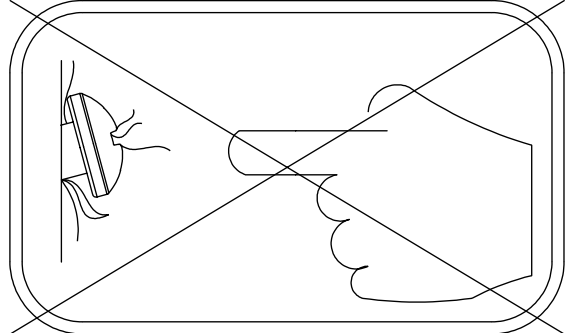
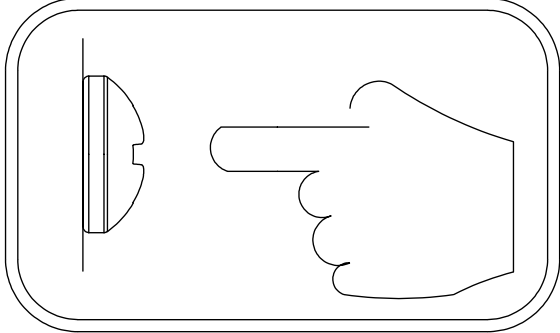
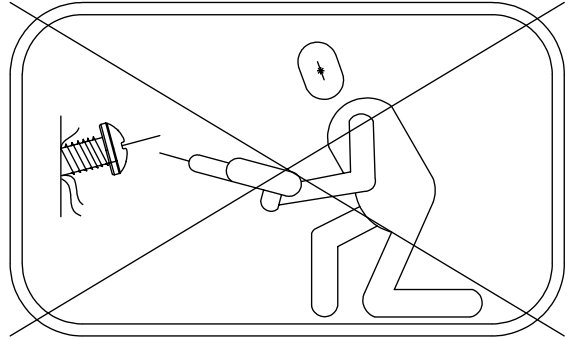
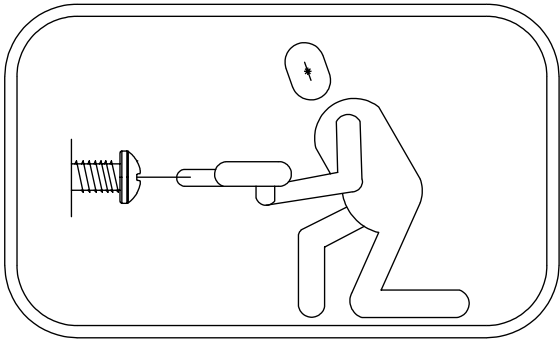
Qty.	ST/INOX
164	10 pp _{K2,K3}
164	10 nh _{K2,K3}
164	10x20 m _{K2,K3}
478	10x25 ikl
14	10x30 ikl
10	10x40 ikl
2	10x20 ikl
352	10 pp
6	8 pp
109	8x25 ikl
142	8x30 ikl
2	30e034 _{K1,K3}
2	30e035 _{K2}
1	30e038 _{K2,K3}
1	12e054
1	17e026
1	30e011
3	30e012
1	30e016
1	30e019
6	30e023
10	30e030
1	30e039
2	30e050
1	30e051
6	30e052
11	30e066
1	30e067
1	30e075
1	30e076
1	30e078
3	30e079
2	30e081
2	30e082
1	WD91
1	V001

Qty.	HDPE
1	17c106
11	30c004
1	30c010
2	30c012
1	30c018
1	30c026
1	30c030
1	30c076
1	30c078
9	30c080
1	30c082
1	30c084
1	30c086
2	30c114
1	30c120
1	30c128
2	30c130
4	30c132
1	30c134
2	30c136
1	30c138
2	30c140
1	30c146
3	30c150
1	30c156
1	30c166
2	WD138

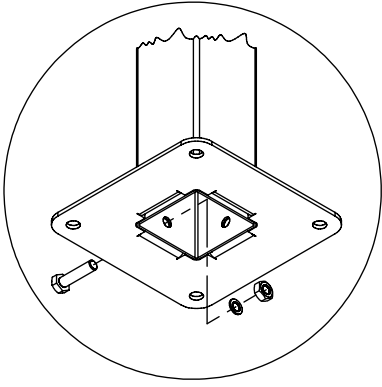
Qty.	HPL
1	30p003
8	30p005
12	30p007
1	30p013
1	30p015
2	30p017 _{S1}
2	30p019 _{S6}
1	30p021
1	30p023
1	30p029
1	30p037
5	30p039
2	30p061 _{S6}
6	WD97
1	WD103

Qty.	S2
5	30e090
1	30e091
1	30e092
1	30e093
1	30e095
1	30e096
1	30c156

Qty.	S3
1	30e002
1	30e003
1	30e010
2	30e097
2	30p072



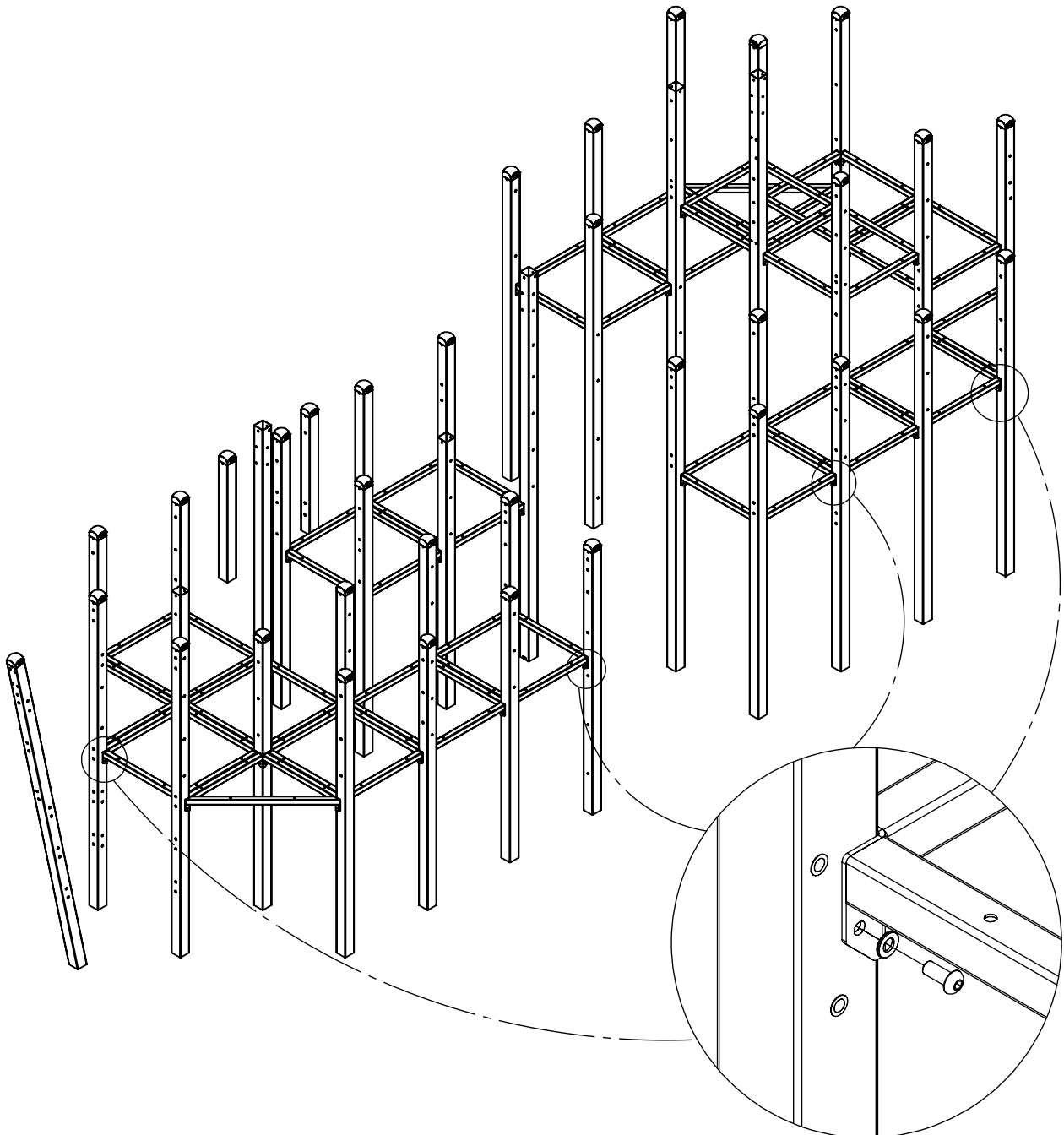
K2



164x 10x20m

164x 10pp

164x 10nh



160x 10x25ikl

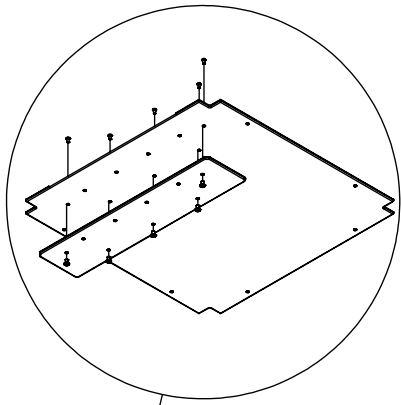
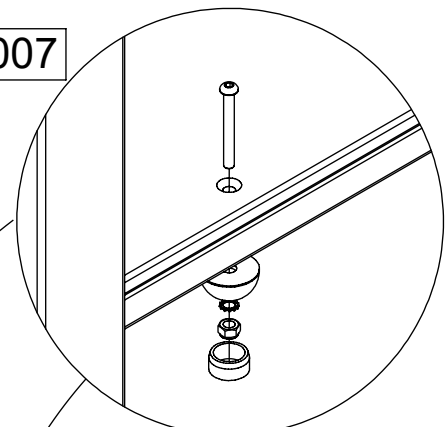
160x 10pp

[cm]

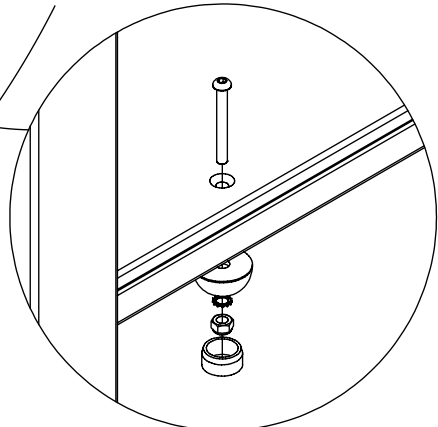
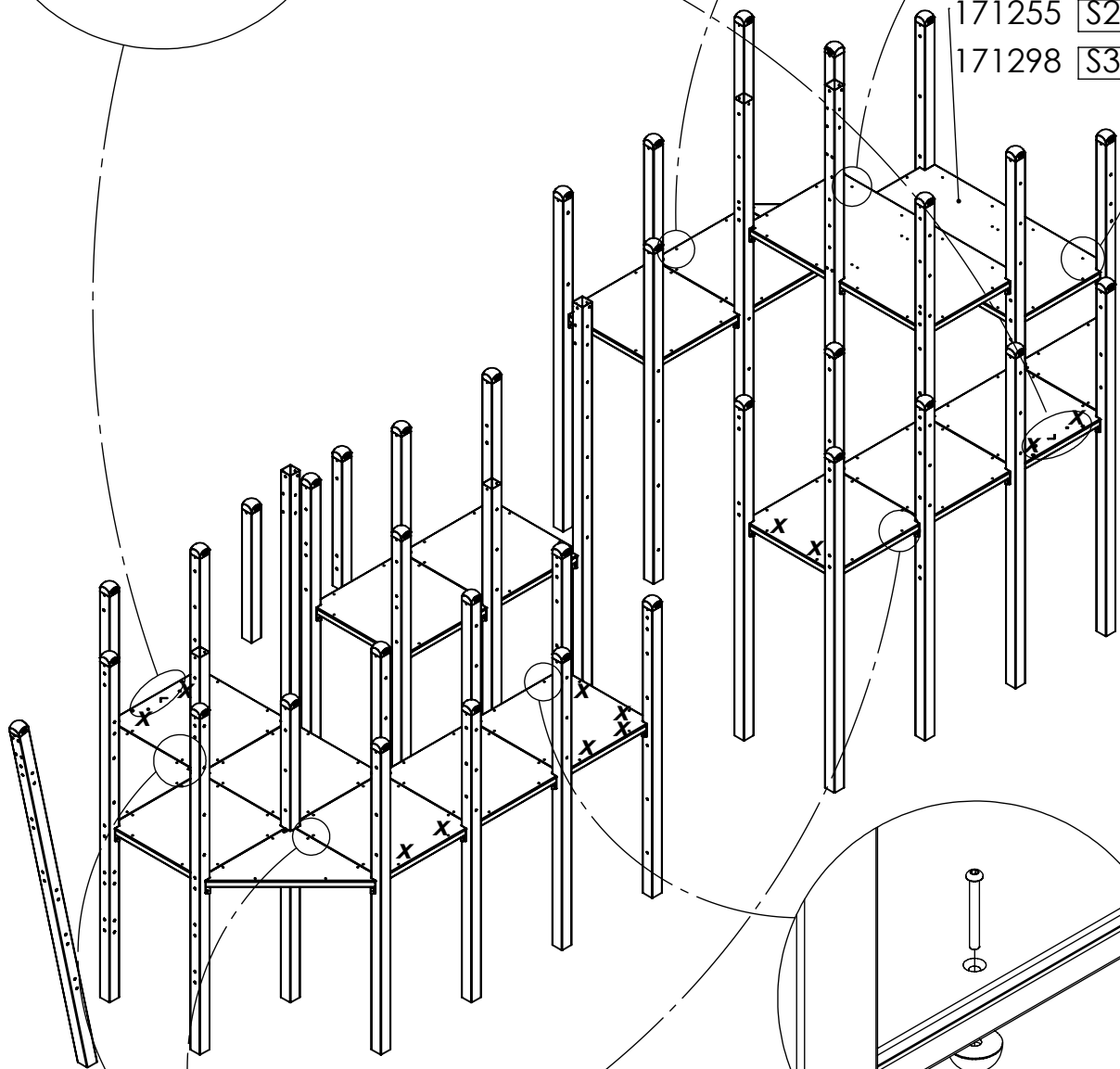
vinci
play

2x 30p061 S6

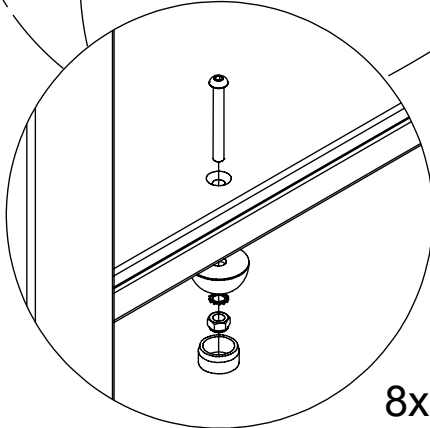
12x 30p007



171255 S2
171298 S3



1x 30p003

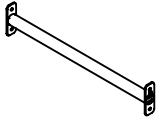


8x 30p005

[cm]

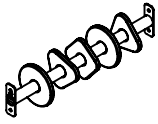
vinci
play

10x

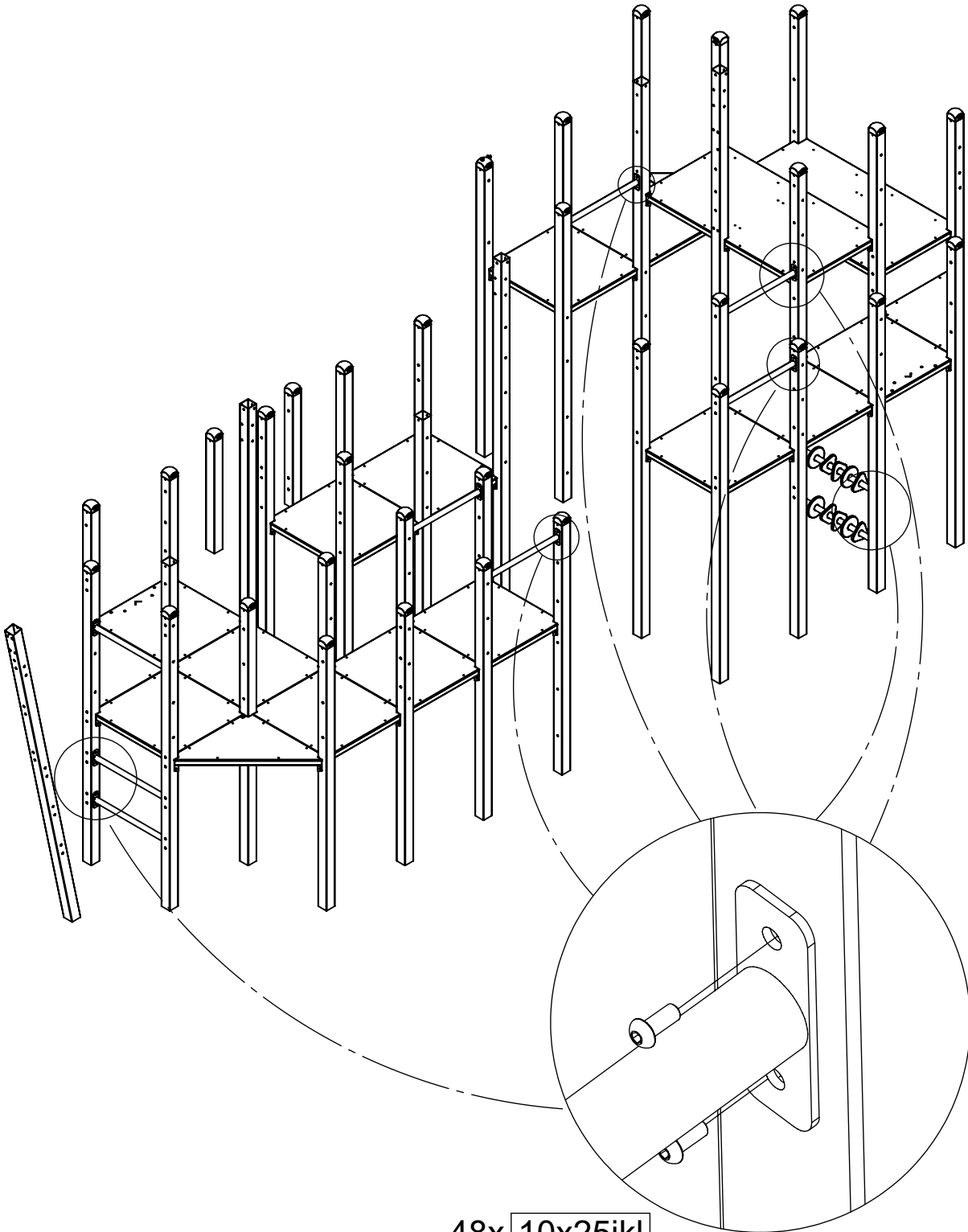


142117

2x



304104

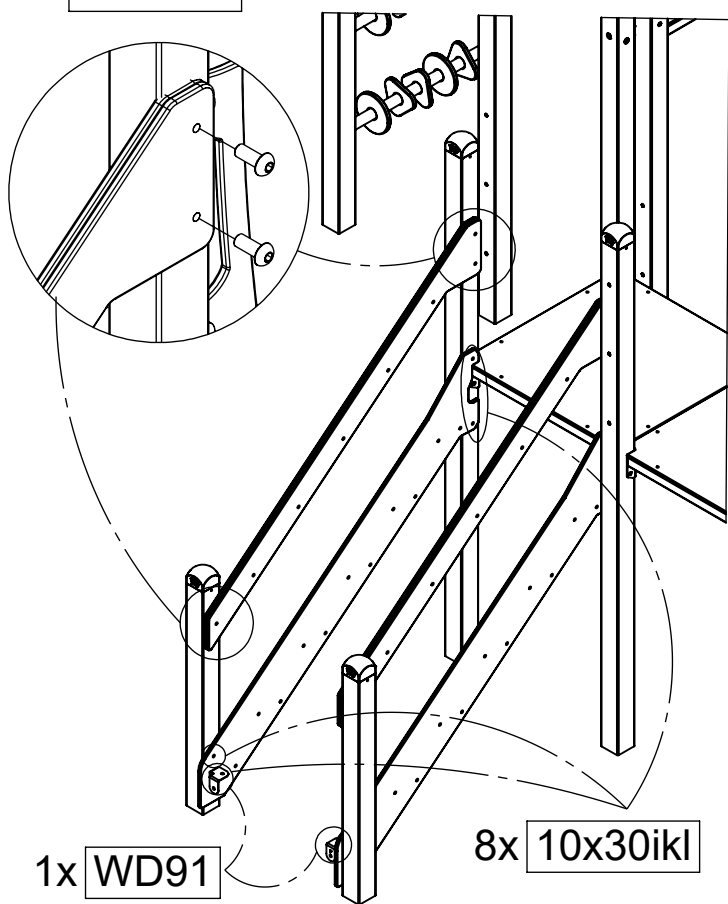


48x 10x25ikl

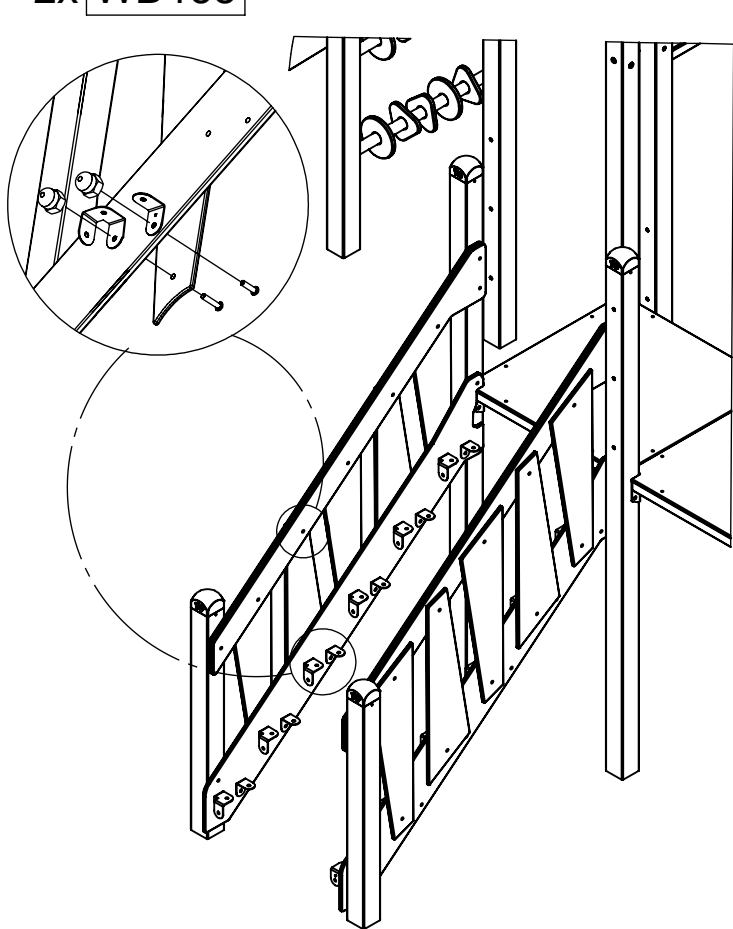
[cm]

vinci
play

6x 10x40ikl

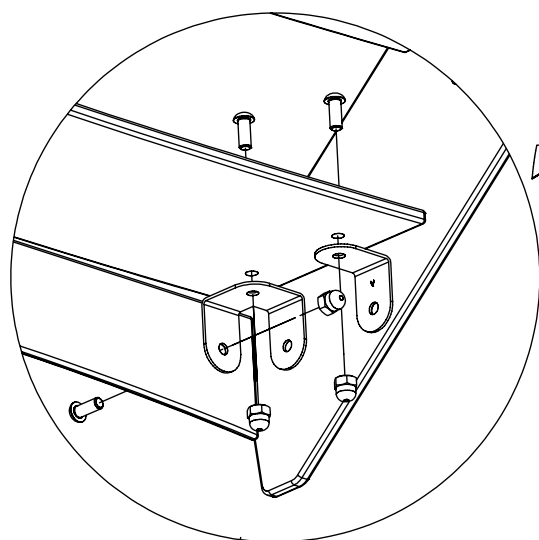


2x WD138

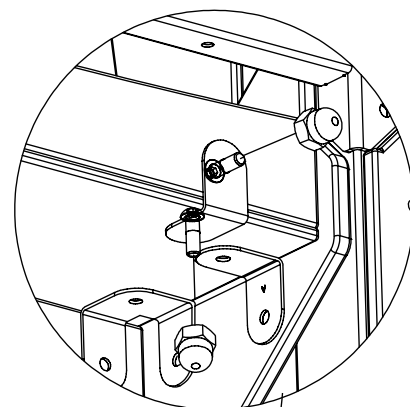


1x WD91

8x 10x30ikl



6x WD97



1x WD103

[cm]

vinci
play

72x 10x25ikl

72x 10pp

32x 10x25ikl

32x 10pp

i390

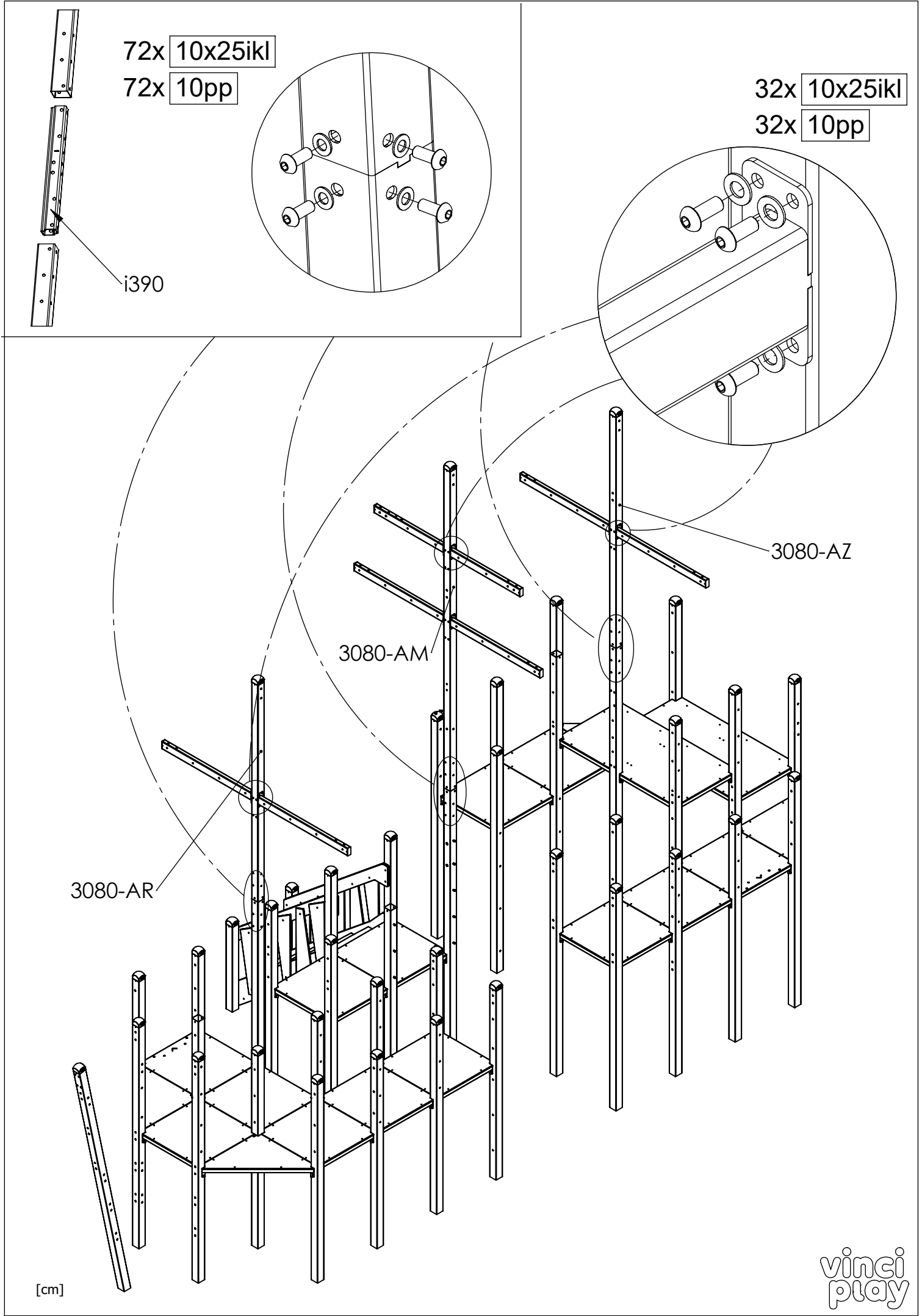
3080-AZ

3080-AM

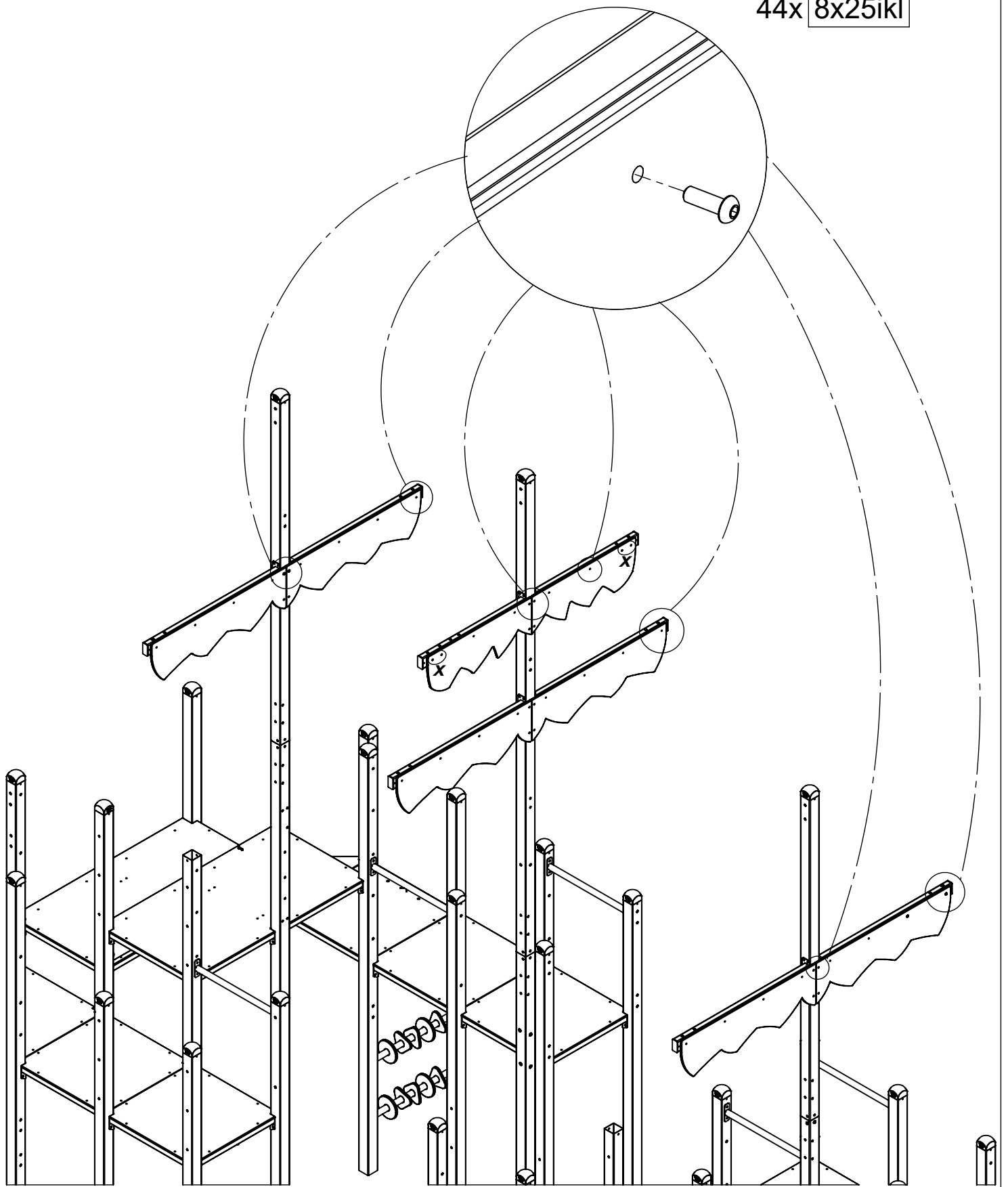
3080-AR

[cm]

vinci
play



44x 8x25ikl

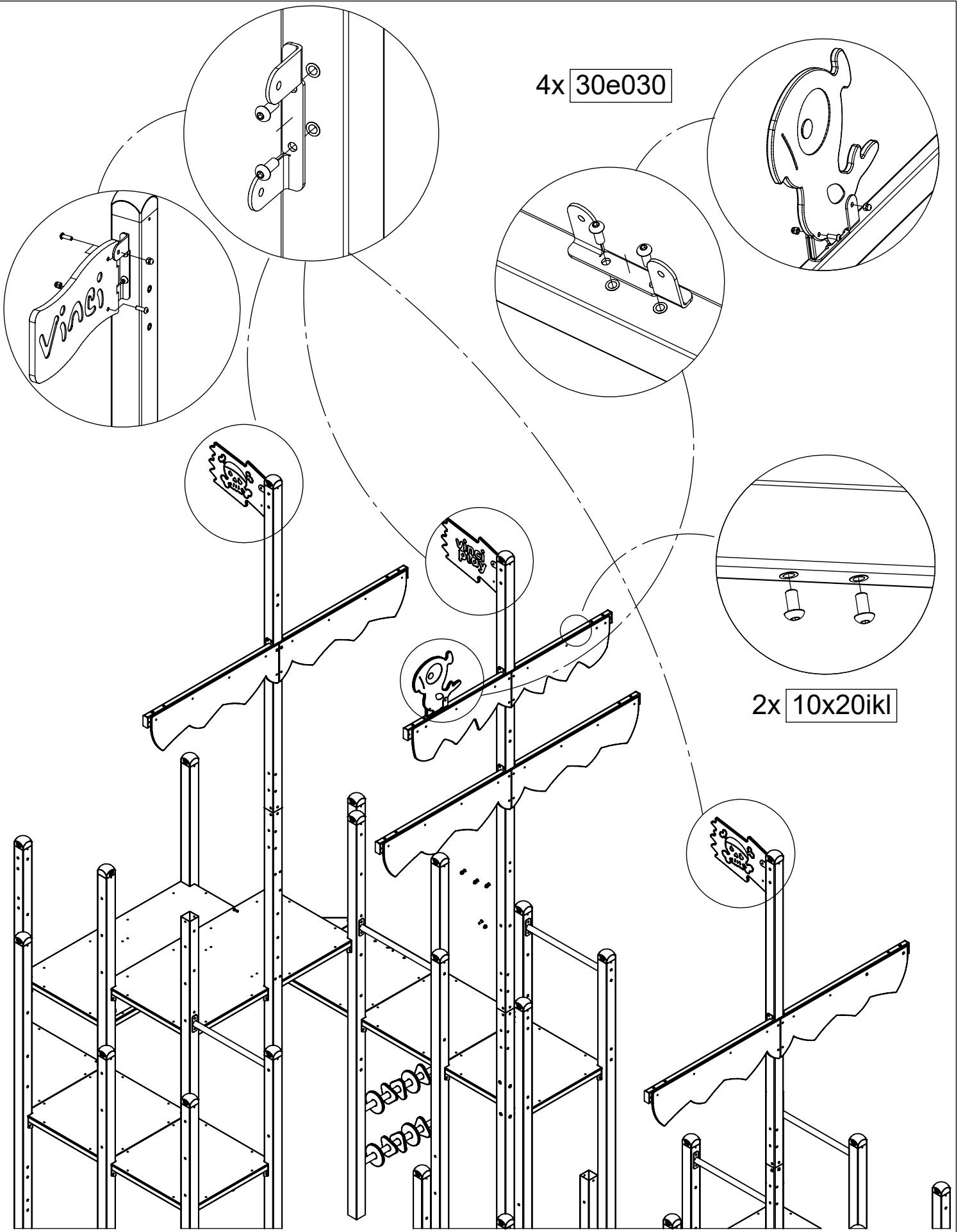


[cm]

vinci
play

4x 30e030

2x 10x20ikl



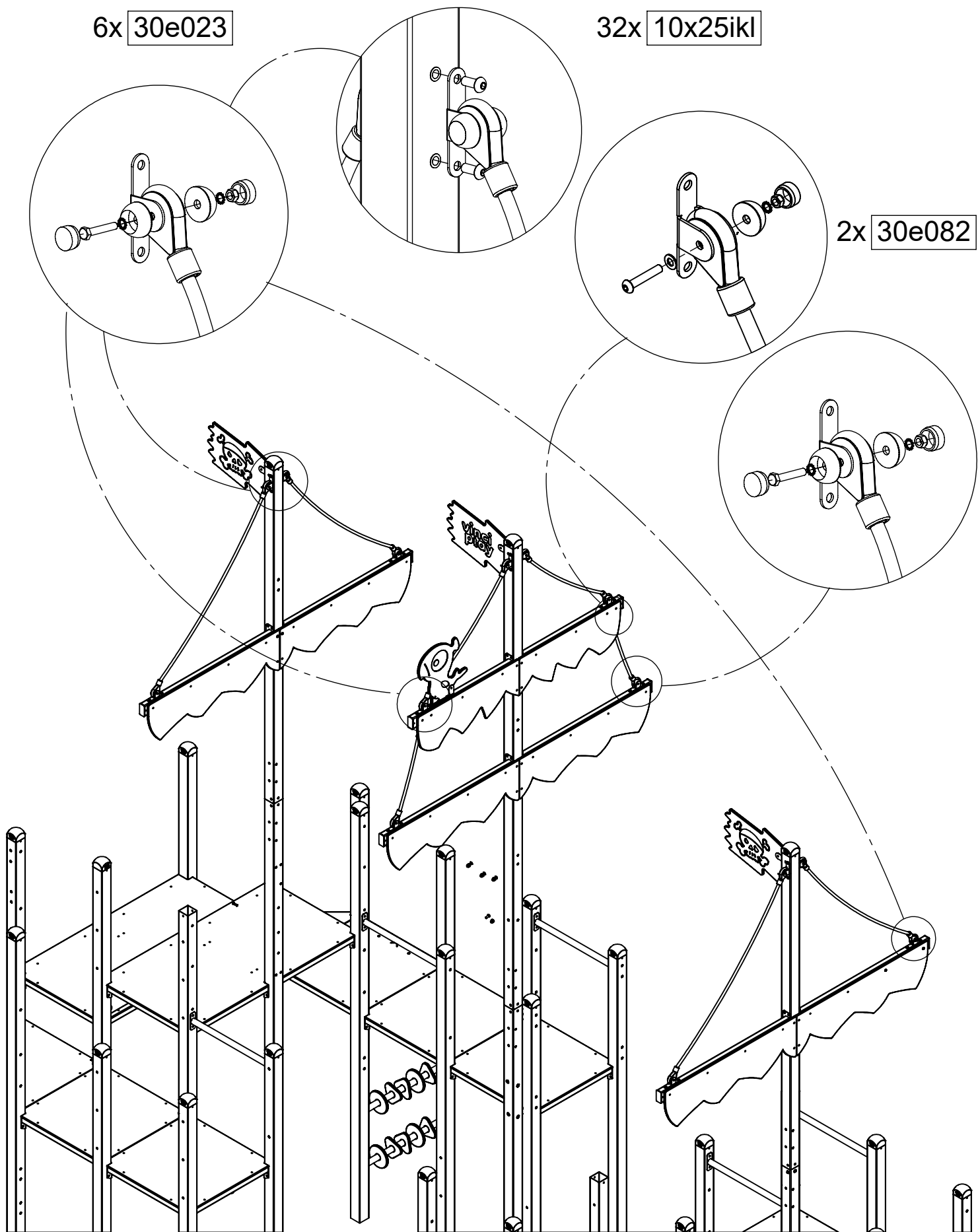
[cm]

vinci
play

6x 30e023

32x 10x25ikl

2x 30e082



[cm]

vinci
play

2x 30e066

10x 10x25ikl

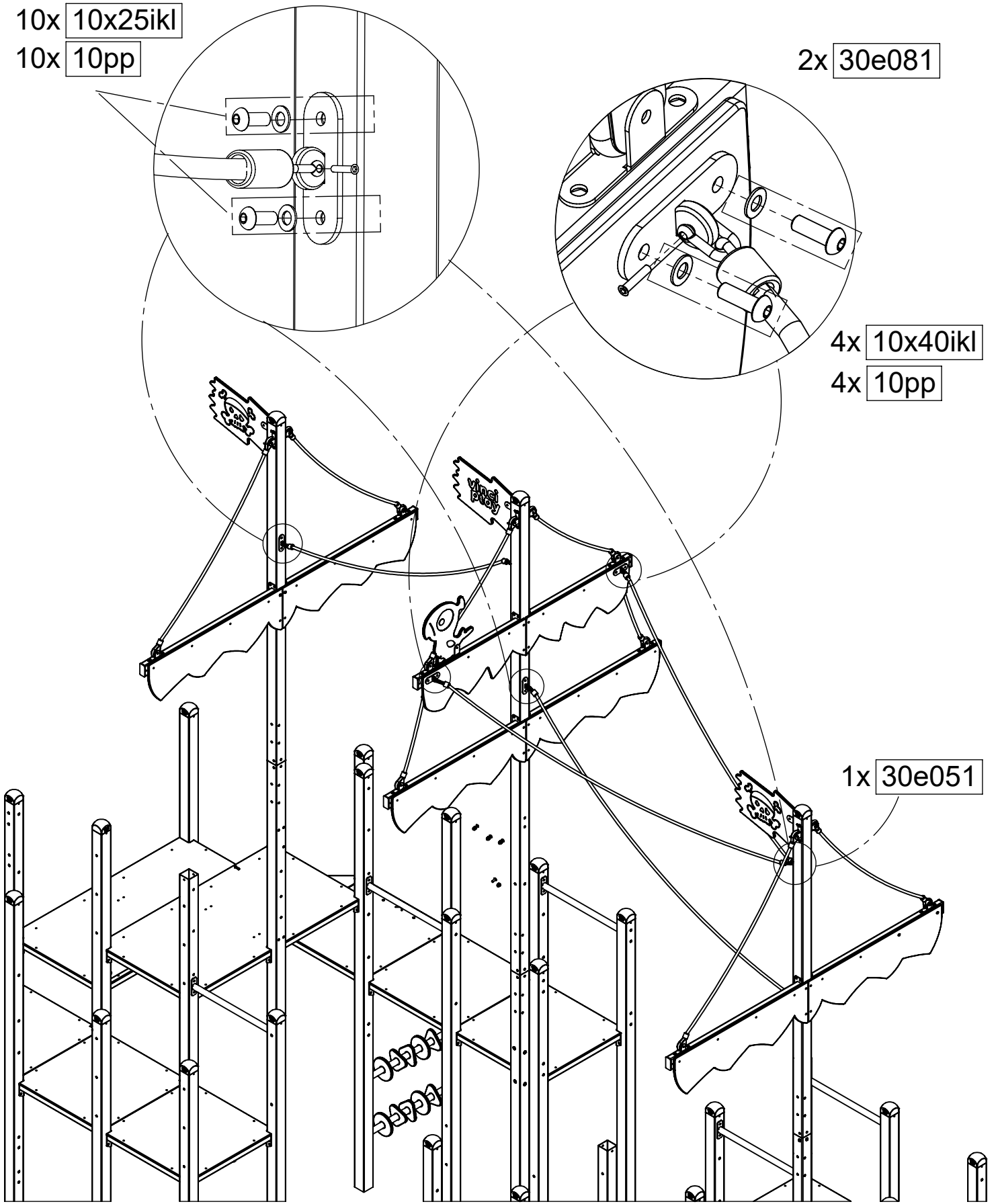
10x 10pp

2x 30e081

4x 10x40ikl

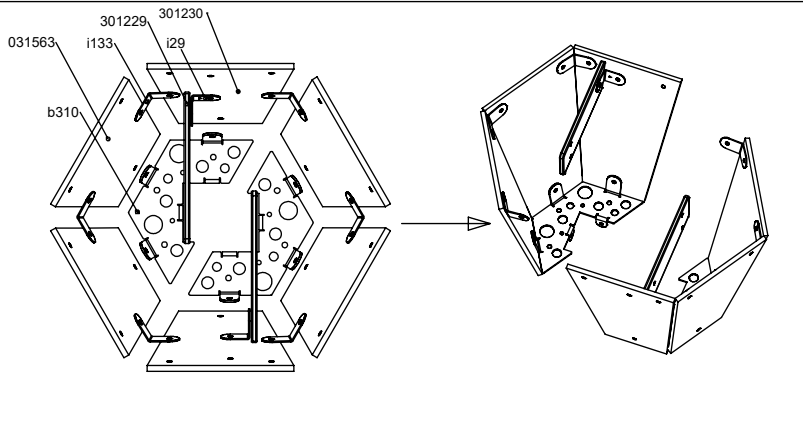
4x 10pp

1x 30e051

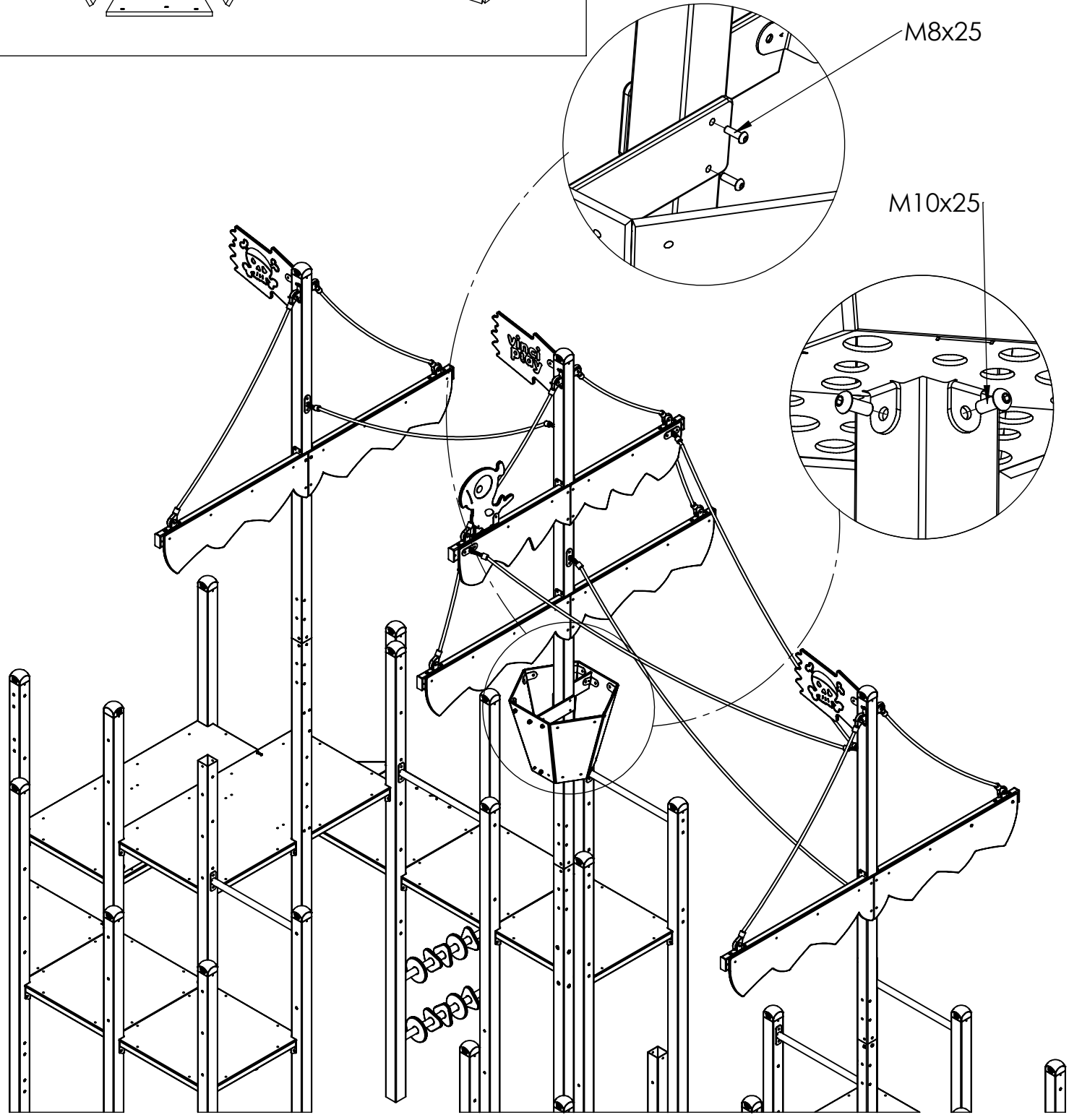


[cm]

vinci
play



1x 30e078

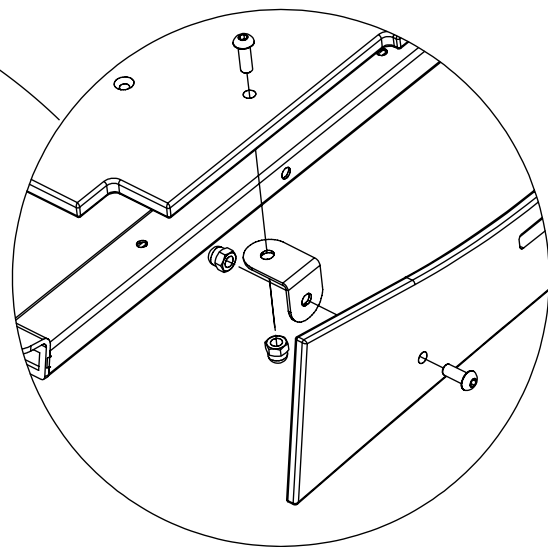
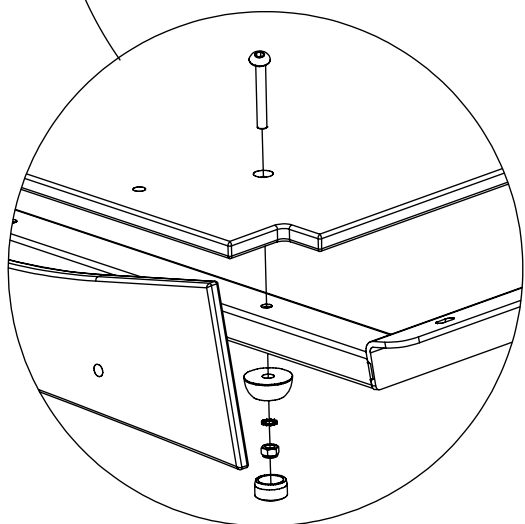
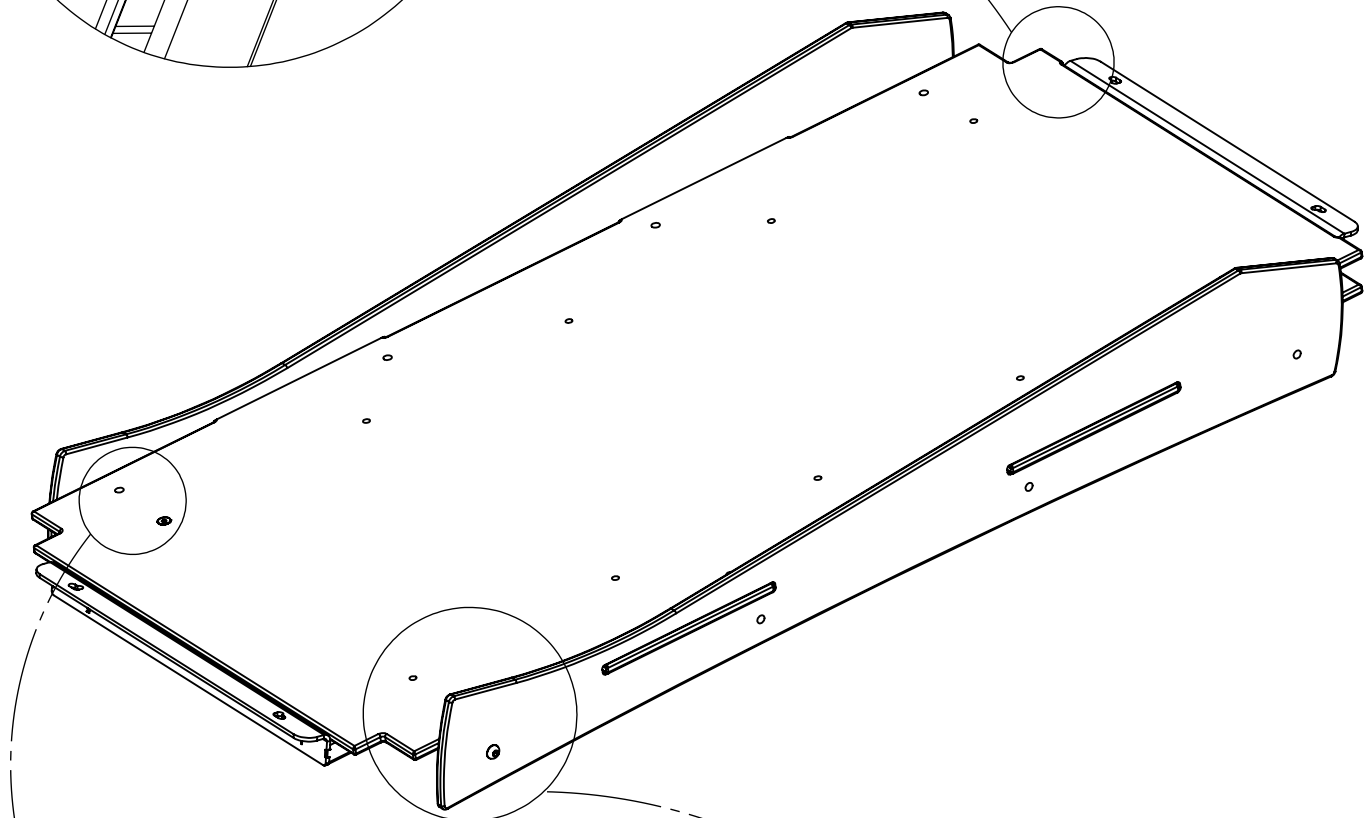
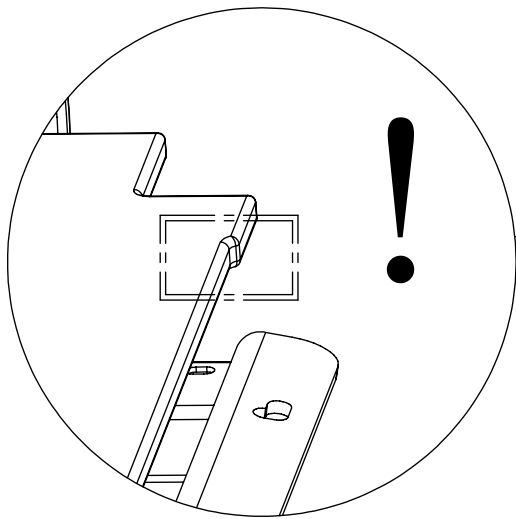


M8x25

M10x25

[cm]

vinci
play

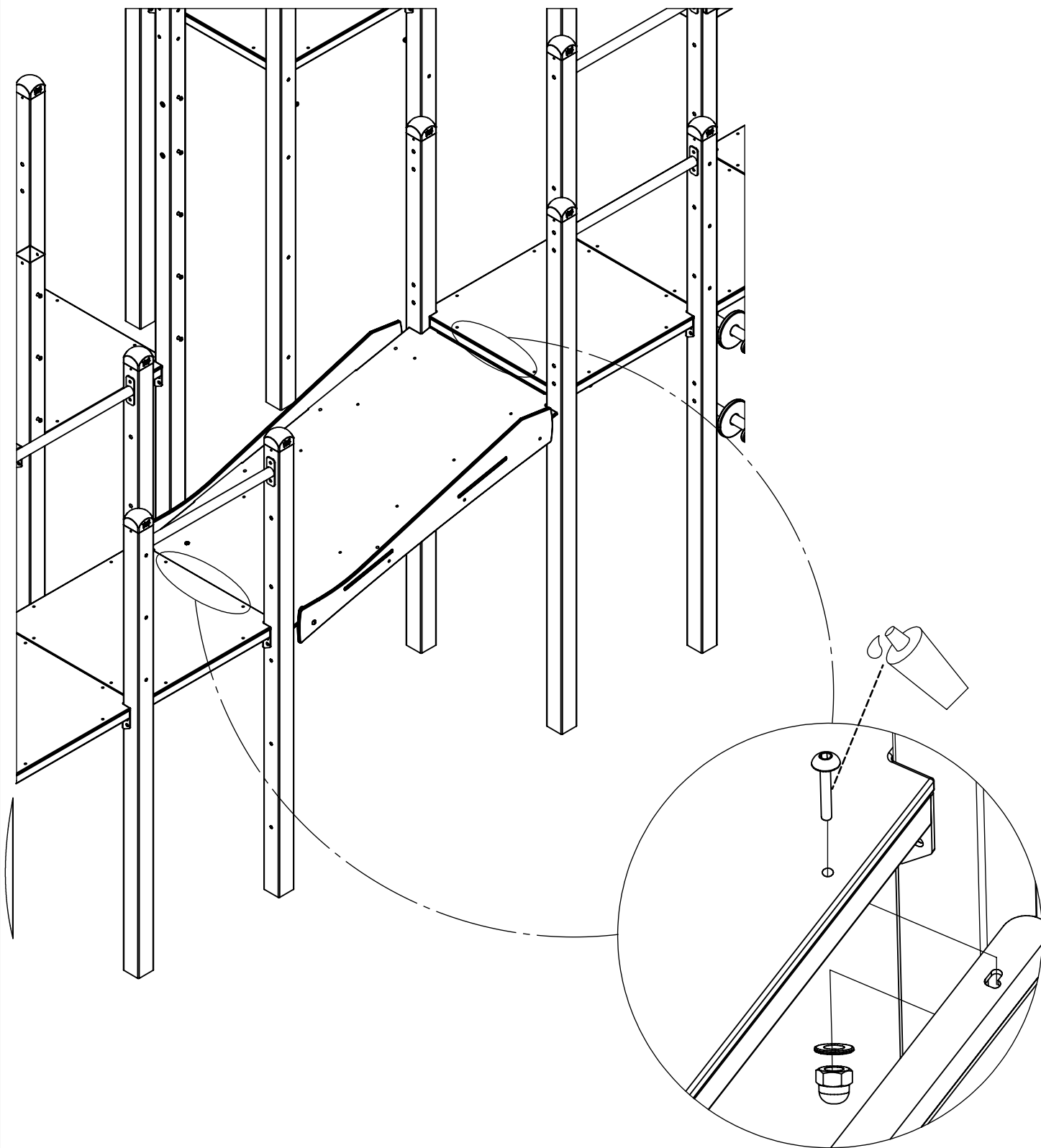


1x 30p029

1x 30c030

[cm]

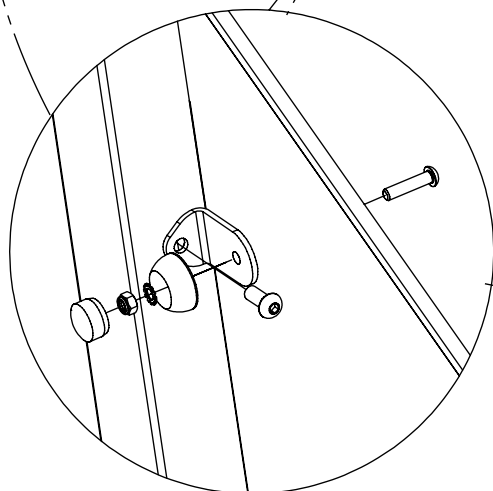
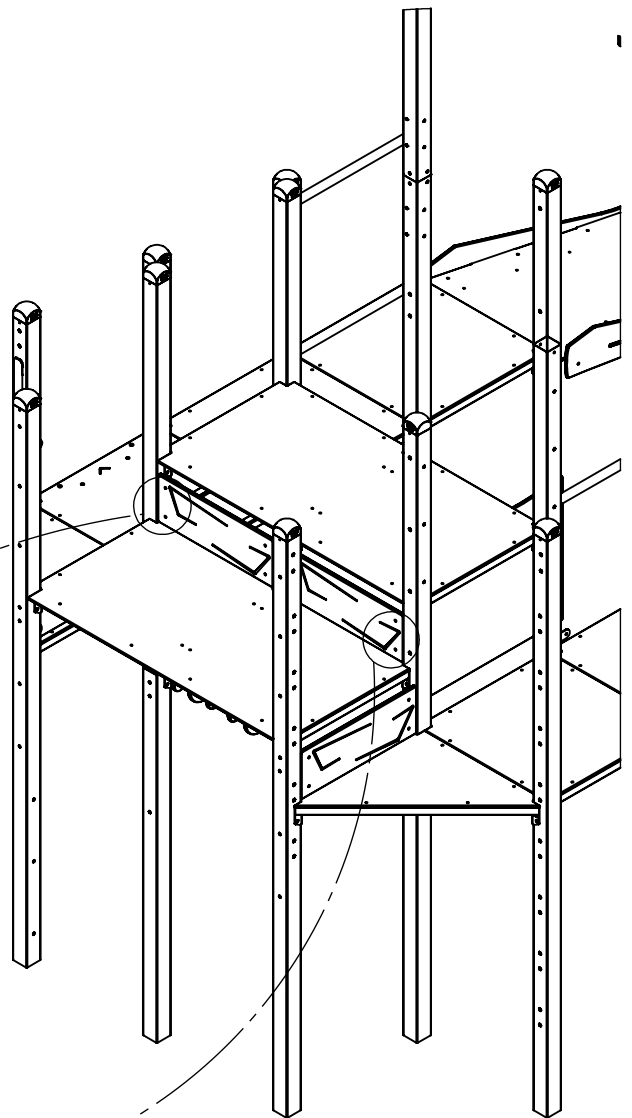
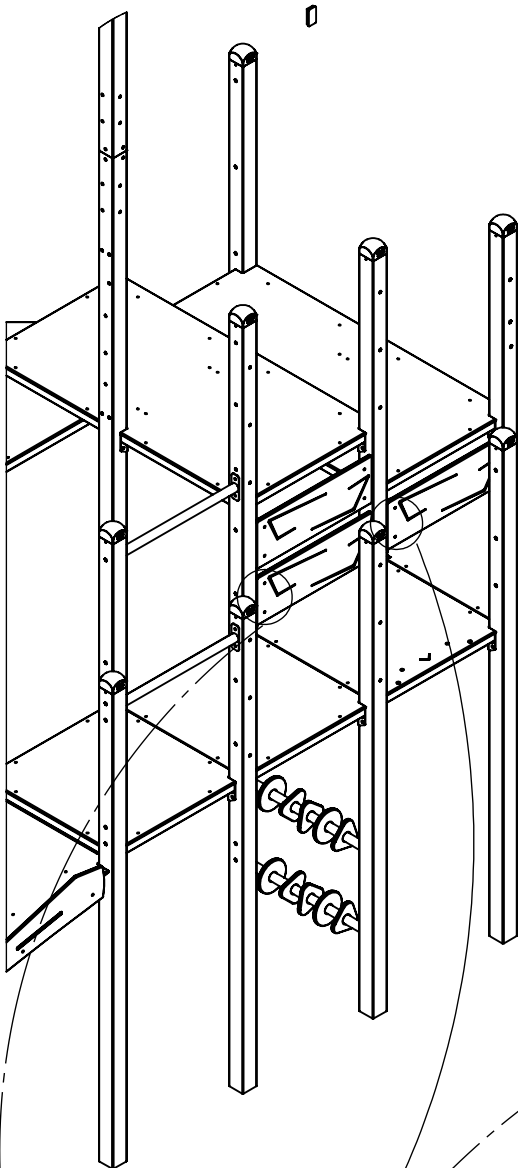
vinci
play



1x 30p023

[cm]

vinci
play

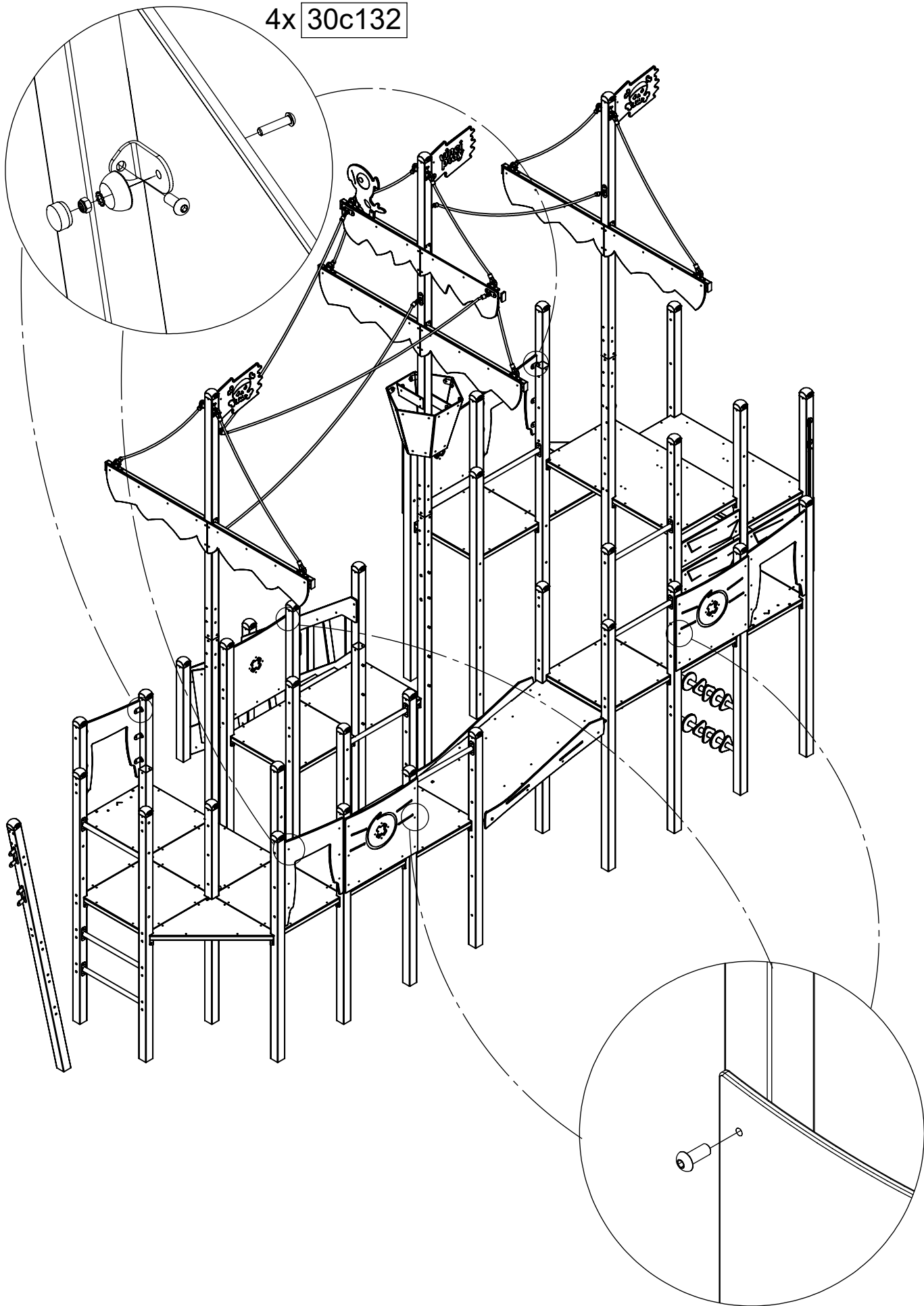


6x 30c004

[cm]

vinci
play

4x 30c132

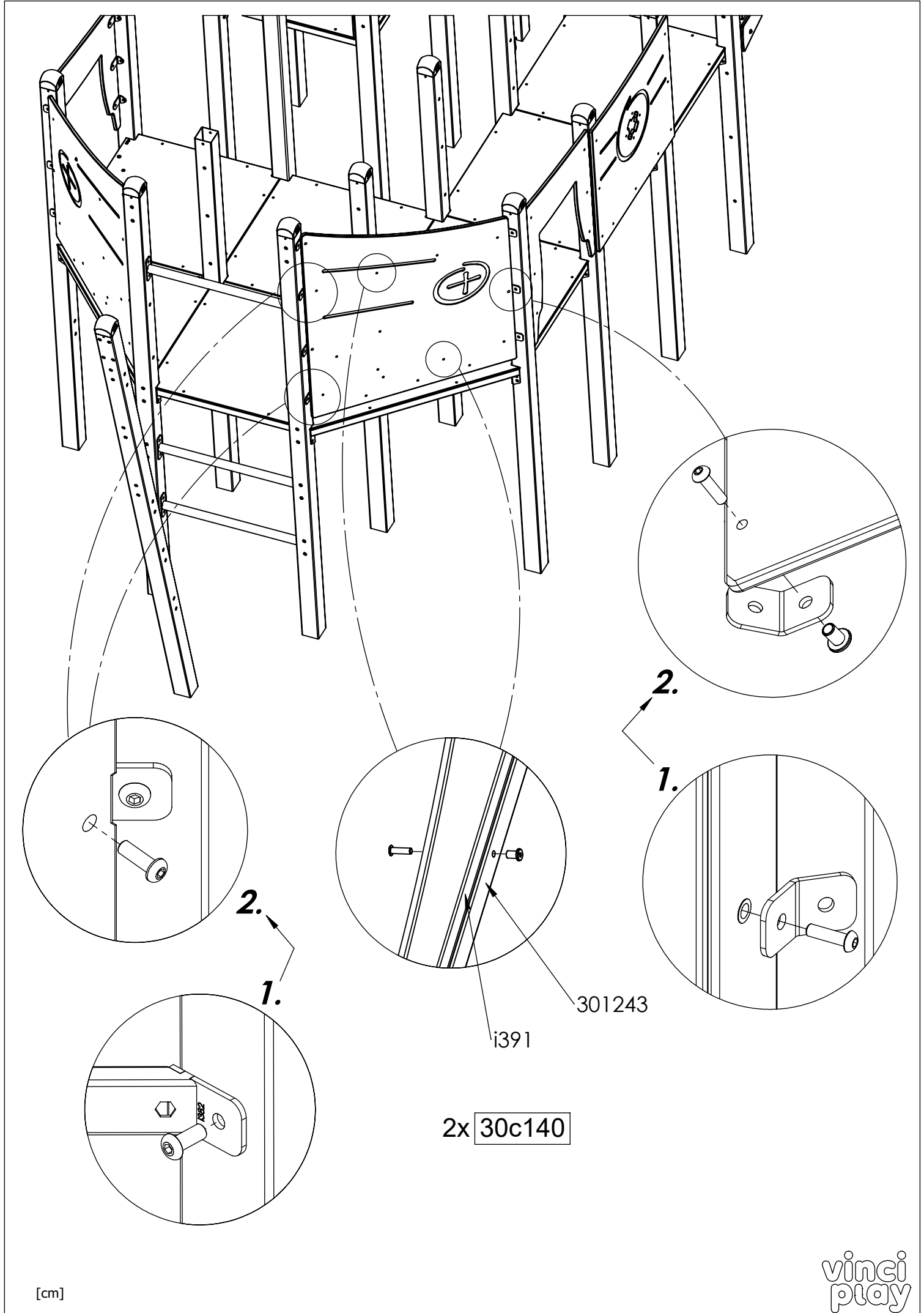


GARGE
GARGE

24x 8x30i1

[cm]

vinci
play



2.
1.

2.
1.

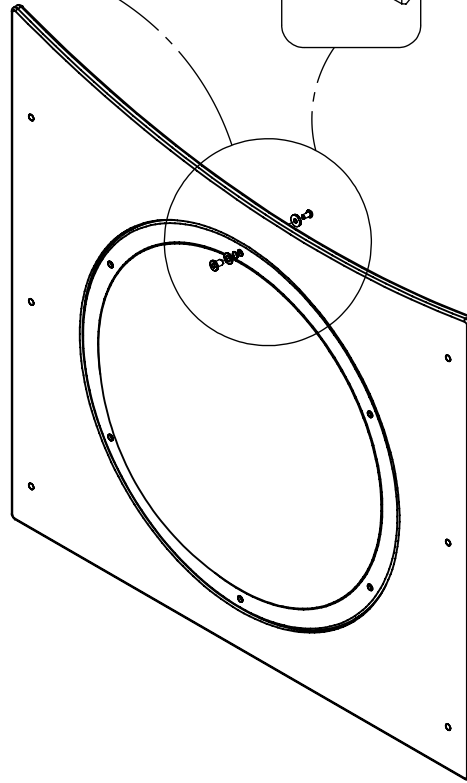
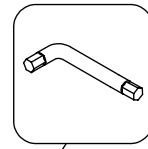
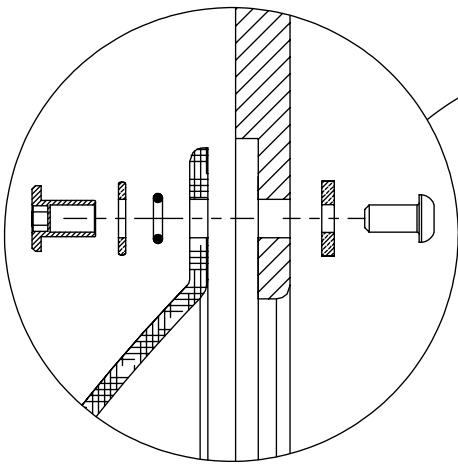
301243

i391

2x 30c140

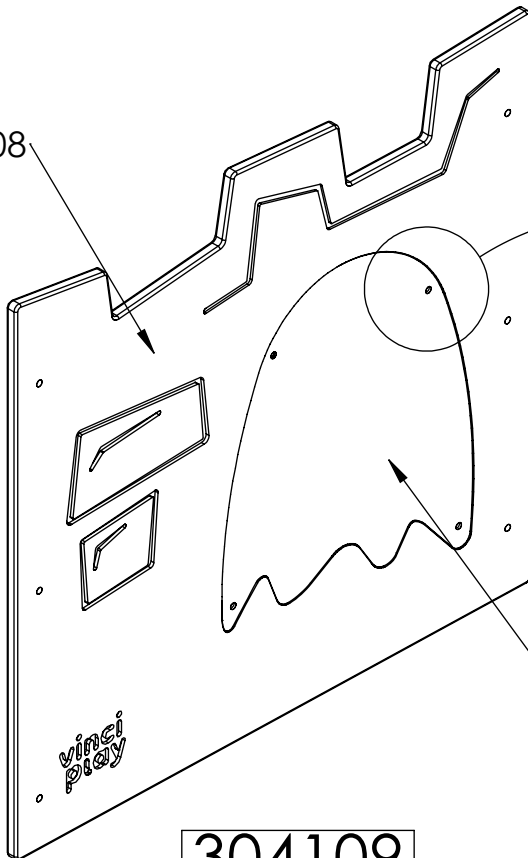
[cm]

vinci
play

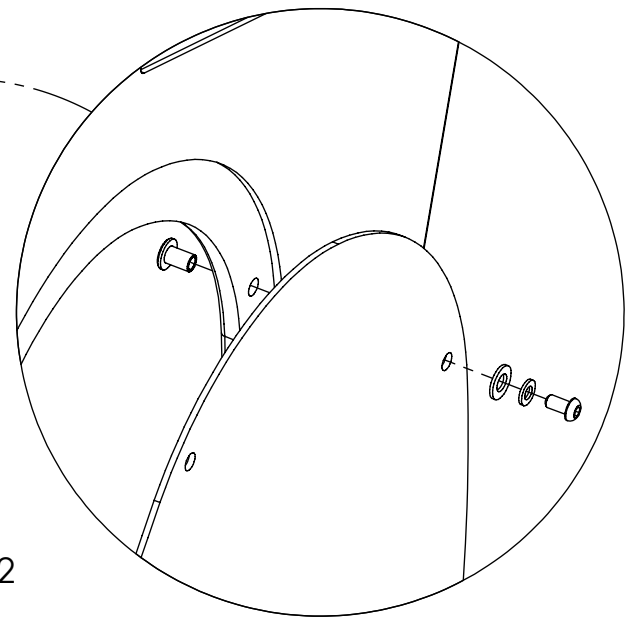


1x 30c010

301208



301242

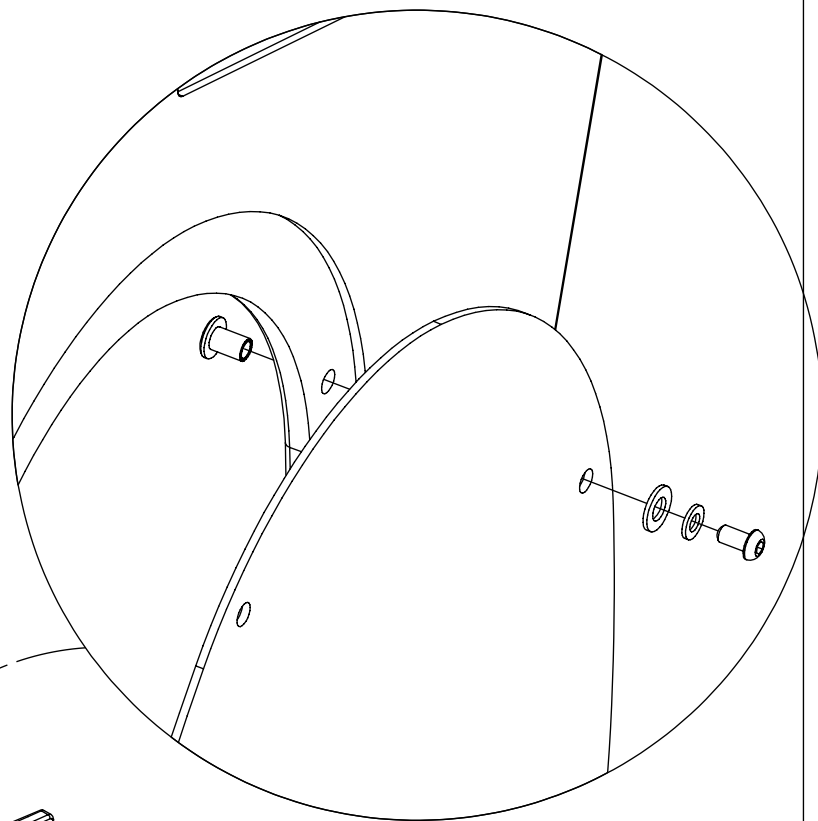
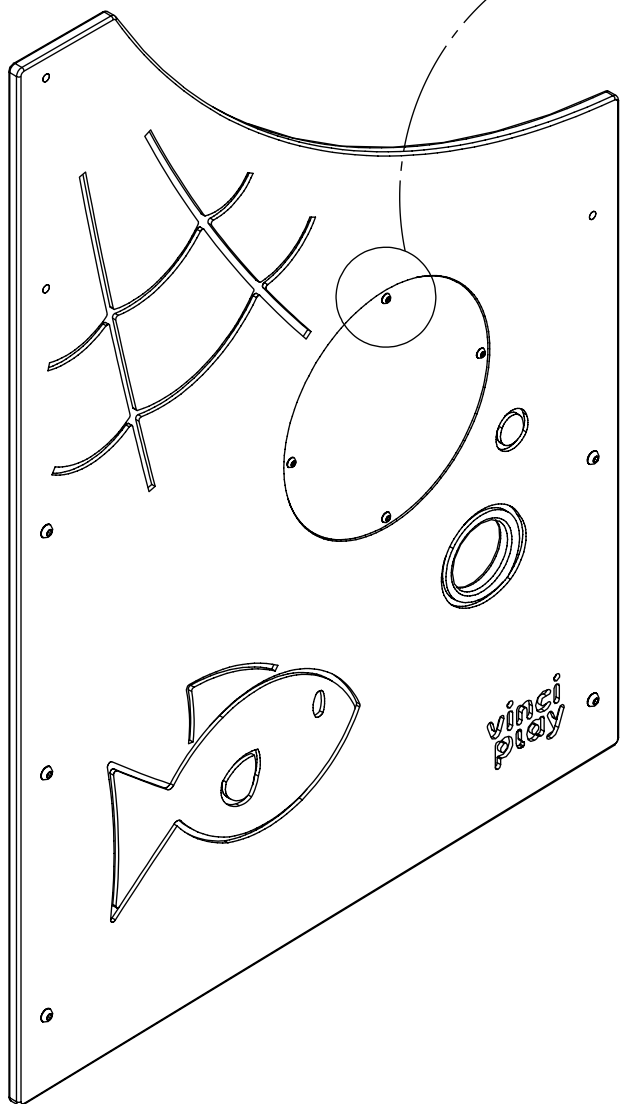


304109

2x 30c130

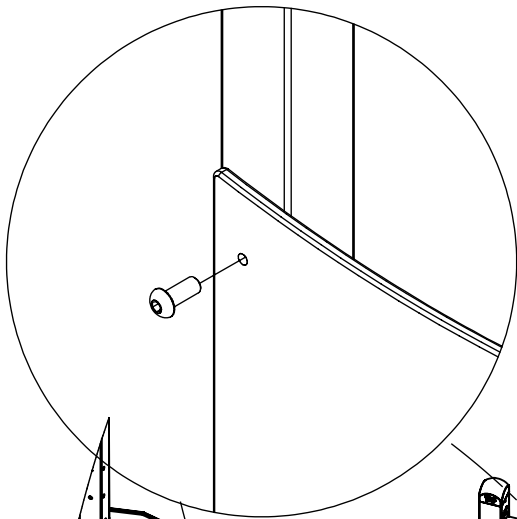
[cm]

vinci
play

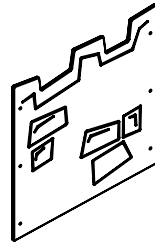


1x 30c166

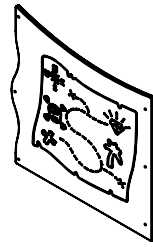
18x 8x25i|kl



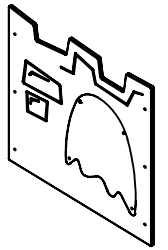
x1



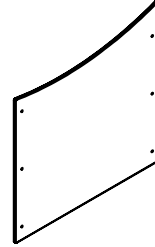
2x 301126



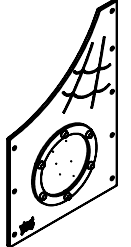
1x 171210



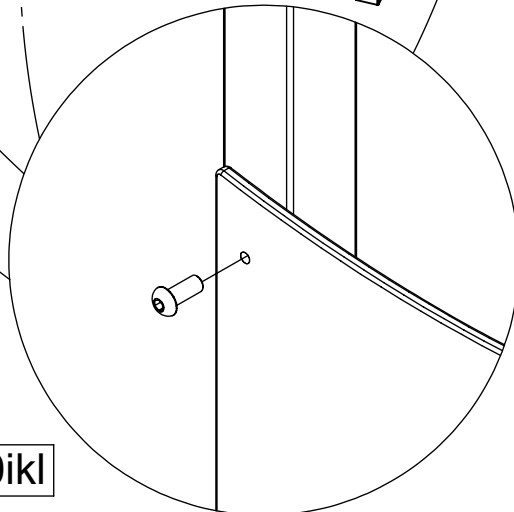
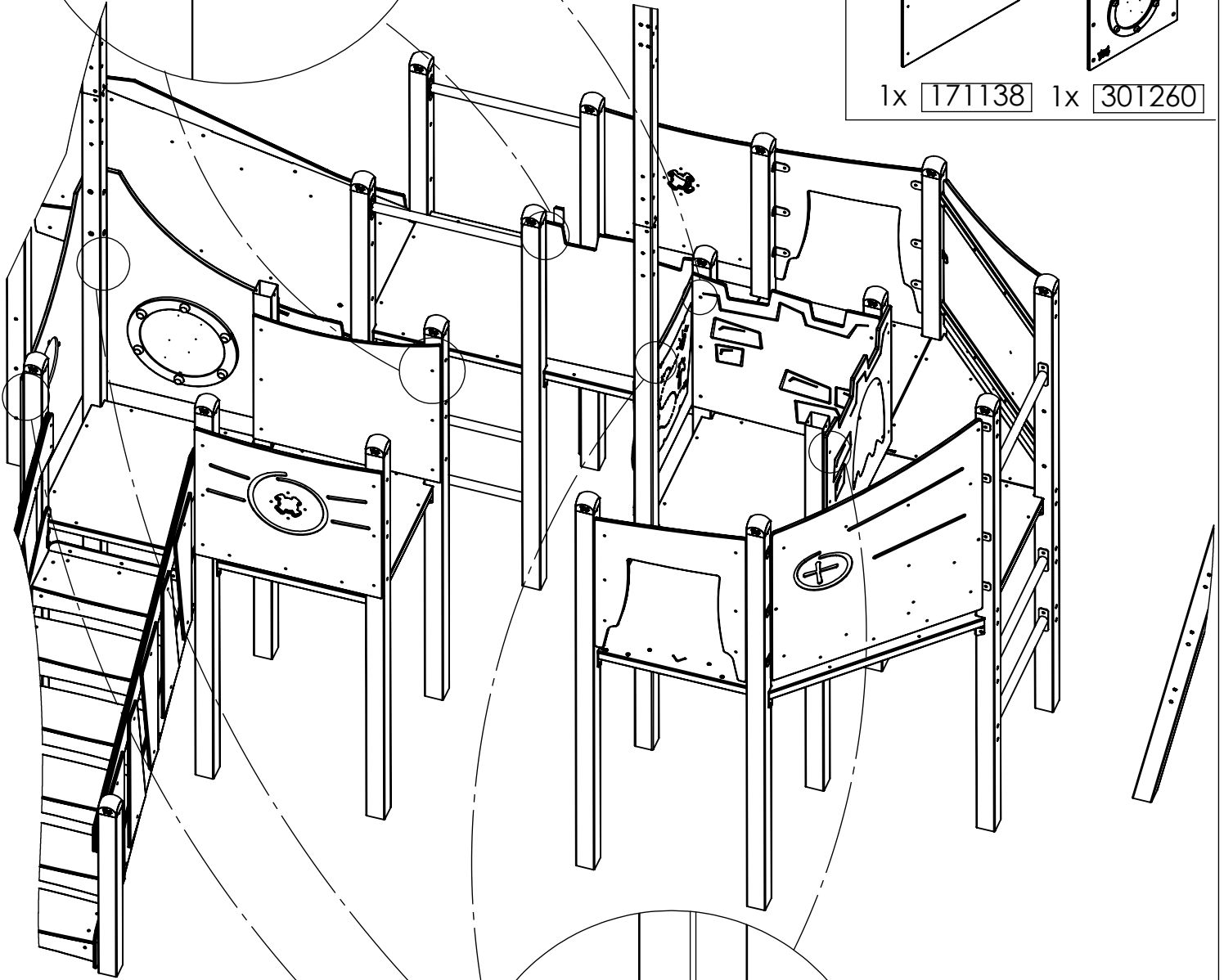
1x 304109



1x 171138



1x 301260

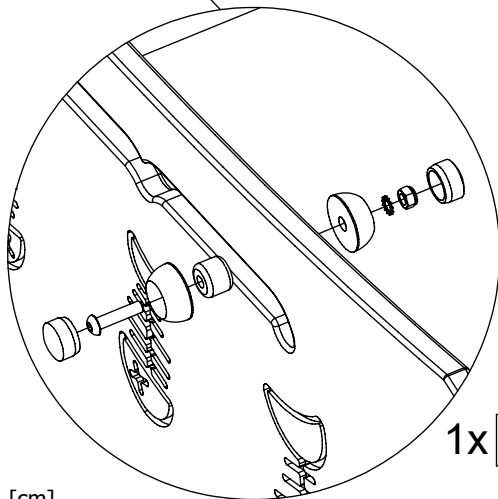
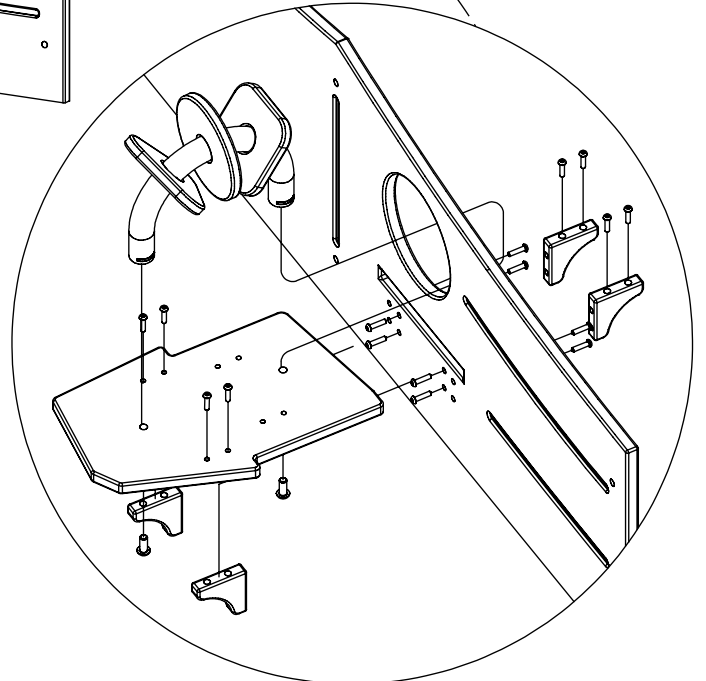
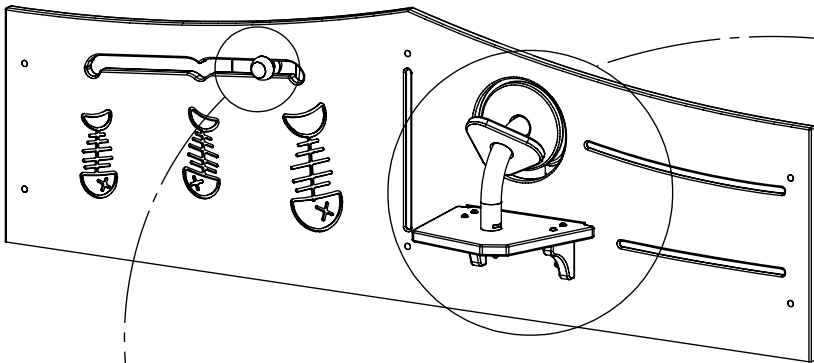
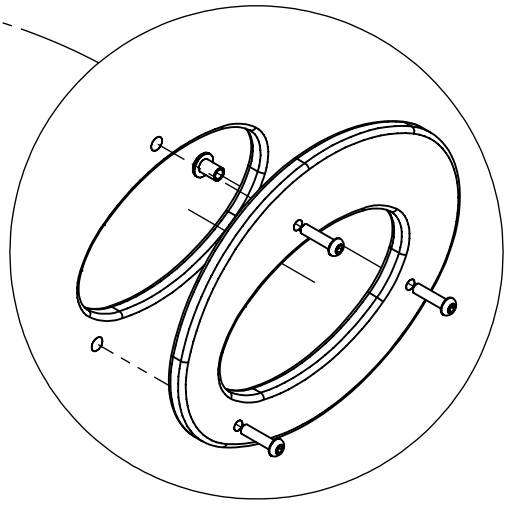
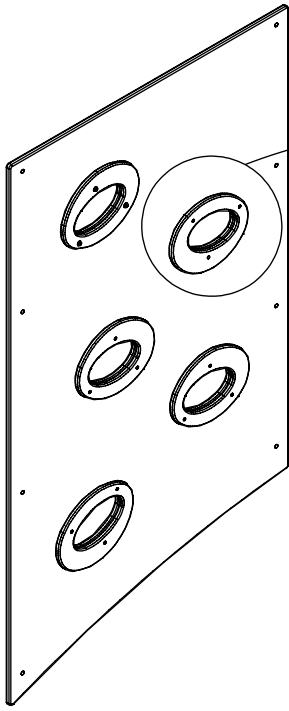


[cm]

28x 8x30i|kl

vinci
play

5x 30p039

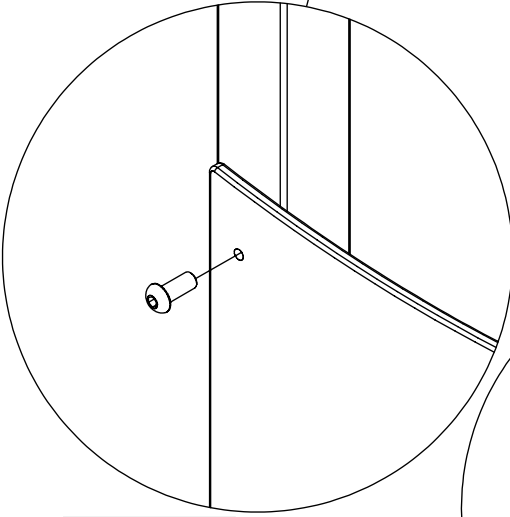
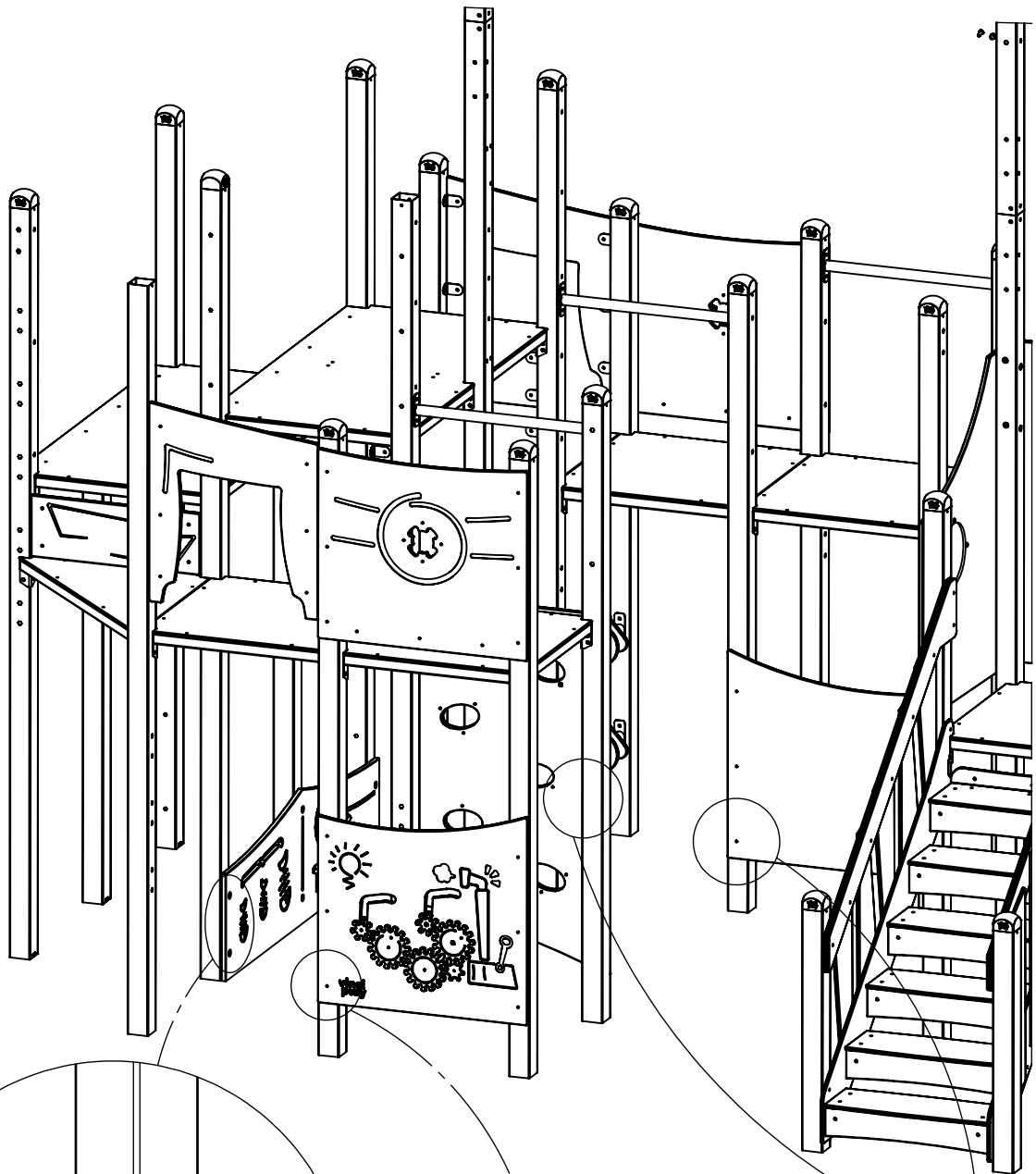


1x 30c078

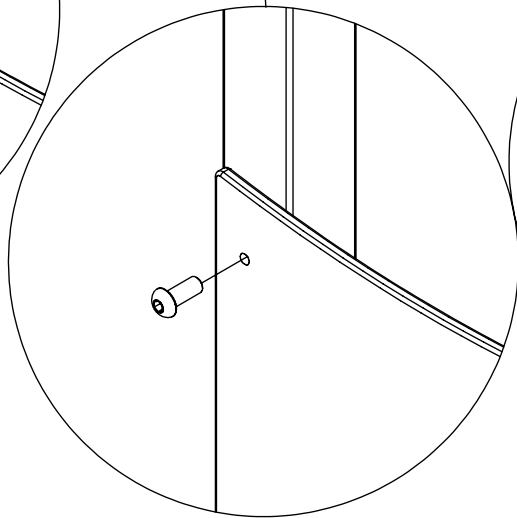
1x 30c076

[cm]

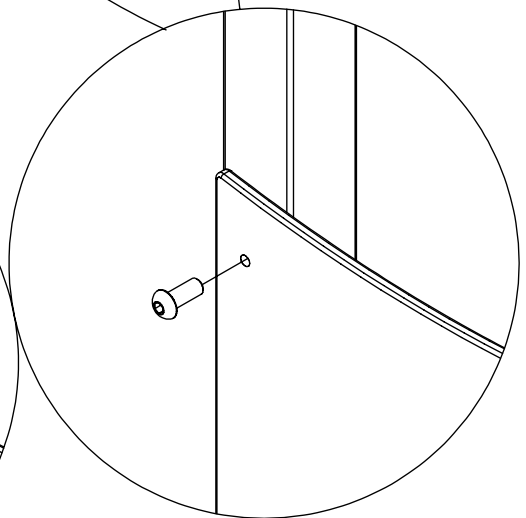
vinci
play



6x 10x30i^{kl}



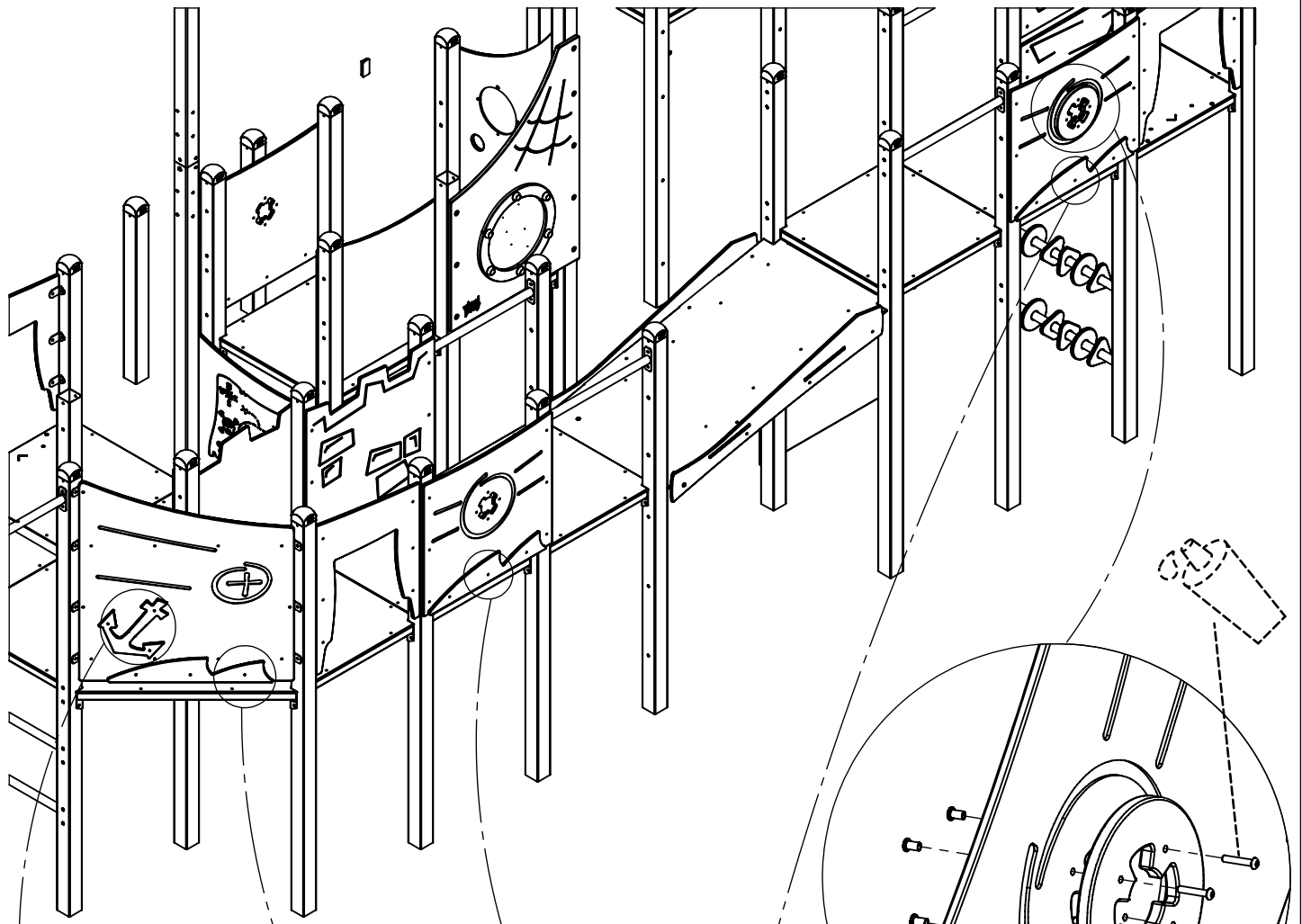
6x 8x30i^{kl}



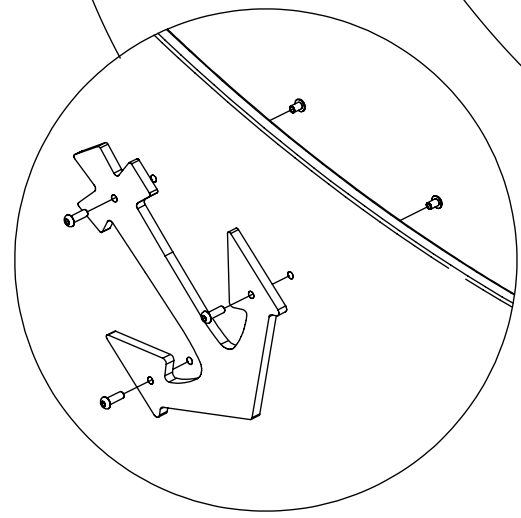
14x 8x25i^{kl}

[cm]

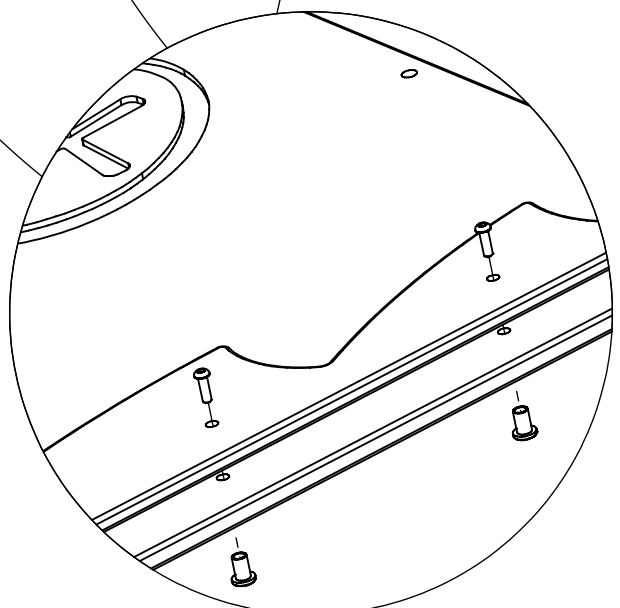
vinci
play



1x 30c146



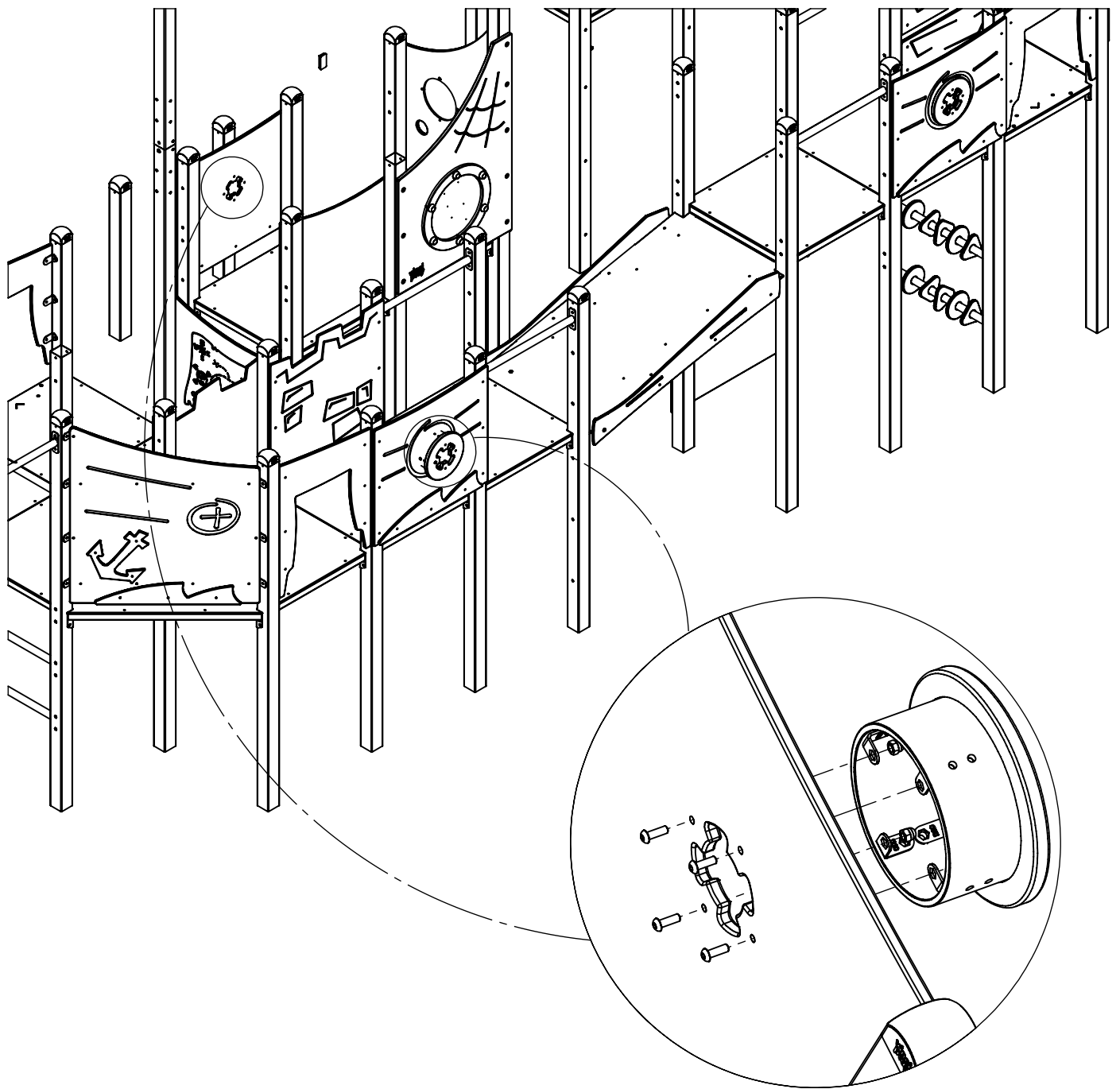
2x 30c080



6x 30c080

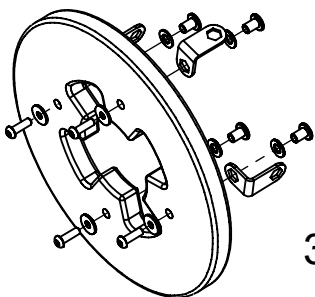
[cm]

vinci
play



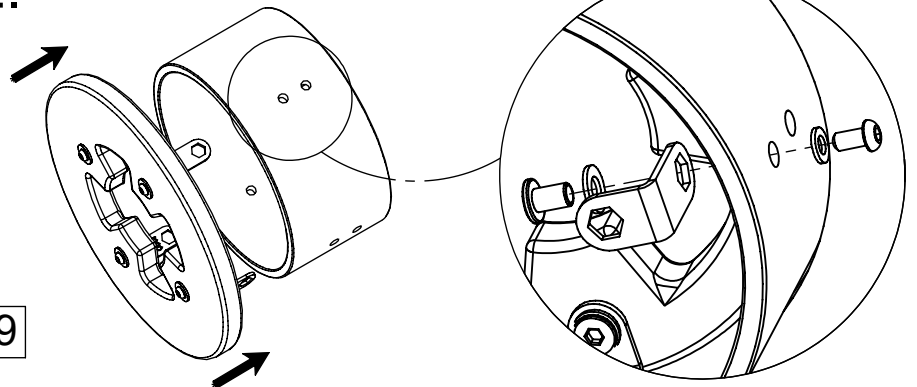
3x 30c150

1.



3x 30e079

2.



[cm]

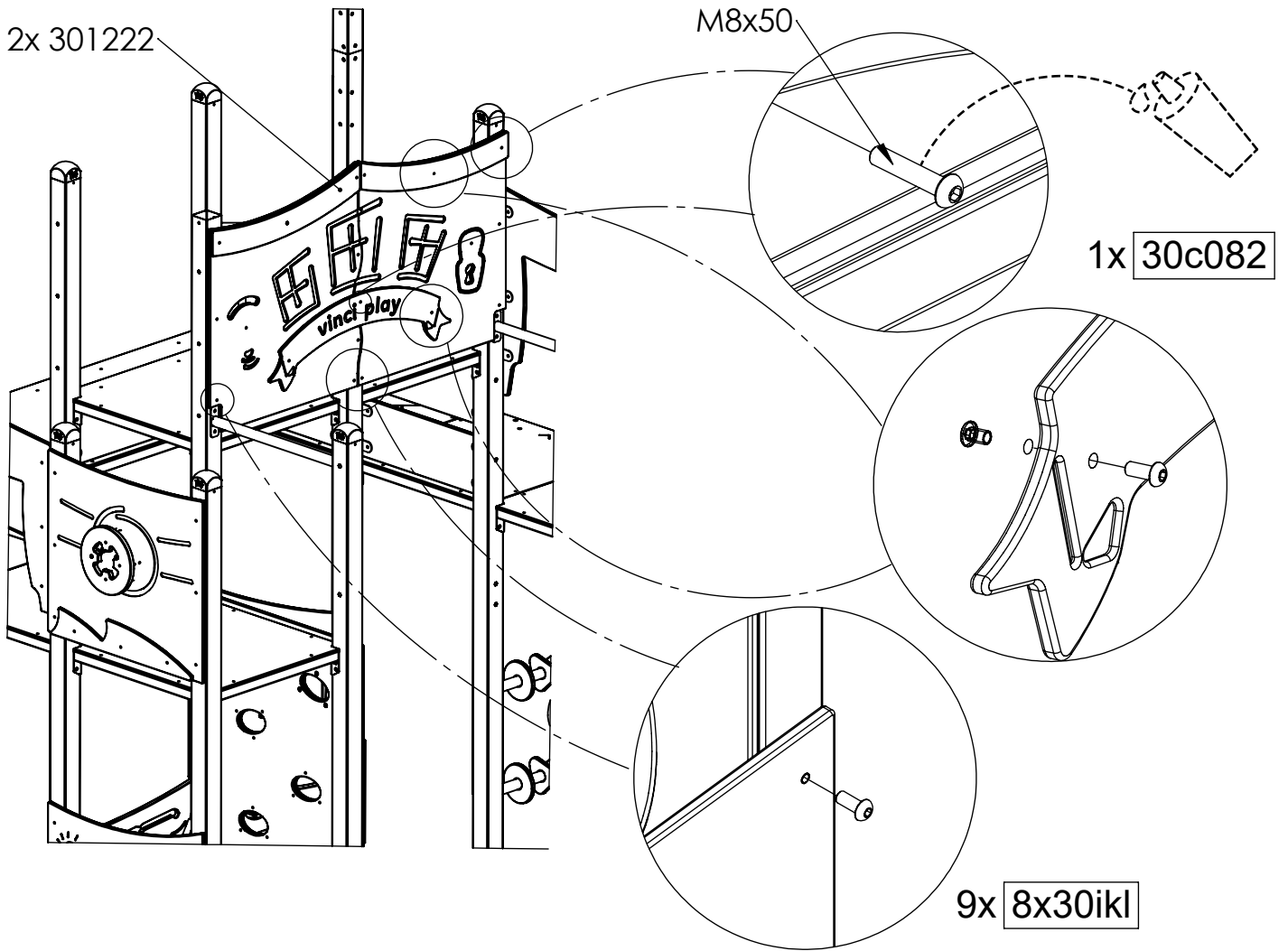
vinci
play

2x 301222

M8x50

1x 30c082

9x 8x30ikl

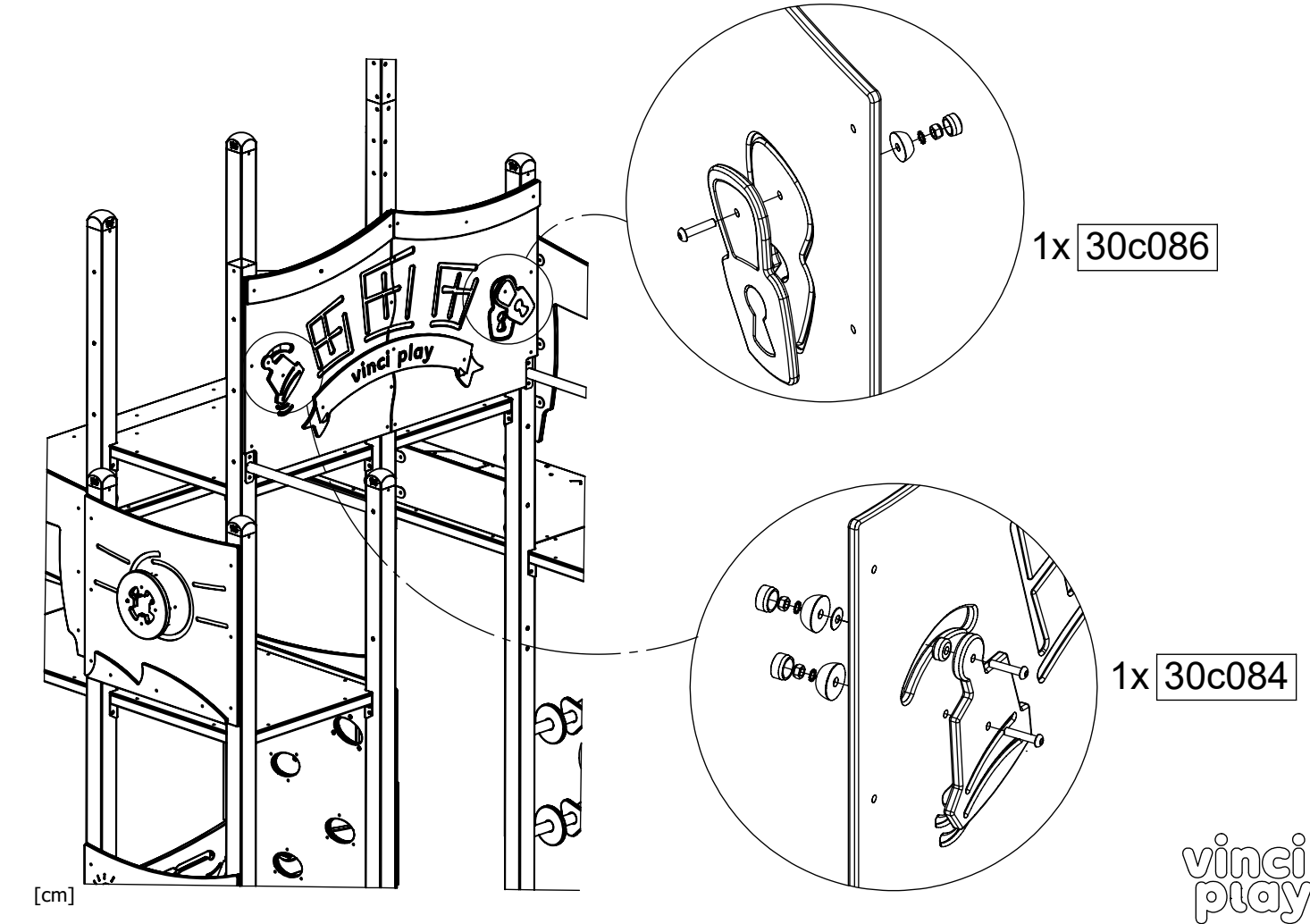


1x 30c086

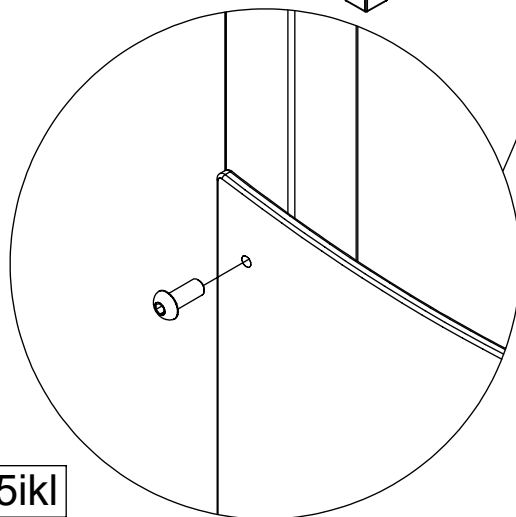
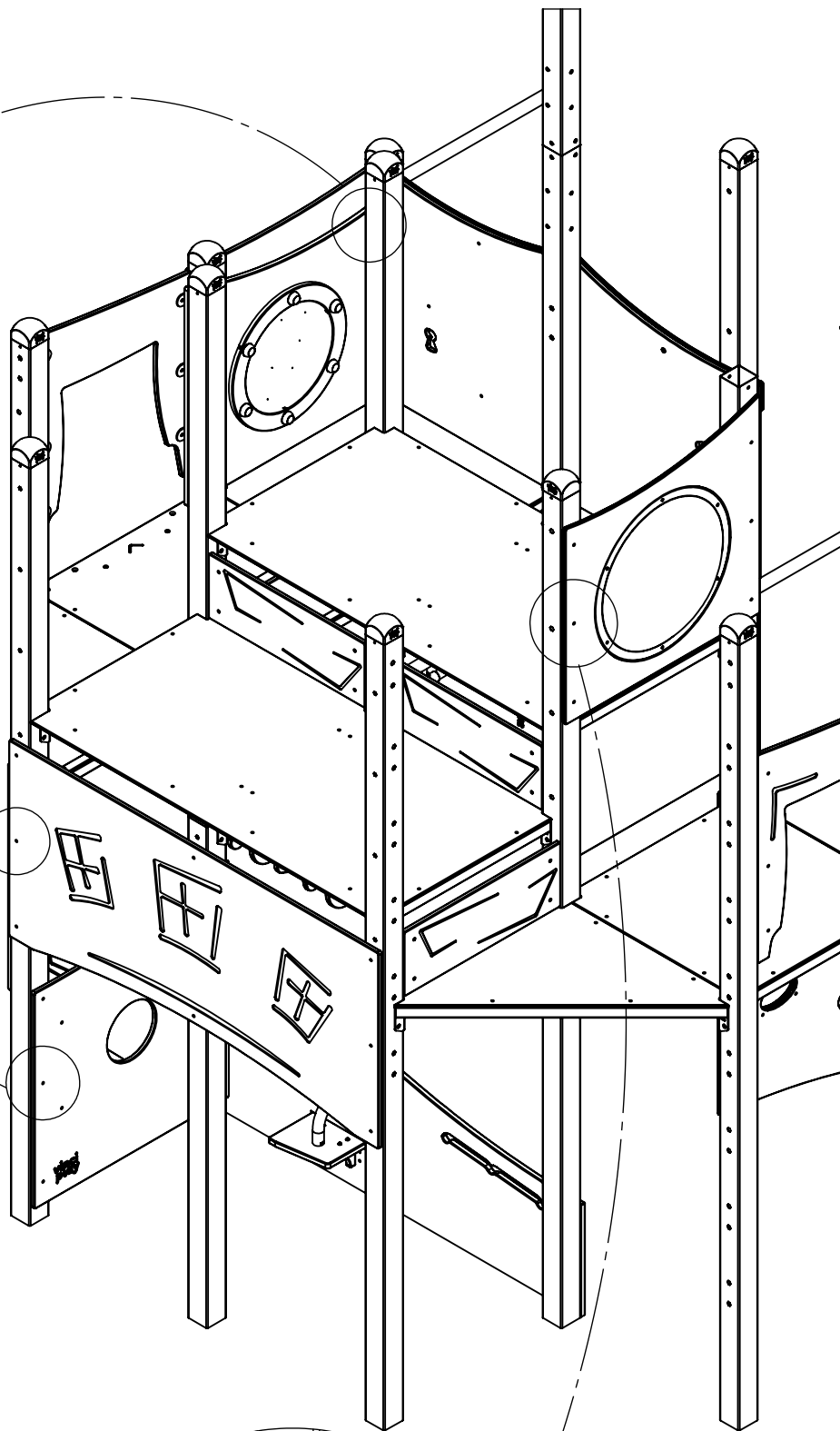
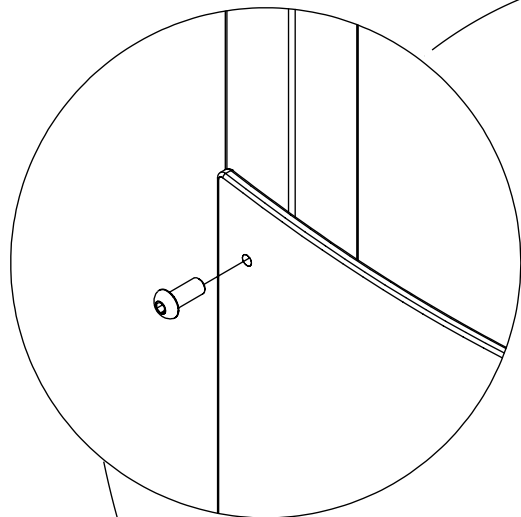
1x 30c084

[cm]

vinci
play



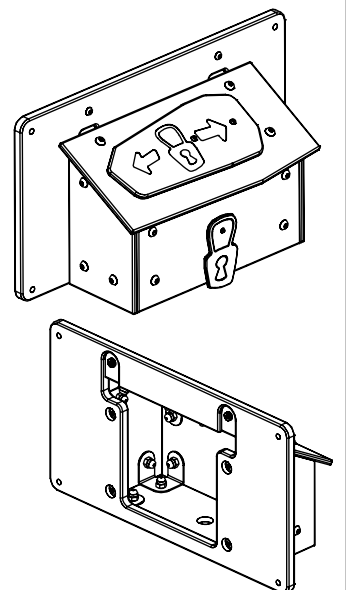
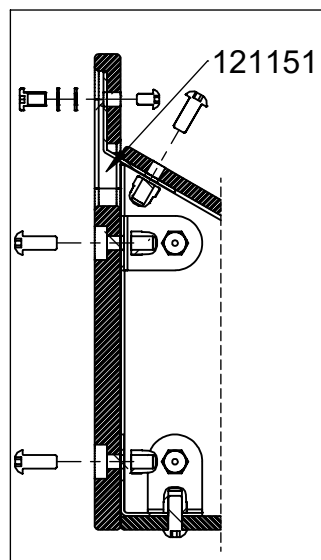
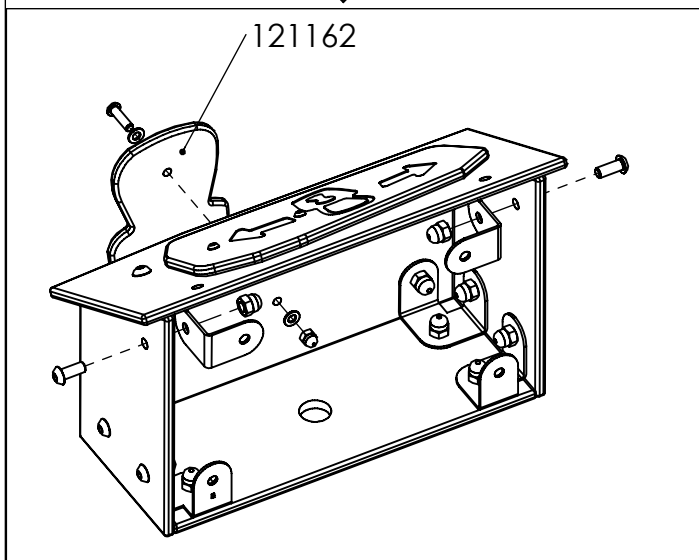
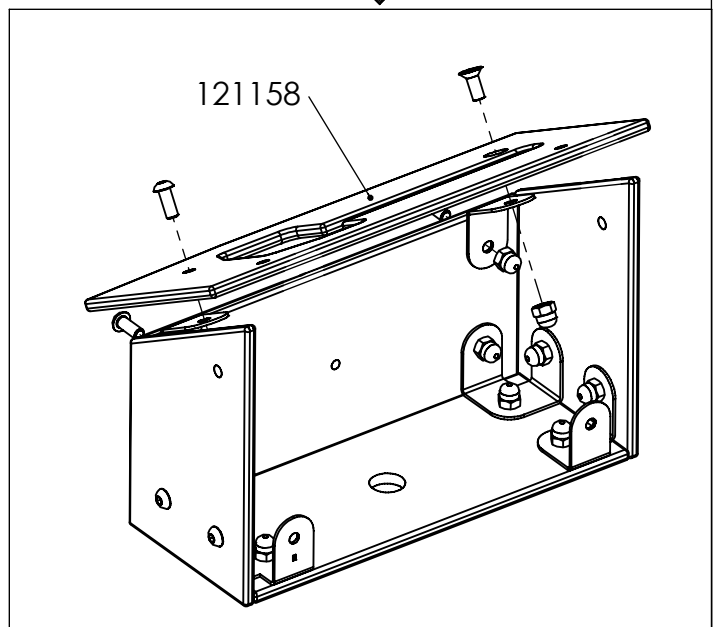
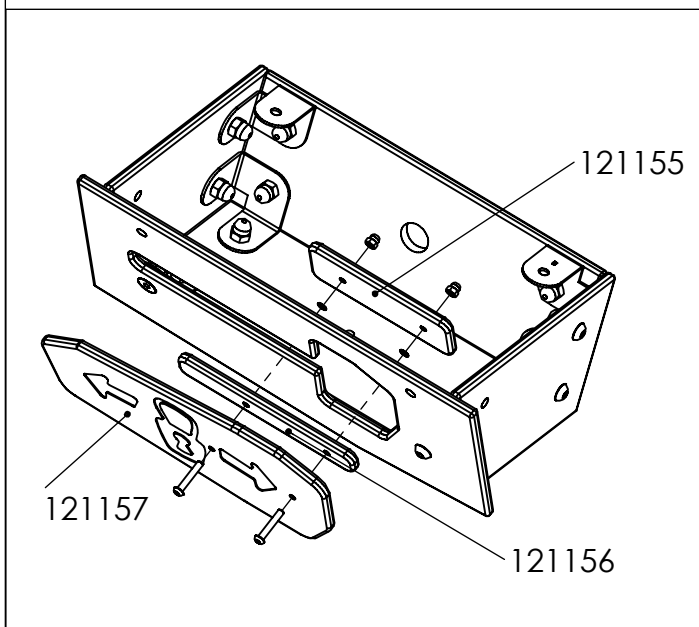
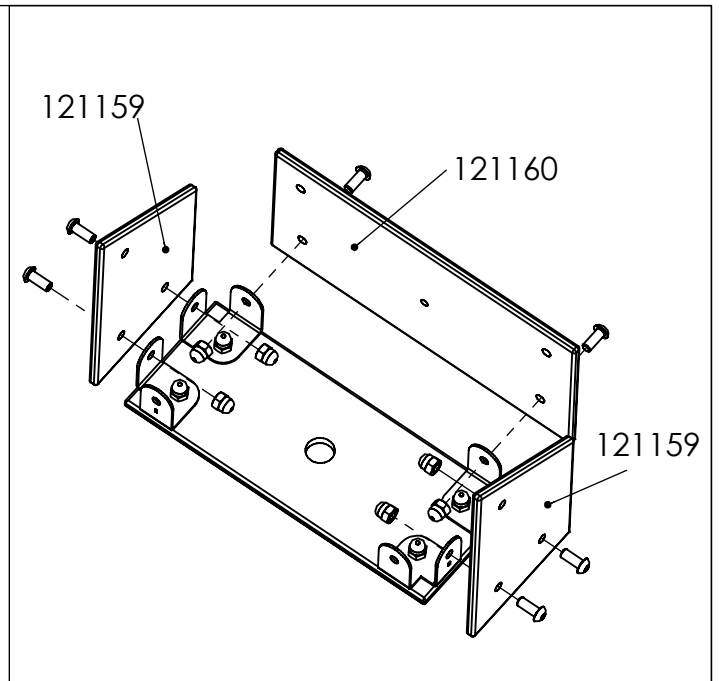
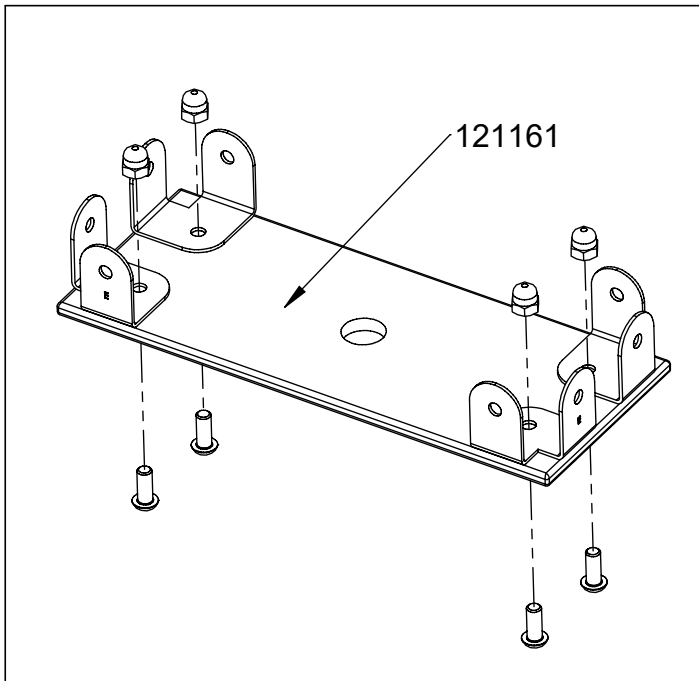
20x 8x30ikl



[cm]

6x 8x25ikl

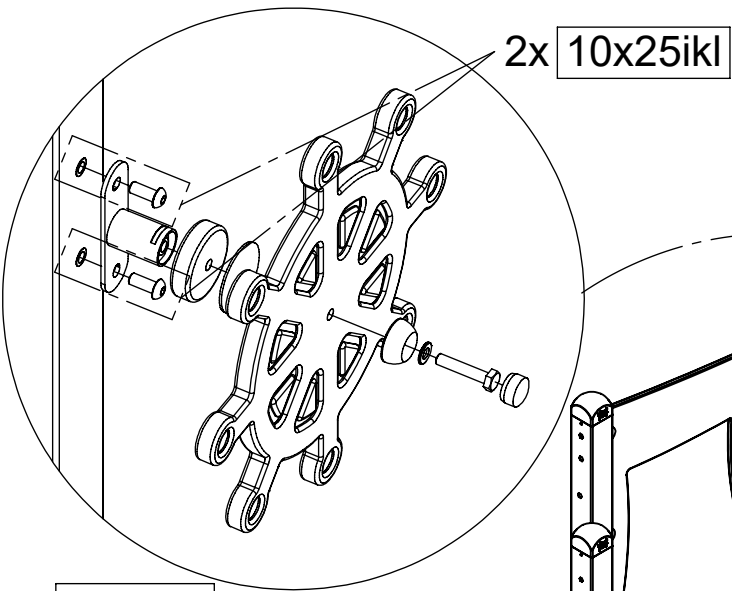
vinci
play



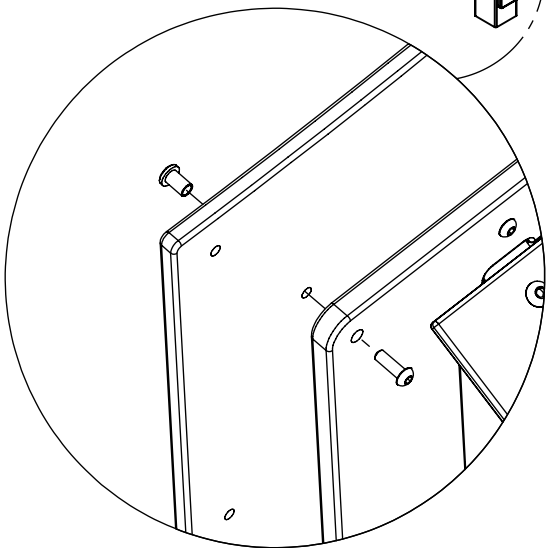
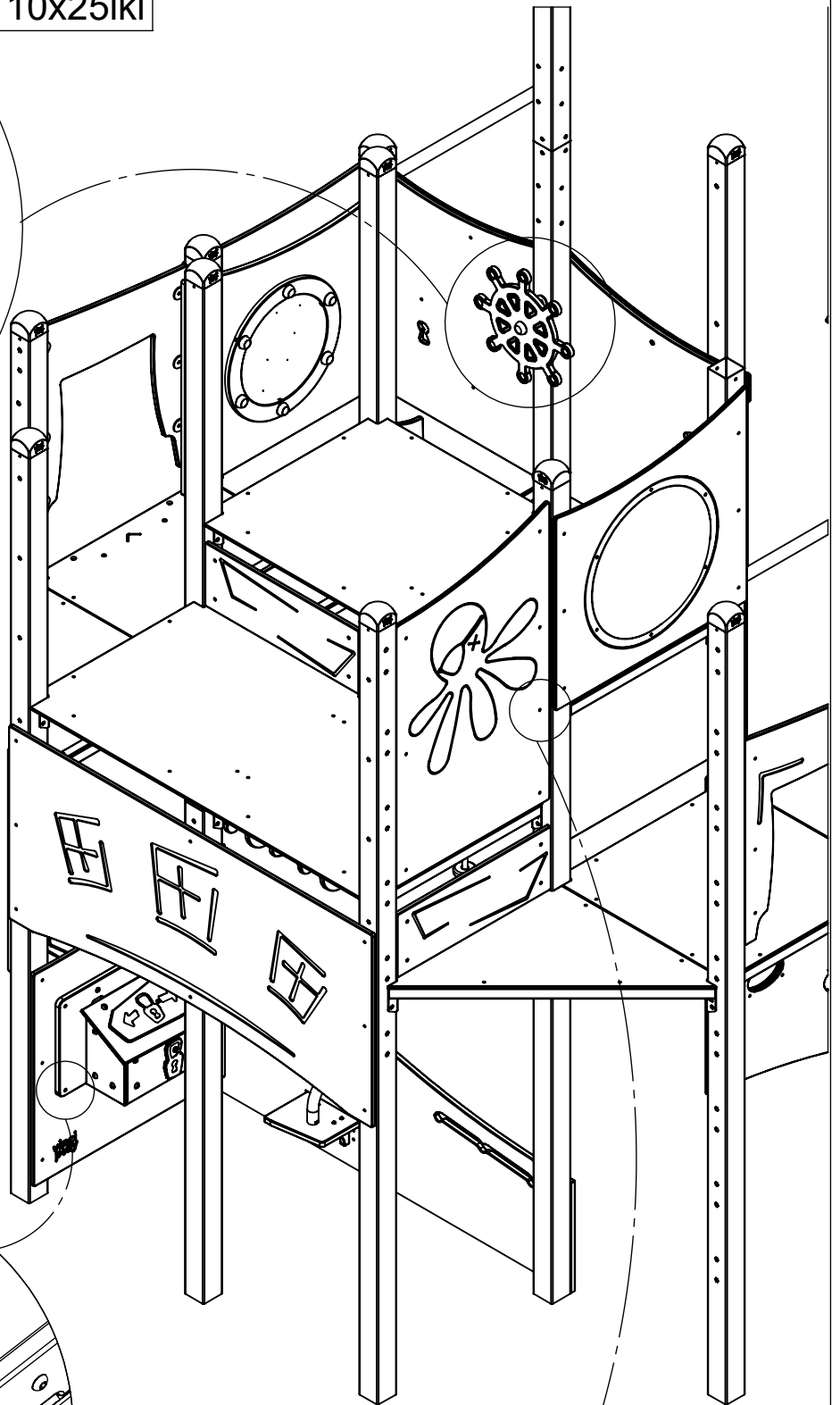
[cm]

1x 12e054

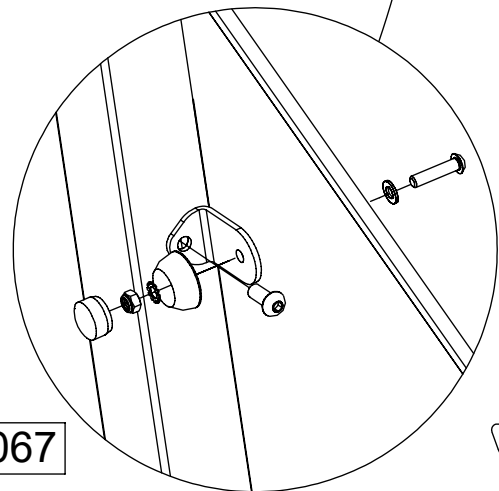
vinci
play



1x 17e026



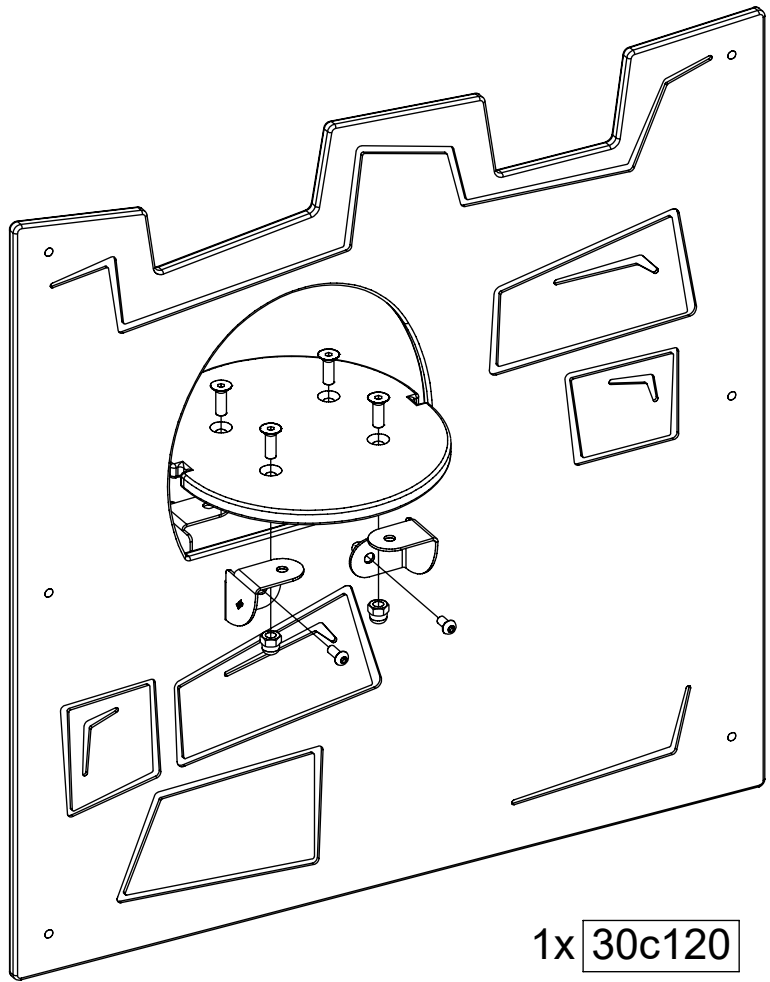
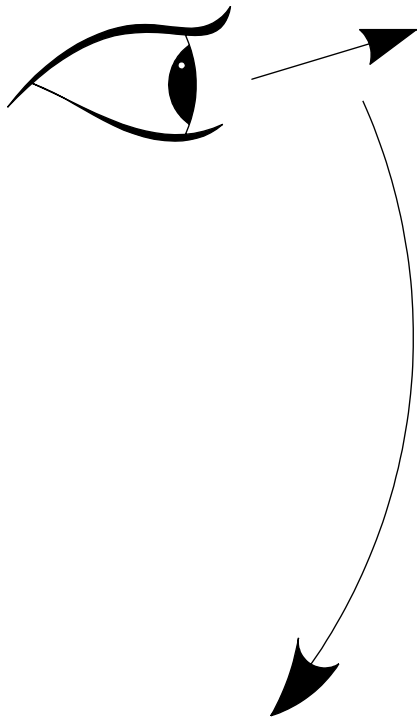
1x 30c134



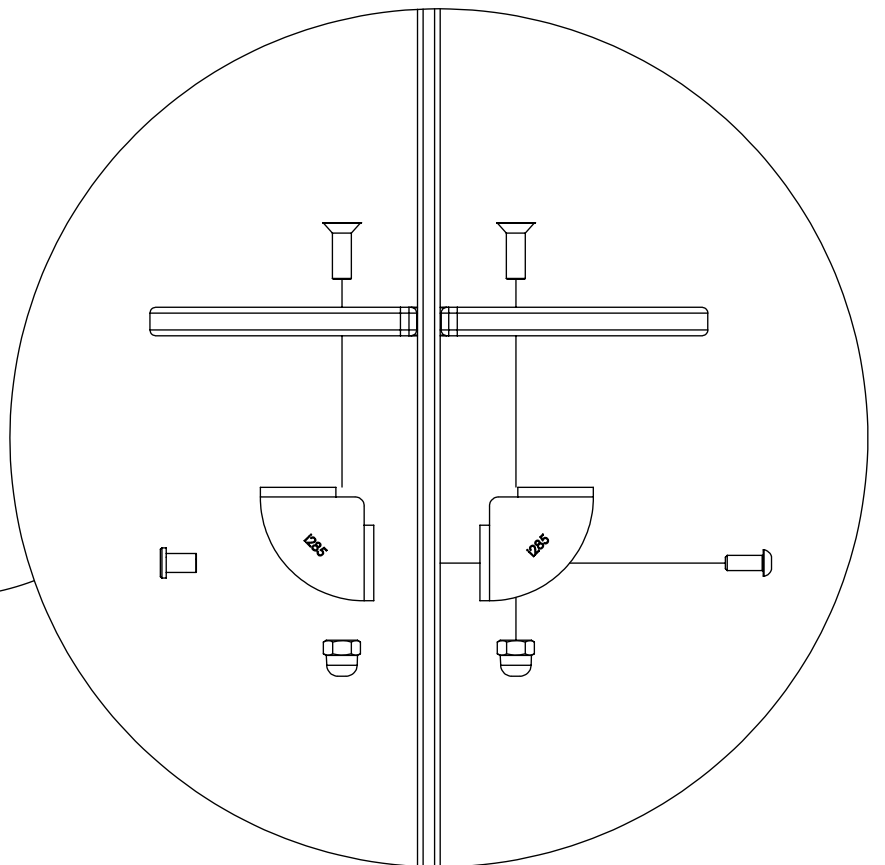
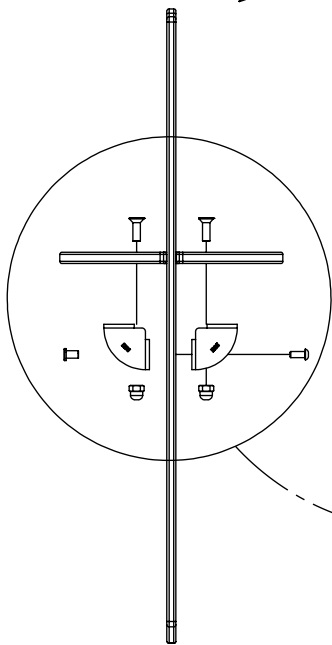
1x 30e067

[cm]

vinci
play

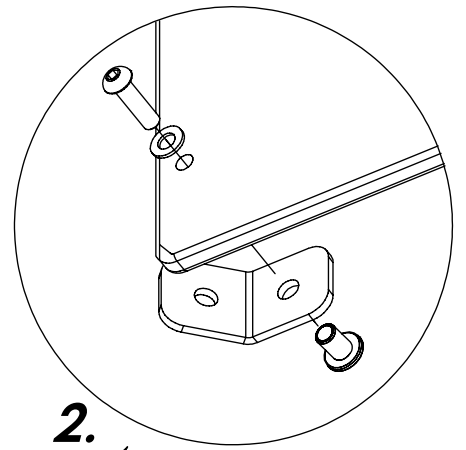
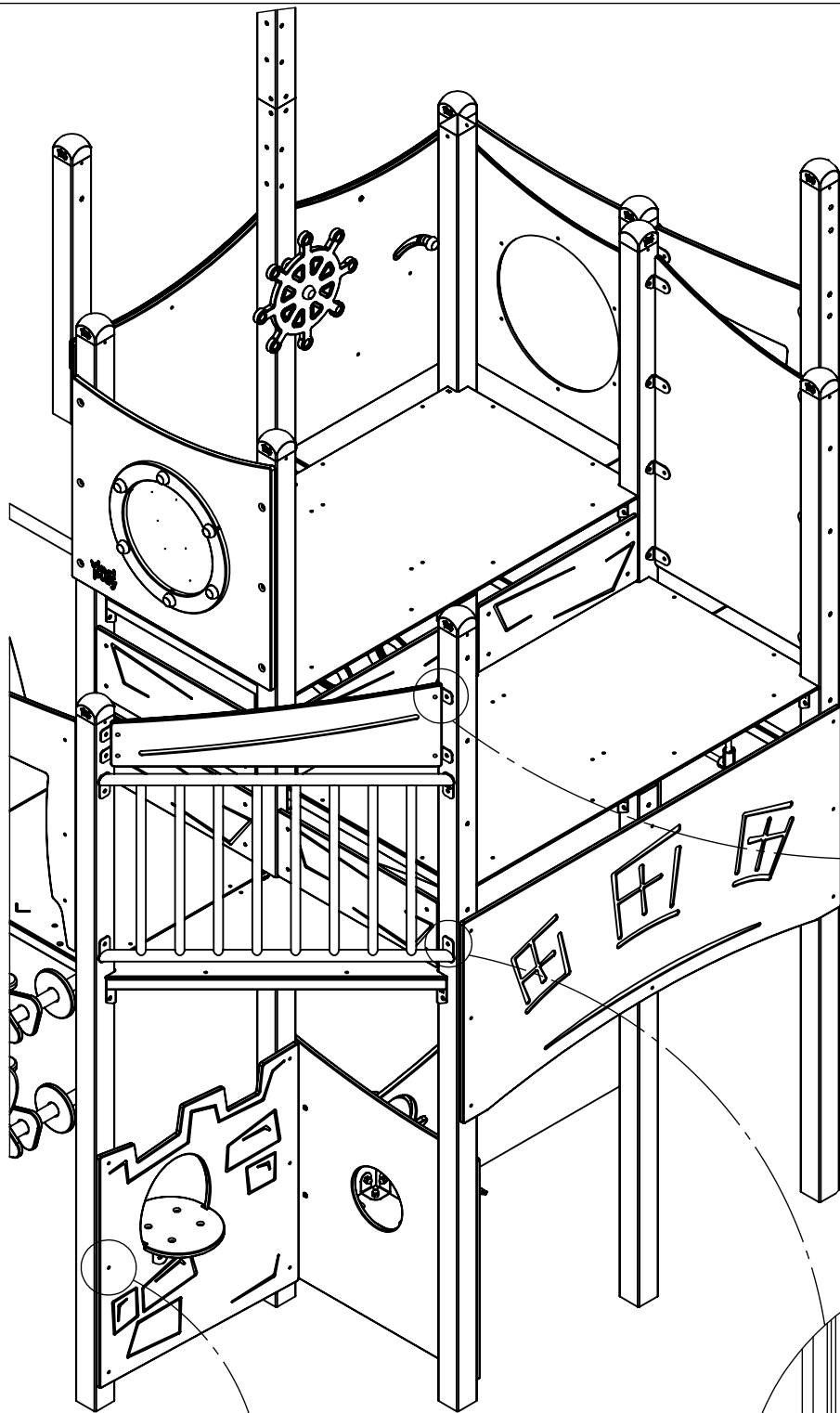


1x 30c120

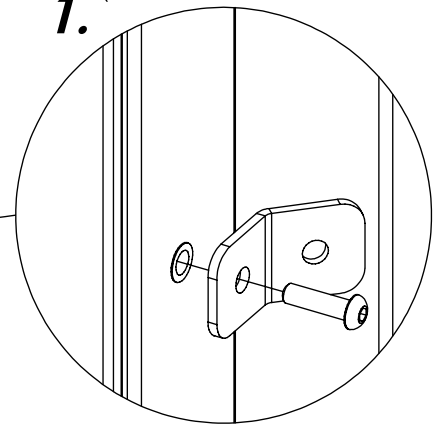


[cm]

vinci
play

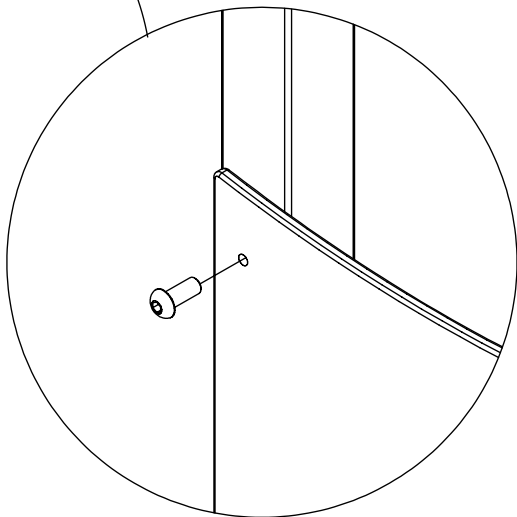


2.

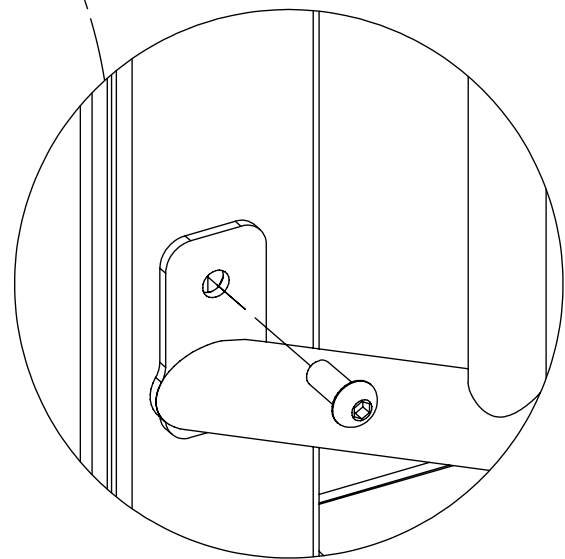


1.

1x 30c138



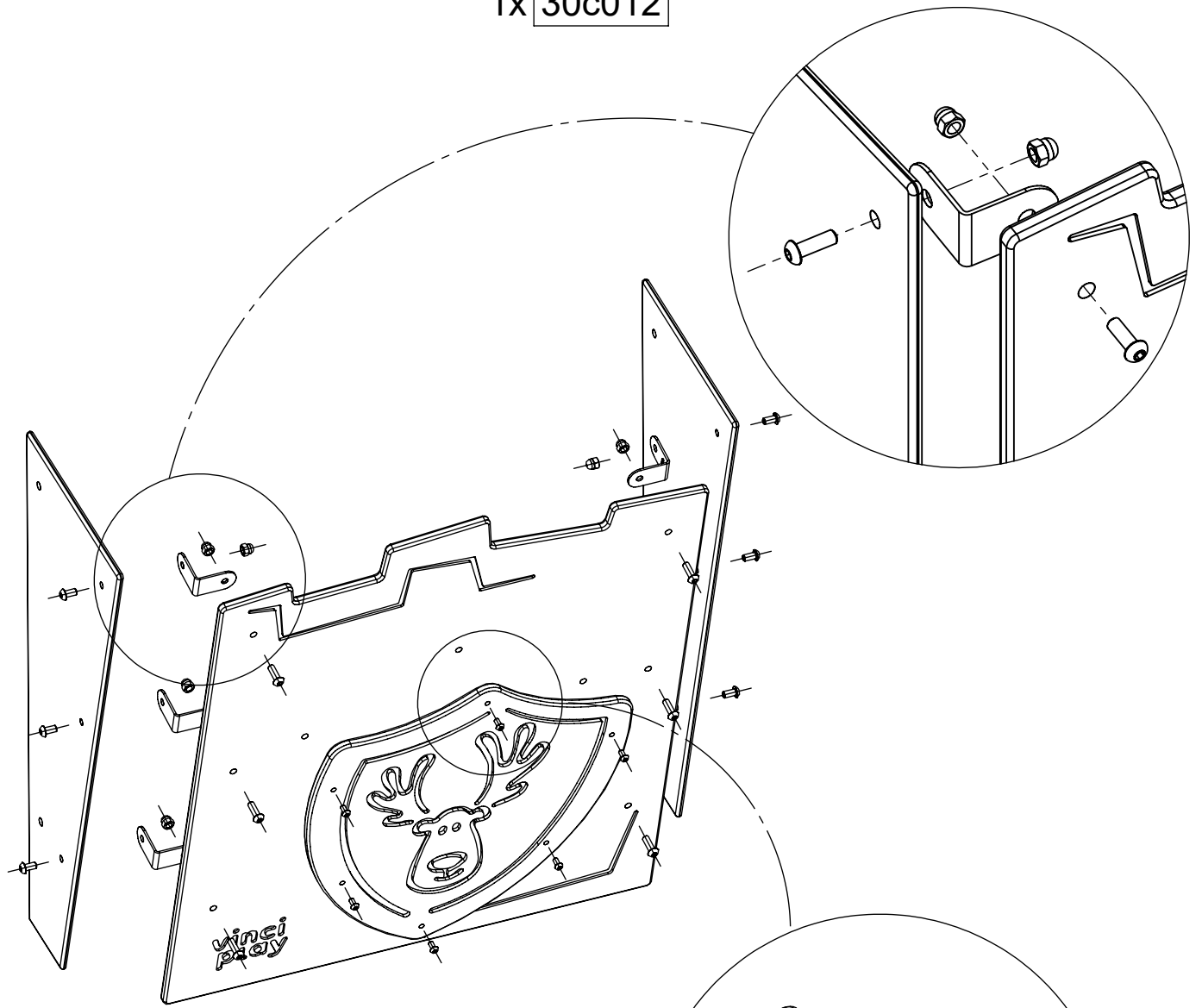
6x 8x30ikl



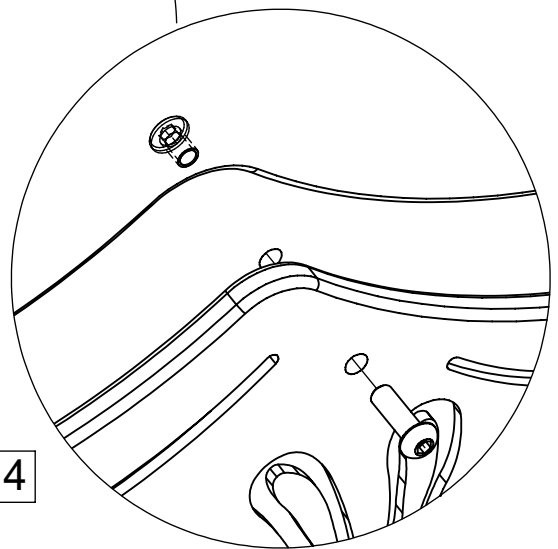
4x 10x25ikl

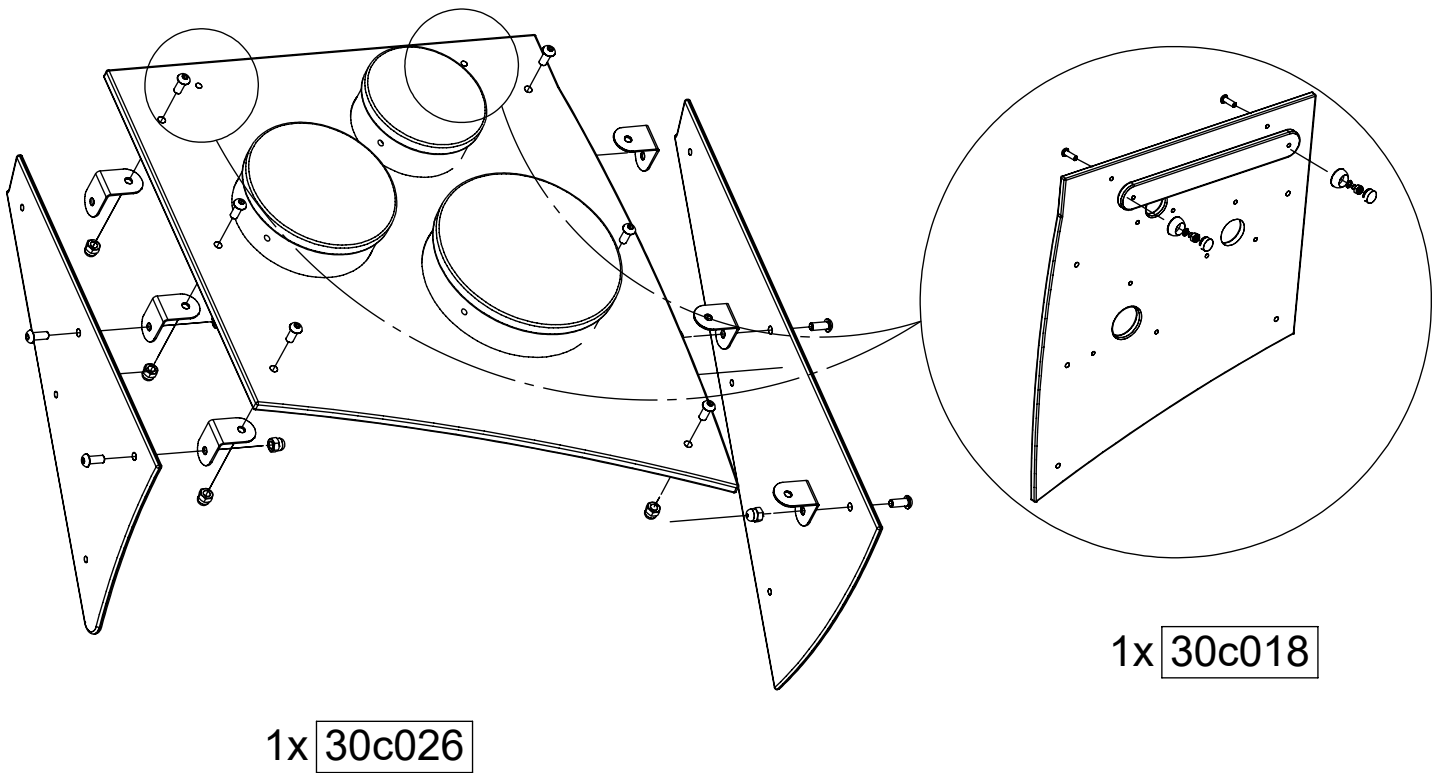
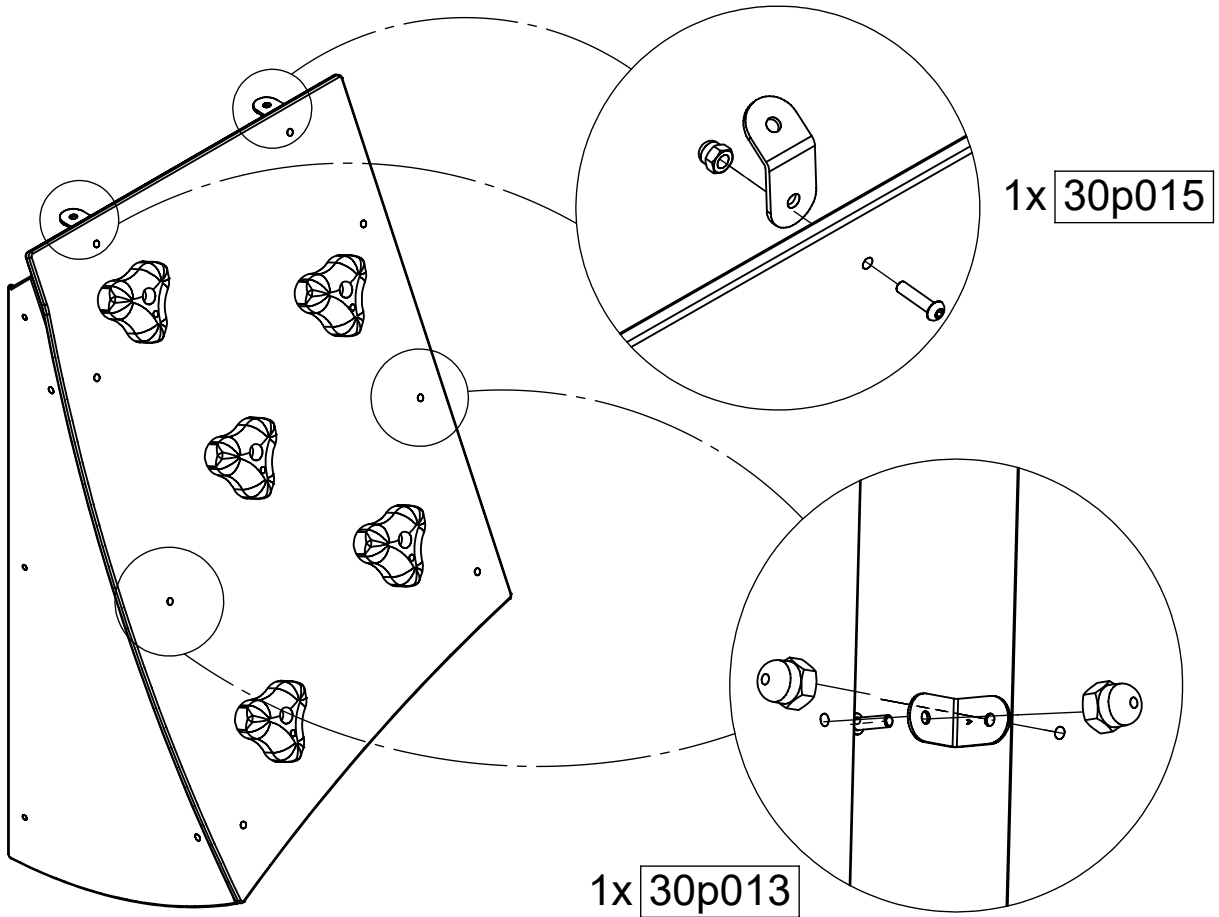
[cm]

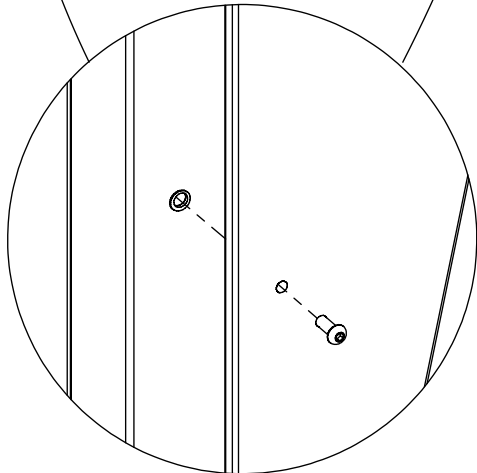
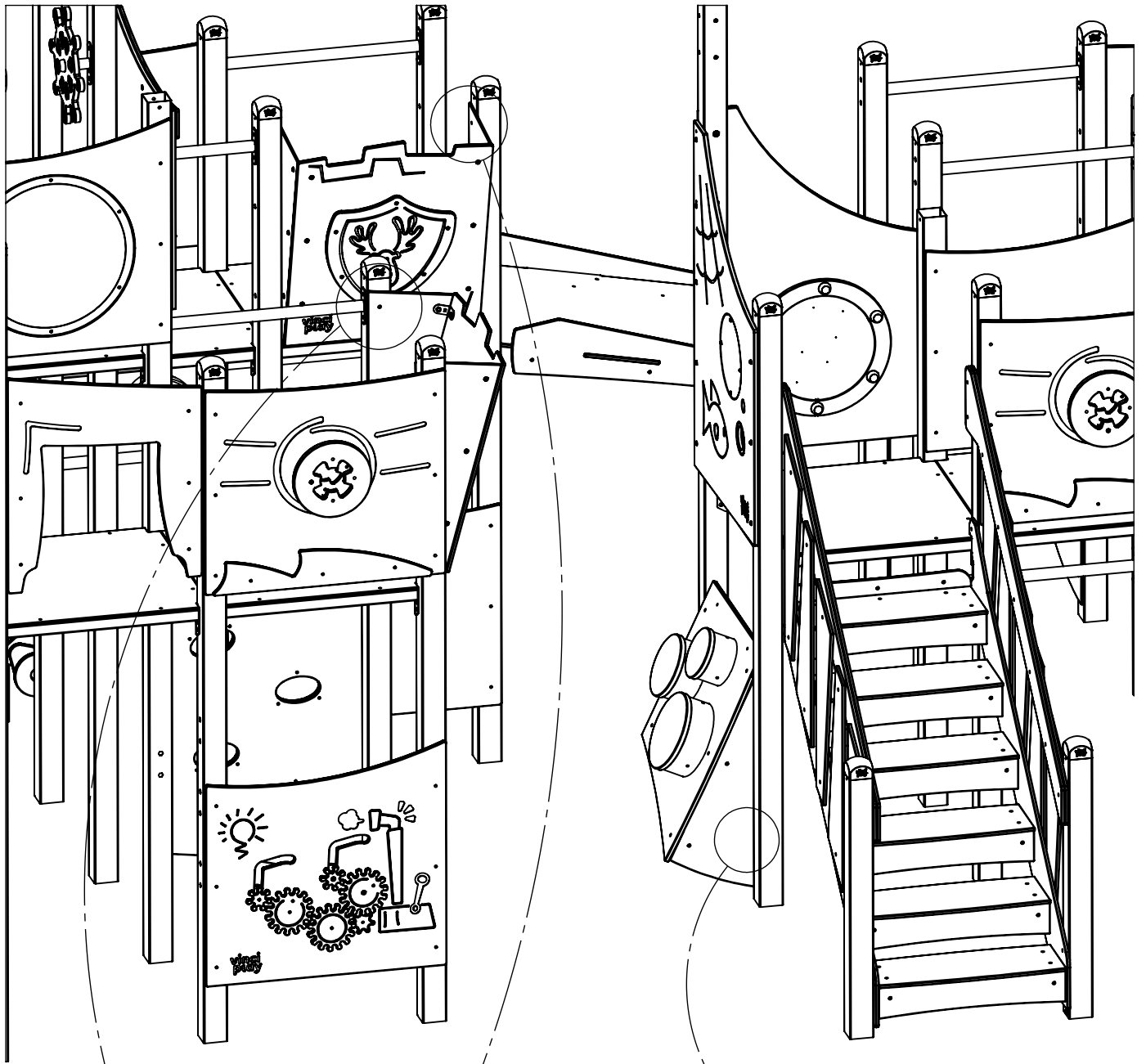
1x 30c012



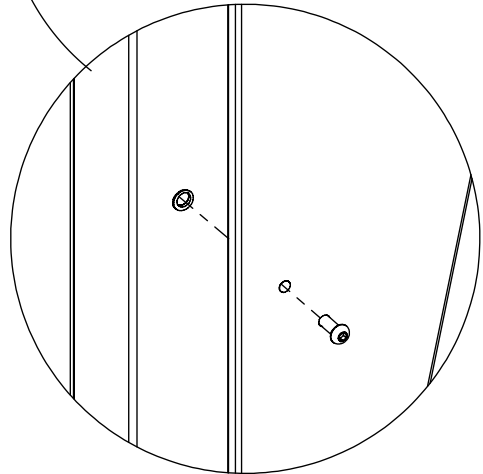
1x 30c114







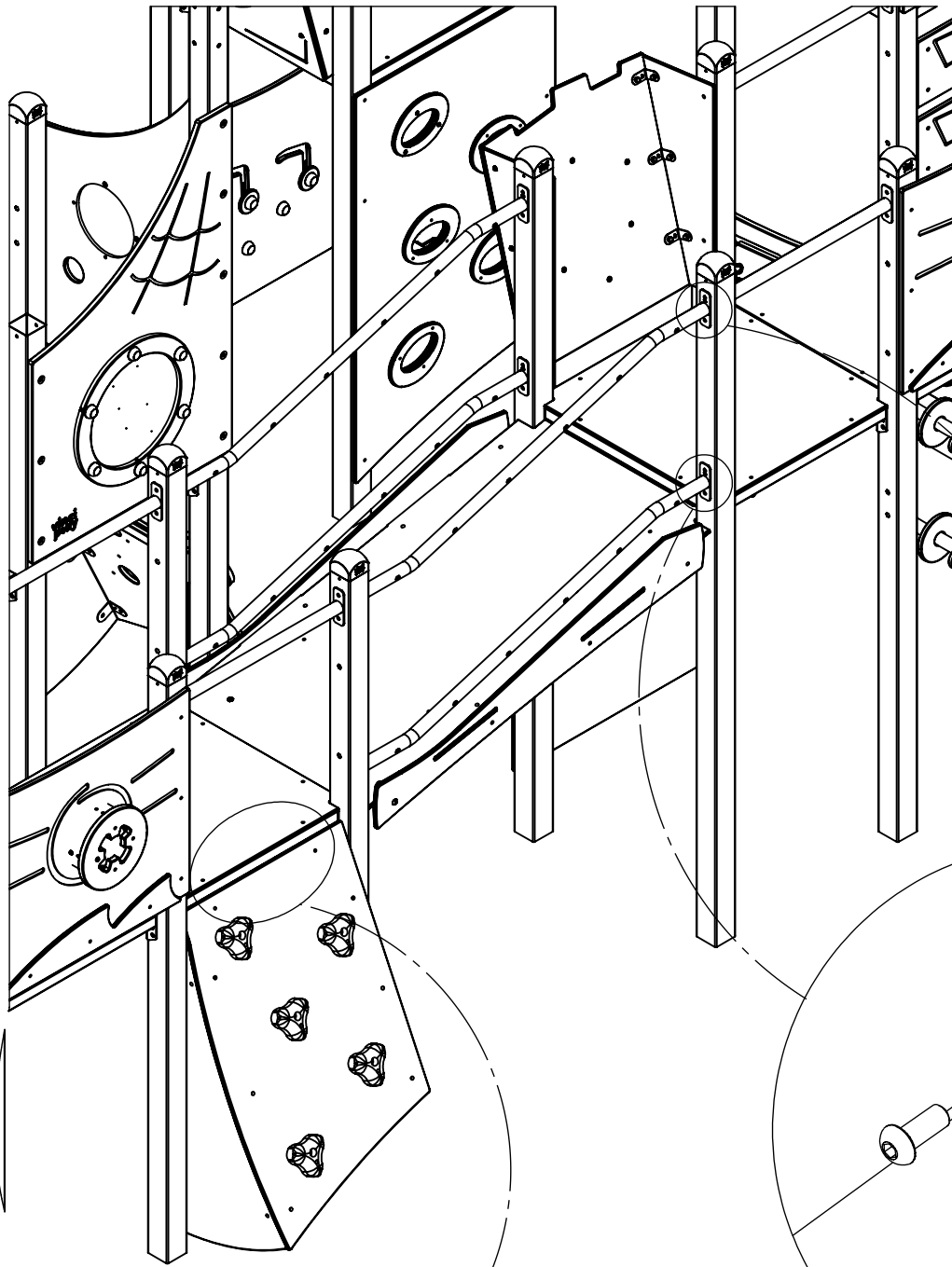
8x 10x25ikl



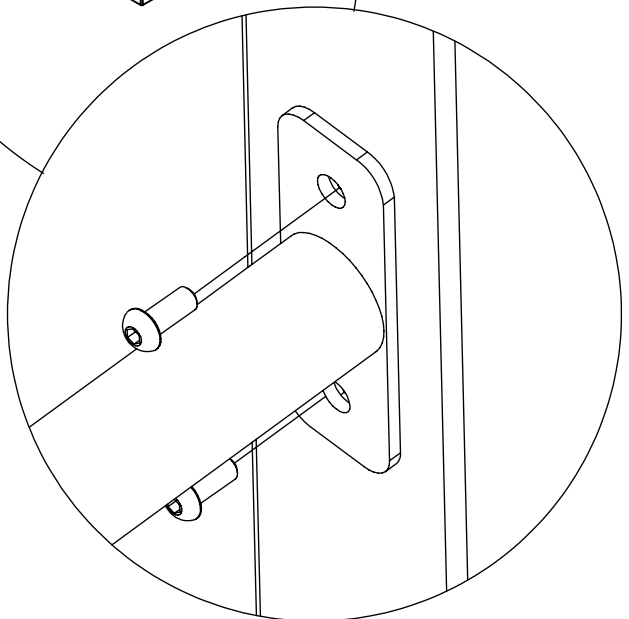
6x 8x25ikl

[cm]

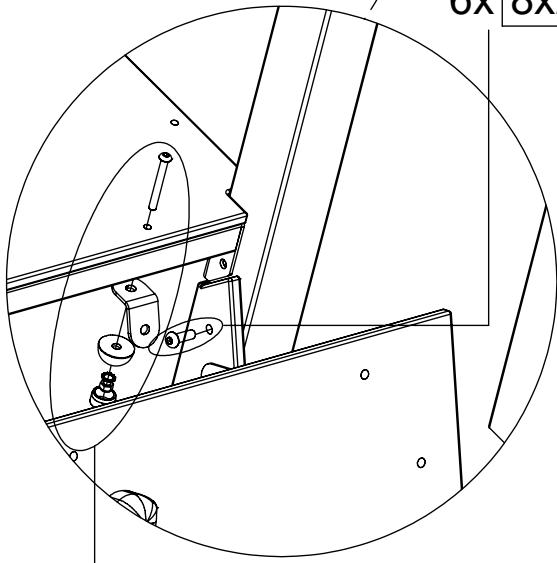
vinci play



16x 10x25ikl

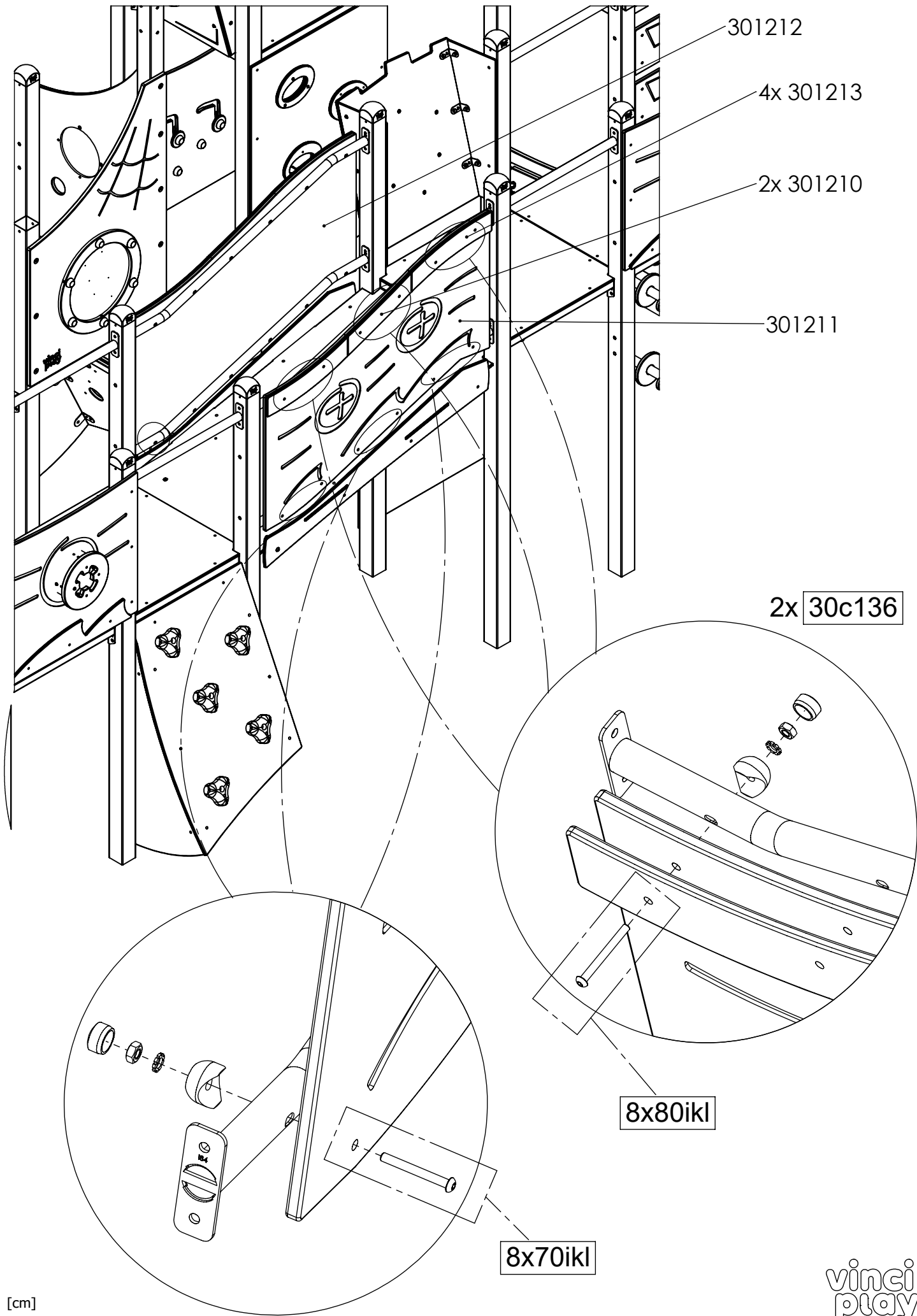


6x 8x25ikl



1x 30p021

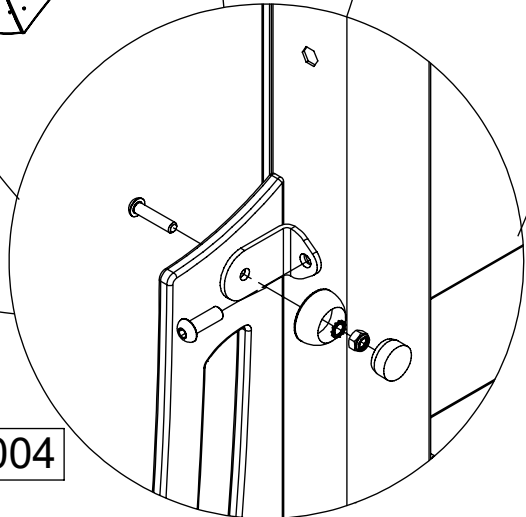
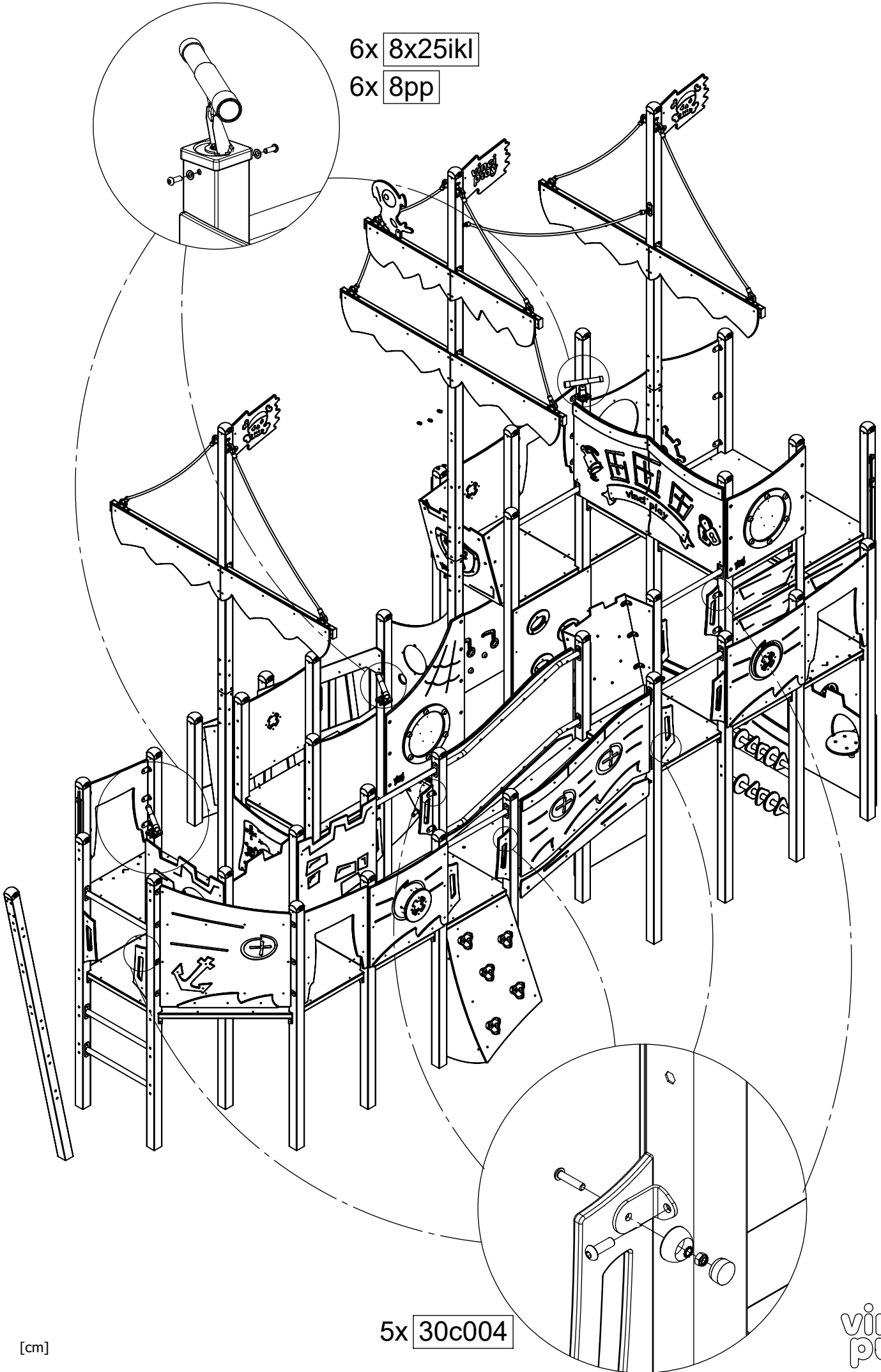
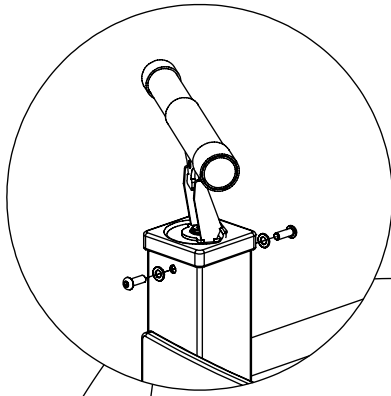
[cm]



[cm]

6x 8x25ikl

6x 8pp

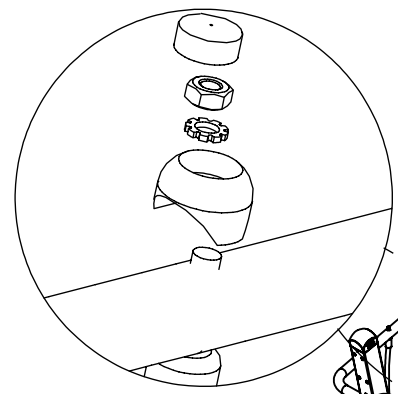


5x 30c004

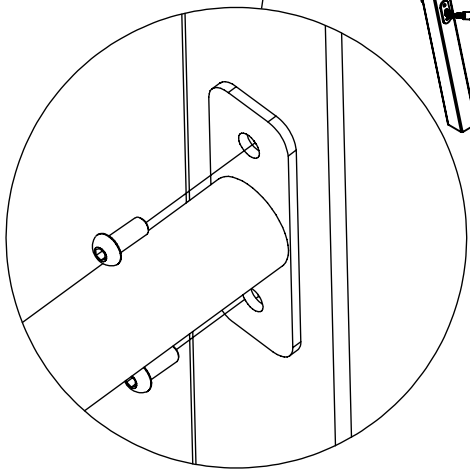
[cm]

vinci
play

2x 30e012



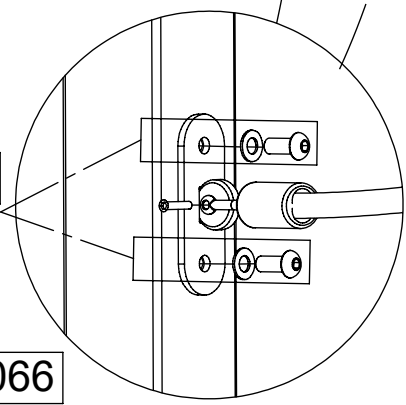
8x 10x25ikl



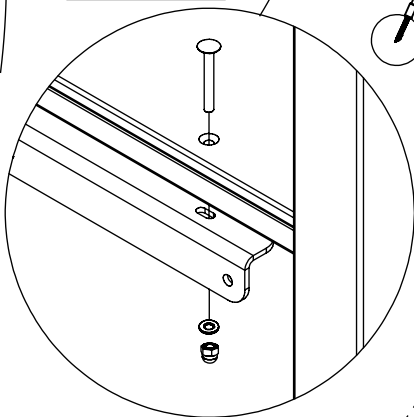
24x 10x25ikl

24x 10pp

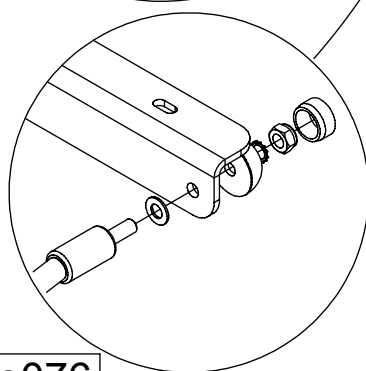
6x 30e066



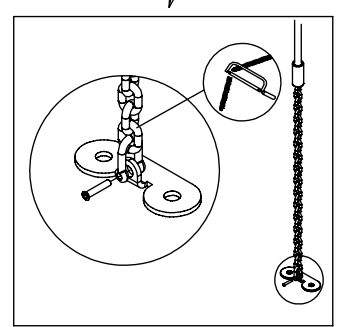
1x 30p037



1x 30e076



3x 30e052



[cm]

vinci play

4x 10x25ikl

4x 10pp

1x 30e030

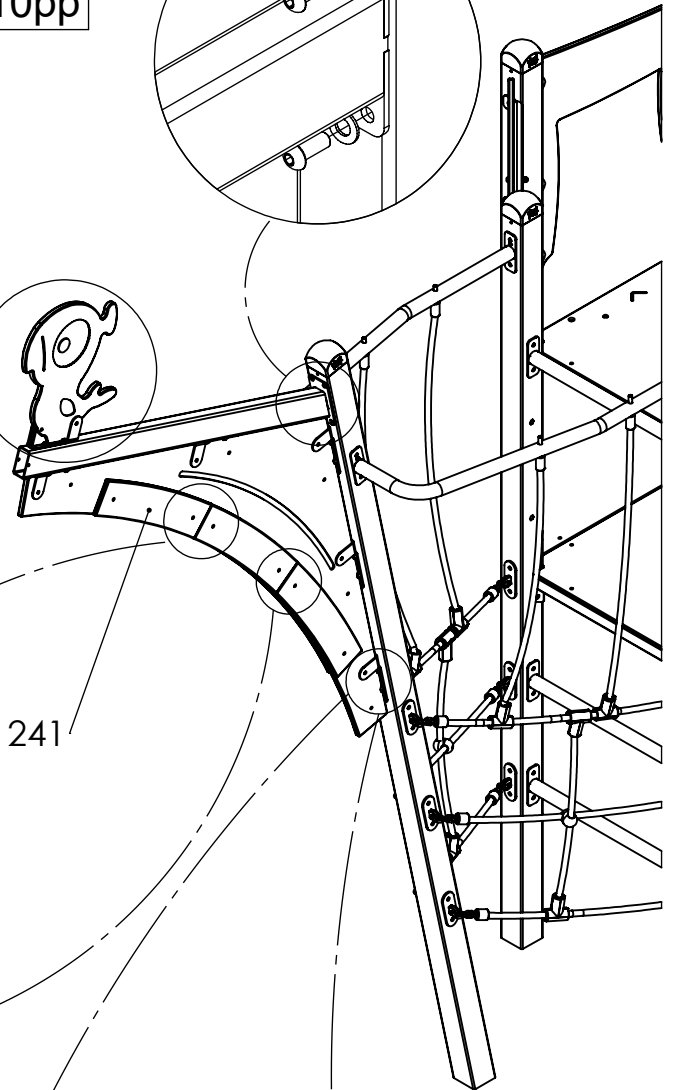
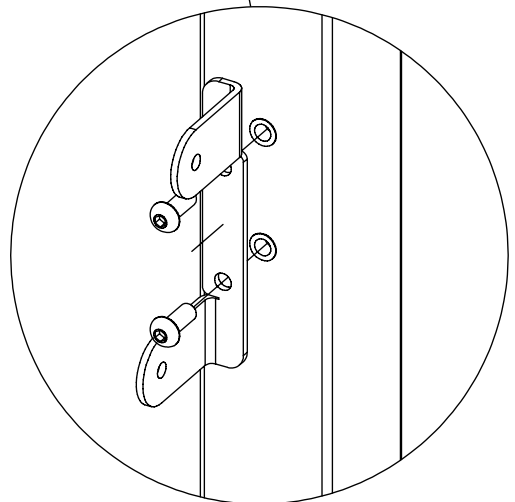
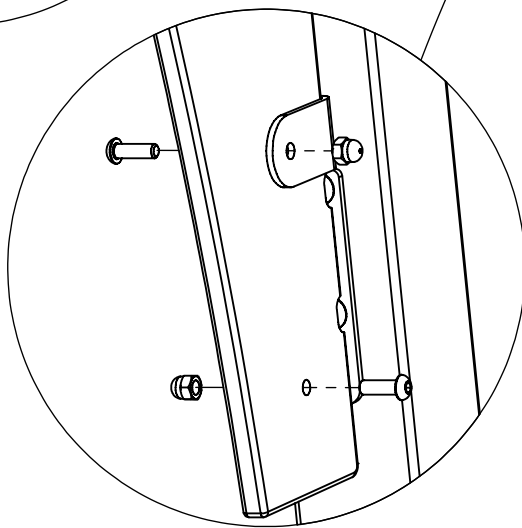
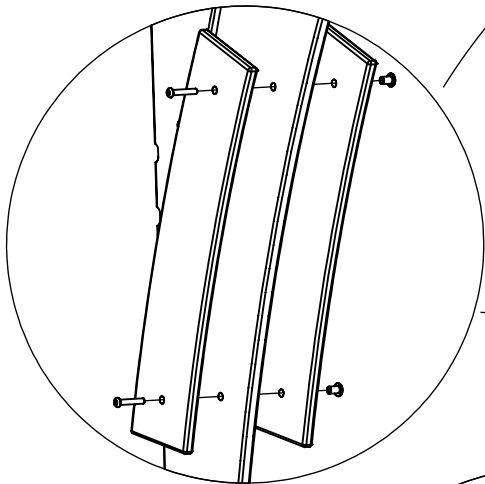
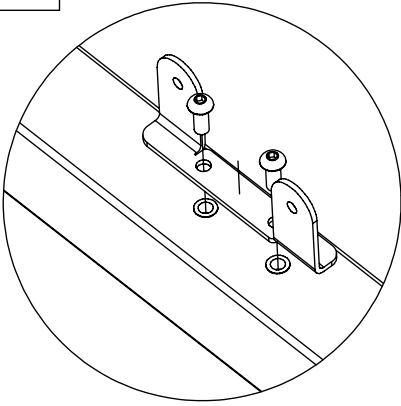
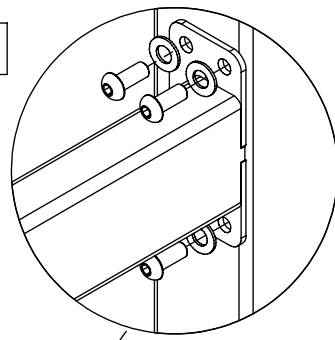
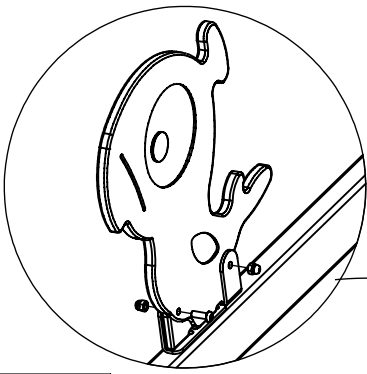
6x 301241

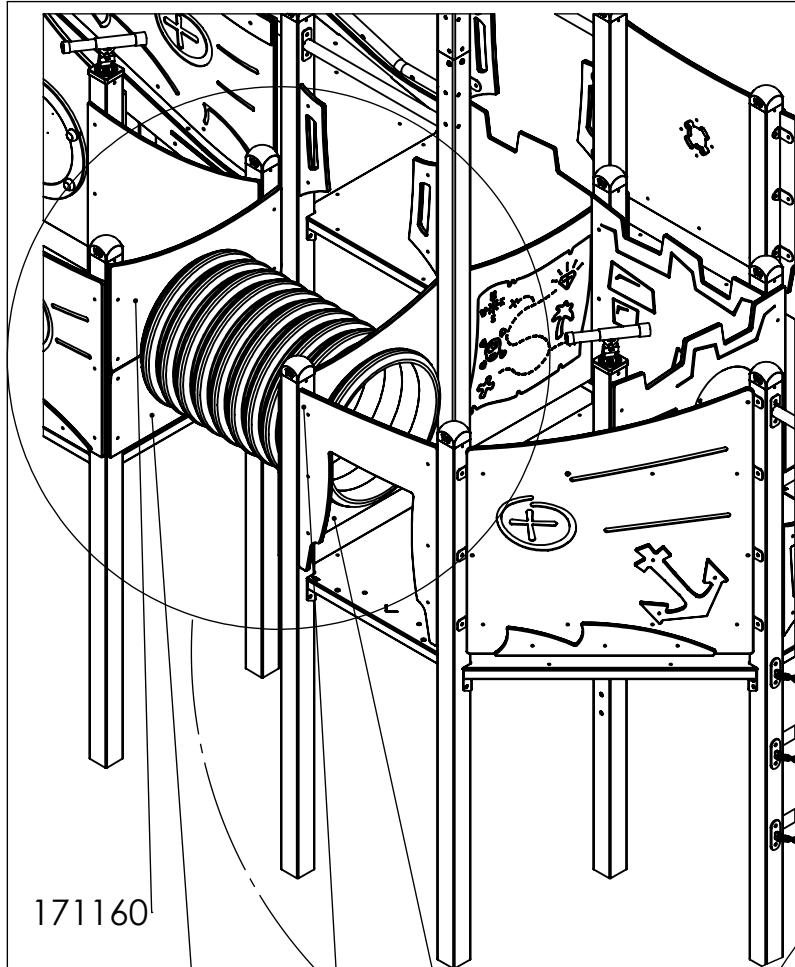
1x 30c128

5x 30e030

[cm]

vinci
play



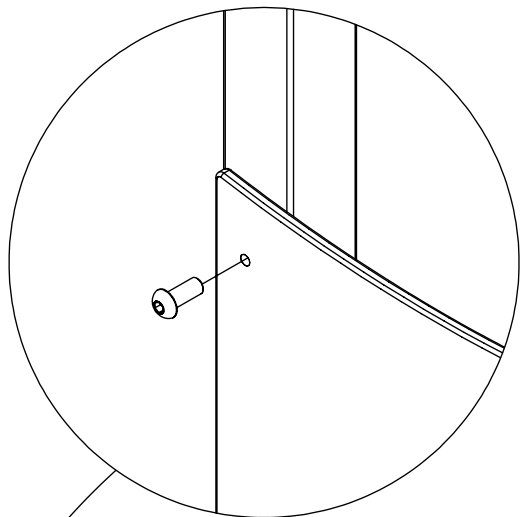


171160

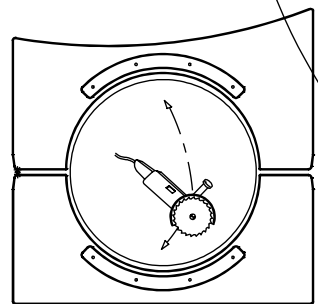
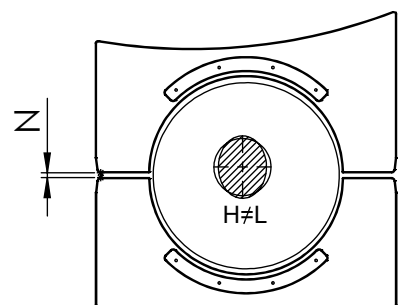
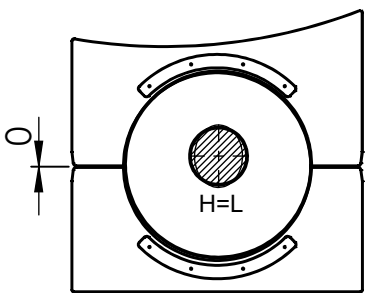
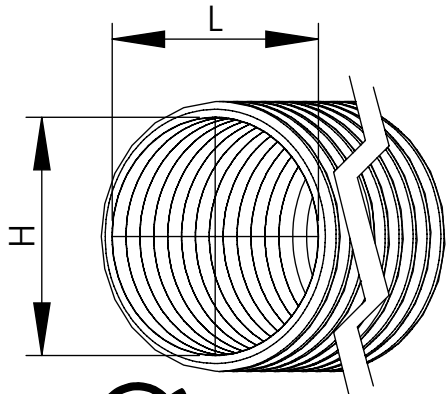
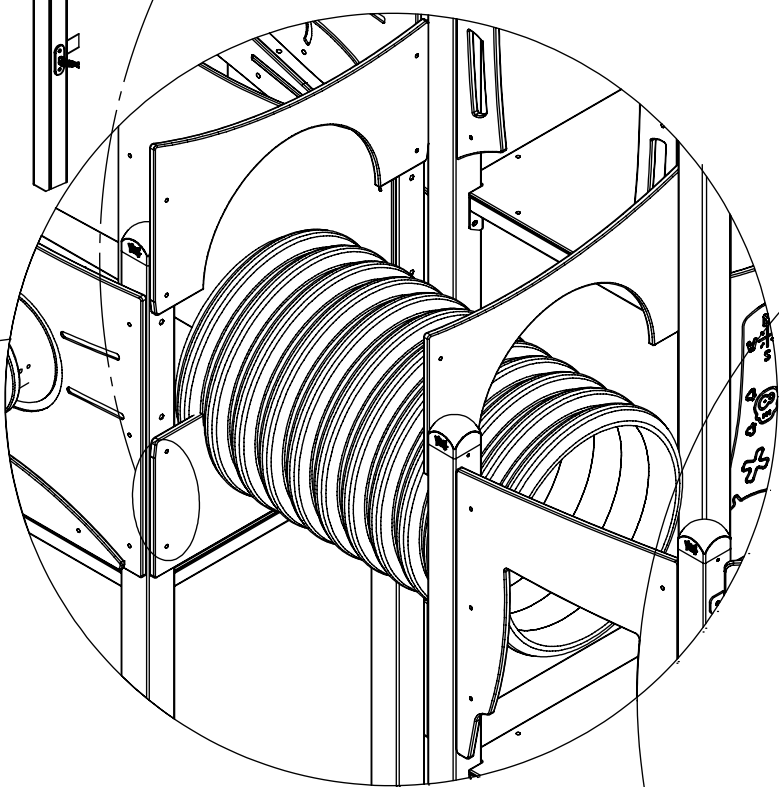
171161

171212

171211

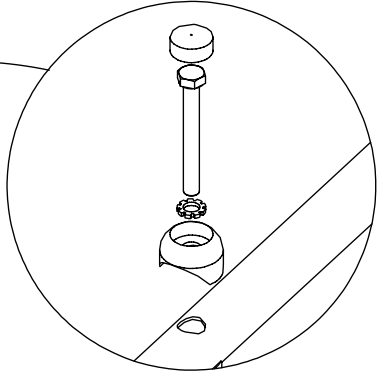
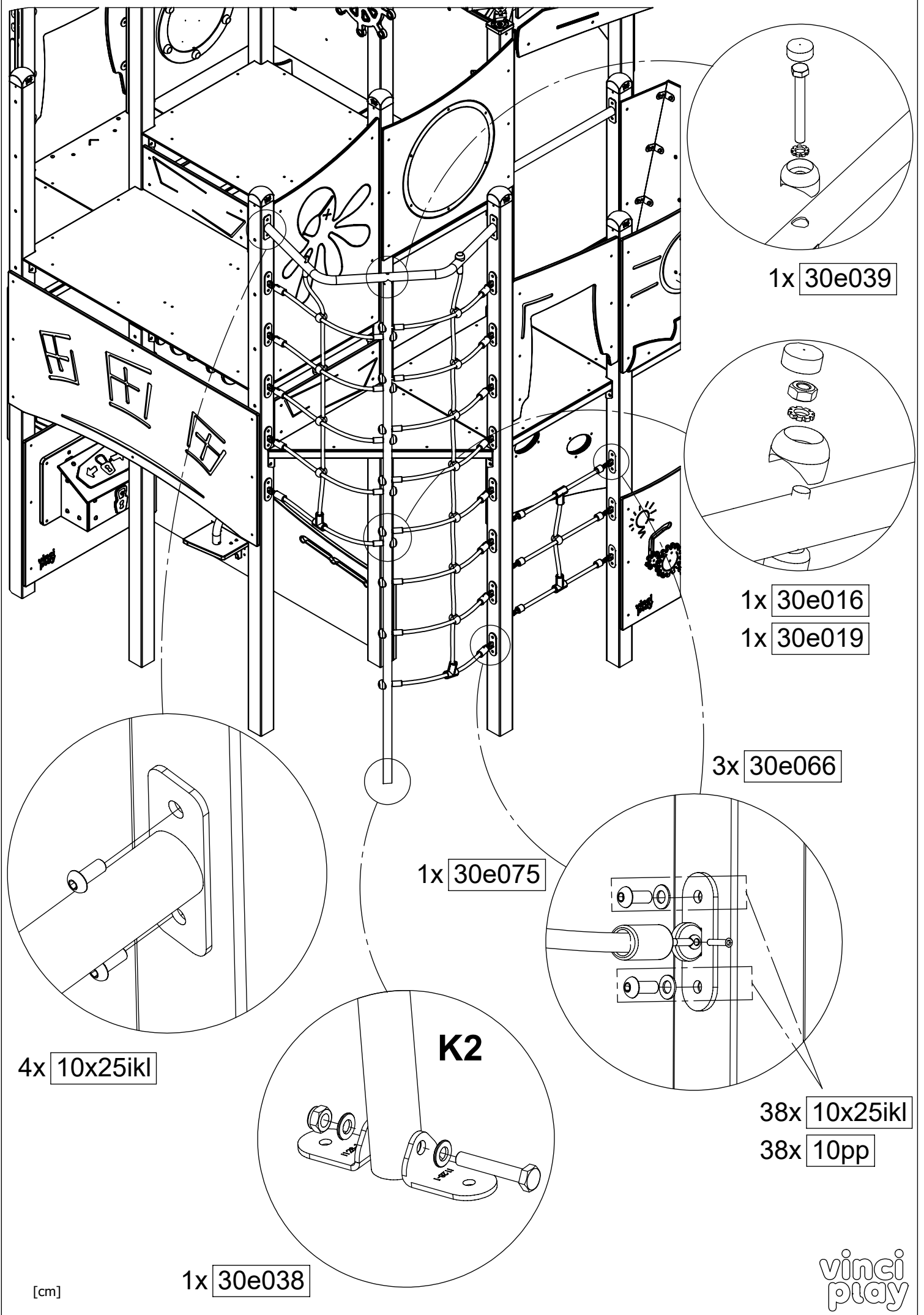


16x 8x30i kl

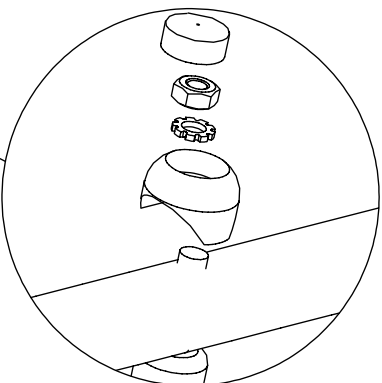


[cm]

vinci play



1x 30e039

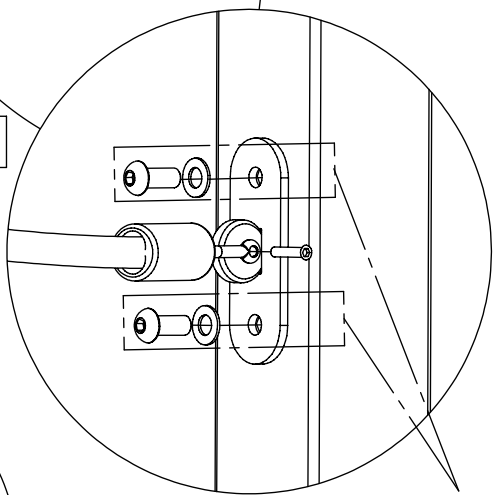


1x 30e016

1x 30e019

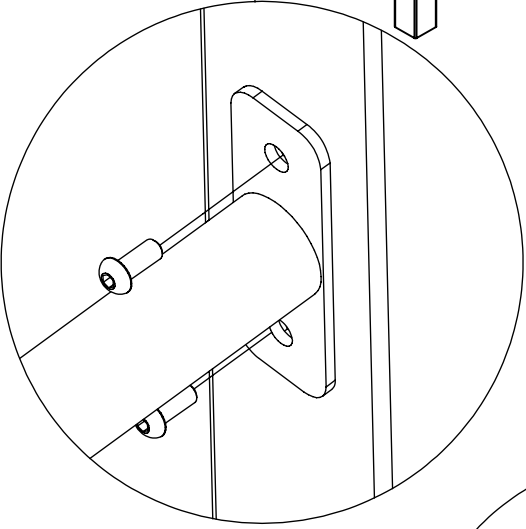
3x 30e066

1x 30e075

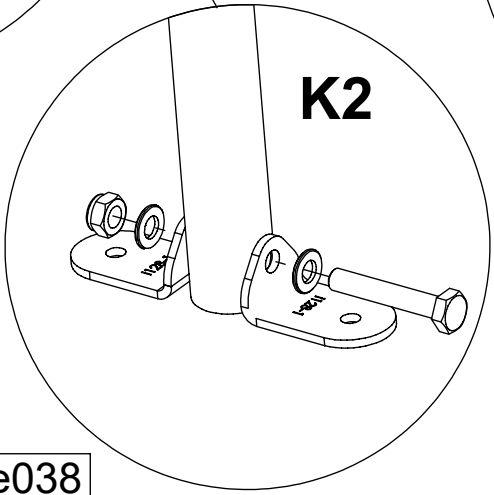


38x 10x25ikl

38x 10pp



4x 10x25ikl

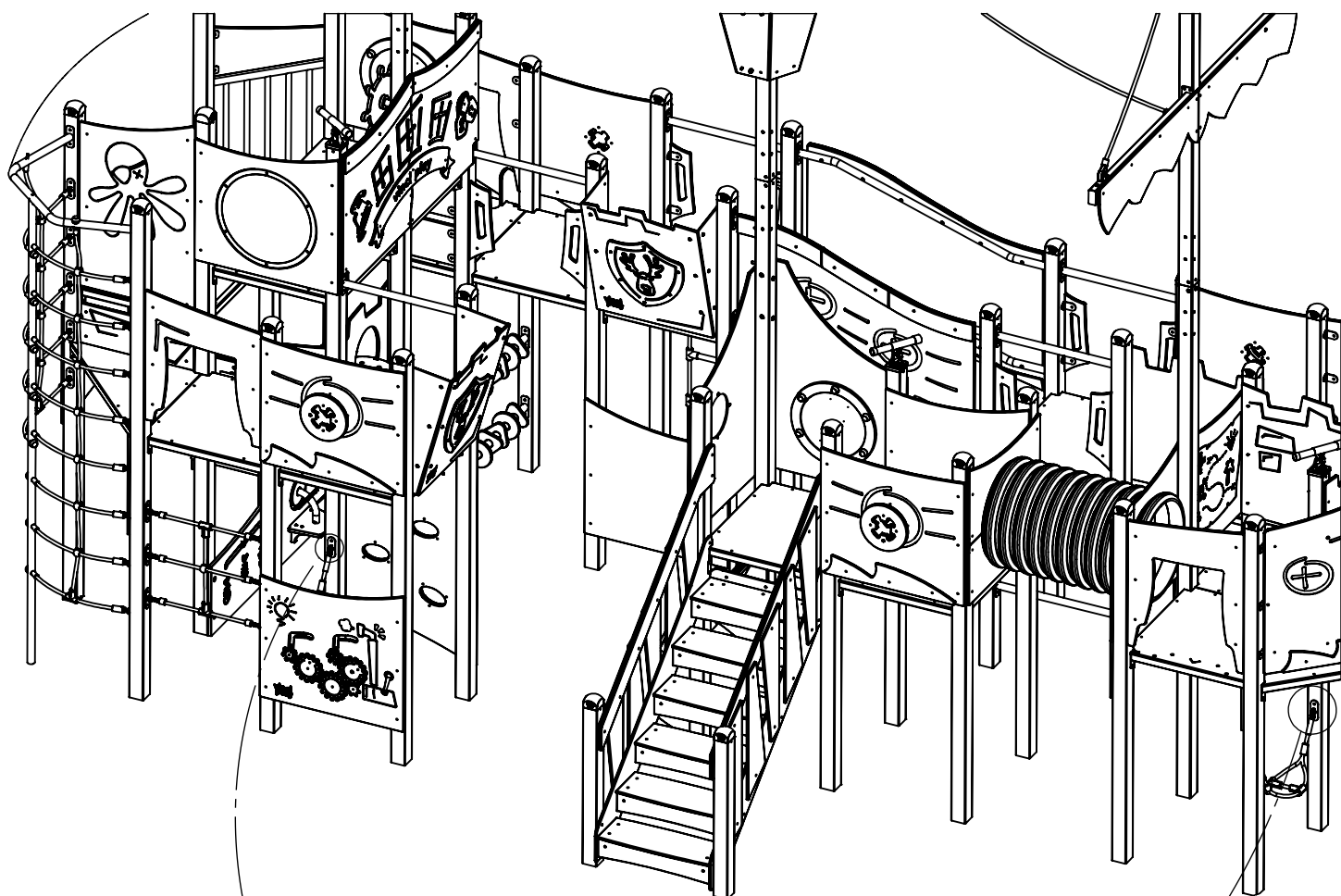


K2

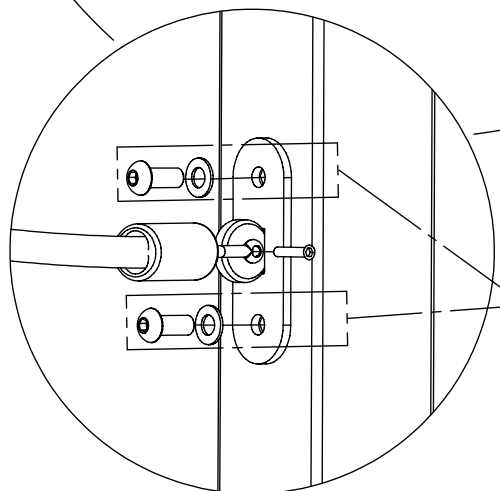
1x 30e038

[cm]

vinci
play



2x 30e050

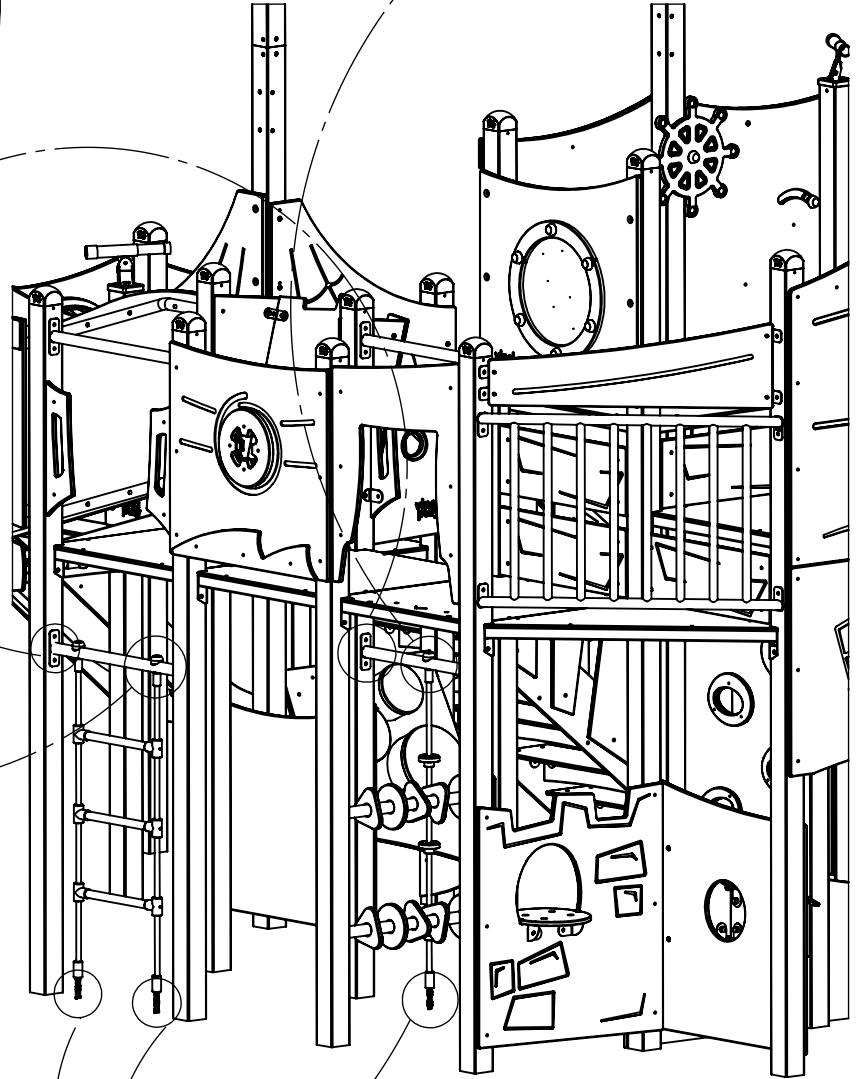
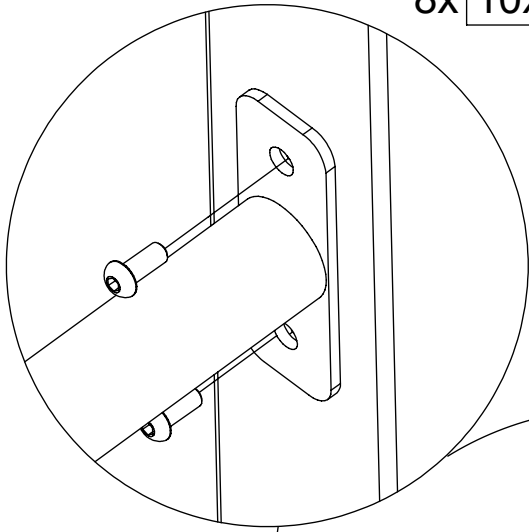
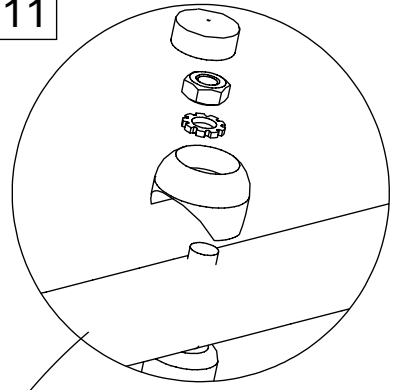


8x 10x25ikl

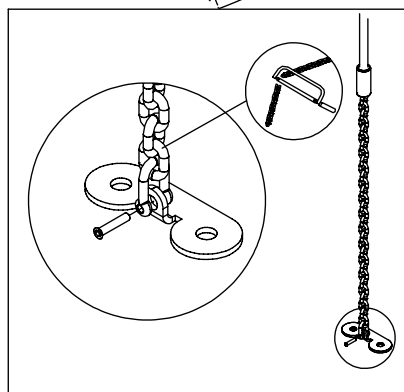
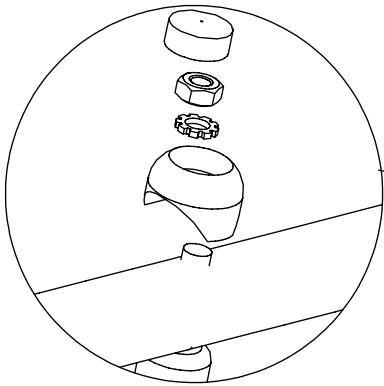
8x 10pp

1x 30e011

8x 10x25ikl



1x 30e012

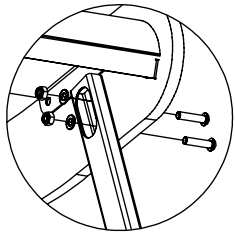
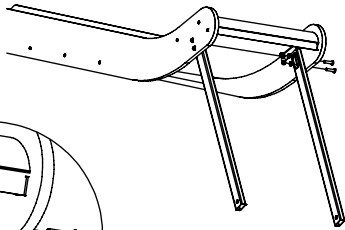


3x 30e052

[cm]

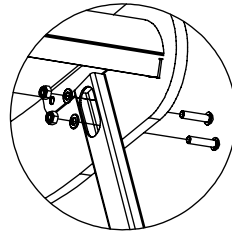
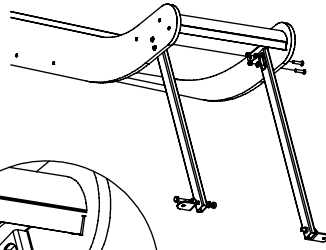
vinci play

K1/23

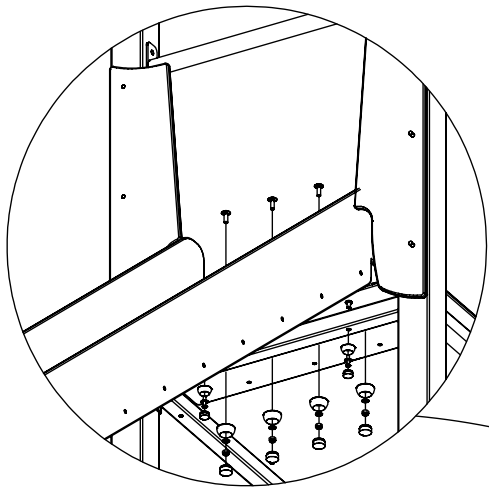
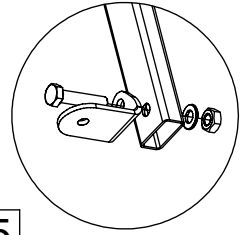


1x 30e034

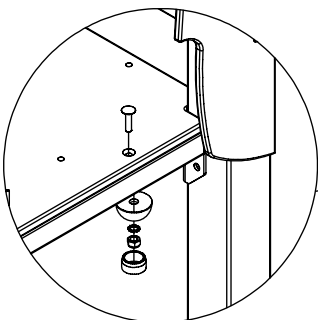
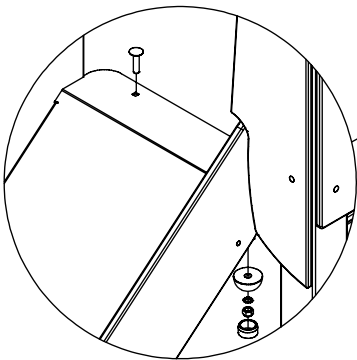
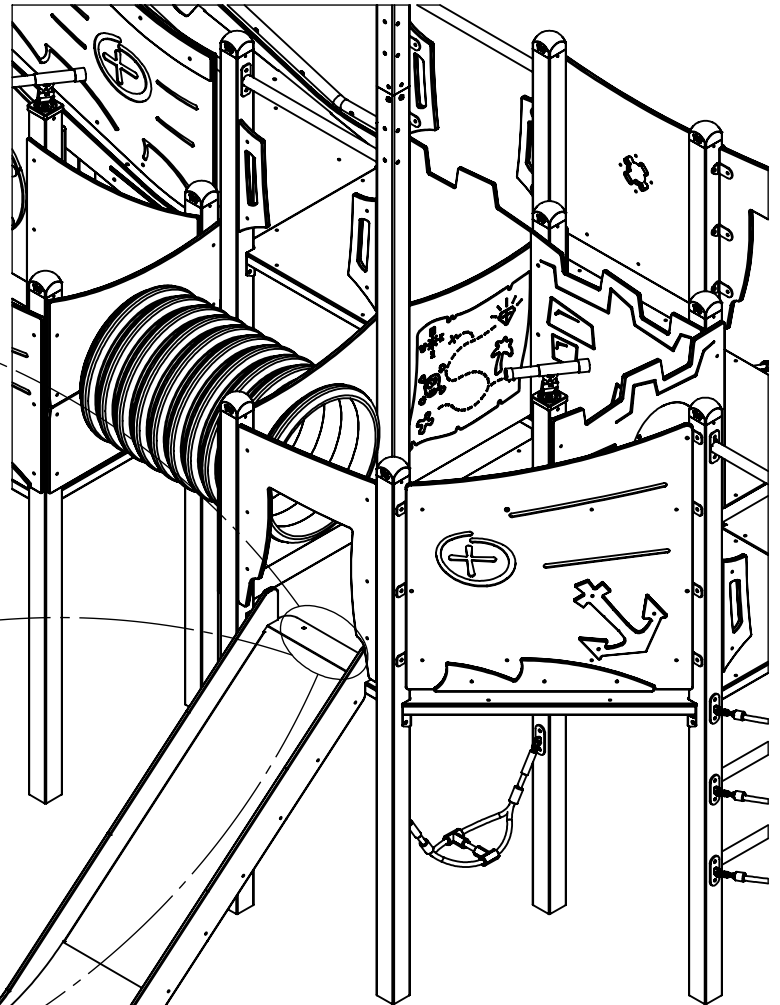
K2



1x 30e035



1x 30p019

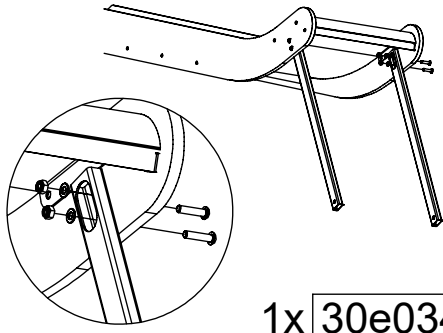


1x 30p017

[cm]

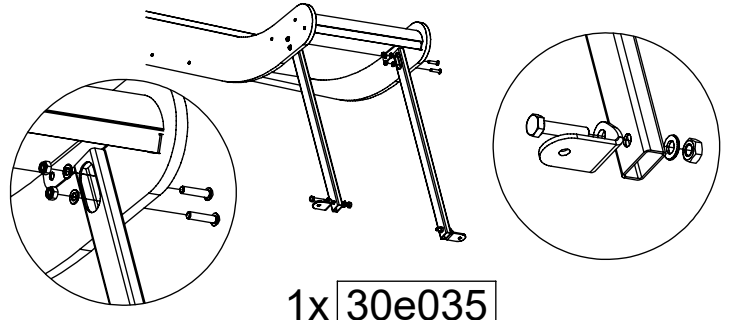
vinci
play

K1/23



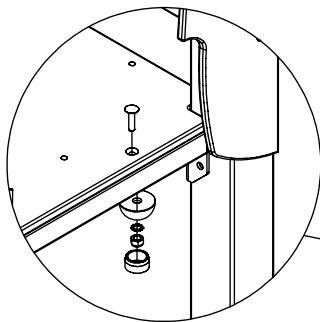
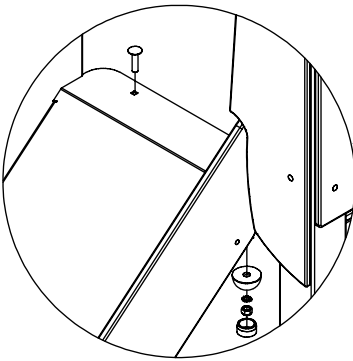
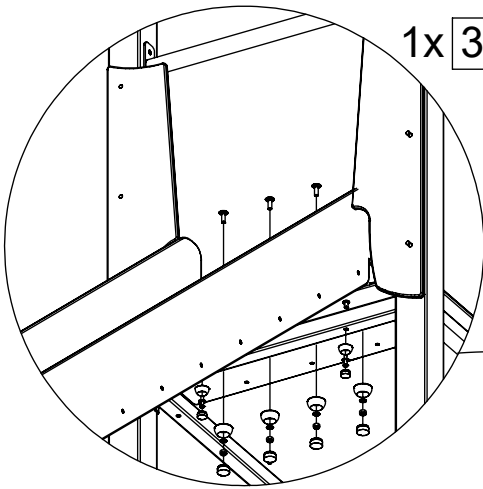
1x 30e034

K2

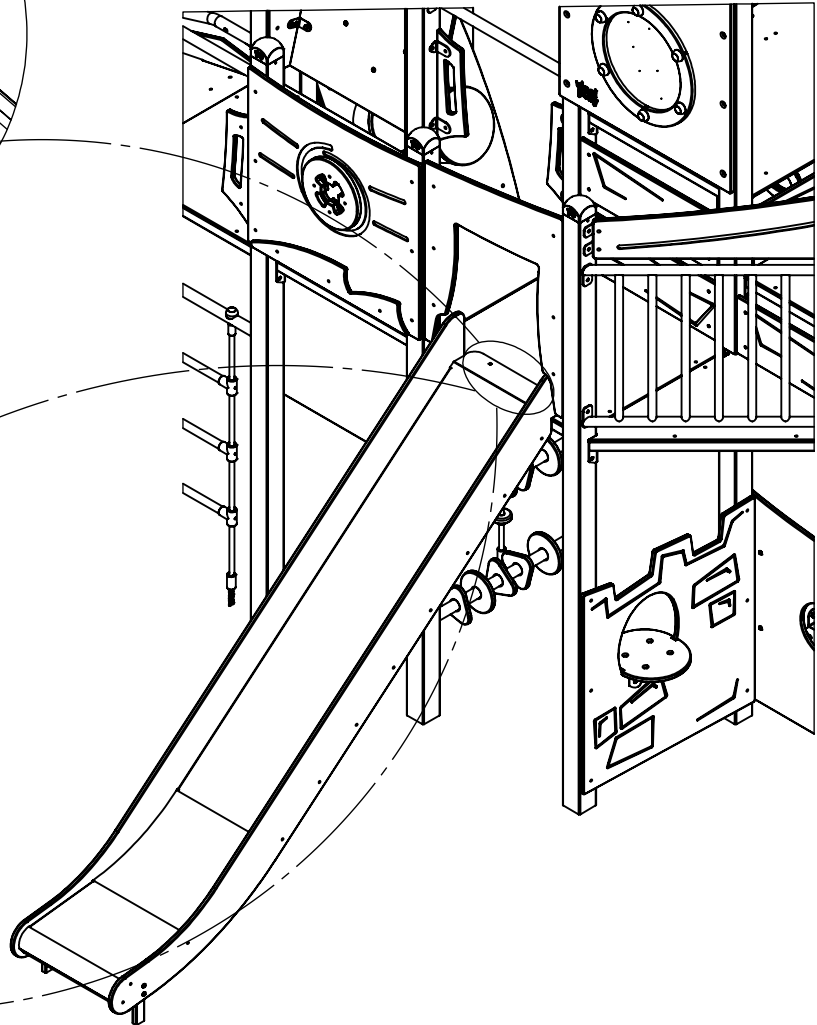


1x 30e035

1x 30p019 S6



1x 30p017 S1

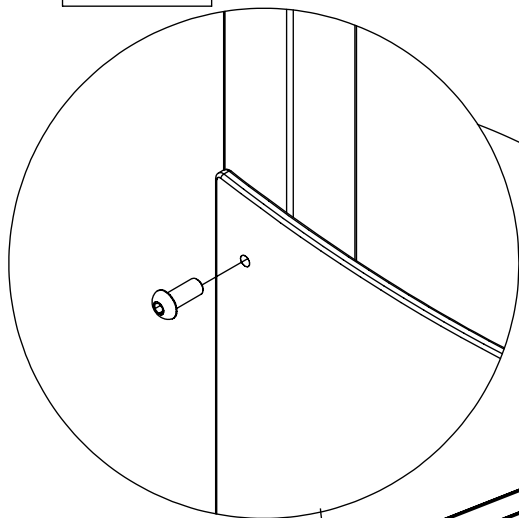


[cm]

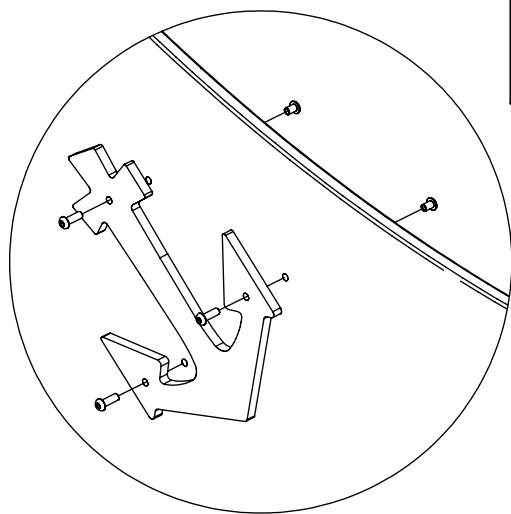
vinci
play

S3

5x 8x30i**kl**



171296



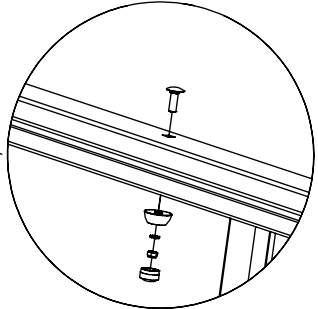
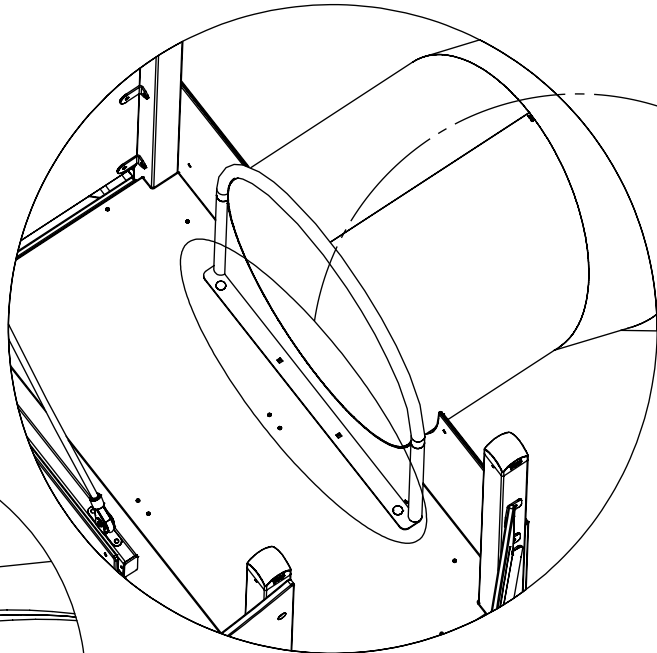
1x 30c0**80**

141155

[cm]

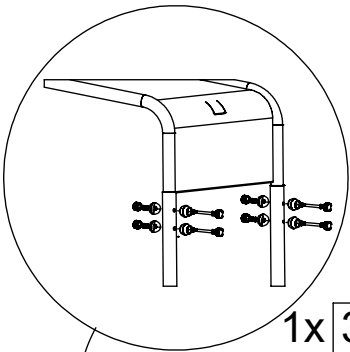
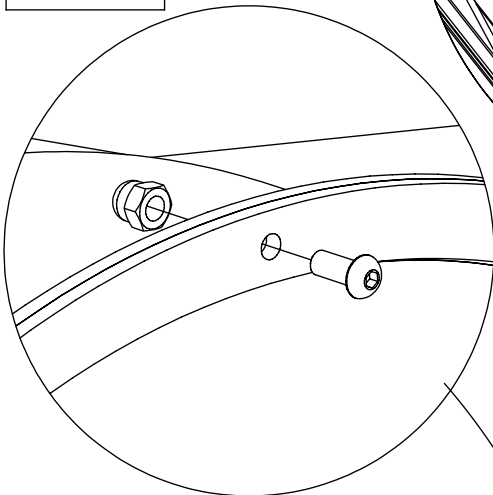
vinci
play

S3

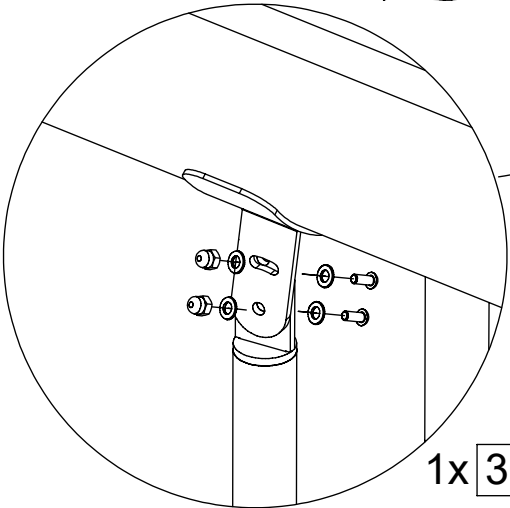
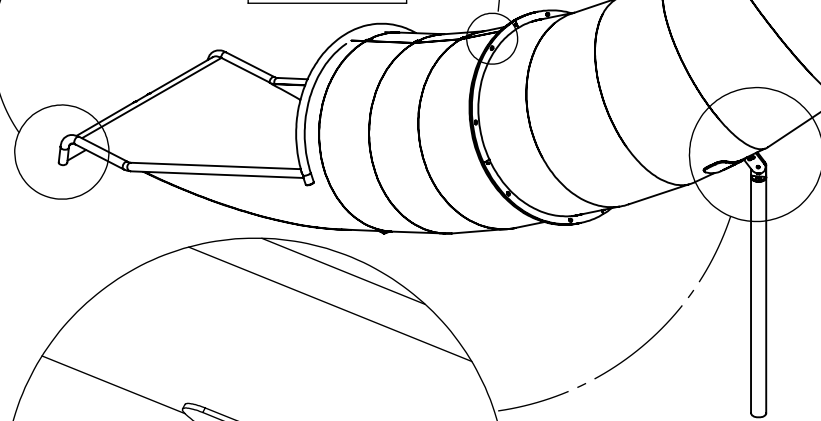


1x 30p072

1x 30e003



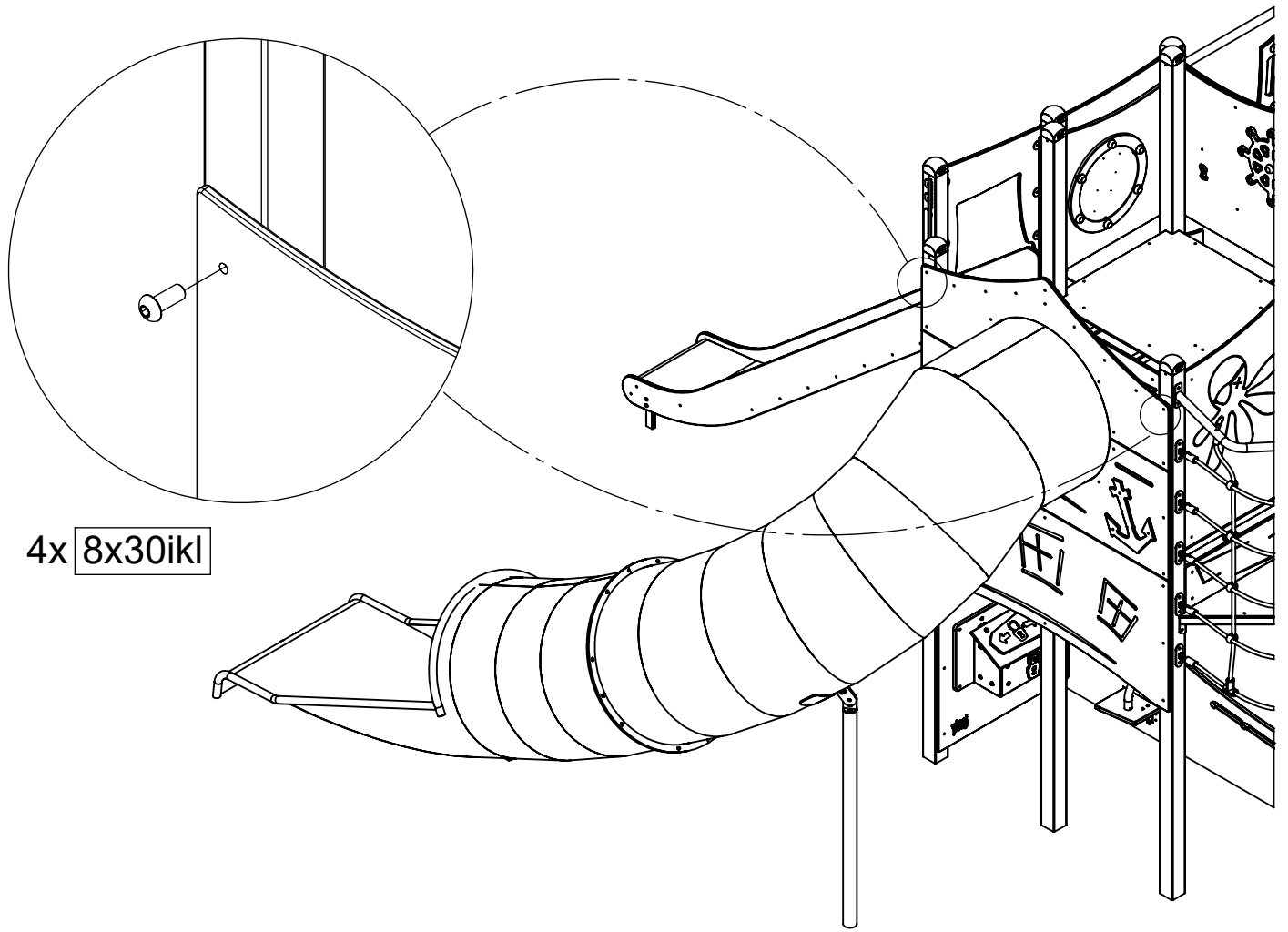
1x 30e010



1x 30e002

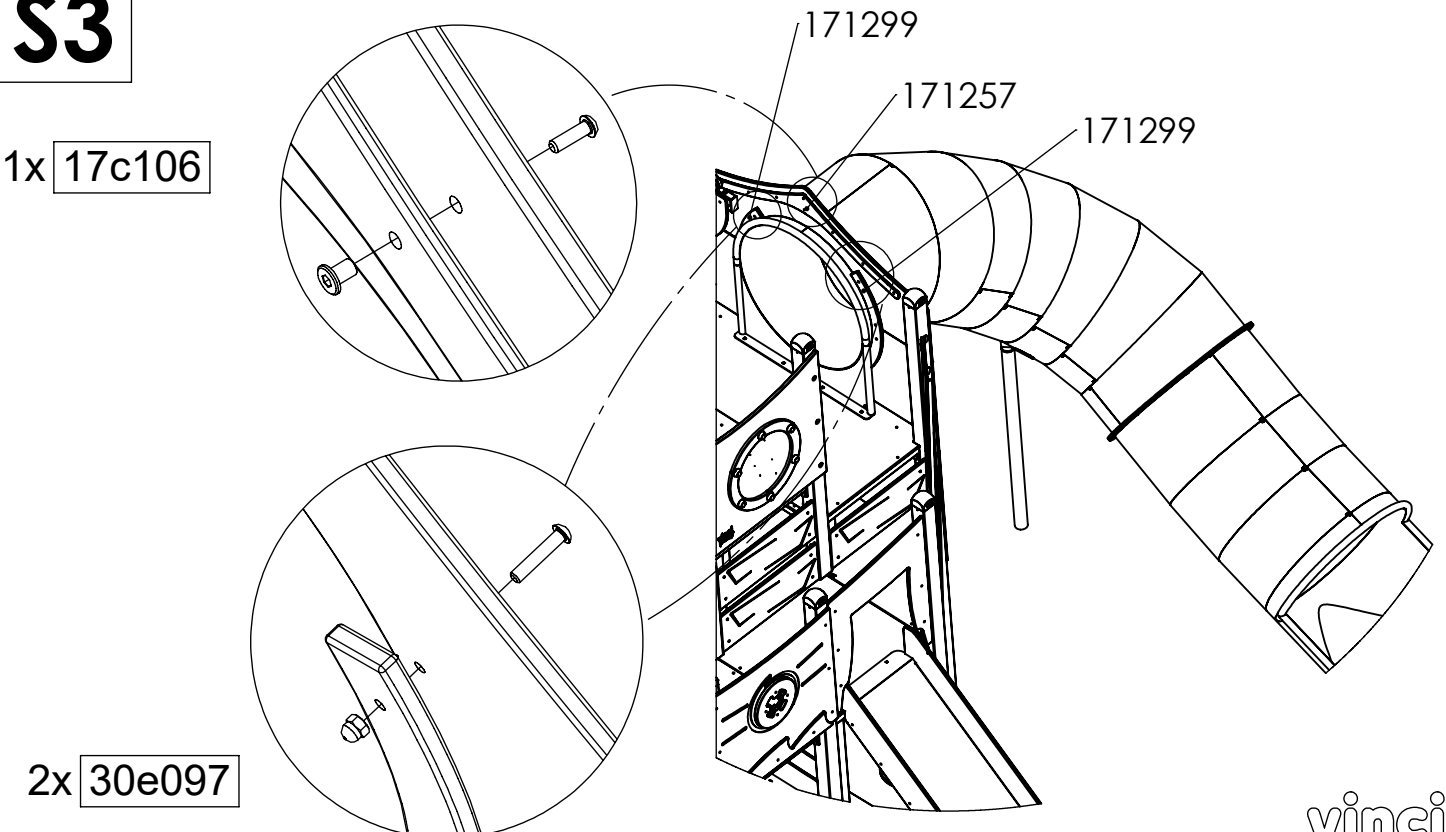
[cm]

S3



4x 8x30ikl

S3

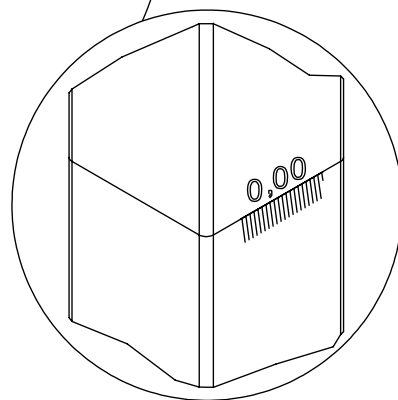
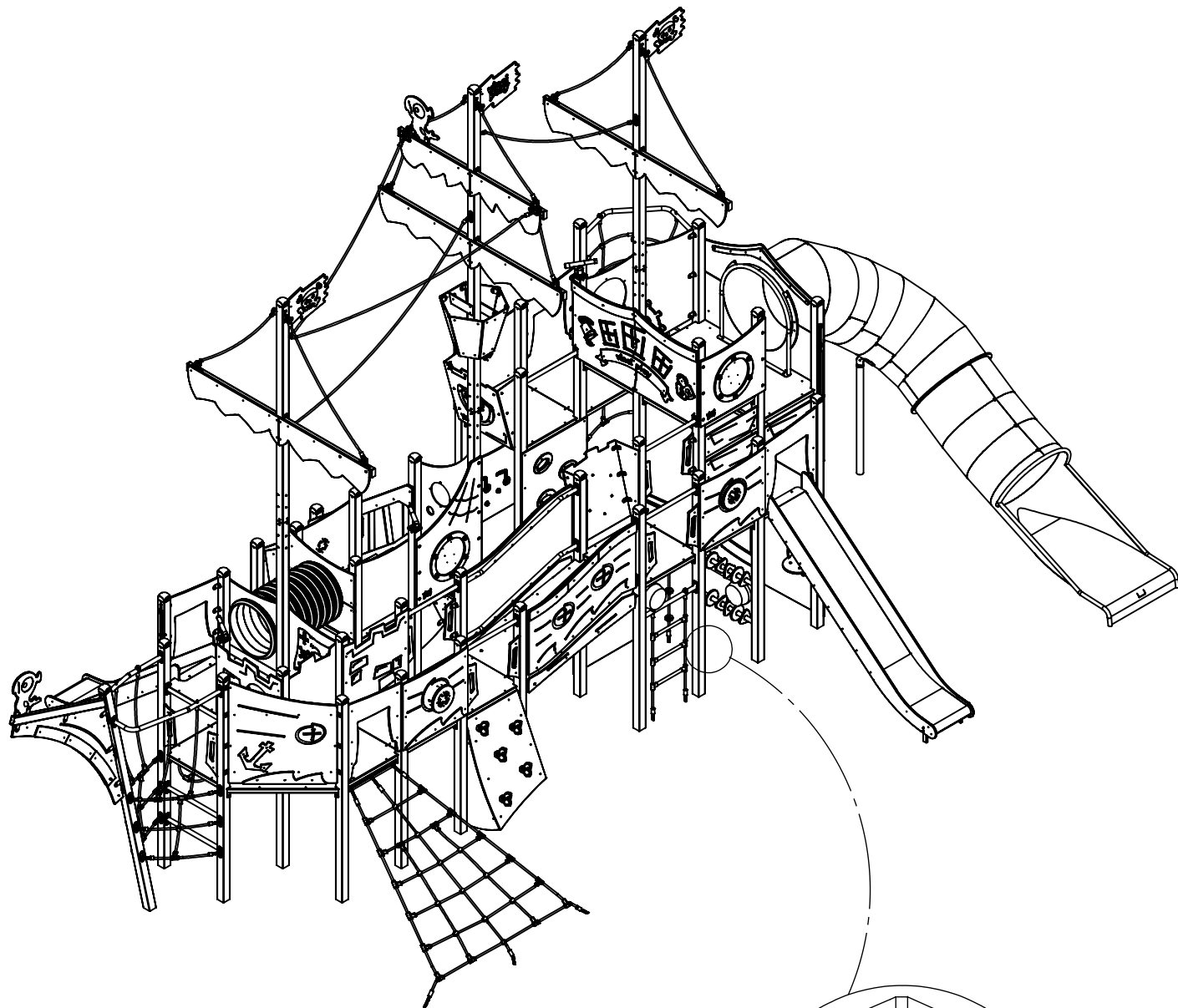


1x 17c106

2x 30e097

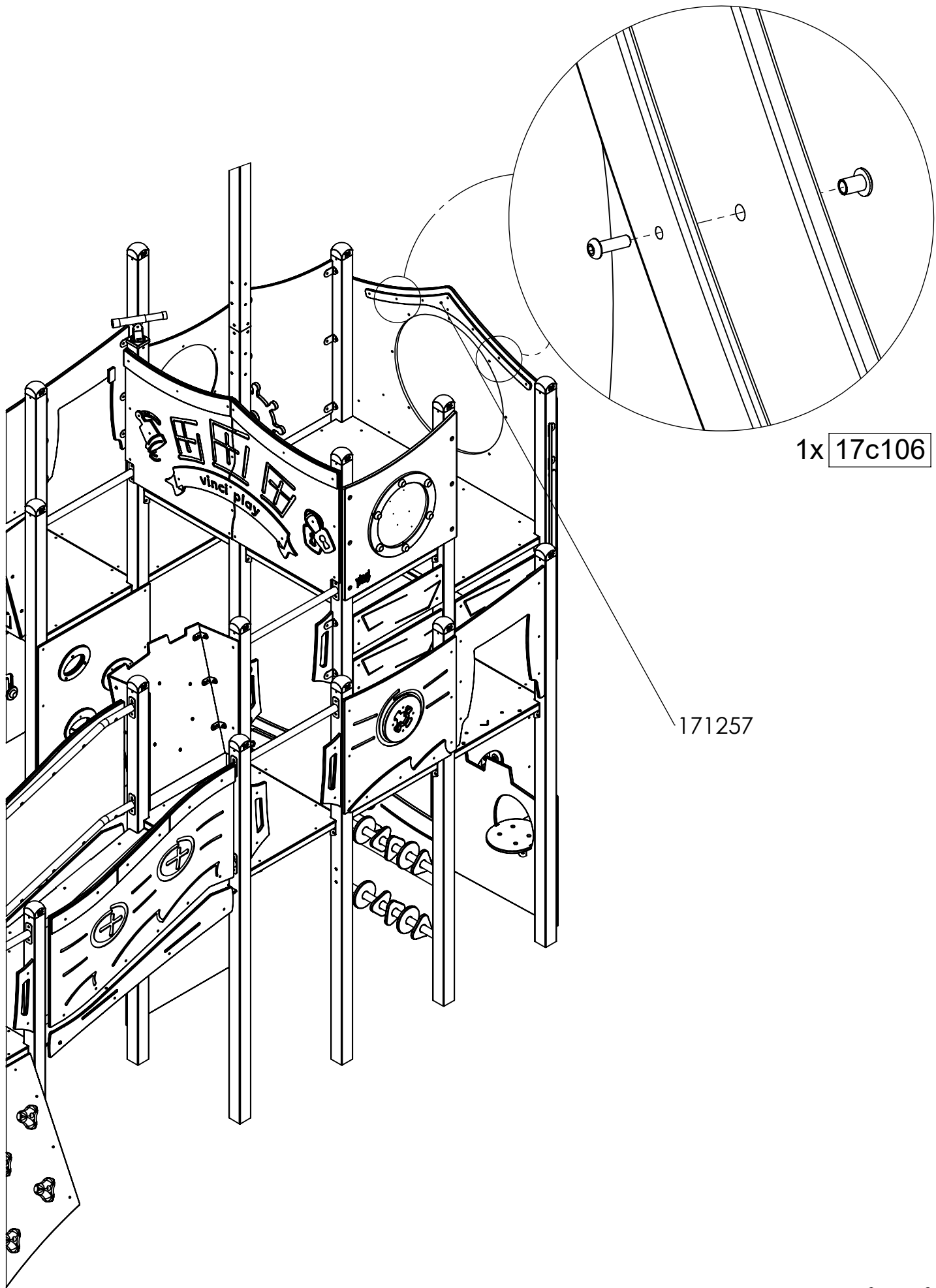
[cm]

S3



[cm]

vinci
play



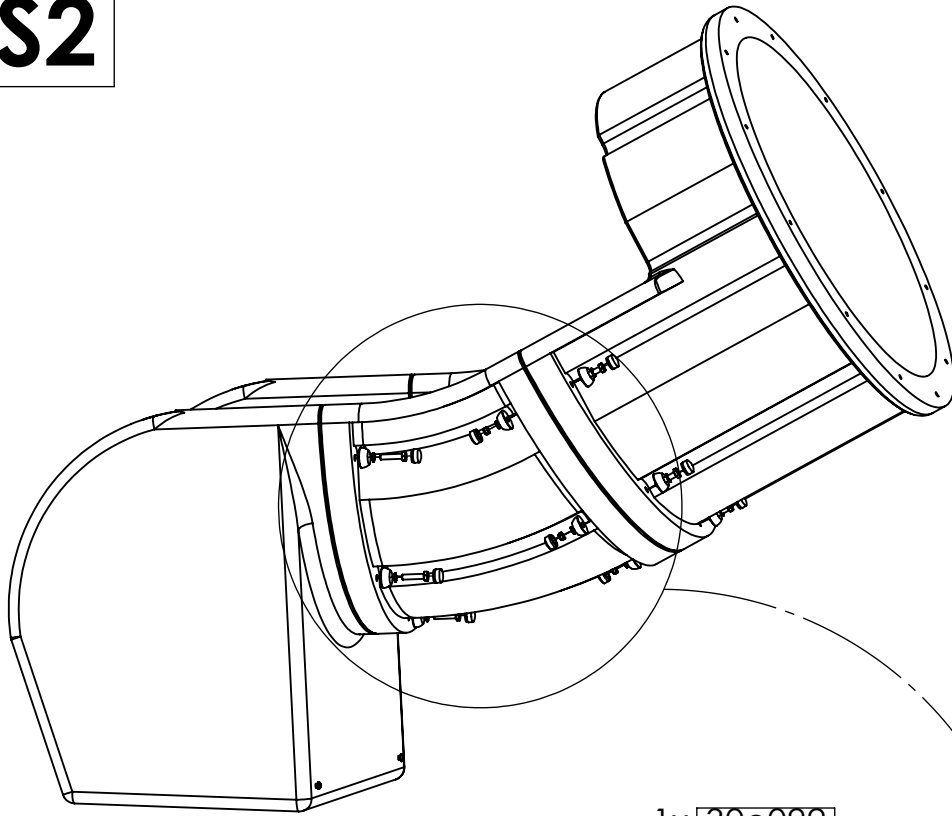
1x 17c106

171257

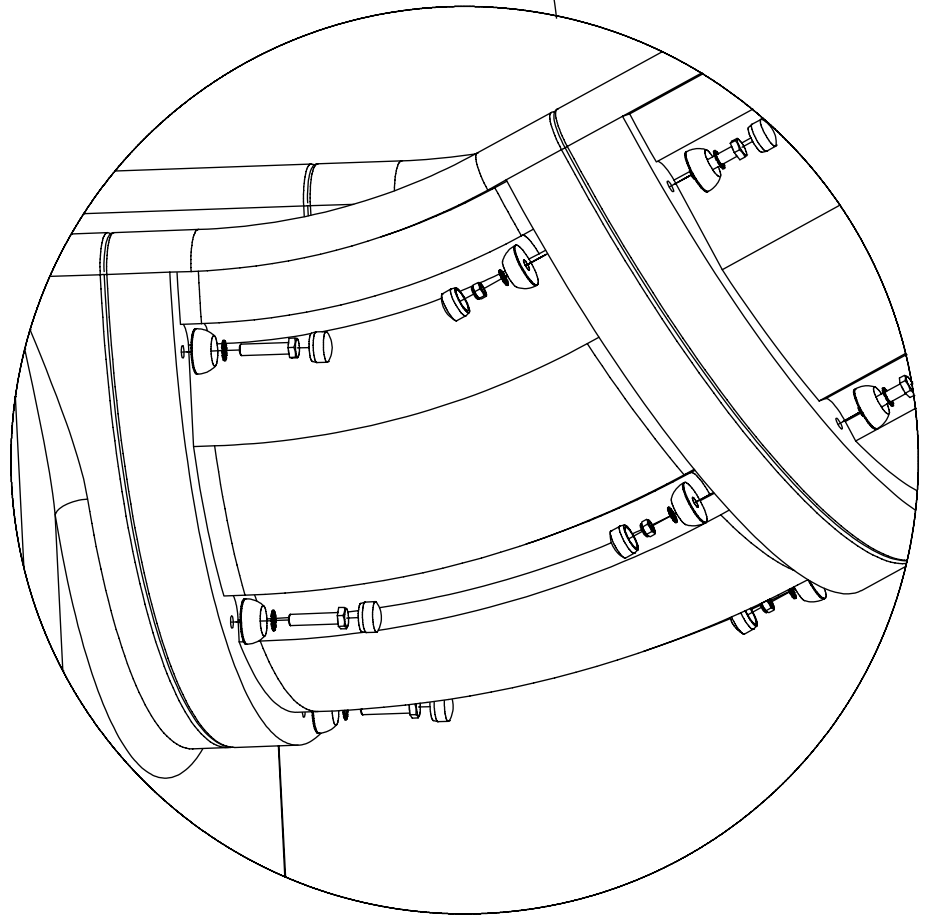
[cm]

vinci
play

S2



1x 30e092

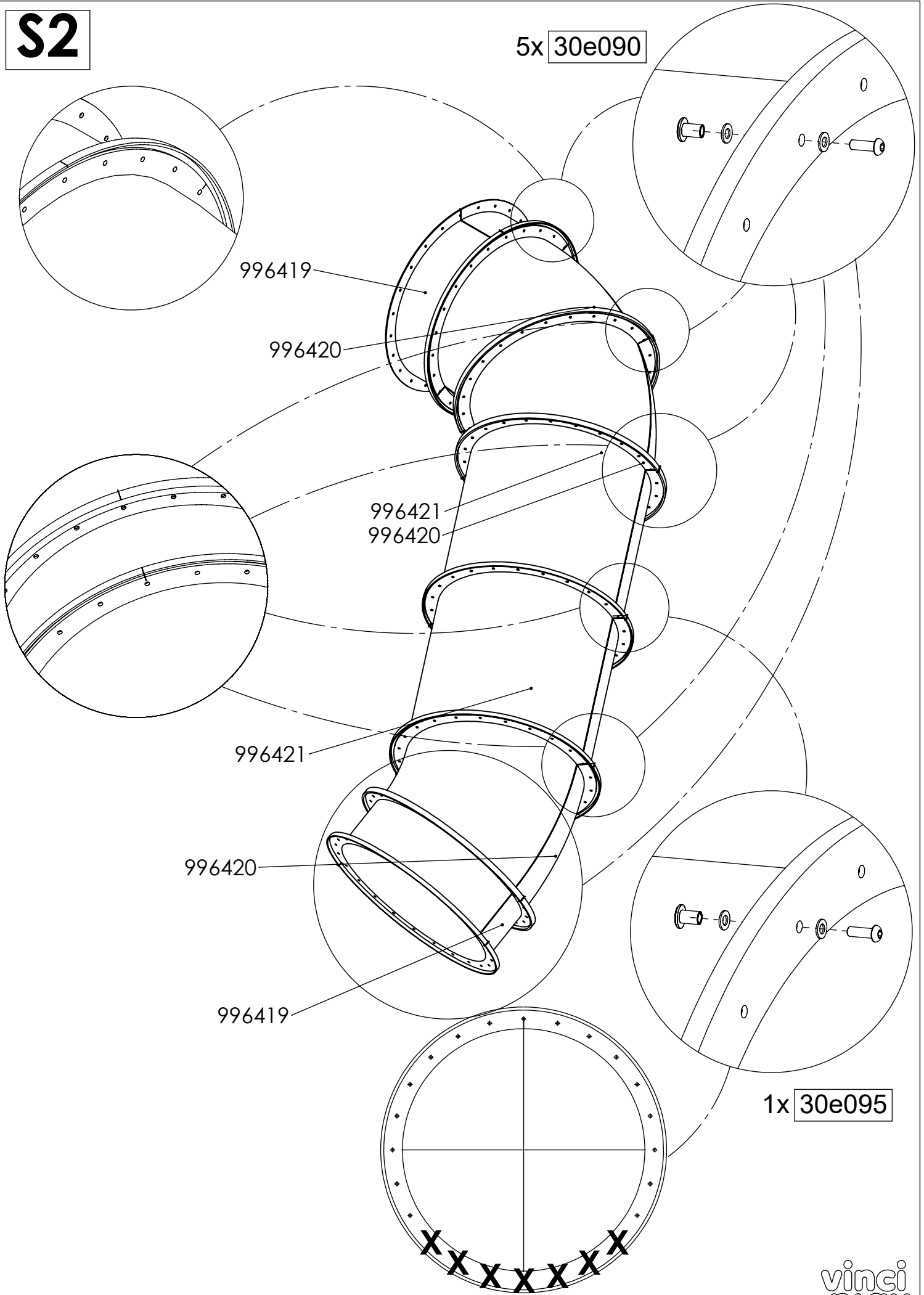


[cm]

vinci
play

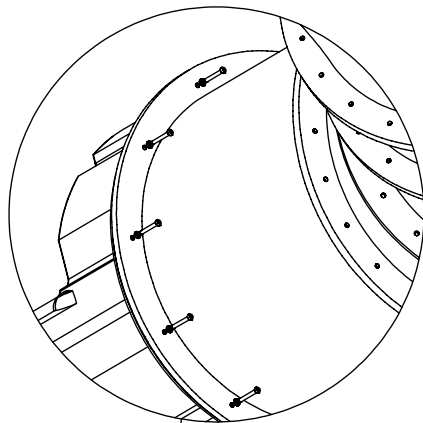
S2

5x **30e090**

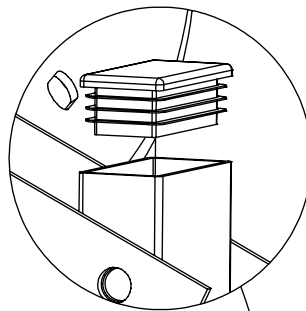


[cm]

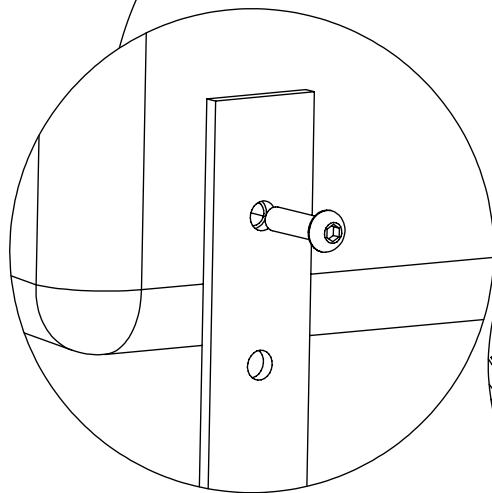
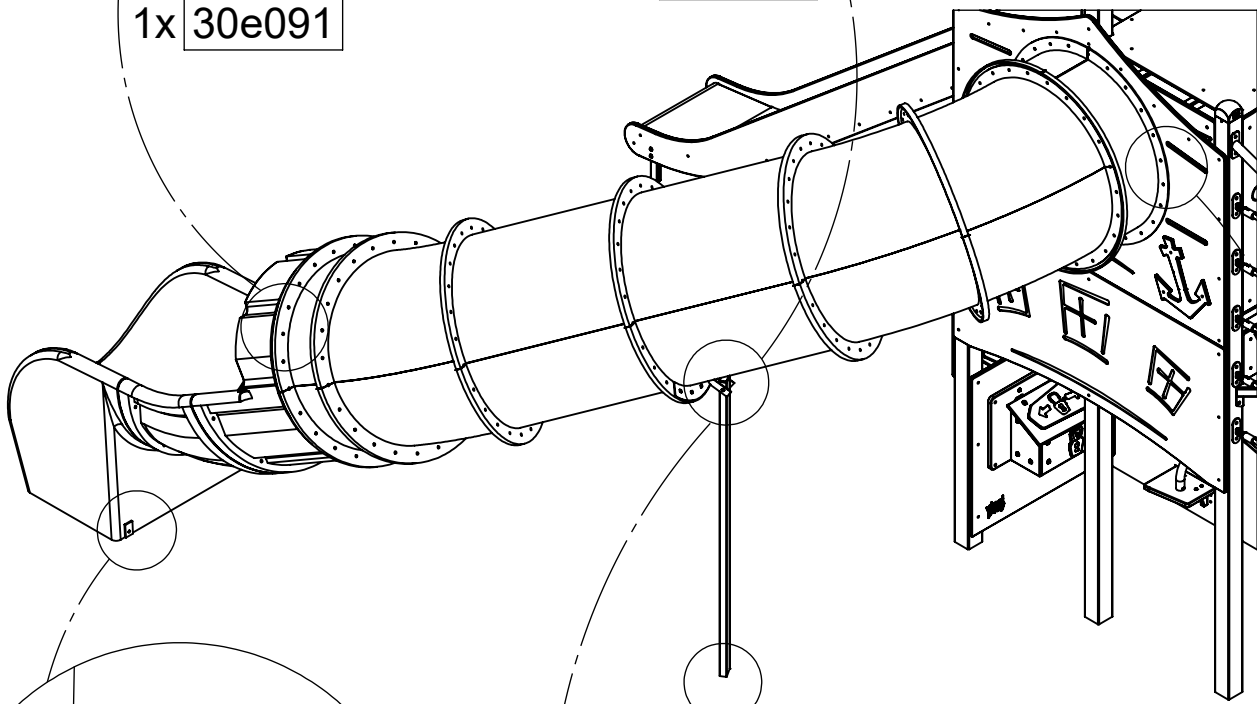
vinci
play



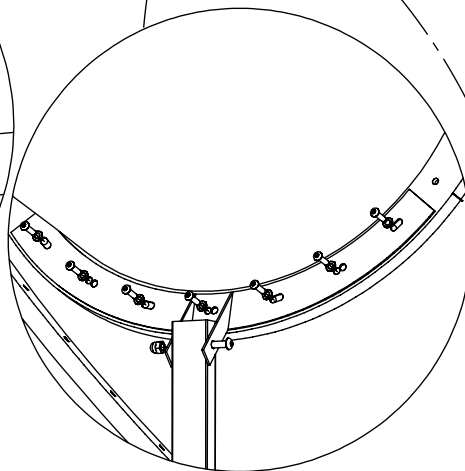
1x 30e091



30e096

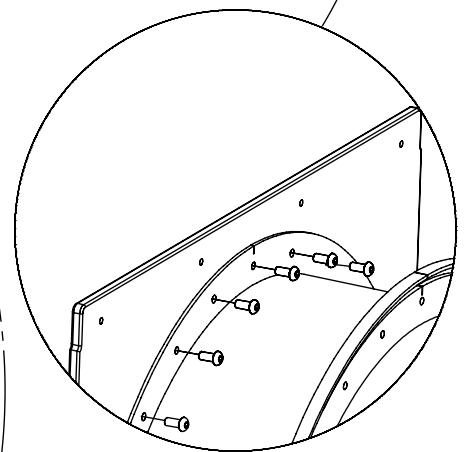


1x 30e096

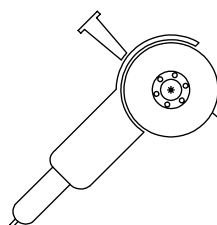
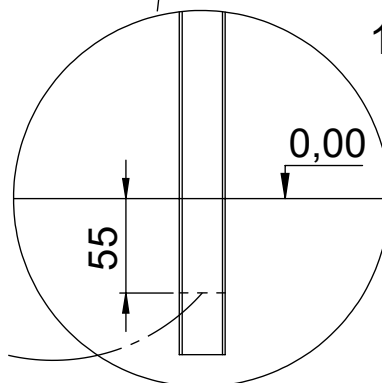


1x 30e093

30e096

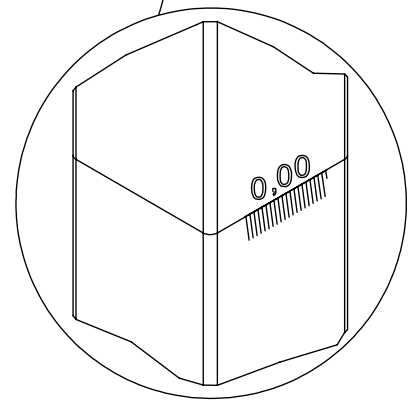
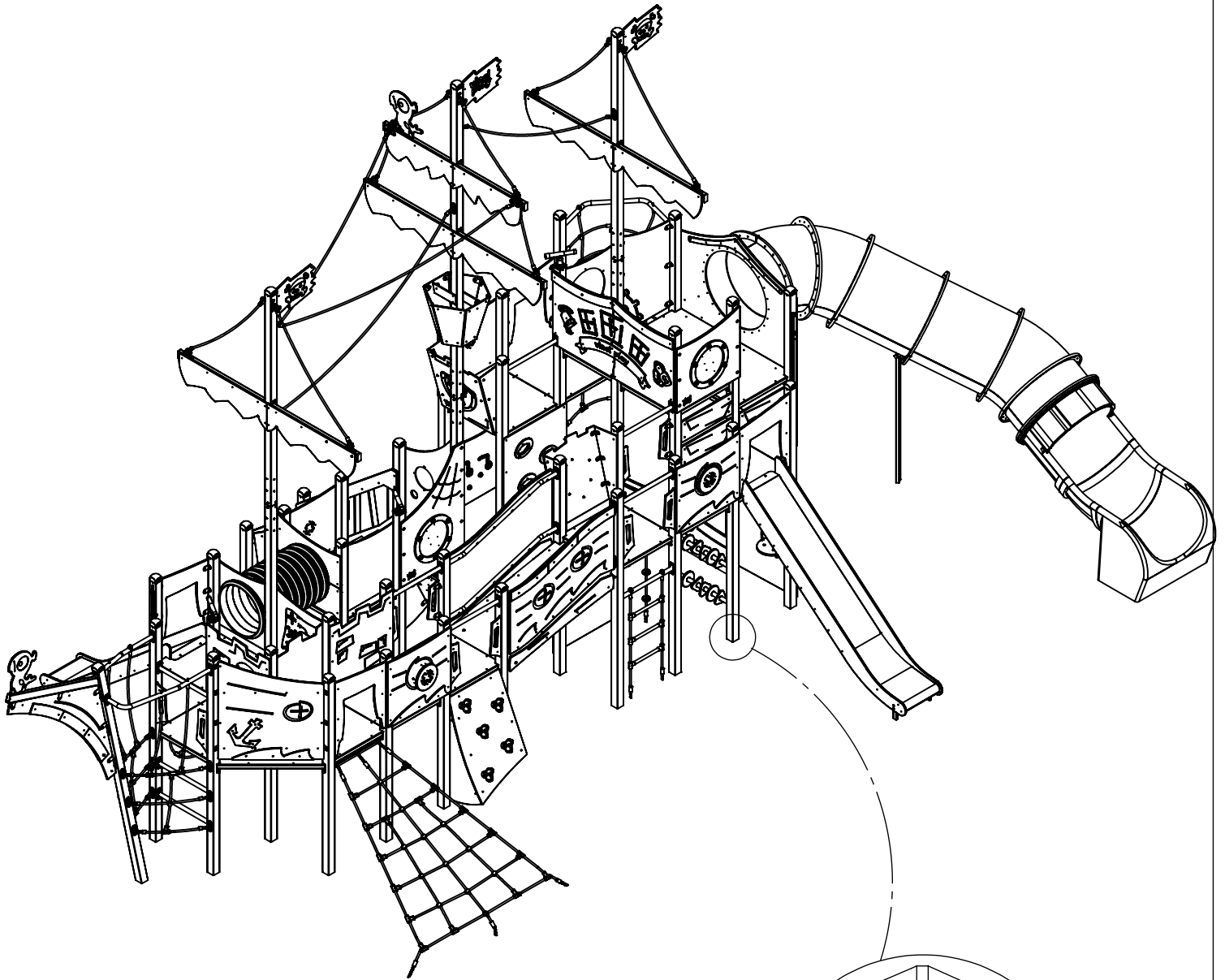


1x 30c156



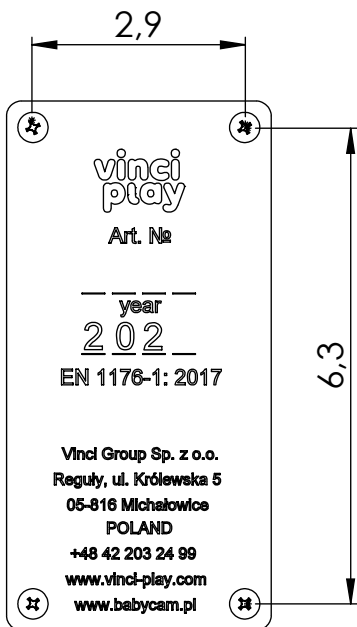
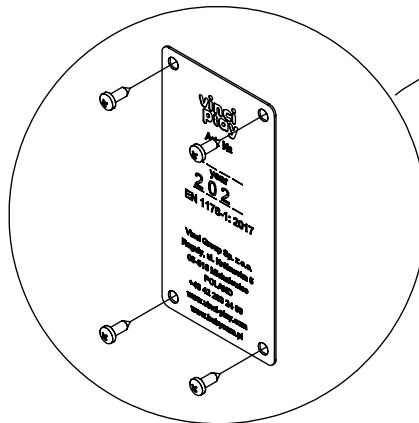
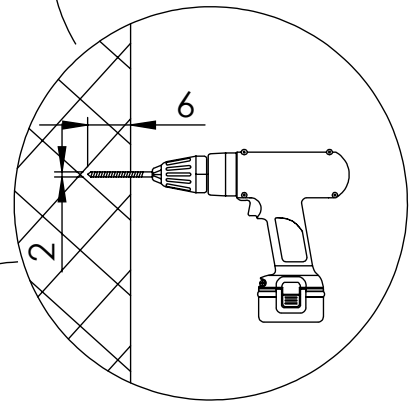
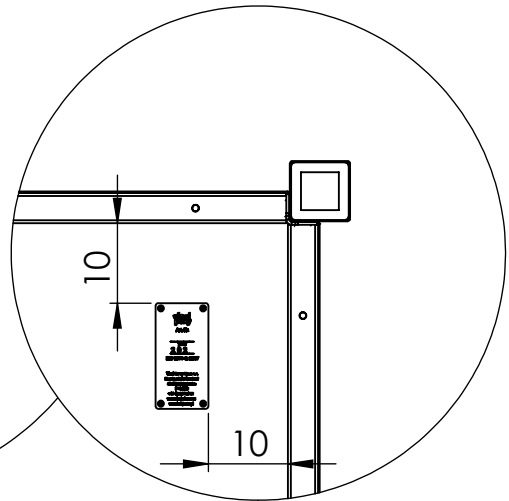
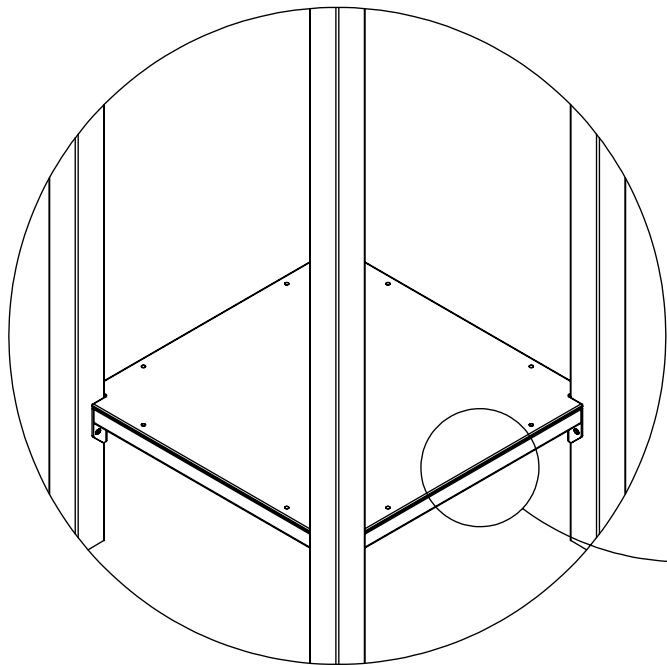
[cm]

S2



[cm]

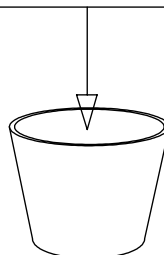
vinci
play



V001

Part No:
000000-
00000

000000-00000



[cm]

vinci
play