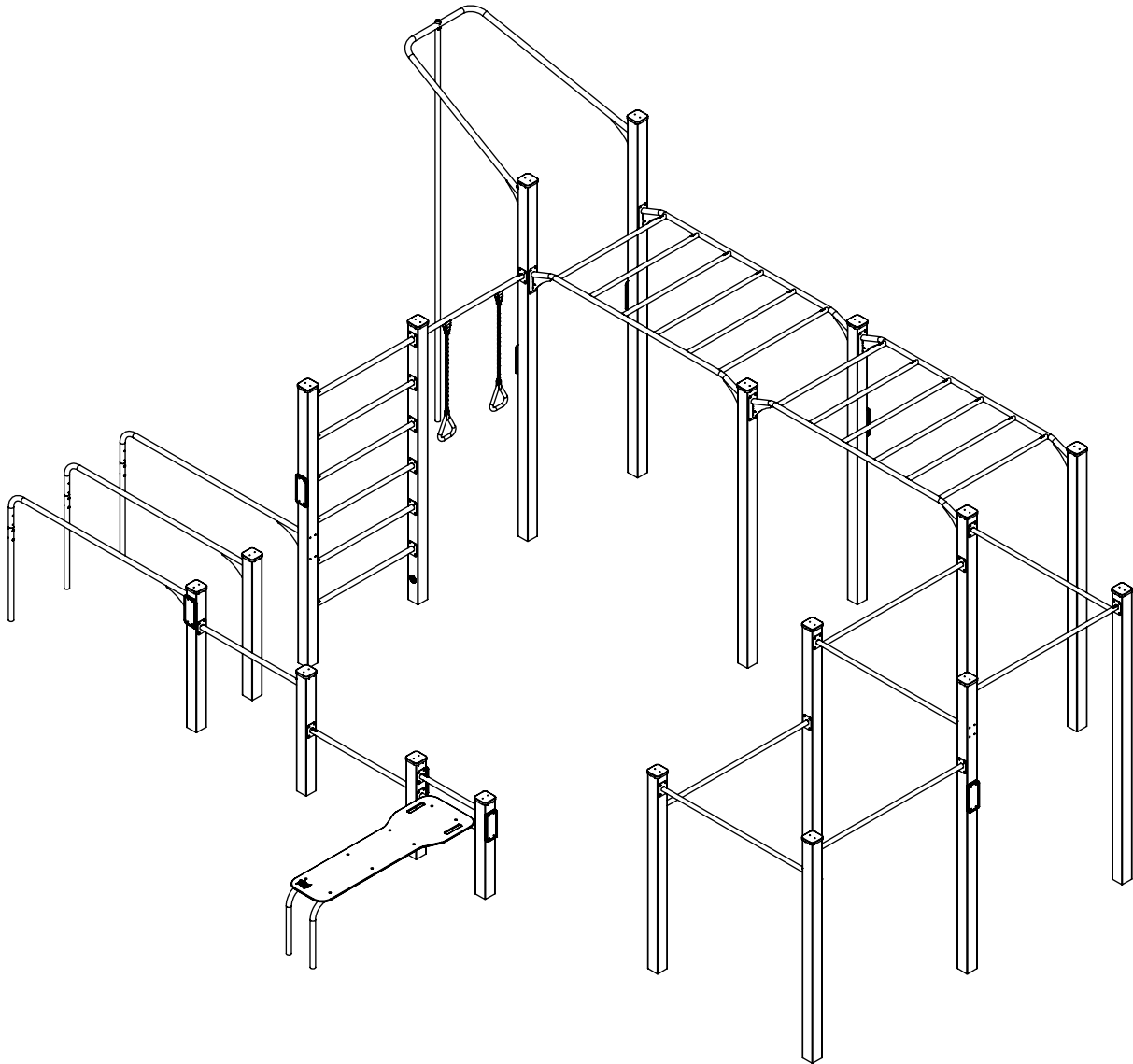
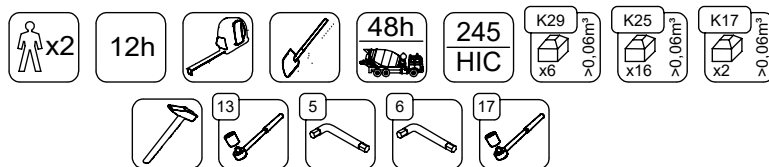


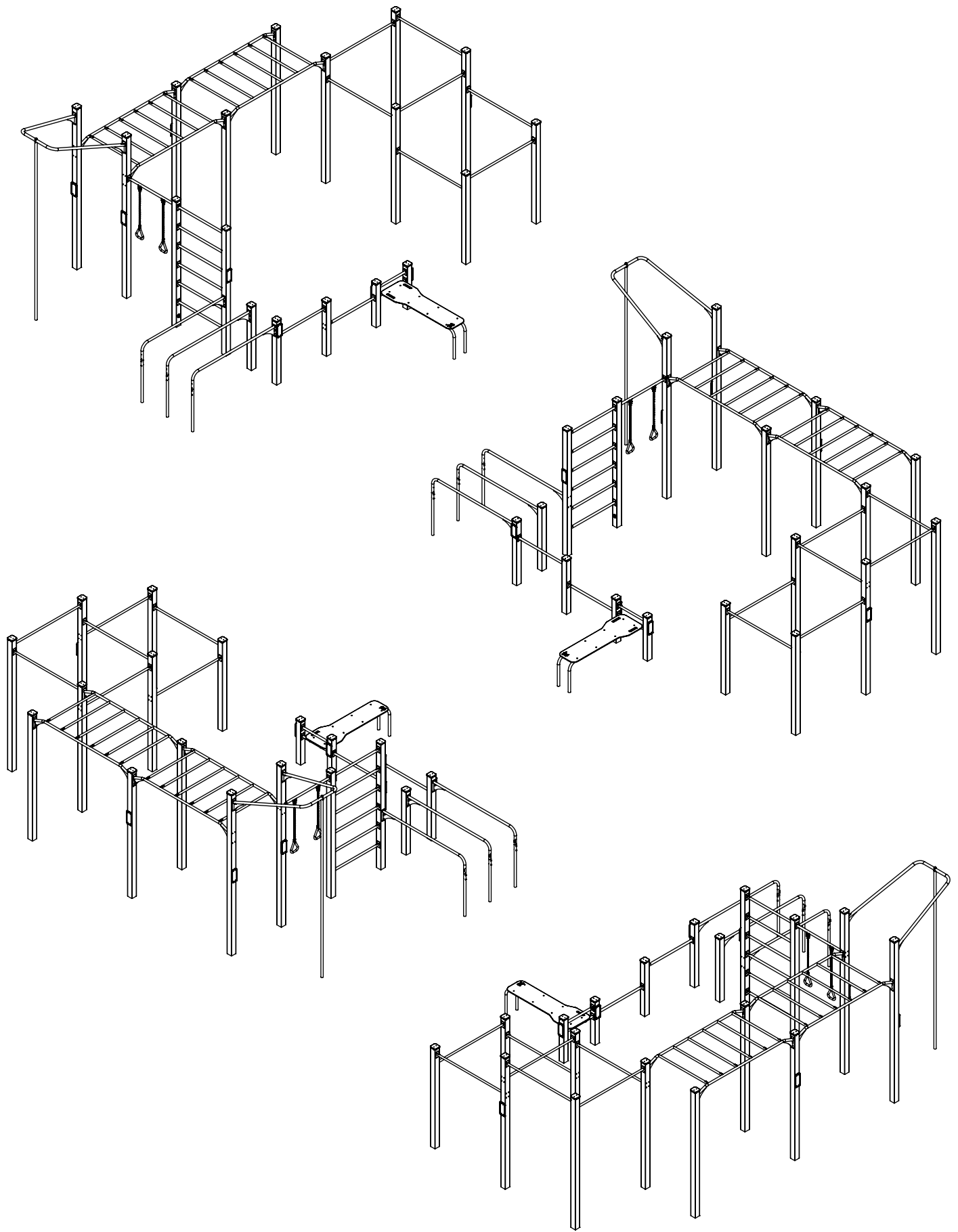
2328



v011
15.02.2022
A.H.
[cm]

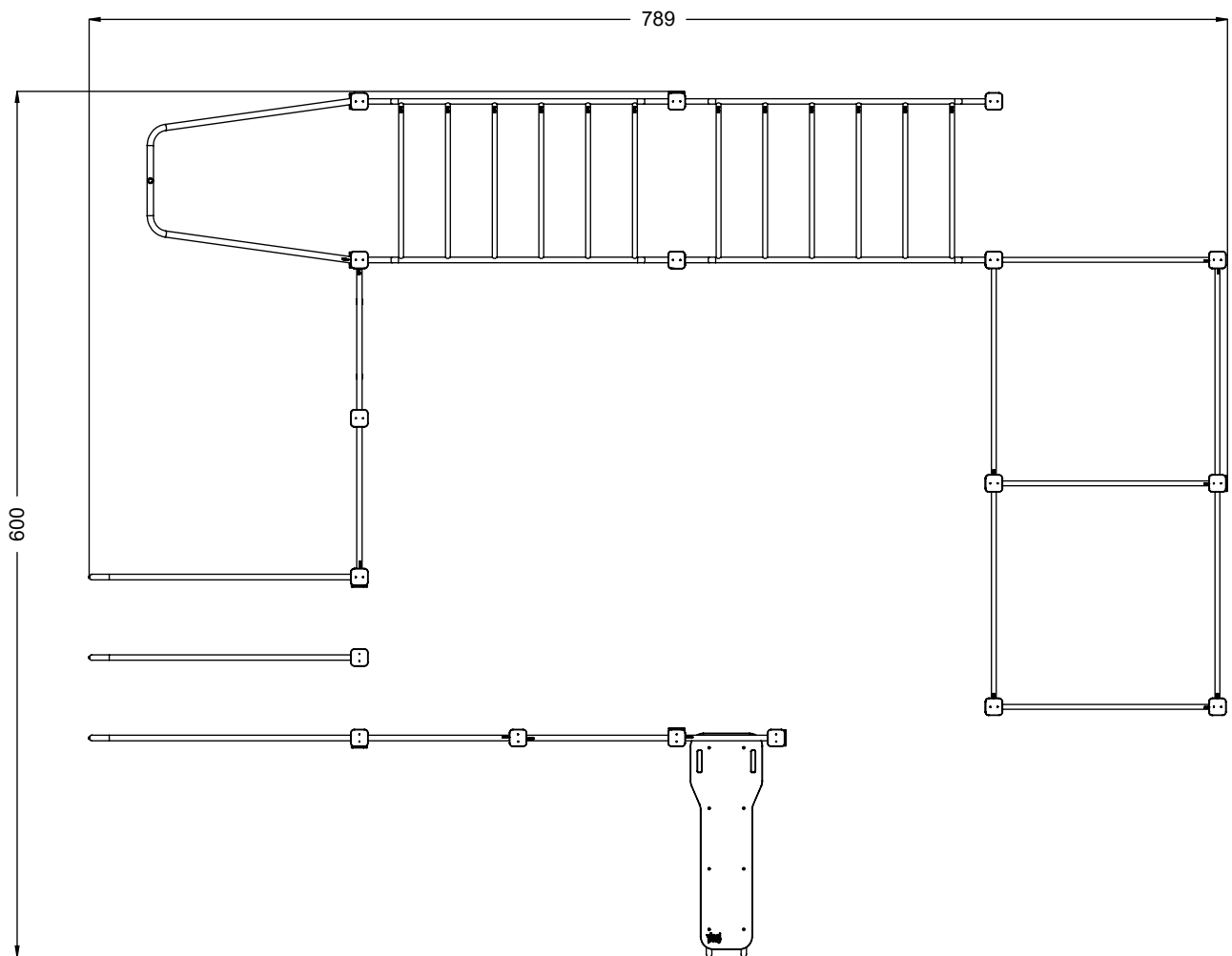
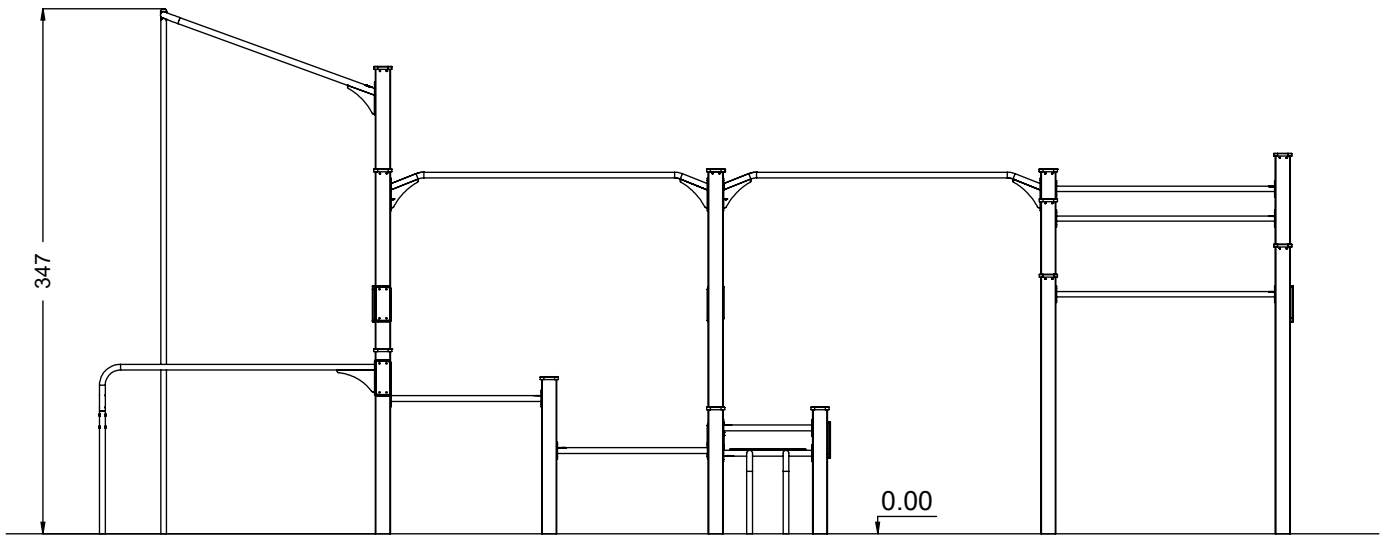


vinci
play



[cm]

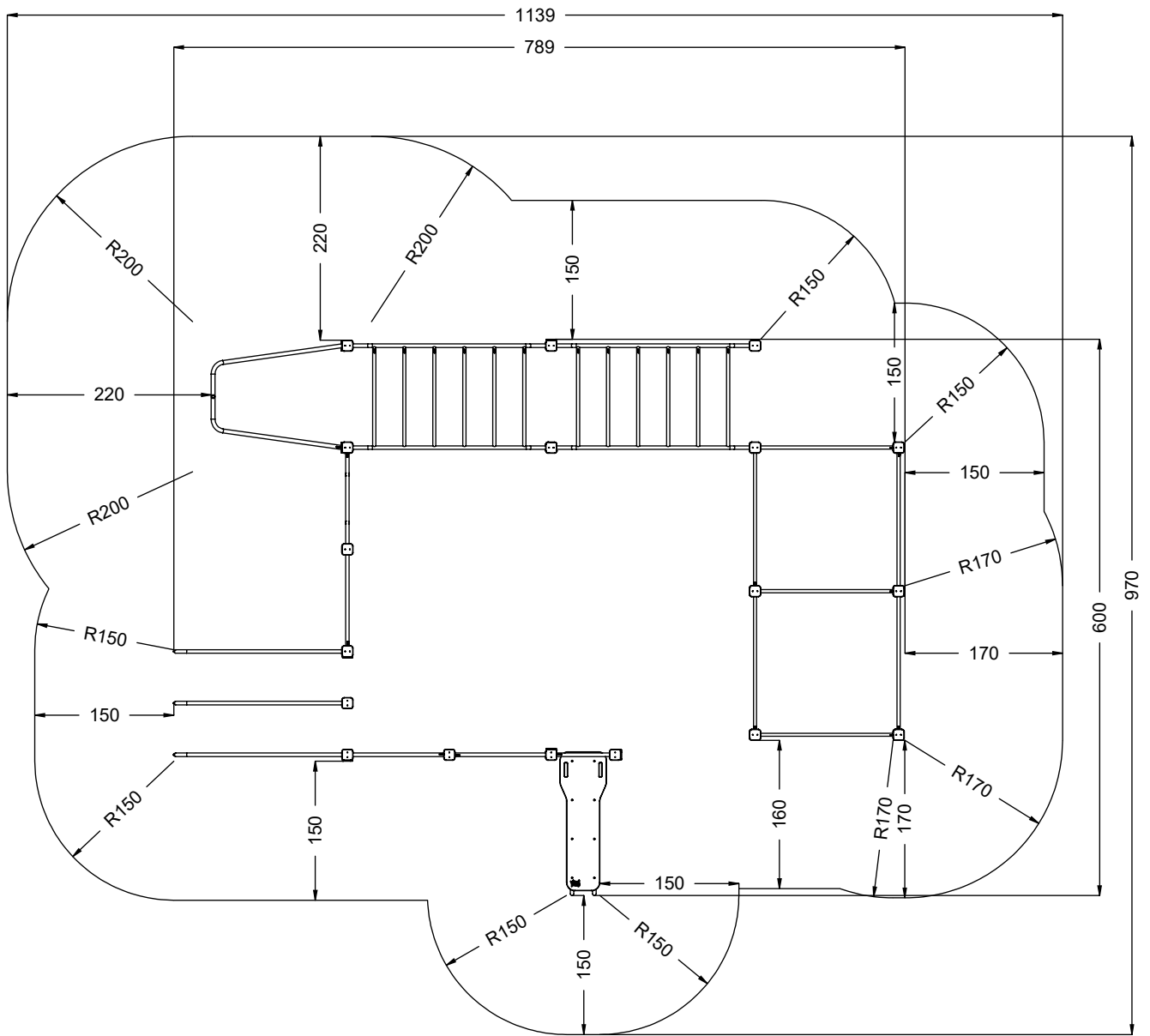
vinci
play



[cm]



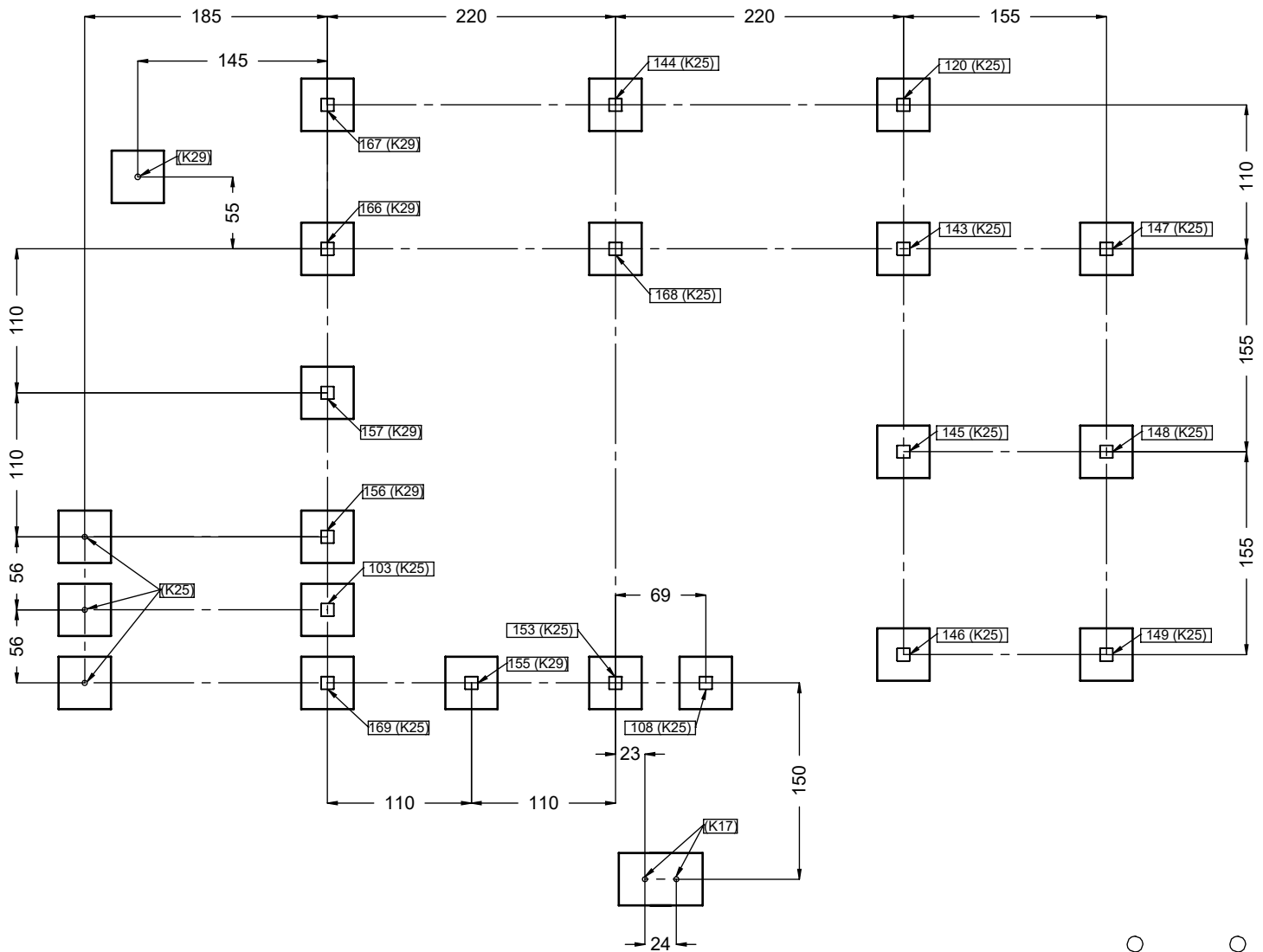
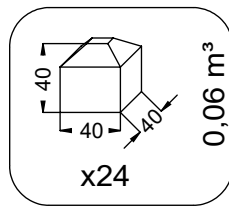
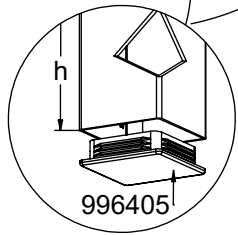
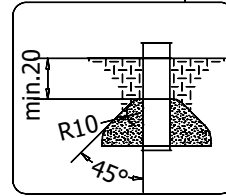
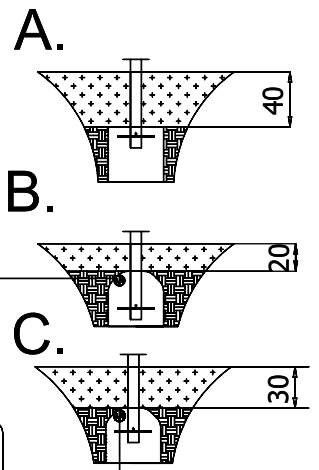
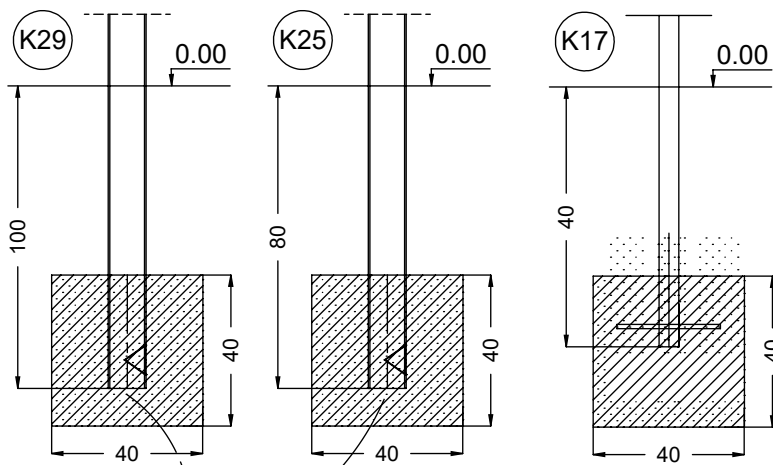
vinci
play



[cm]



vinci
play

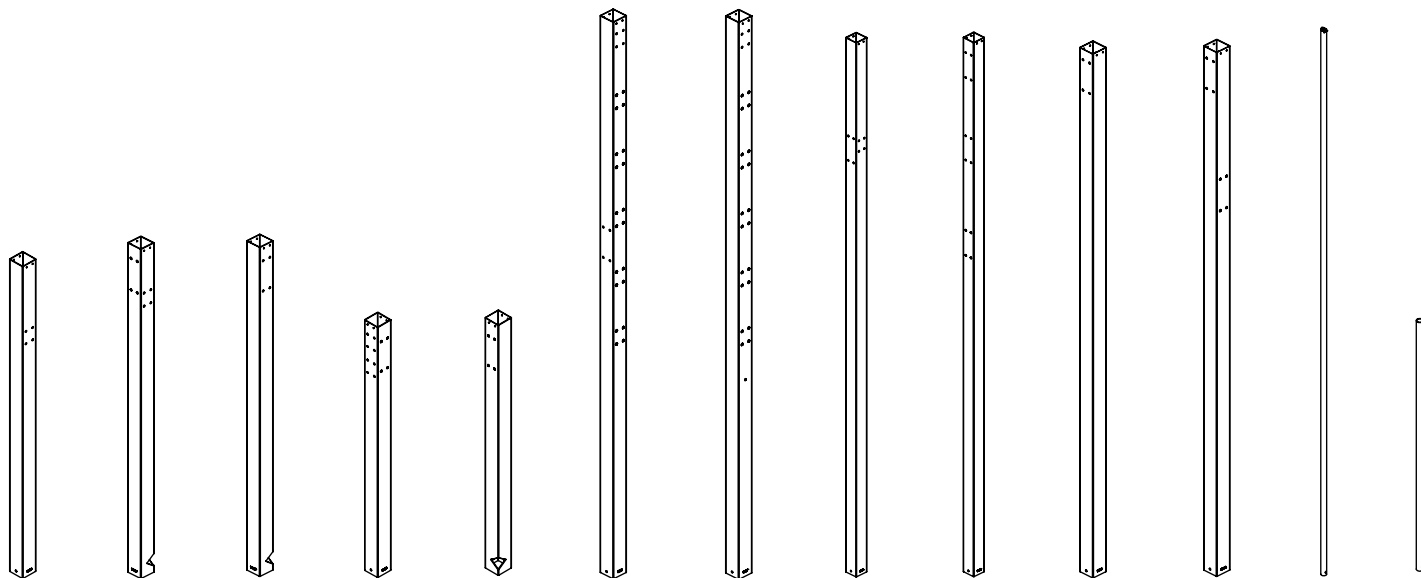


[cm]

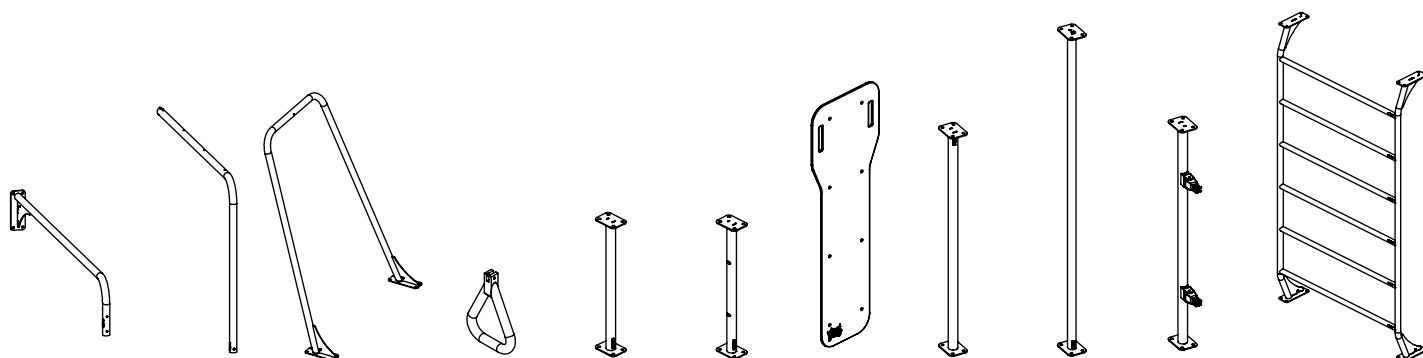
x2
 12h

 48h
 K29 x6 >0,06m³
 K25 x16 >0,06m³
 K17 x2 >0,06m³

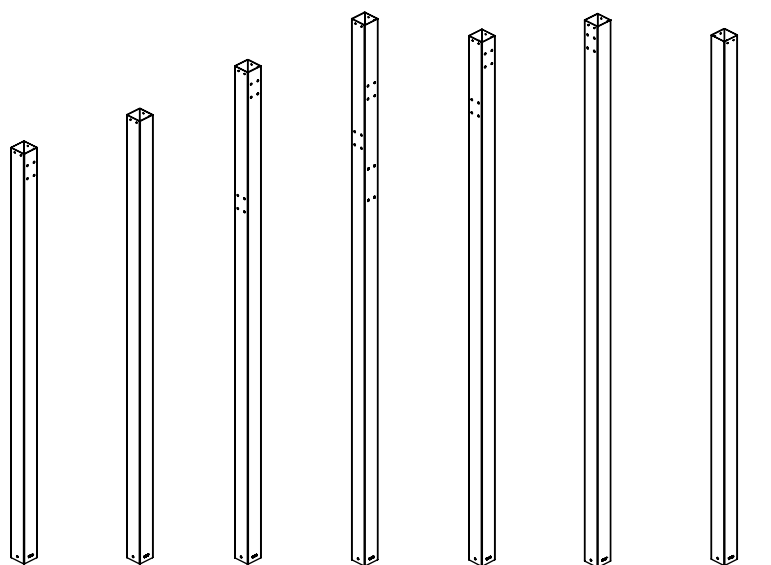
vinci
play



237155 x1 237169 x1 237103 x1 237153 x1 237108 x1 237156 x1 237157 x1 237166 x1 237167 x1 237168 x1 237144 x1 232110 x1 233120 x3



232102 x3 232103 x2 232109 x1 996338 x2 232104 x1 232105 x1 231100 x1 232100 x8 232106 x7 232108 x1 237120 x2

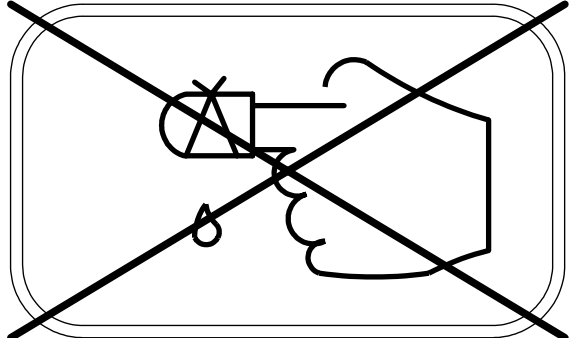
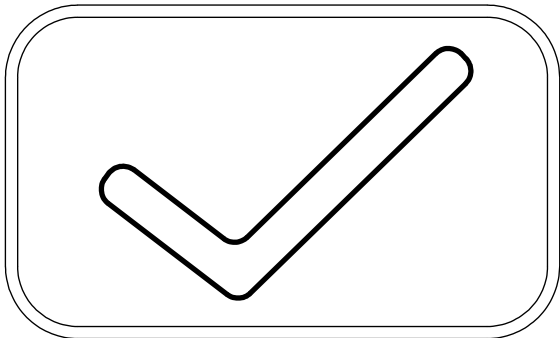
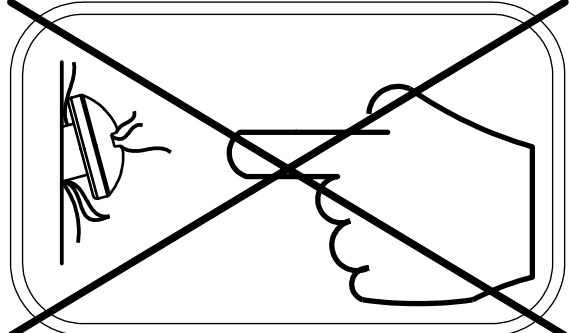
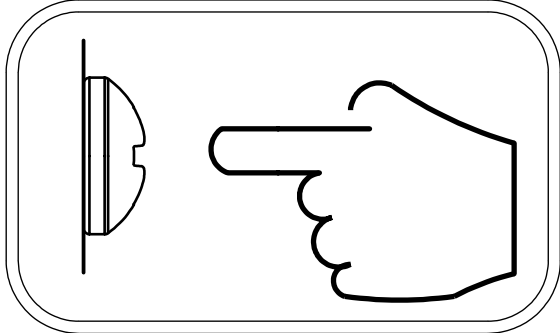
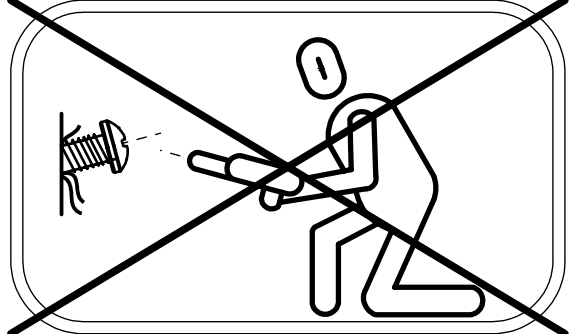
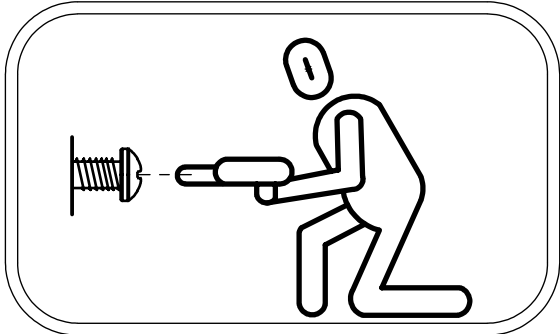


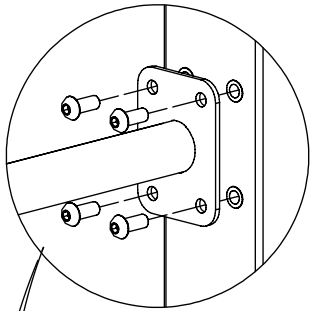
237146 x1 237149 x1 237145 x1 237148 x1 237143 x1 237147 x1 237120 x1

ST/INOX	
18x	23e001
30x	23e004
10x	23e008
9x	23e005
1x	23e040
1x	23e042
1x	23e043
1x	23e039
8x	23e003
1x	236103
1x	236104
1x	236106
1x	236107
1x	236109
1x	236111
1x	236113
1x	236114
18x	996405
24x	M8x16
1x	V003

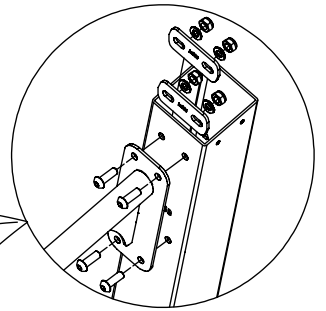
[cm]

vinci
play

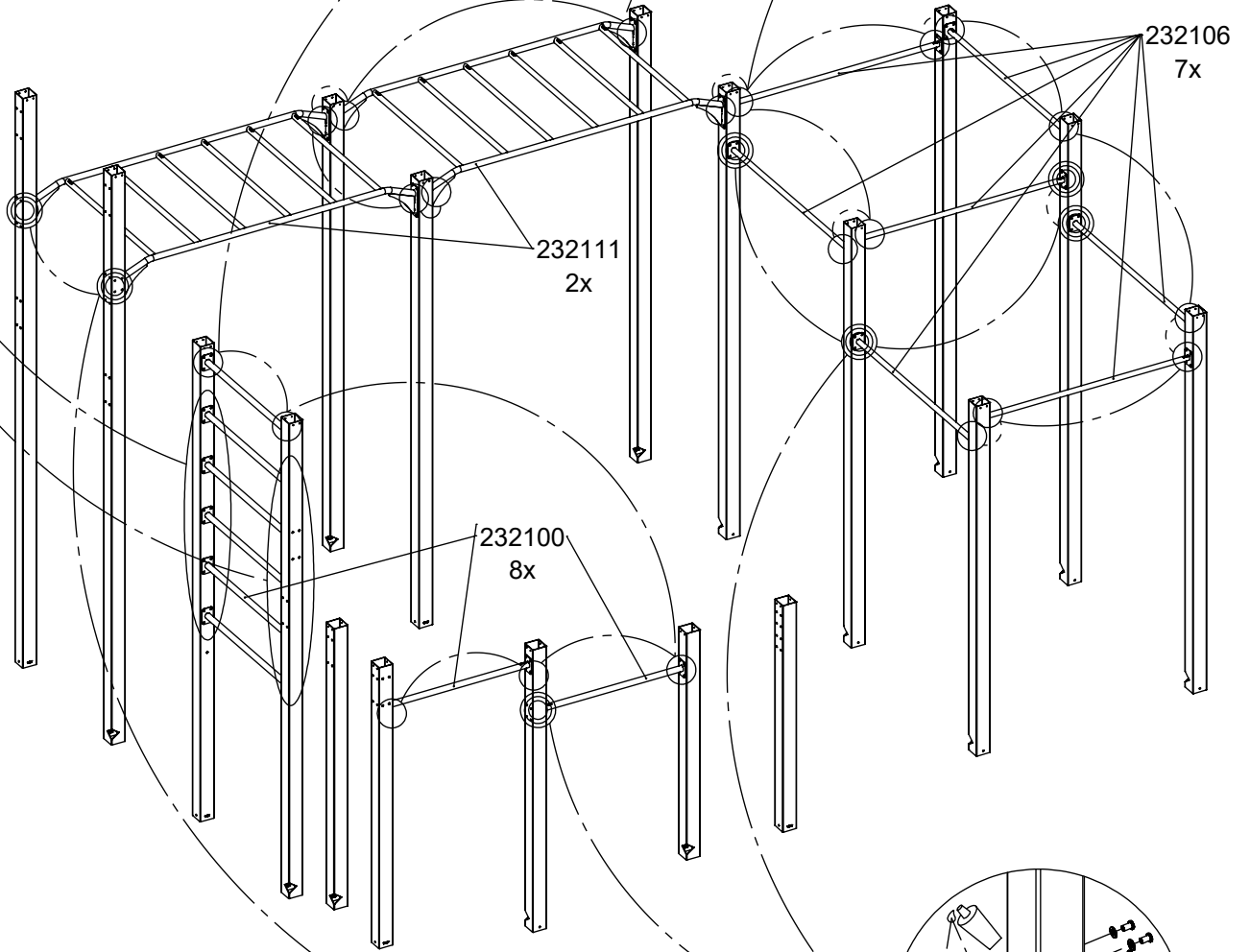




10x **23e008**



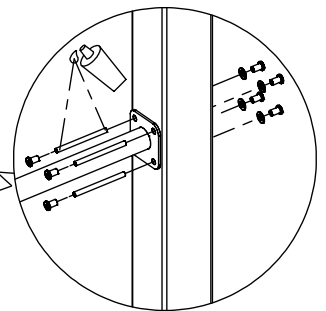
21x **23e004**



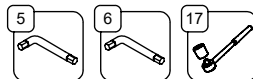
232111
2x

232100
8x

232106
7x

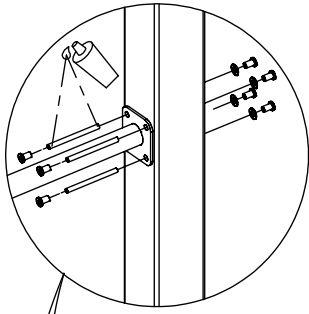


7x **23e005**

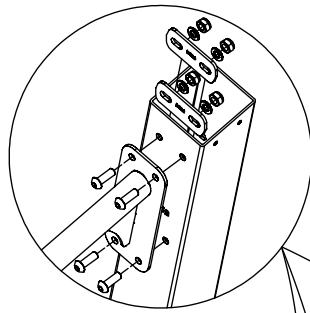


[cm]

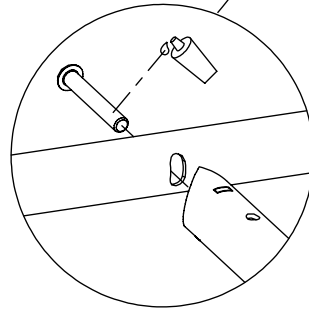
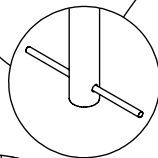
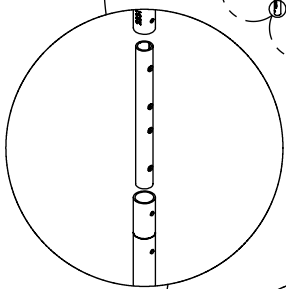
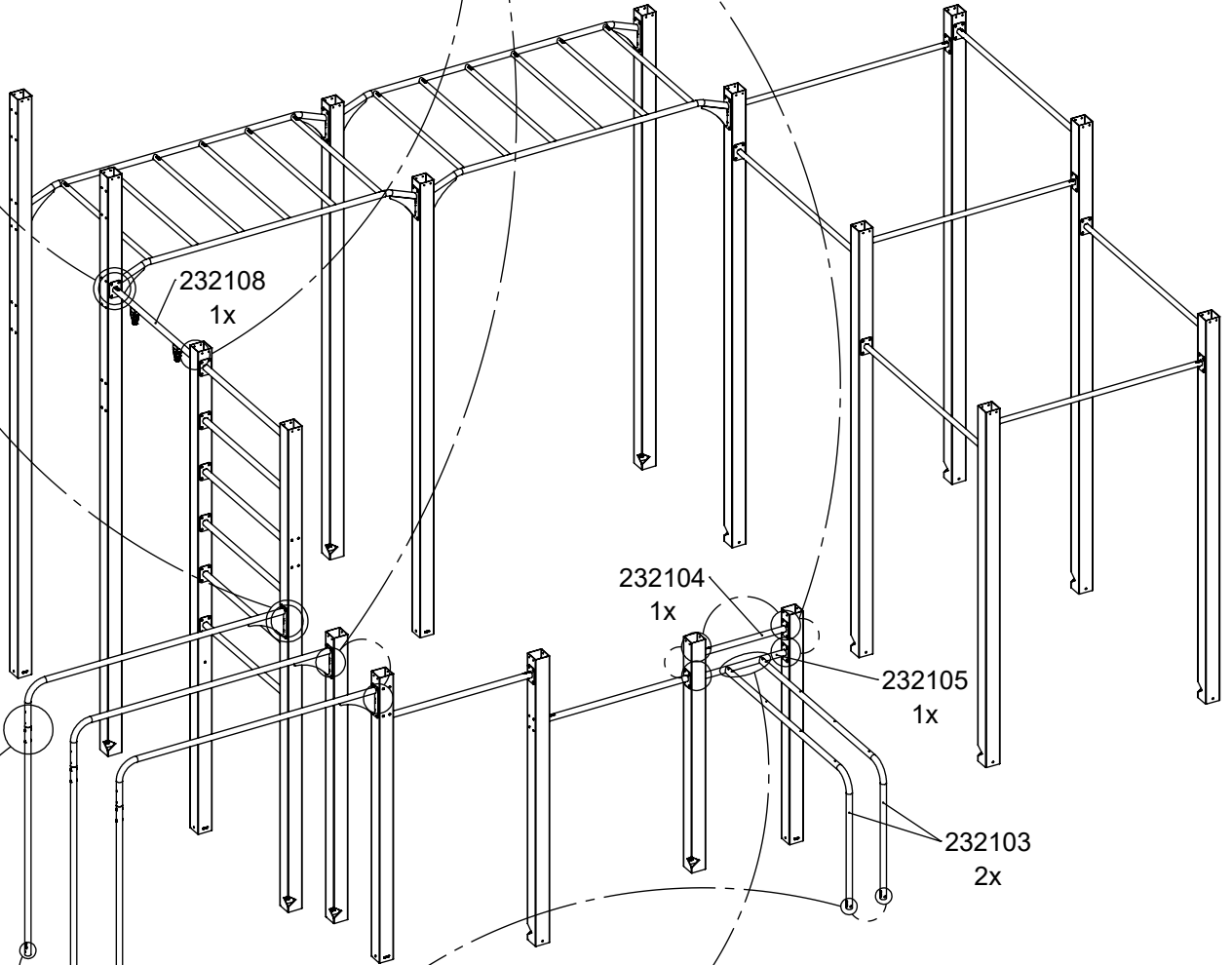
vinci
play



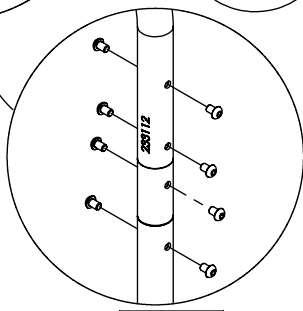
2x 23e005



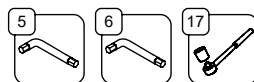
7x 23e004



1x 23e042

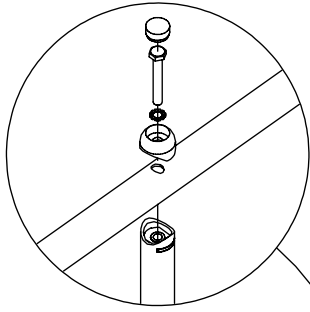


24x M8x16

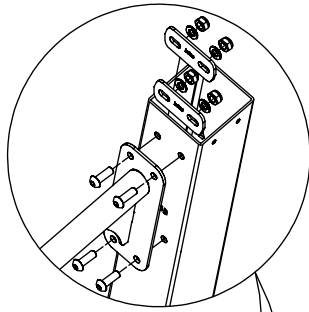


[cm]

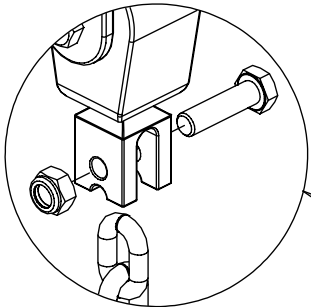
vinci play



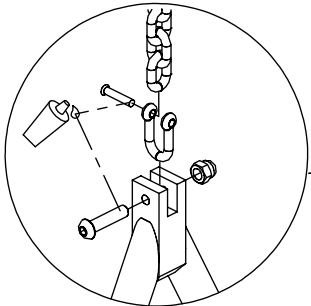
1x 23e039



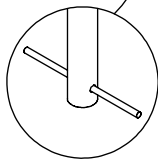
2x 23e004



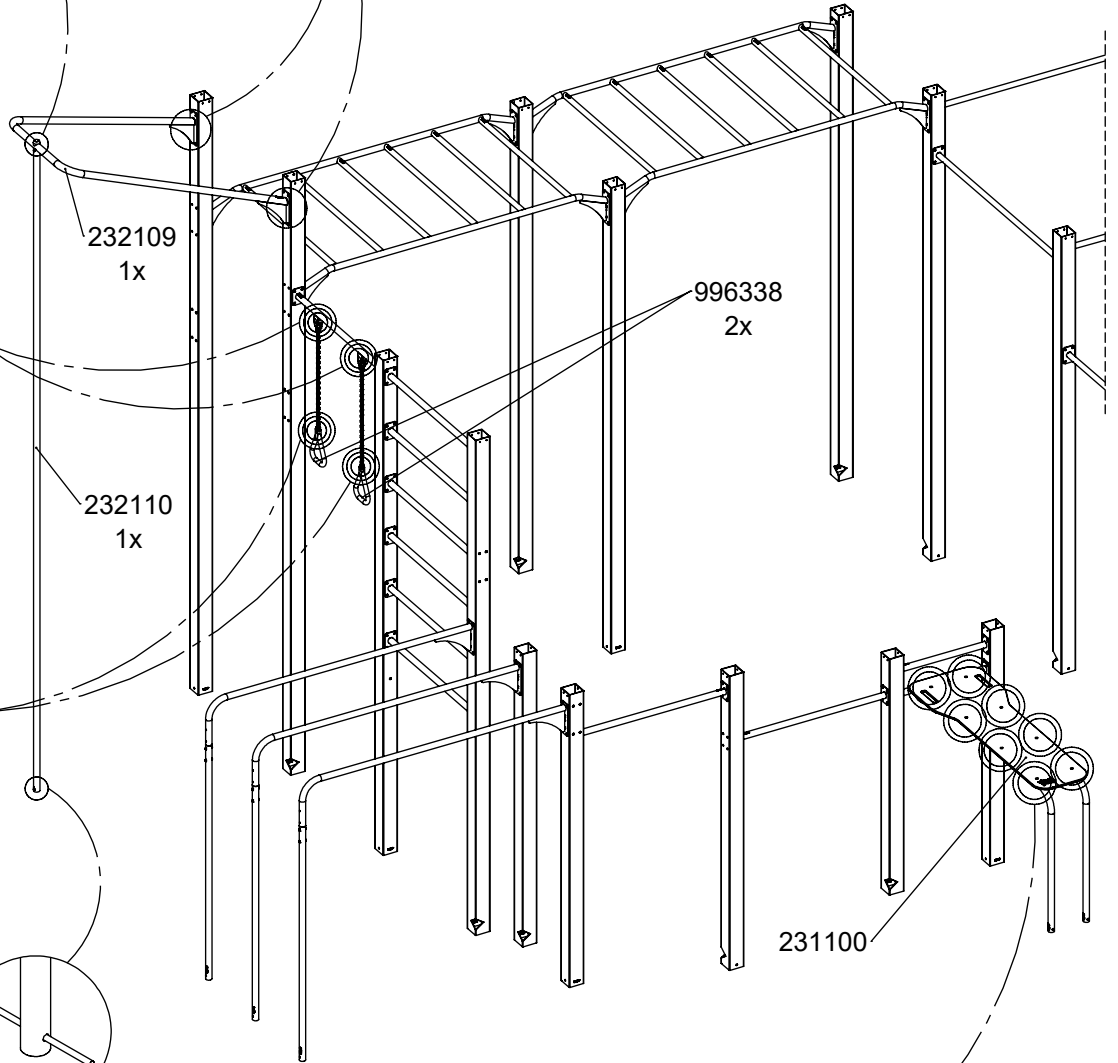
1x 23e043



232110
1x

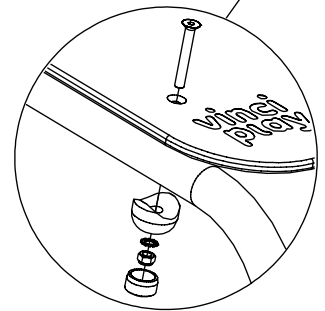


232109
1x



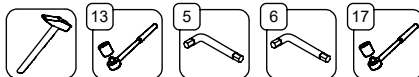
996338
2x

231100

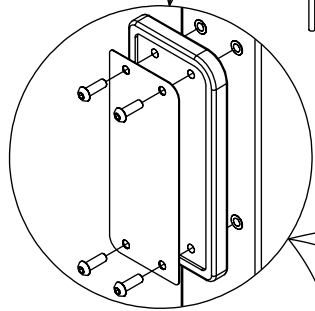
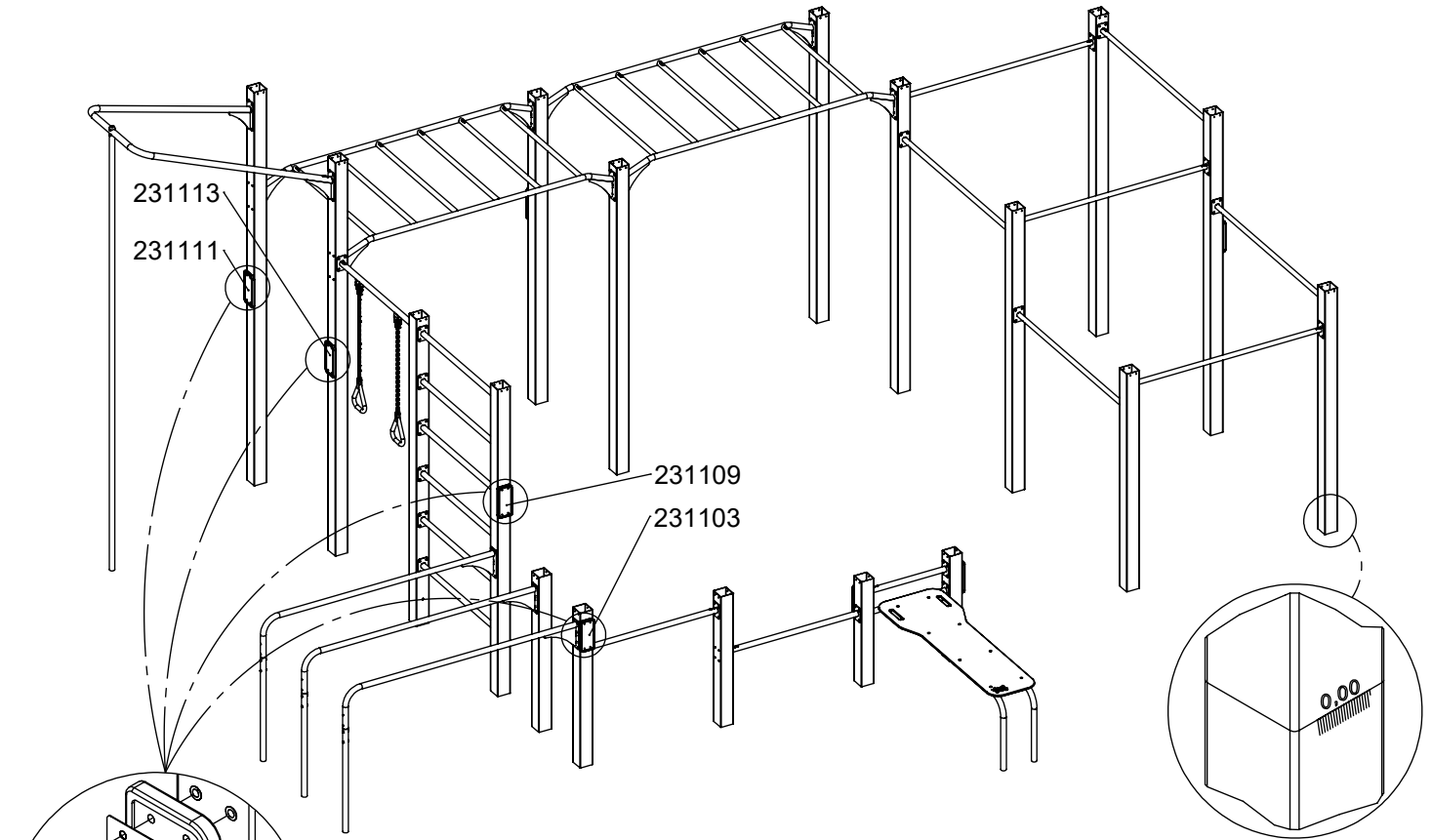


1x 23e040

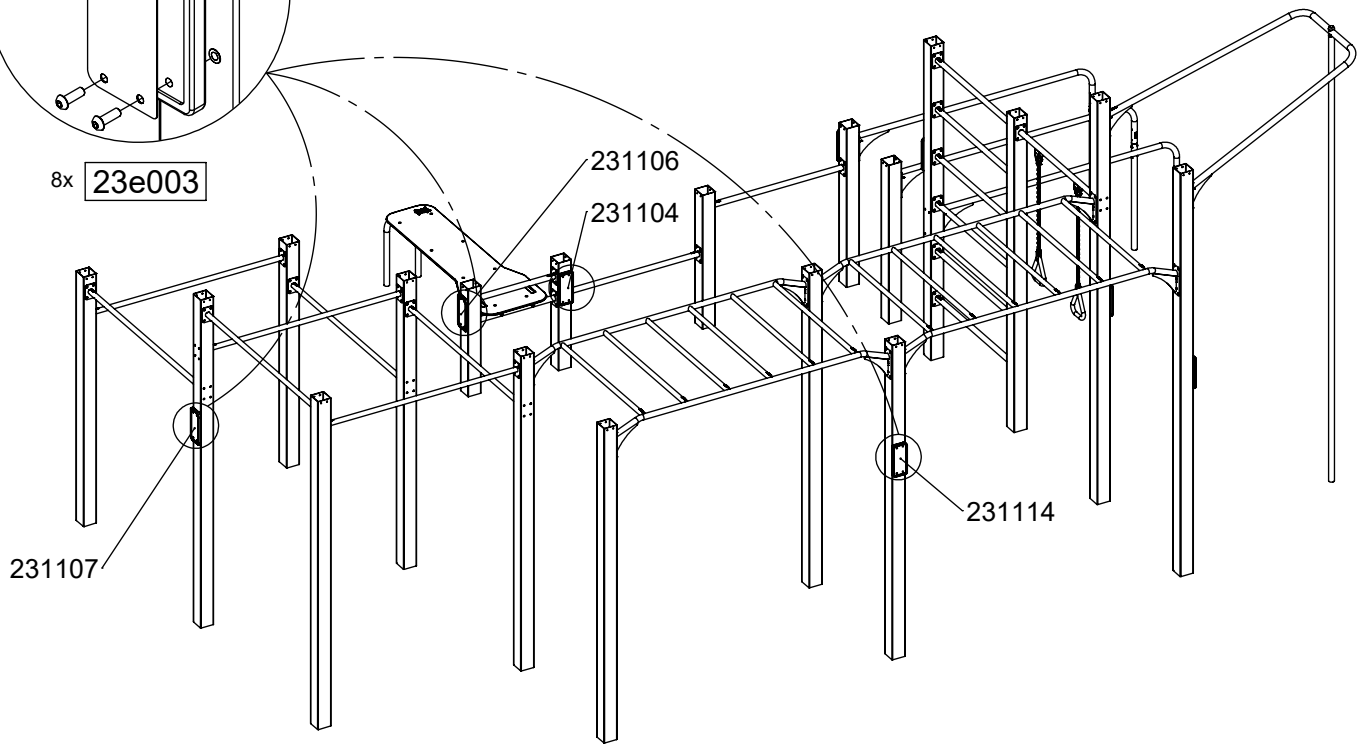
[cm]



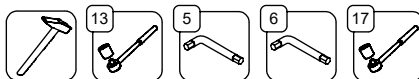
vinci
play



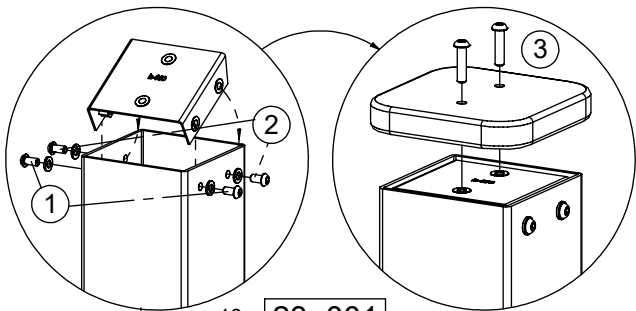
8x **23e003**



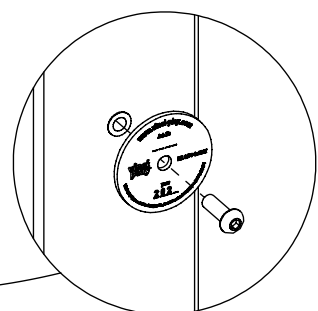
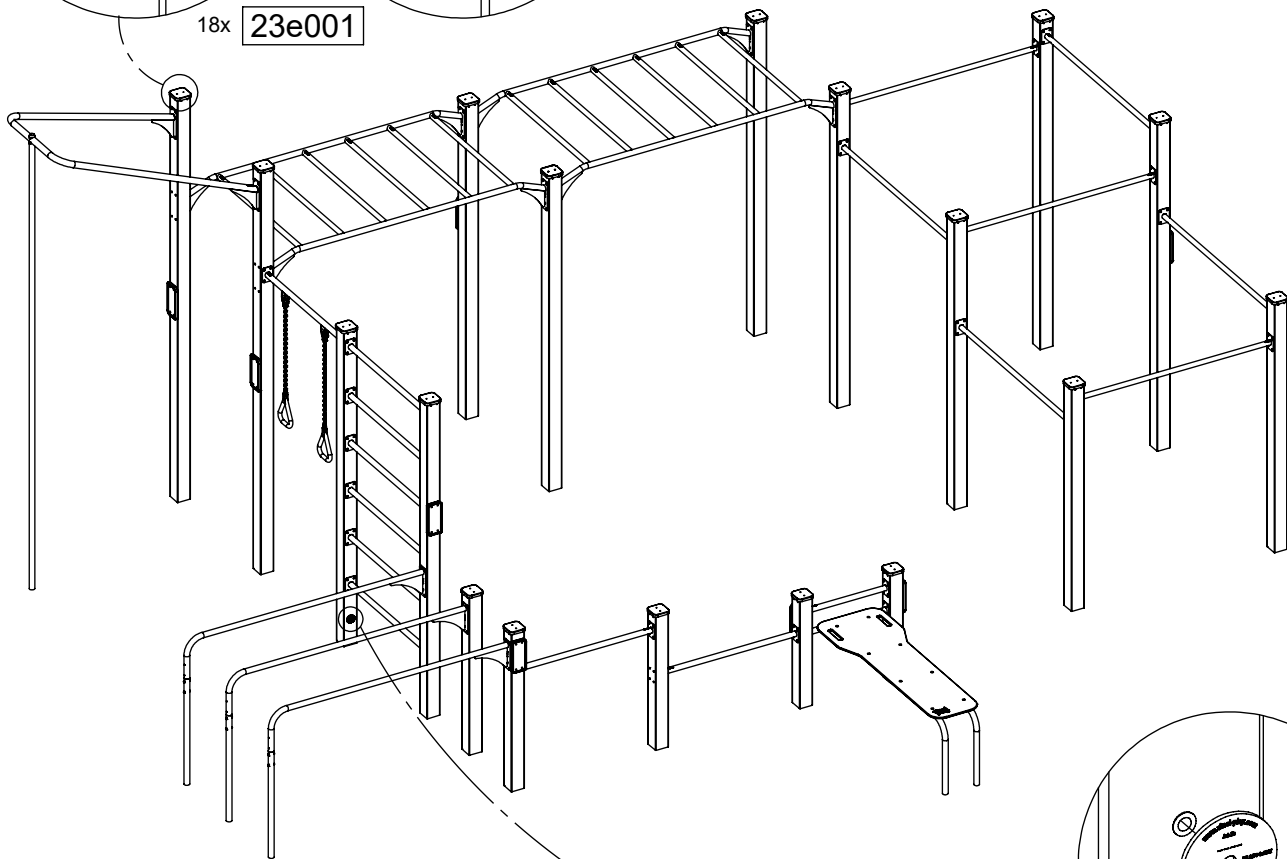
[cm]



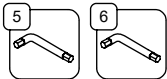
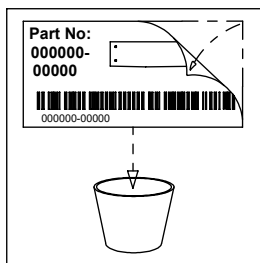
vinci
play



18x 23e001



1x V003



[cm]

vinci
play