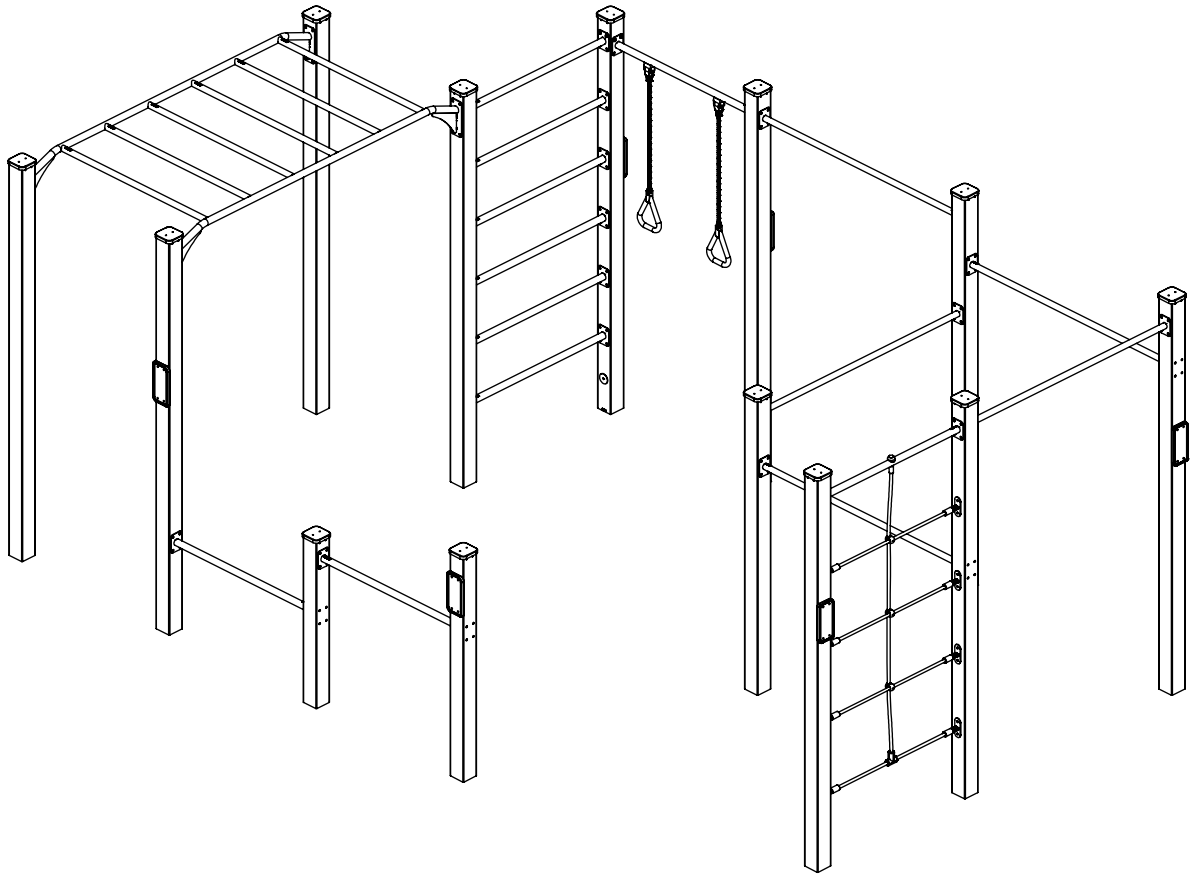
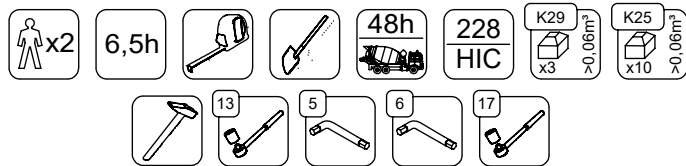


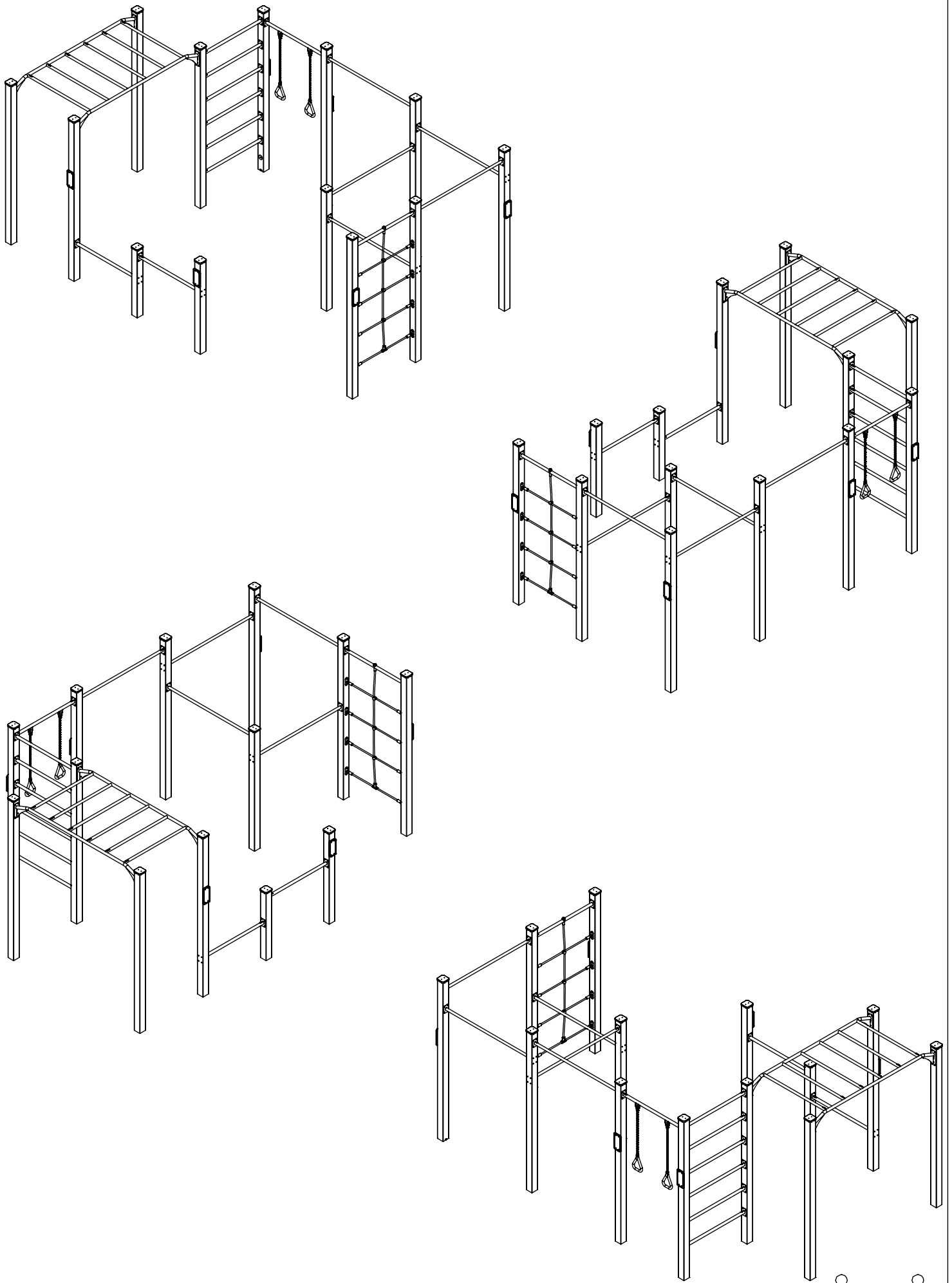
2326



v010
30.11.2021
B. K.
[cm]

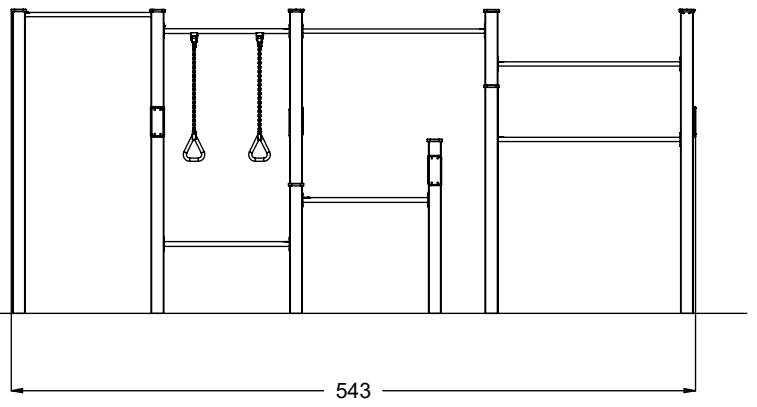
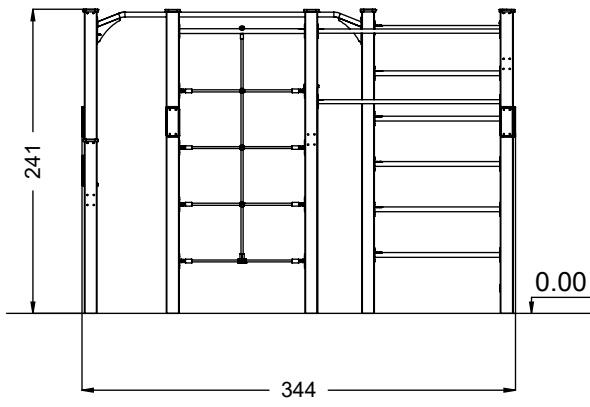


vinci
play



[cm]

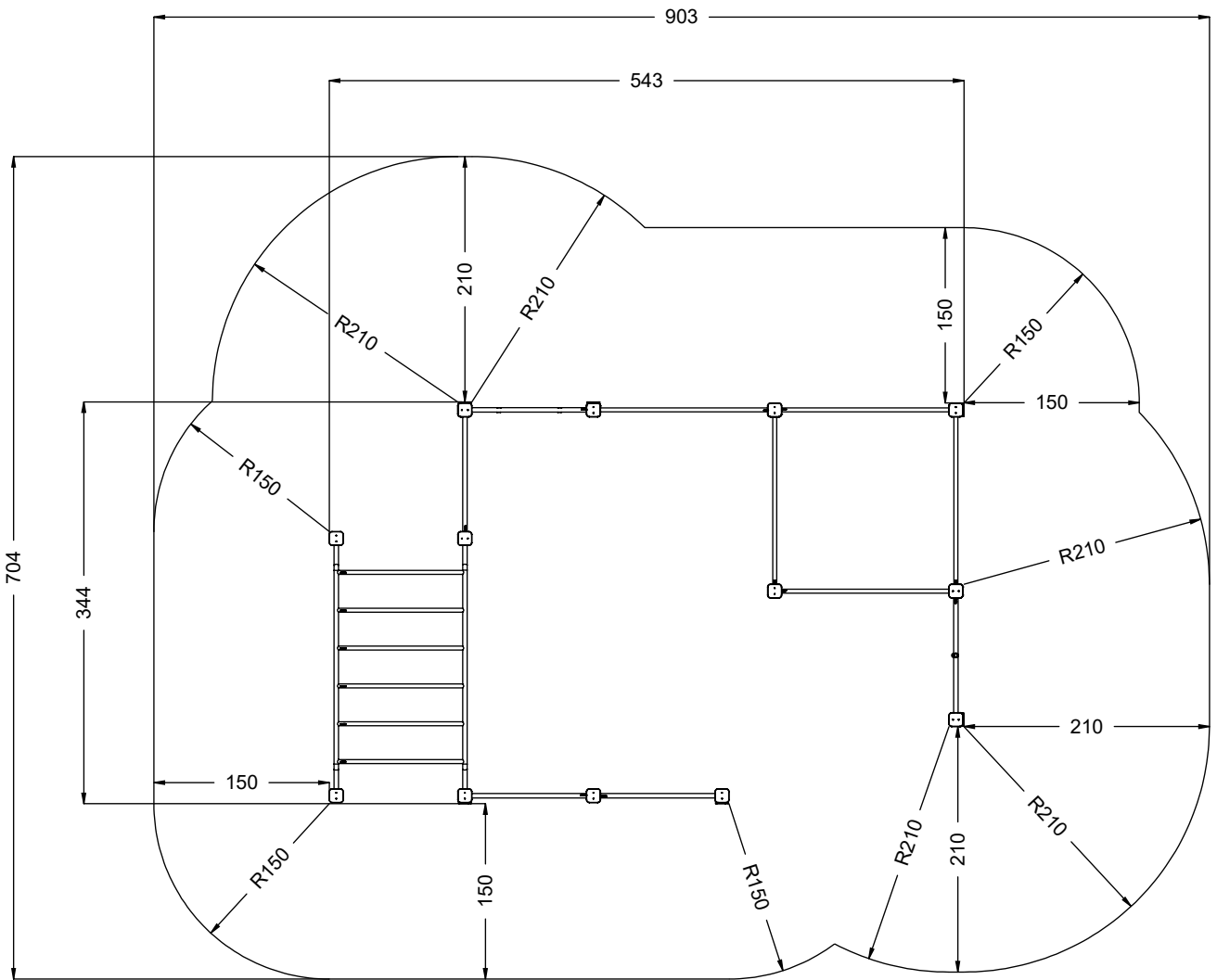
vinci
play



[cm]



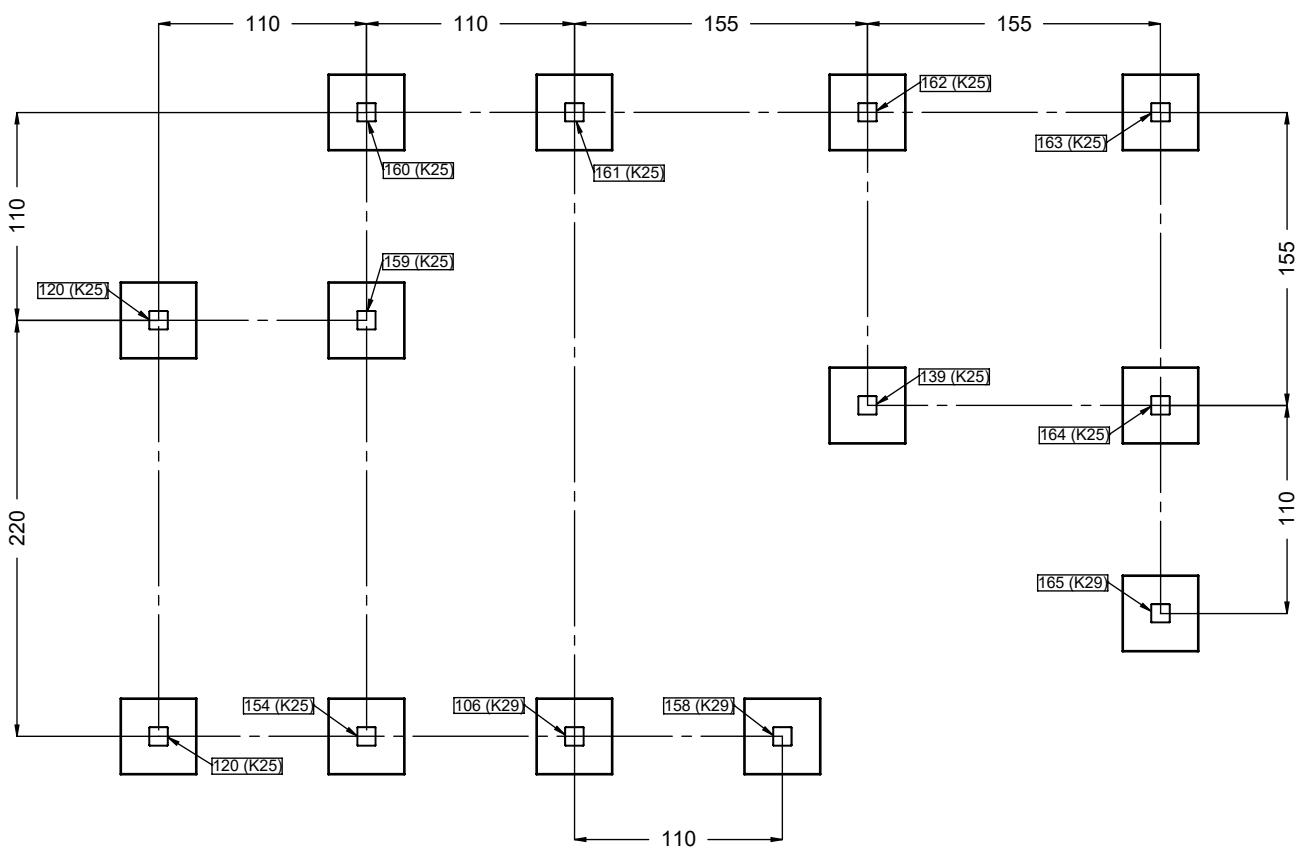
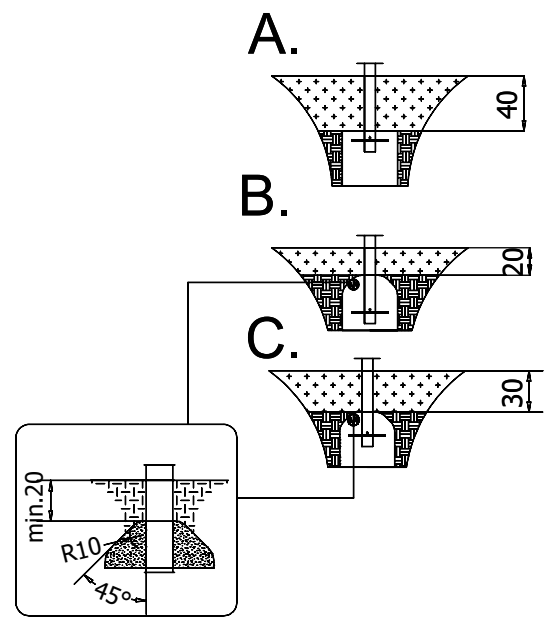
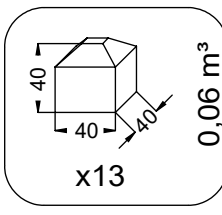
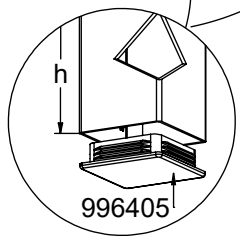
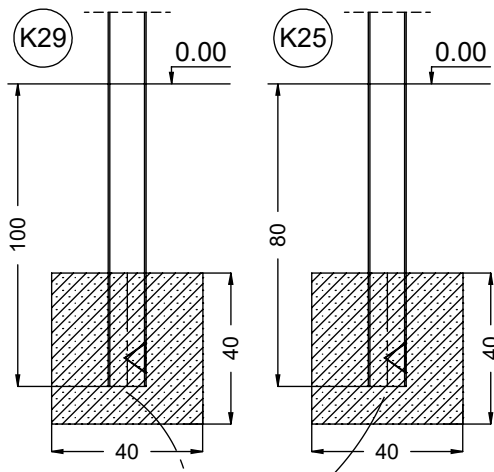
vinci
play



[cm]



vinci
play

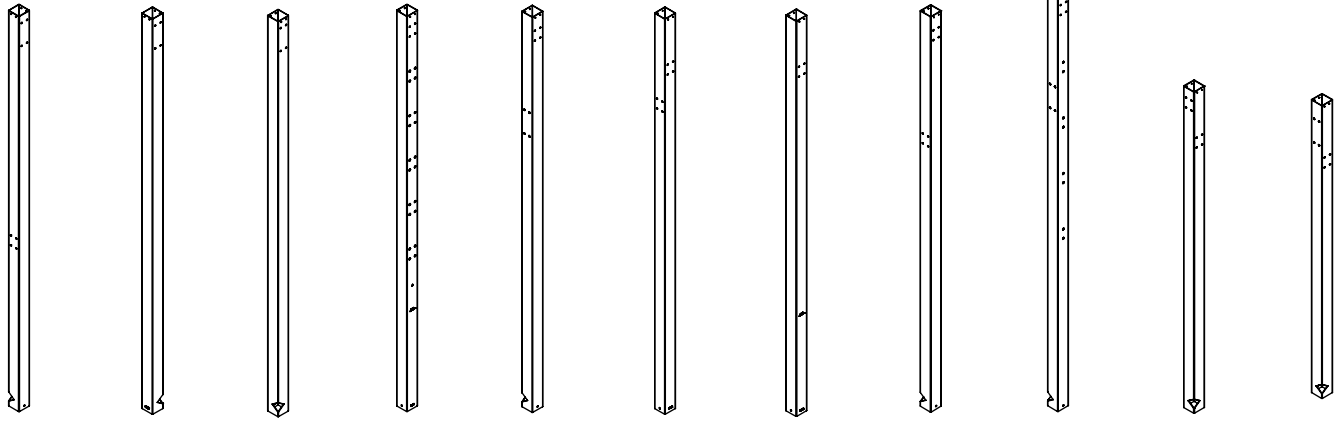


[cm]

x2
 6,5h

 48h
 K29 x3 >0,06m³
 K25 x10 >0,06m³

vinci play



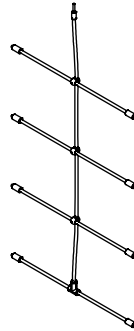
237154 x1 237120 x2 237159 x1 237160 x1 237161 x1 237162 x1 237163 x1 237164 x1 237165 x1 237139 x1 237158 x1



237106 x1



996338 x2



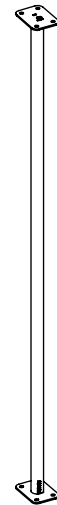
235100 x1



232107 x1



232100 x8

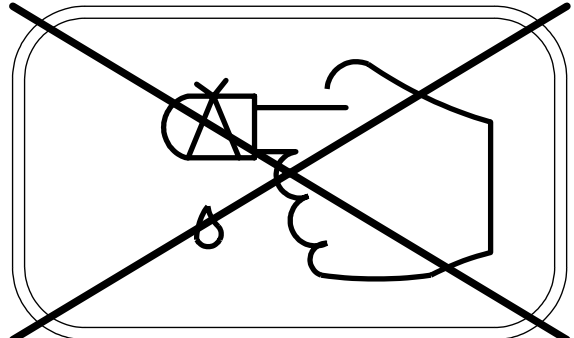
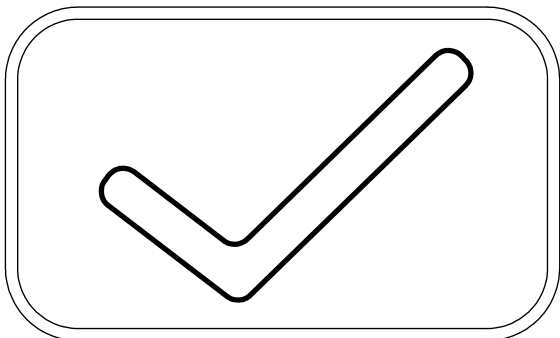
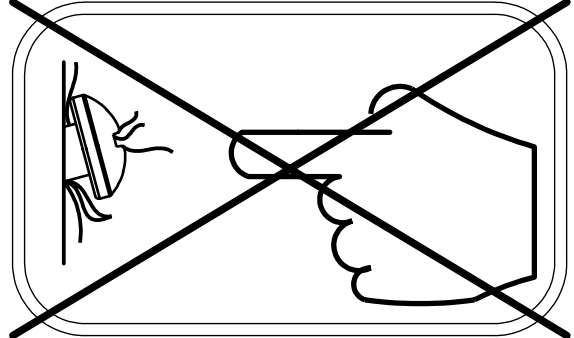
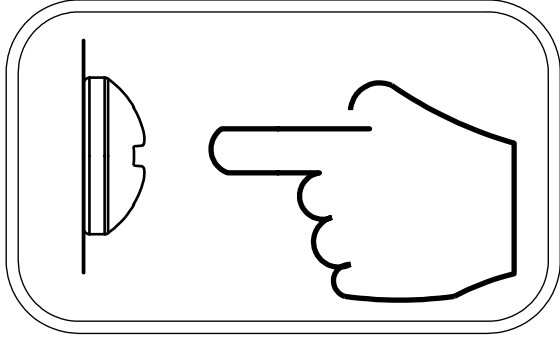
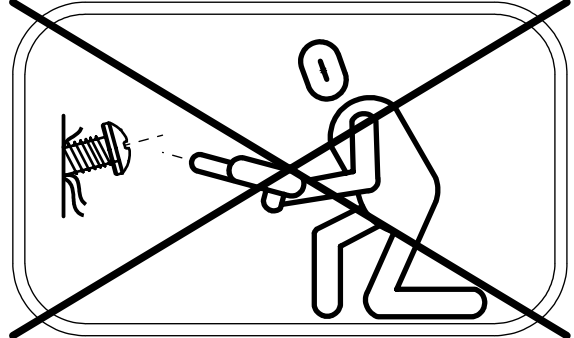
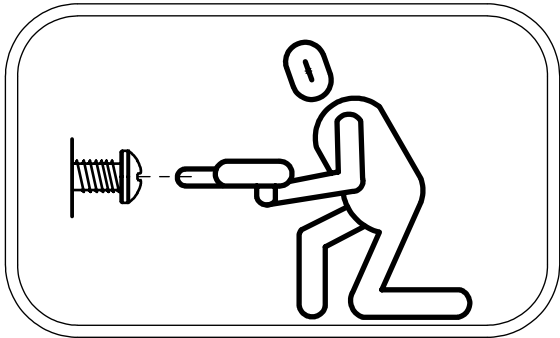


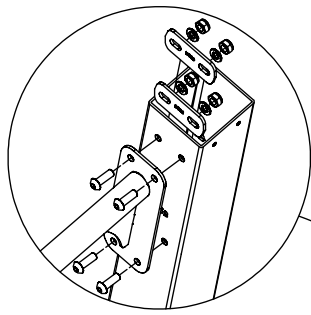
232106 x5



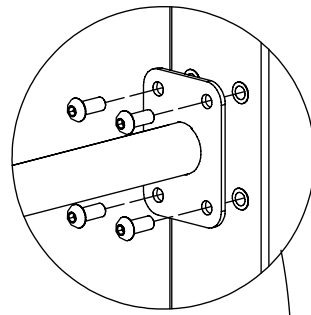
232108 x1

ST/INOX	
13x	23e001
16x	23e004
8x	23e005
10x	23e008
1x	23e041
1x	23e043
6x	23e003
1x	236104
1x	236107
1x	236109
1x	236110
1x	236113
1x	236114
13	996405
1x	V003

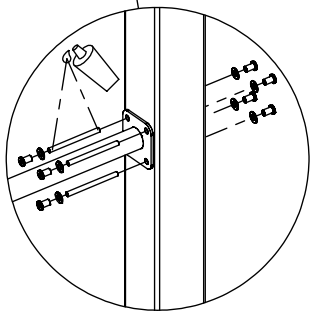
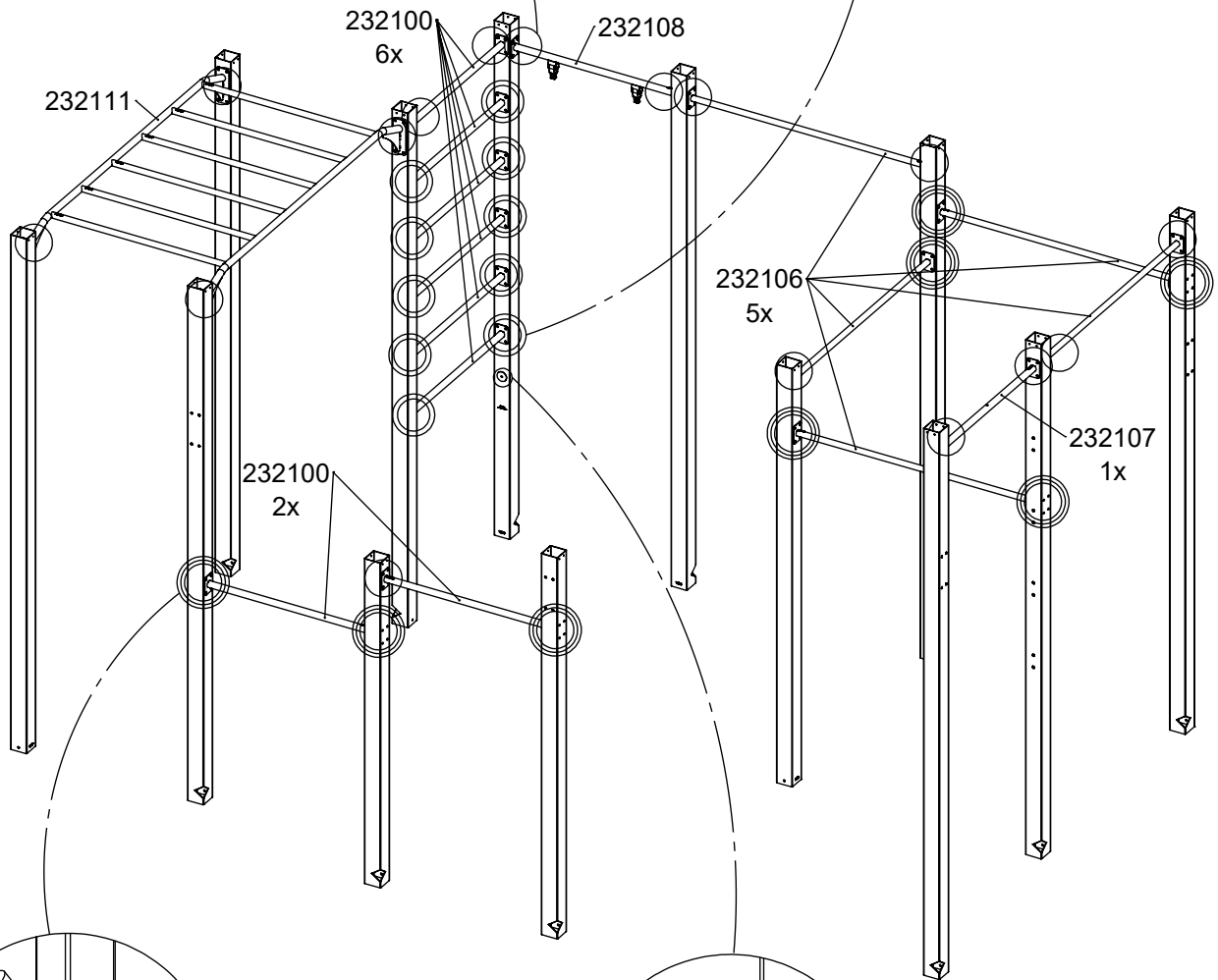




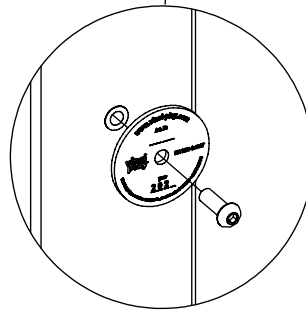
16x 23e004



10x 23e008

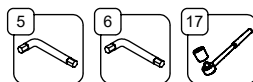


8x 23e005

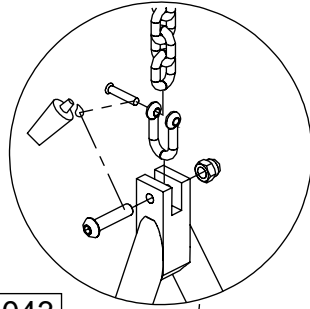
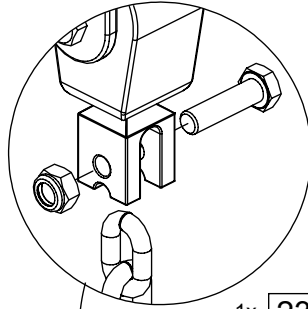


1x V003

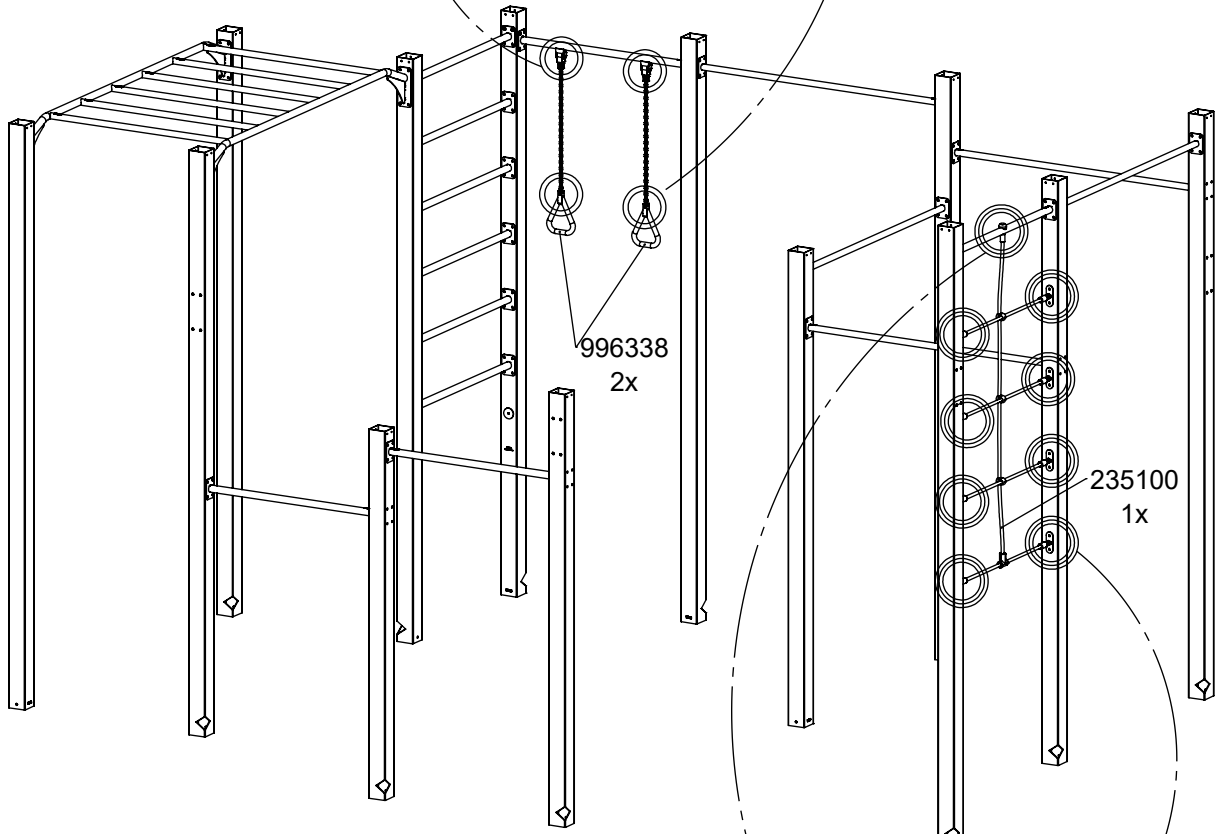
[cm]



vinci play

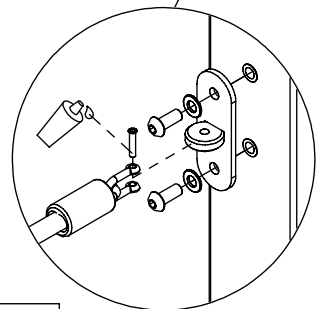
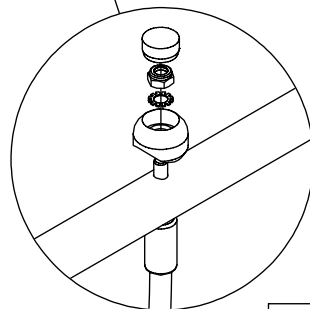


1x 23e043



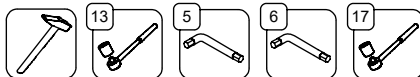
996338
2x

235100
1x

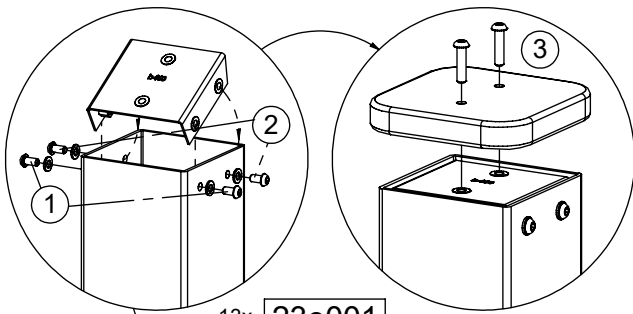


1x 23e041

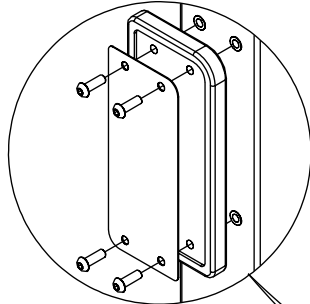
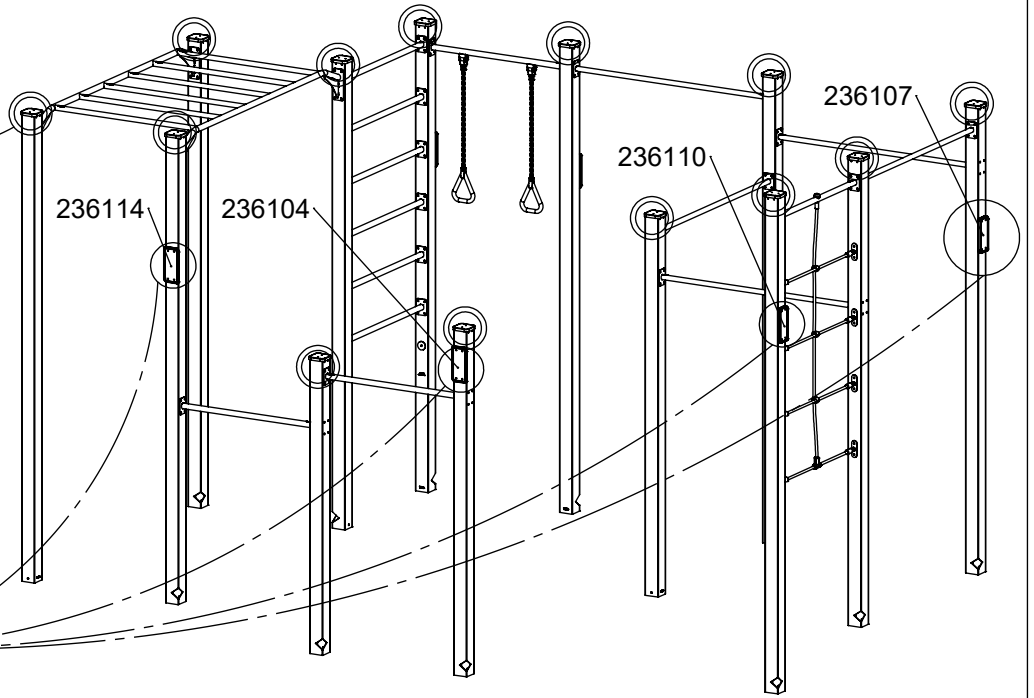
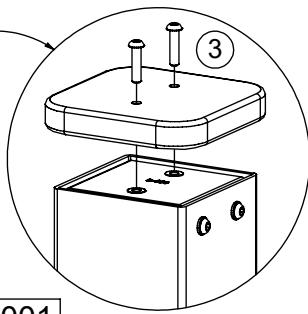
[cm]



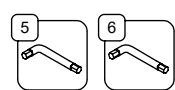
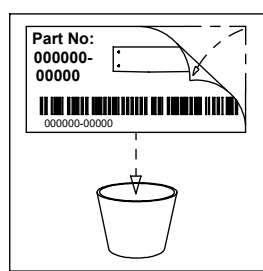
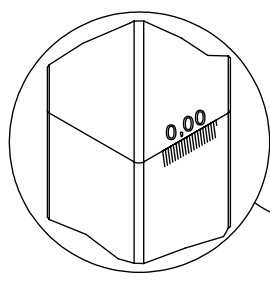
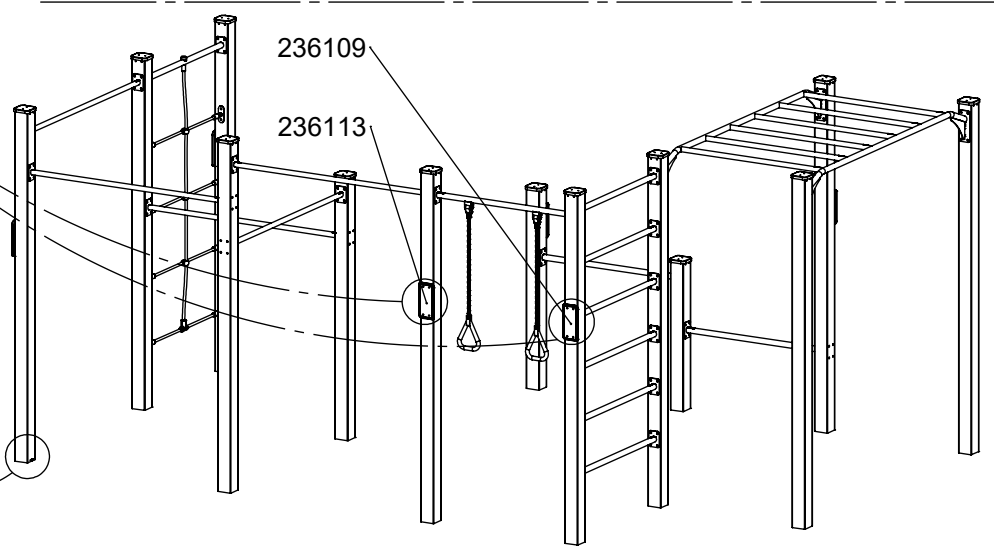
vinci
play



13x **23e001**



6x **23e003**



[cm]

vinci
play