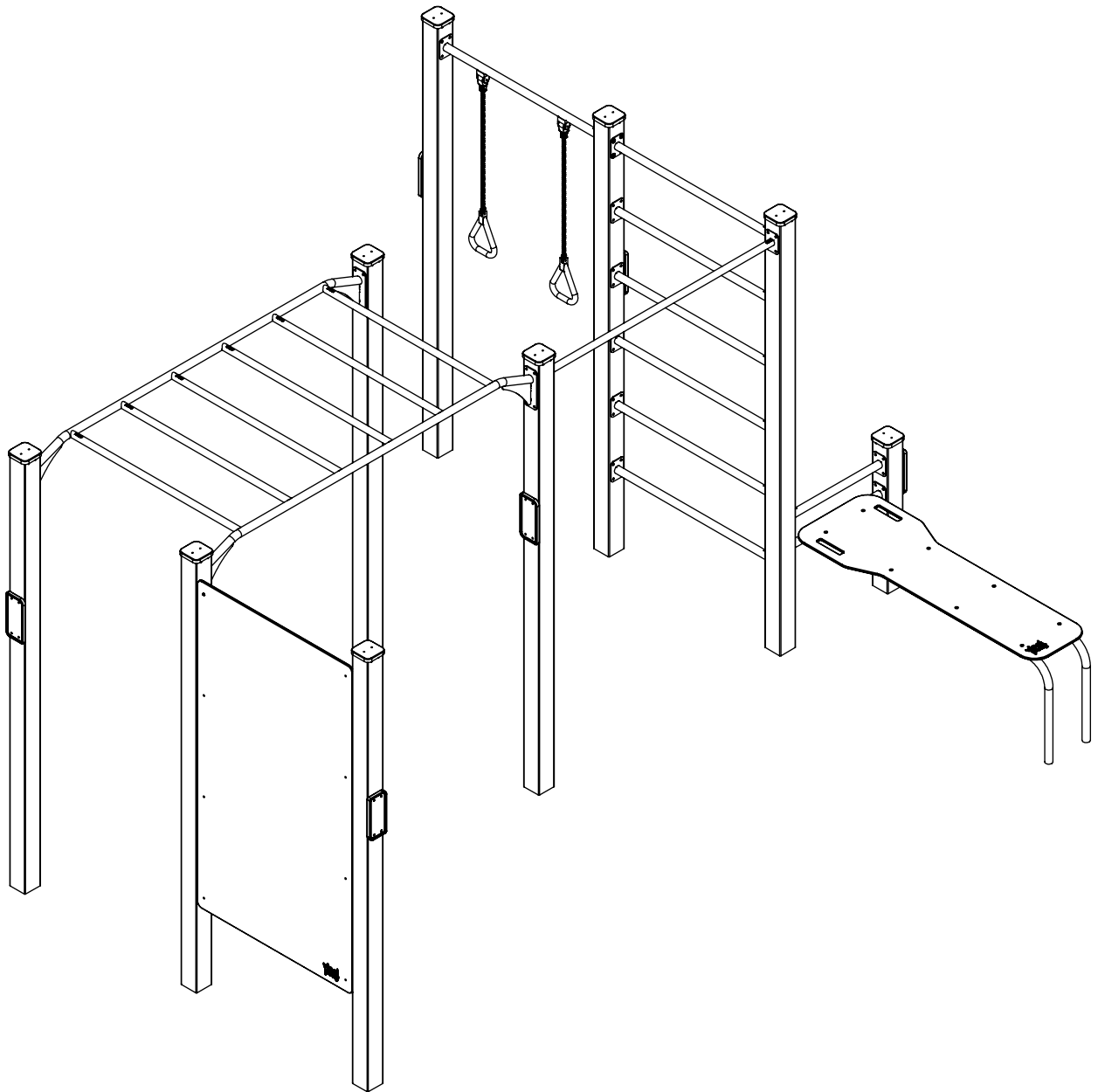
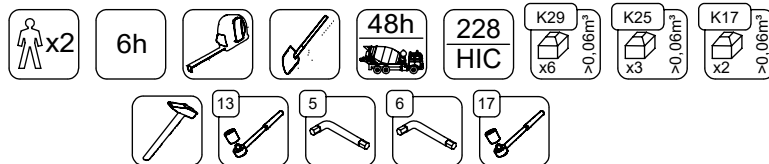


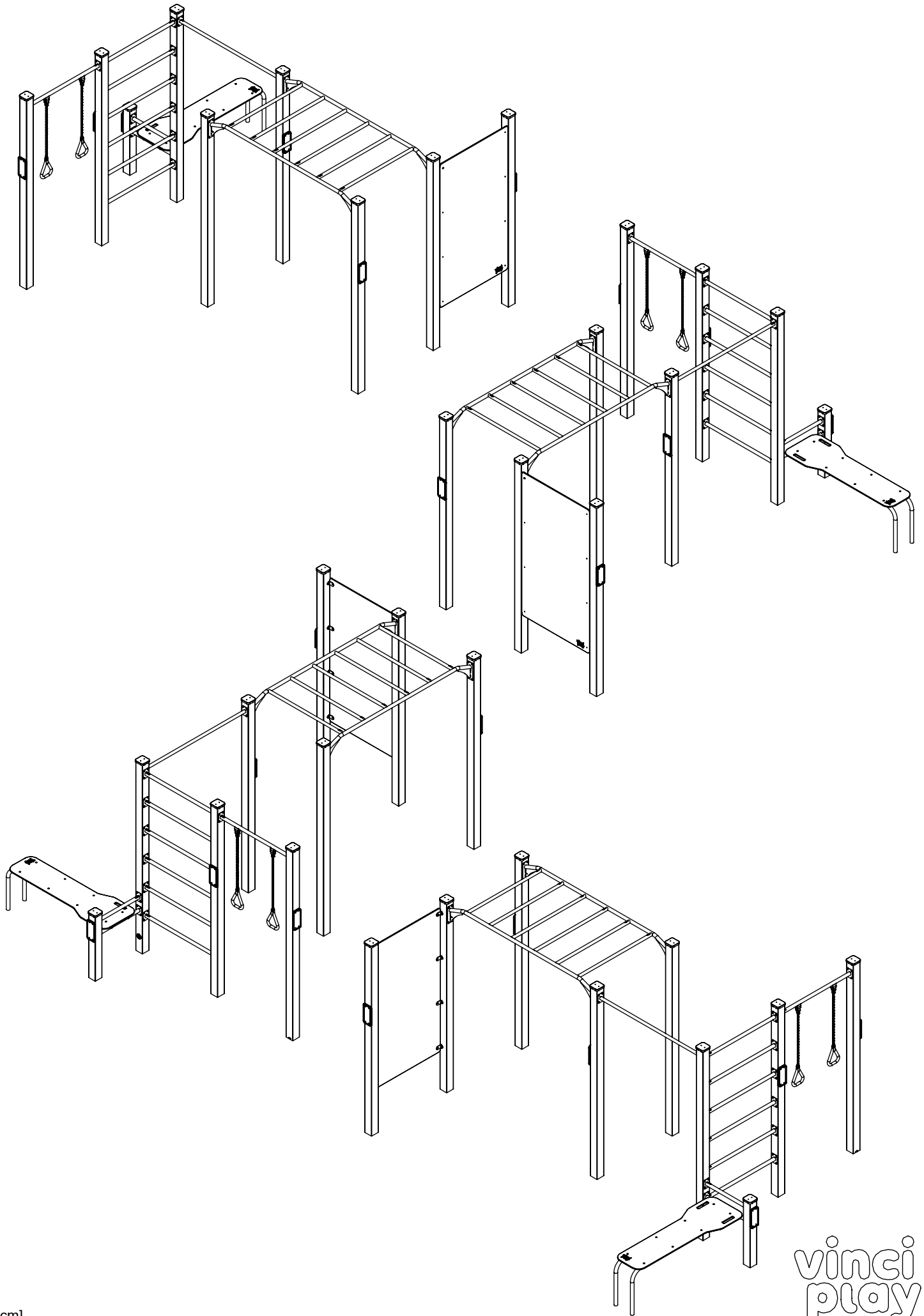
2324



v010
30.11.2021
B. K.
[cm]

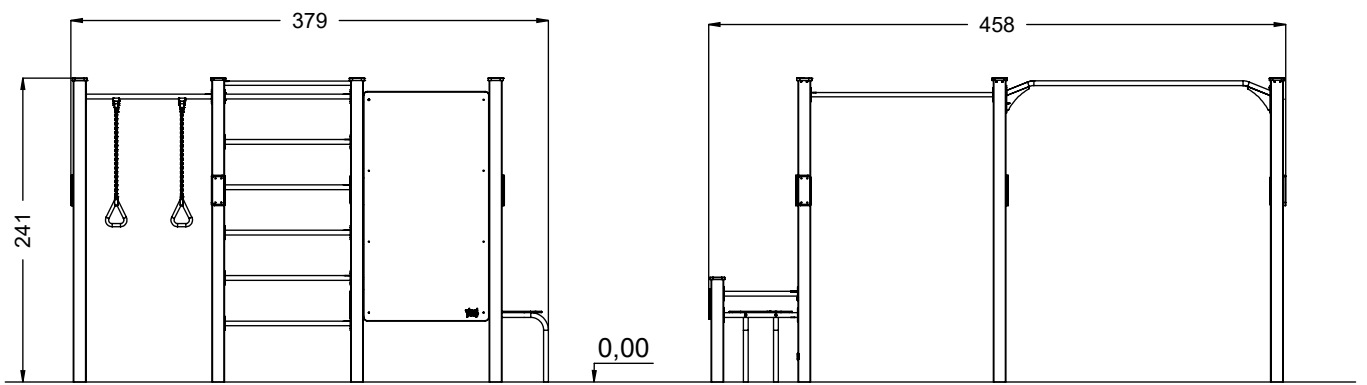


vinci
play



[cm]

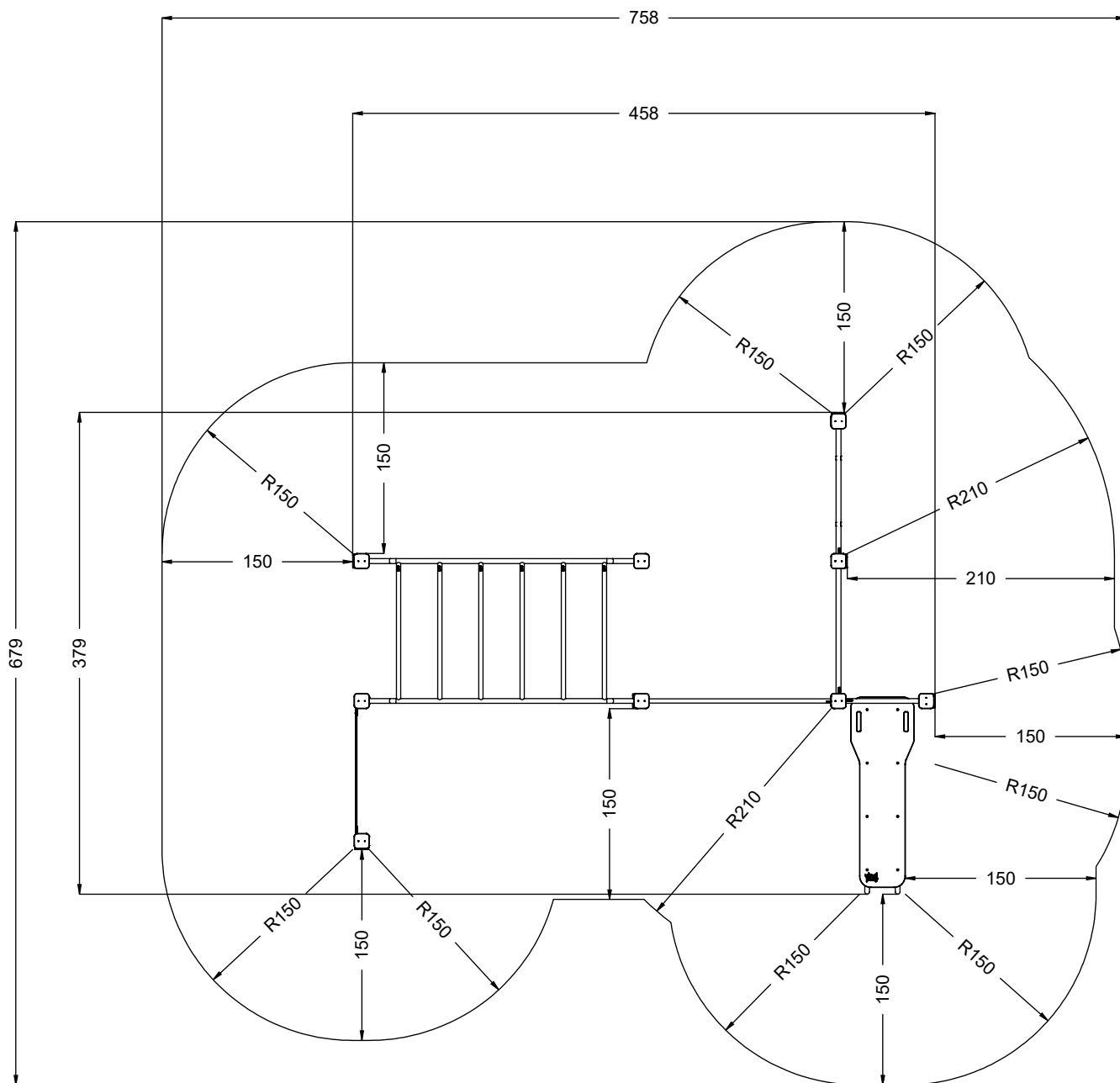
vinci
play



[cm]



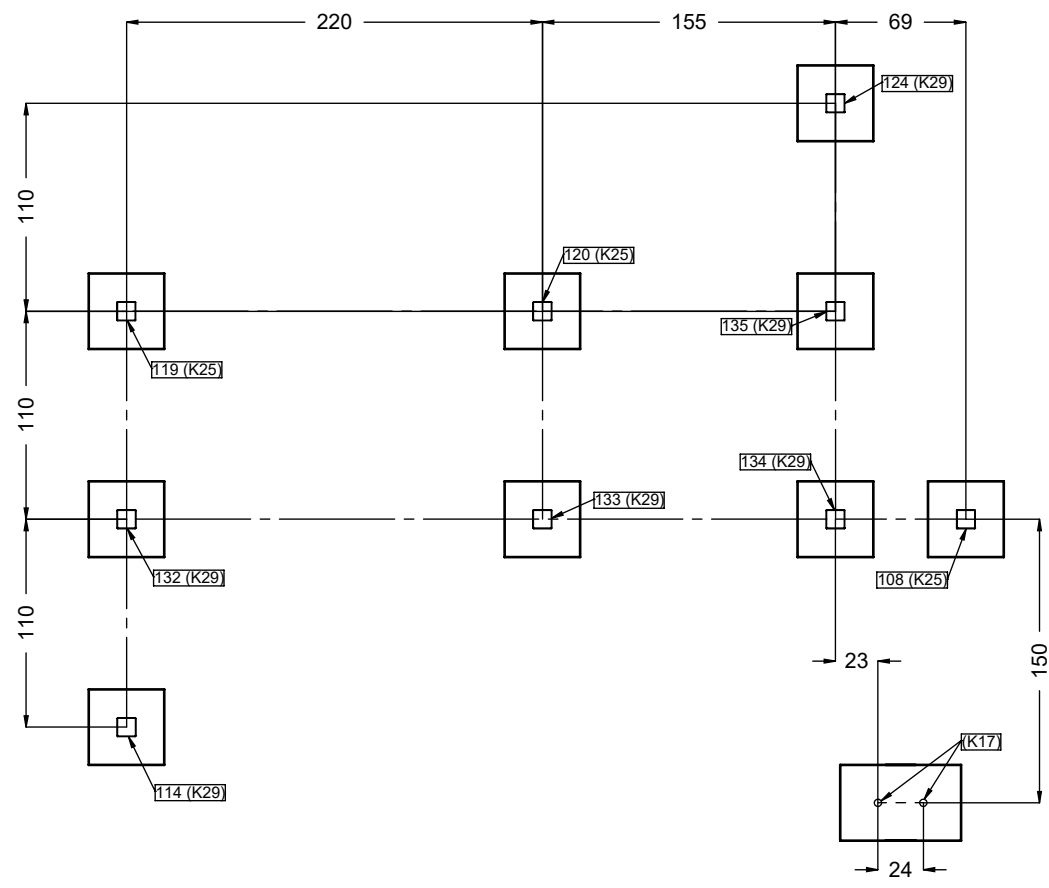
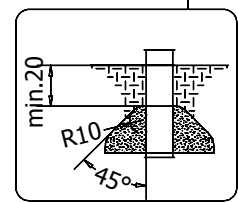
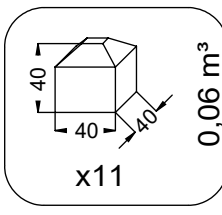
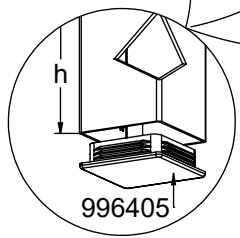
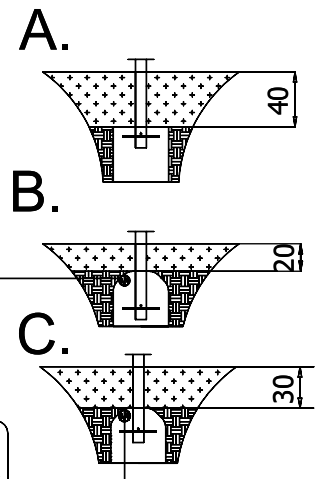
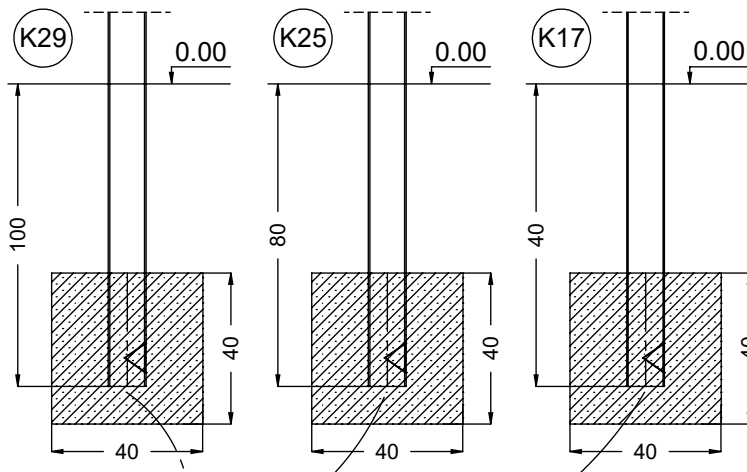
vinci
play



[cm]



vinci
play



[cm]

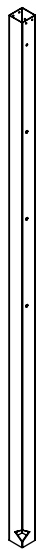
x2
 6h

 48h
 K29 x6 >0.06m³
 K25 x3 >0.06m³
 K17 x2 >0.06m³

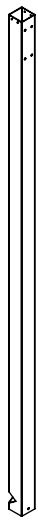
vinci play



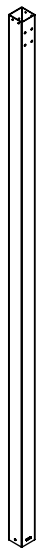
237114
x1



237132
x1



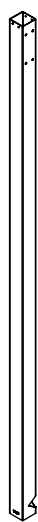
237119
x1



237133
x1



237108
x1



237120
x1



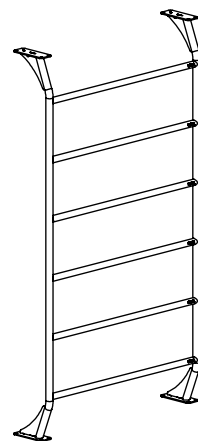
237124
x1



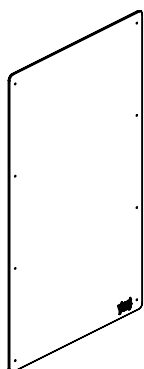
237135
x1



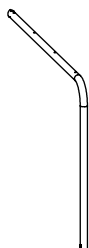
237134
x1



232111
x1



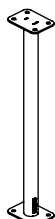
231102
x1



232103
x2



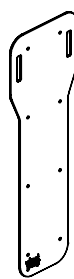
996338
x2



232104
x1



232105
x1



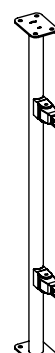
231100
x1



232100
x6

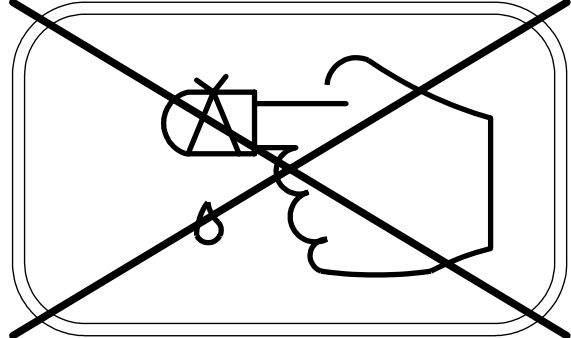
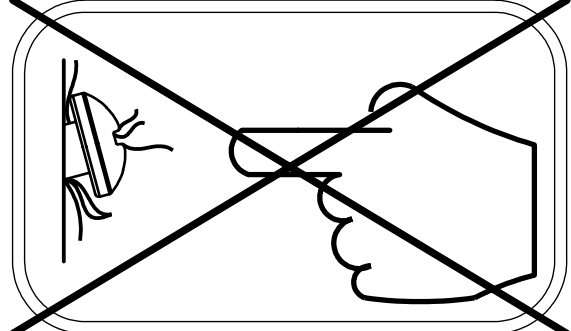
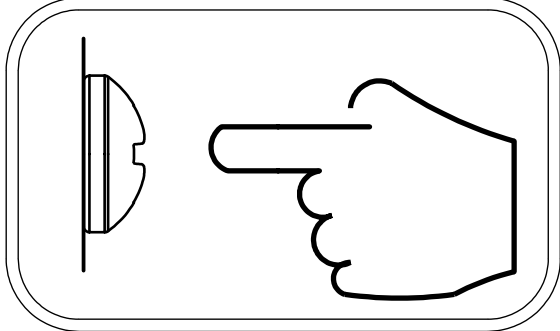
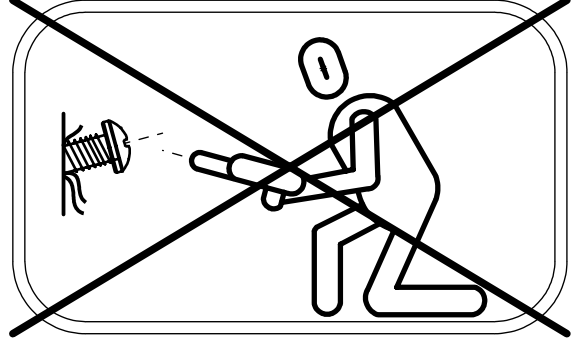
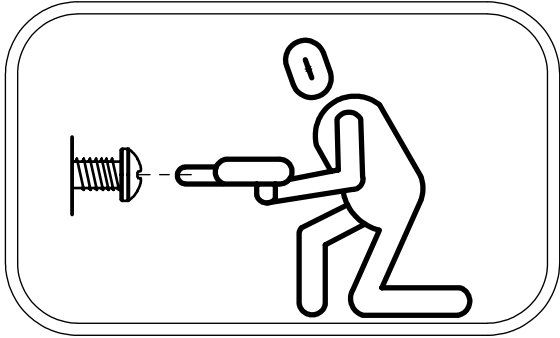


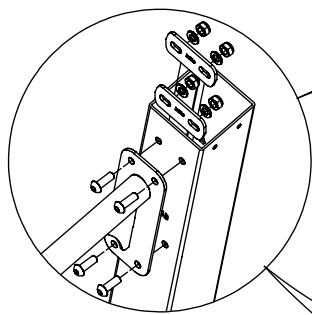
232106
x1



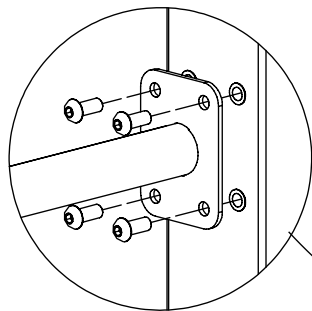
232108
x1

ST/INOX	
9x	23e001
12x	23e004
12x	23e008
1x	23e040
1x	23e042
1x	23e043
1x	23e044
6x	23e003
1x	236106
1x	236107
1x	236108
1x	236109
1x	236113
1x	236114
9x	996405
1x	V003

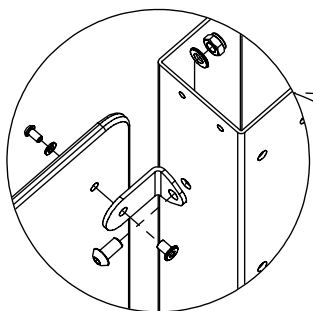
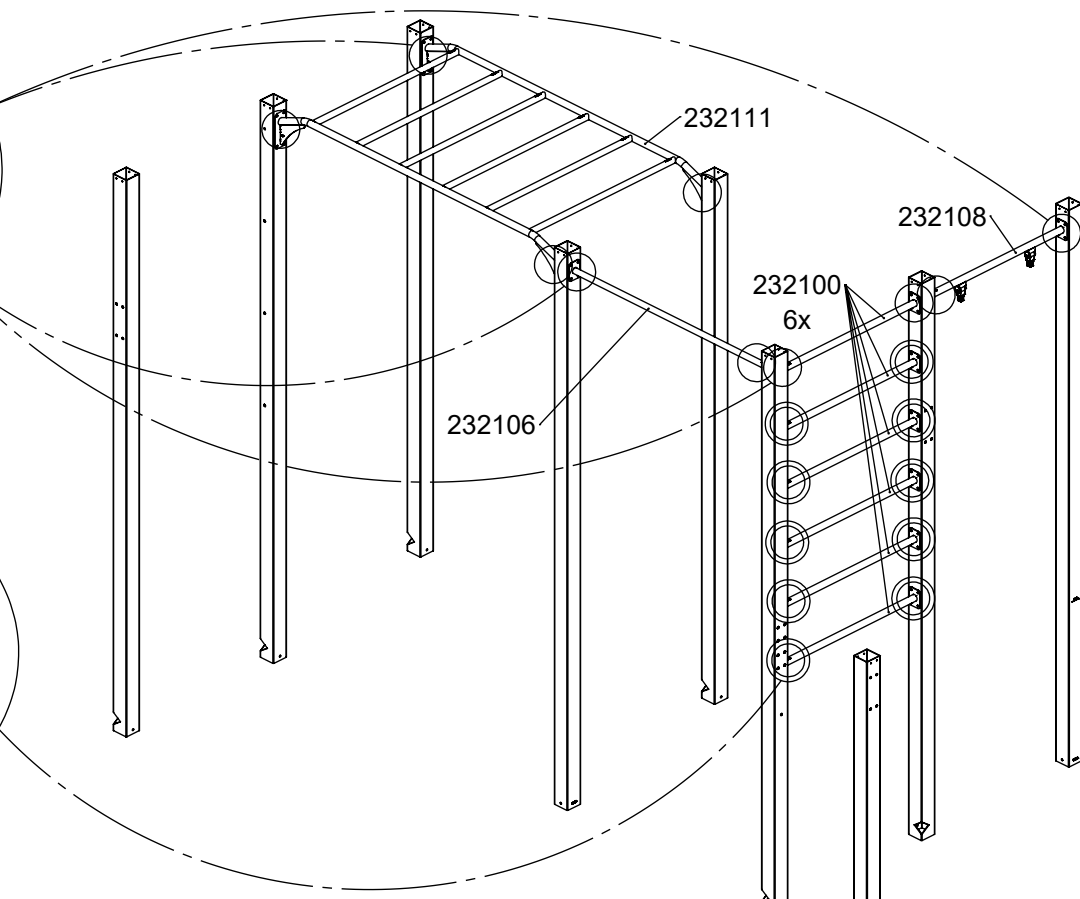




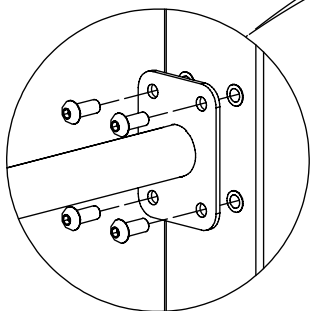
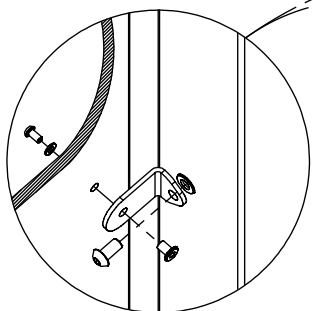
10x 23e004



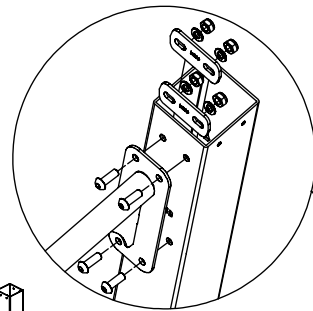
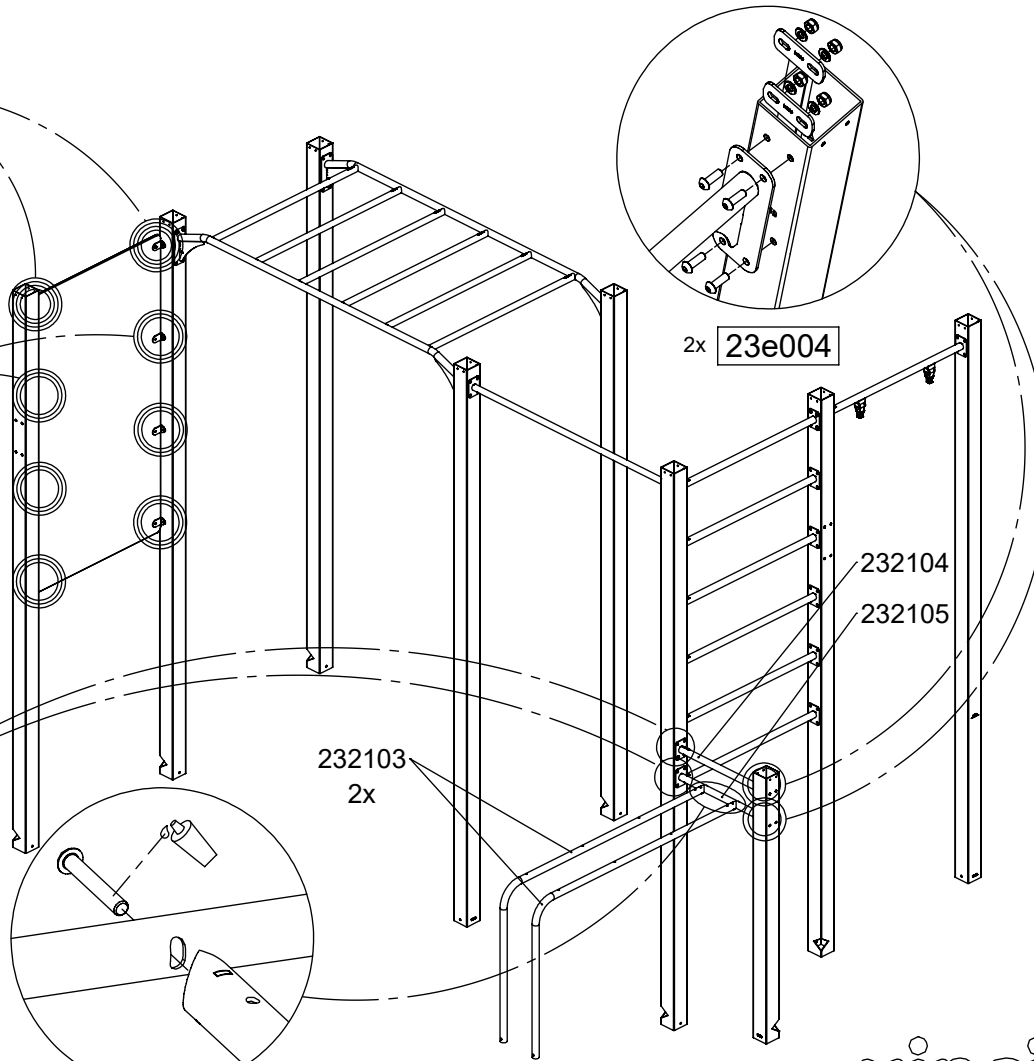
10x 23e008



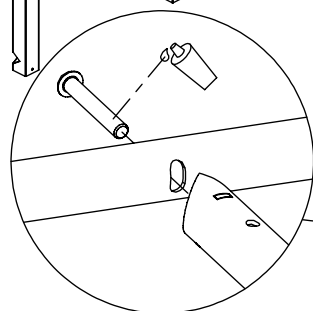
1x 23e044



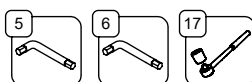
2x 23e008



2x 23e004

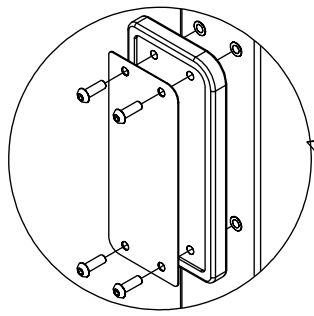


1x 23e042



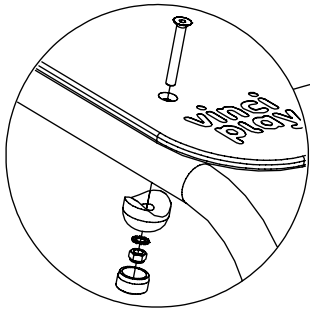
[cm]

vinci play

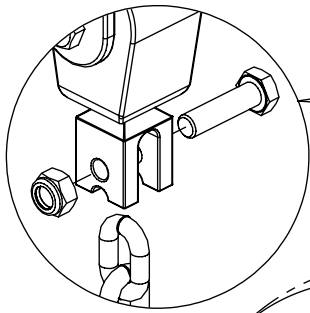
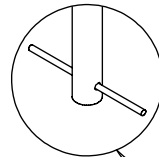


3x 23e003

236108

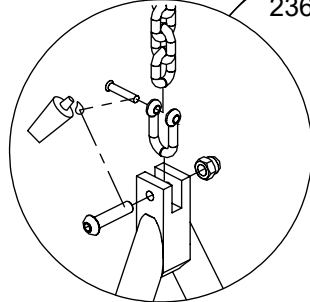


1x 23e040

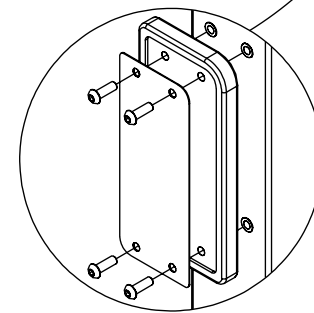


236113

996338
2x

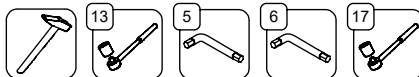


1x 23e043



3x 23e003

[cm]



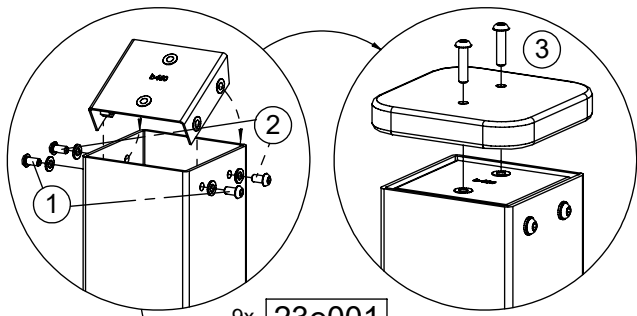
13

5

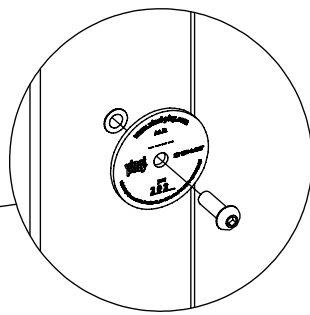
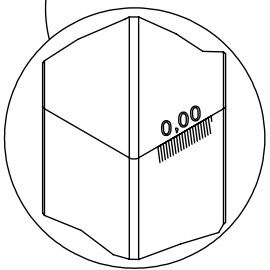
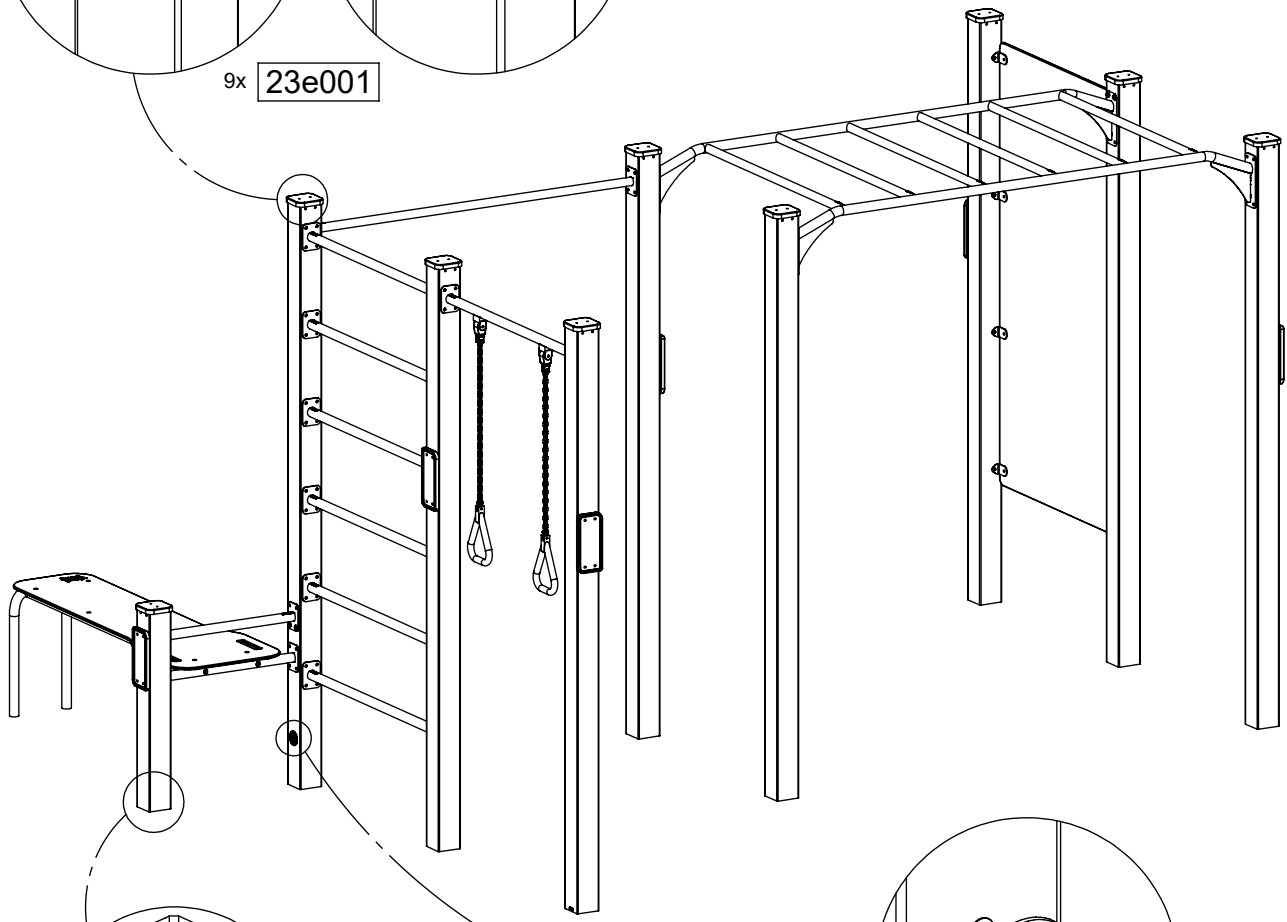
6

17

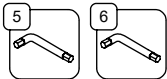
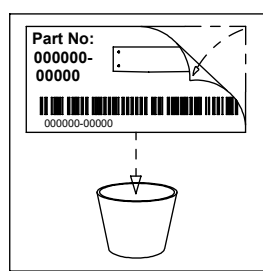
vinci
play



9x 23e001



1x V003



[cm]

vinci
play