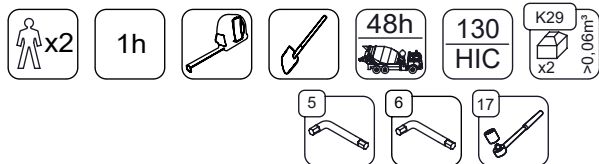
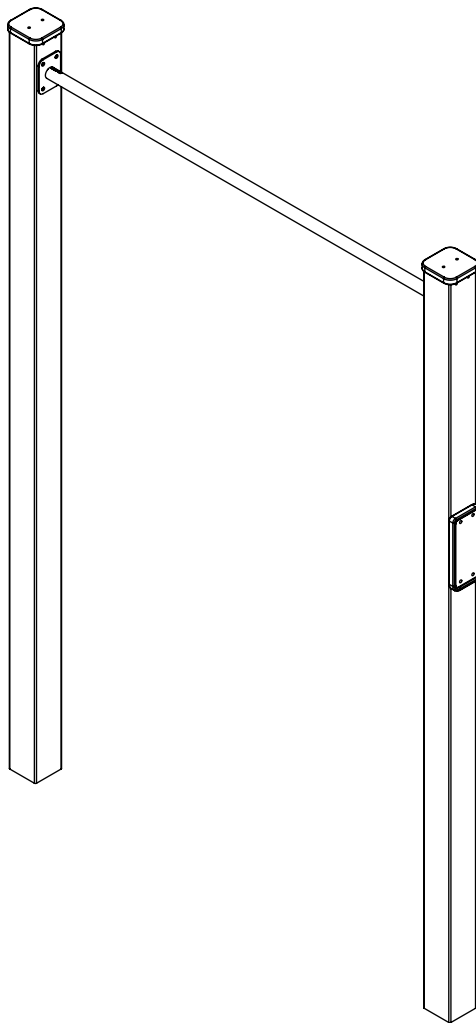
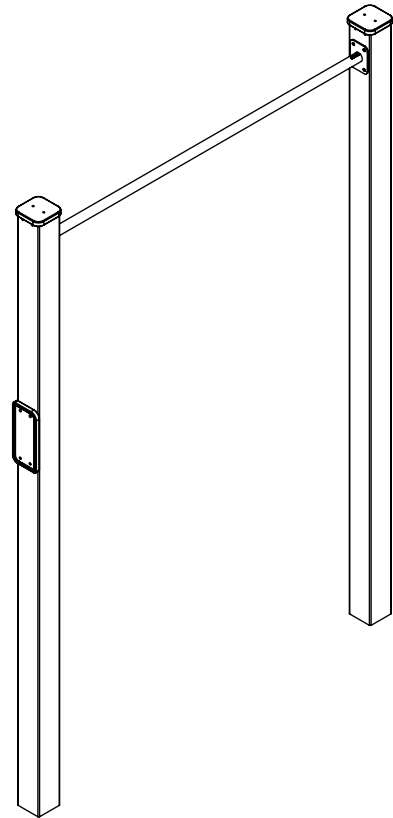
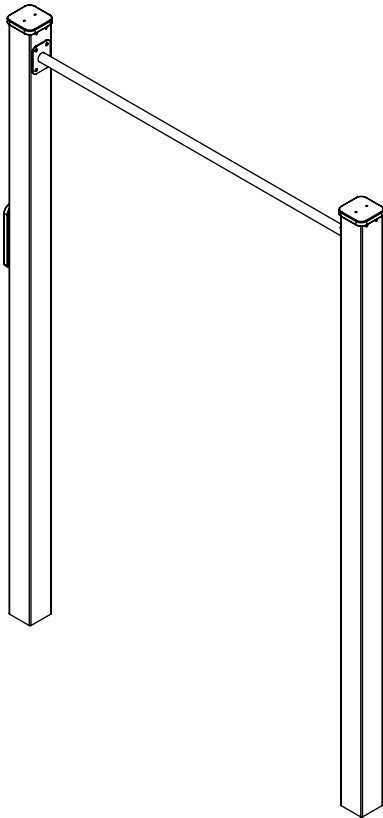
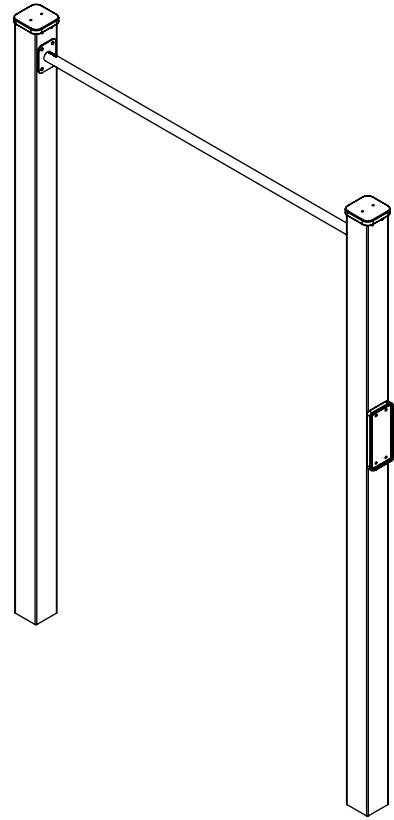
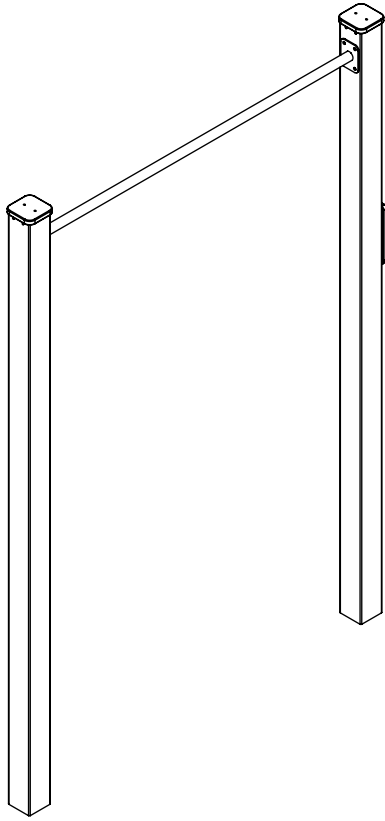


2307



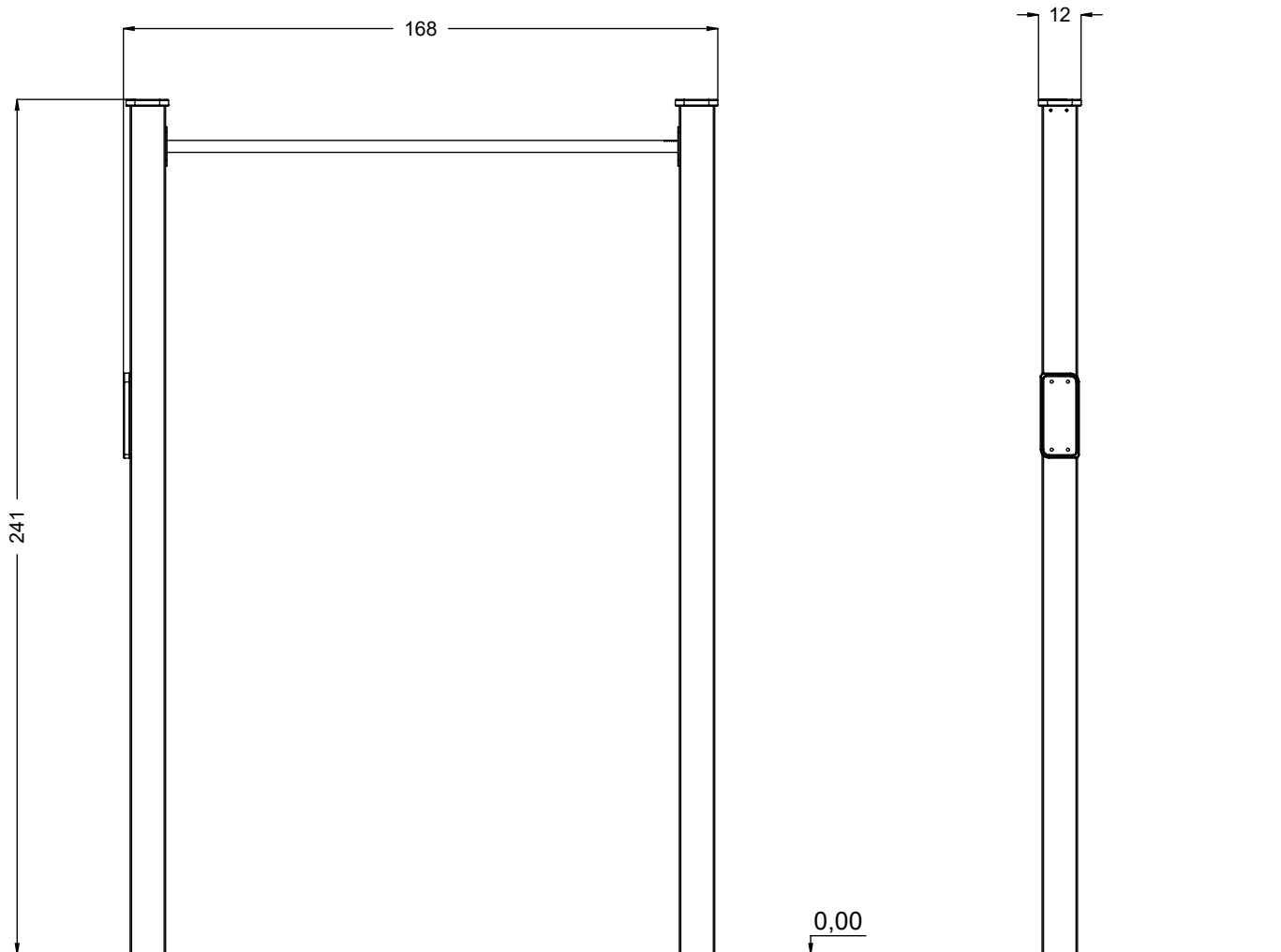
v010
28.04.2021
A. H.
[cm]

vinci
play



[cm]

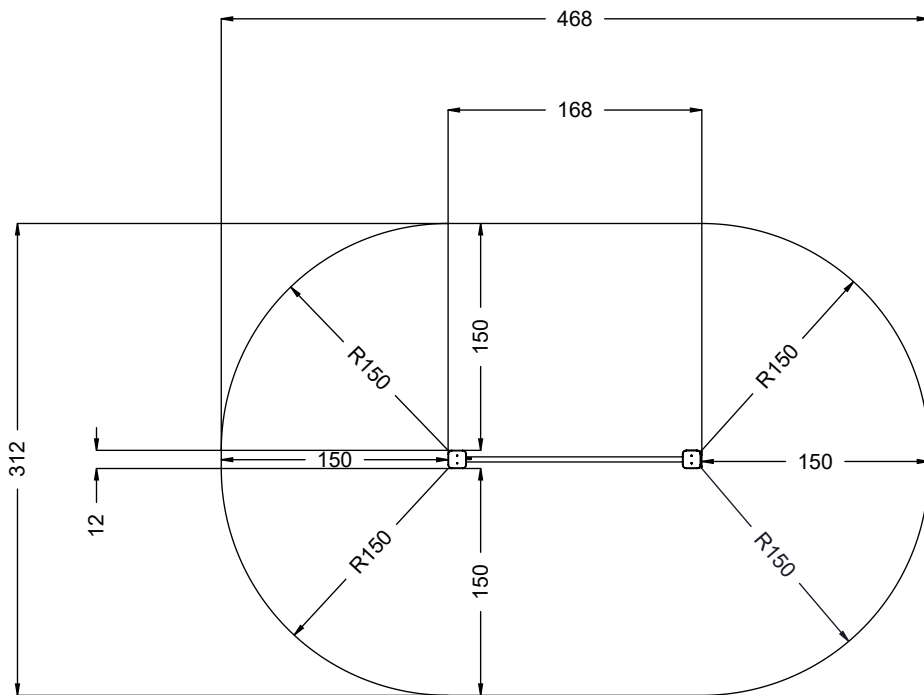
vinci
play



[cm]



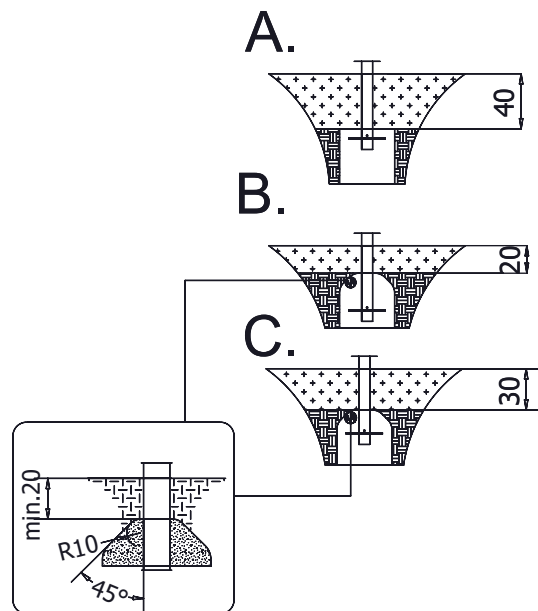
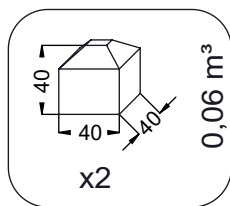
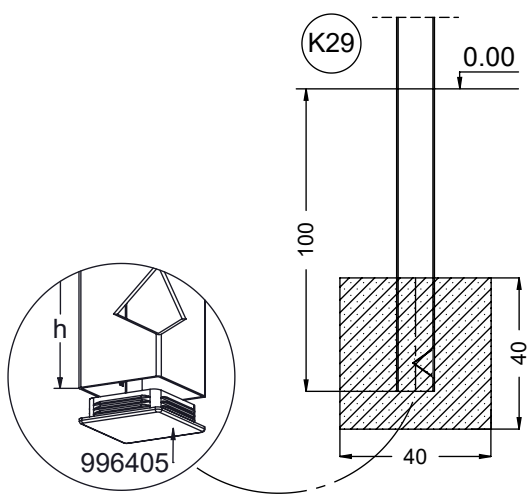
vinci
play



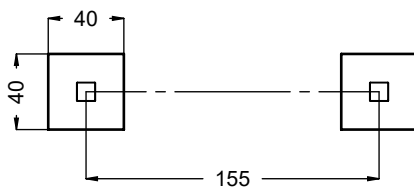
[cm]



vinci
play



K29

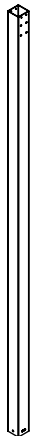


[cm]



>0,06m³

vinci
play



237110
x1

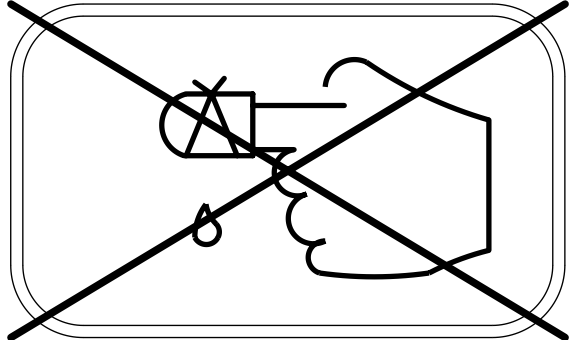
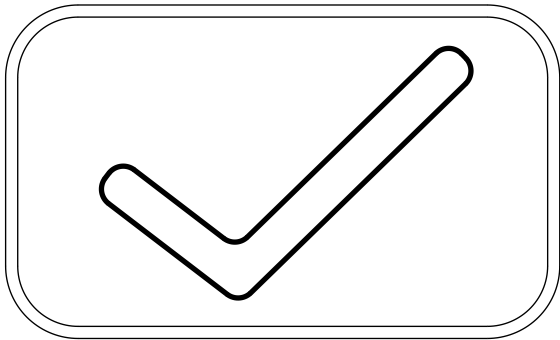
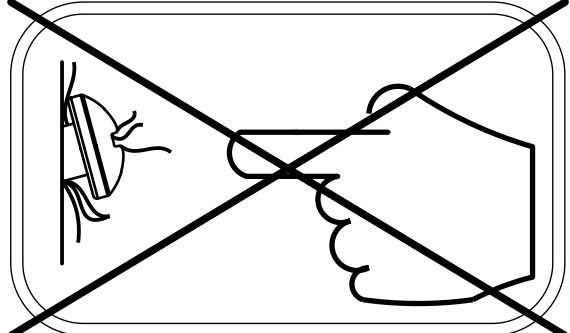
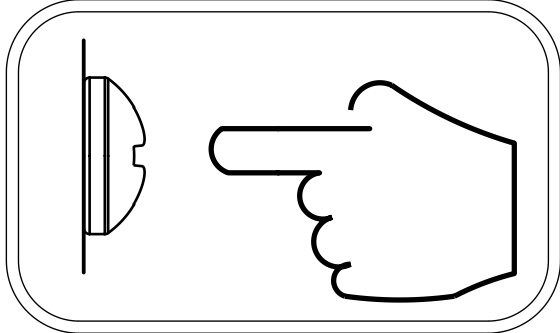
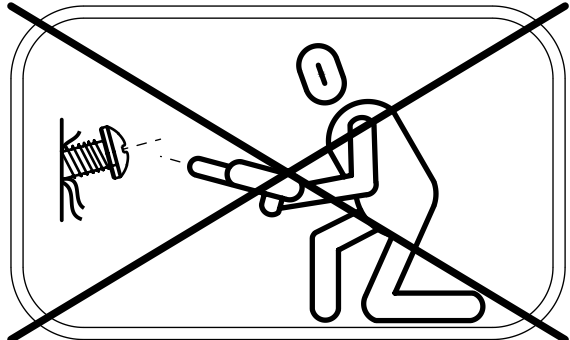
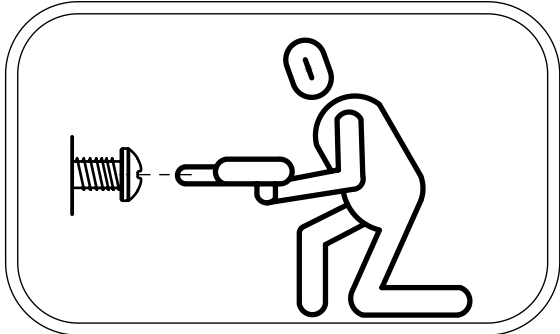


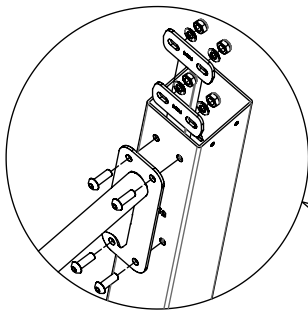
237111
x1



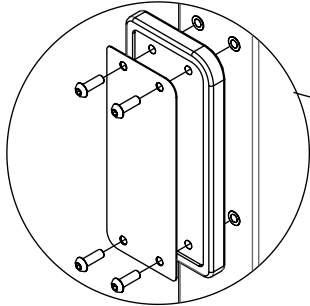
232106
x1

| ST/INOX | |
|---------|--------|
| 2x | 23e001 |
| 2x | 23e004 |
| 1x | 23e003 |
| 1x | 236107 |
| 2x | 996405 |



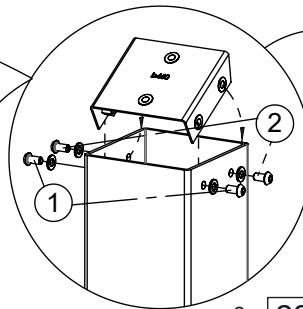
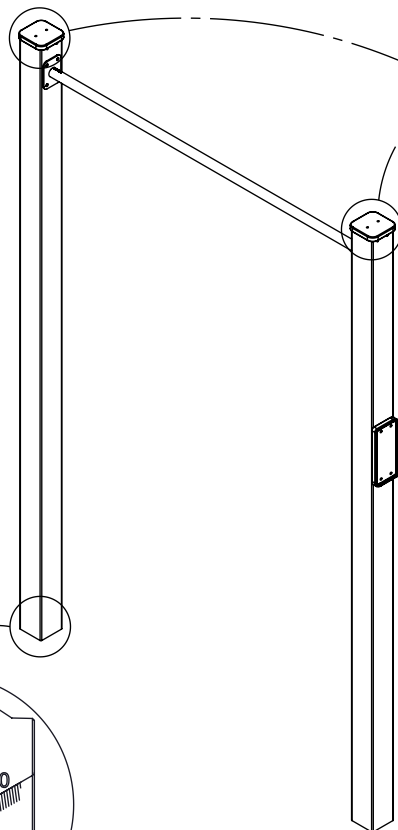
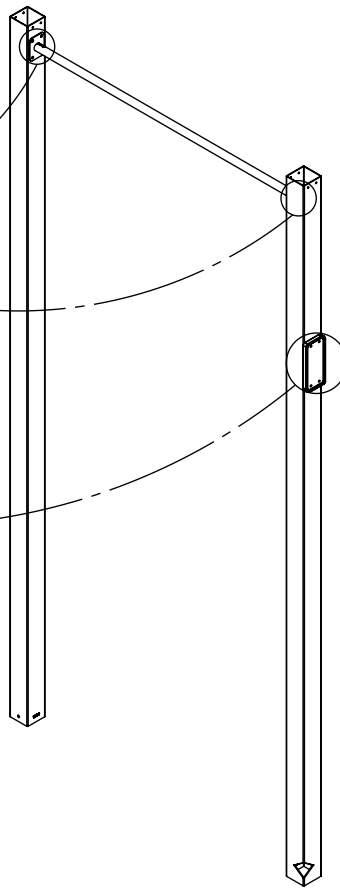


2x 23e004

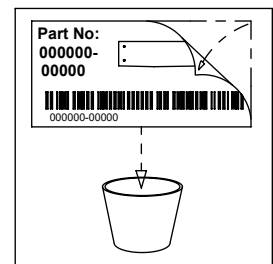
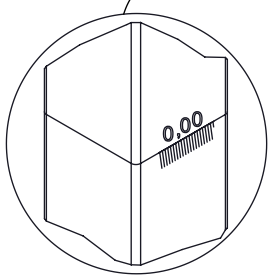
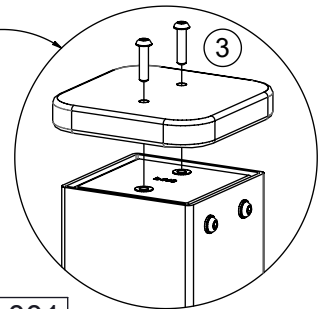


1x 23e003

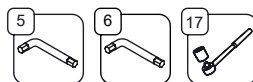
1x 236107



2x 23e001



[cm]



vinci play