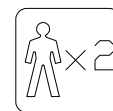


play  
Vinci

WD1422

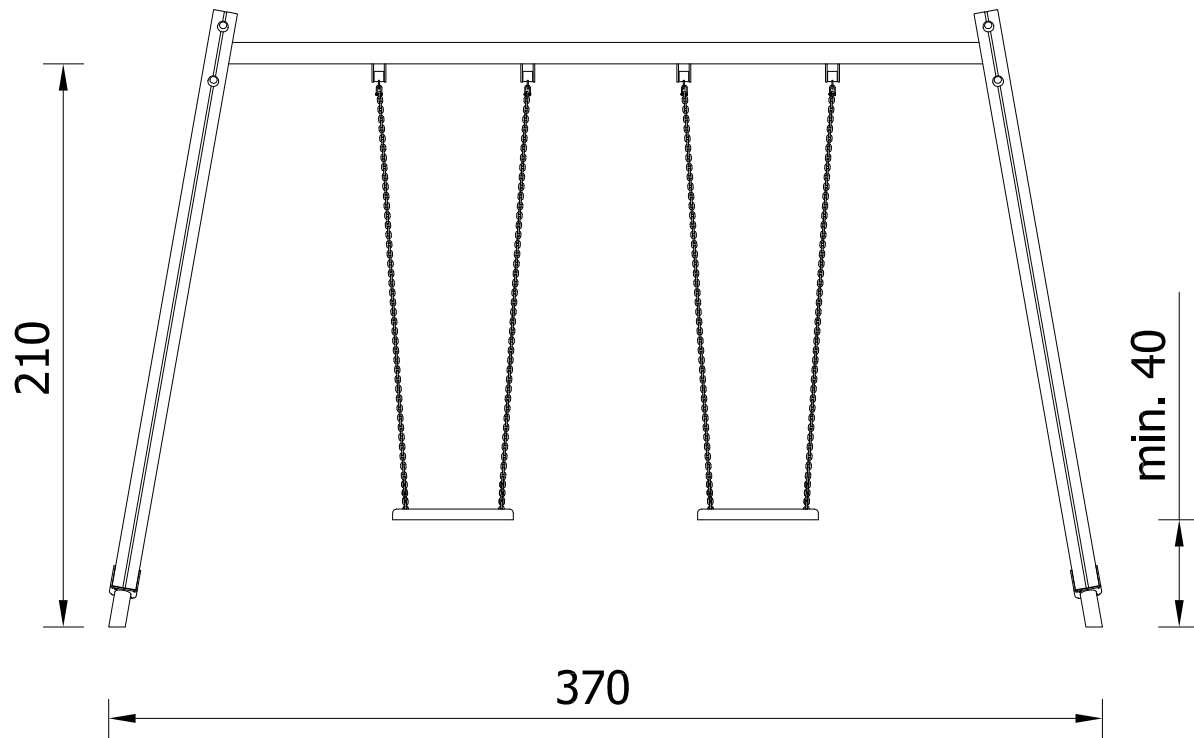
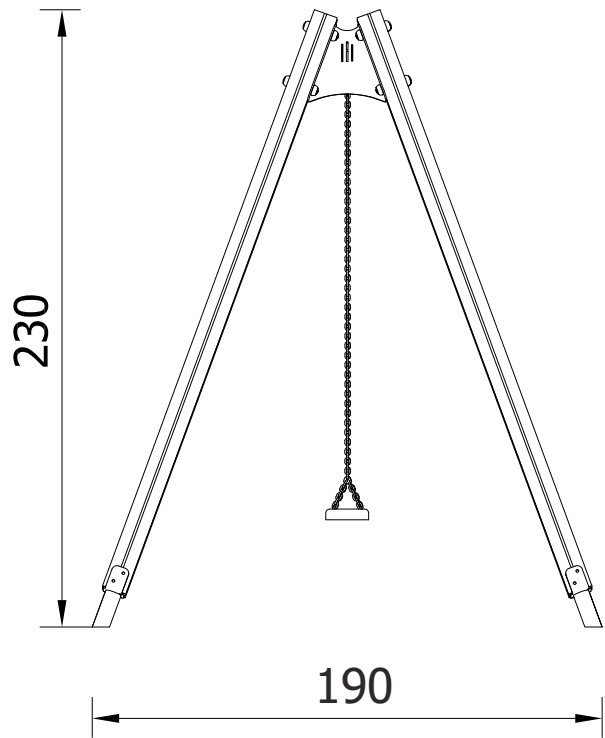


1/8 [cm]



play  
Vinci

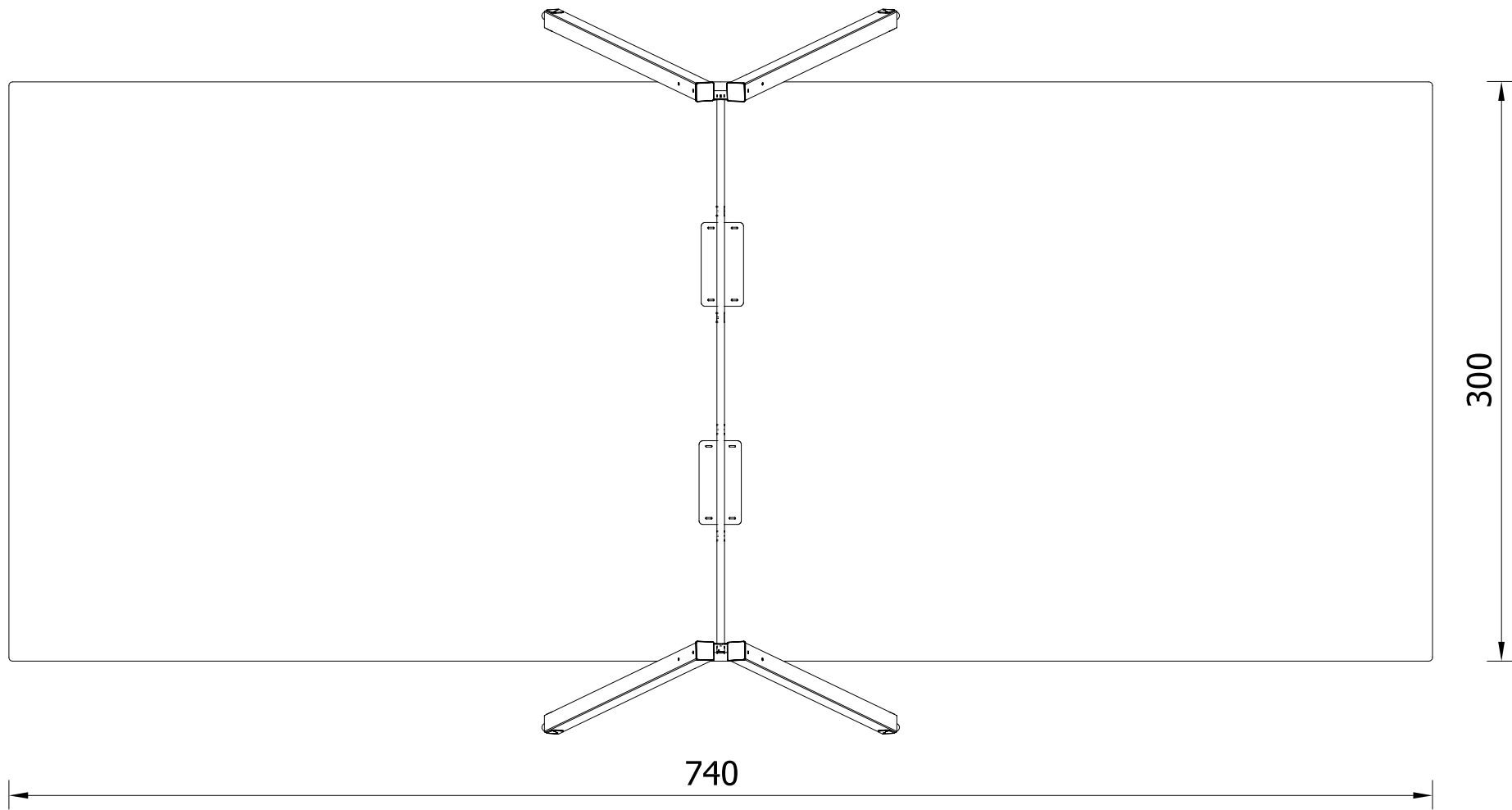
WD1422



2/8 [ cm ]

play  
Vinci

WD1422

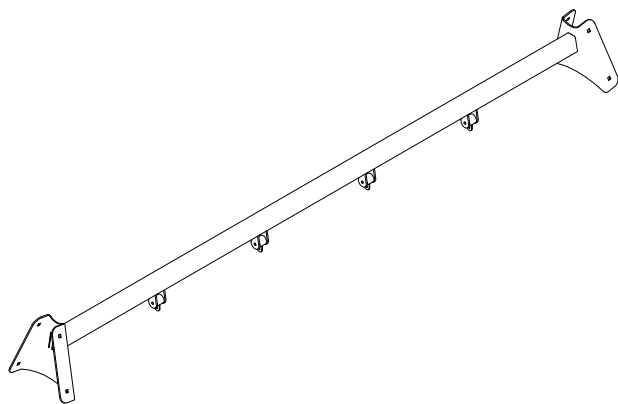


3/8 [ cm ]

play  
Vinci

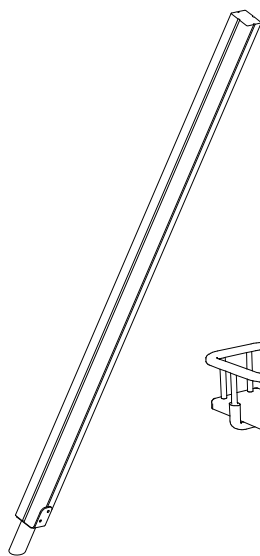
WD1422

1400000



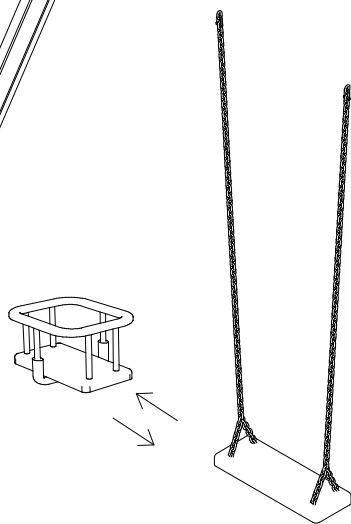
1417130

×1



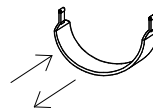
1412128

×4



1421100

×2



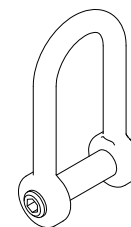
1420109

×8

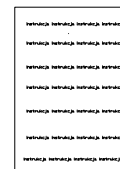


1420110

×4

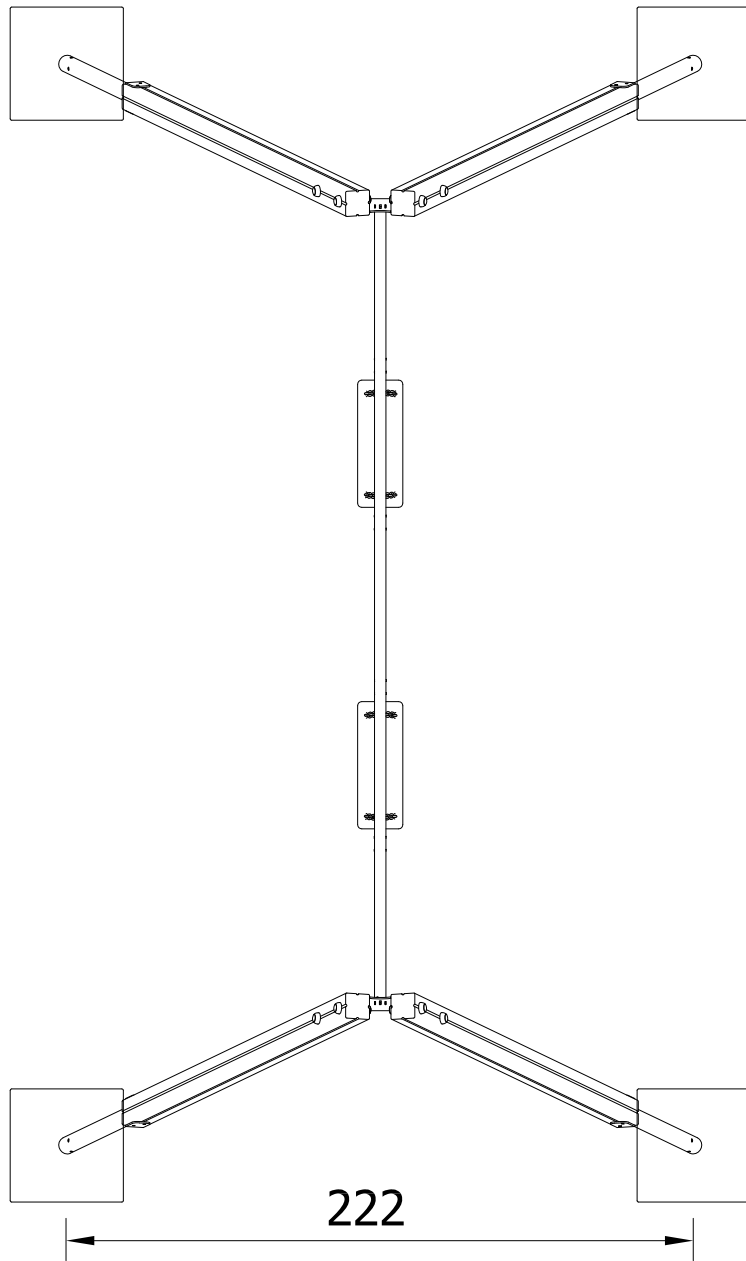


1411152

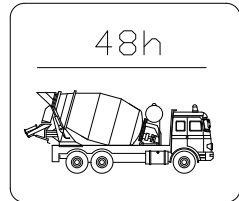
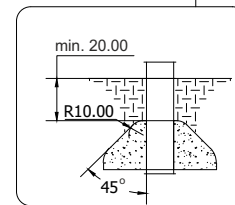
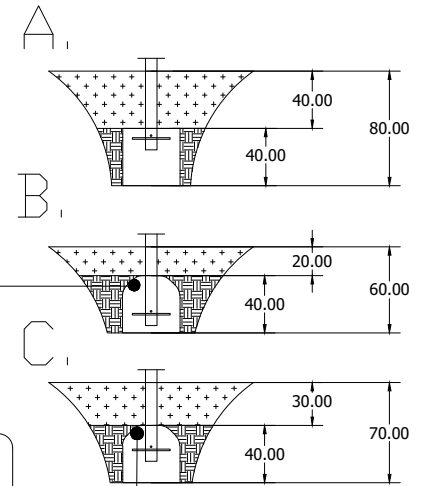


Vinci play

WD1422



5/8 [ cm ]



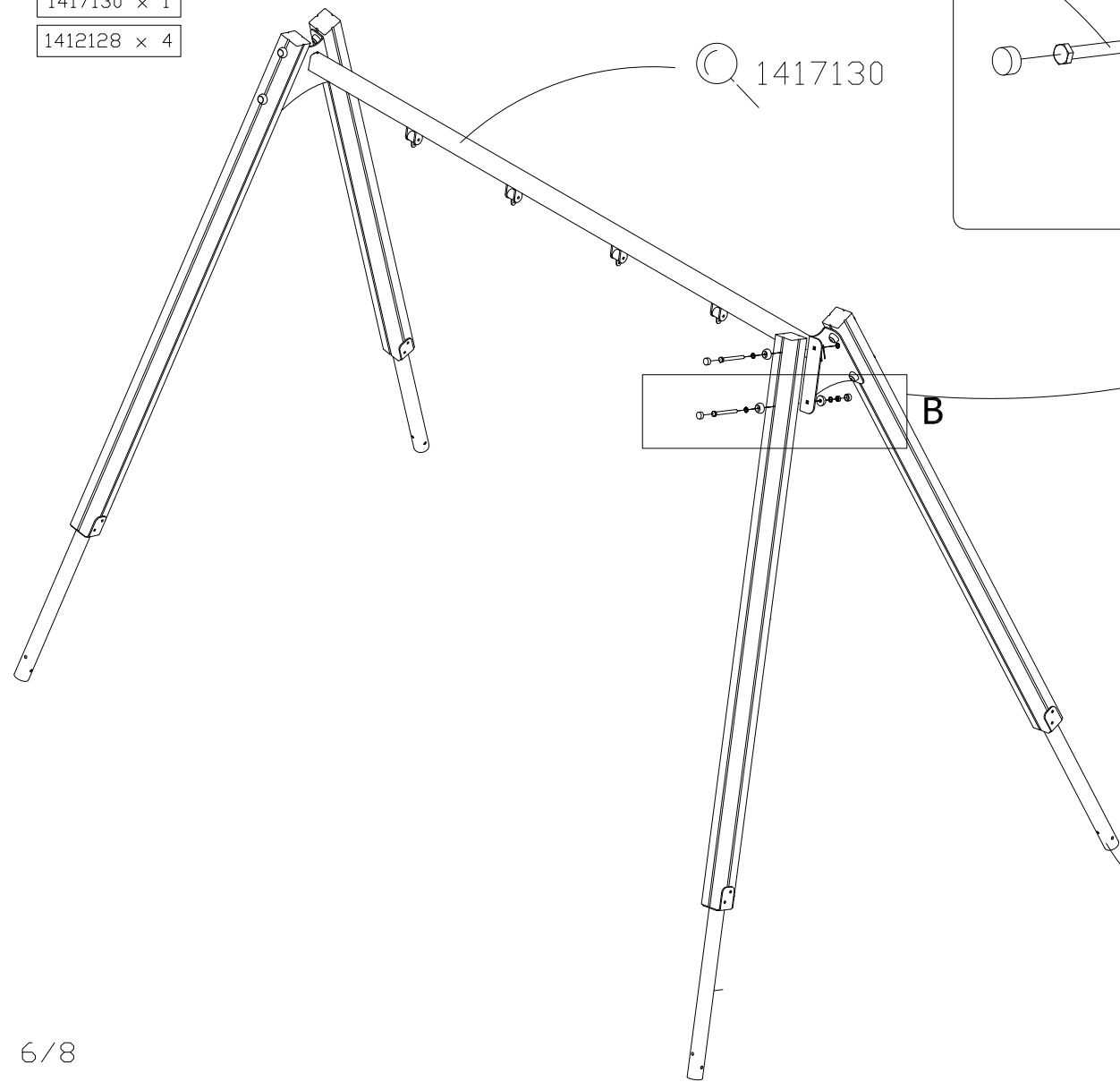
play  
Vinci

WD1422

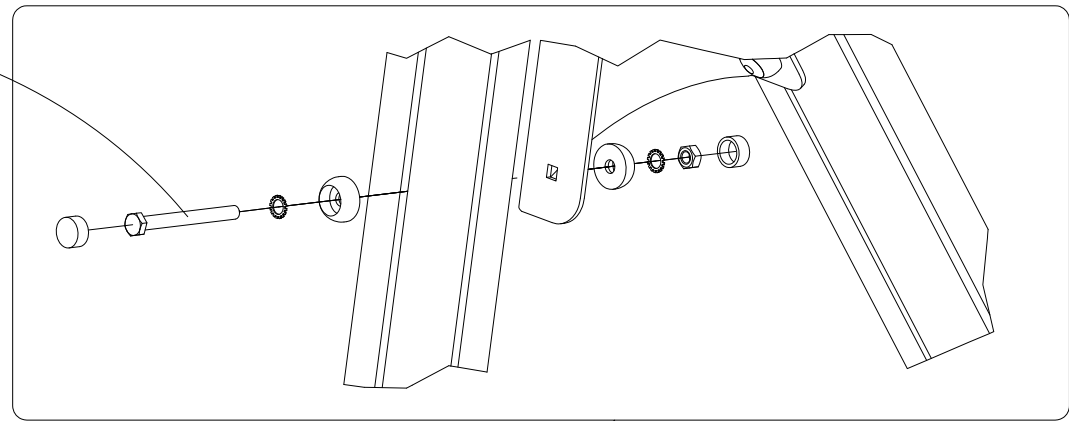
1420109 × 1

1417130 × 1

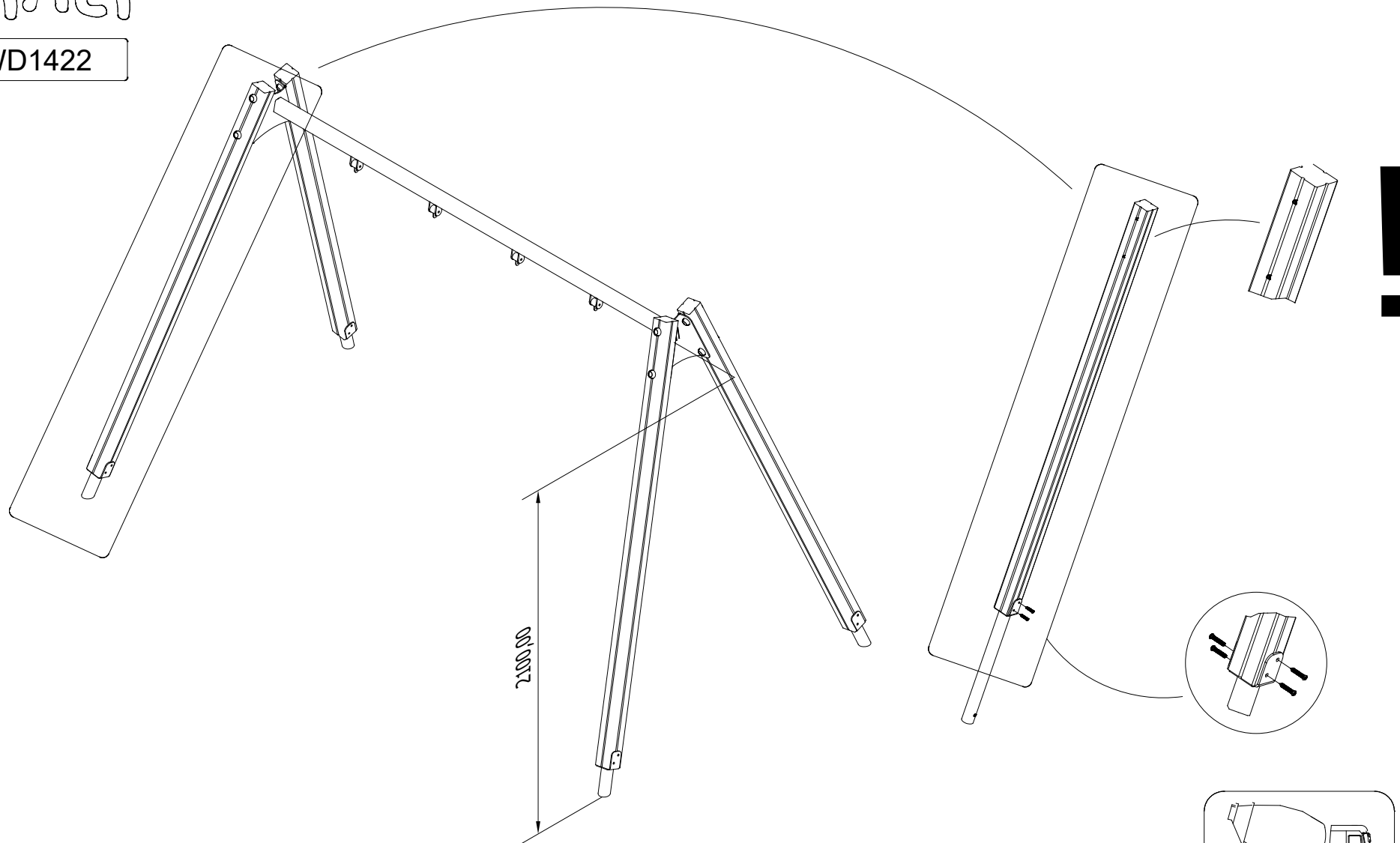
1412128 × 4



B ( 1 : 5 )



WD1422







I

X4 X4

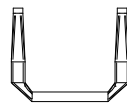
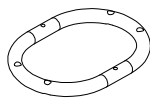
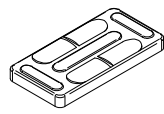
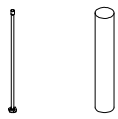
X1

X1

X1

X2

X2



A B

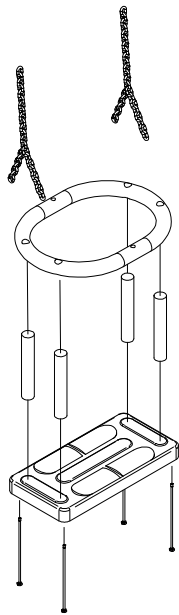
C

D

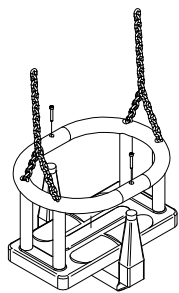
E

F

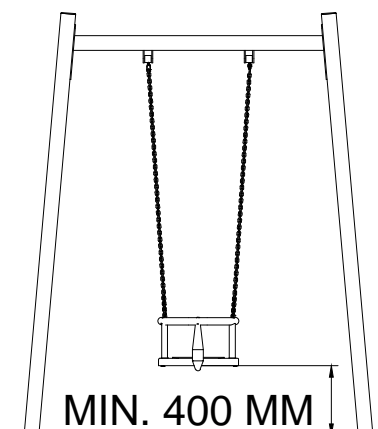
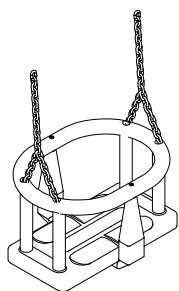
G



A + B + C + D + G

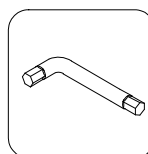
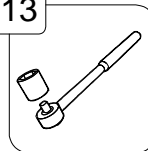


D + E + F

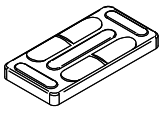

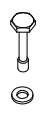
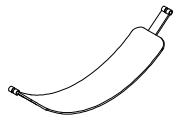




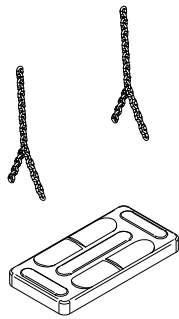
MIN. 400 MM

13

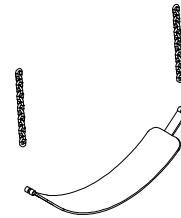
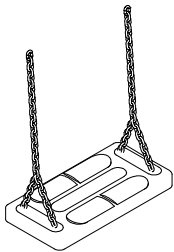


play  
Vinci

|   |  |  |   |  |  |
|---|--|--|---|--|--|
| <b>II</b><br><b>X1</b><br><br><b>A</b> | <b>X2</b><br><br><b>B</b> | <b>X4</b><br><br><b>C</b> | <b>III</b><br><b>X1</b><br><br><b>A</b> | <b>X2</b><br><br><b>B</b> | <b>X2</b><br><br><b>C</b> |
|---|--|--|---|--|--|



**A + B**



**A + B + C**

