



# ELEVATED INTEGRATION SANDBOX



**Integration** • Universal application • **Rehabilitation** • Self efficiency

**TERMA** Sp. z o.o. //  
Czaple 100 | 80-298 Gdańsk | T: +48 58 / 694 05 55 | F: +48 58 / 694 05 56 | [terma@termagroup.pl](mailto:terma@termagroup.pl) | [www.termagroup.pl](http://www.termagroup.pl) //  
NIP: 583-10-18-844 | REGON: 190558447 | nr rej. GIOŚ: E0001379W | Sąd Rej. w Gdańsku, VIII Wydz. Gosp. | KRS nr 0000069067 | kapitał zakładowy 2 360 500 PLN  
konto: ING Bank Śląski S.A. 88 1050 1764 1000 0023 0692 5997 //

MASZyny BUDOWLANE ///// PRODUKTY GRZEWCZE ///// PRODUKTY MEDYCZNE ///// USŁUGI PRZEMYSŁOWE



**Code:** WDPIA02

## **Purpose of the device:**

Integration sandbox is dedicated to be installed on the playgrounds, parks and private gardens to provide accessible space both, for wheelchair users and non-disabled users together in the same time.

## **Materials:**

Construction: black steel profiles with epoxy primer + powder coating

Side boards: HDPE 10 mm and 15 mm thick

Bottom of sandbox: steel plate 1,5 mm thick with epoxy primer + powder coating

Substructure: concrete minimum B-15 class

## **Dimensions:**

### **Device dimensions and parameters**

External dimensions of the elevated sandbox:	1360x1360x1080 [mm]
Internal dimensions of the elevated sandbox:	1148x1148x220 [mm]
Height from the ground of the elevated sandbox:	880 mm
Elevated sandbox weight (without foundation):	67 [kg]
Thickness of the HDPE:	10 [mm] sides and 15 [mm] seat
External circuit of the legs cross-section:	90 [mm]

### **Other dimensions:**

Free fall height: none

Safety area dimensions: 1500 mm from the each external edge of the device.

Substructure depth: 340 [mm]

Functional area: 30,26 m<sup>2</sup>

## **Safety note:**

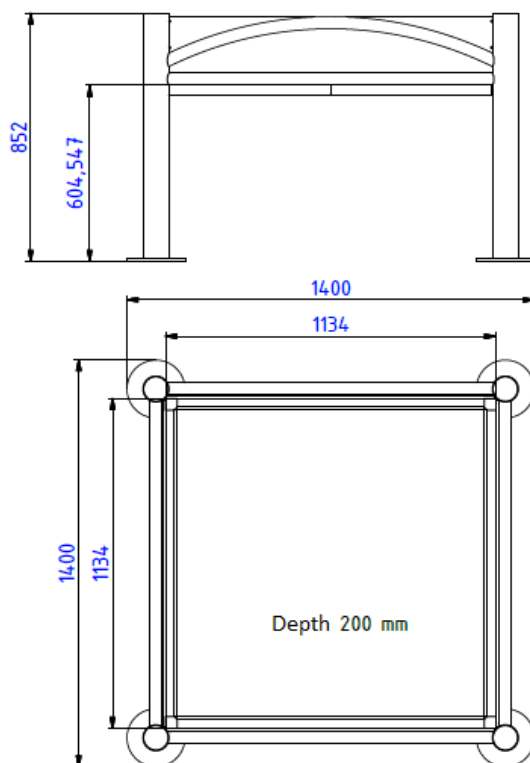
The elevated sandbox complies with EN 1176 norm.

## User allowed:

Non-disabled and wheelchair users together

Non-disabled users

Wheelchair users



*Fig. Dimensions of the elevated integration sandbox.*

## Safety note:

The elevated integration sandbox complies with EN 1176 norm.

Recommended setting of the sandboxed is presented on the drawing below. It's necessary to pay special attention to provide the space between the sandboxes to eliminate the risk of climbing and entering the bowl of the elevated sandbox by the users which can be a danger.



## Installation:

Anchoring to the ground. Amortization layer is needed. Homogeneous surface is necessary.

## Manufacturer:



**TERMA Sp. z o.o.**  
Czaple 100, 80-298 Gdańsk  
M: +48 / 609 900 451  
T: +48 58 / 694 06 02  
produktymedyczne@termagroup.pl  
[www.termamed.pl](http://www.termamed.pl)  
[www.facebook.com/termamed](https://www.facebook.com/termamed)