

**Product technical sheet****ROBINIA RB1293****3 - 14 years****4 kids****19,8 m²****Material specification**

- Construction made of Robinia - very durable acacia wood with a diameter of ~ 18 cm without sharp edges, resistant to weather conditions,
- Platforms made of Robinia - very durable acacia wood, resistant to weather conditions,
- Slides made of stainless steel,
- Stainless steel handrails,
- Stainless steel ladders,
- Handles made of steel rope in polypropylene braid,
- Screws covered with plastic caps and/or stainless steel screws,

**Physical development**

sliding



climbing

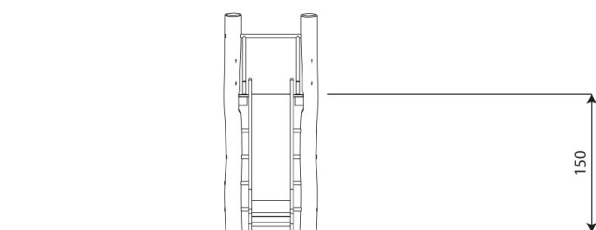
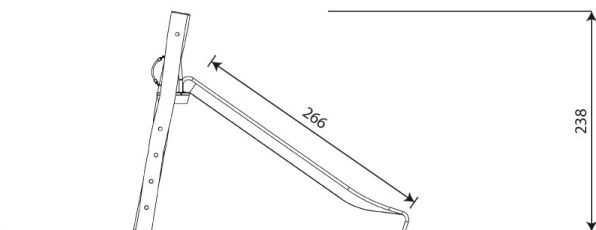
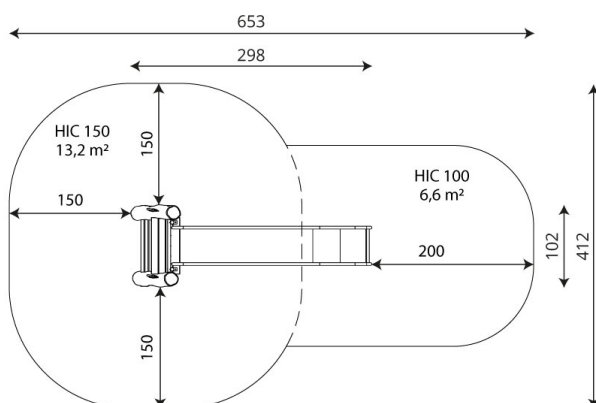




1
number of slides



1
number of activity elements



Product technical sheet

ROBINIA RB1293

Product data

| | |
|--------------------------------|--------------|
| Length | 298 cm |
| Width | 102 cm |
| Total height | 238 cm |
| Age group | 3 - 14 years |
| Number of users | 4 kids |
| Safety zone | 19,8 m2 |
| Free fall height | 150 cm |
| The height of the platforms | 150 cm |
| In accordance with norm EN | 1176-1:2017 |
| Weight of the heaviest part | 79 kg |
| Dimensions of the largest part | 340x18x18 cm |
| Availability of spare parts | YES |
| Installation time | 1,5 h |

Data is subject to change without prior notice.

Additional information

- equipment intended for public playgrounds;
- equipment has a certificate issued by an accredited entity or a declaration of conformity;
- no sharp edges or chinks that would pose a danger of jimmie the head, fingers or any other body parts;
- anchoring on flat surface, 80/70/60 cm deep;
- slide should not be installed southwards;
- render is for reference only, the actual appearance of the equipment and its color may vary;

Guarantee

30

30 year guarantee - Structural strength of steel and stainless steel components

15

15 year guarantee - Structural failure of steel and stainless steel, for dynamic equipment

10

10 year guarantee - Structural failure of high density polyethylene and high pressure laminates components

5

5 year guarantee - Corrosion of stainless steel and hot dip galvanized and powder coated components; against bark beetles and rot in case of wooden structural elements

Detailed information in the guarantee card



Surfaces according to EN 1176-1:2017

| | Description (mm) | Layer thickness (cm) | Maximum fall heights (cm) |
|---------------------------------|------------------------------|----------------------|---------------------------|
| Turf/ top layer of soil (A,B,C) | - | - | ≤100 |
| bark (A,C) | Particle size from 20 to 80 | 30 | ≤200 |
| | | 40 | ≤300 |
| woodchips (A,C) | Particle size from 5 to 30 | 30 | ≤200 |
| | | 40 | ≤300 |
| sand or gravel (A,C) | Particle size from 0,25 to 8 | 30 | ≤200 |
| | | 40 | ≤300 |
| synthetic attested (A,B,C) | Tested according to EN 1177 | | 150 |

Product technical sheet

ROBINIA RB1293

Amount of safe surface corresponding with free fall height:

HIC 100 6,6 m²

HIC 150 13,2 m²

Data is subject to change without prior notice.

