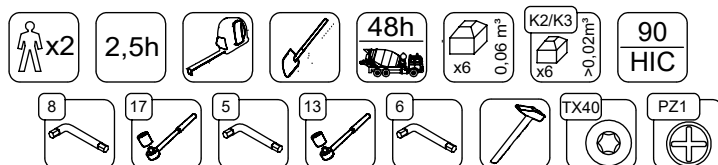
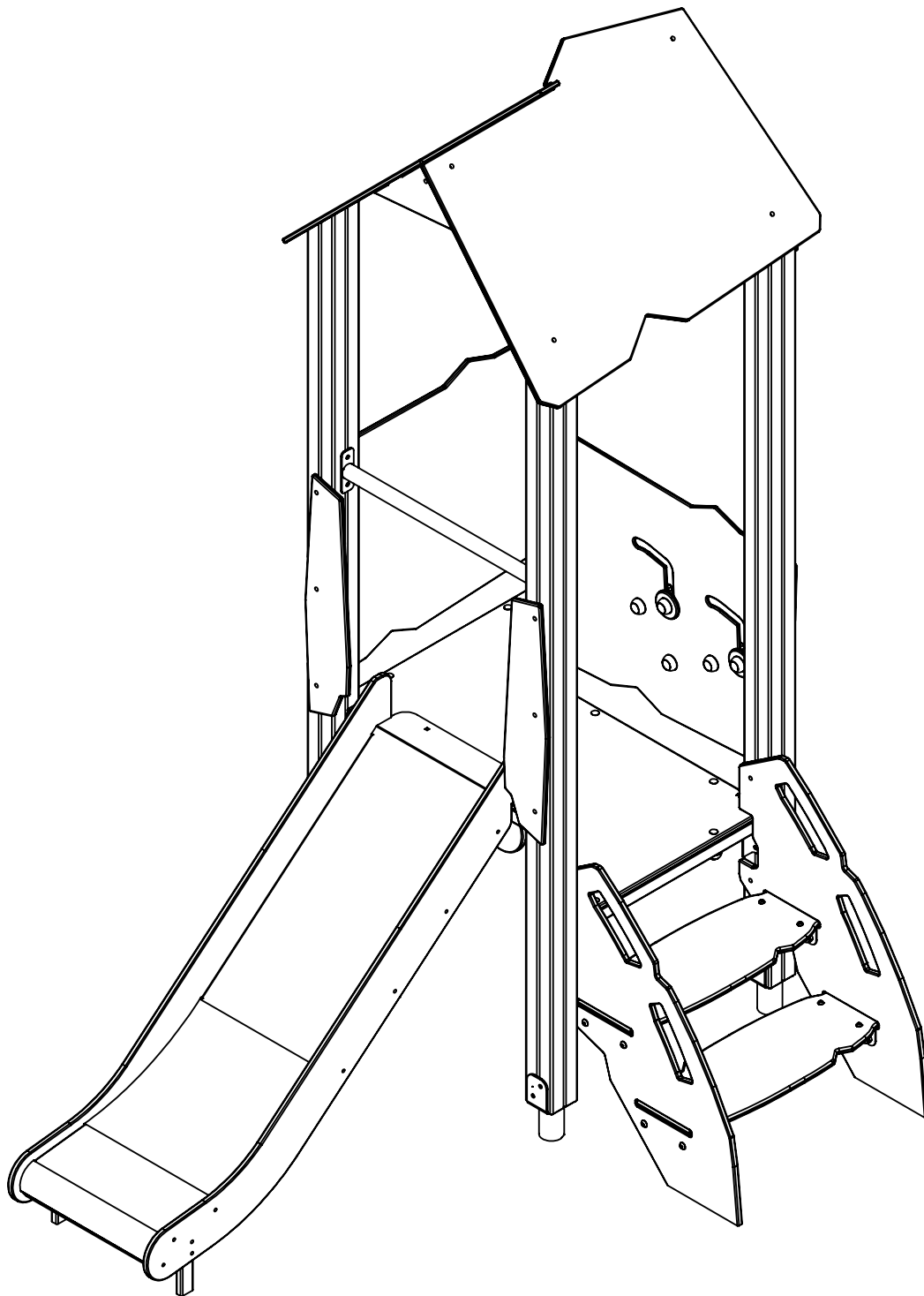
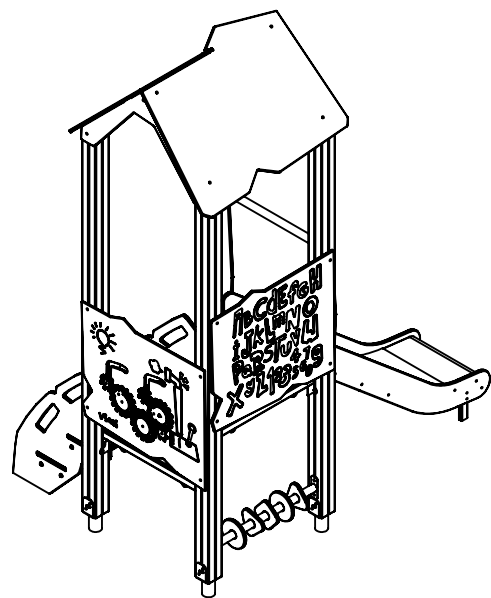
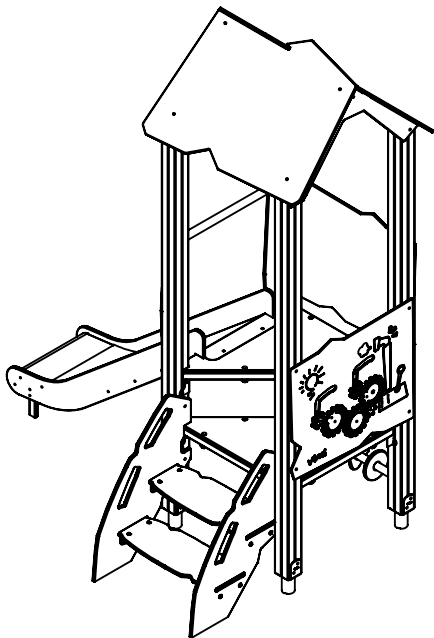
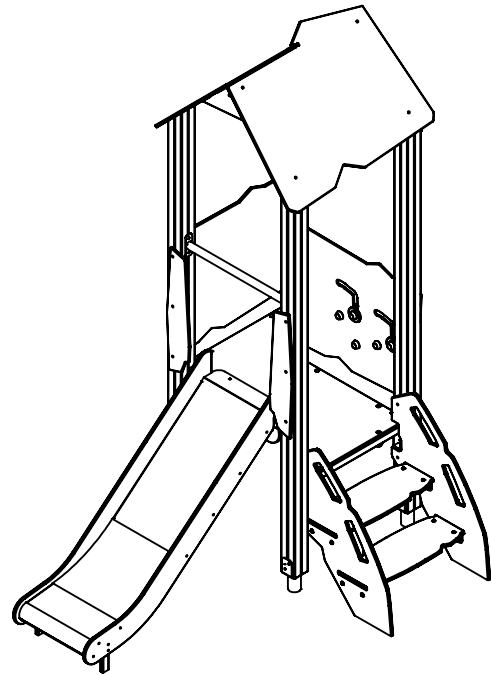
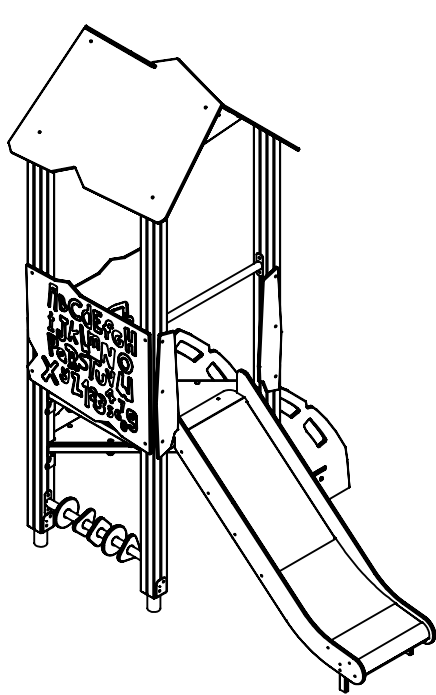


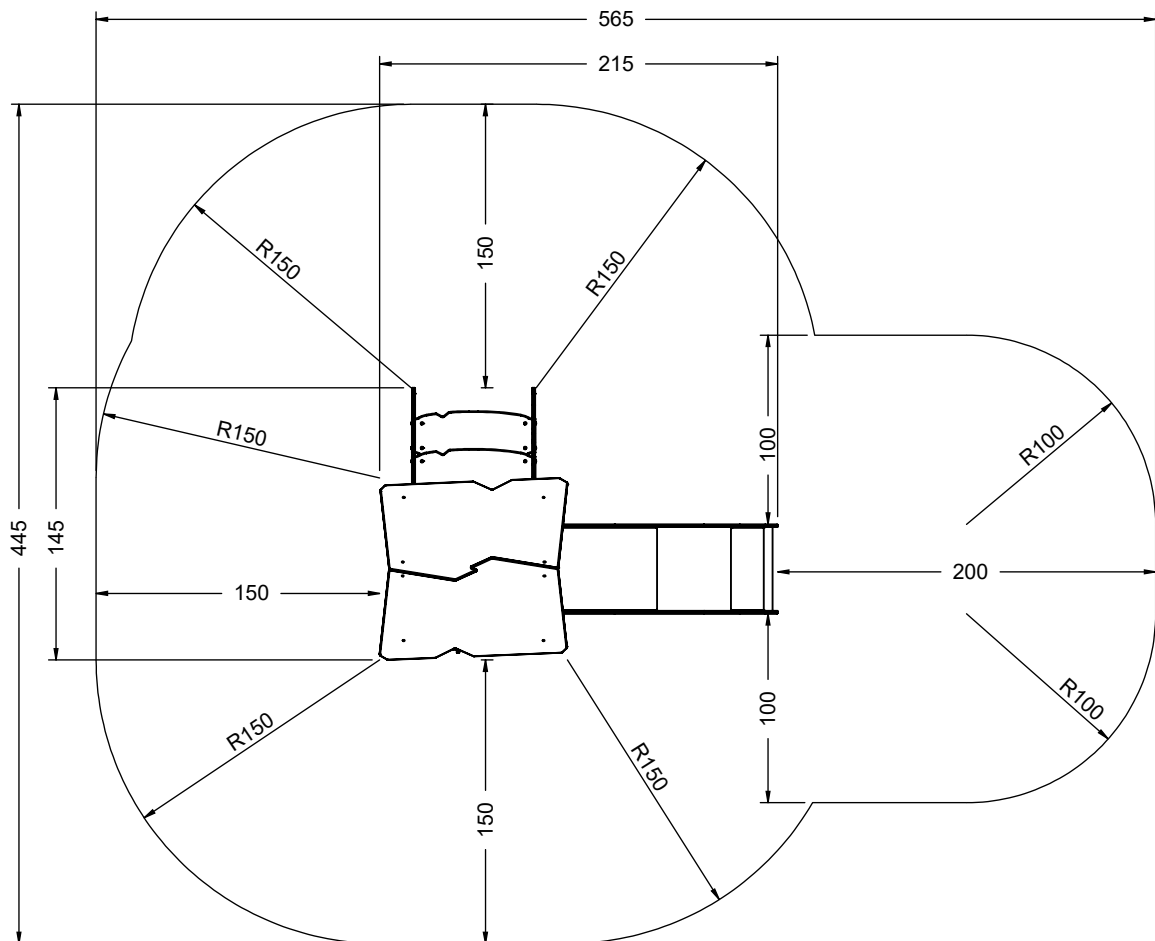
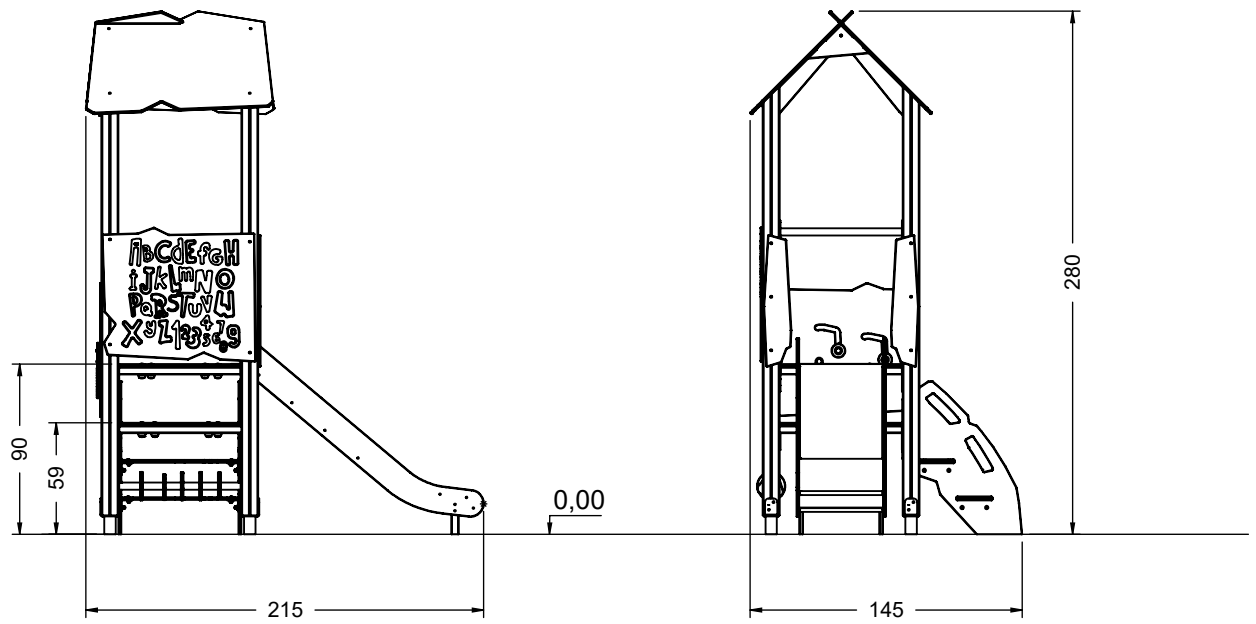
# WD1434



v012  
04.11.2021  
D. P.  
[cm]

vinci  
play

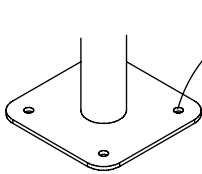
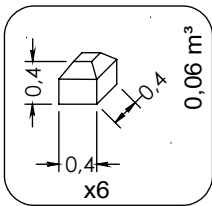
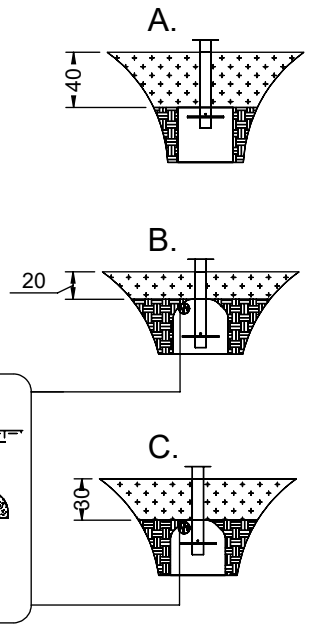
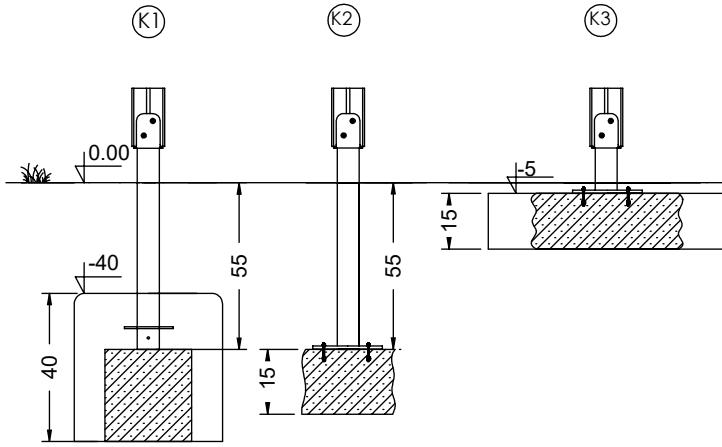




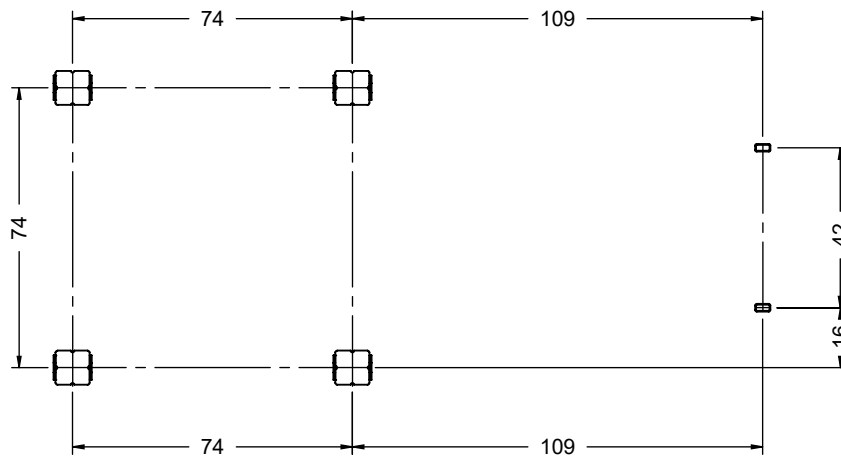
[cm]



vinci  
play



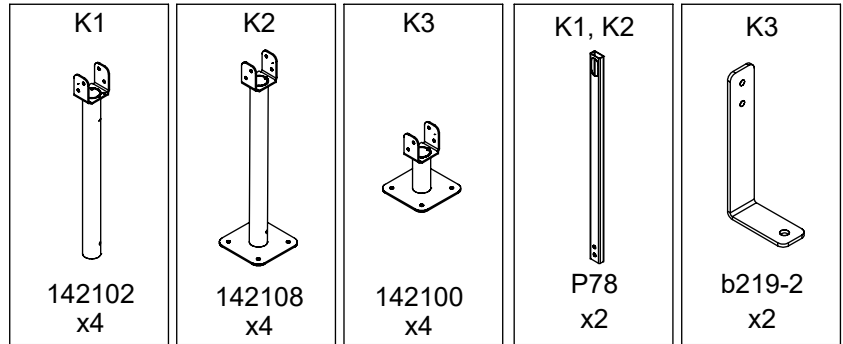
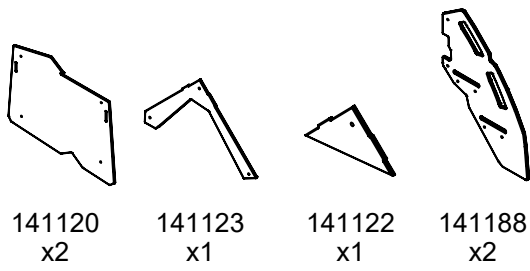
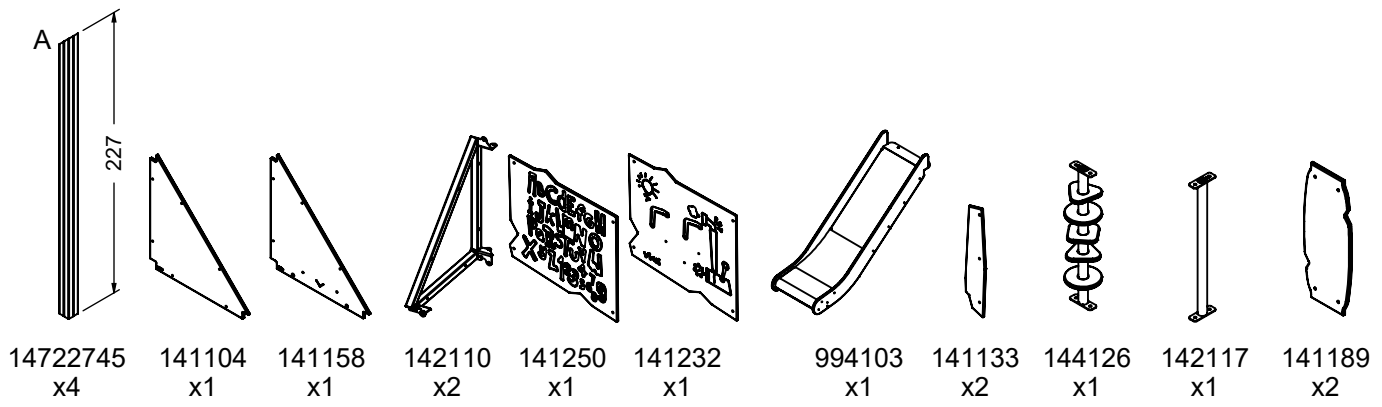
<p>16x M10x120 (K2) 18x M10x120 (K3)</p> <p><b>NOT INCLUDED</b> </p>	<p>2x M8x120 (K2)</p> <p><b>NOT INCLUDED</b> </p>
--	---



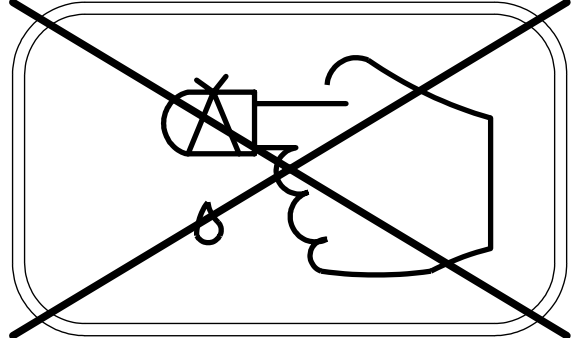
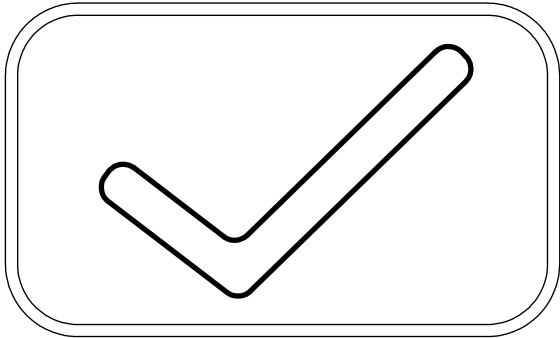
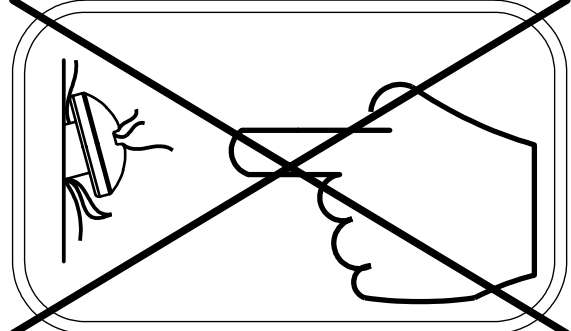
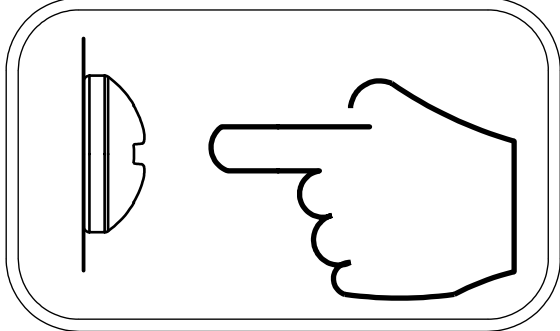
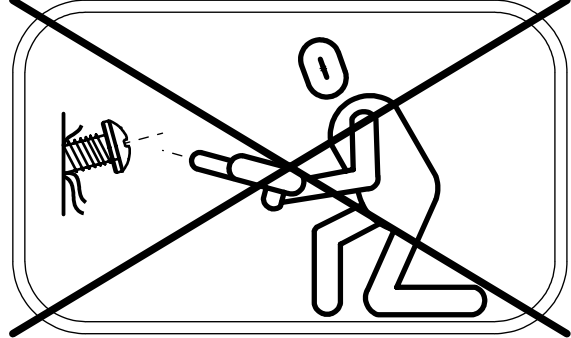
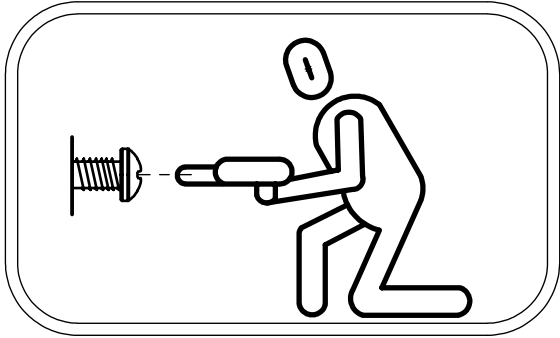
[cm]

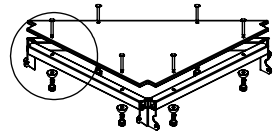
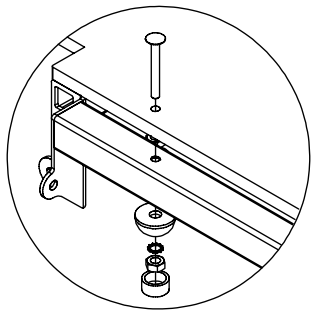


vinci play

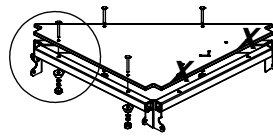


		PLYWOOD / HDPE		HPL	
62x	8x50 sxi	1x	WD33	1x	WD34
1x	E34 (K1,K3)	1x	WD19	1x	WD20
1x	1x E35 (K2)	1x	WD28 (S1)	1x	WD29 (S1)
1x	V001	1x	WD25	1x	WD26
		1x	WD72	1x	WD73
		1x	WD74	1x	WD75
		1x	WD113 (S6)	1x	WD114 (S6)

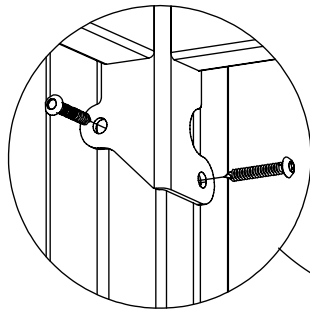




PLYWOOD HPL  
WD74 WD75

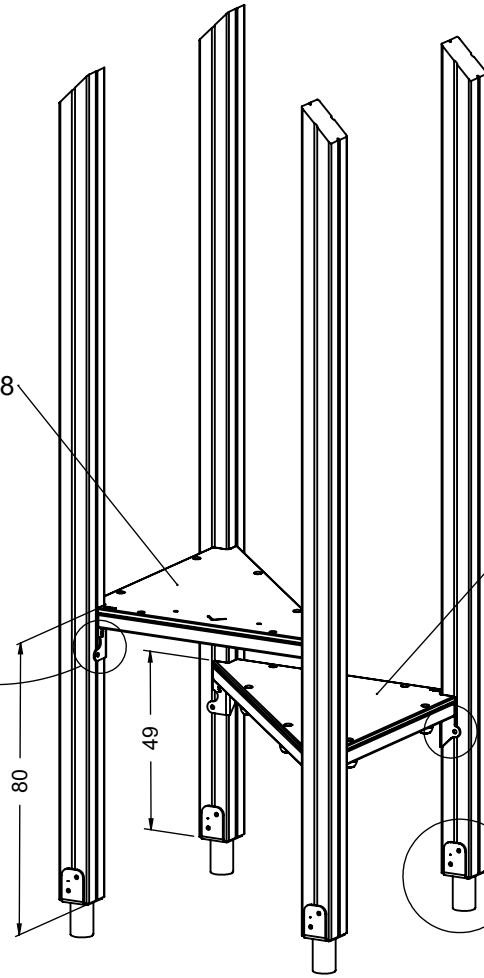


PLYWOOD HPL  
WD72 WD73

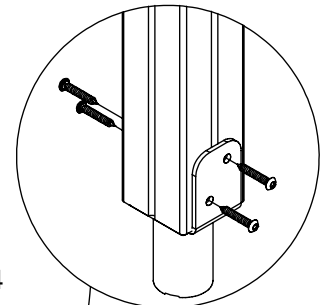


8x50 sxi

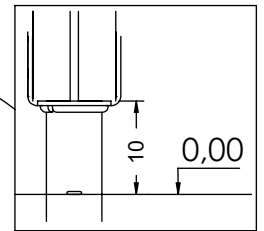
141158



141104



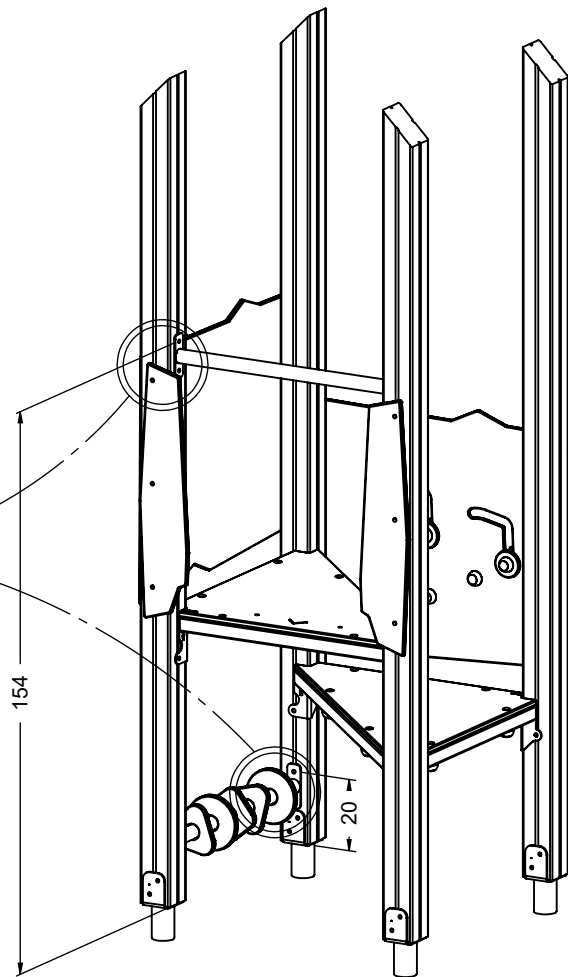
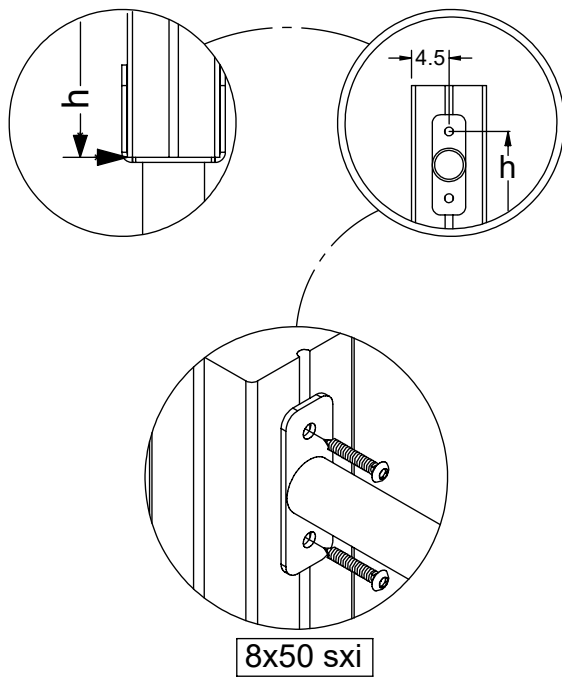
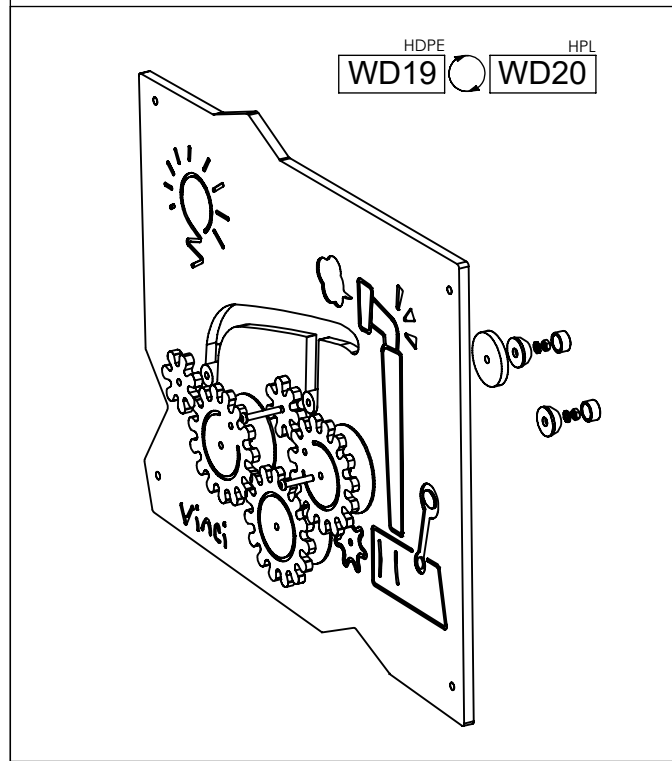
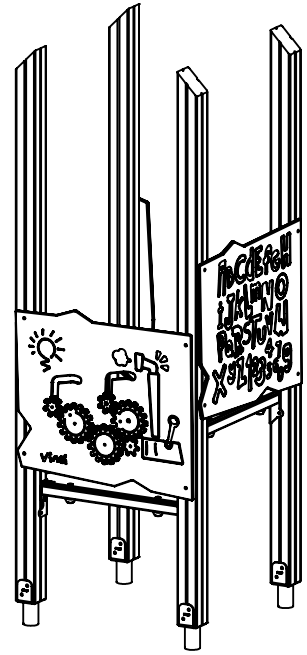
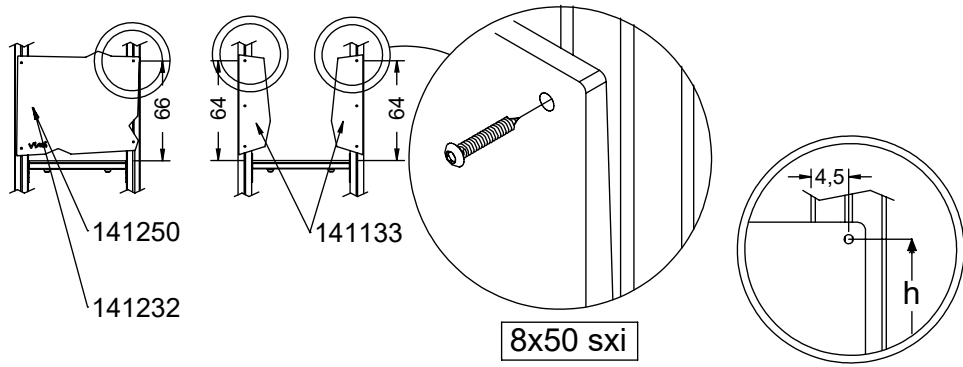
8x50 sxi



[cm]



vinci  
play



[cm]



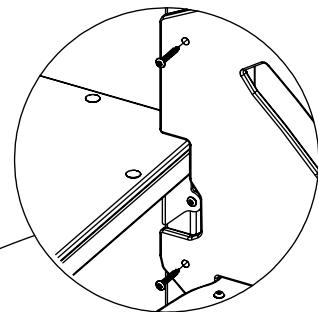
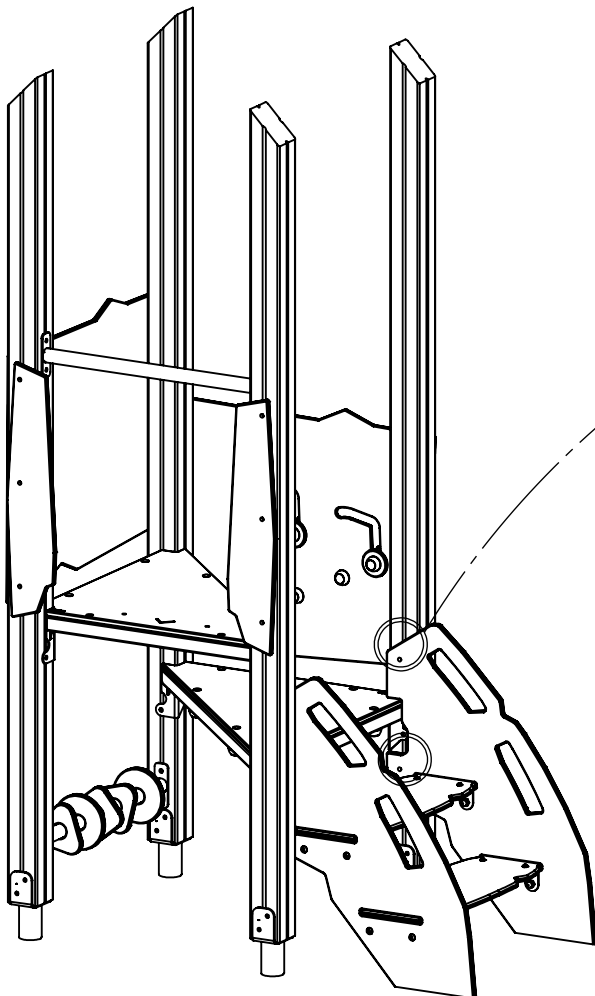
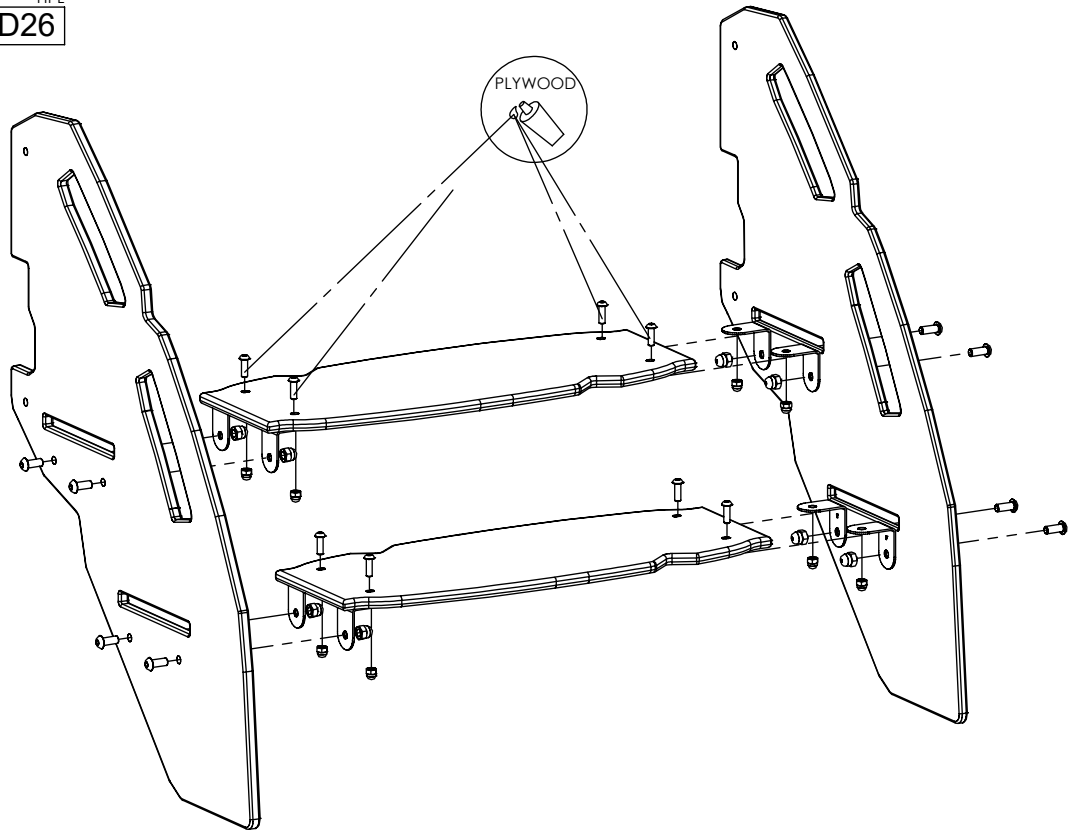
vinci  
play



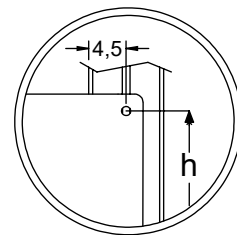
PLYWOOD  
WD25



HPL  
WD26

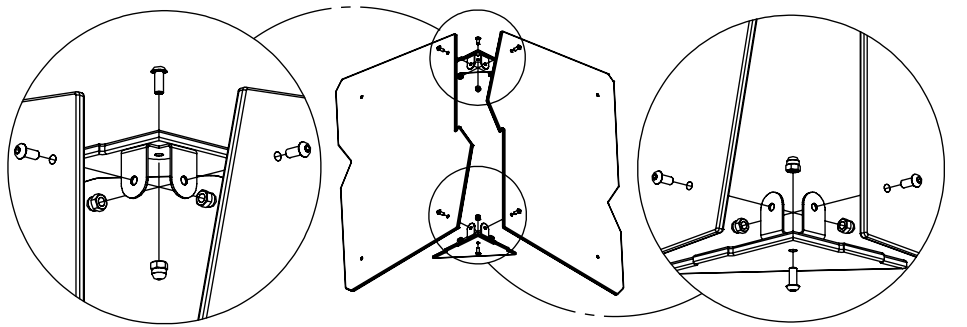


8x50 sxi



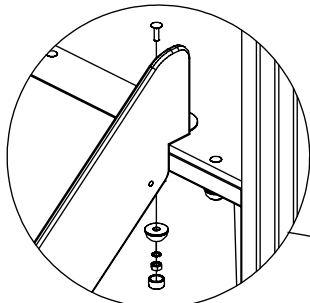
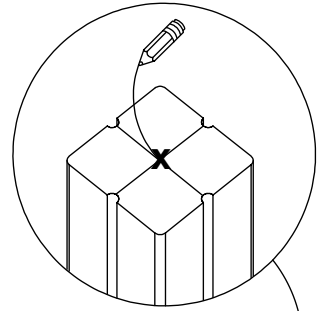
[cm]

vinci  
play



PLYWOOD  
WD33

HPL  
WD34

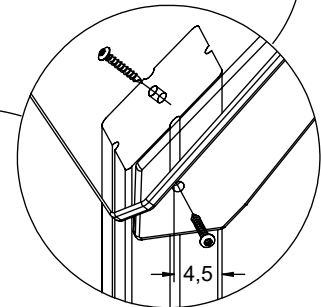
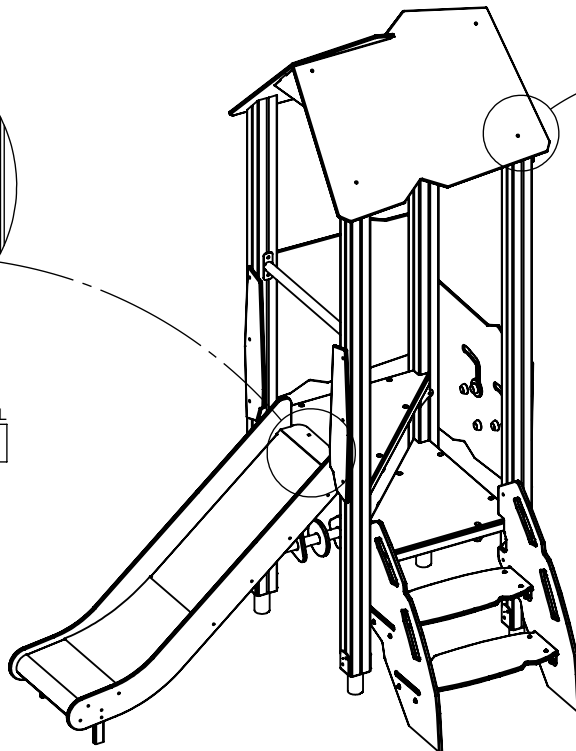


PLYWOOD  
WD28

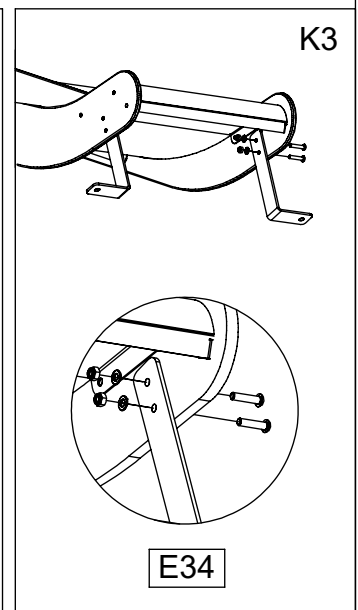
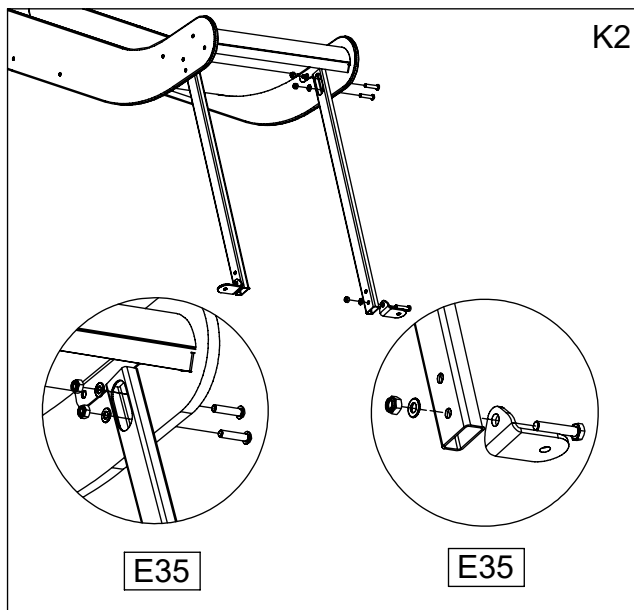
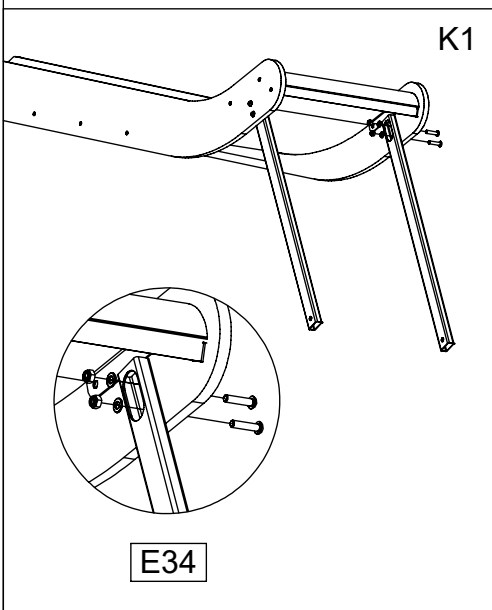
HPL  
WD29

PLYWOOD  
WD113

HPL  
WD114



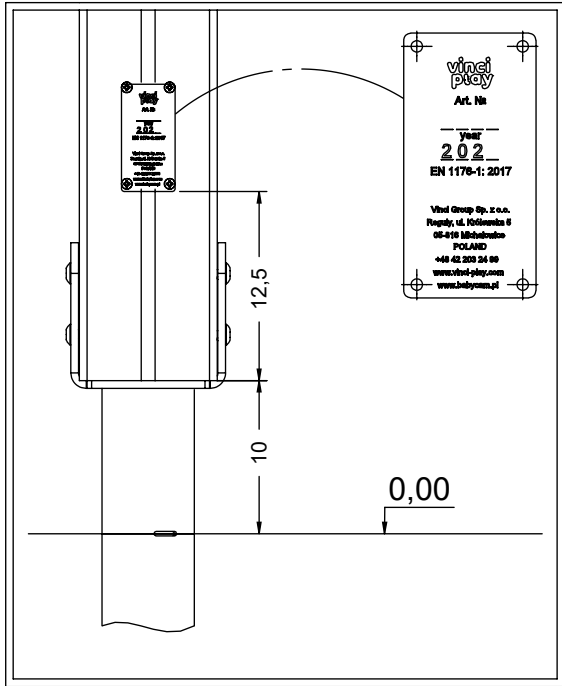
8x50 sxi



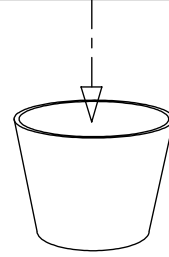
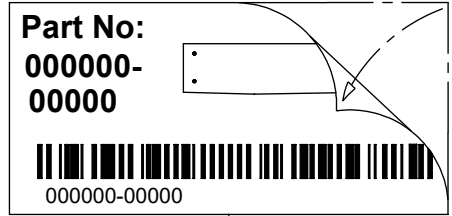
[cm]



vinci  
play



V001



[cm]



vinci  
play