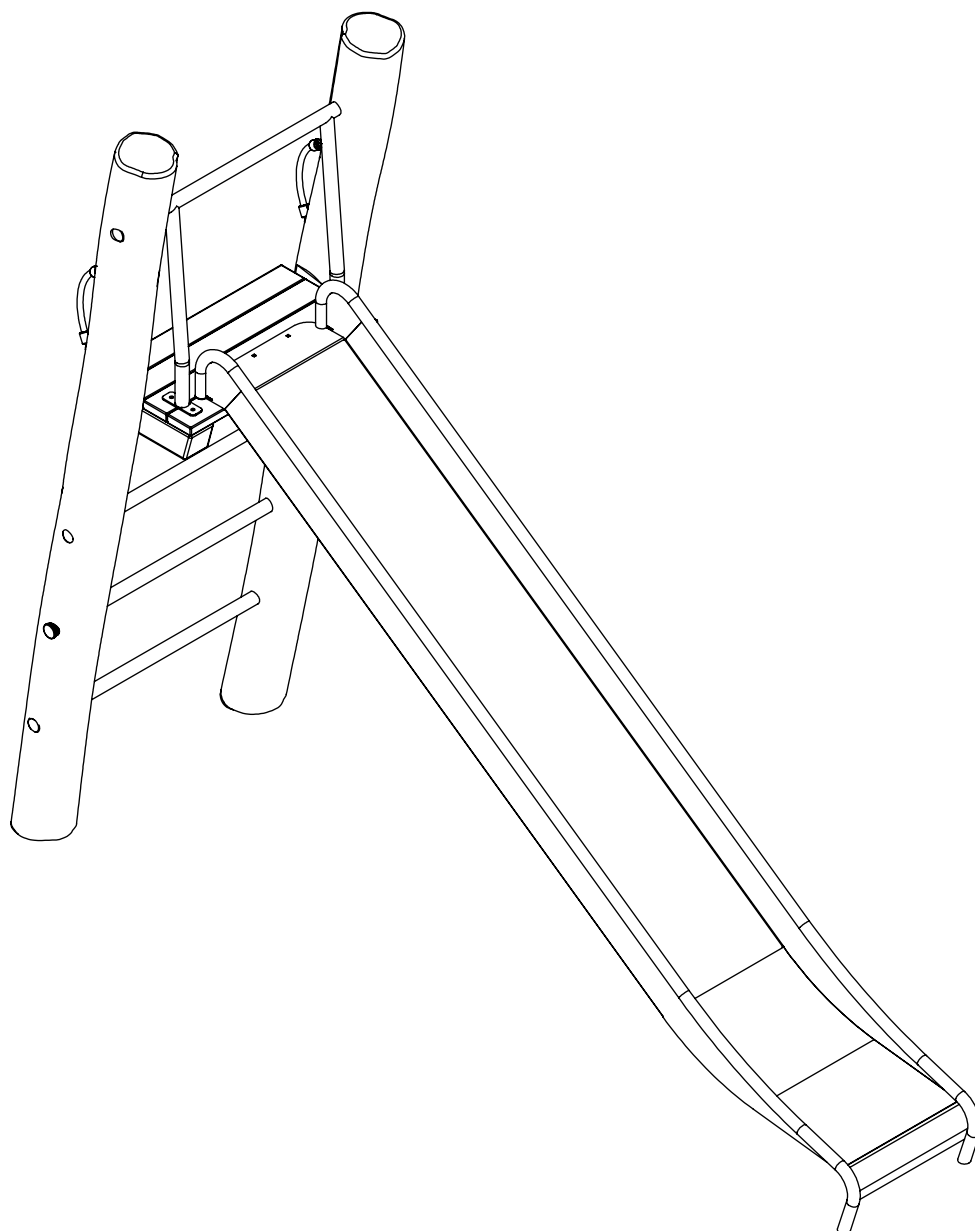
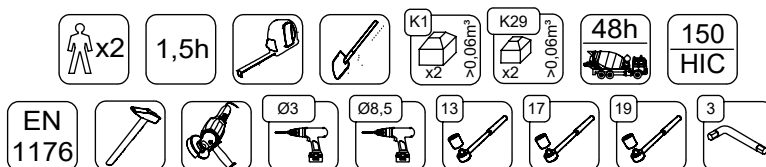


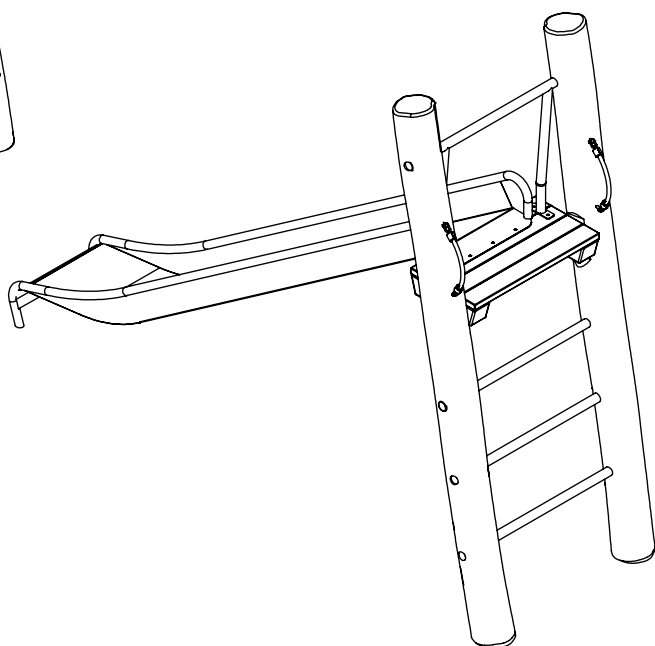
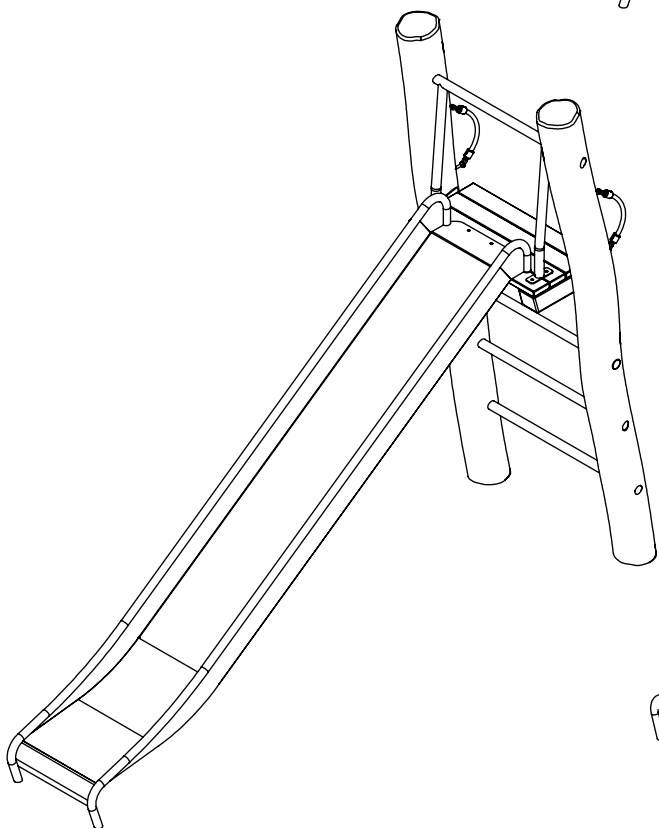
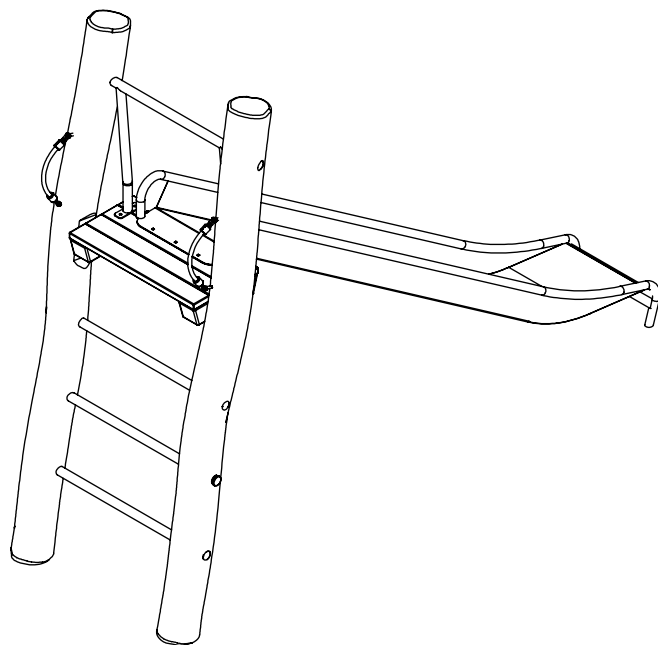
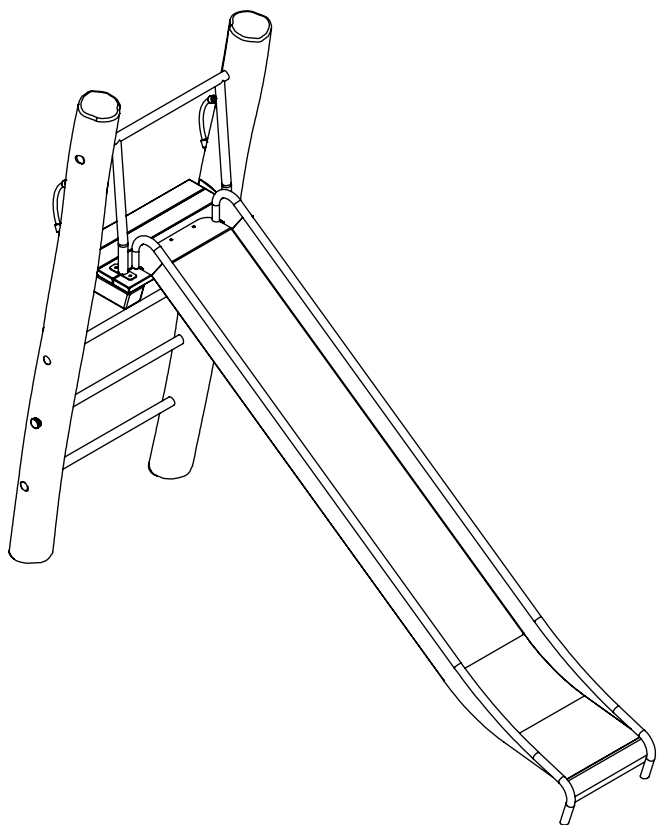
# RB1293



v011  
27.09.2021  
D. P.  
[cm]

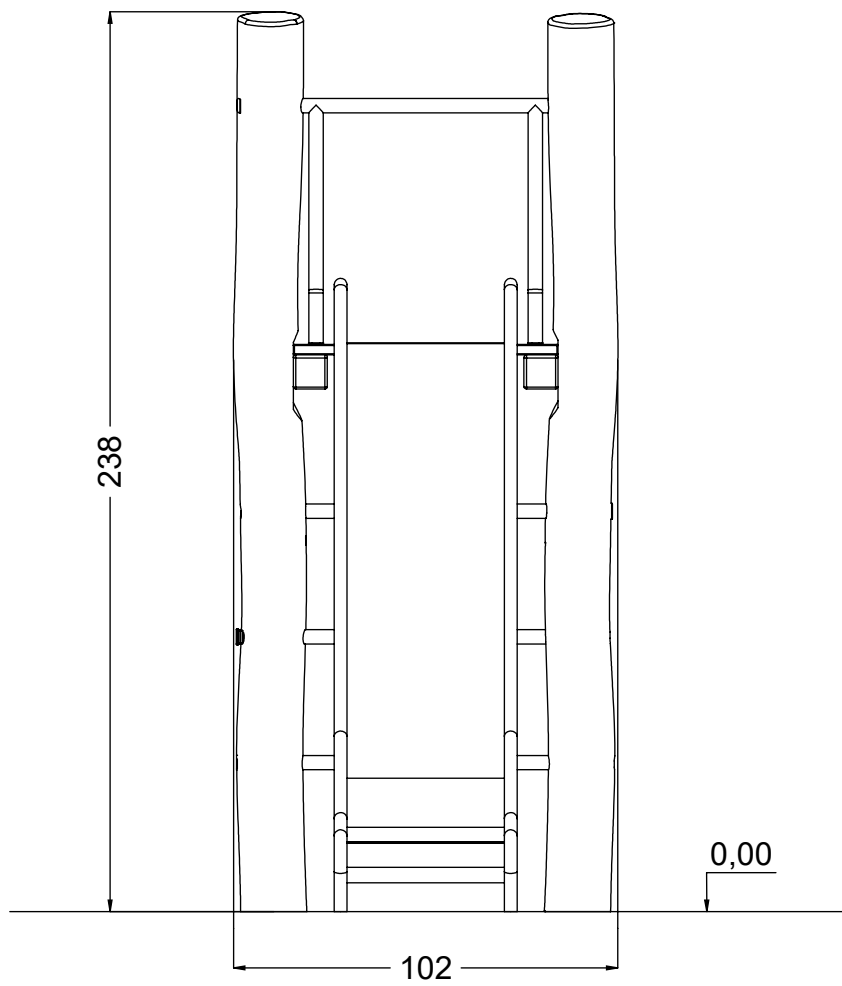
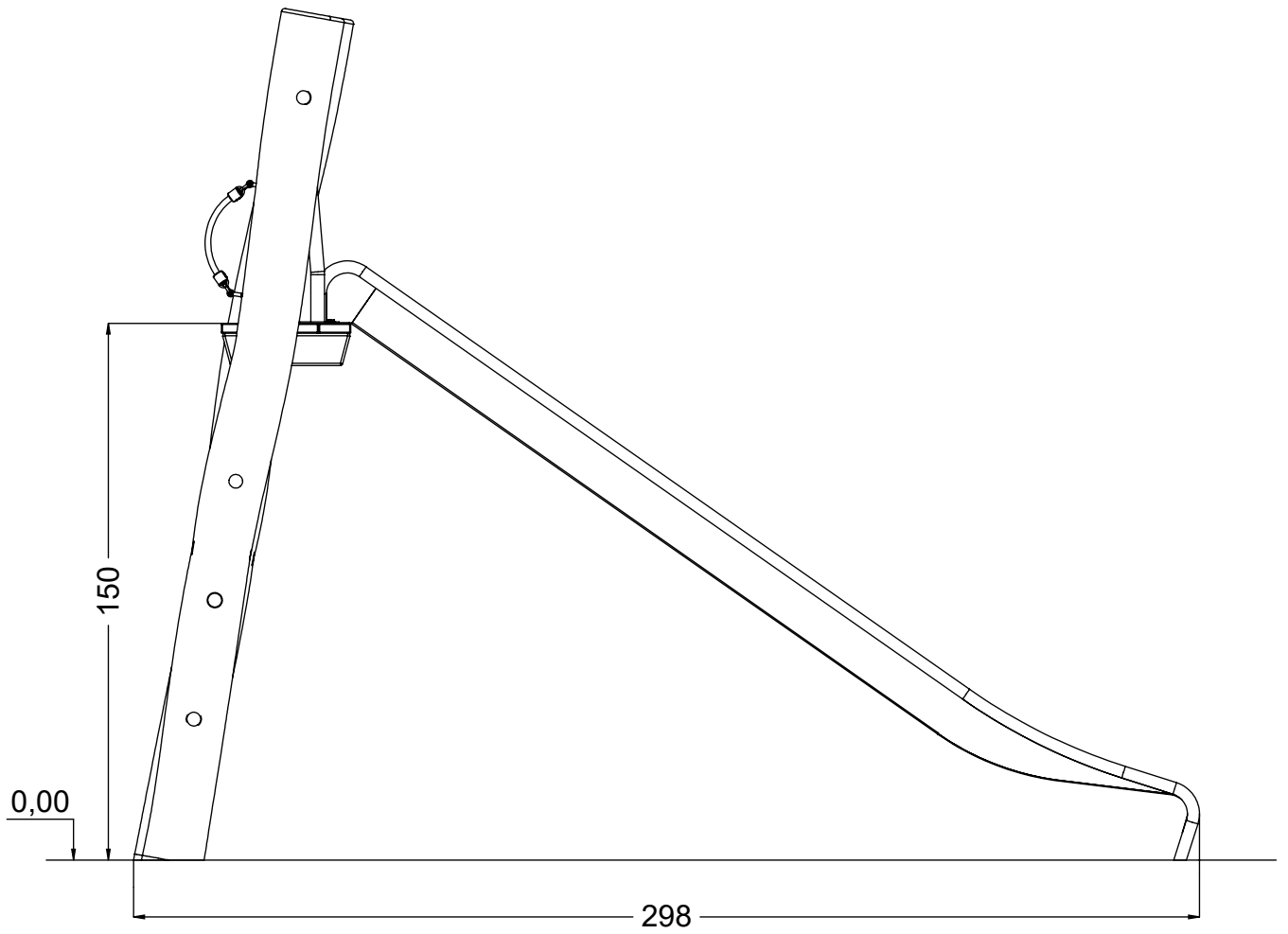


vinci  
play



[cm]

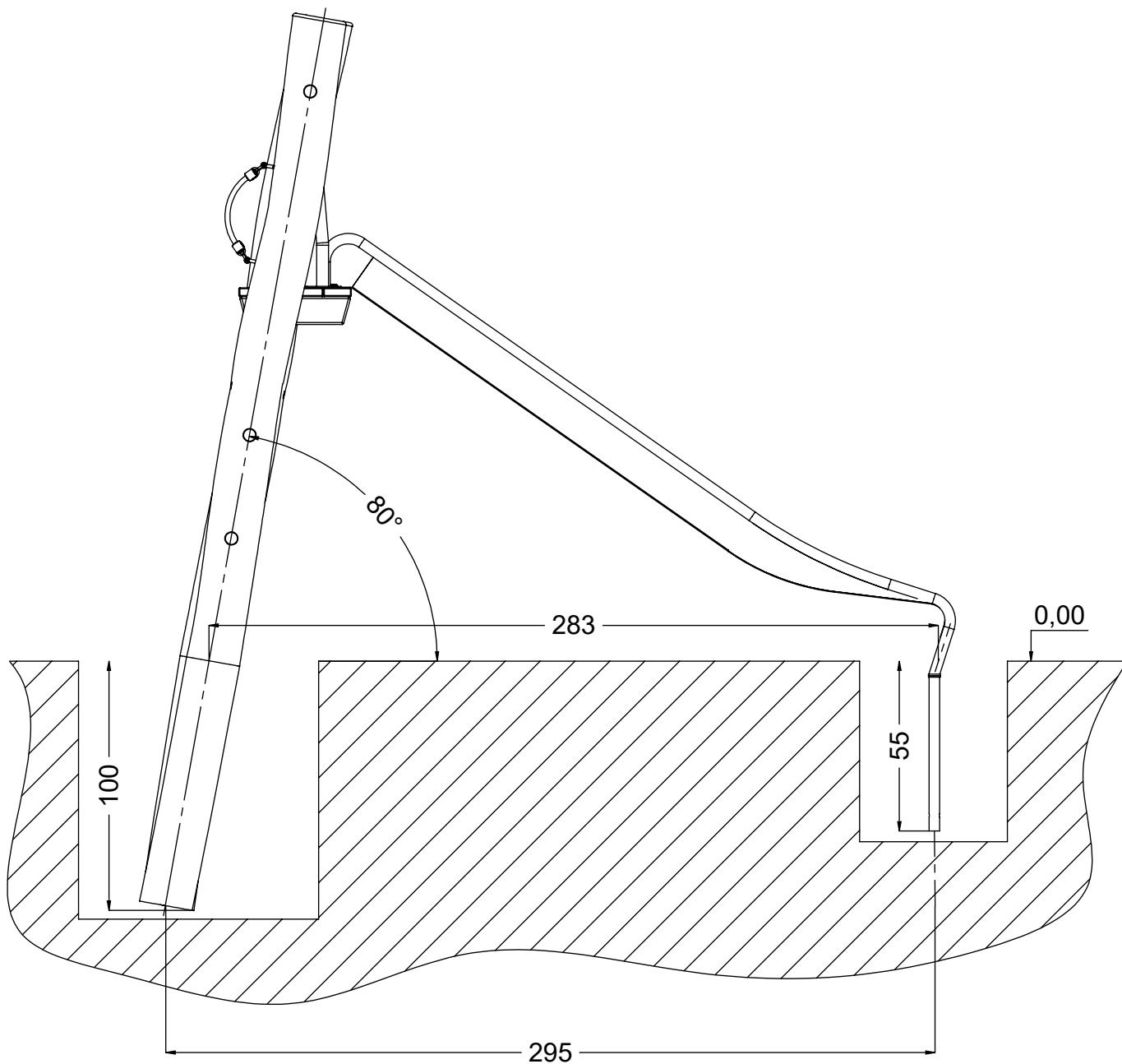
vinci  
play



[cm]



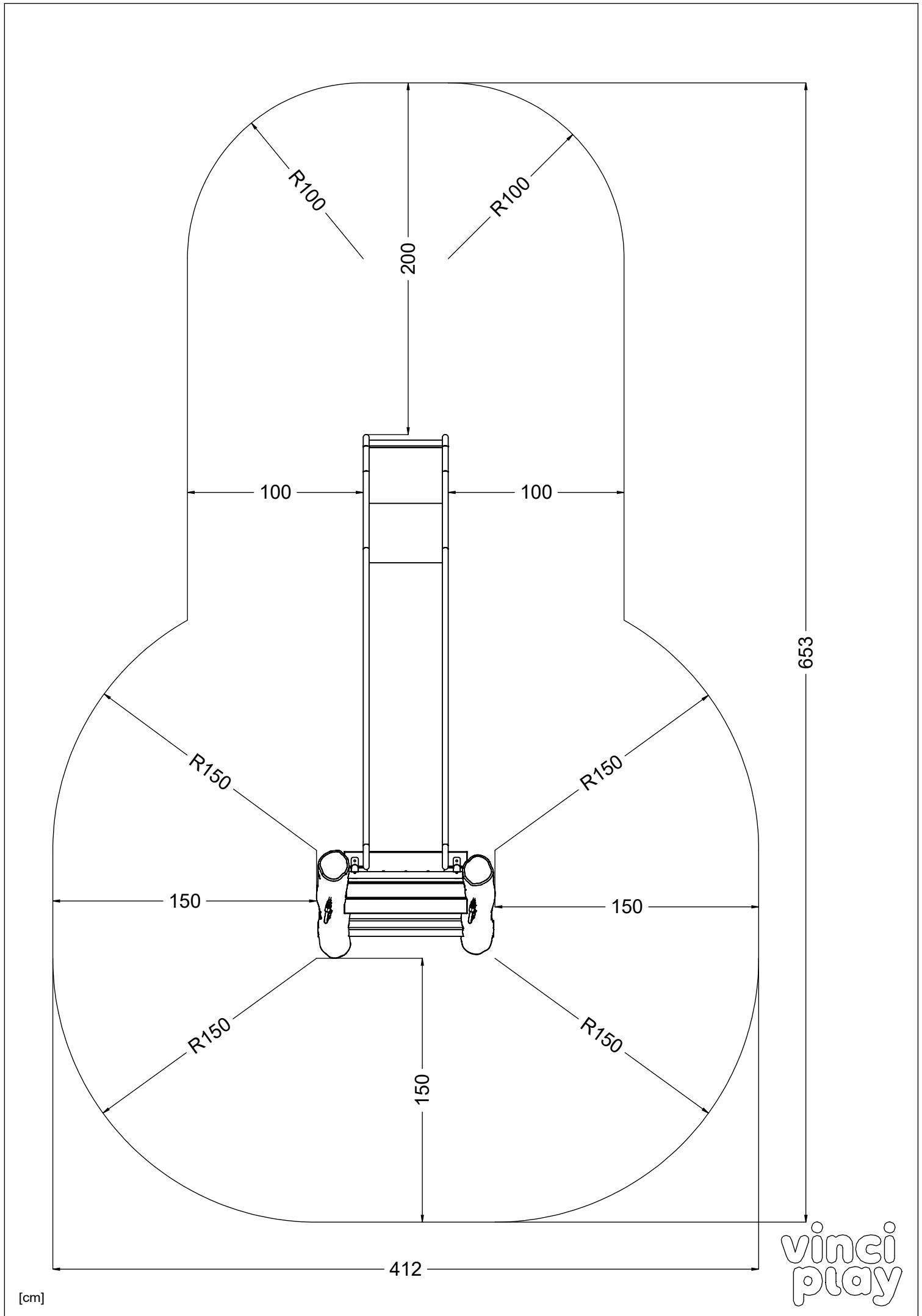
vinci  
play



[cm]



vinci  
play



[cm]

vinci  
play

K29

A/B/C

0,00

48h



100

40

15

L

15

A.

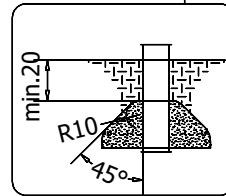
B.

C.

40

20

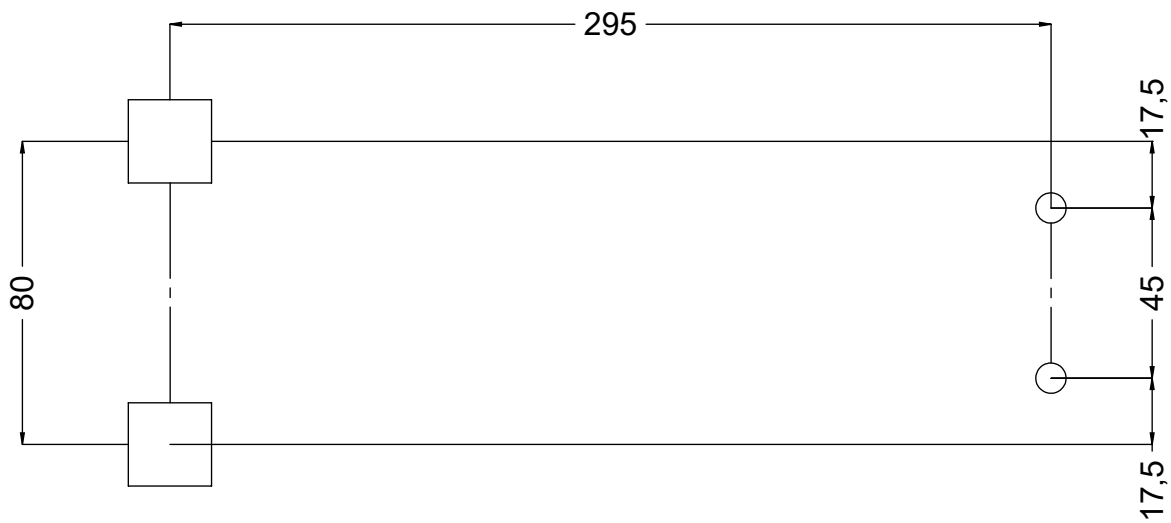
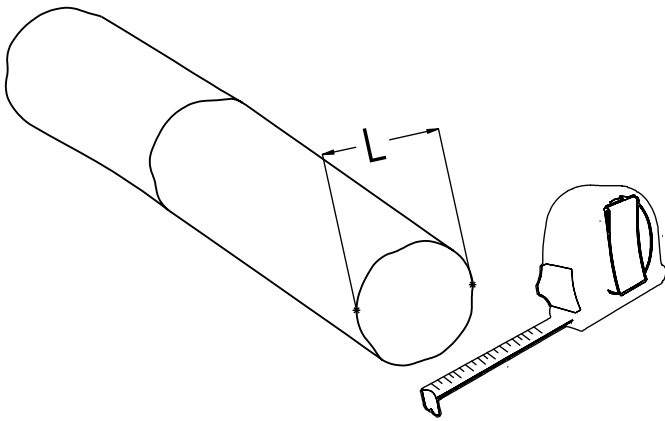
30



K1

0,00

55



[cm]



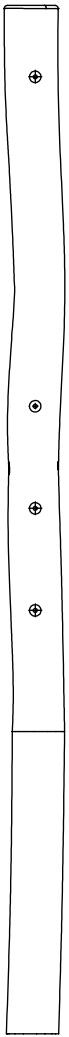
1,5h



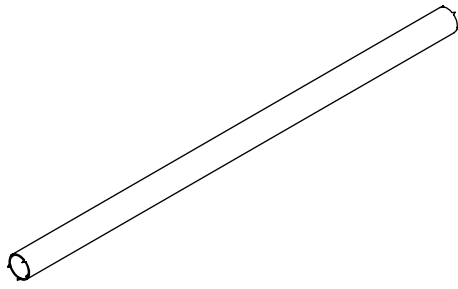
48h



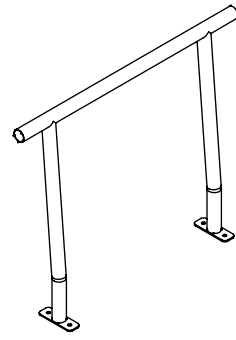
vinci play



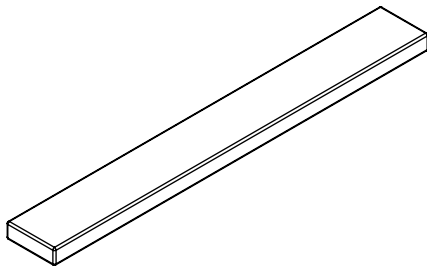
127499  
x2



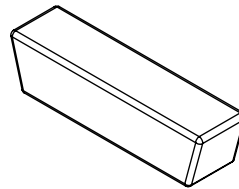
123110  
x3



122113  
x1



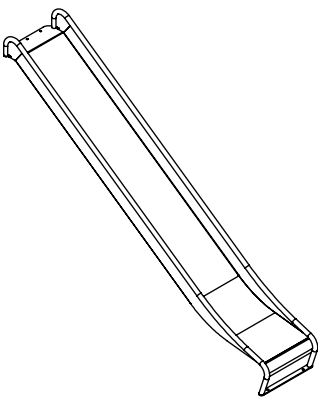
128184  
x4



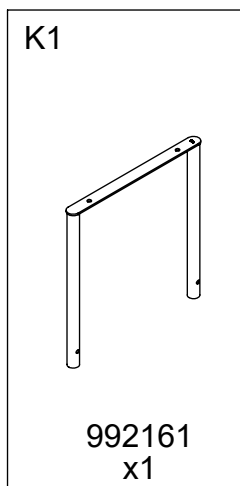
128183  
x2



125119  
x2



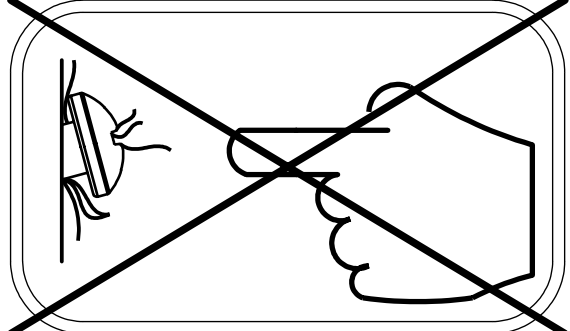
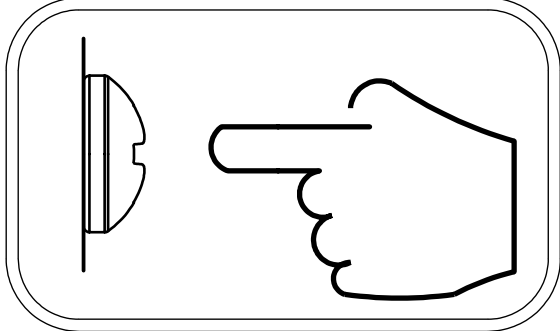
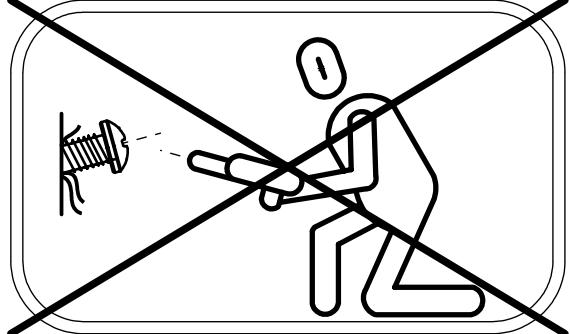
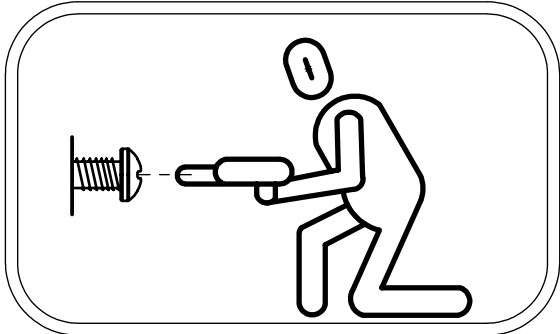
994170  
x1



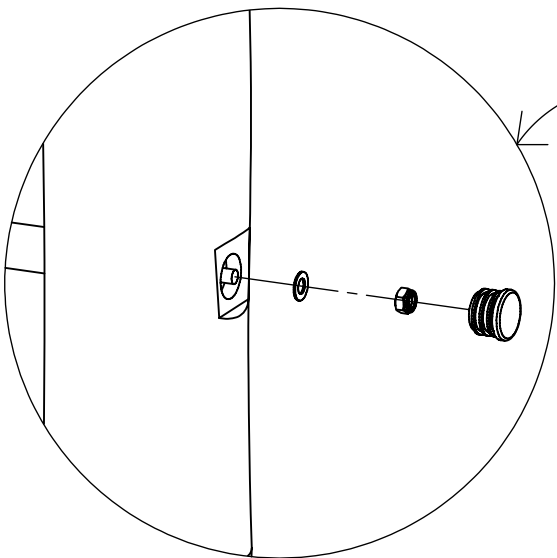
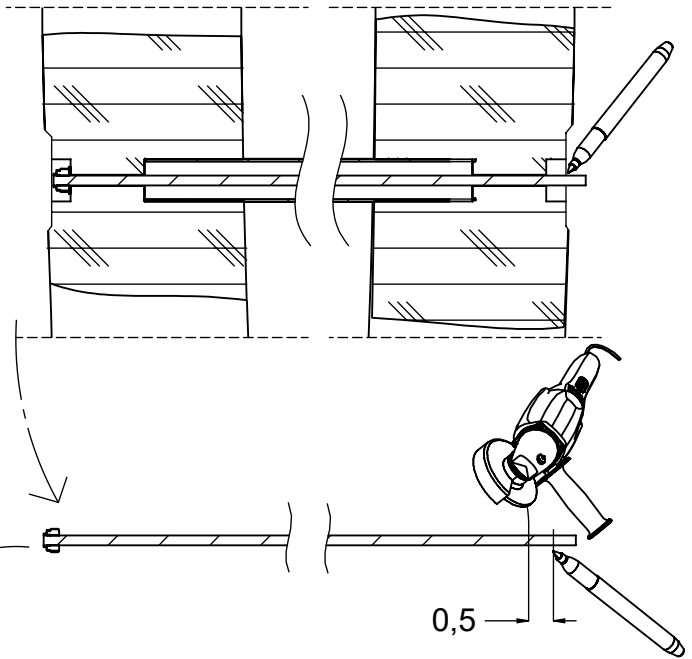
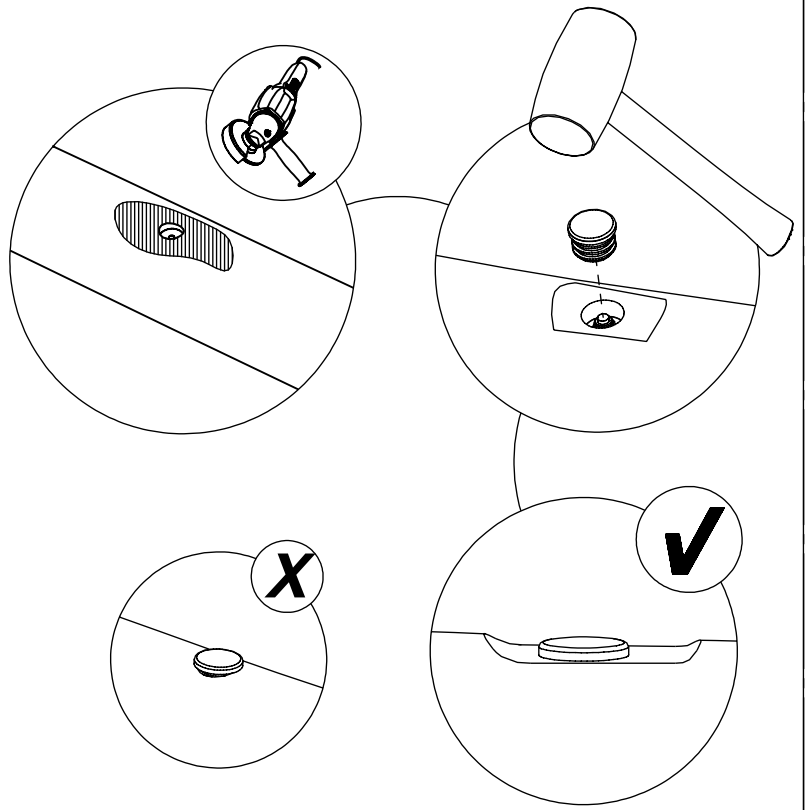
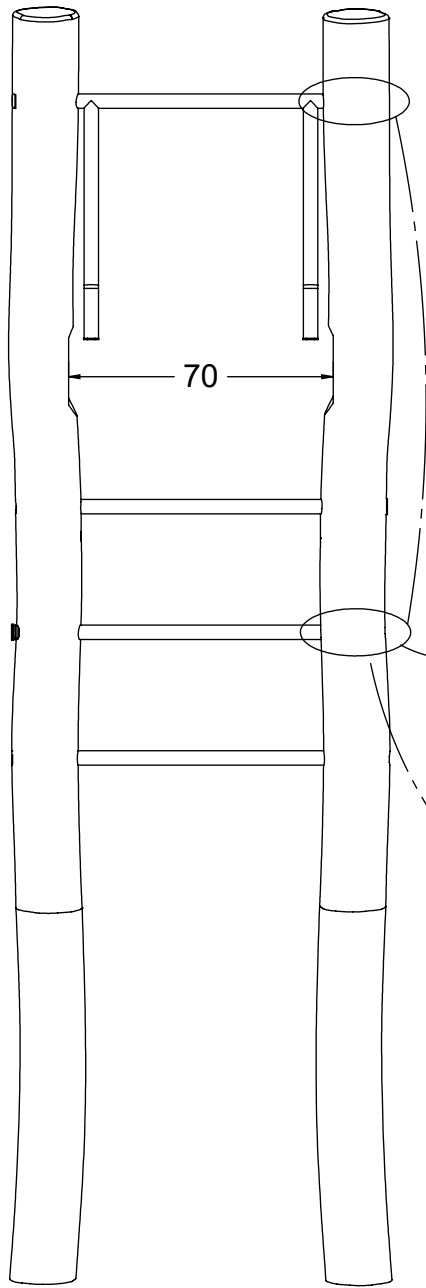
K1  
992161  
x1

2x	12e007
1x	12e089
1x	12e030
4x	12e055
1x	V001

16x	5x80sxs
4x	8x50sxi
6x	8x160sxt



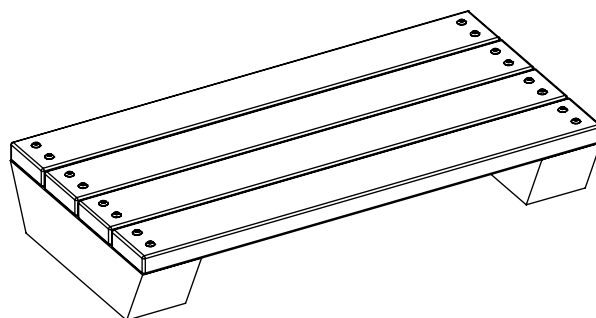
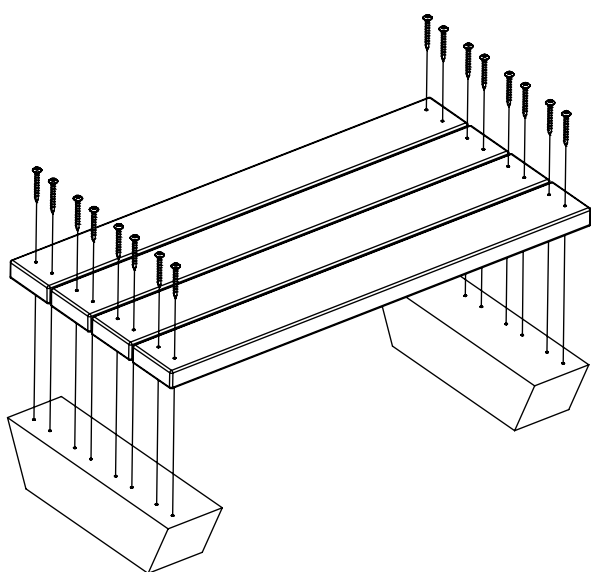
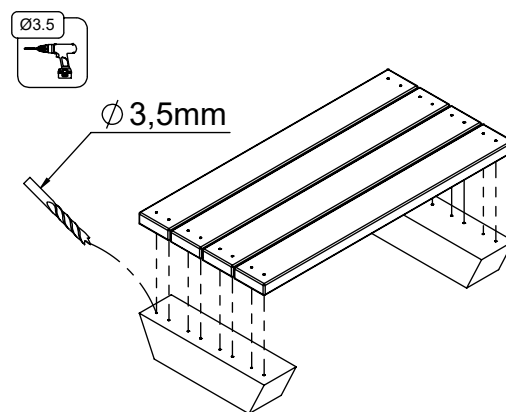
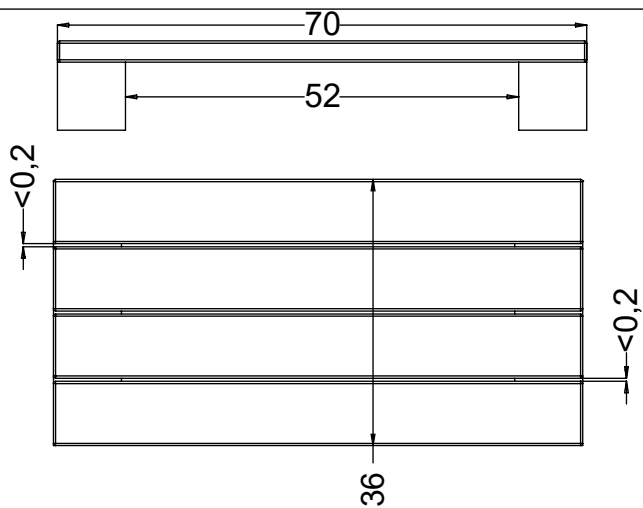
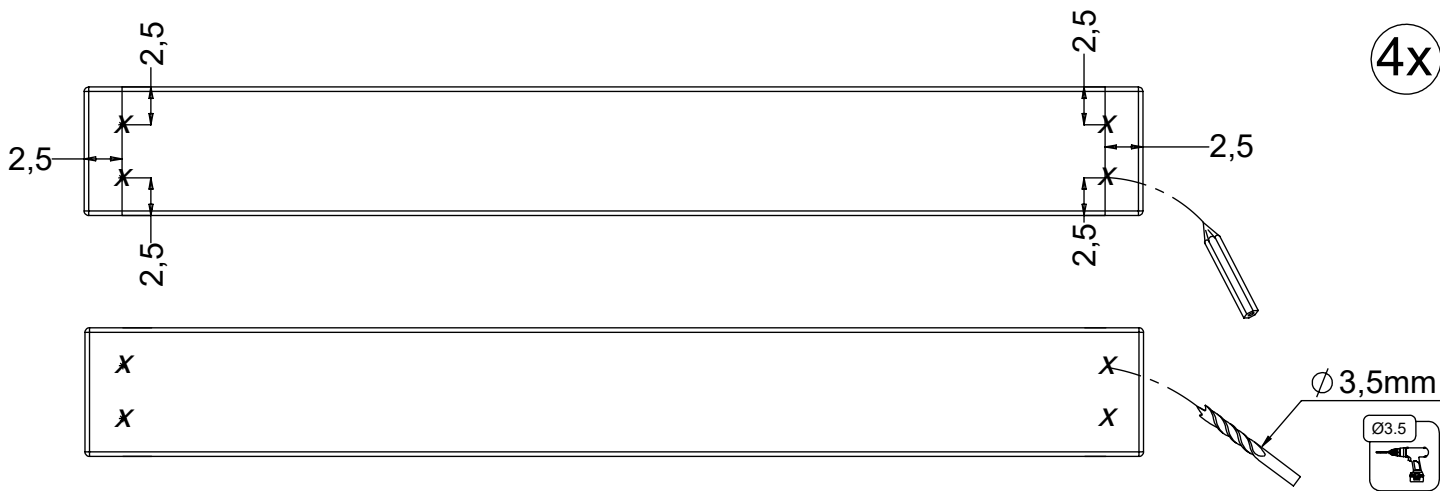




4x 12e055

[cm]

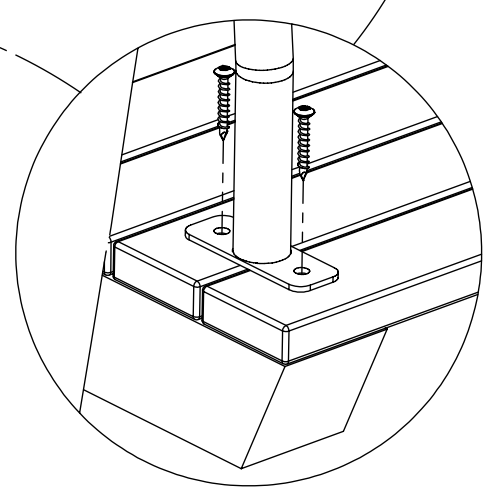
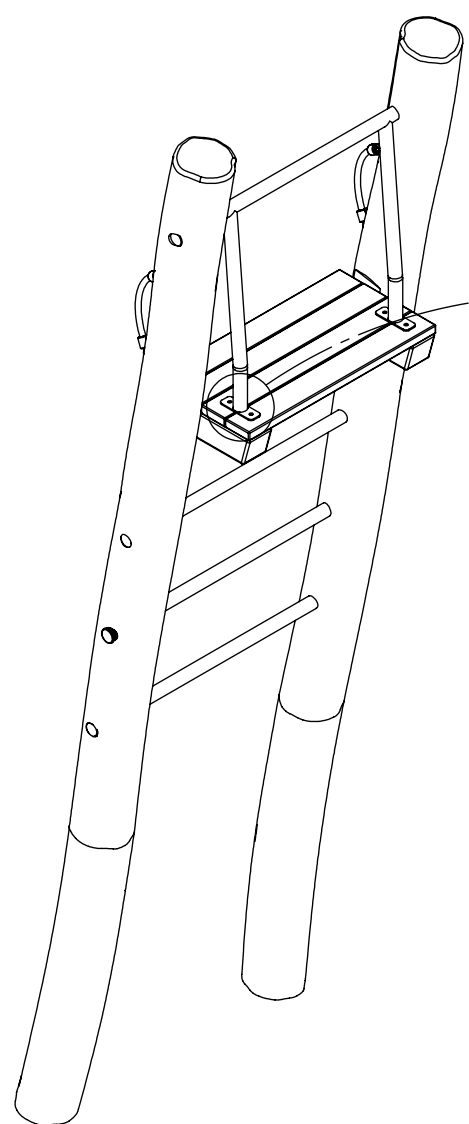
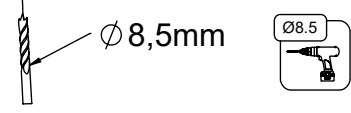
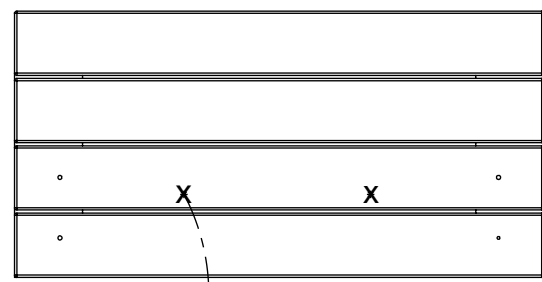
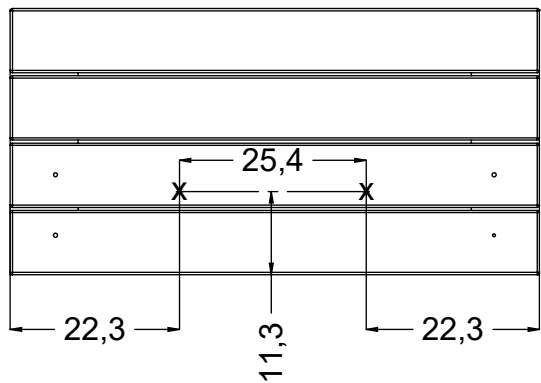
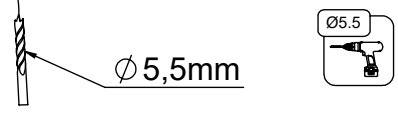
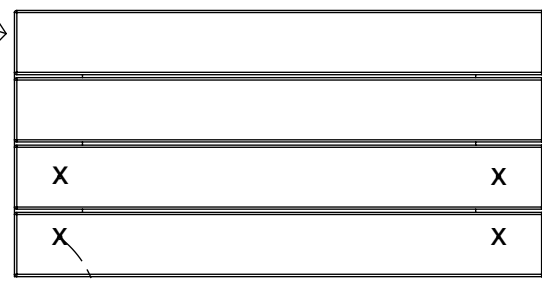
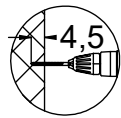
vinci  
play



16x 5x80sxs

[cm]

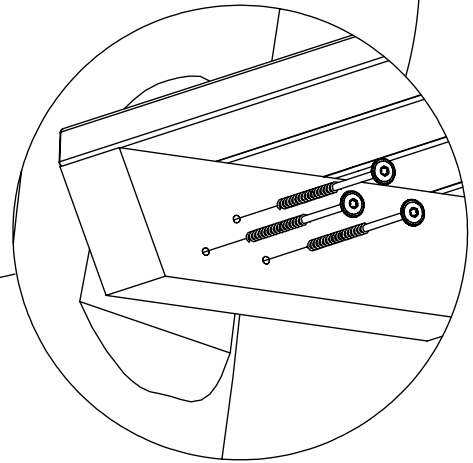
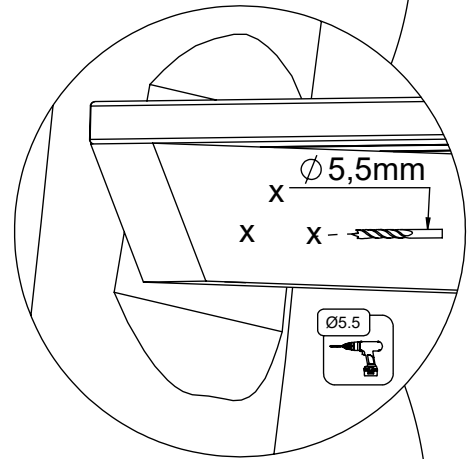
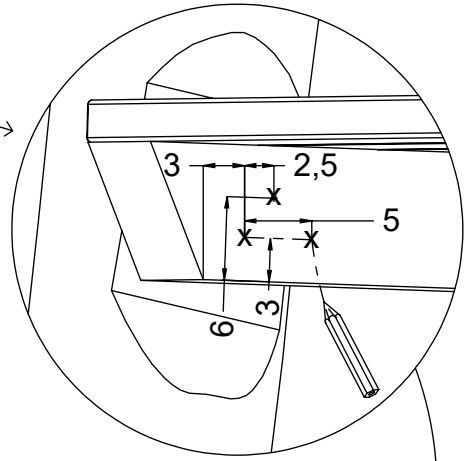
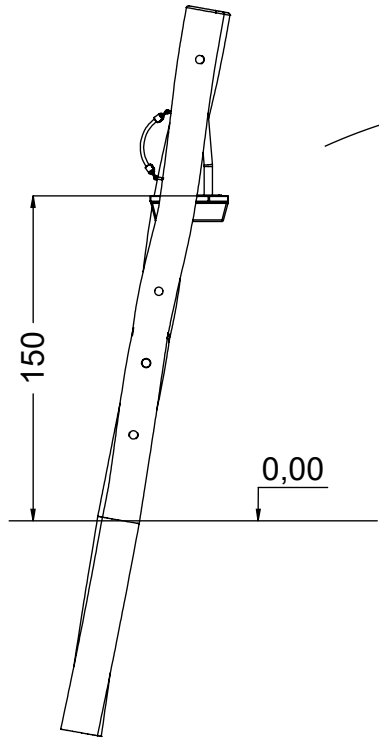
vinci  
play



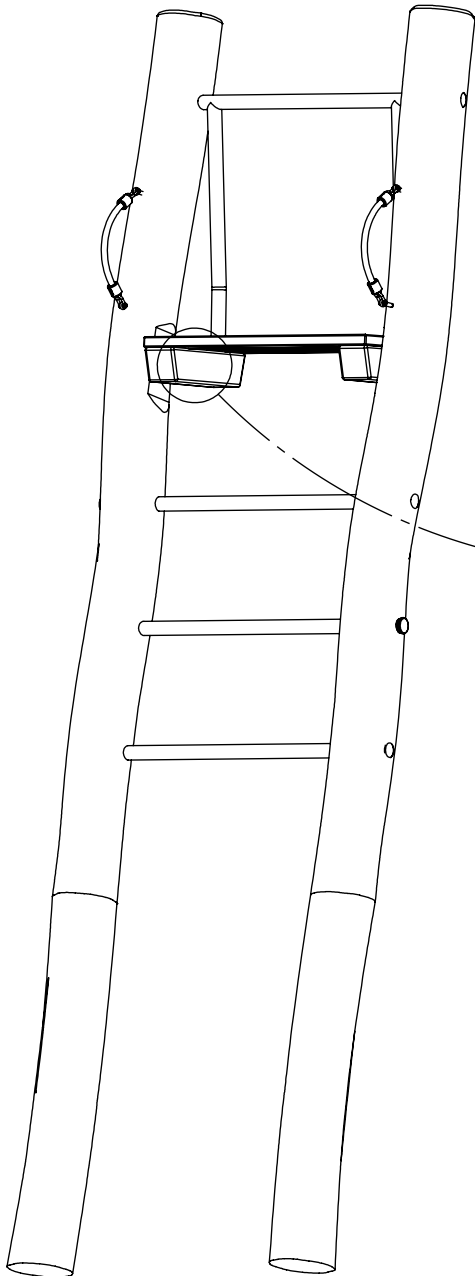
4x 8x50sxi

[cm]

vinci play

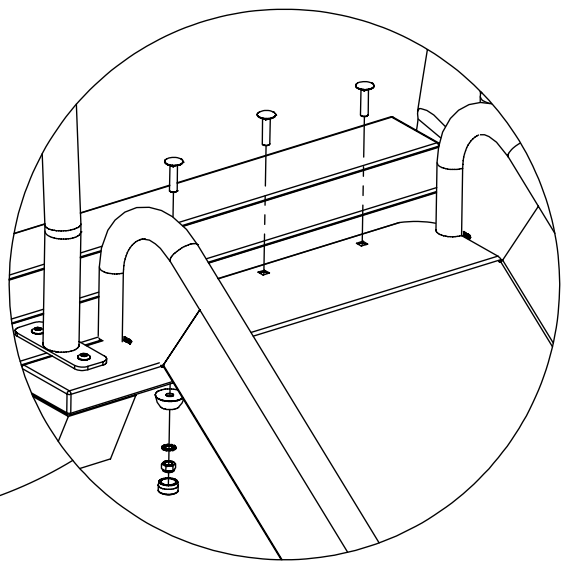
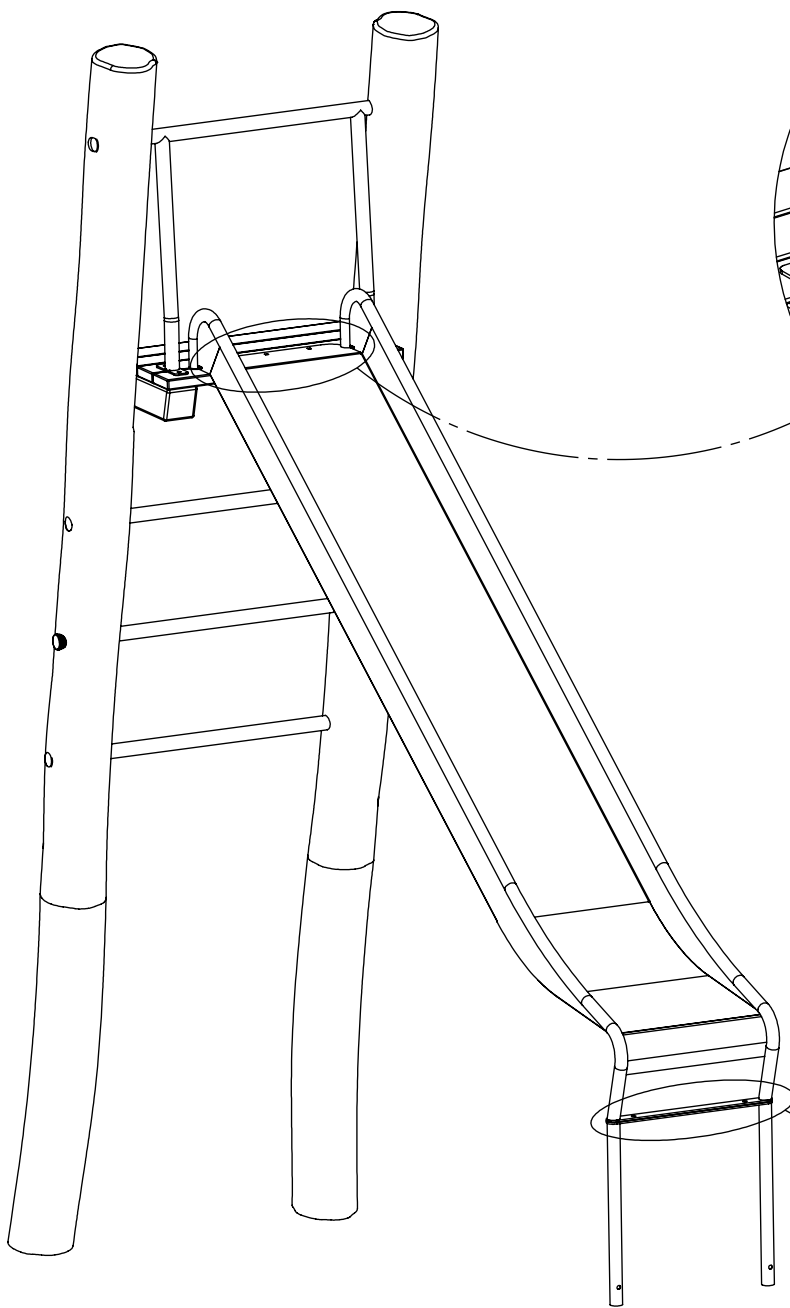


6x 8x160sxt

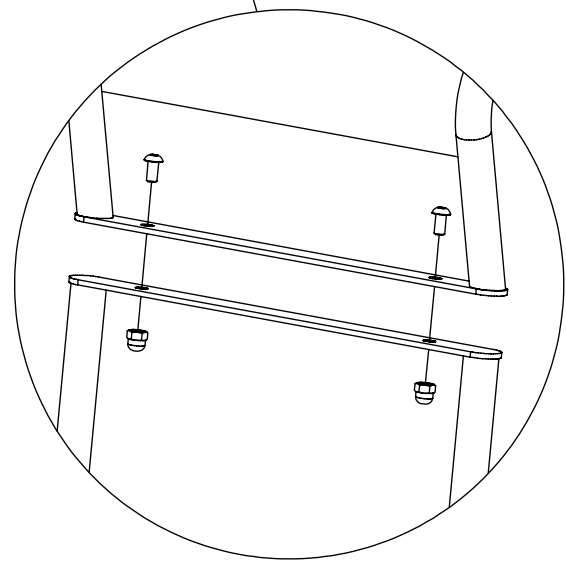


[cm]

vinci  
play



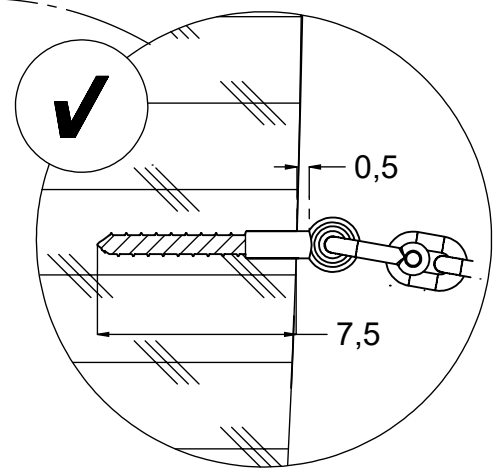
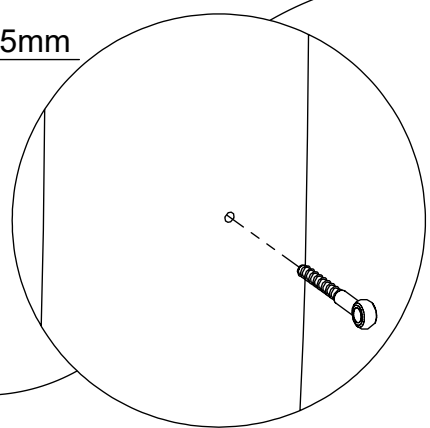
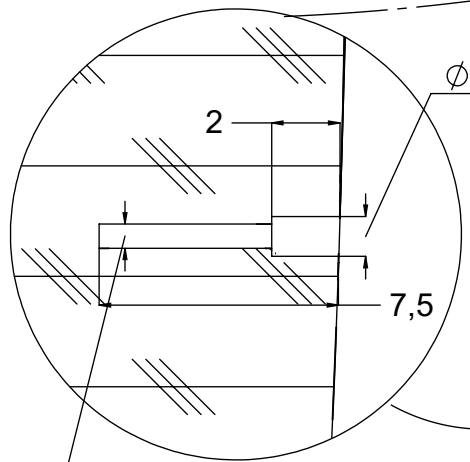
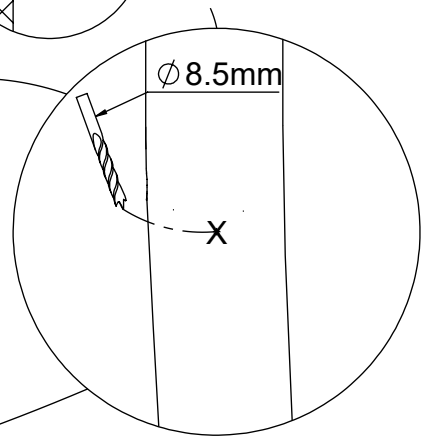
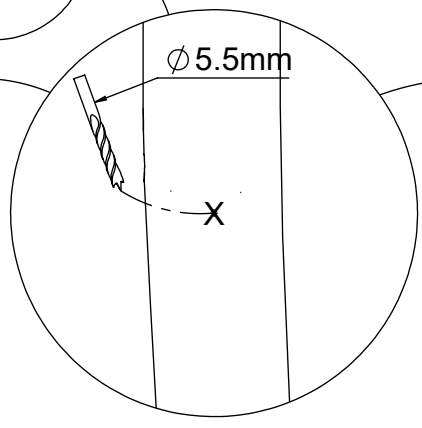
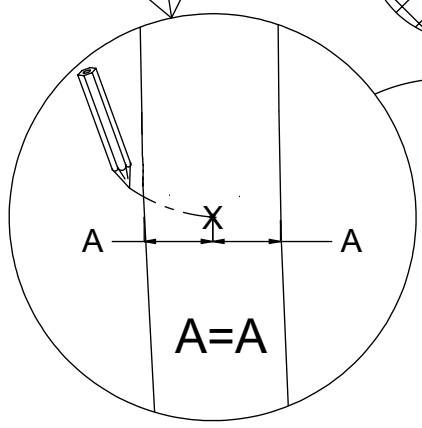
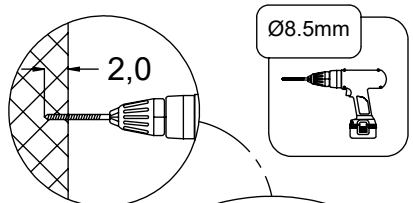
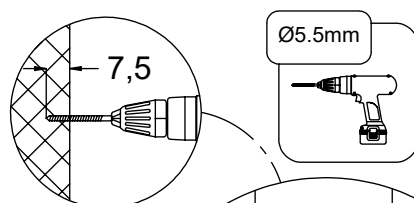
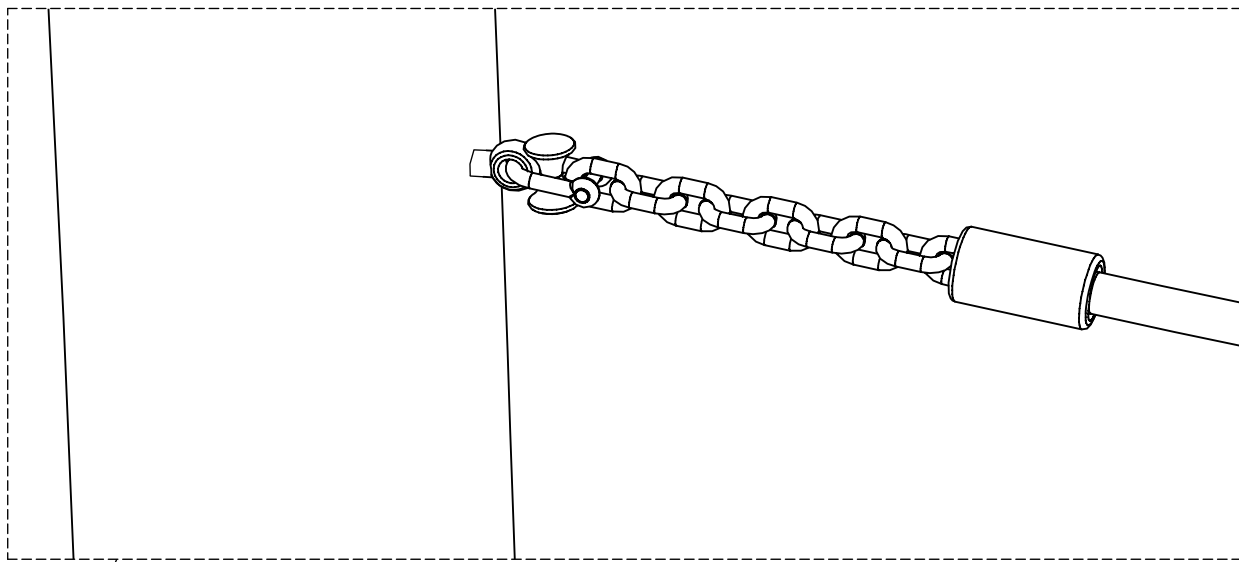
1x 12e089



1x 12e030

[cm]

vinci  
play

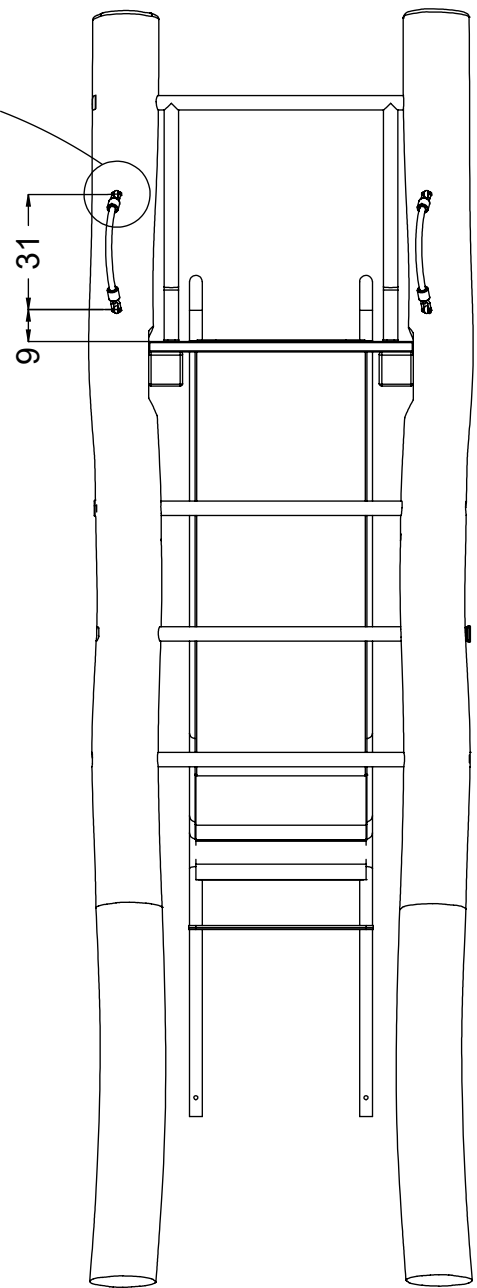
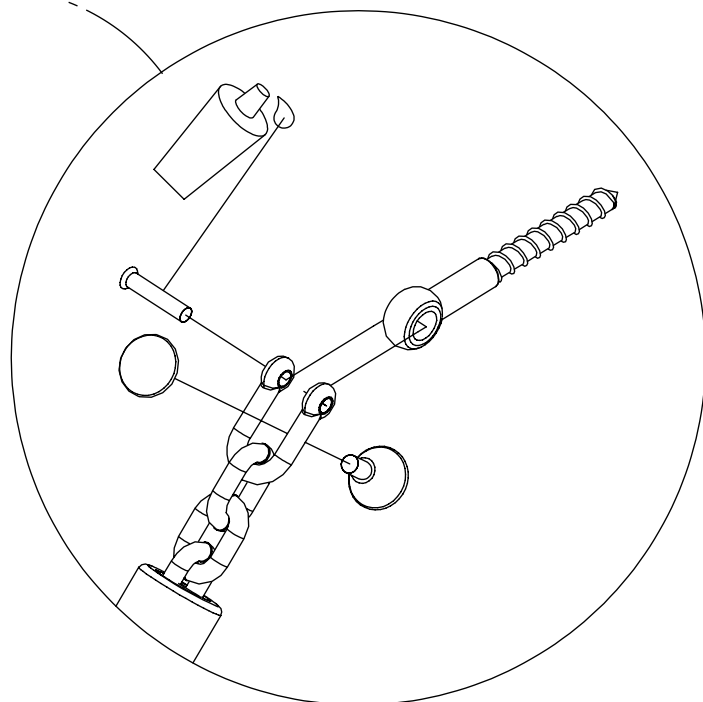
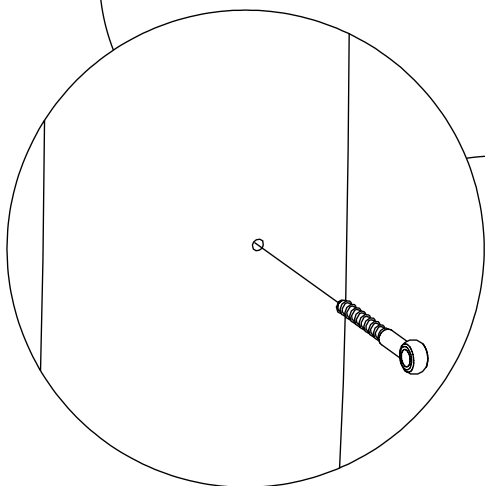
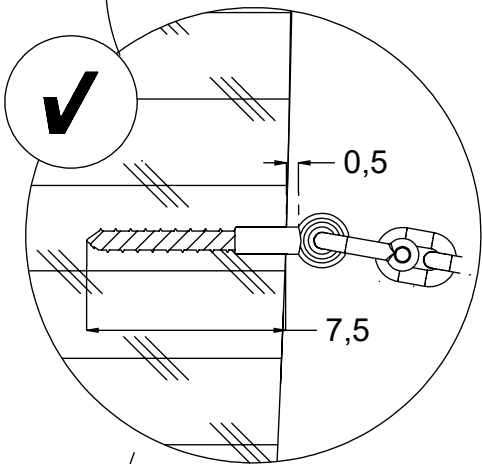
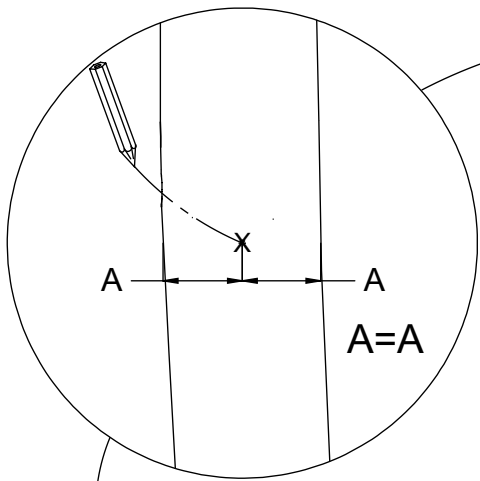


Ø 5.5 mm

Ø 8.5mm

[cm]

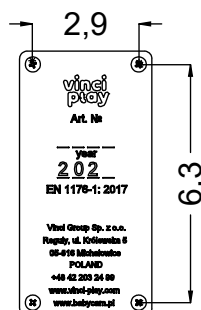
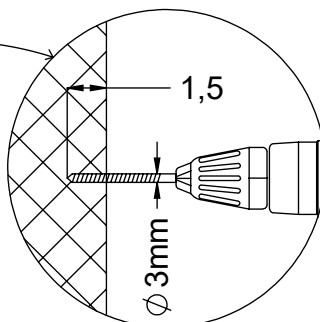
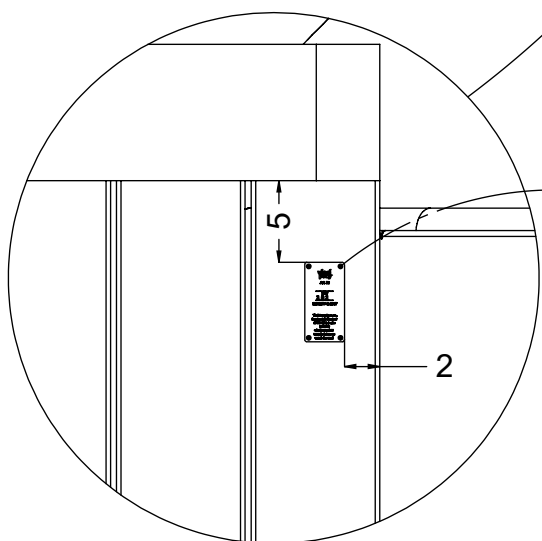
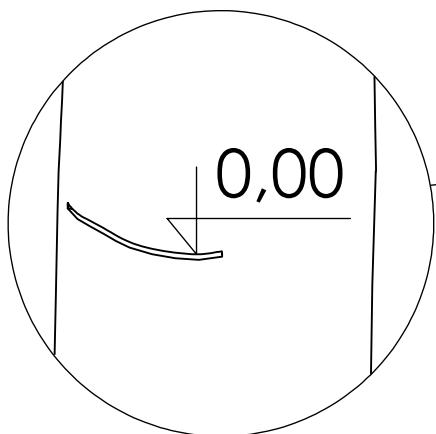
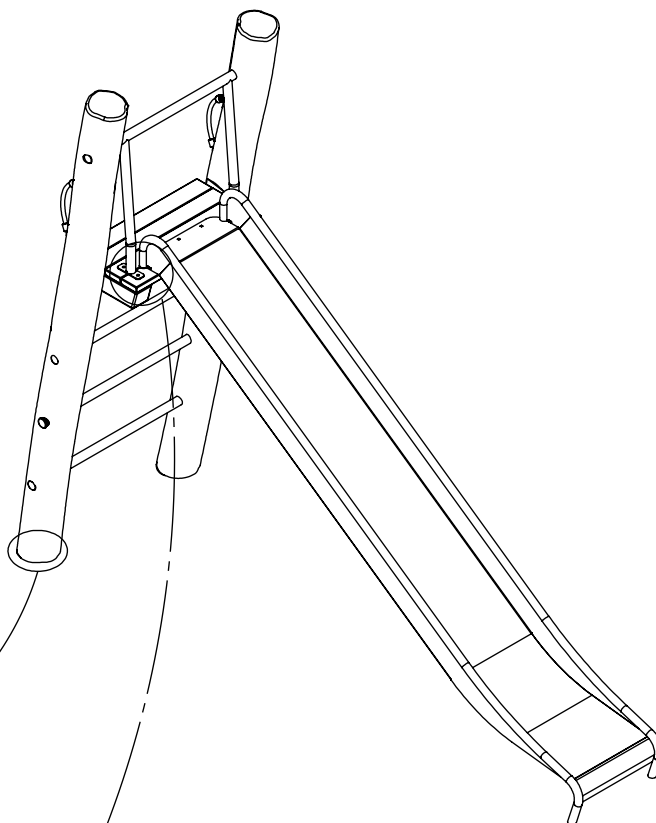
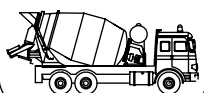
vinci  
play



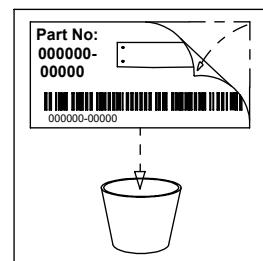
2x 12e007

vinci  
play

48h



V001



[cm]

vinci  
play