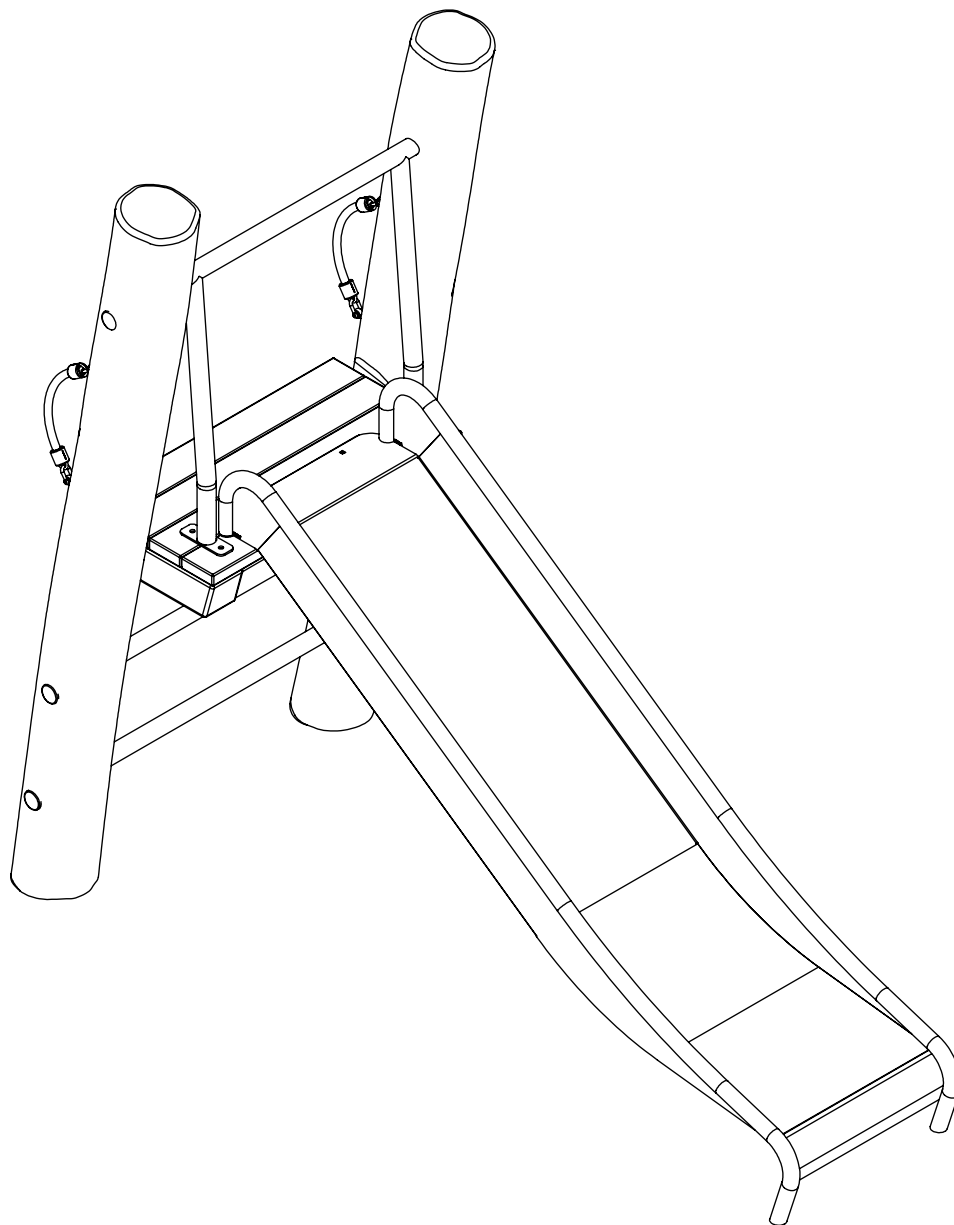
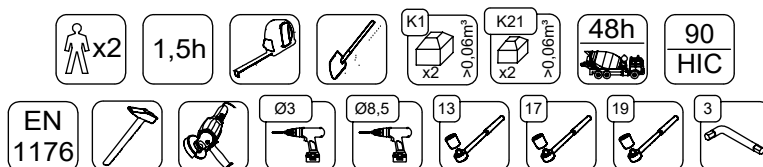


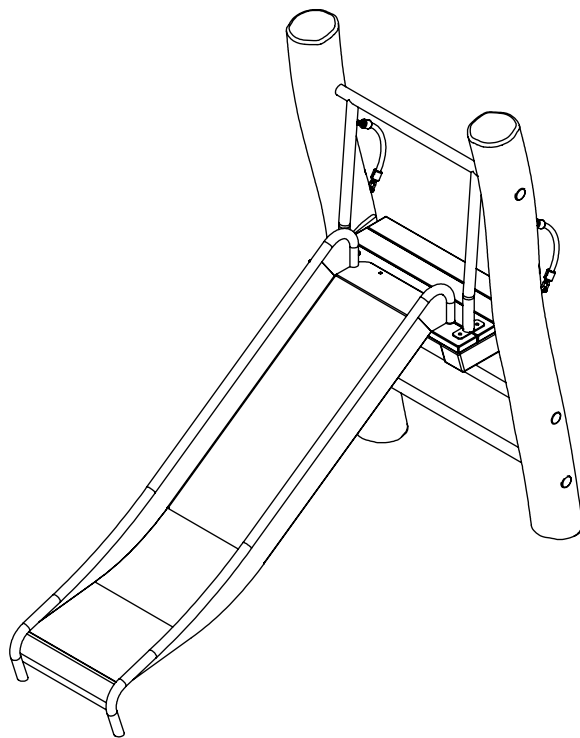
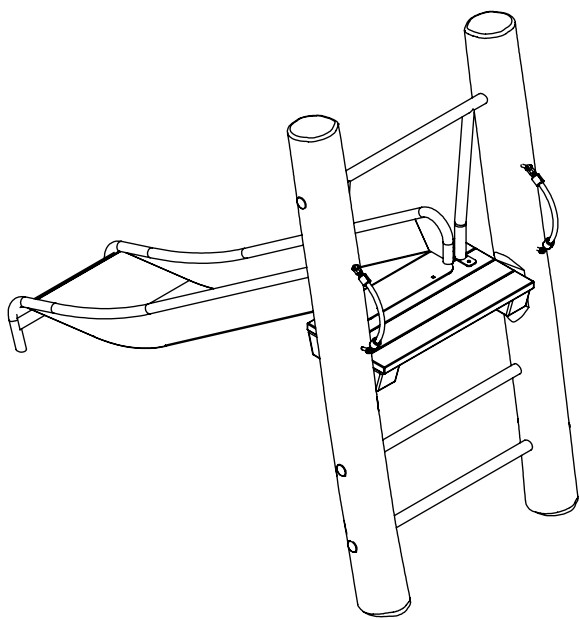
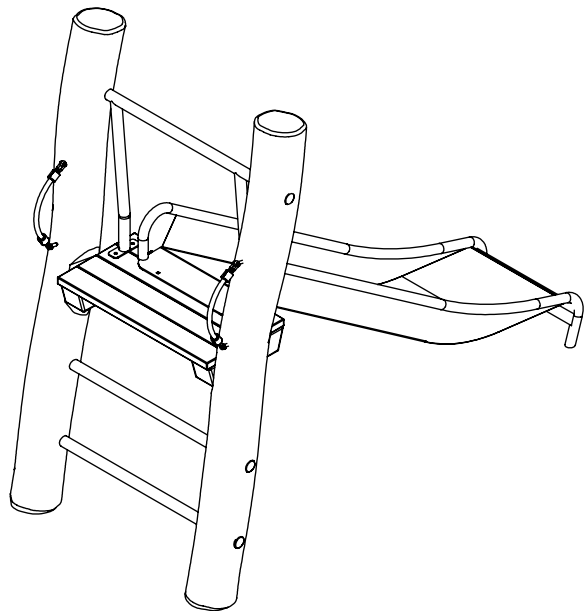
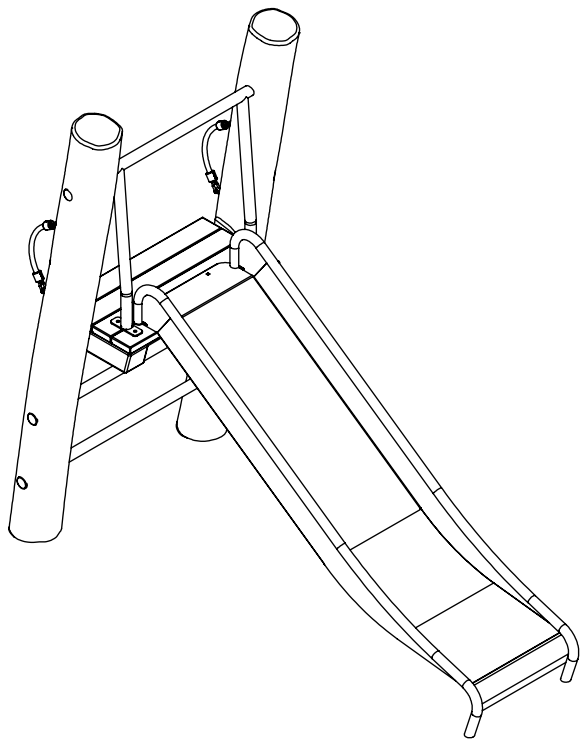
# RB1291



v011  
16.09.2021  
D. P.  
[cm]

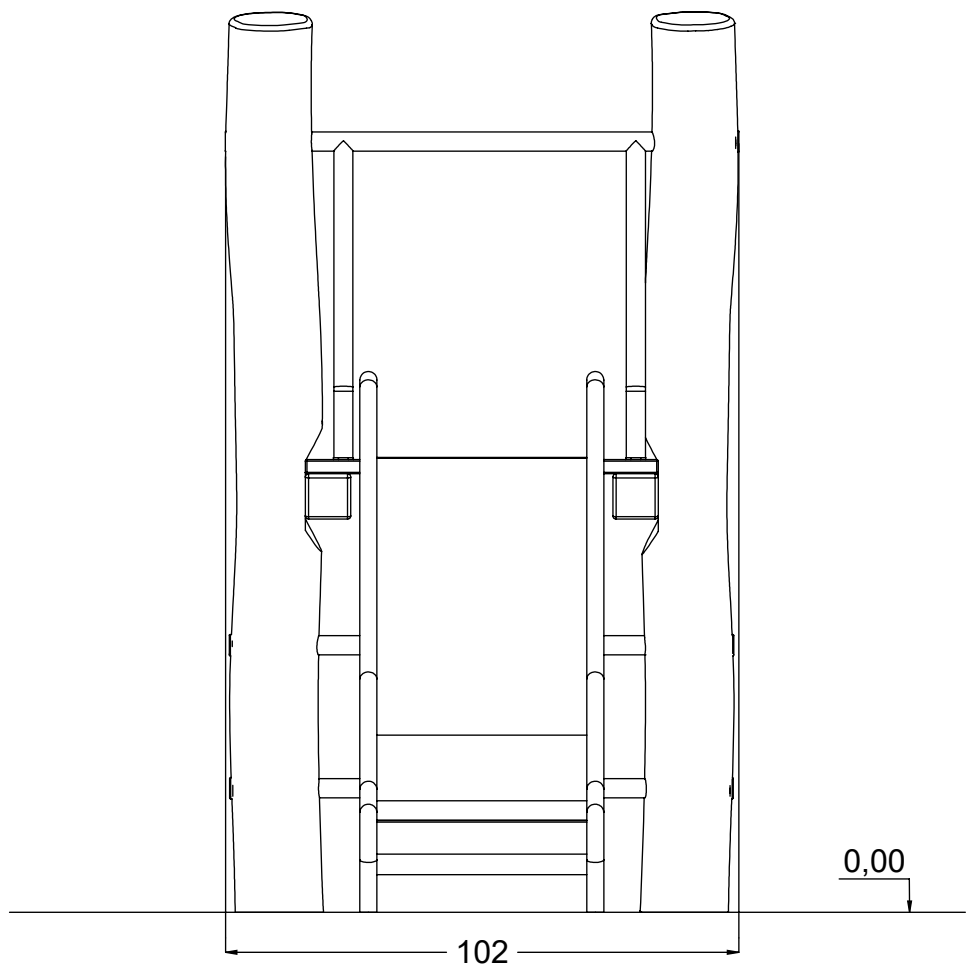
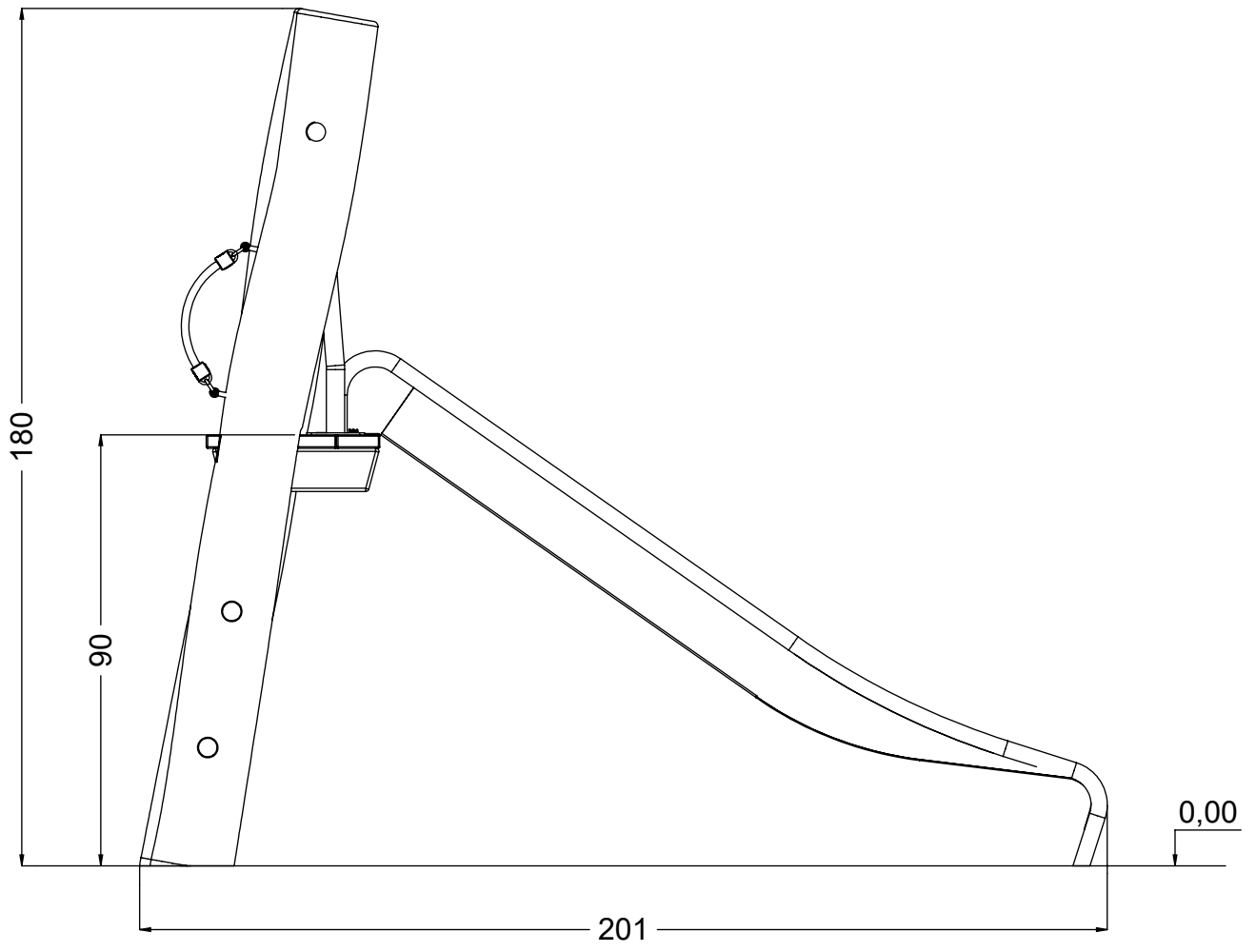


vinci  
play



[cm]

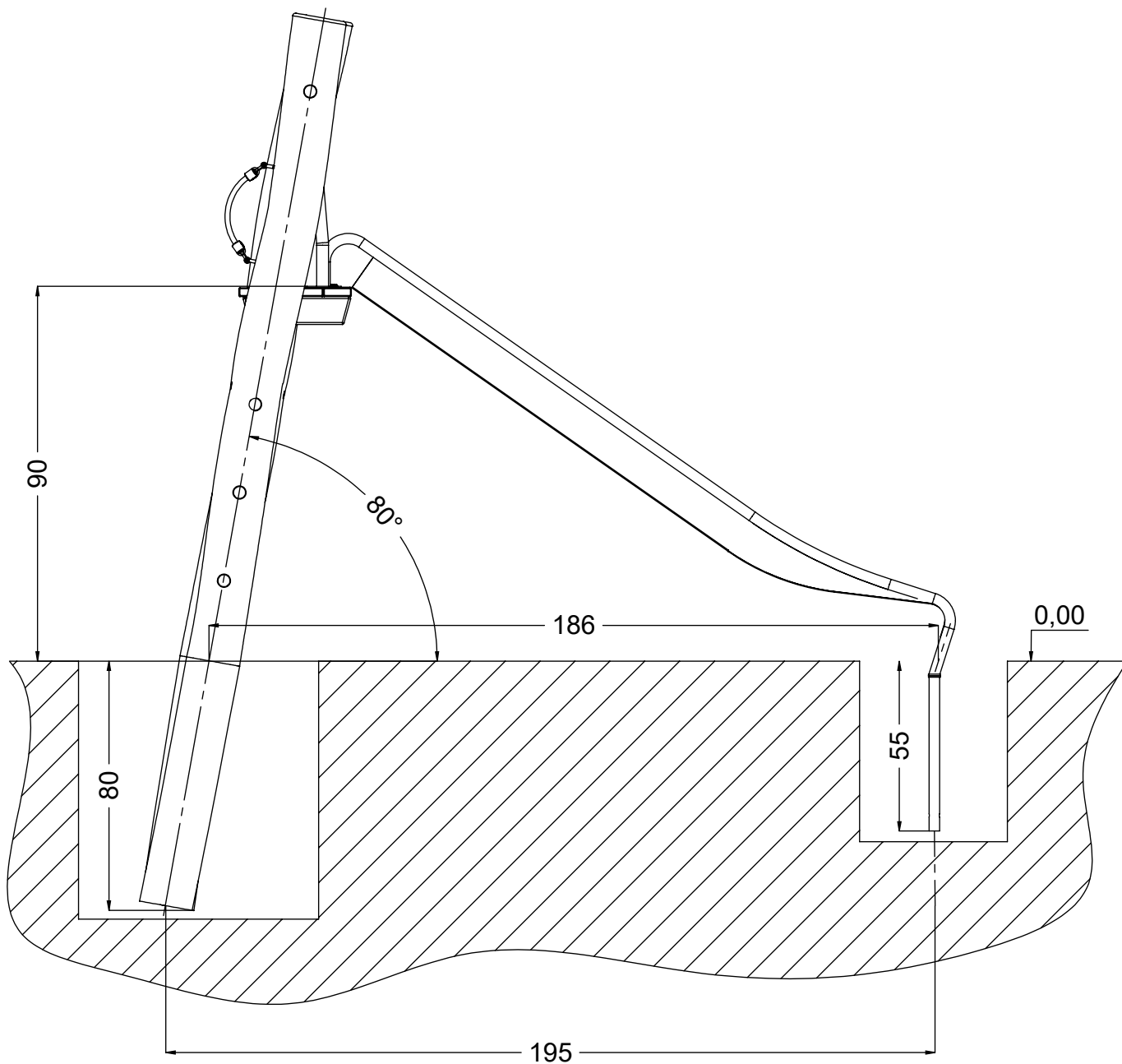
vinci  
play



[cm]



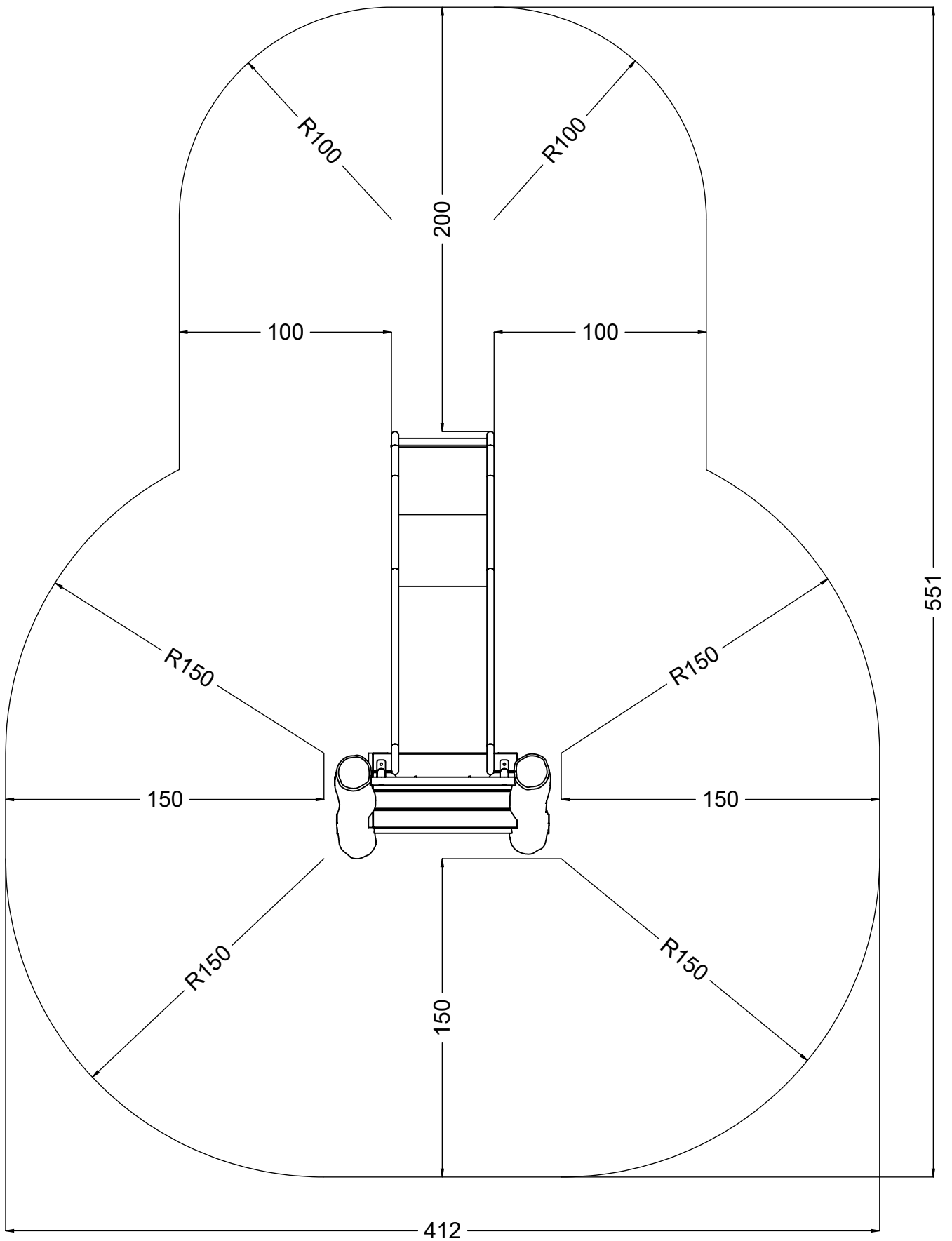
vinci  
play



[cm]

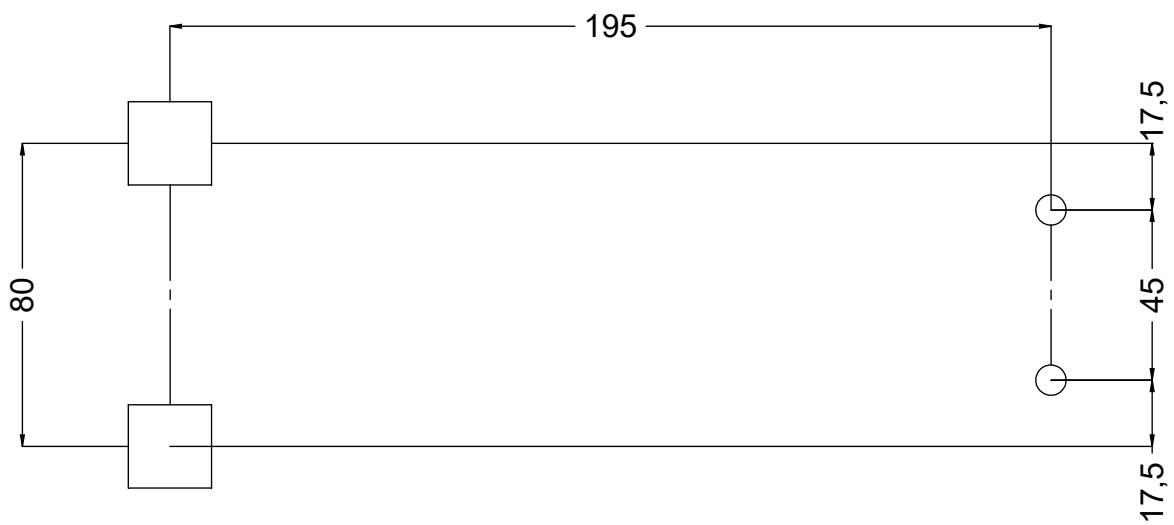
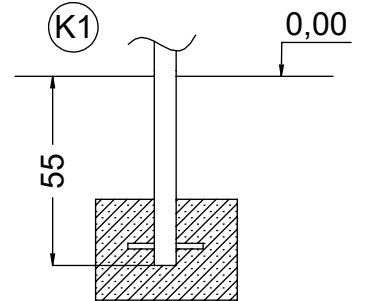
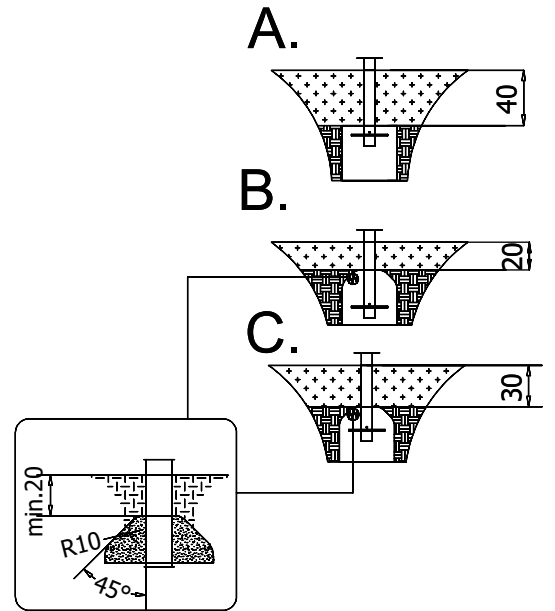
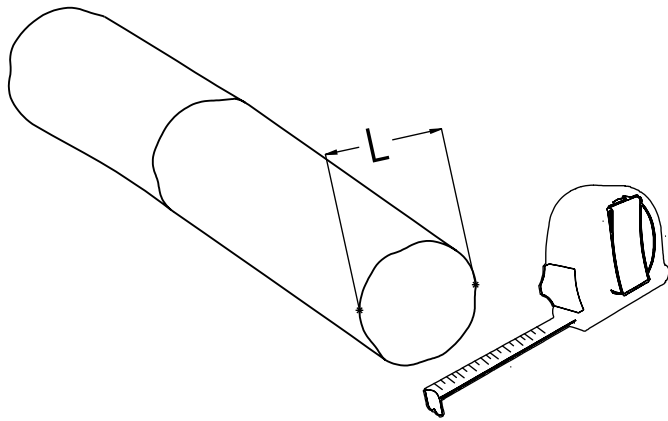
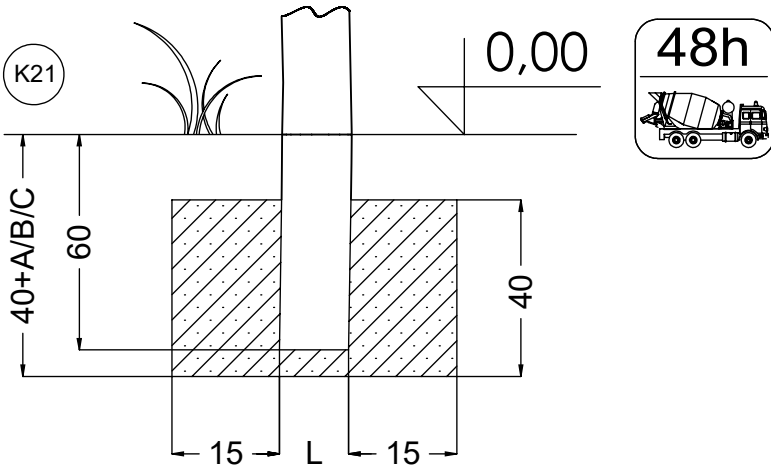


vinci  
play



[cm]

vinci  
play



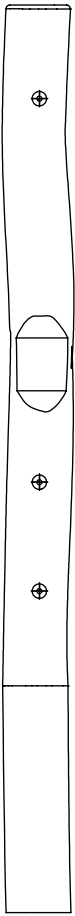
[cm]



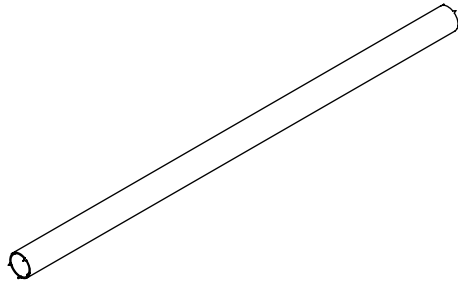
1,5h



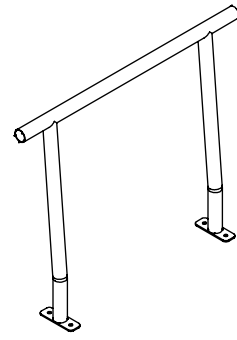
vinci  
play



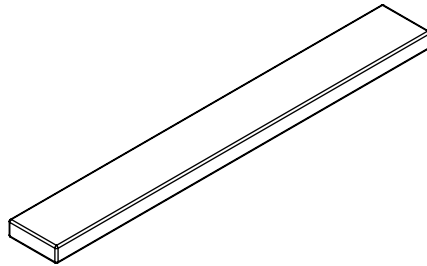
127178  
x2



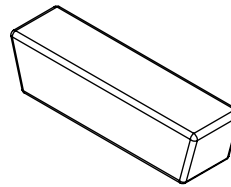
123110  
x2



122113  
x1



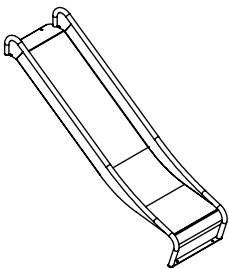
128184  
x4



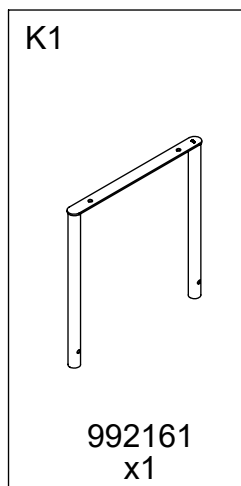
128183  
x2



125119  
x2



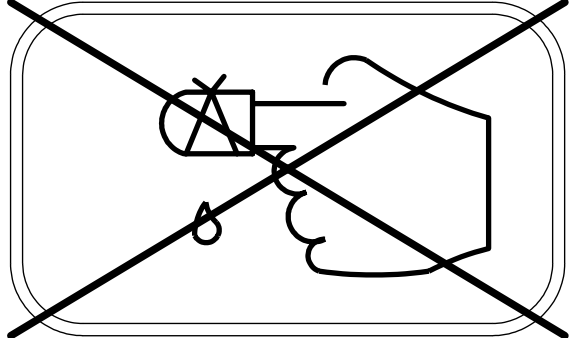
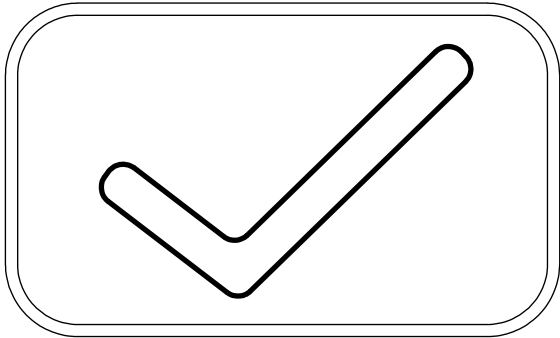
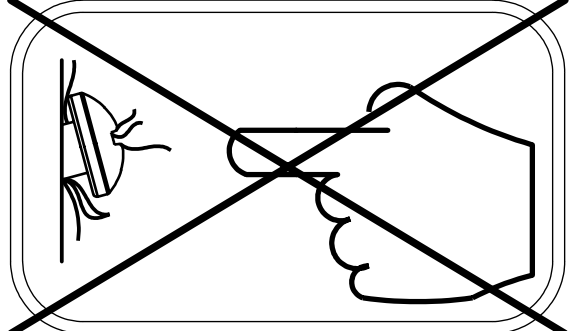
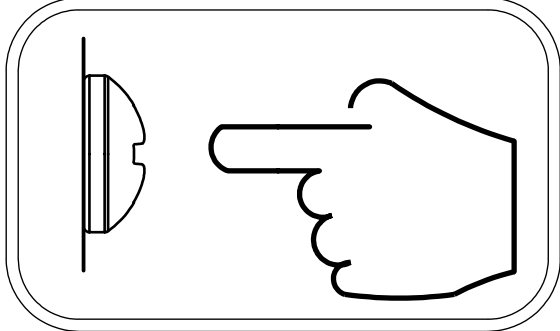
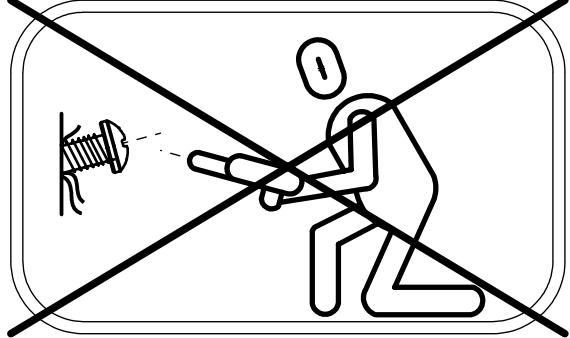
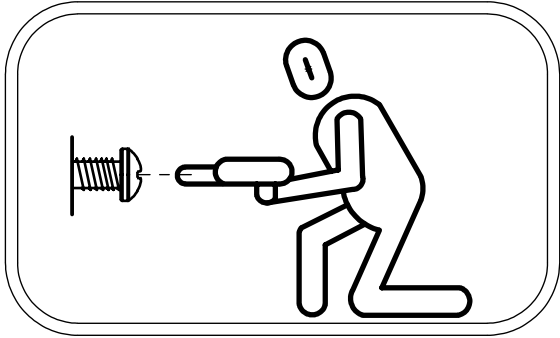
994172  
x1



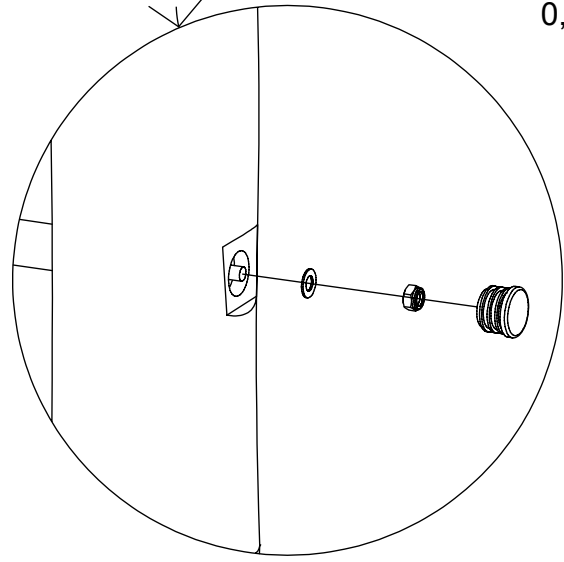
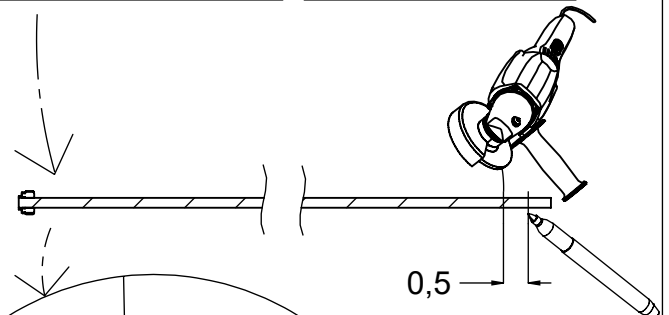
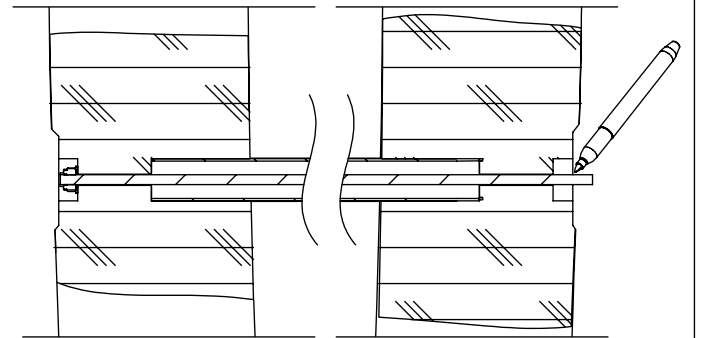
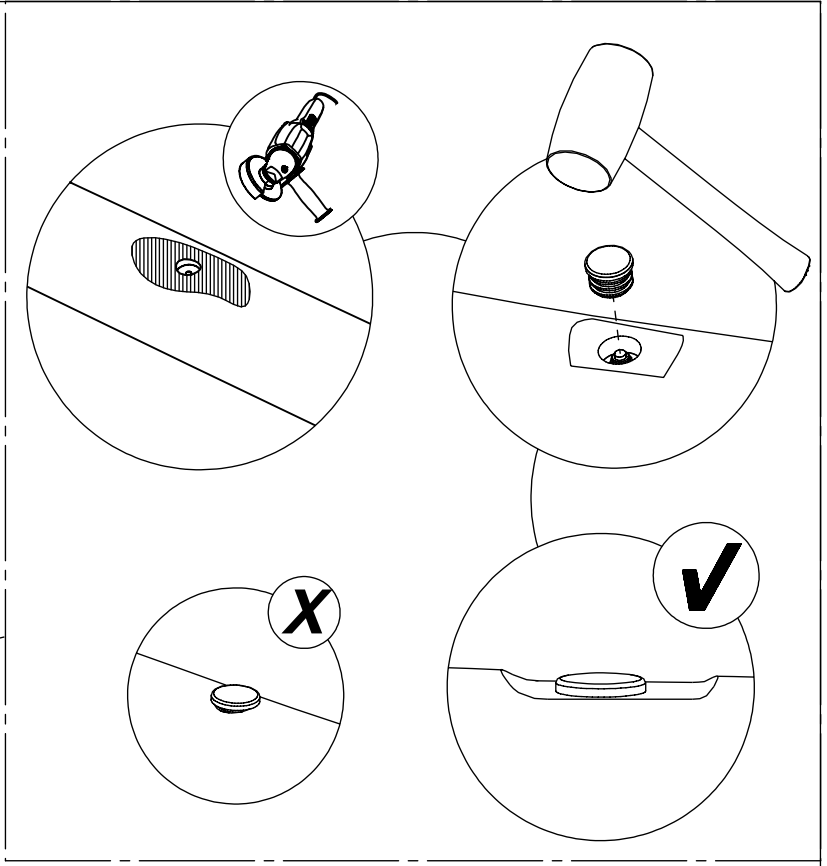
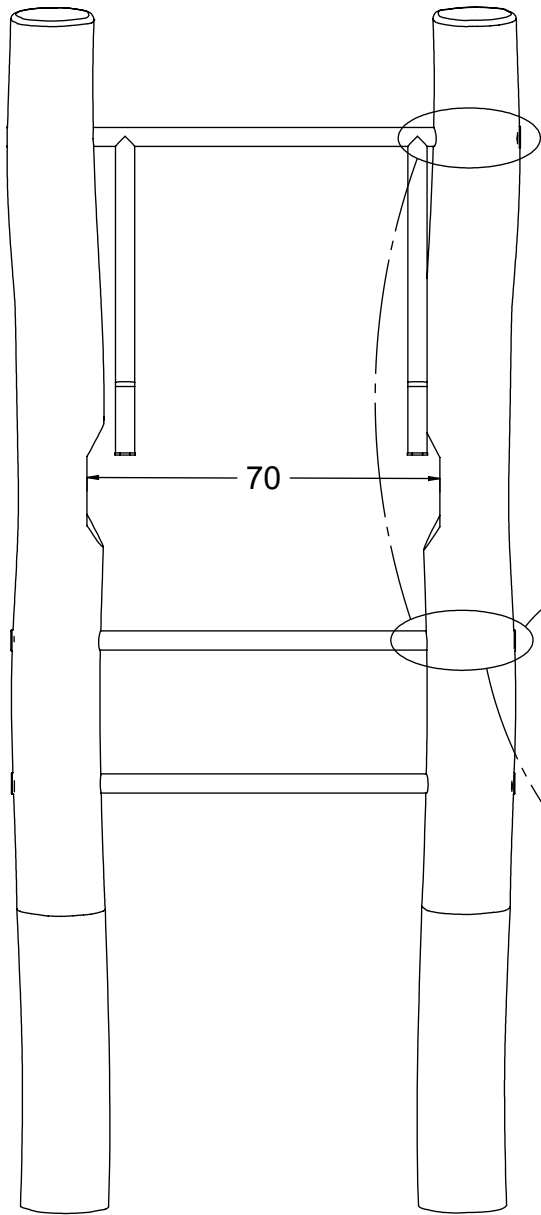
K1  
992161  
x1

2x	12e007
1x	12e019
1x	12e030
3x	12e055
1x	V001

16x	5x80sxs
4x	8x50sxi
6x	8x160sxt



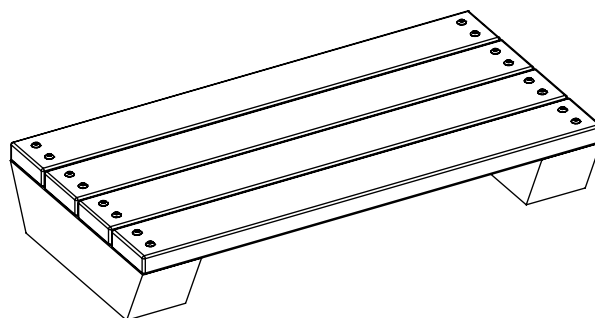
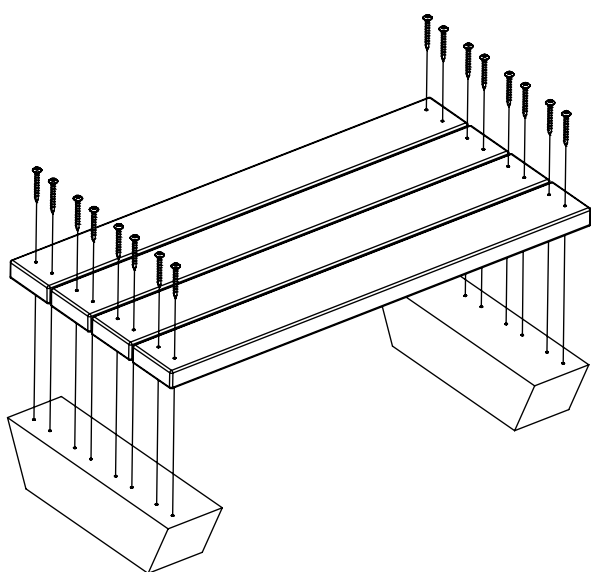
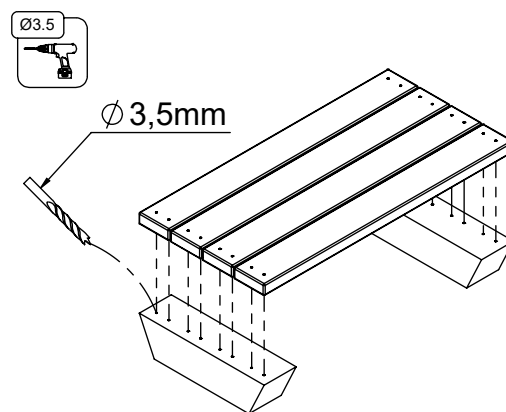
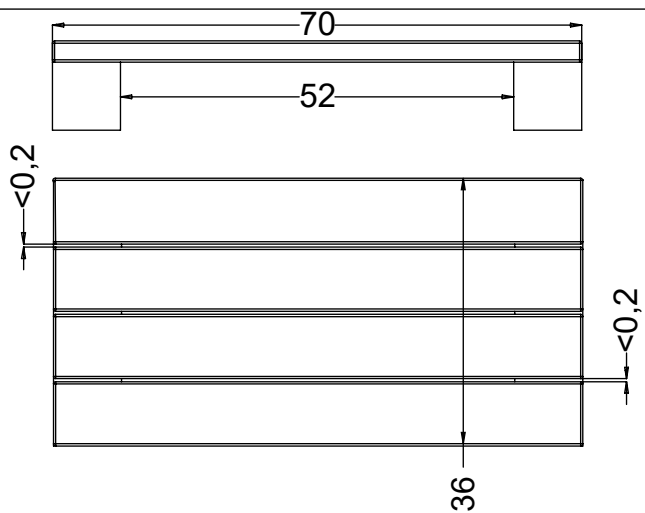
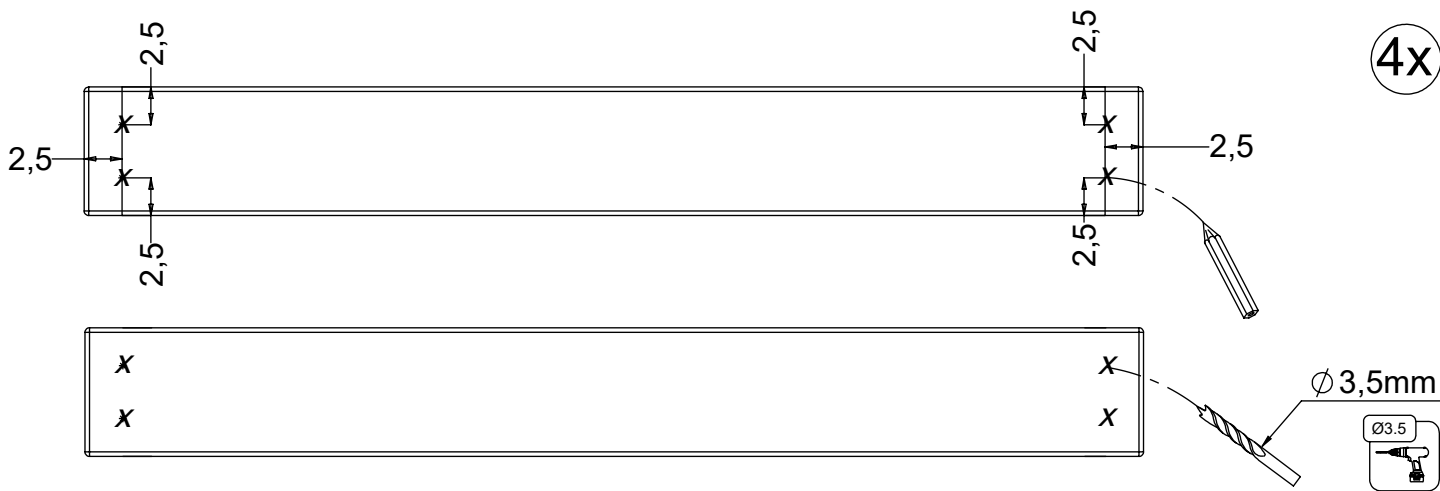




[cm]

3x 12e055

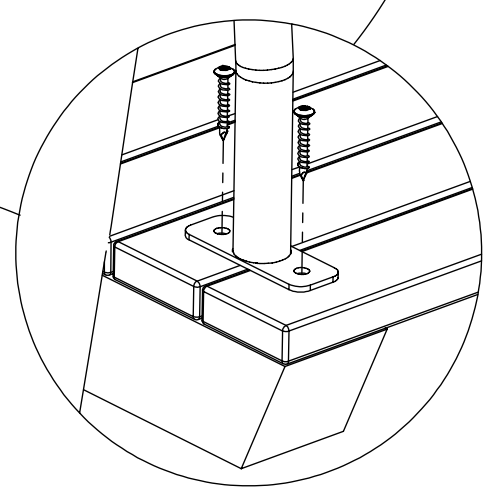
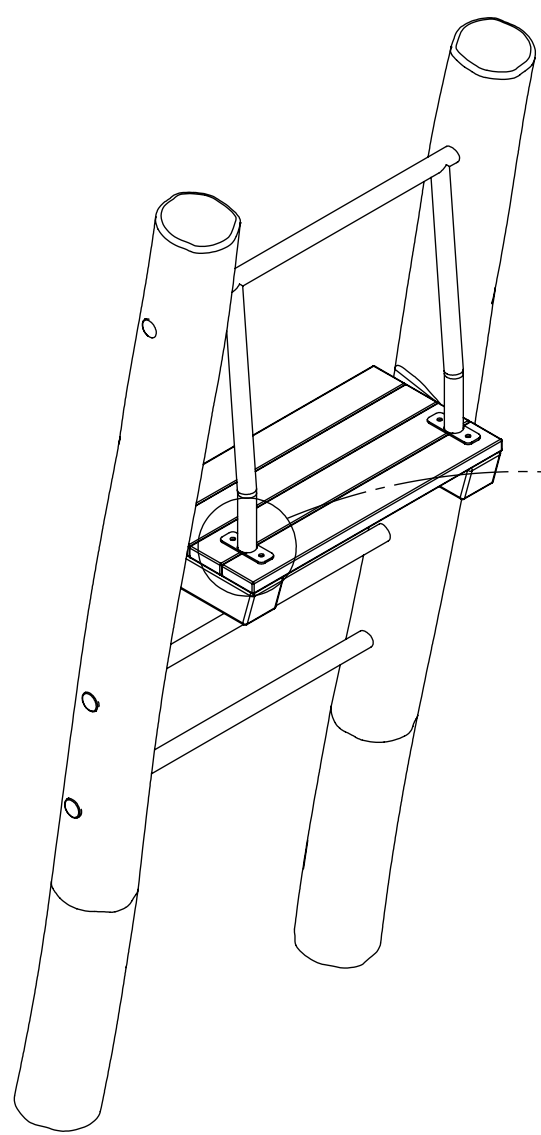
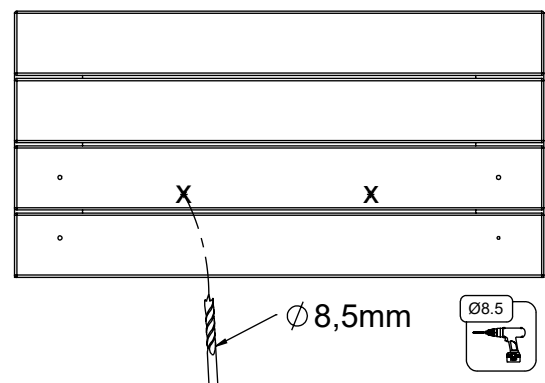
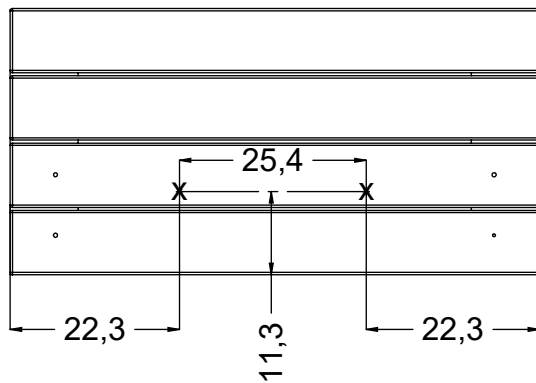
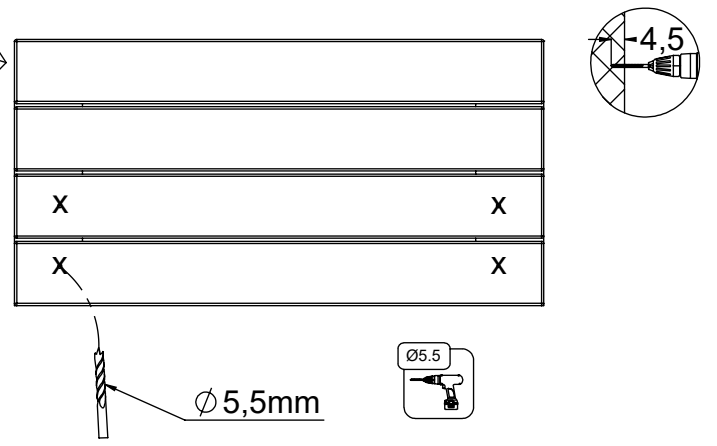
vinci  
play



16x 5x80sxs

[cm]

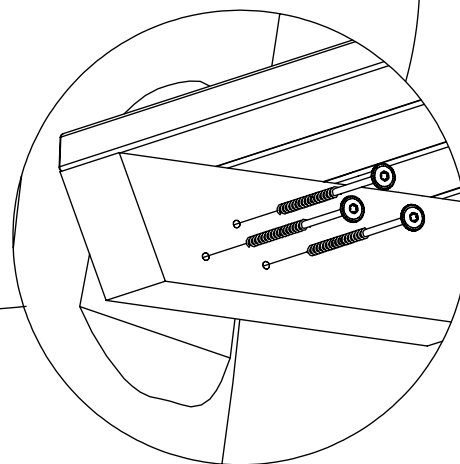
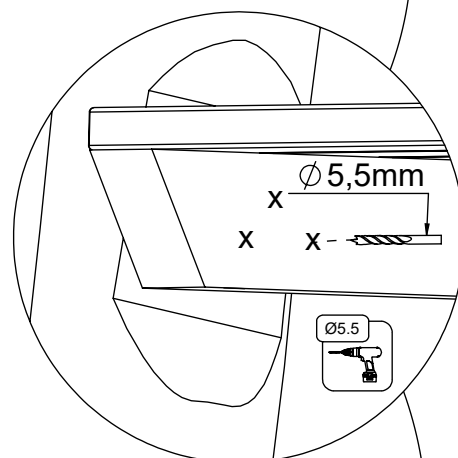
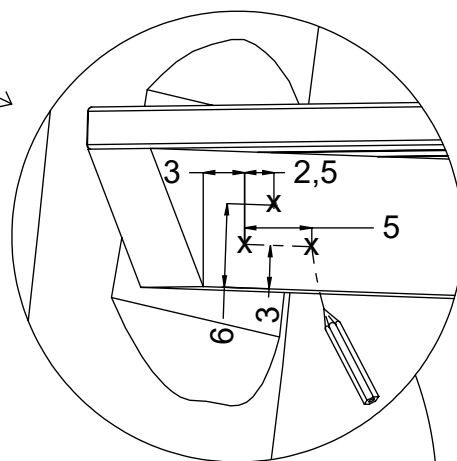
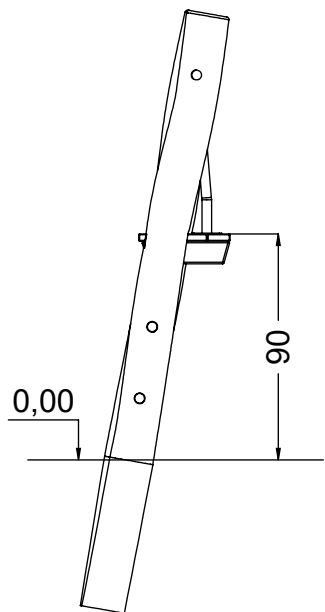
vinci  
play



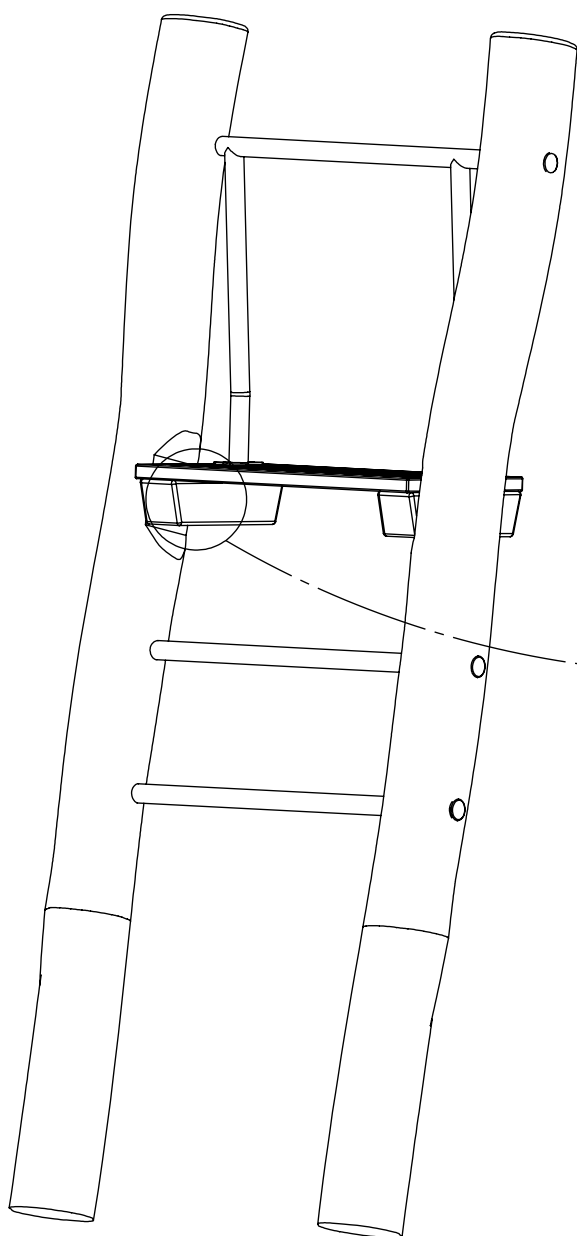
4x 8x50sxi

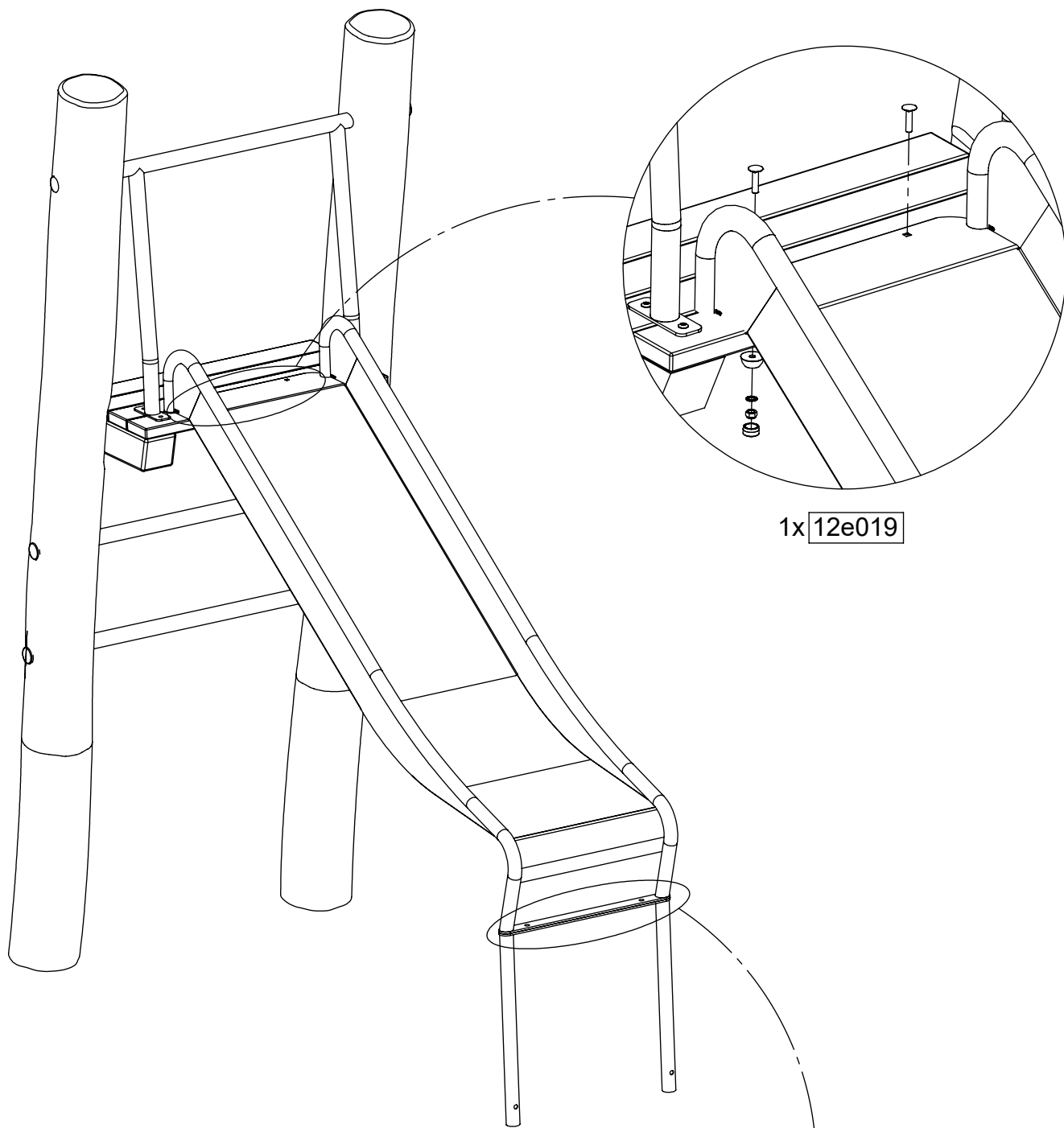
[cm]

vinci  
play

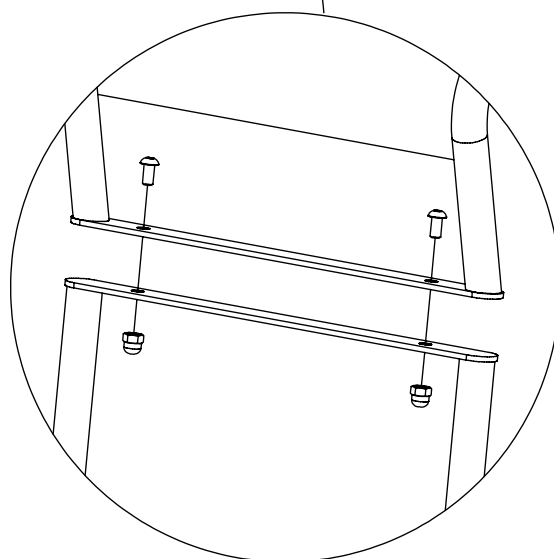


6x 8x160sxt





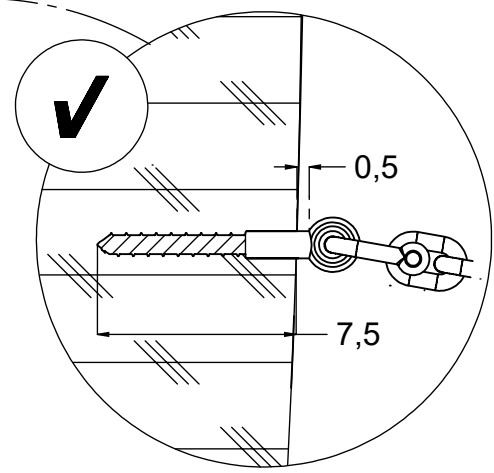
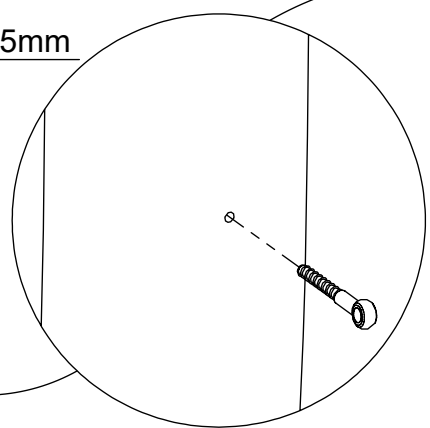
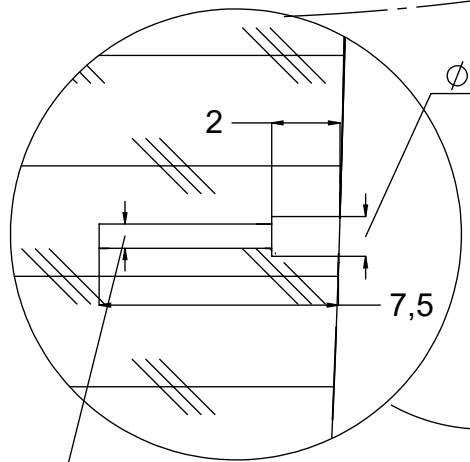
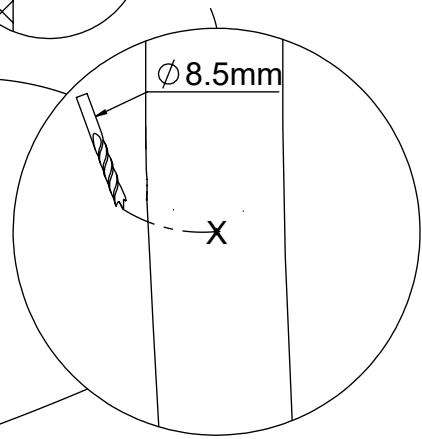
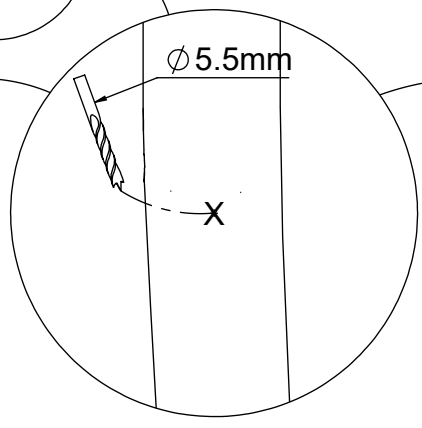
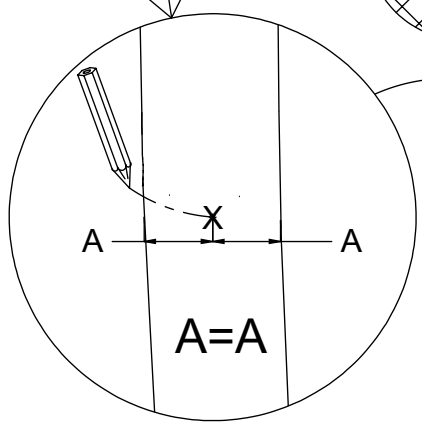
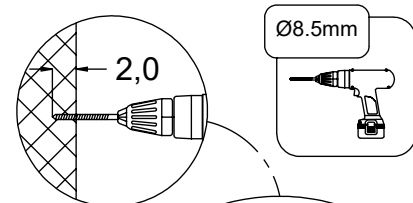
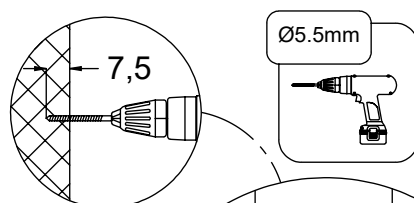
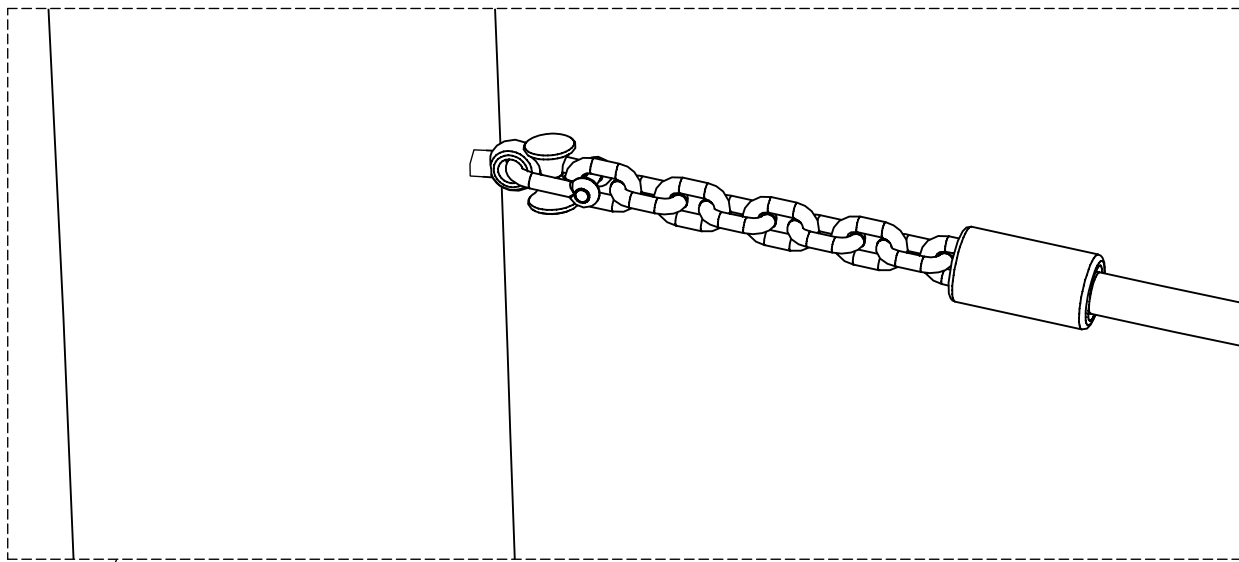
1x 12e019



1x 12e030

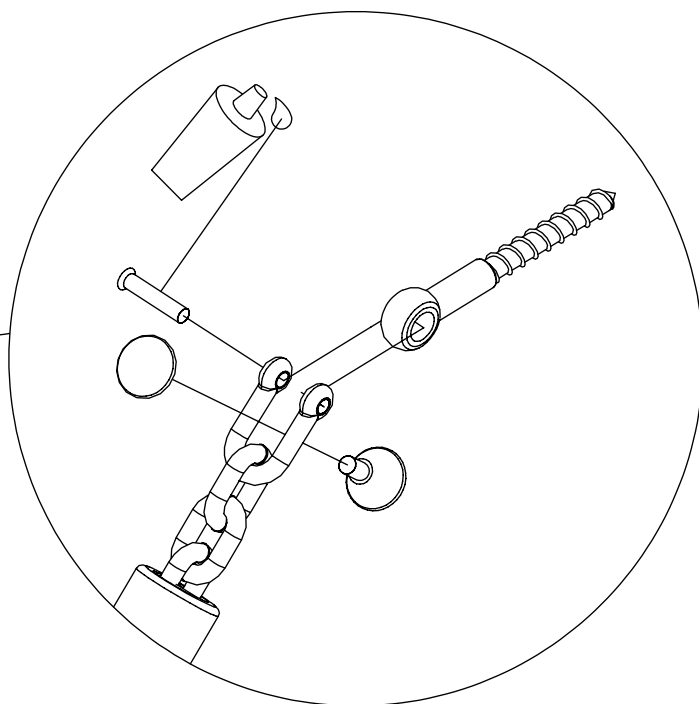
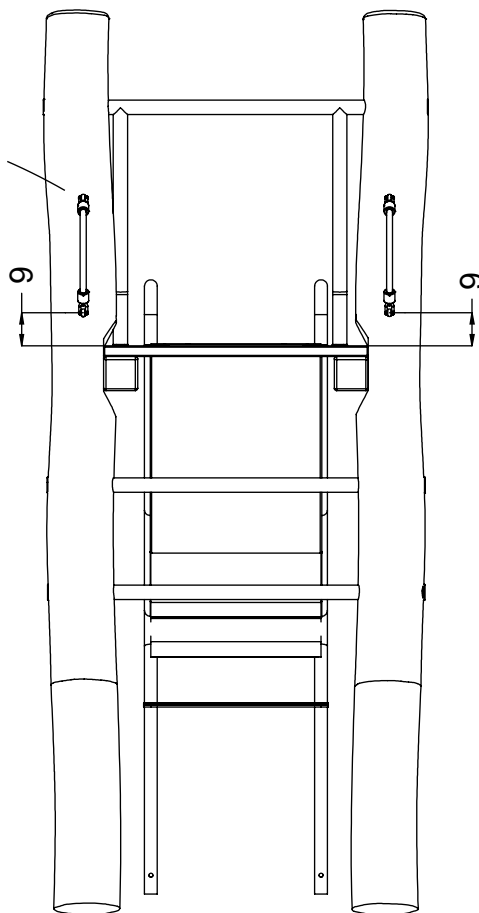
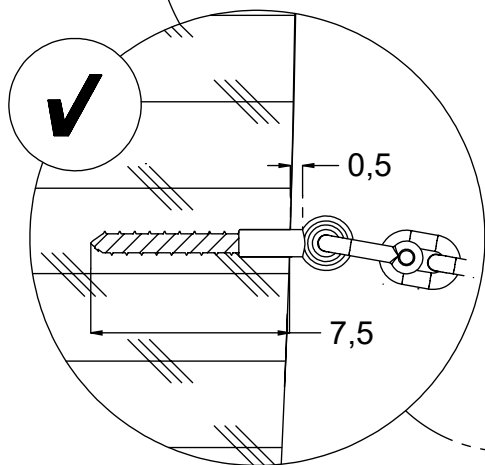
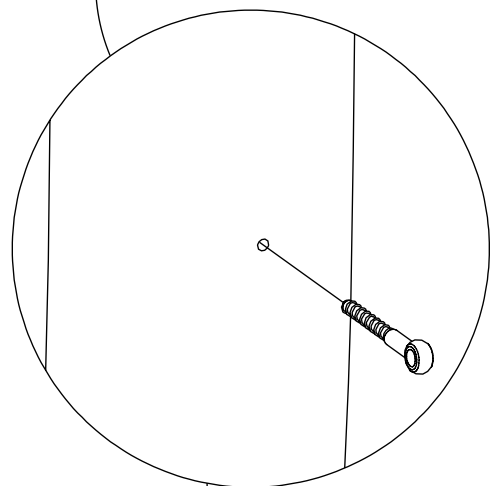
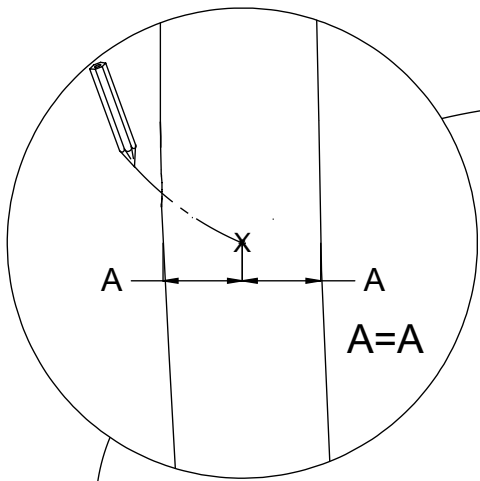
[cm]

vinci  
play



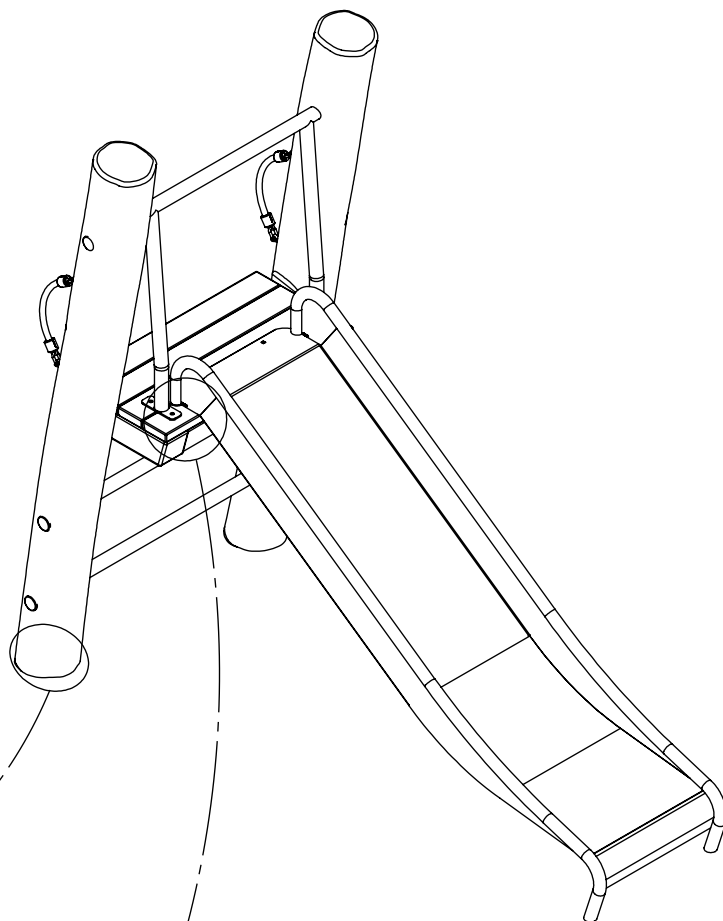
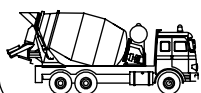
[cm]

vinci  
play

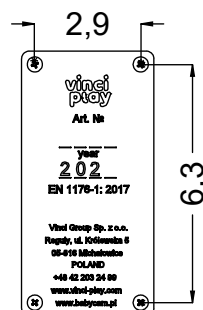
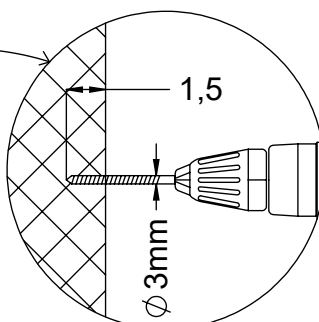
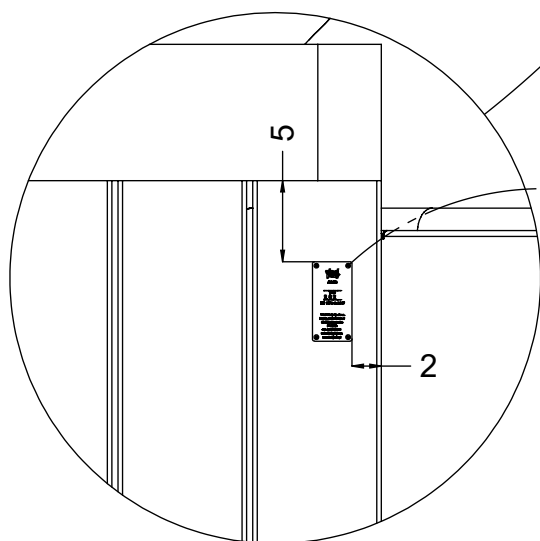


2x 12e007

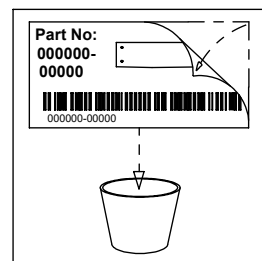
48h



0,00



V001



[cm]

vinci  
play