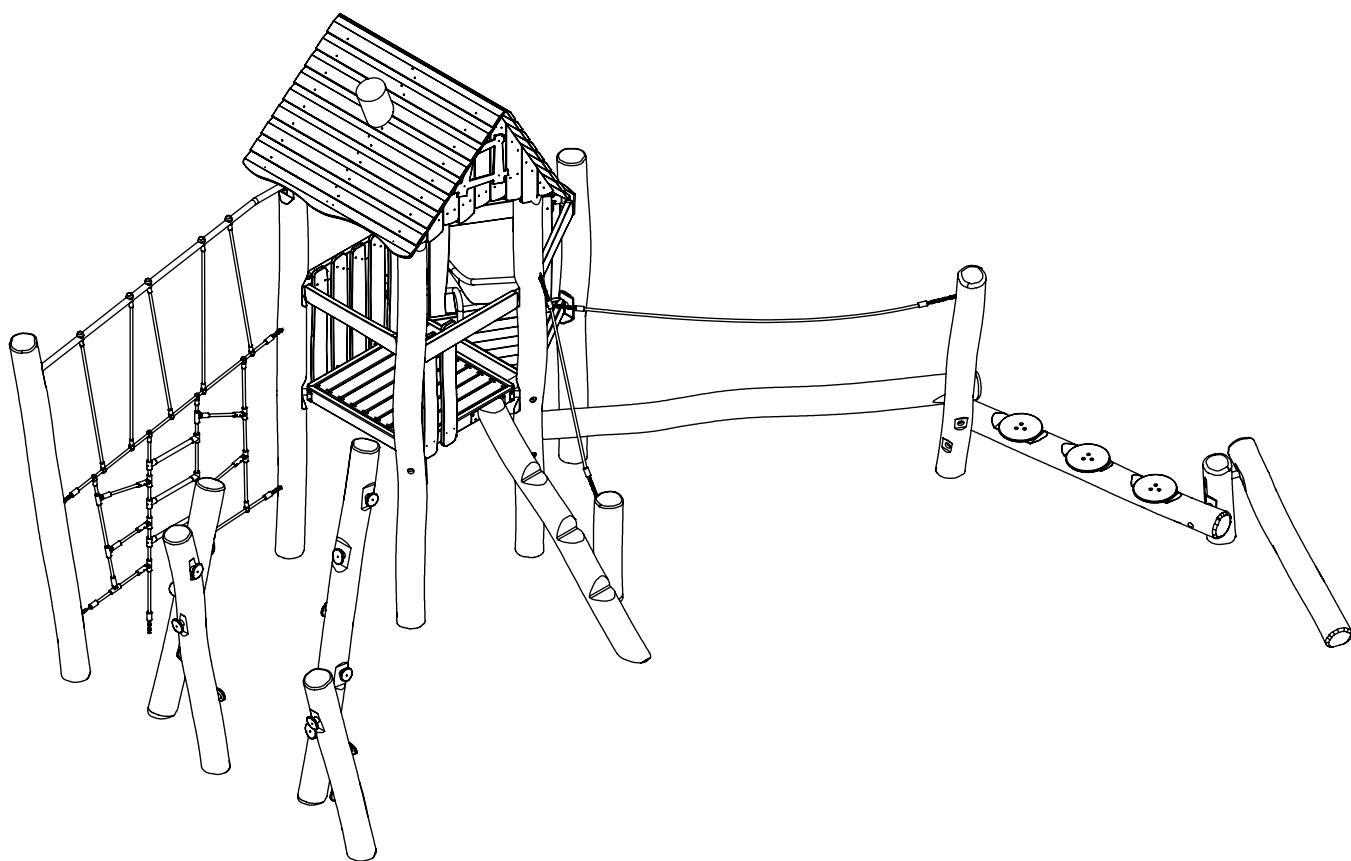


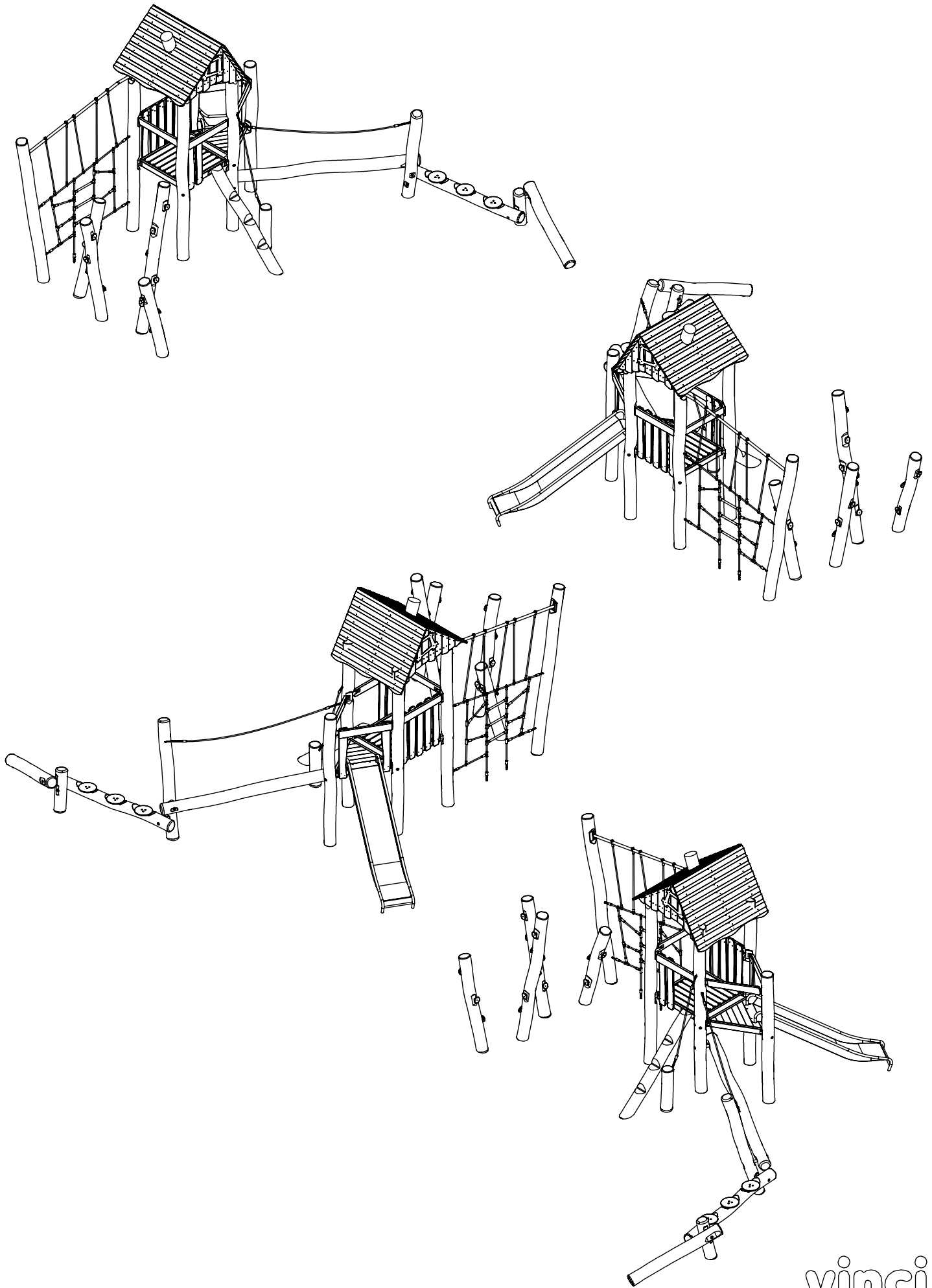
RB1216



EN 1176	x2	8h	238 HIC		48h 	K1 x6 >0.06m ³	K29 x13 >0.06m ³				
Ø3	Ø3,5	Ø4	Ø5,5	Ø8.5	Ø24	3	4	5	13	19	24

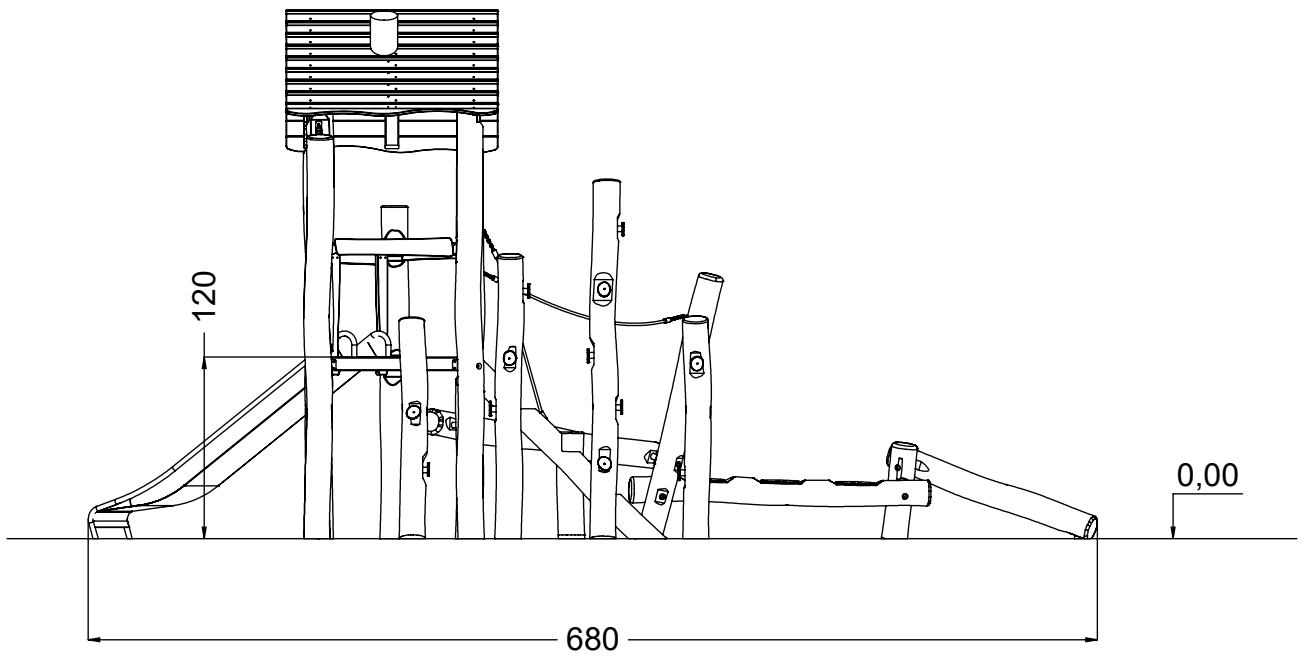
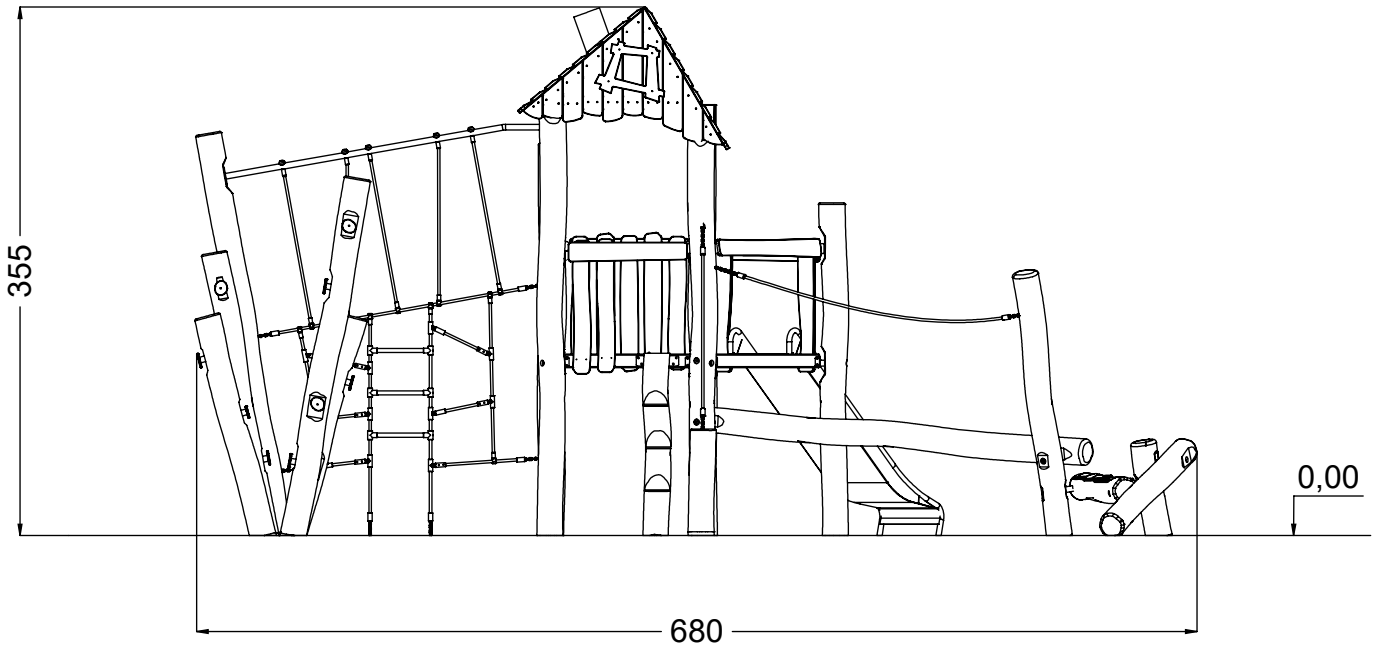
v012
18.02.2022
D. P.
[cm]

vinci
play



[cm]

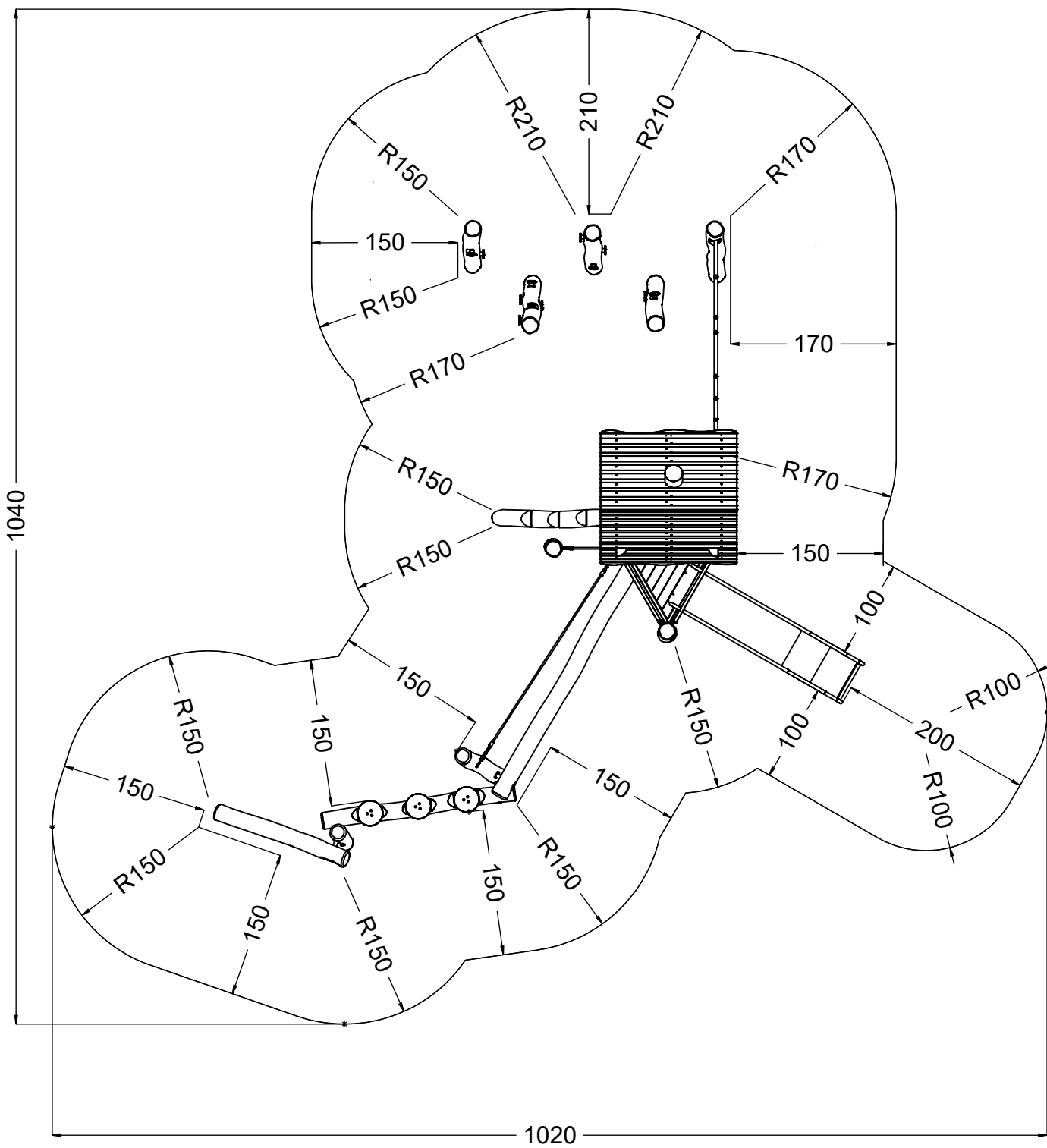
vinci
play



[cm]



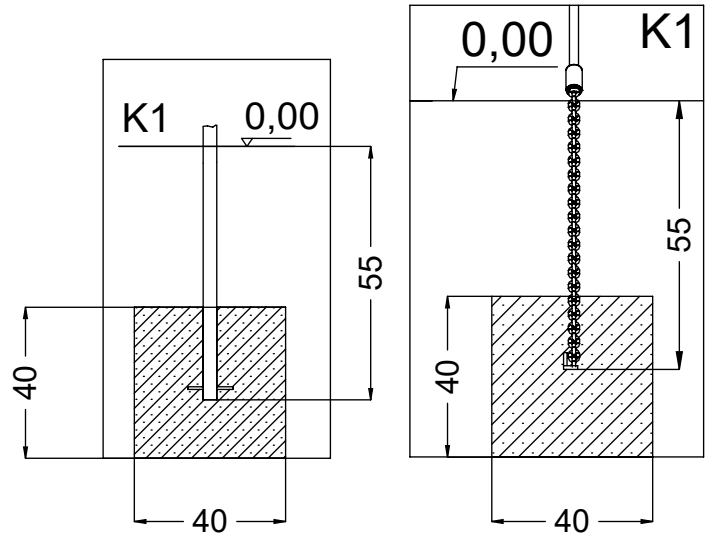
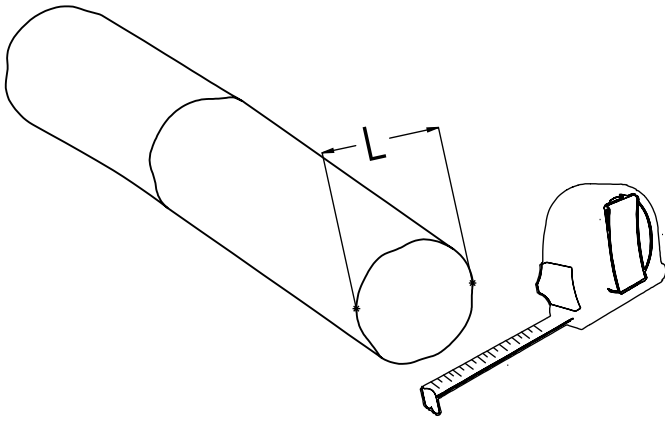
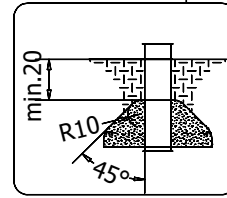
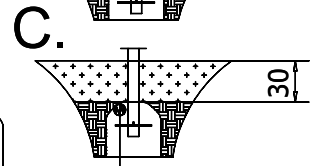
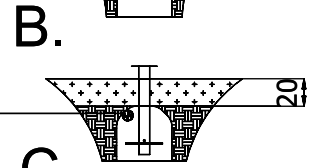
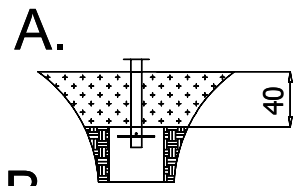
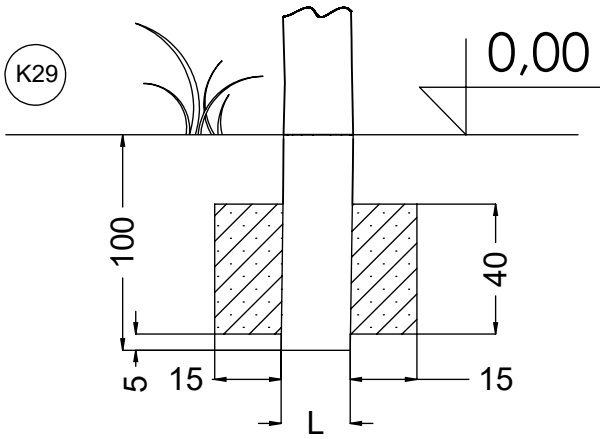
vinci
play



[cm]



vinci
play



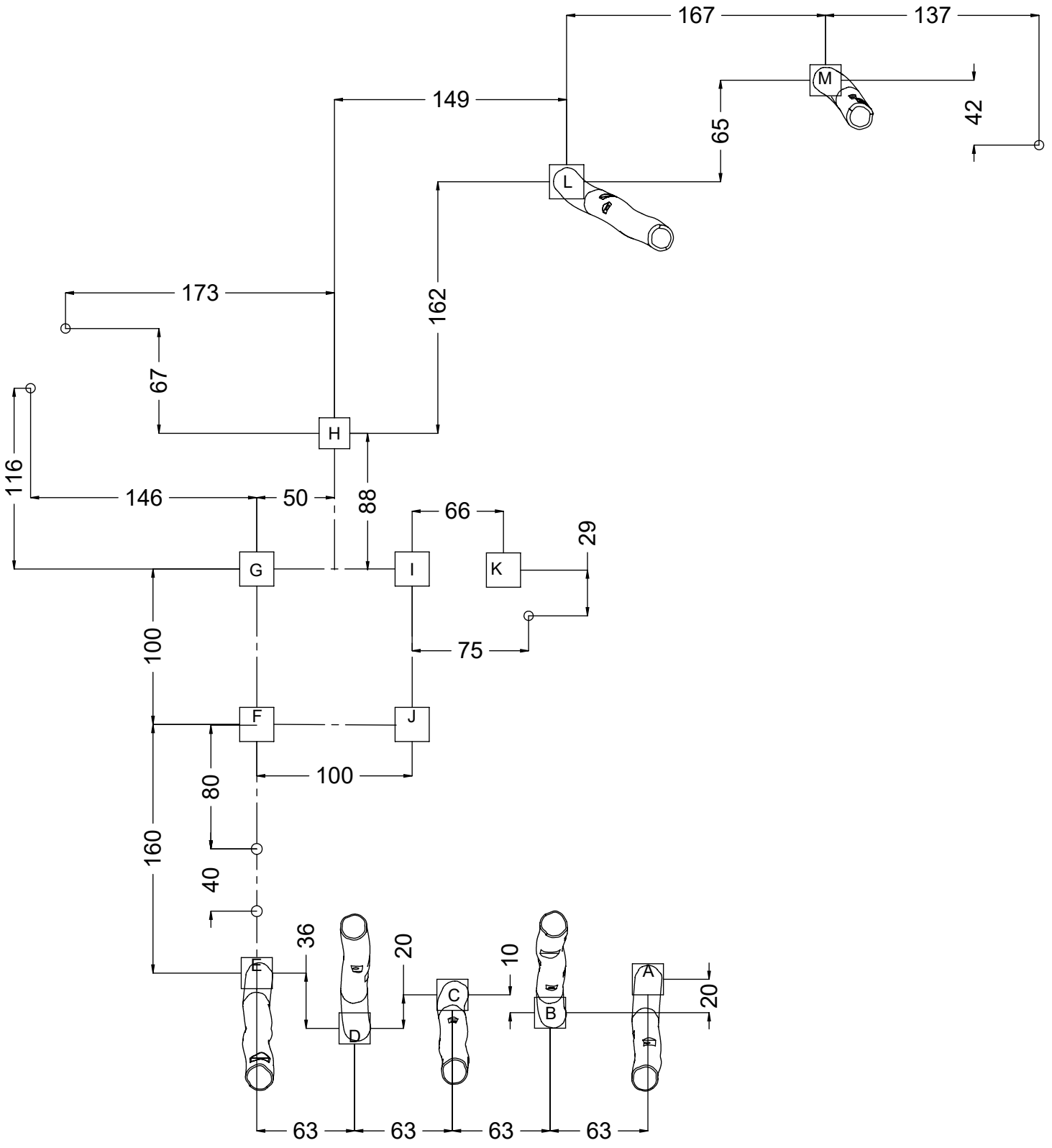
[cm]



8h



vinci
play



[cm]

 x2	8h			48h	K29 x13 >0.06m ³	K1 x6 >0.06m ³
--	----	---	---	-----	-----------------------------------	---------------------------------

vinci
play



127328 A

x1



127329 B

x1



127330 C

x1



127331 D

x1



127142 E

x1



127260 F

x1



127261 G

x1



127262 H

x1



127263 I

x1



127264 J

x1



127332 K

x1



127279 L

x1



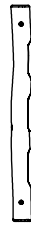
127277 M

x1



127266

x1



127276

x1



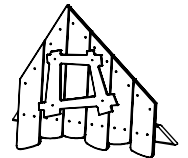
127278

x1



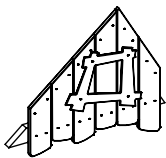
127505

x1



124132

x1



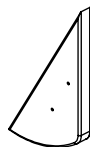
124135

x1



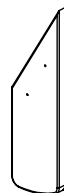
128238
128126

x1



128229
128117

x1



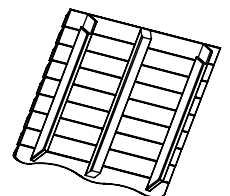
128230
128118

x1



128237
128125

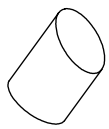
x1



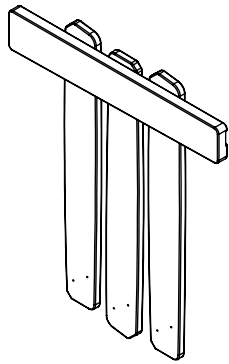
124133

x2

vinci
play



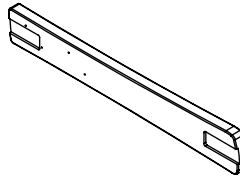
128172
x1



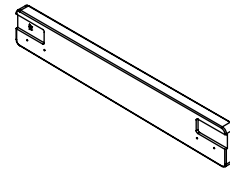
124104
x1



128181
x4



128197
x1



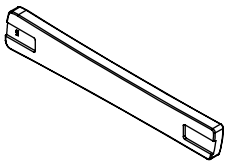
128107
x1



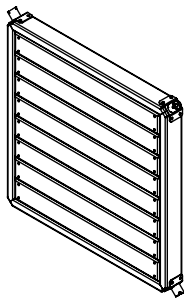
128103
x1



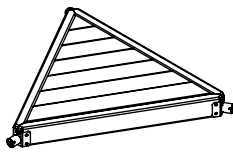
128178
x1



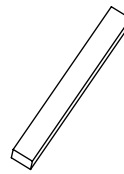
128168
x2



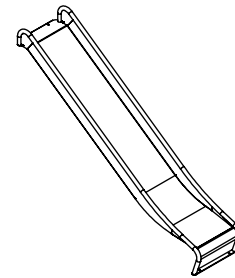
124100
x1



124108
x1

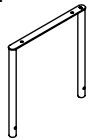


128176
x1



994171
x1

K1



992161
x1

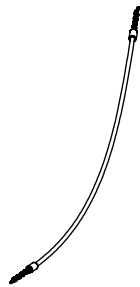
K1



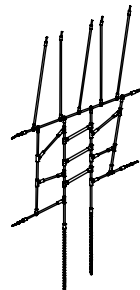
082112
x2



122111
x1



125102
x1



125124
x1



125131
x1

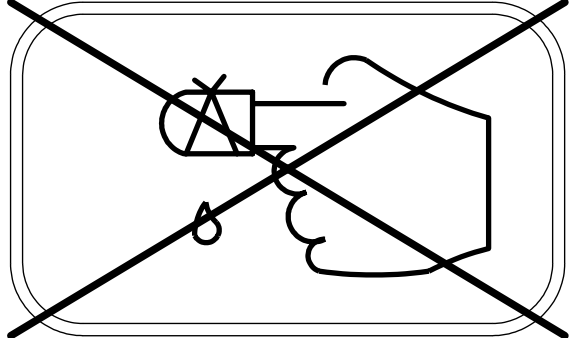
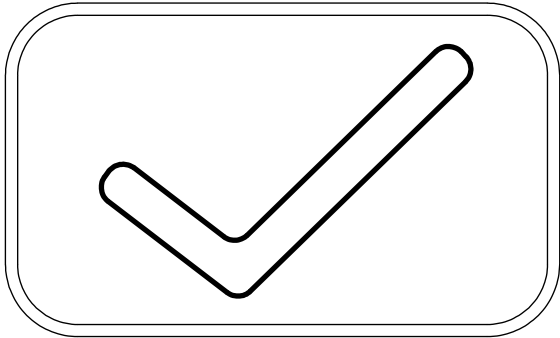
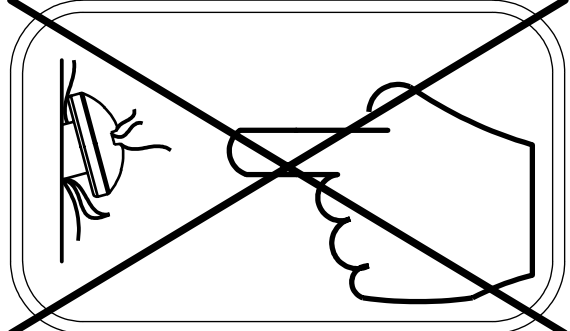
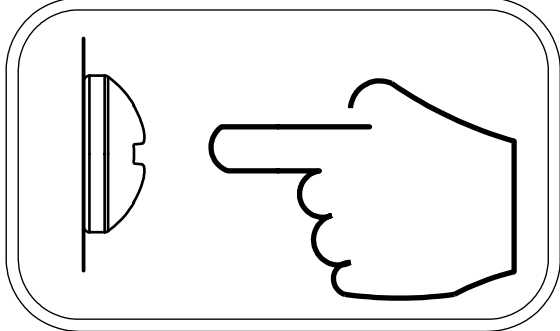
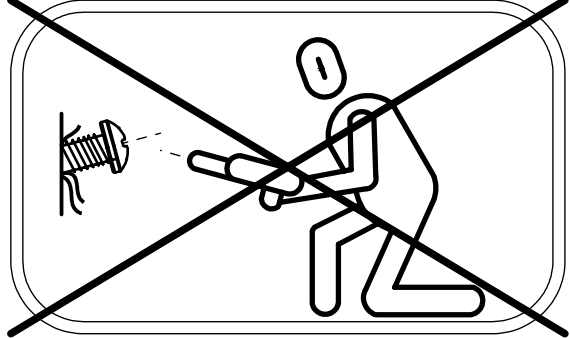
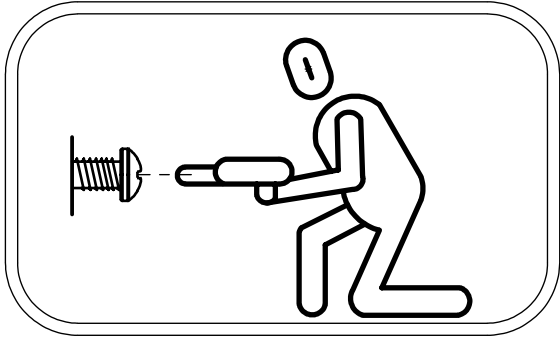


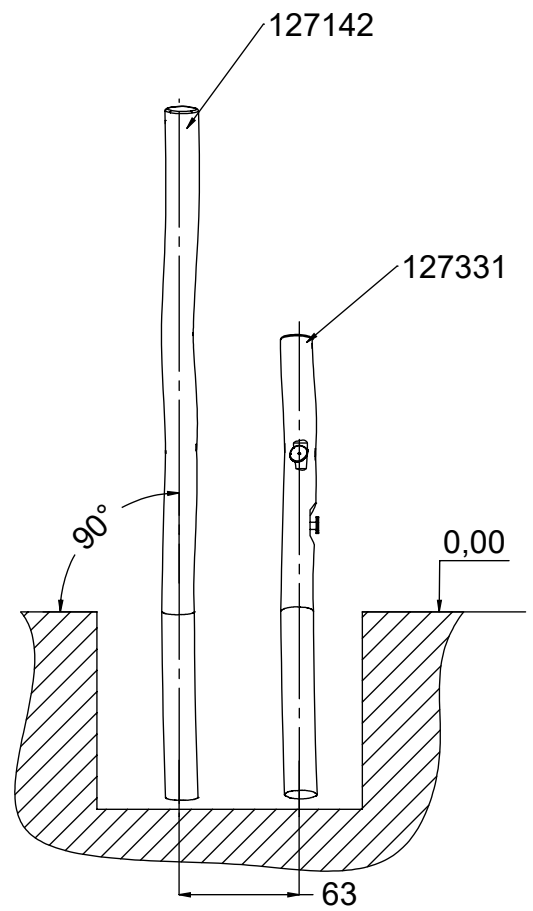
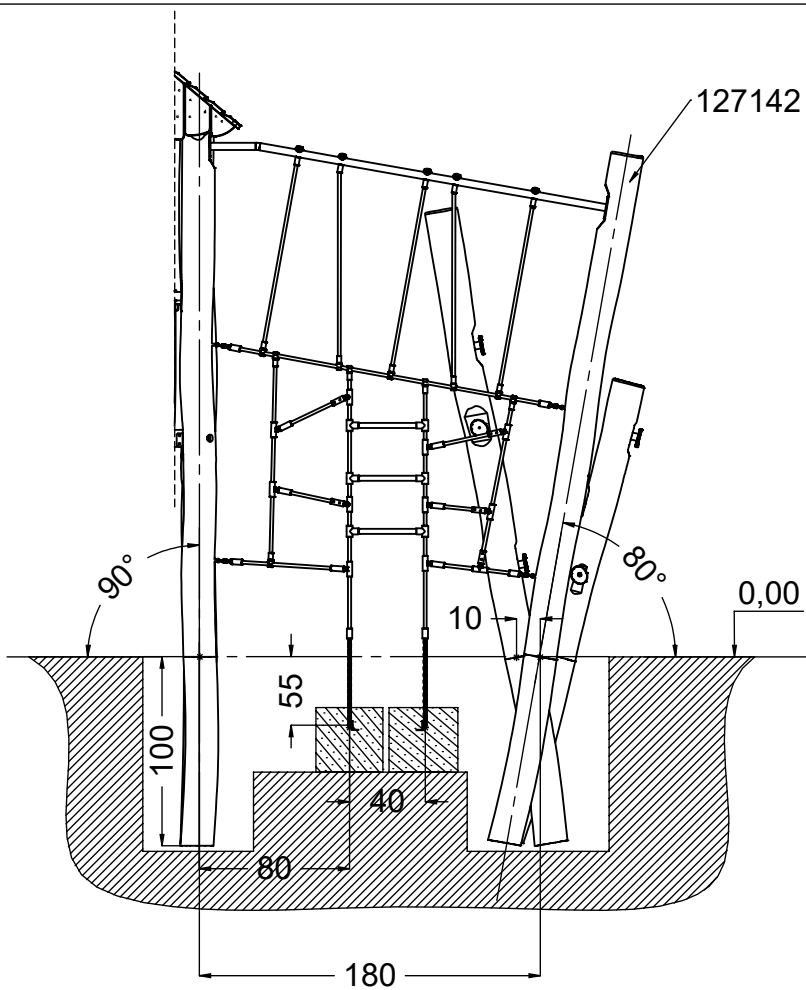
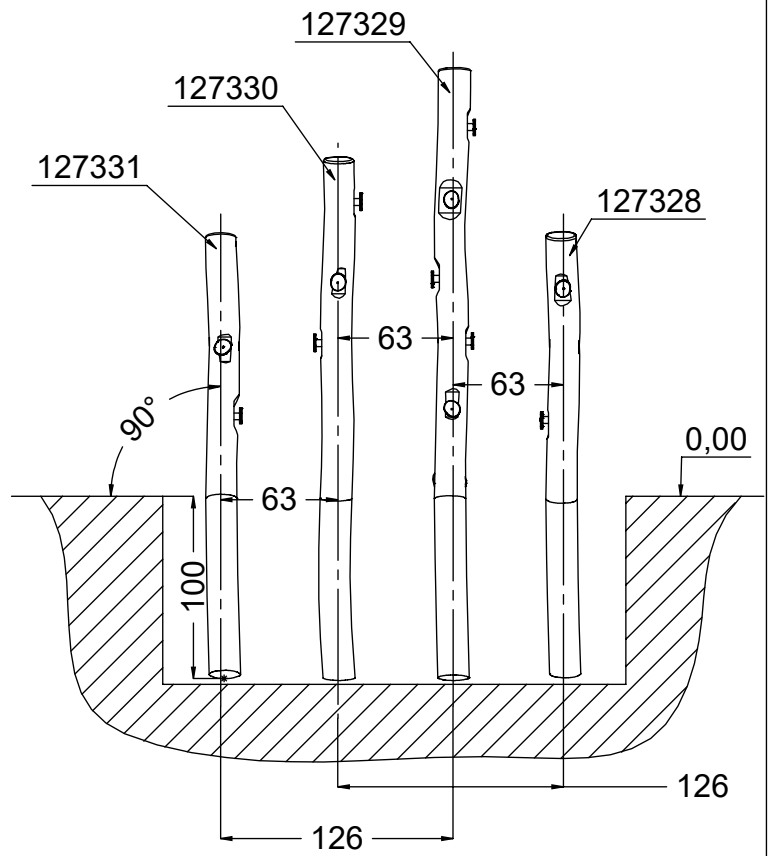
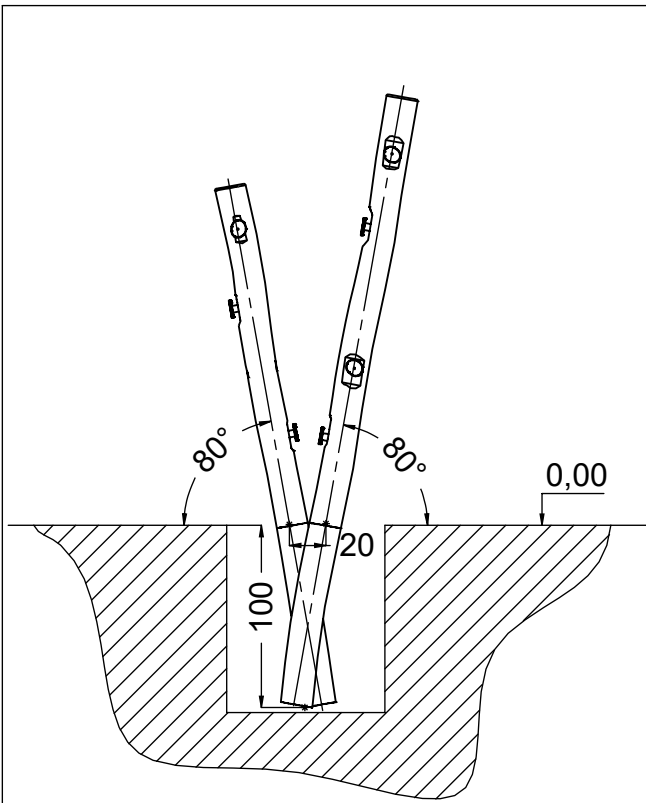
121103
x3

8x	7x35sxi
72x	5x50sxs
7x	5x80sxs
13x	8x80sxt
27x	8x50sxi
30x	5x30sxs
19x	8x160sxt

1x	12e003
1x	12e004
4x	12e007
1x	12e019
2x	12e022
1x	12e027
1x	12e030
1x	12e035
2x	12e052
15x	121110
15x	123103
2x	b389
2x	b390
2x	b399
1x	b403
1x	b405
1x	GL
1x	V001

vinci
play

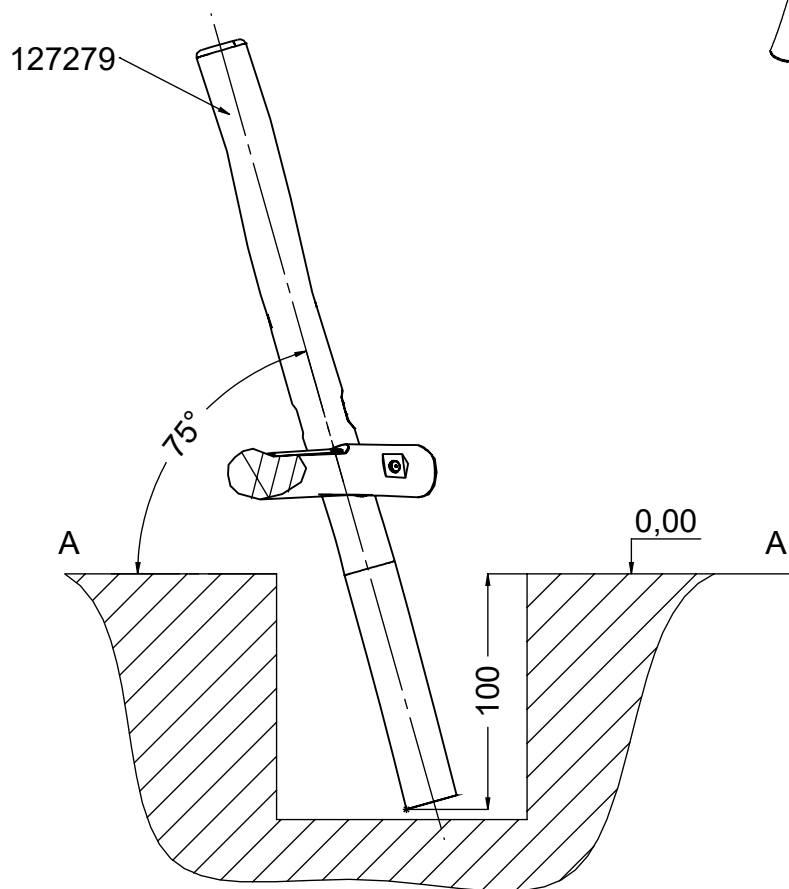
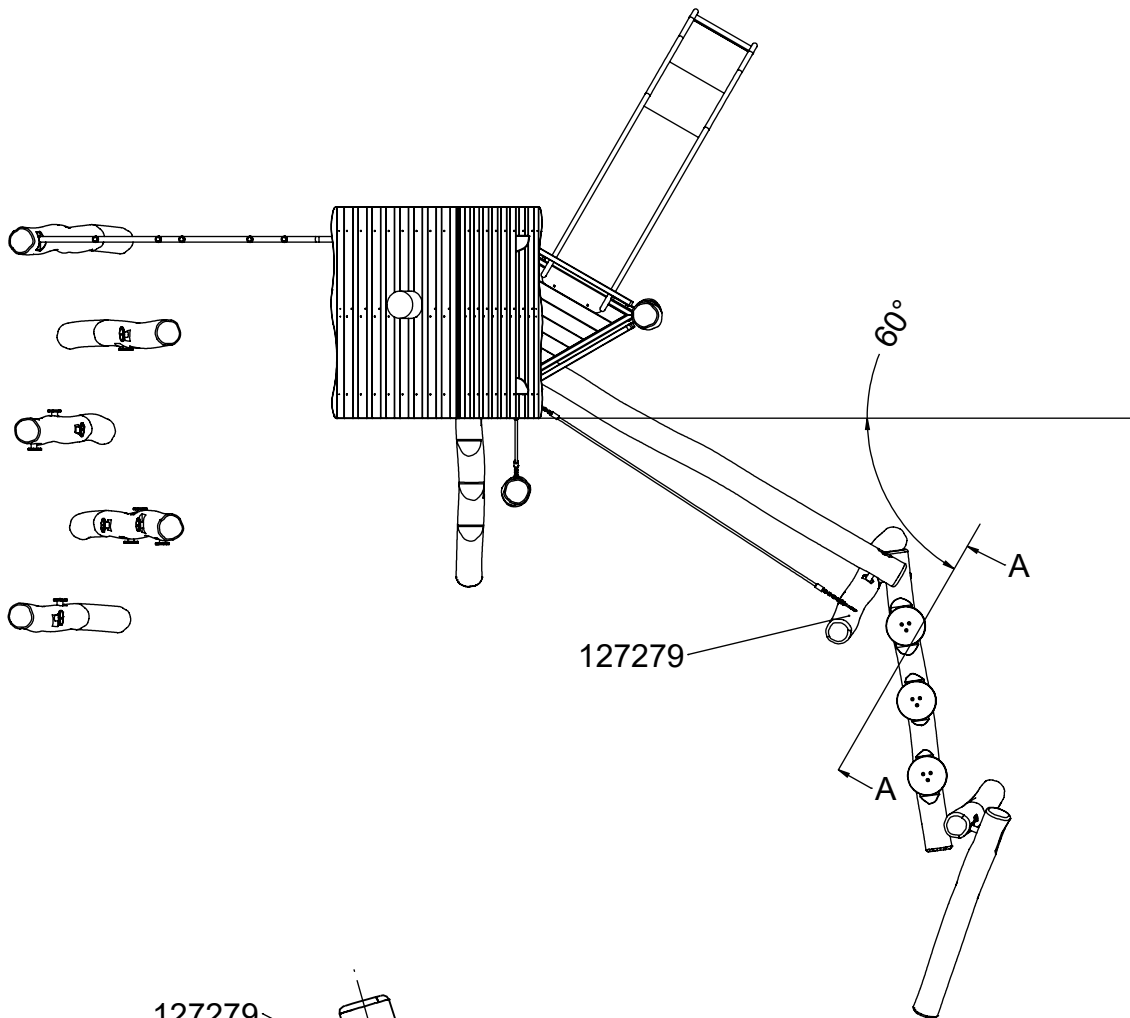




[cm]



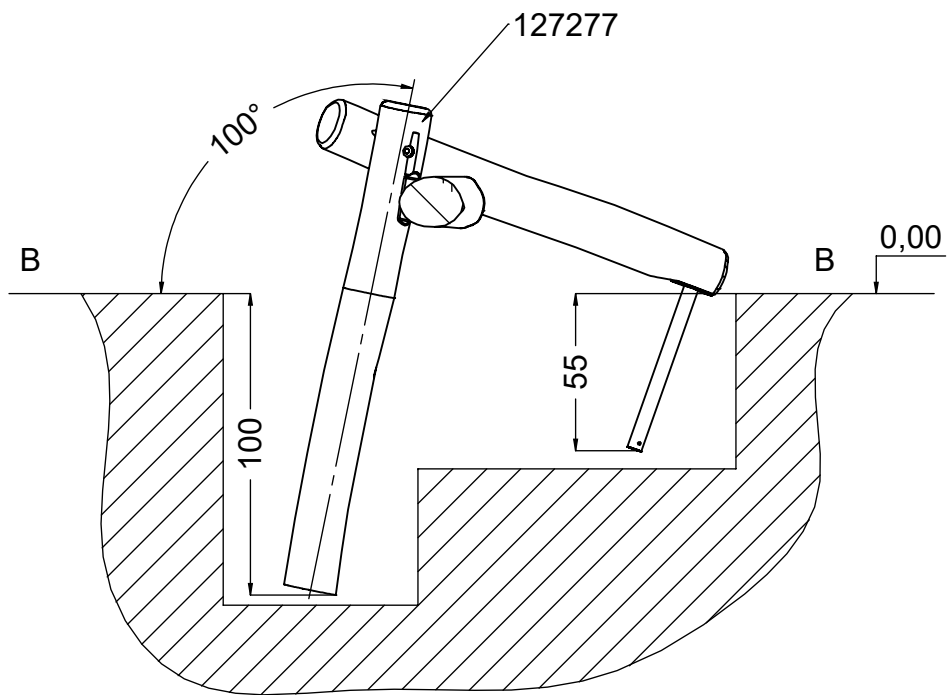
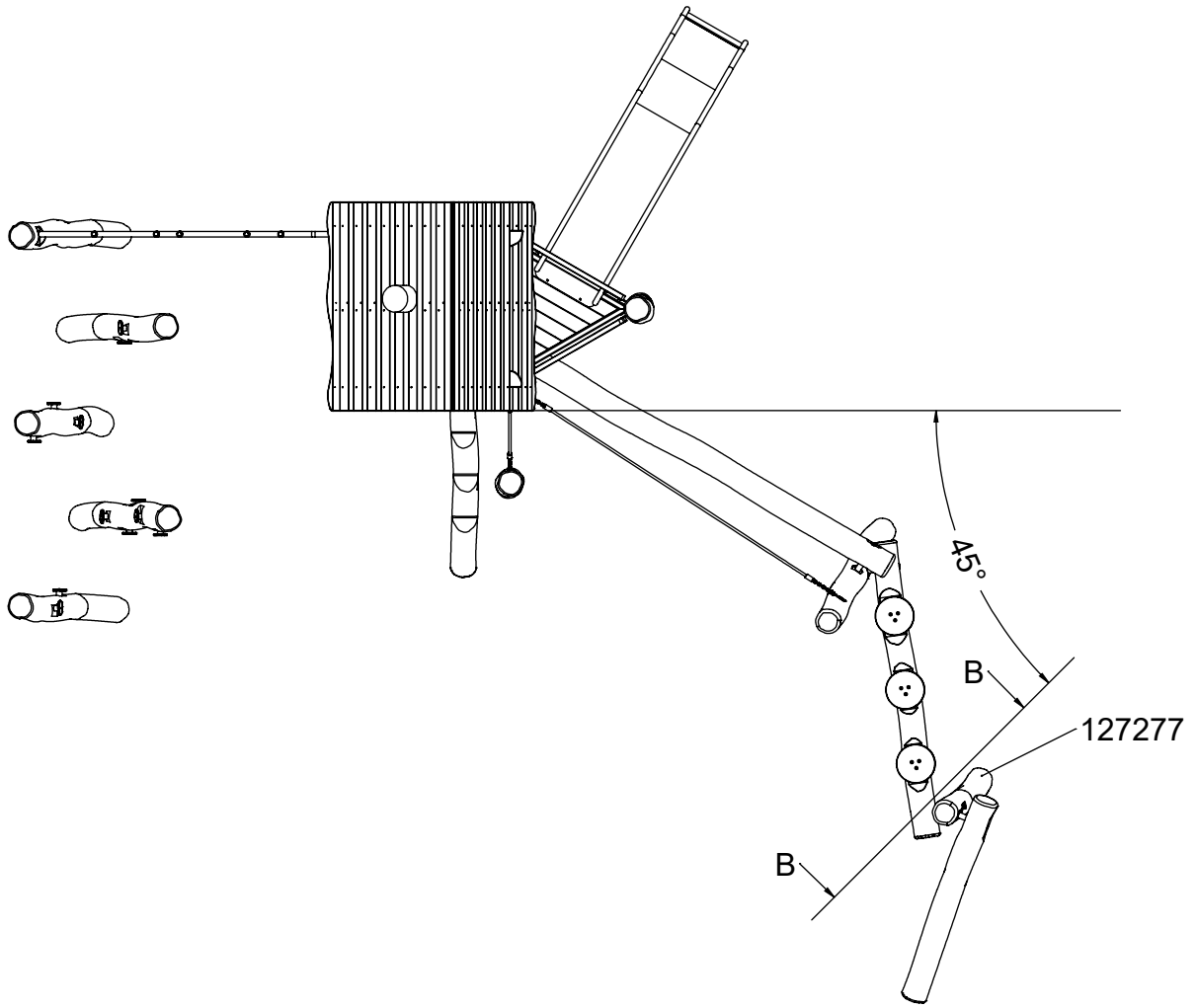
vinci
play



[cm]



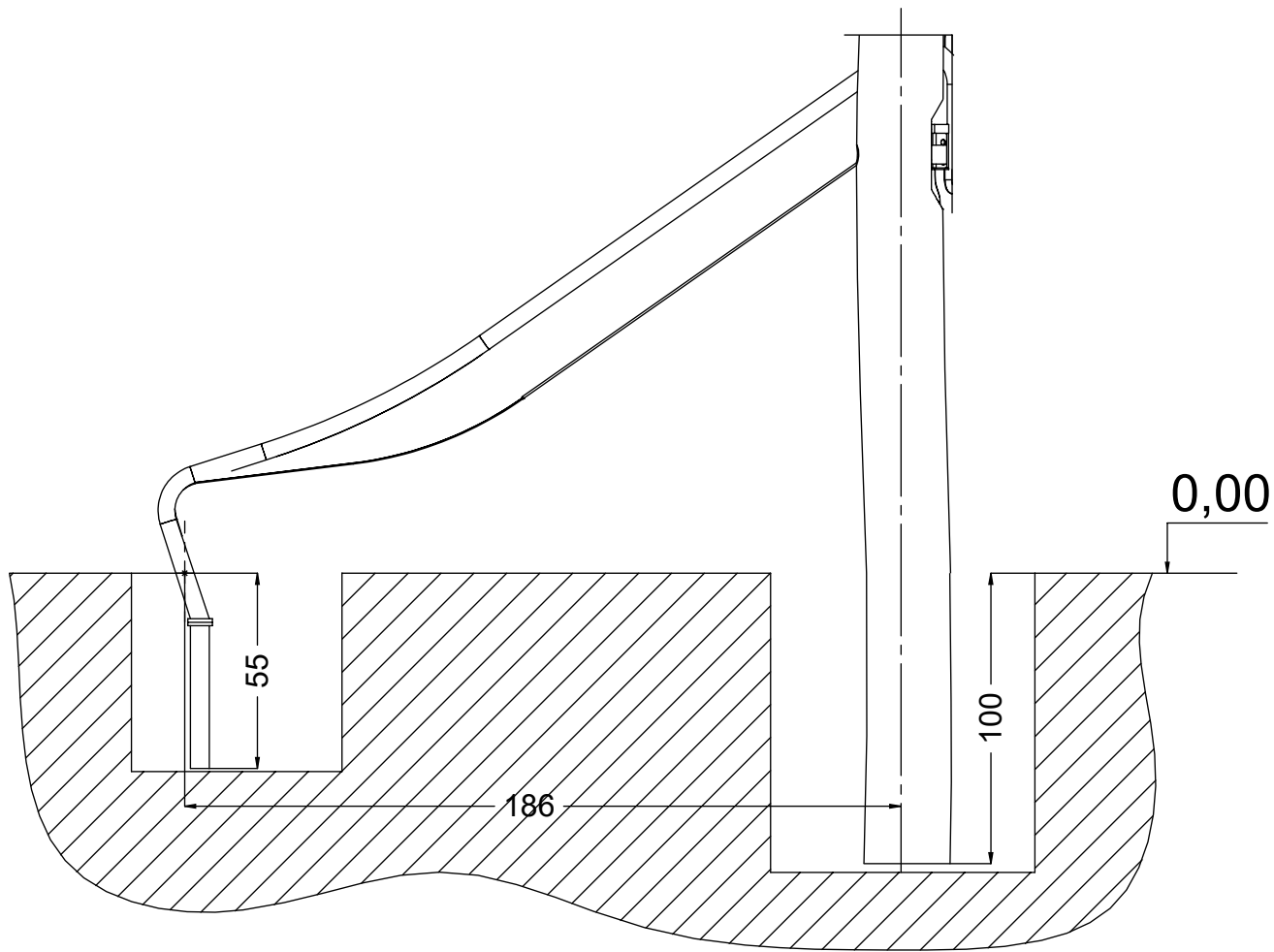
vinci
play



[cm]



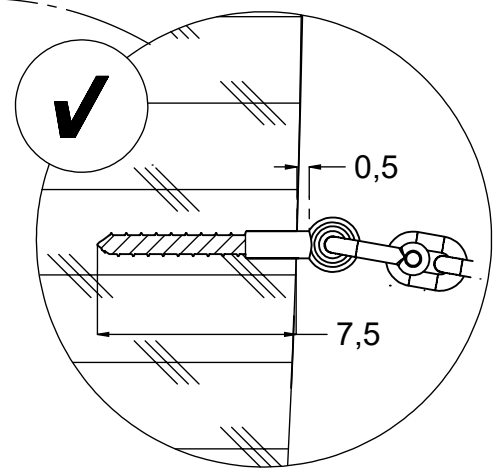
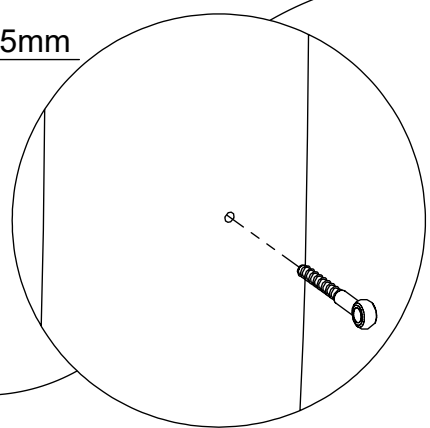
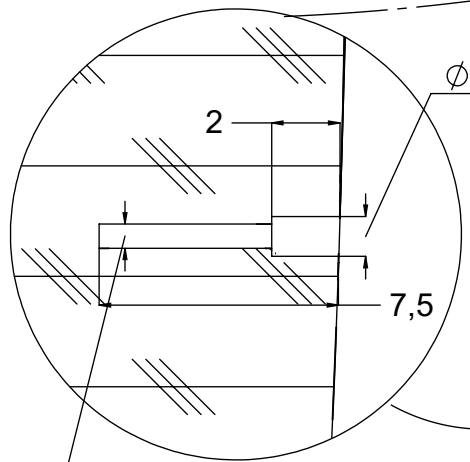
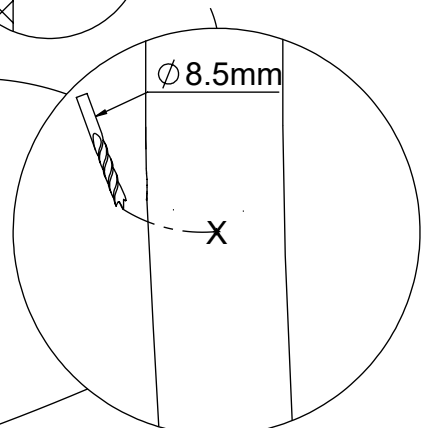
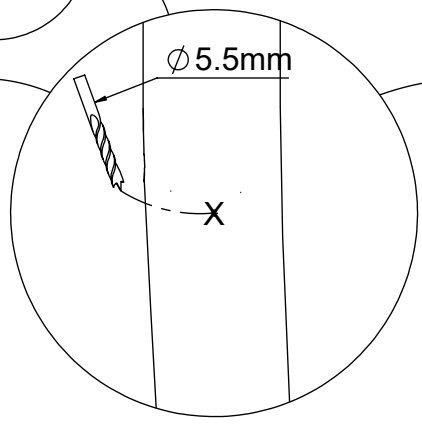
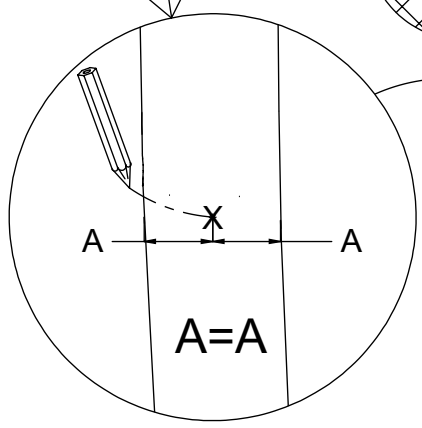
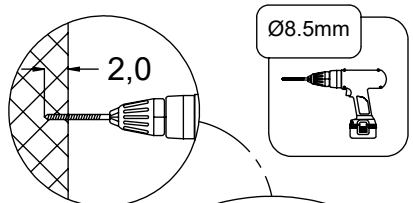
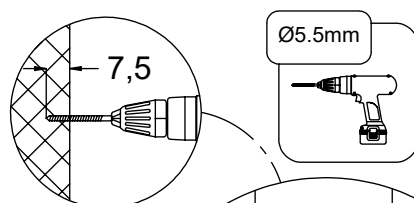
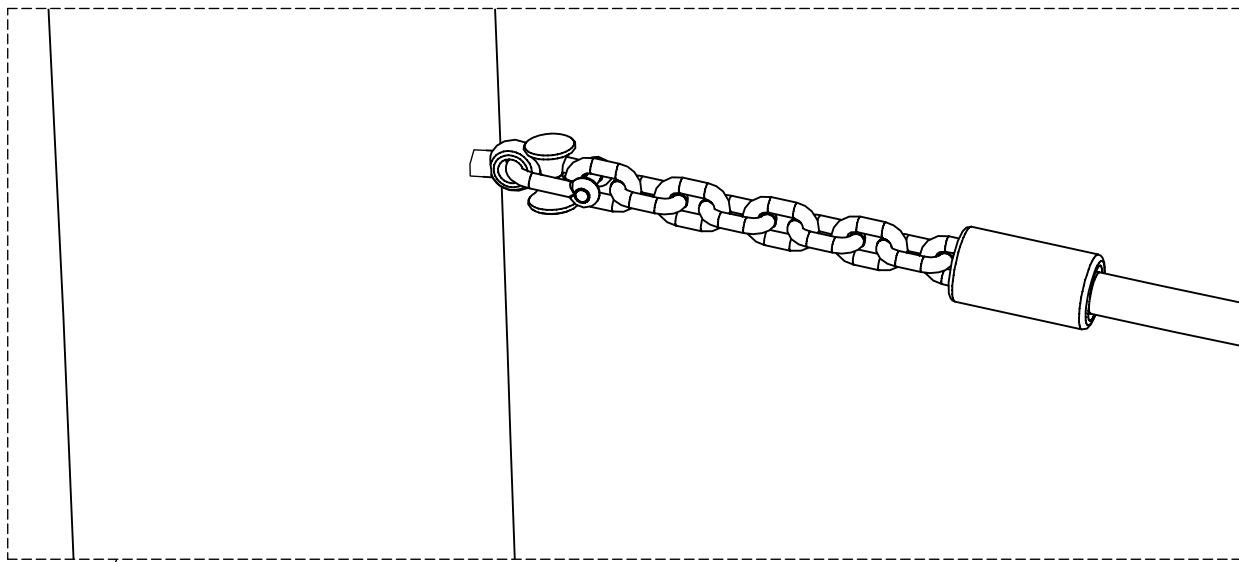
vinci
play



[cm]



vinci
play



Ø 5.5 mm

Ø 8.5mm

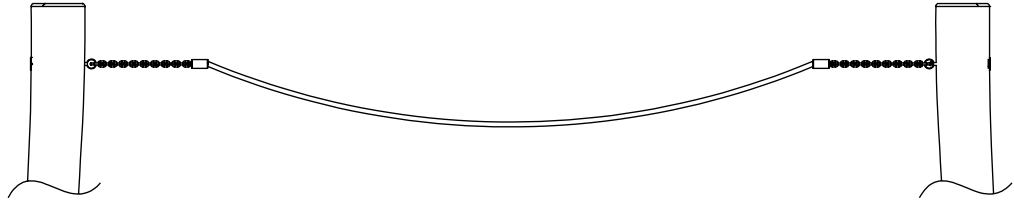
[cm]

vinci play

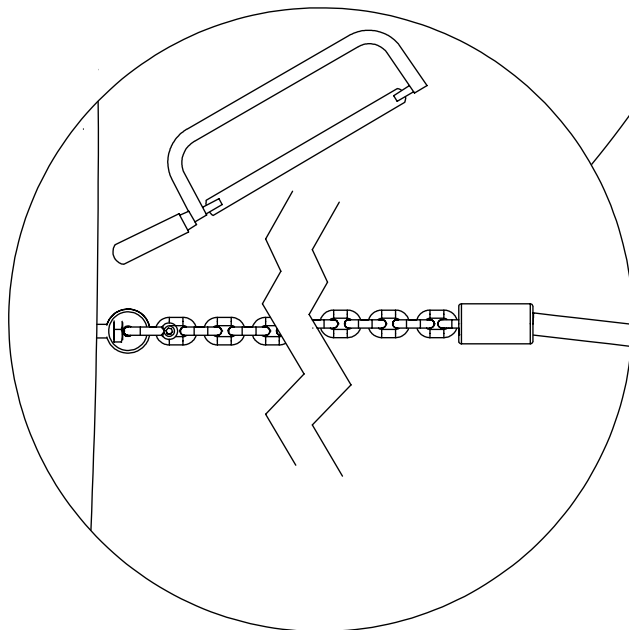
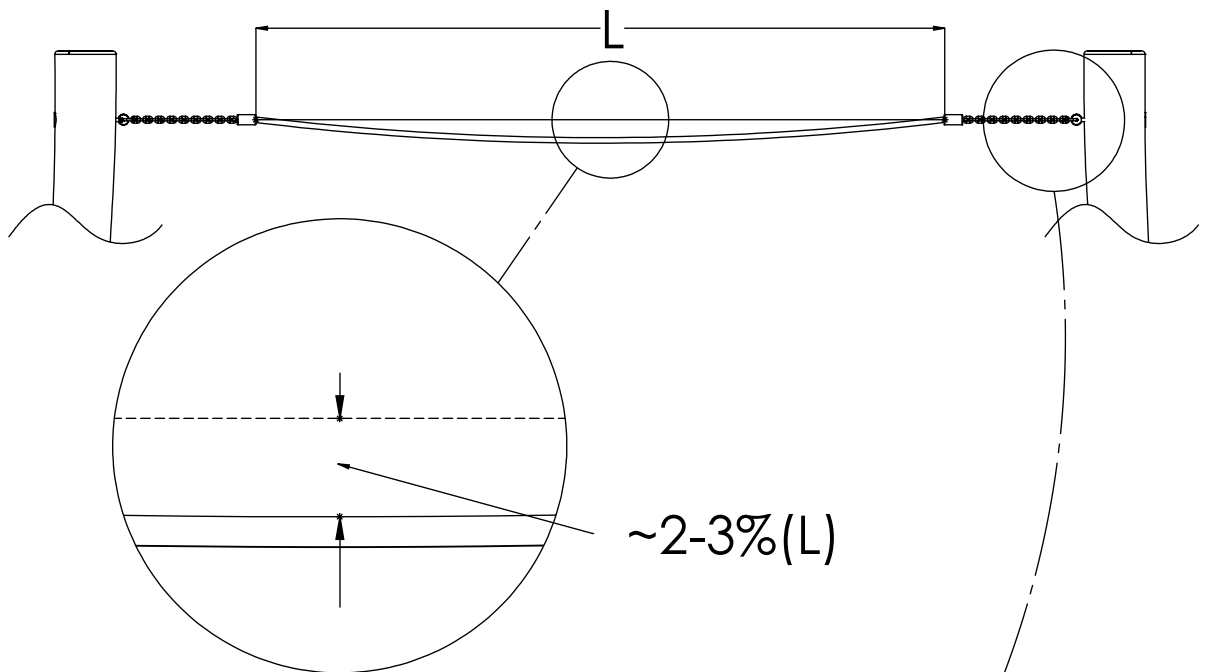
X

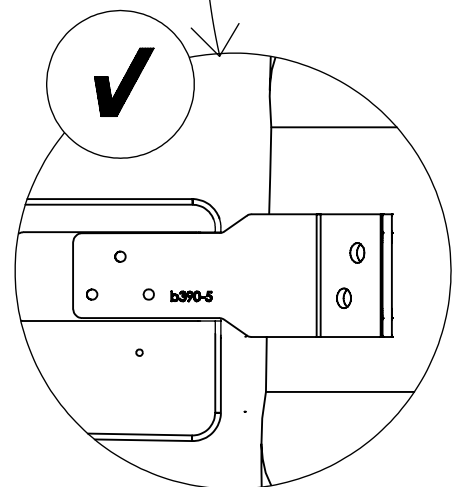
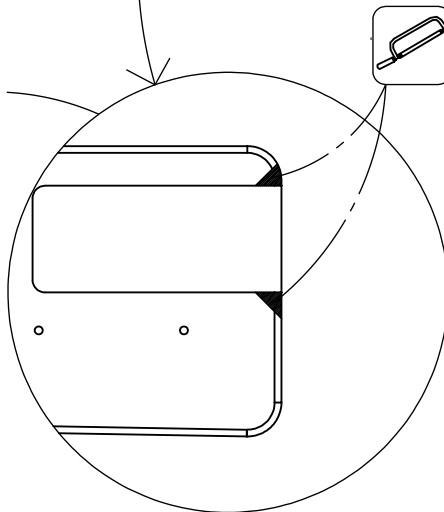
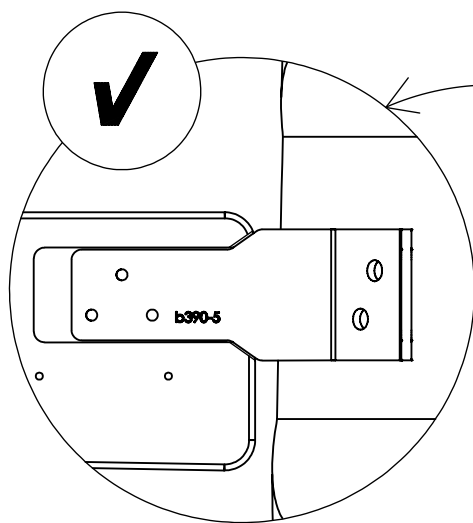
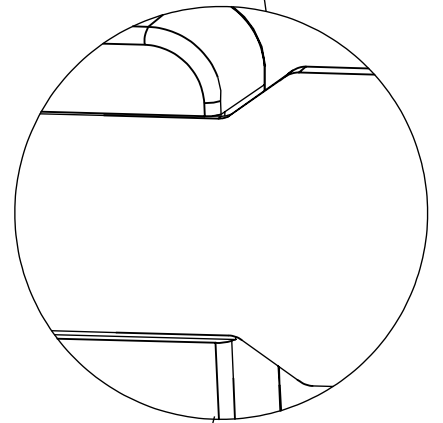
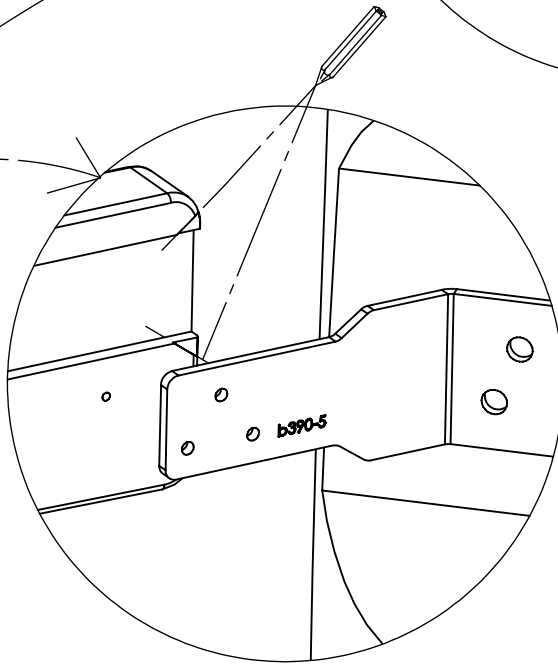
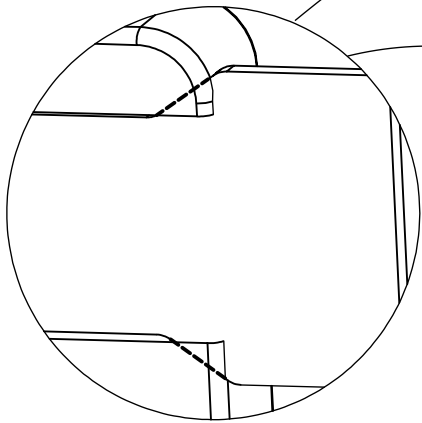
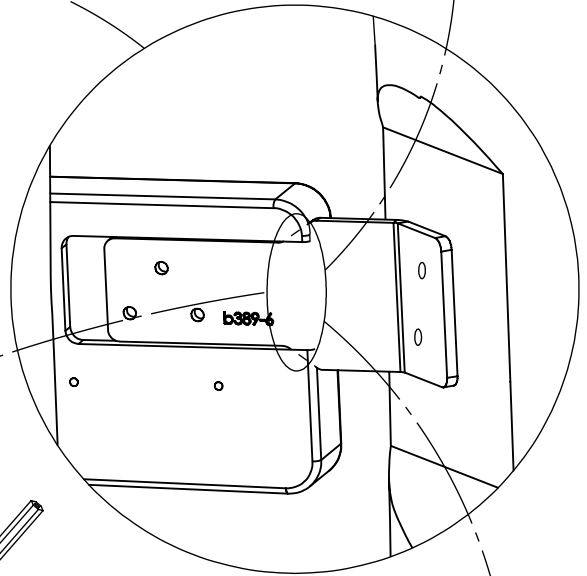
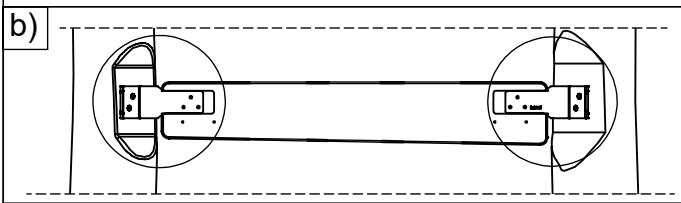
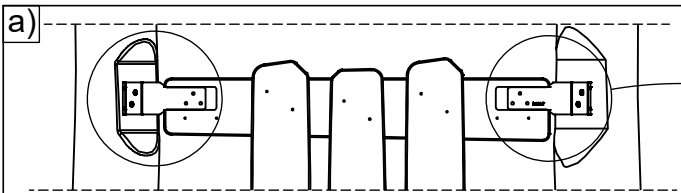


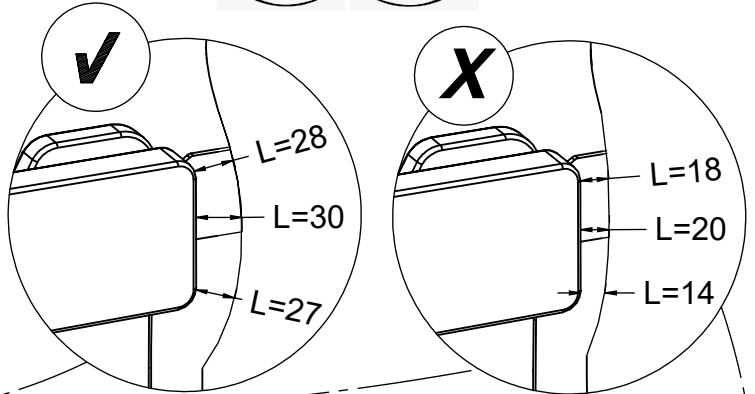
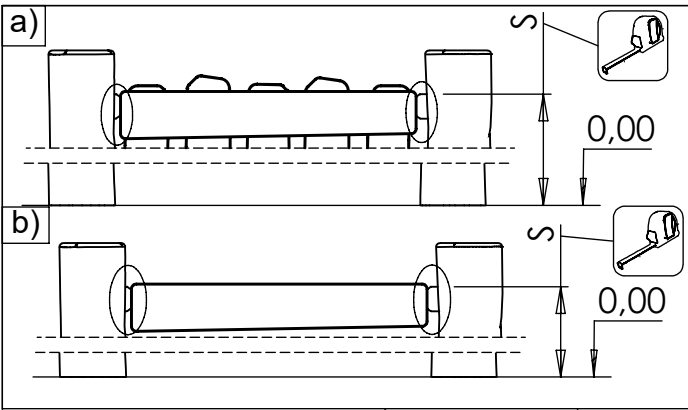
X



V



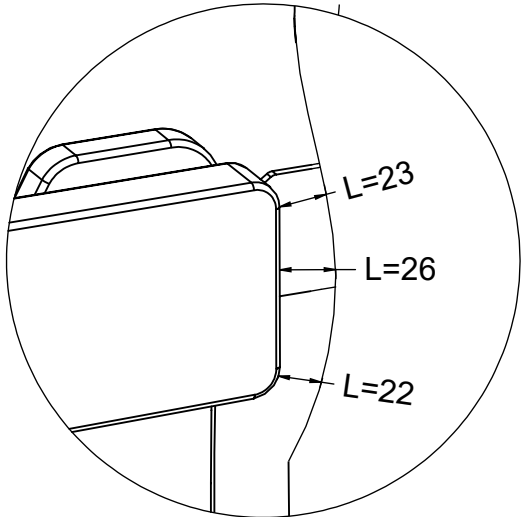




S < 97

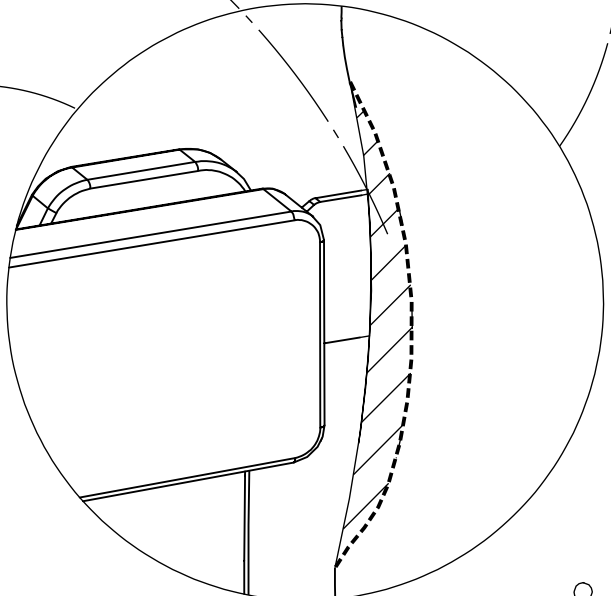
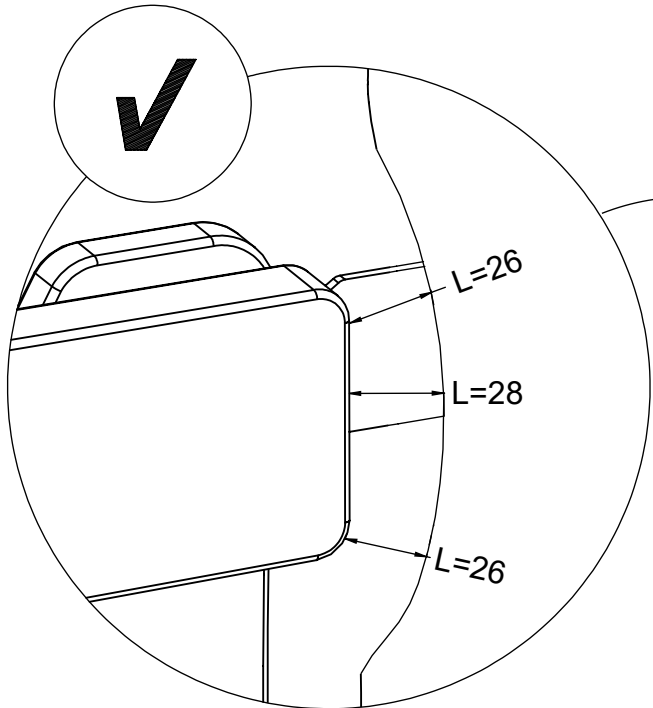
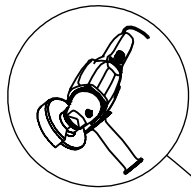
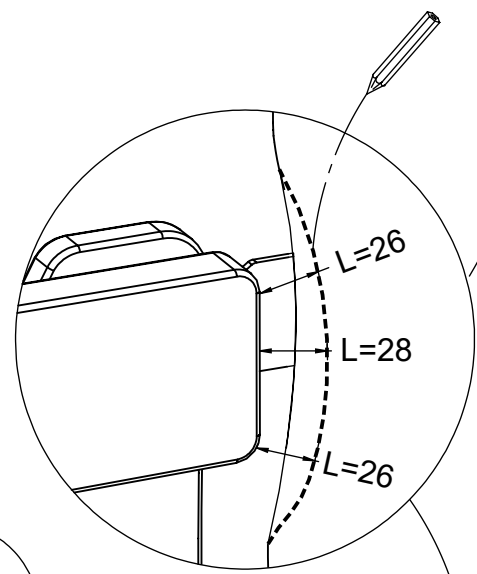
S > 97

L > 25mm **✓** L ≤ 25mm **X**



L > 25mm **✓**

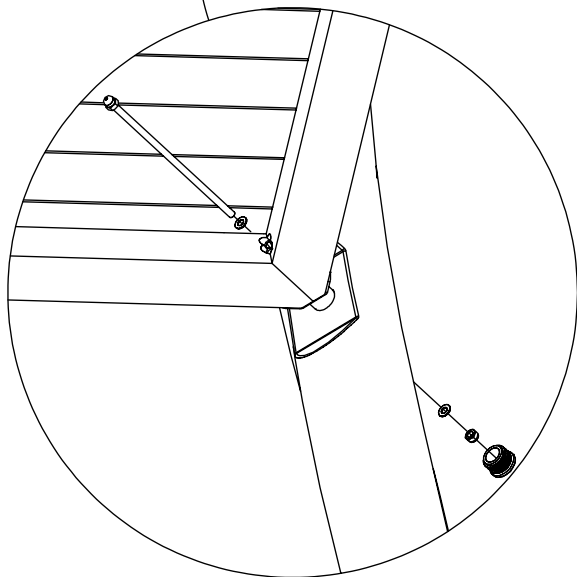
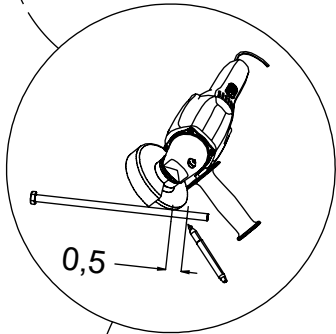
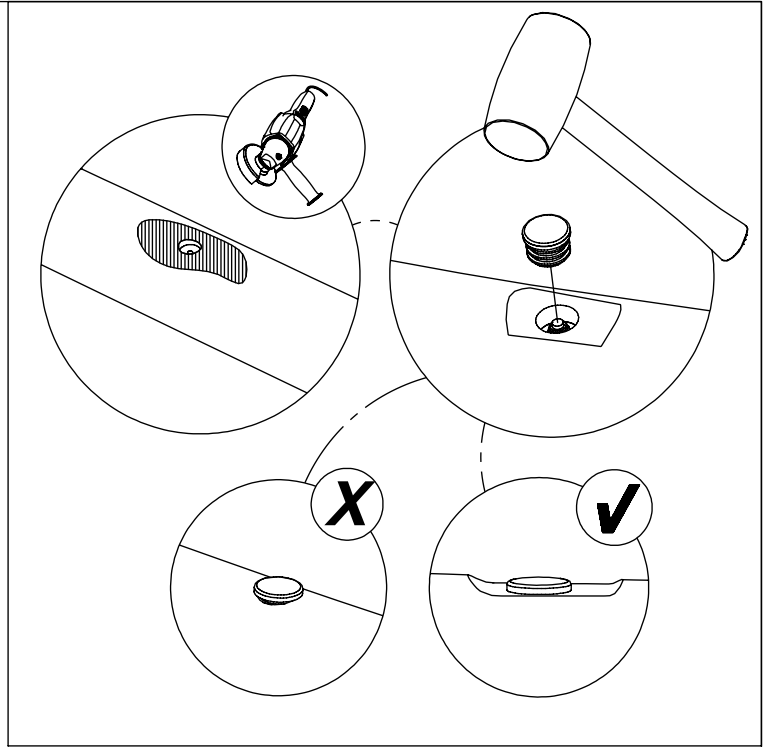
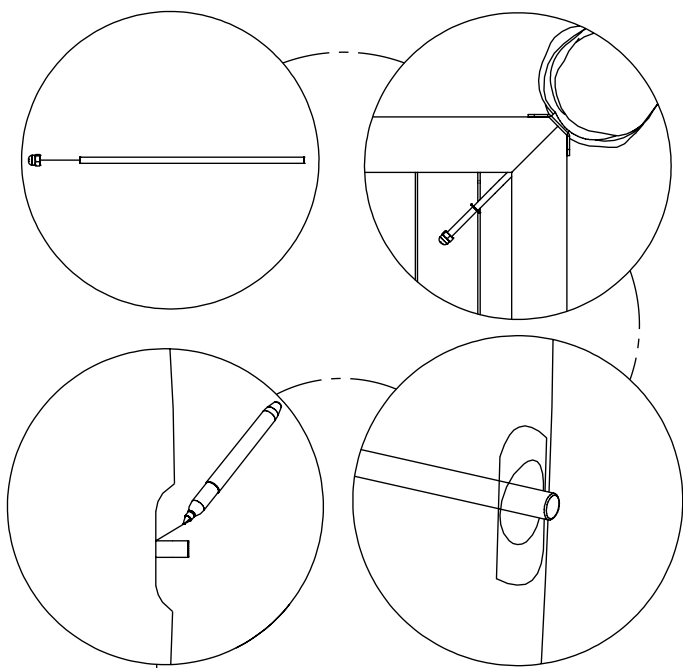
L ≤ 25mm **✓**



L > 25mm **✓** 

[cm]

vinci play

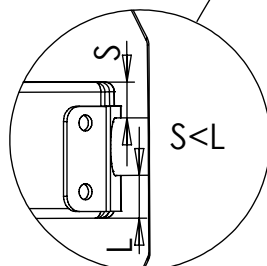
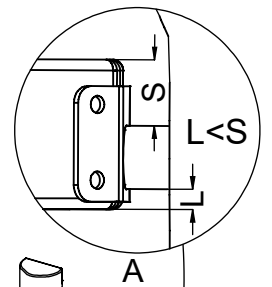


1x 12e004

127261

127260

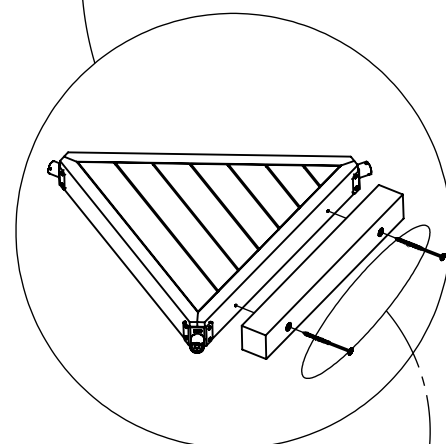
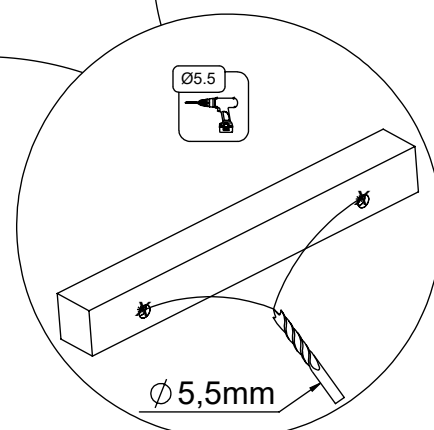
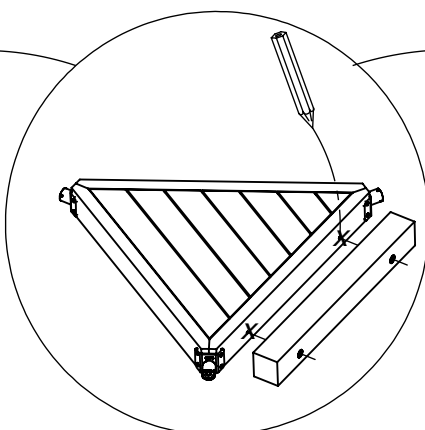
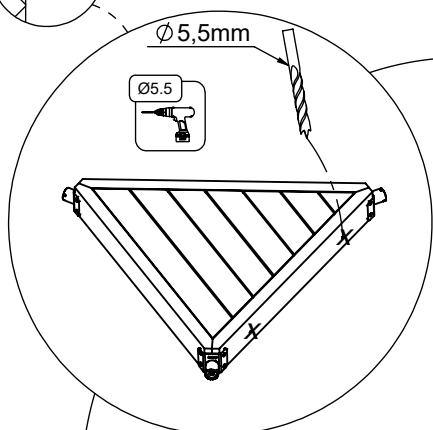
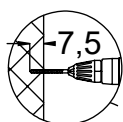
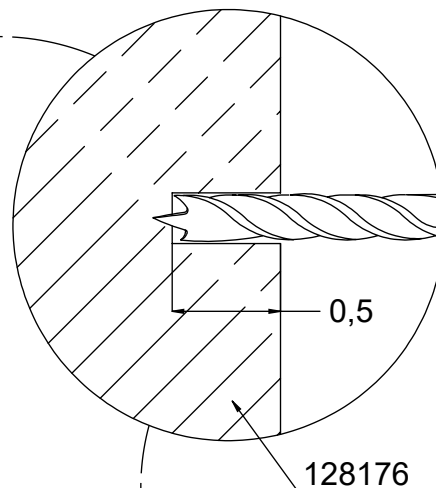
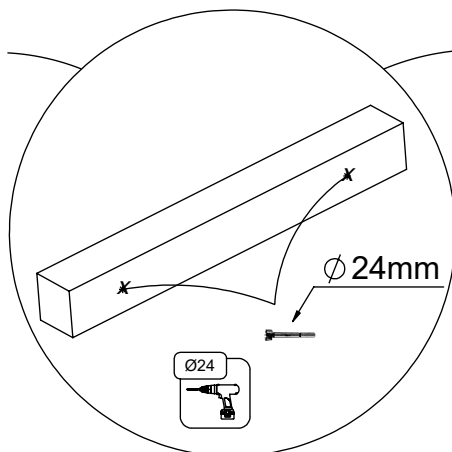
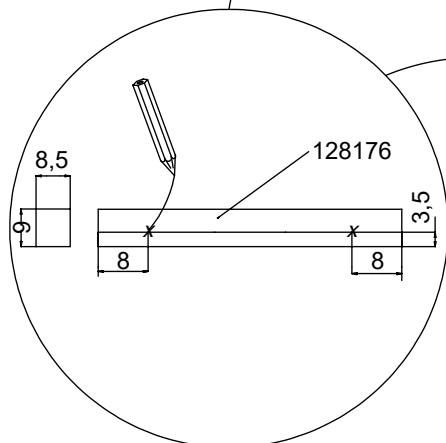
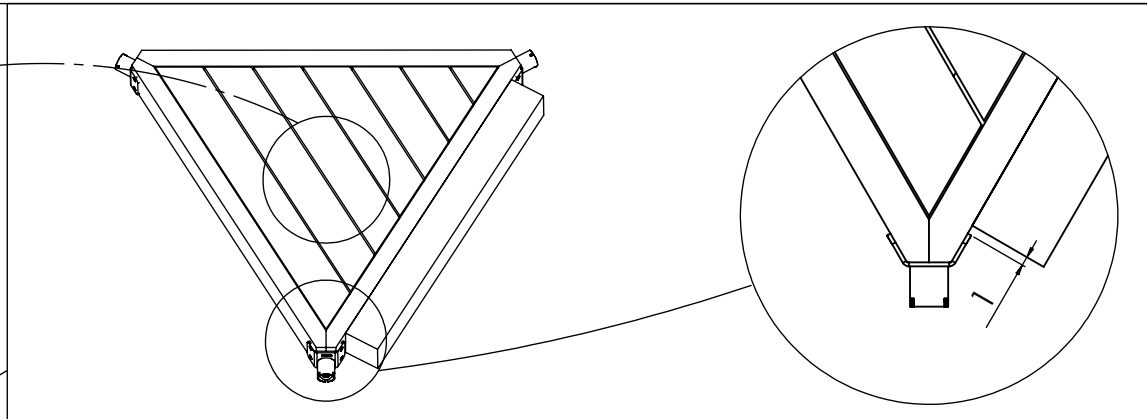
127264



[cm]

B

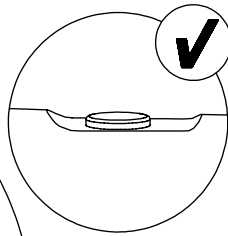
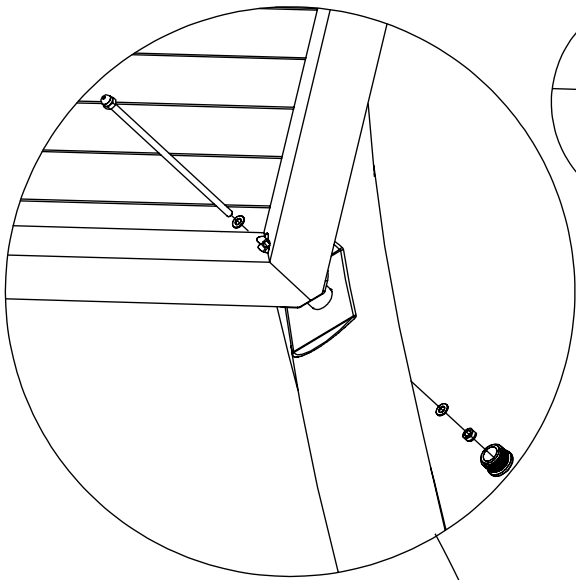
vinci
play



2x 8x160sxt

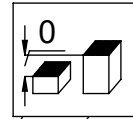
[cm]

vinci
play



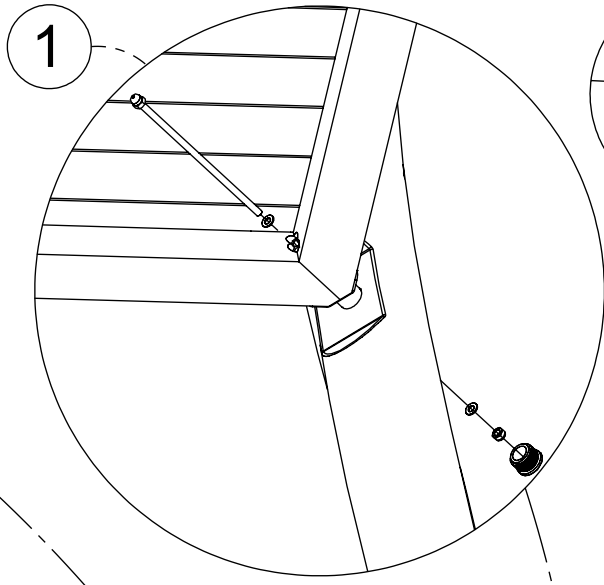
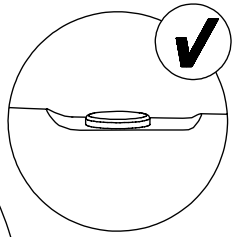
1x 12e003

127262



[cm]

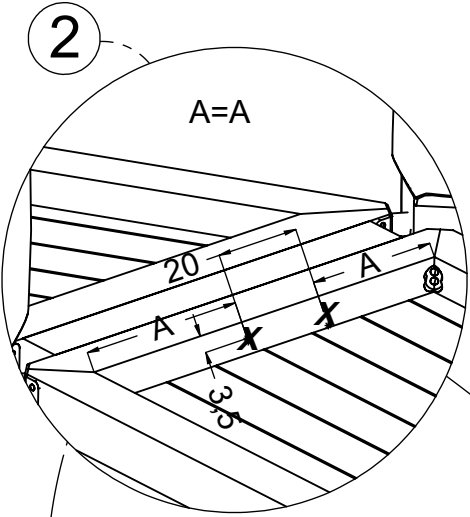
vinci
play



1

12e003

12e004



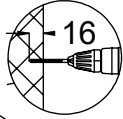
2

A=A

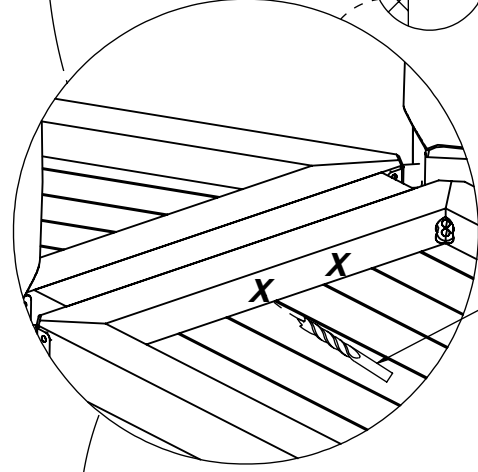
20

A

3c

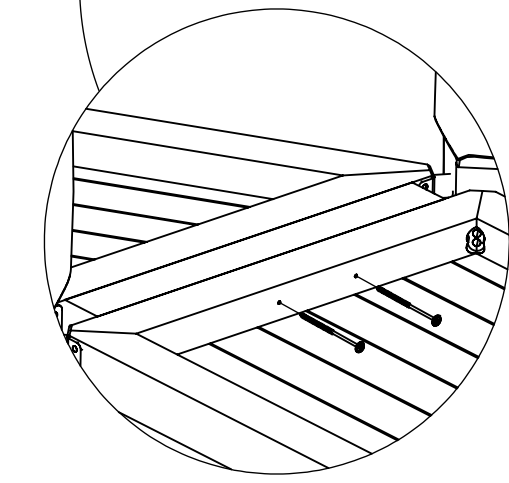


16

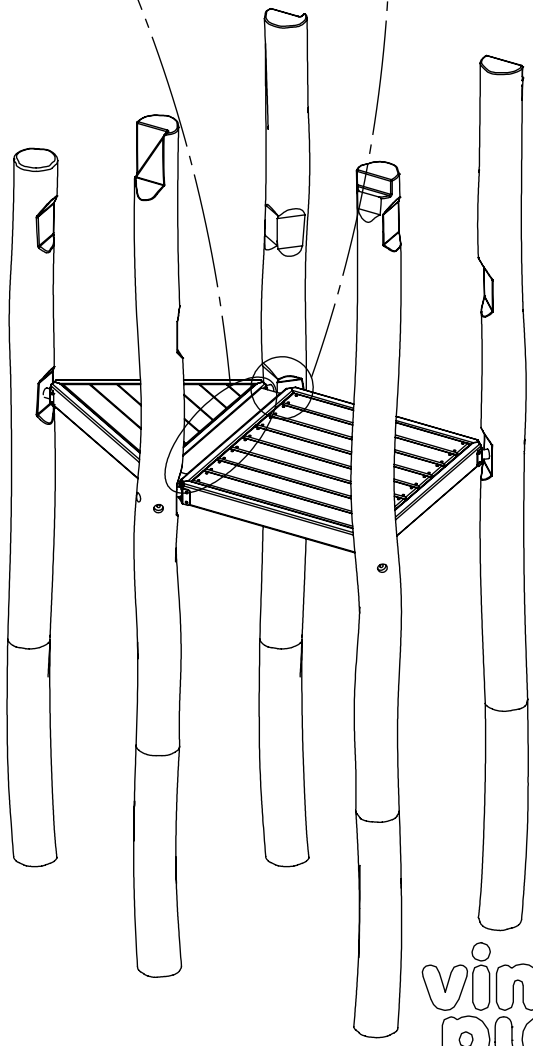


Ø5.5

Ø5,5mm

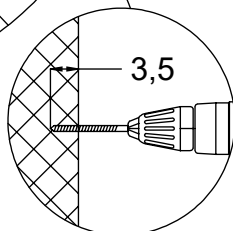
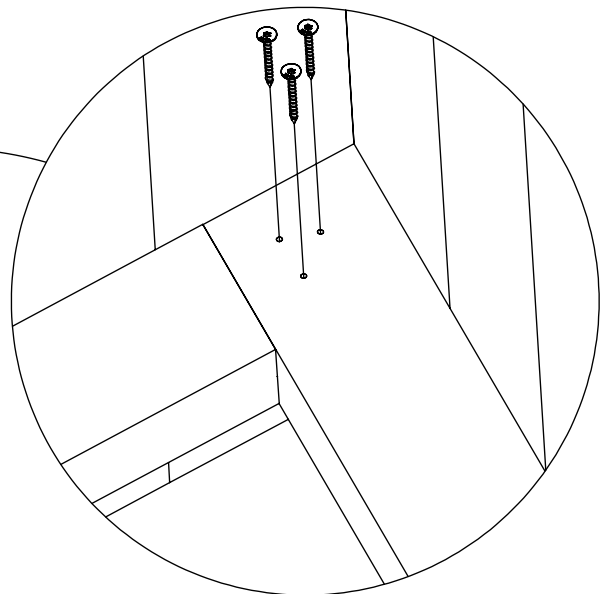
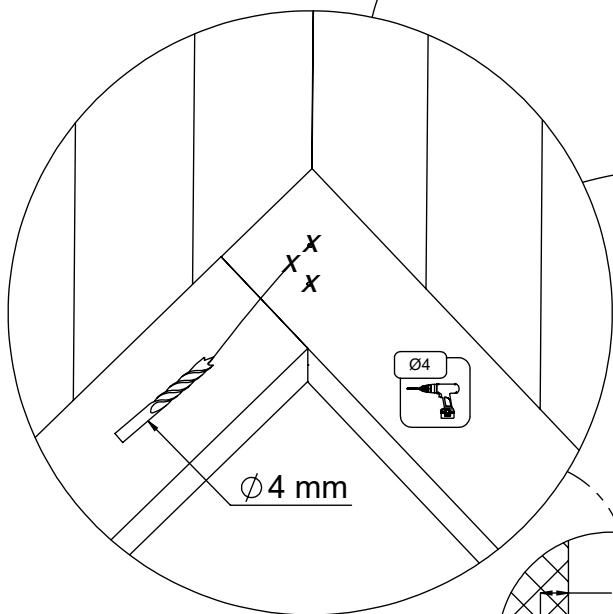
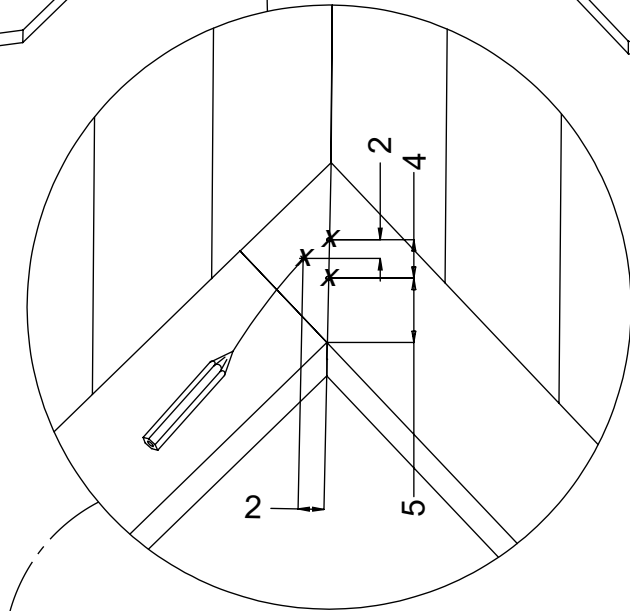
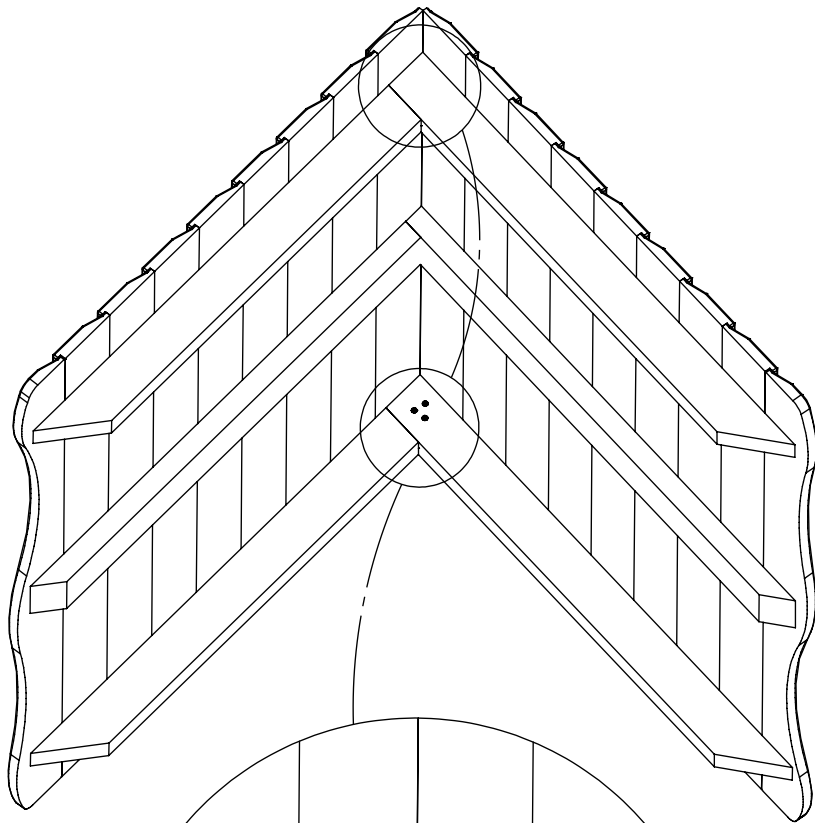


2x 8x160sxt



vinci play

[cm]

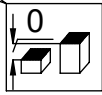
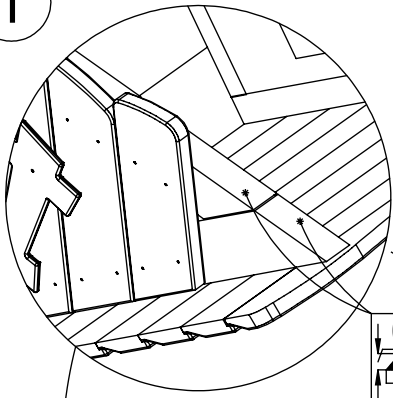


6x 7x35 sxi

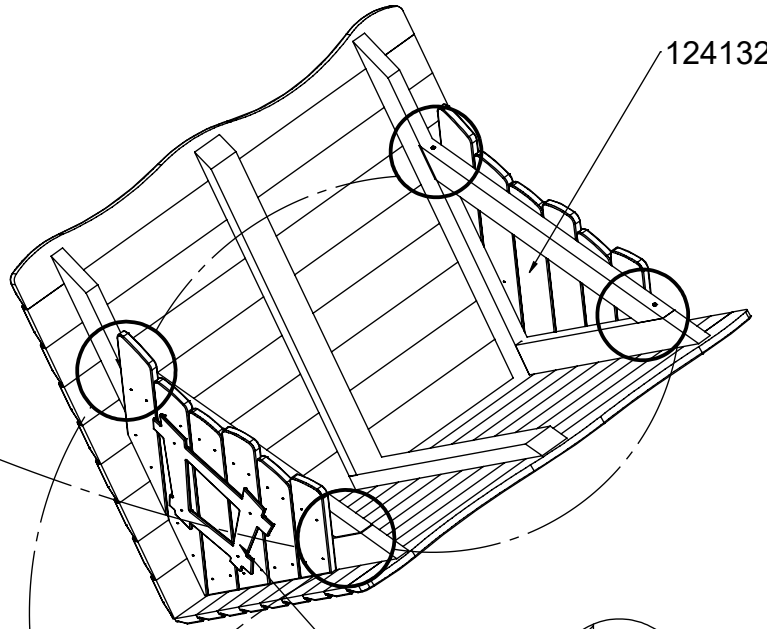
[cm]

vinci
play

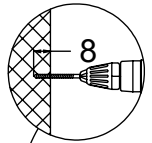
1



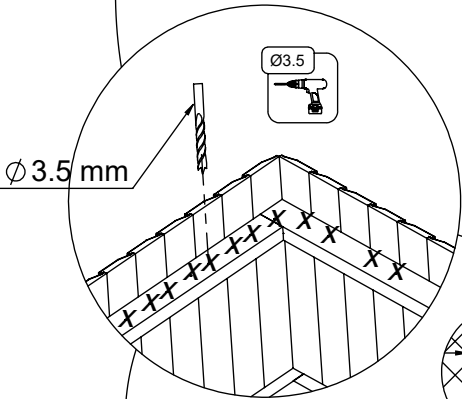
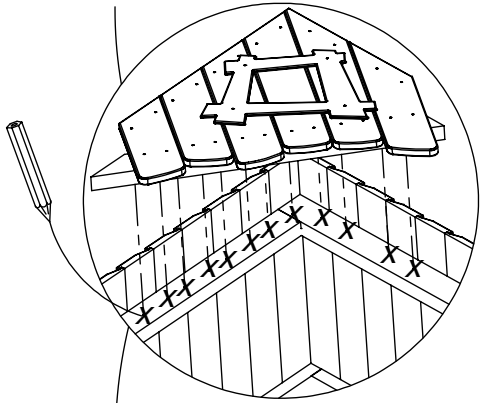
124132



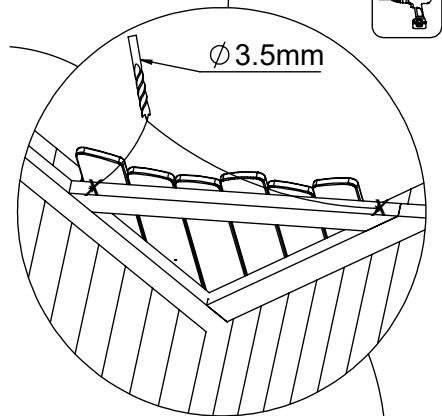
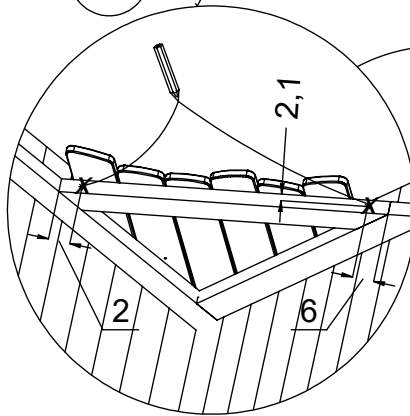
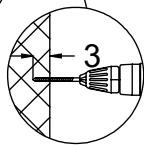
124135



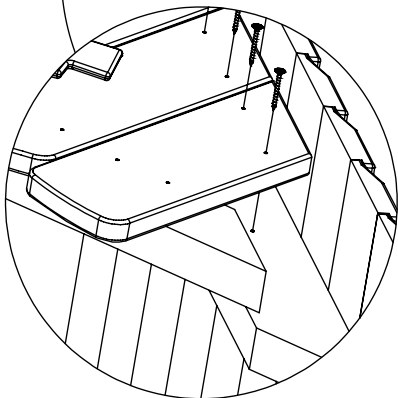
2



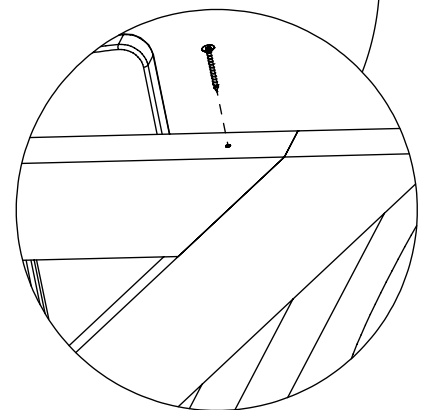
Ø 3.5 mm



Ø 3.5 mm



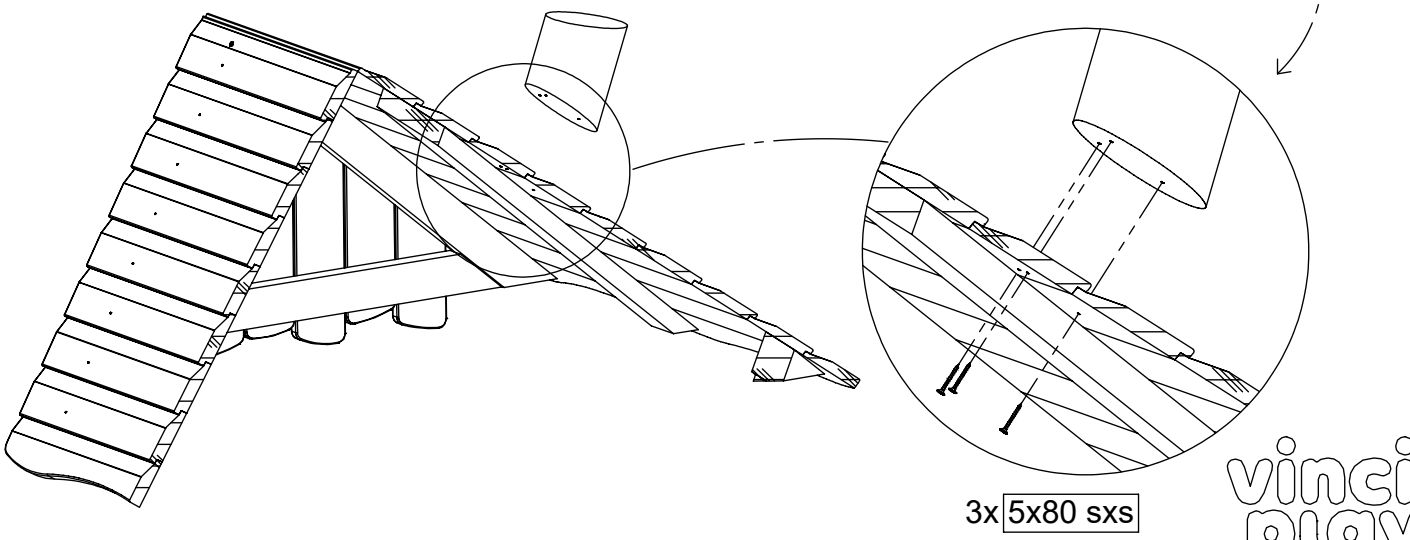
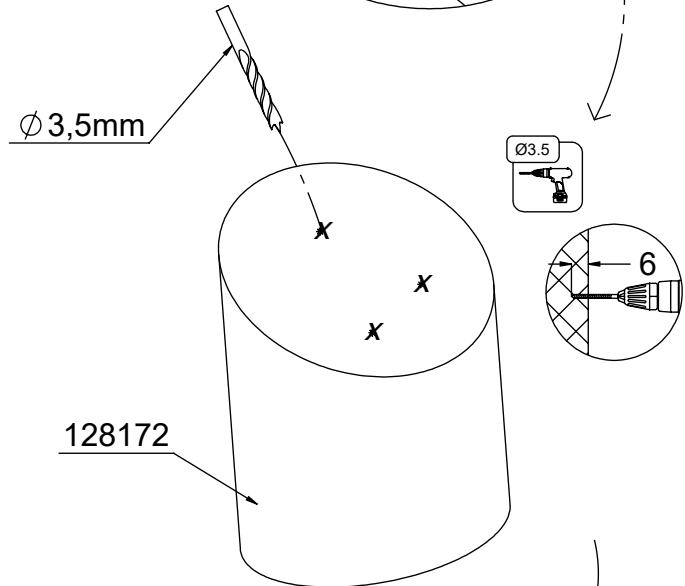
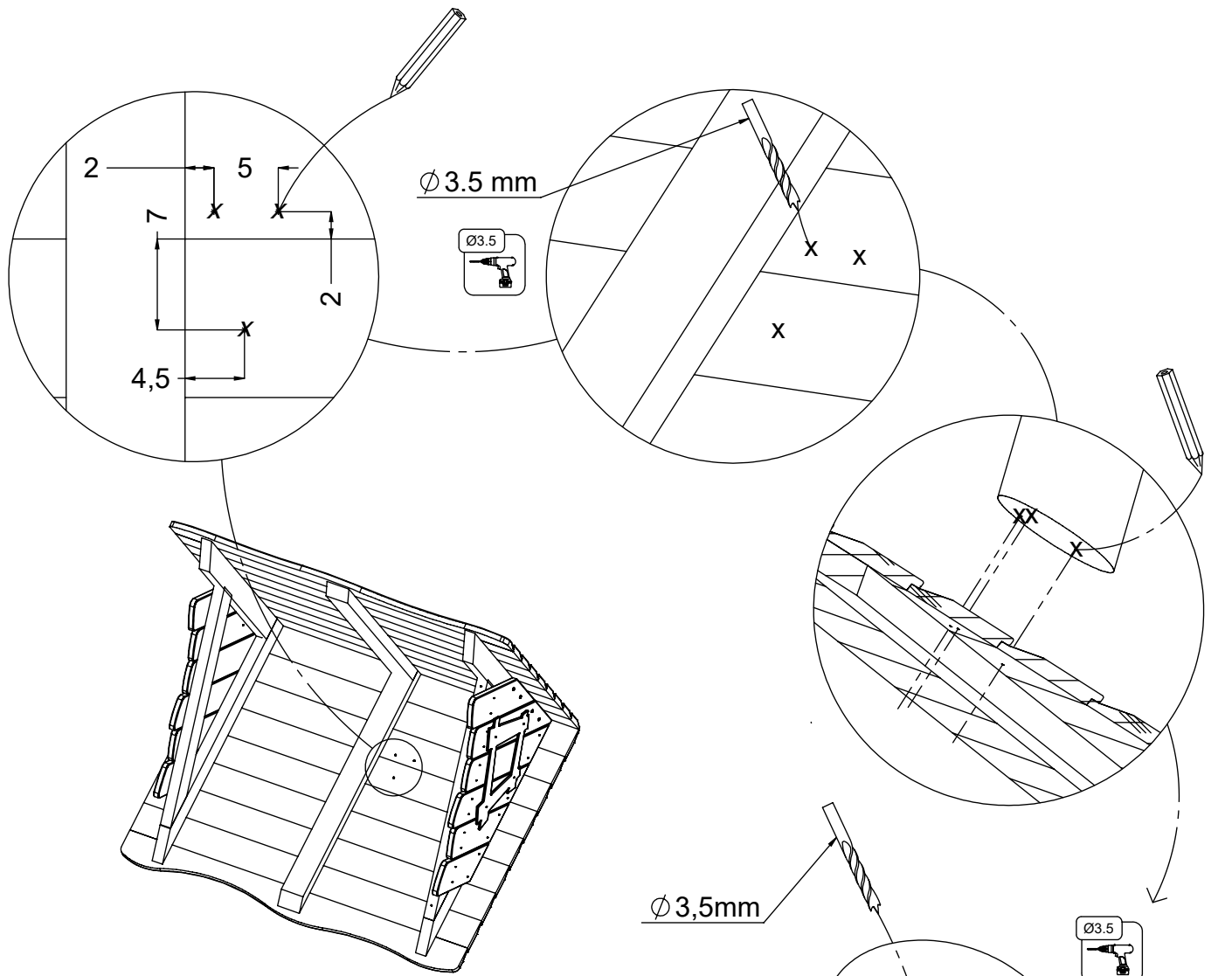
24x 5x50sxs



4x 5x80sxs

[cm]

vinci play

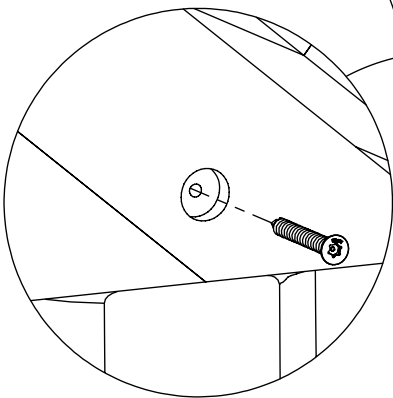
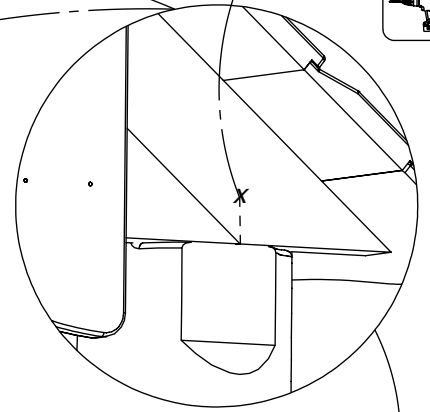
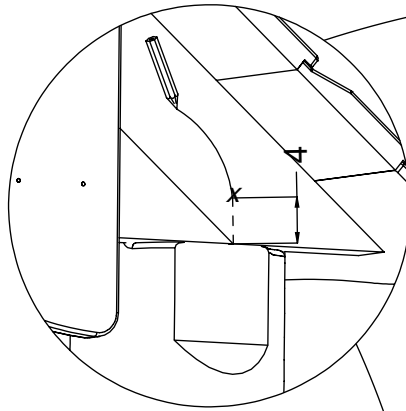
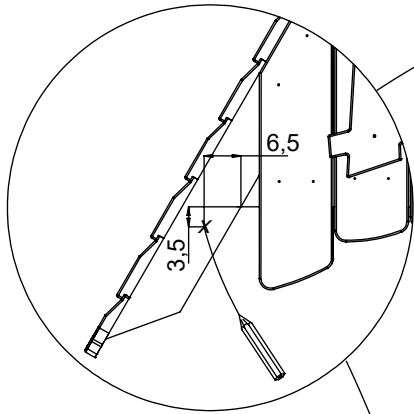


vinci play

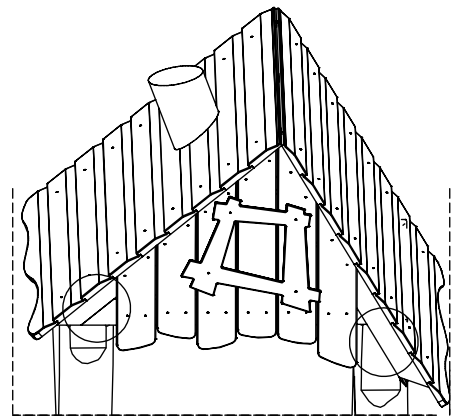
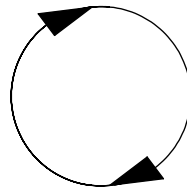
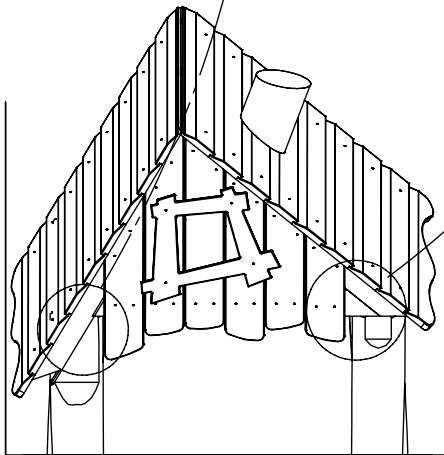
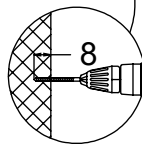
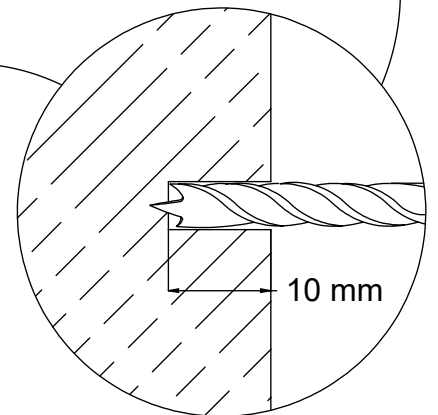
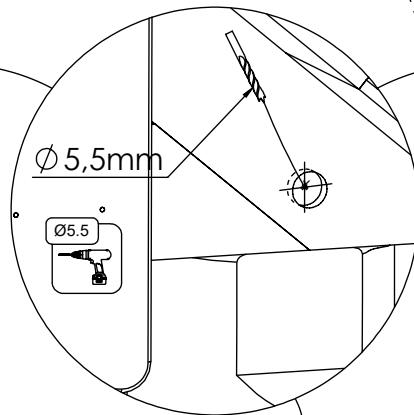
[cm]

Ø 24 mm

Ø24

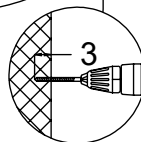
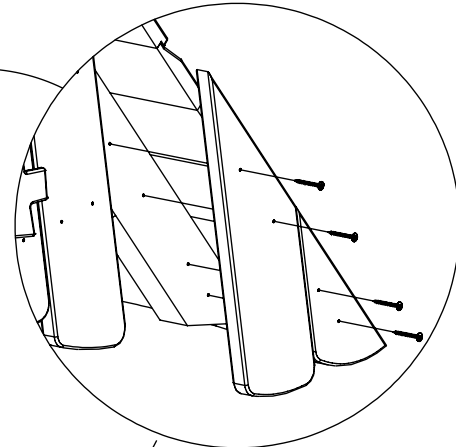
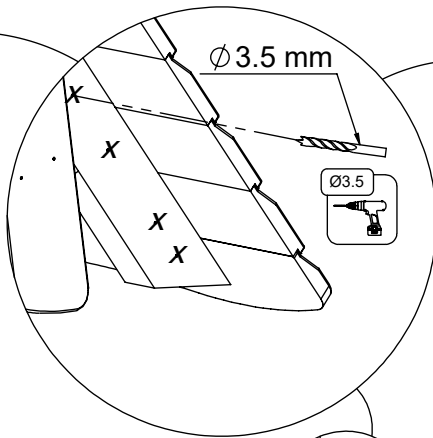
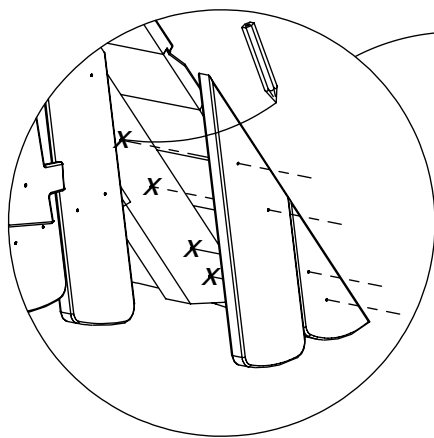


4x 8x80sxt

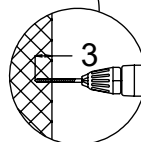
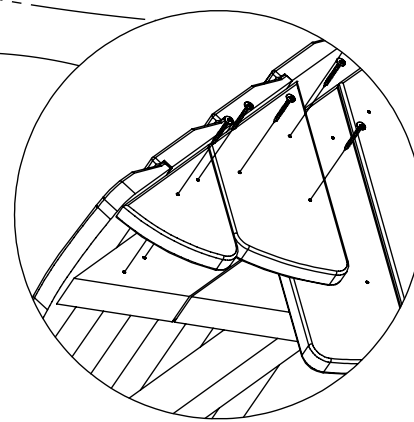
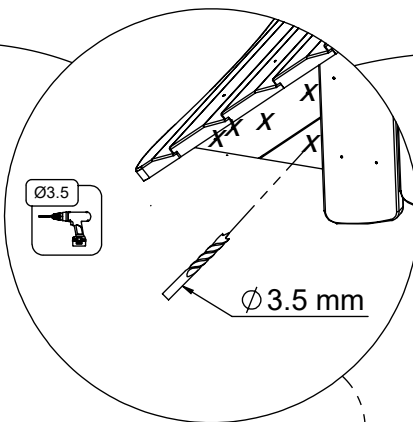
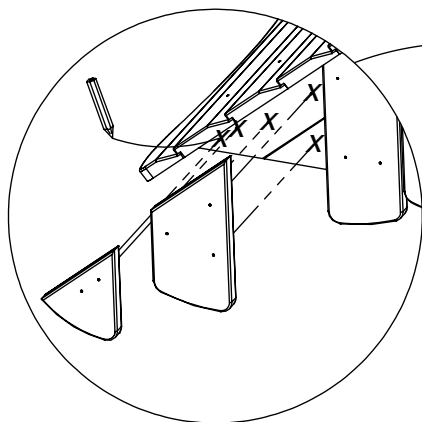
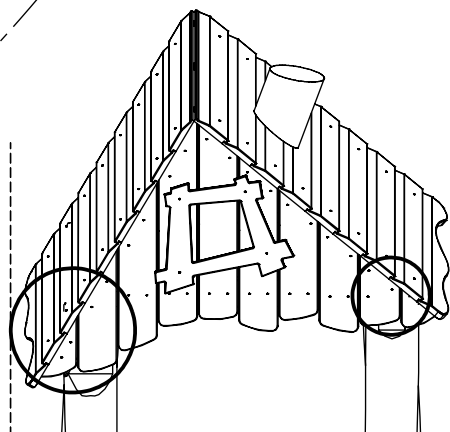
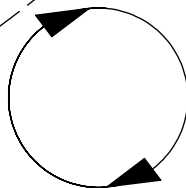
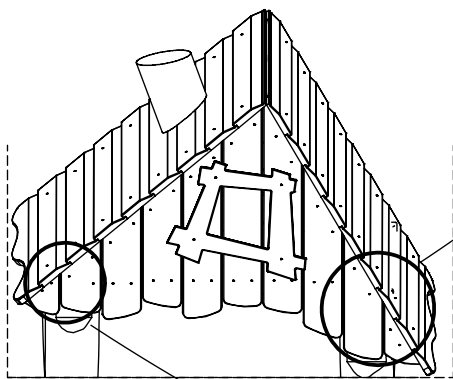


[cm]

vinci play



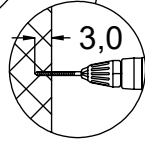
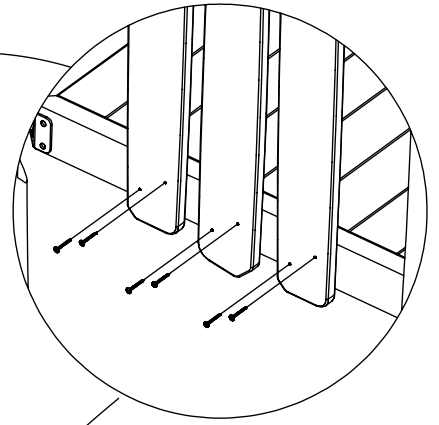
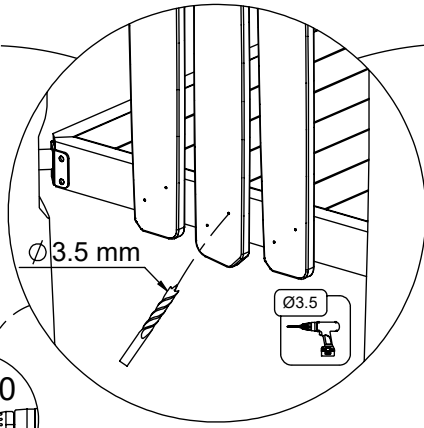
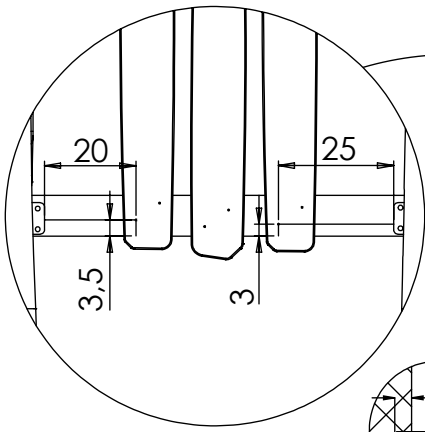
8x 5x50sxs



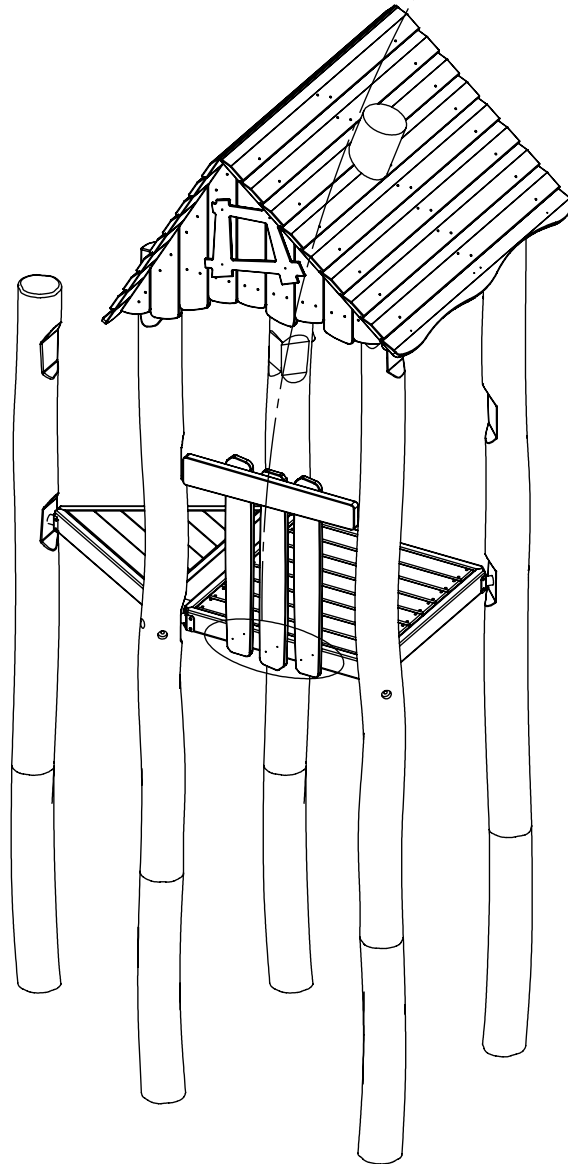
10x 5x50sxs

[cm]

vinci
play

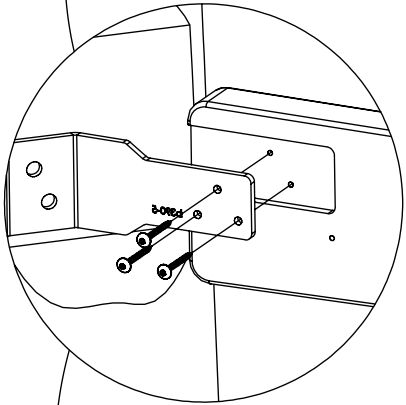
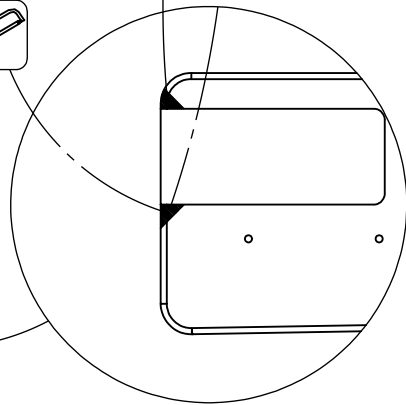
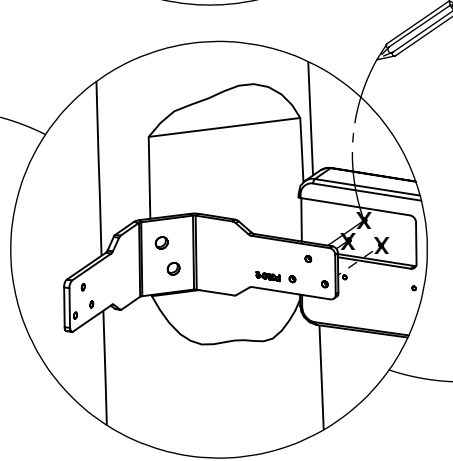
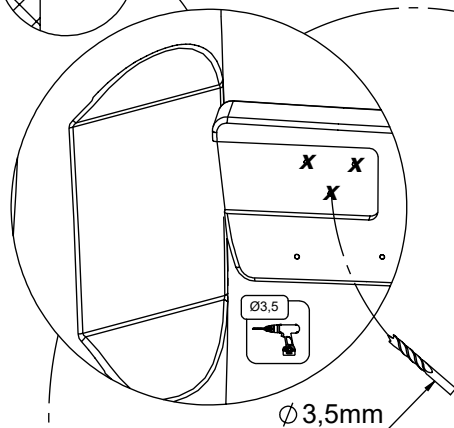
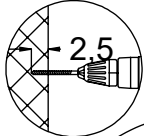
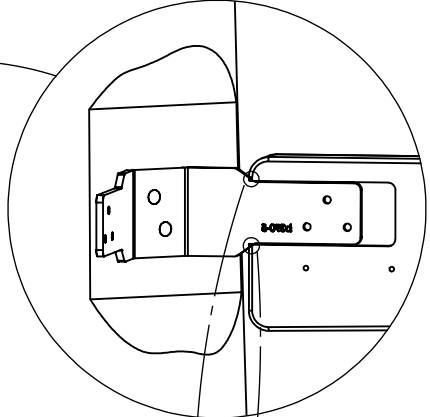
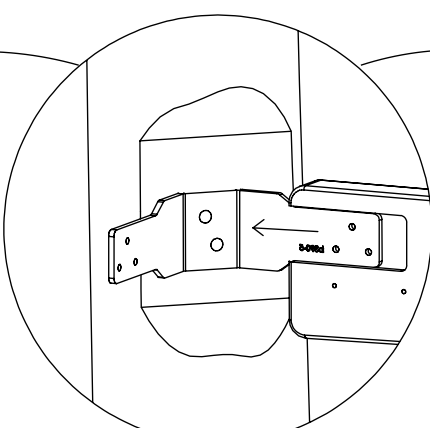
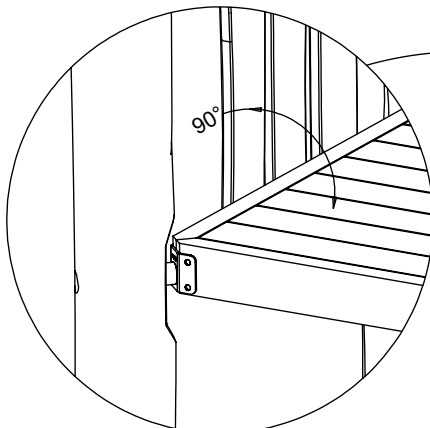


6x 5x50sxs

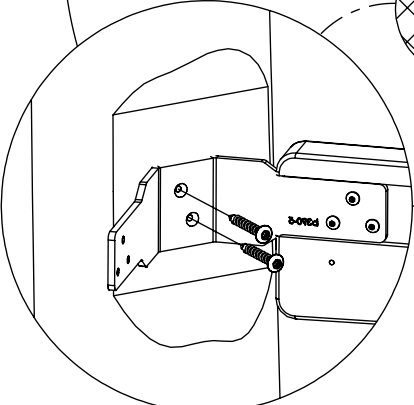
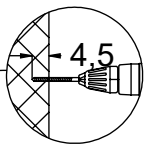


[cm]

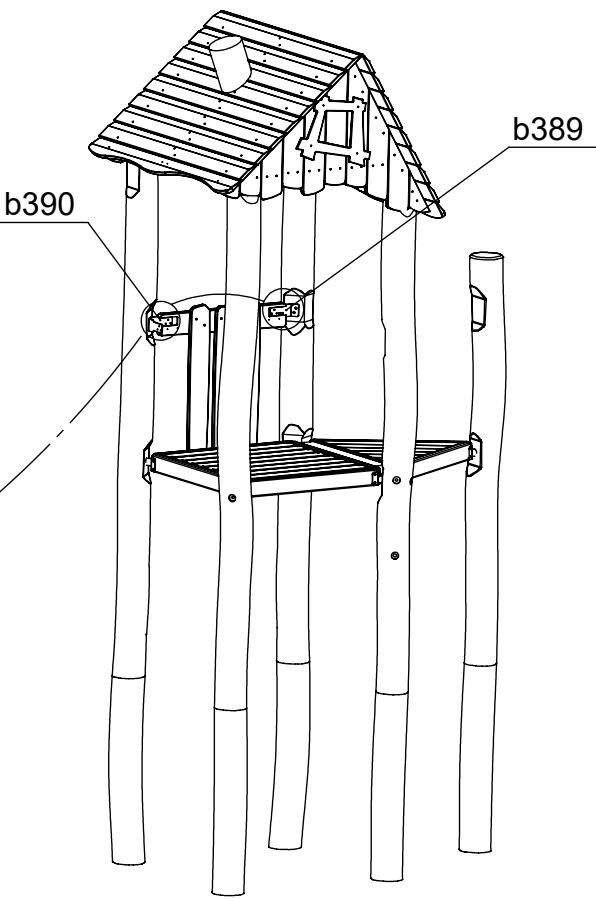
vinci
play



6x 5x30sxs

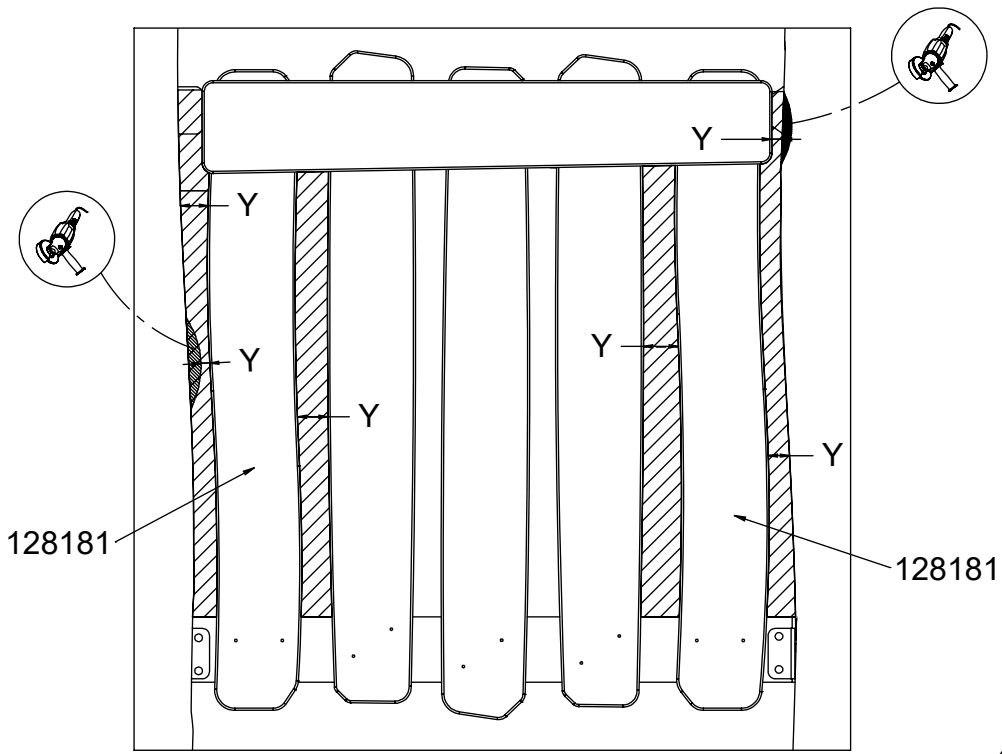


4x 8x50sxi

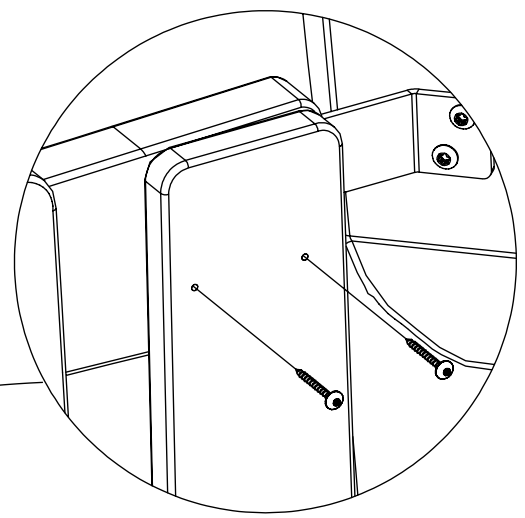


[cm]

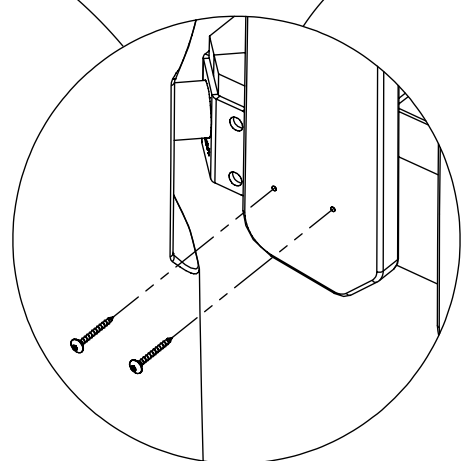
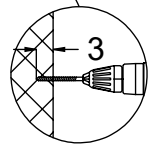
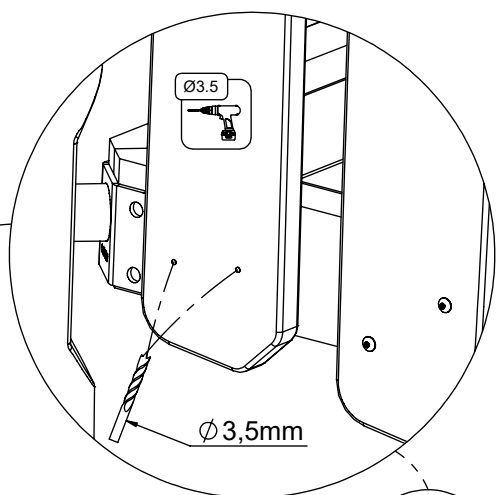
vinci play



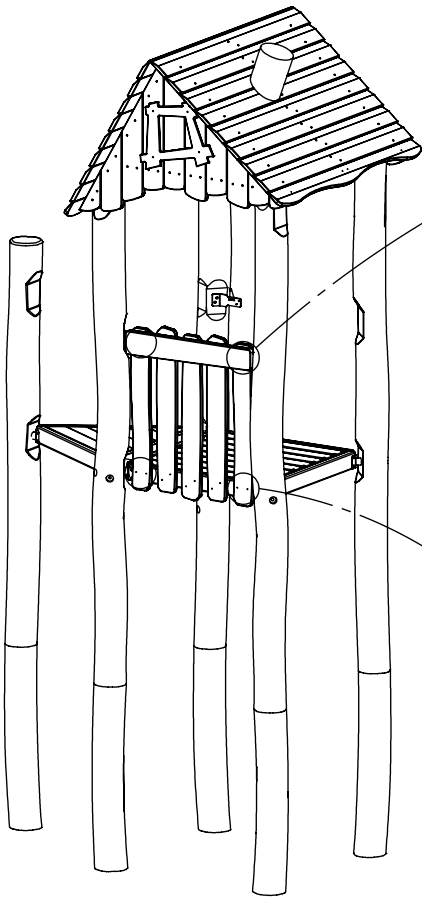
! 30mm < Y < 85mm



4x 5x50sxs

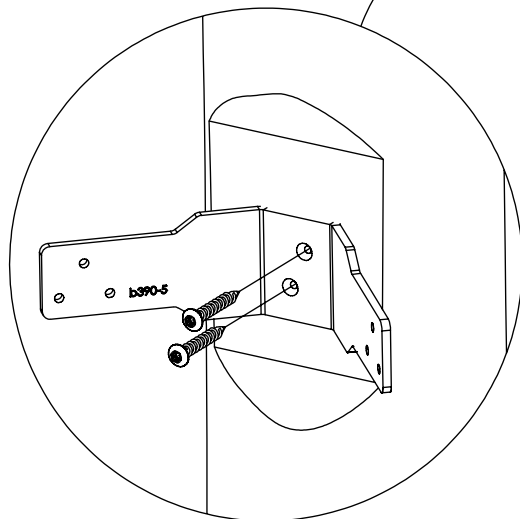
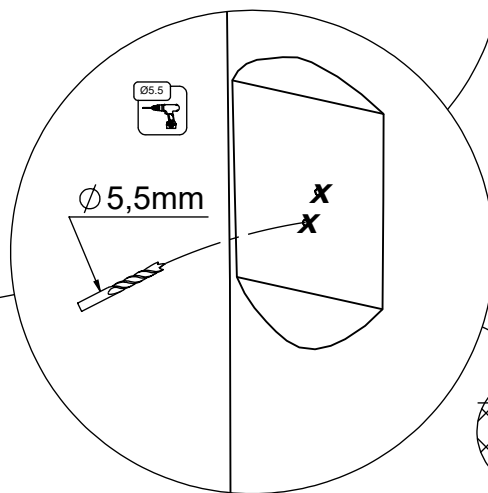
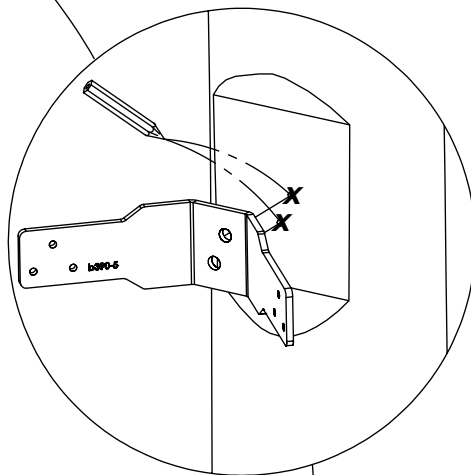
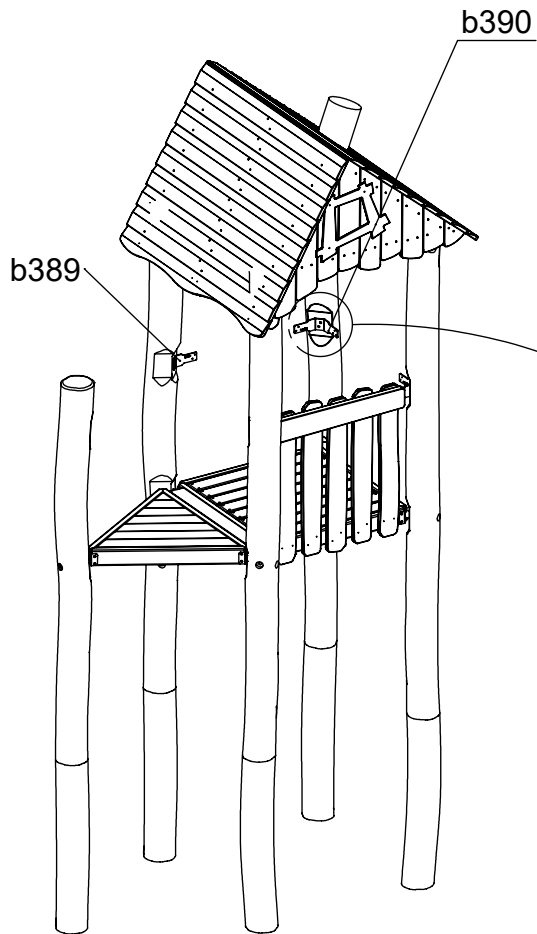


4x 5x50sxs



[cm]

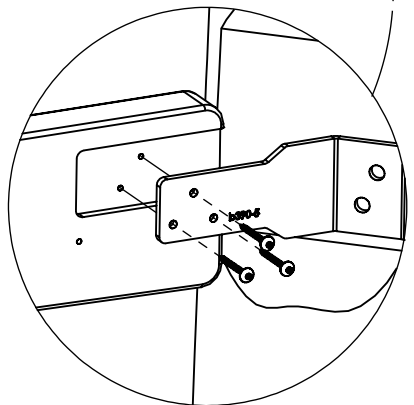
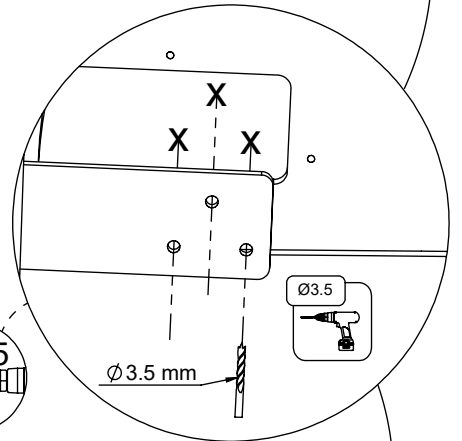
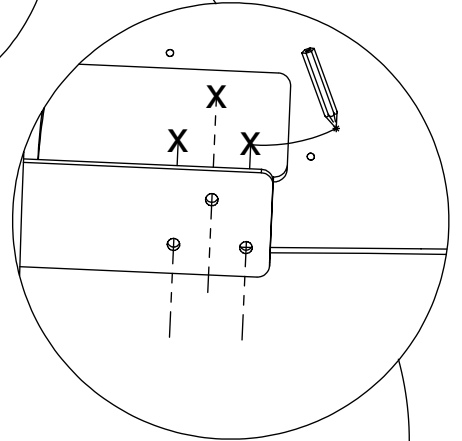
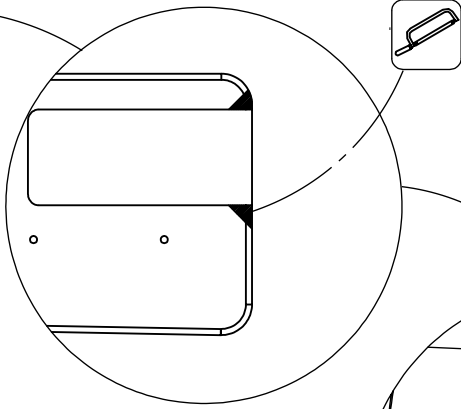
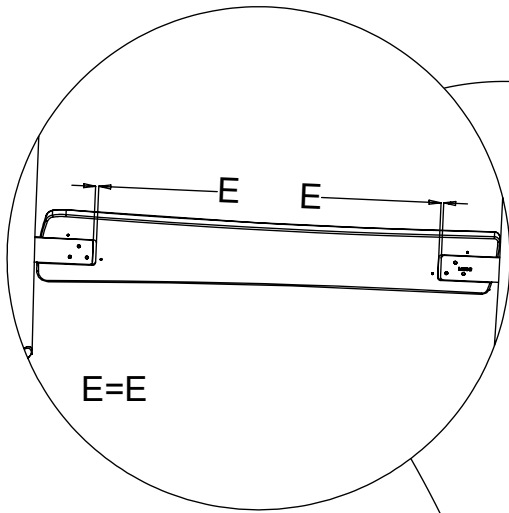
vinci play



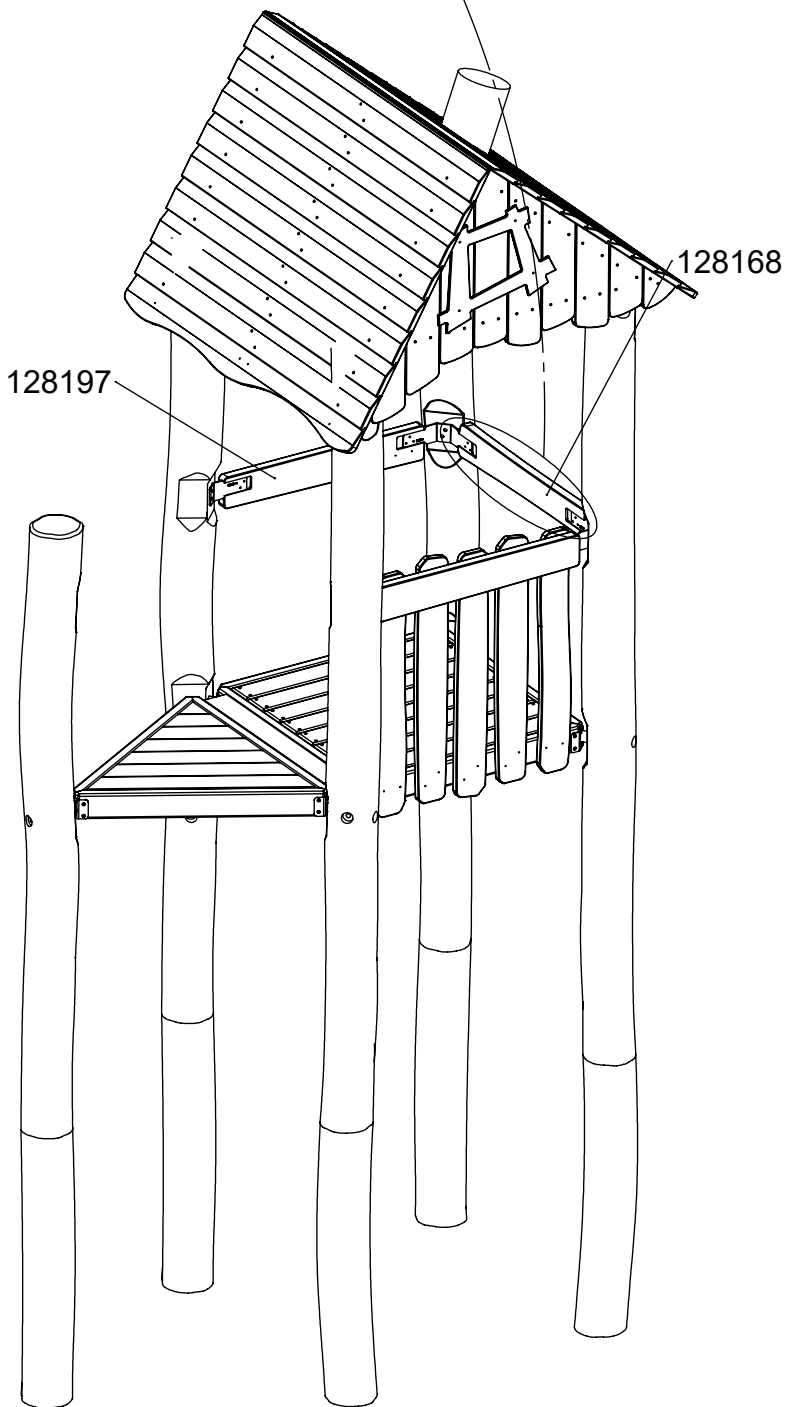
4x 8x50sxi

[cm]

vinci
play

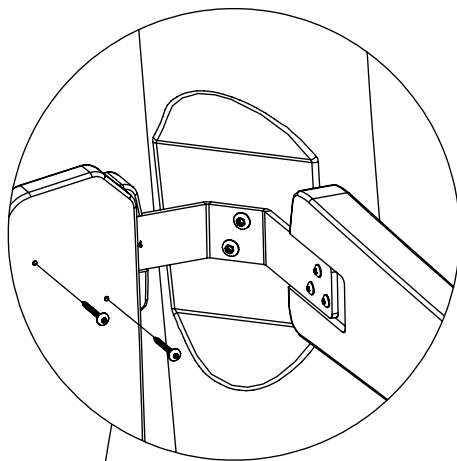


12x5x30sxs

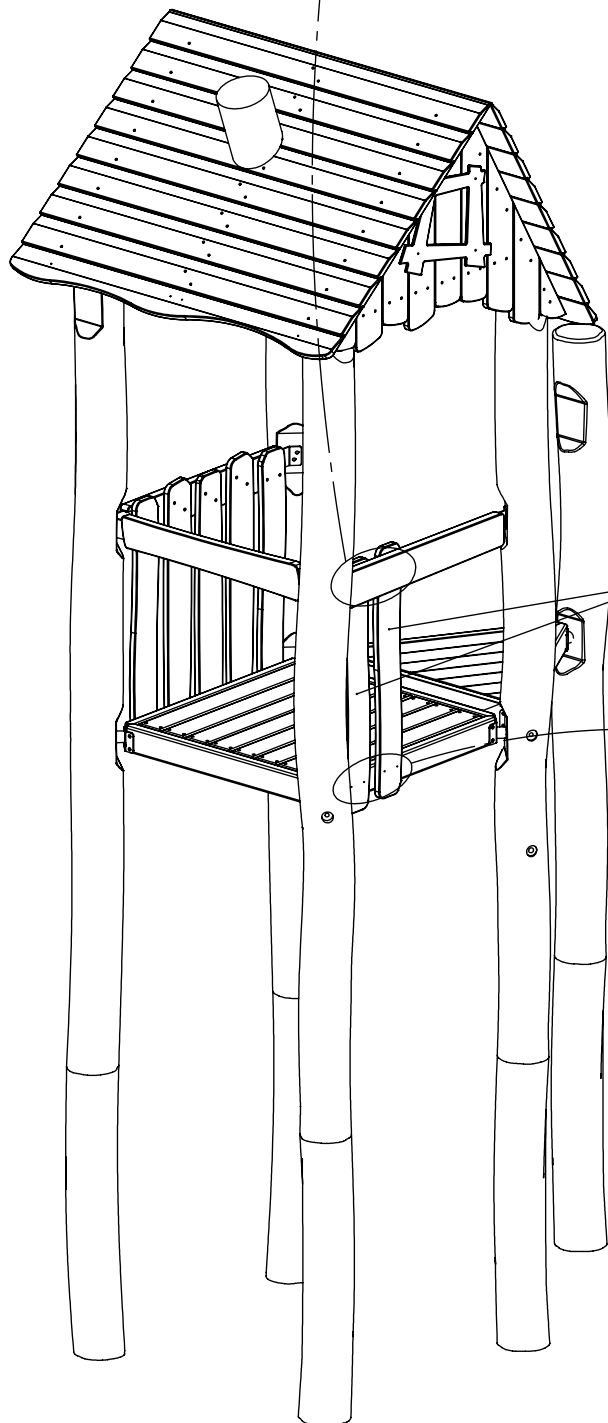
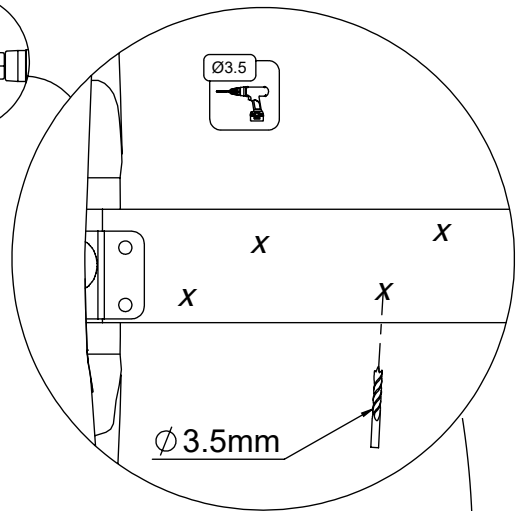
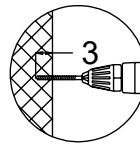


[cm]

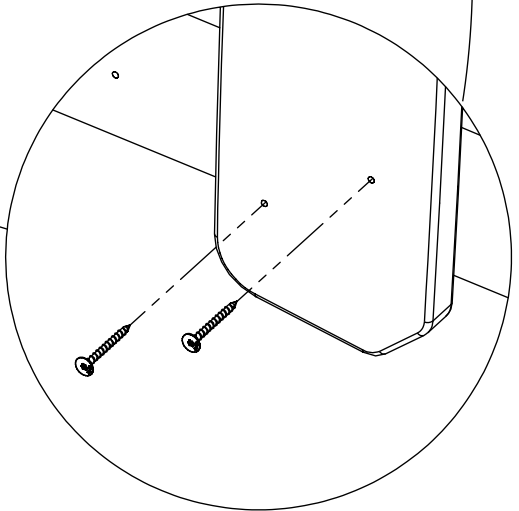
vinci
play



4x 5x50sxs



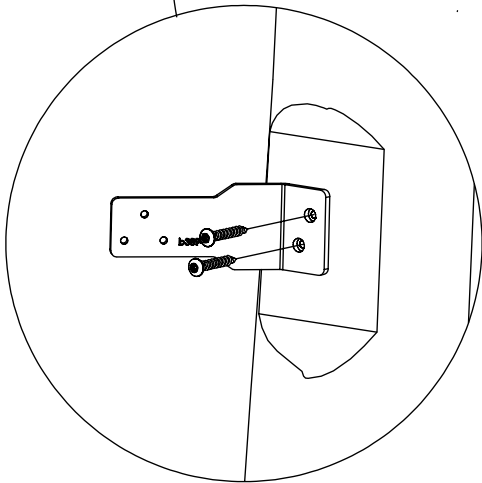
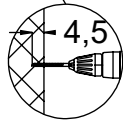
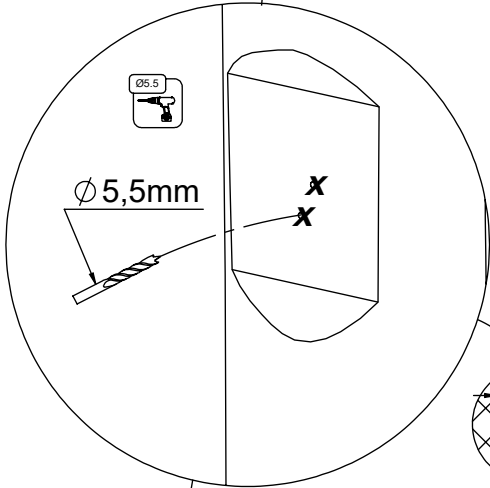
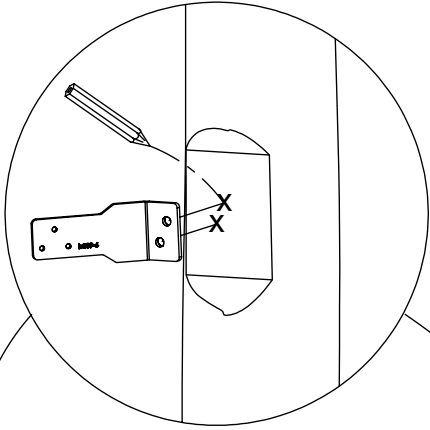
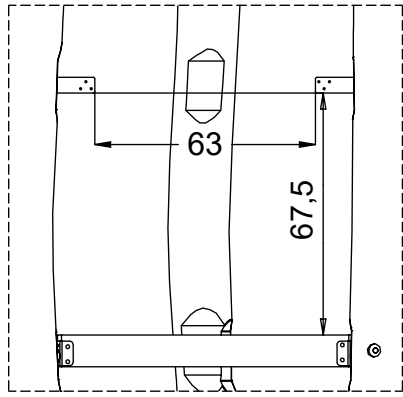
128181



4x 5x50sxs

[cm]

vinci
play



6x 8x50sxi

b405

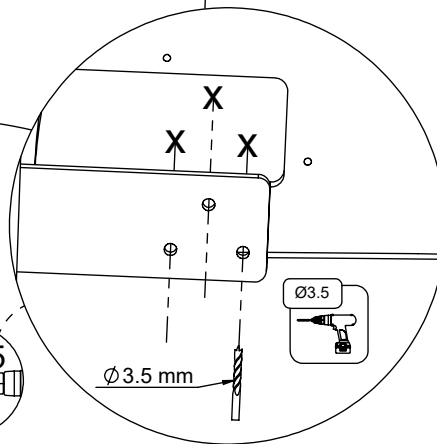
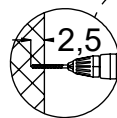
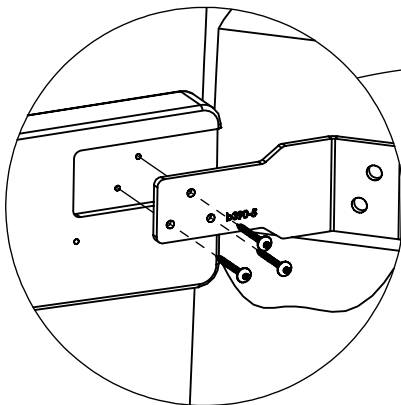
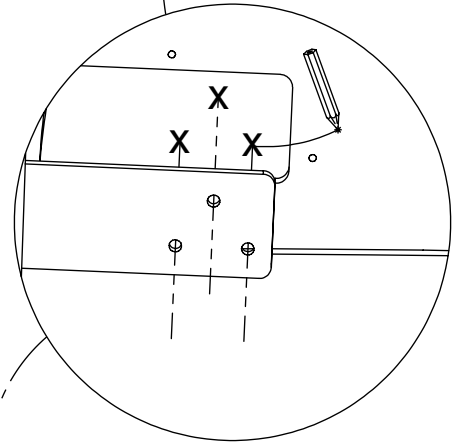
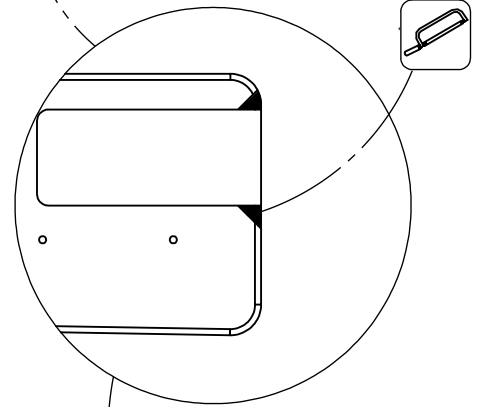
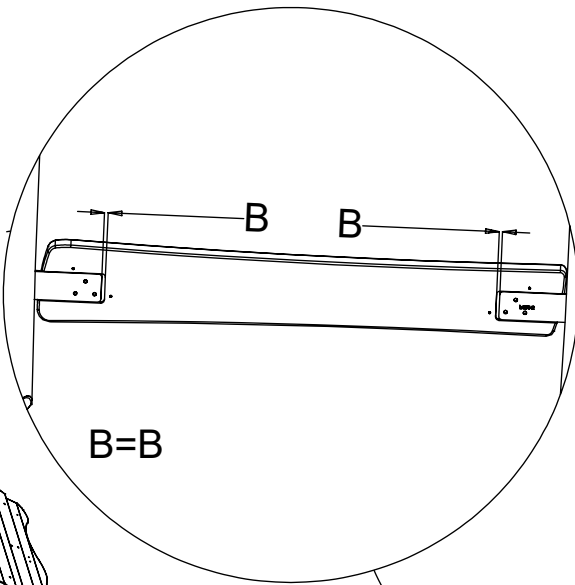
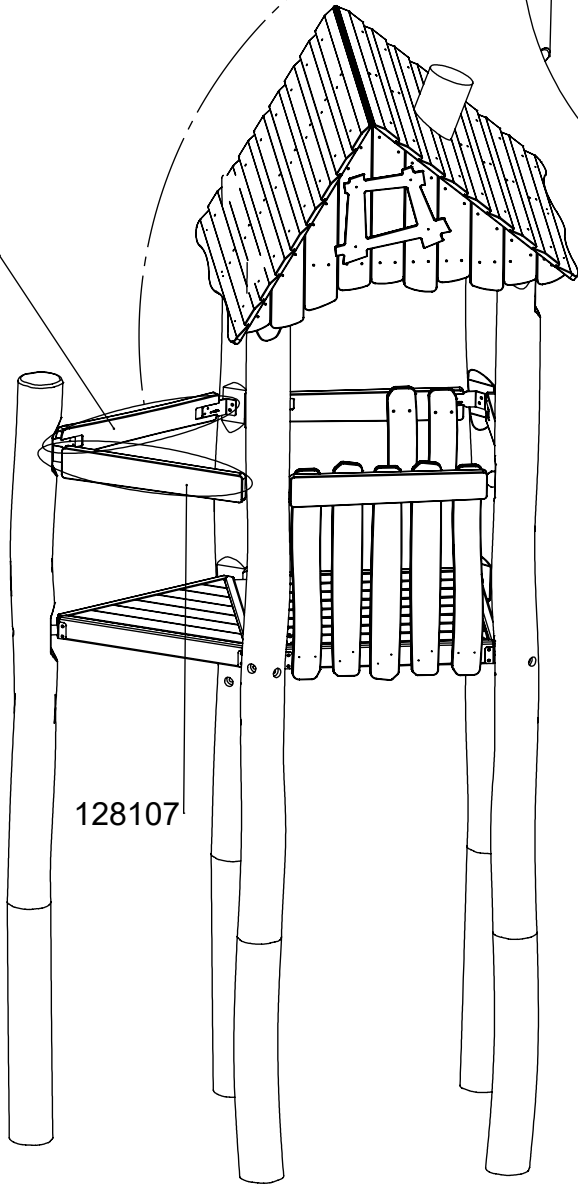
b399

D=D≈63

vinci
play

[cm]

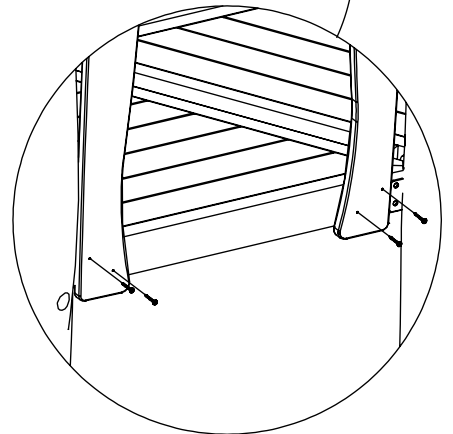
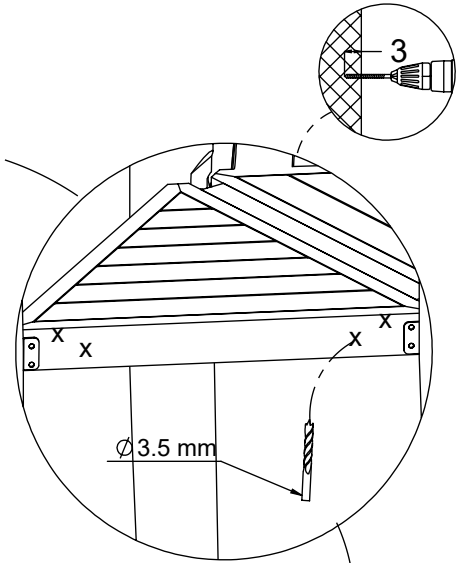
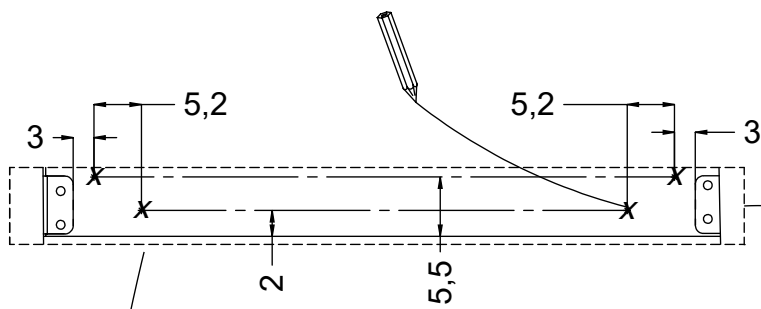
128168



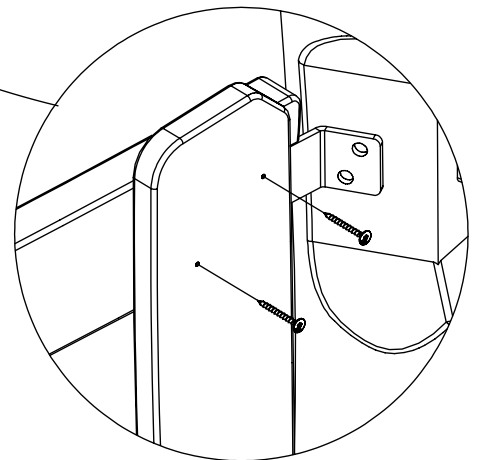
12x 5x30sxs

[cm]

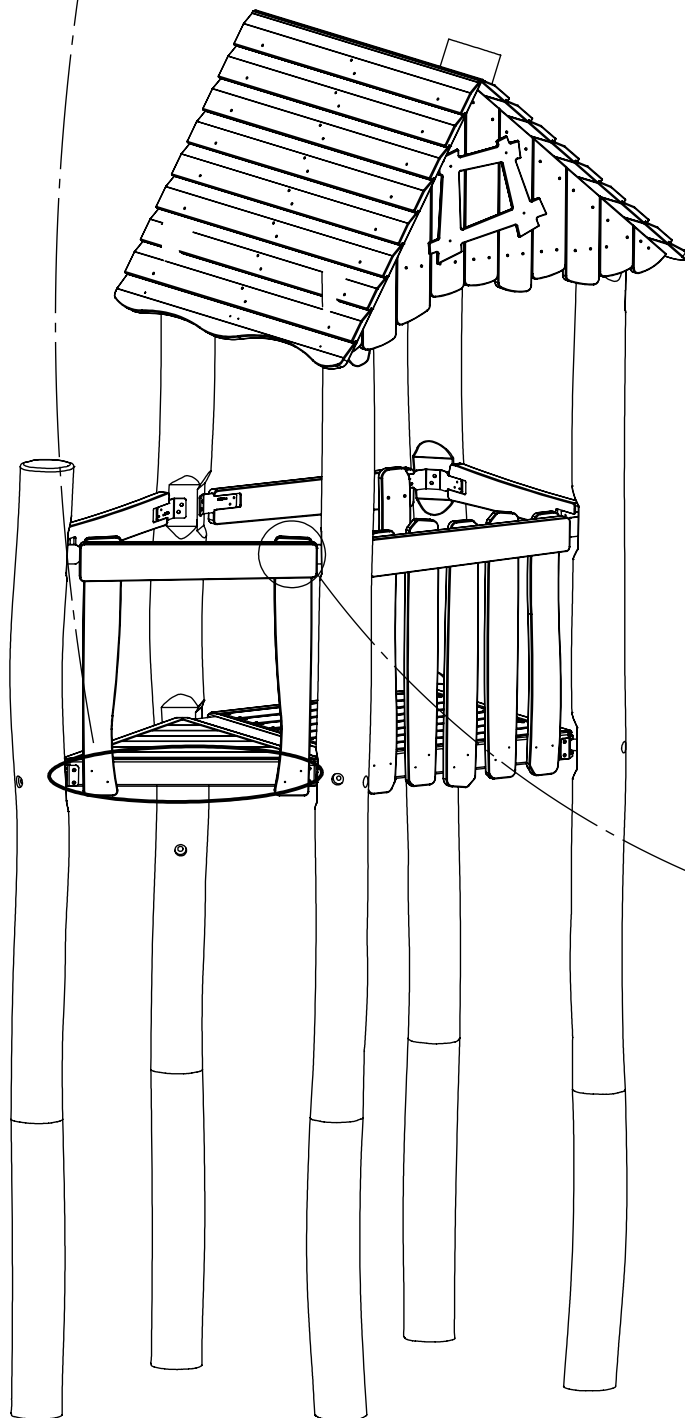
vinci
play

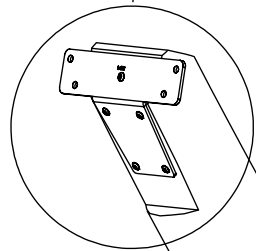
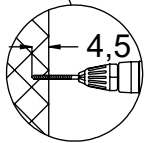
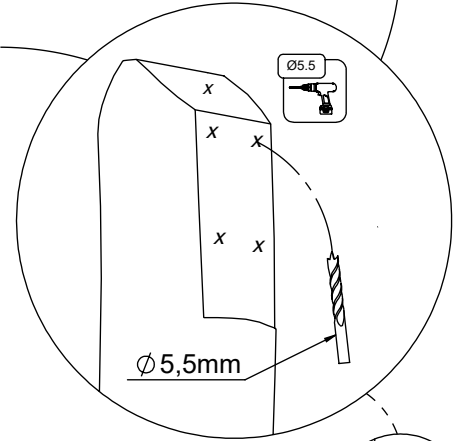
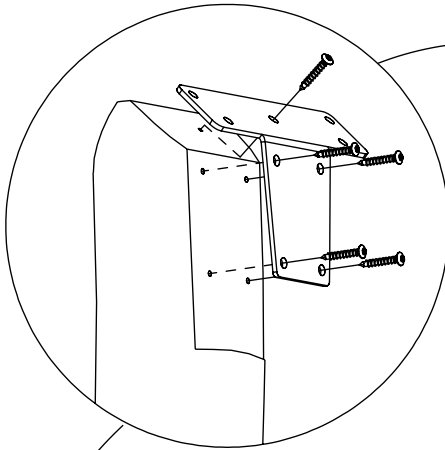
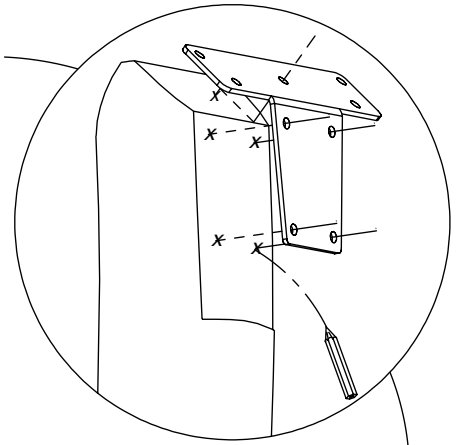
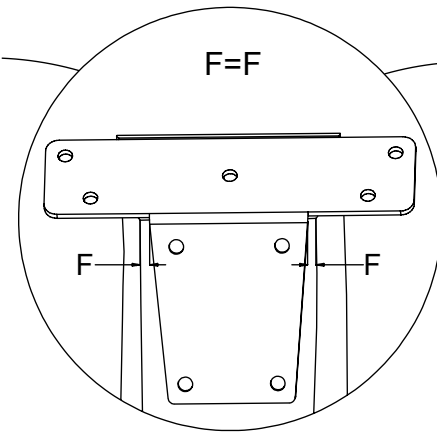
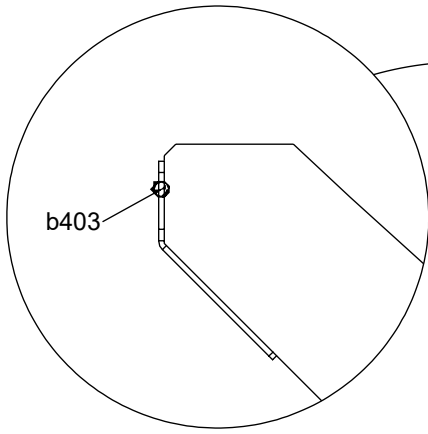


4x 5x50sxs



4x 5x50sxs

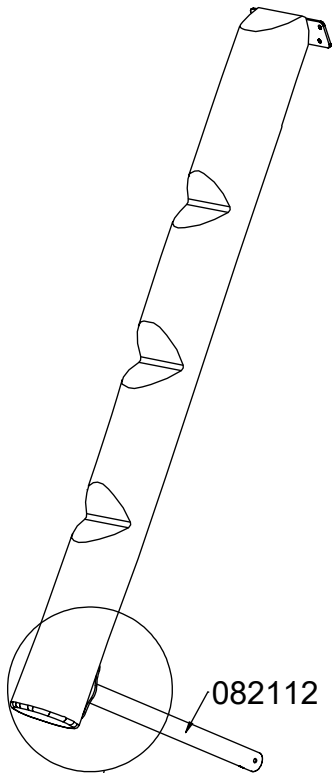




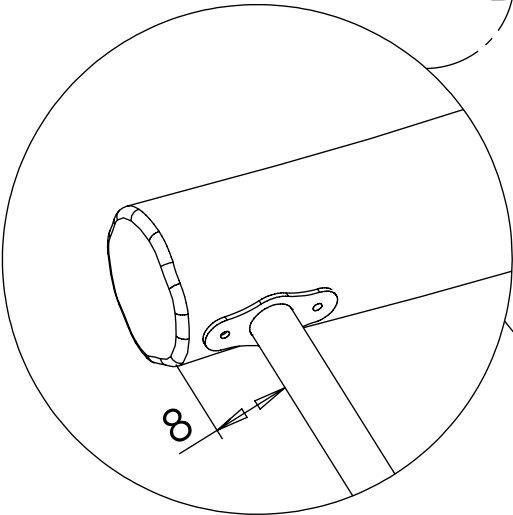
127505

[cm]

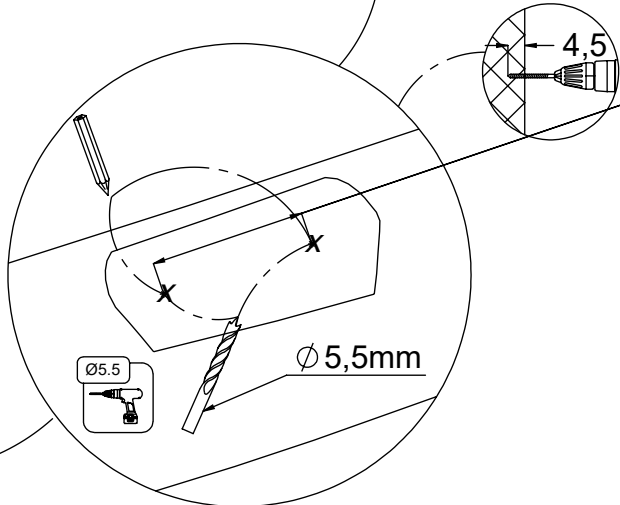
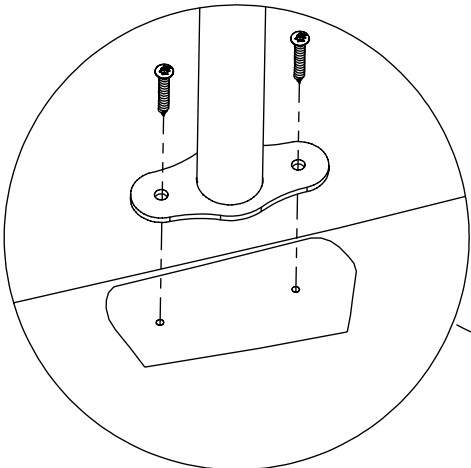
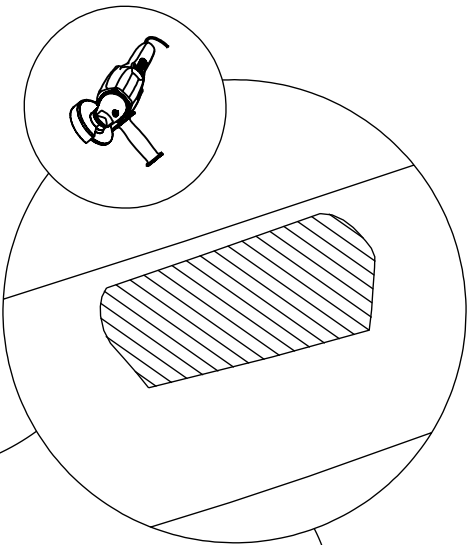
vinci
play



082112



8



Ø 5,5mm

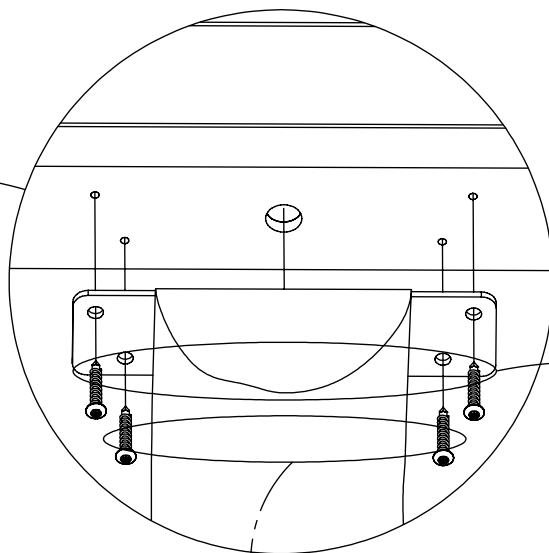
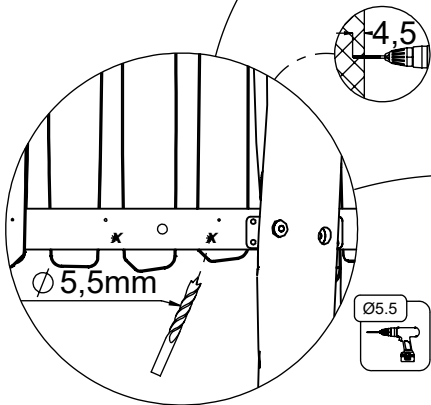
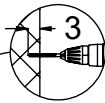
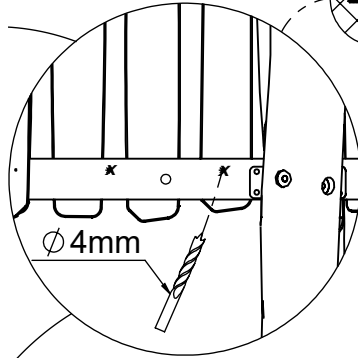
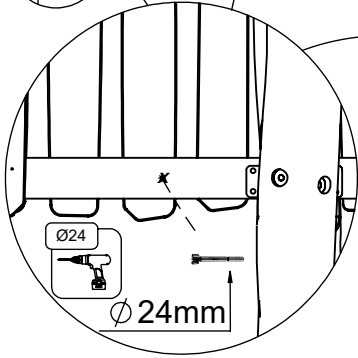
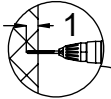
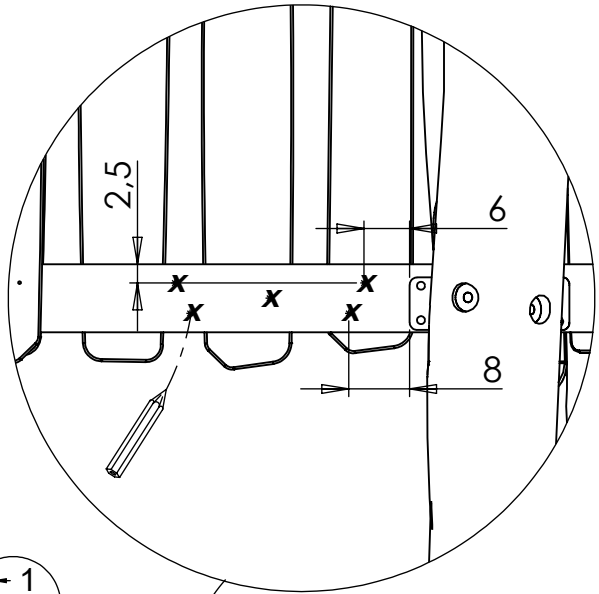
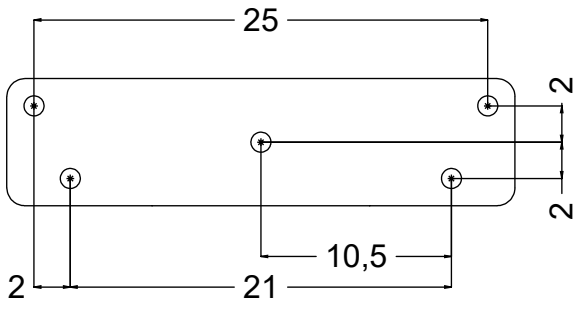
Ø 5.5

4,5

2x 8x50sxi

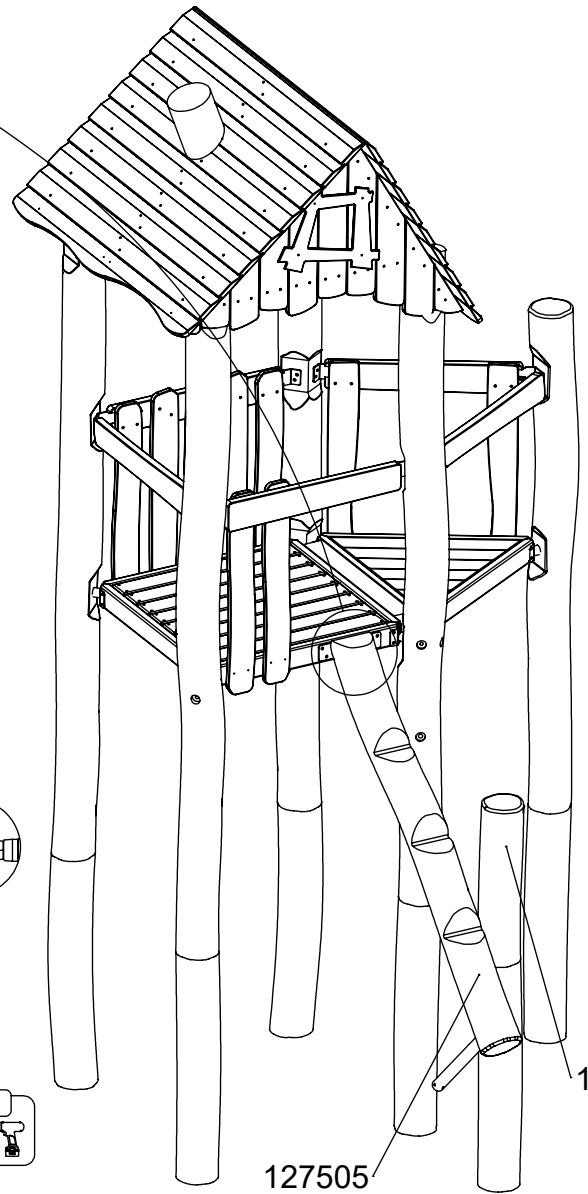
[cm]

vinci play



2x 8x50sxi

2x 7x35sxi

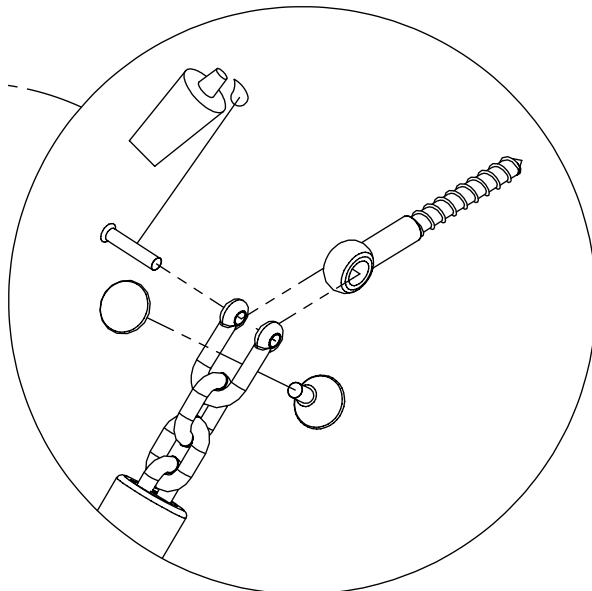
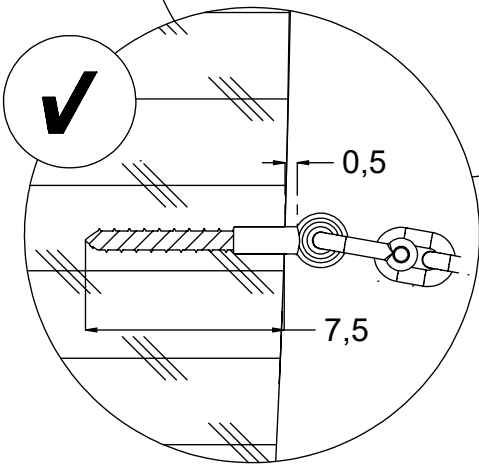
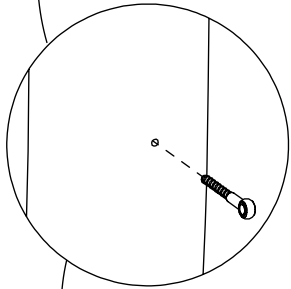
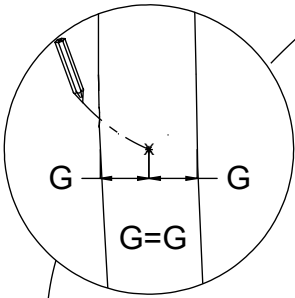
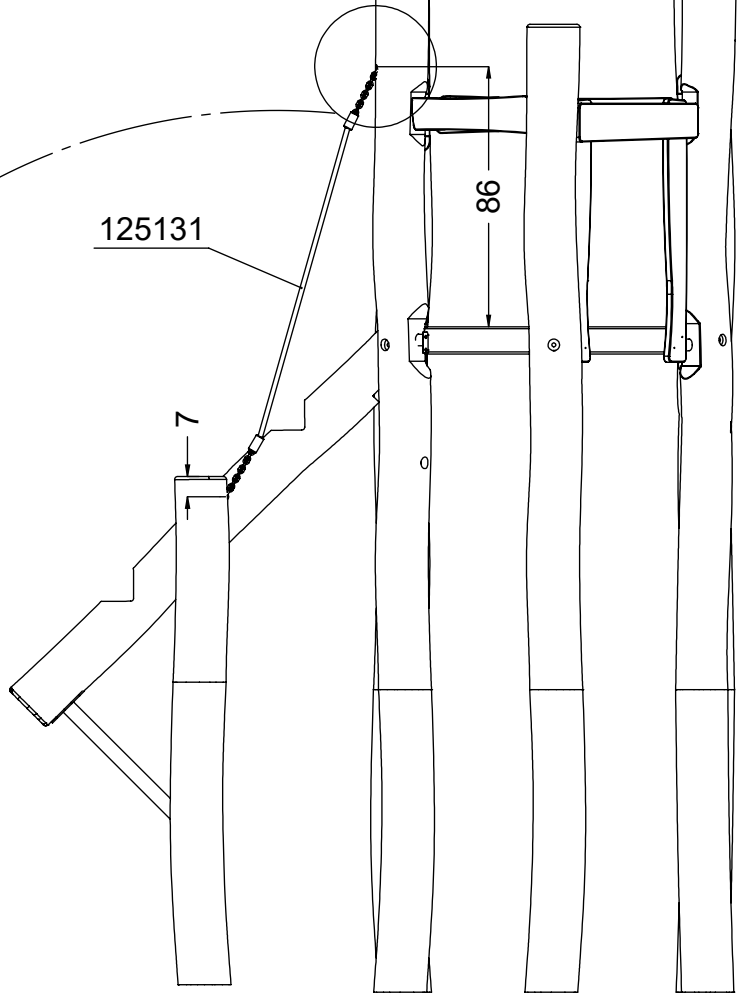
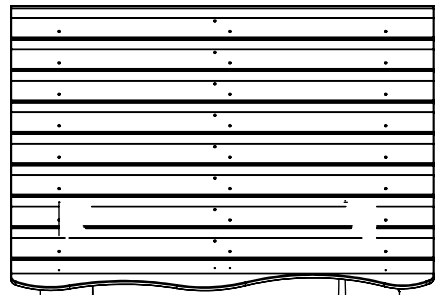


127332

127505

[cm]

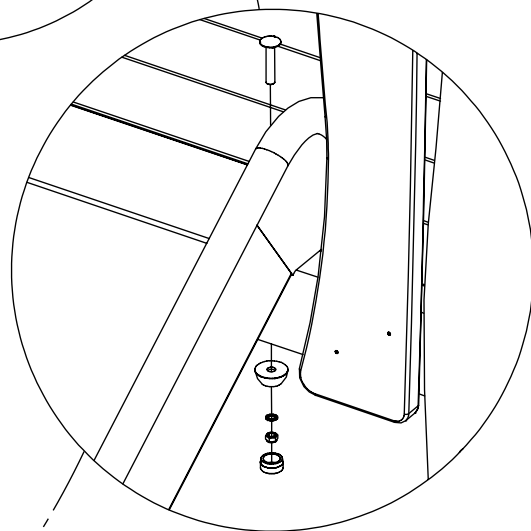
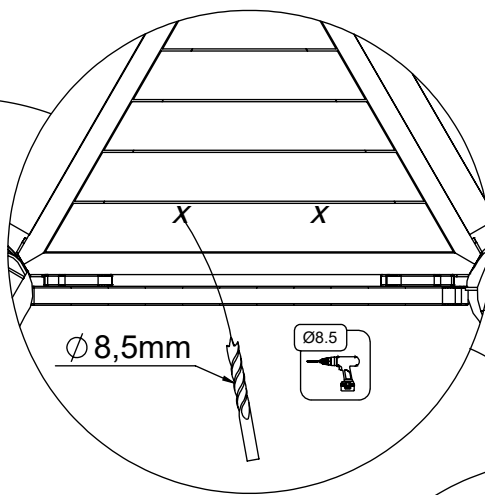
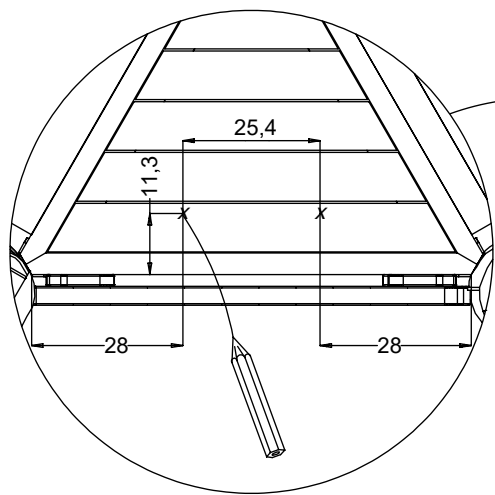
vinci
play



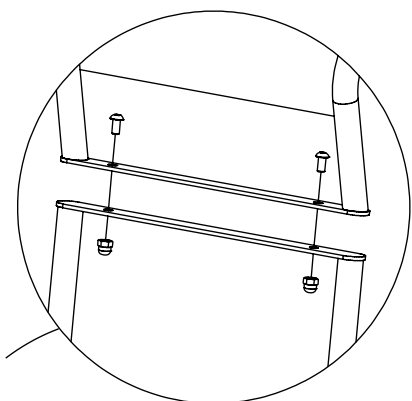
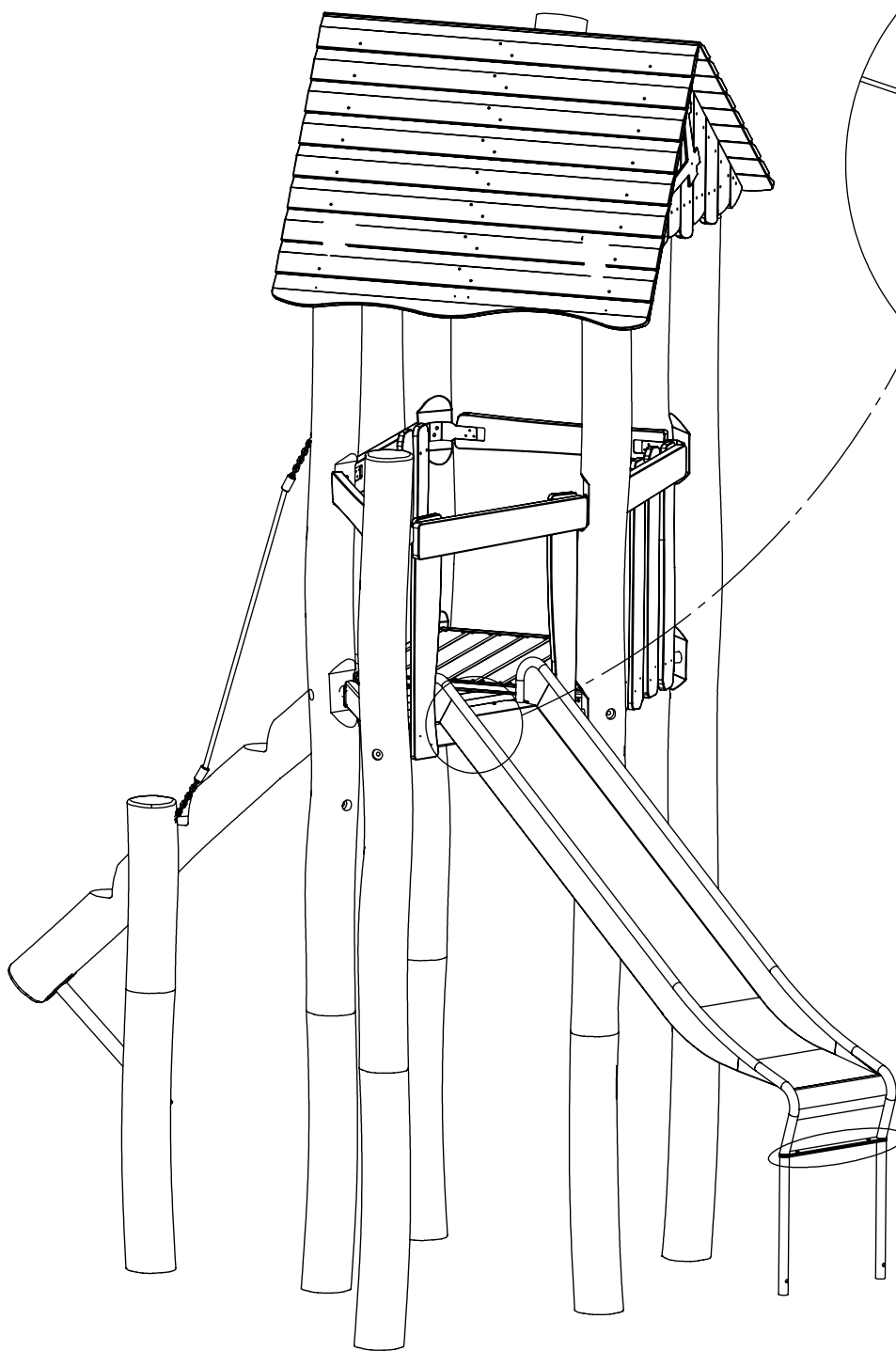
1x 12e007

[cm]

vinci
play



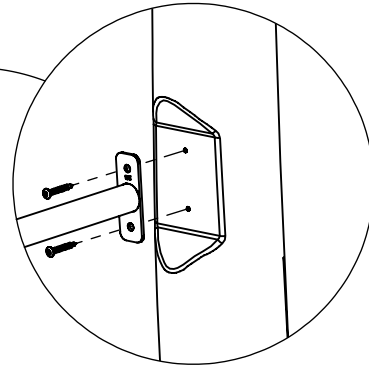
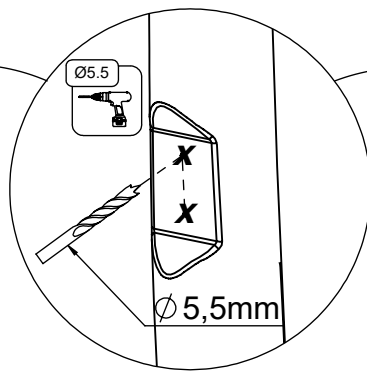
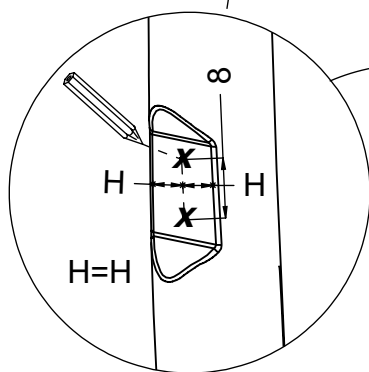
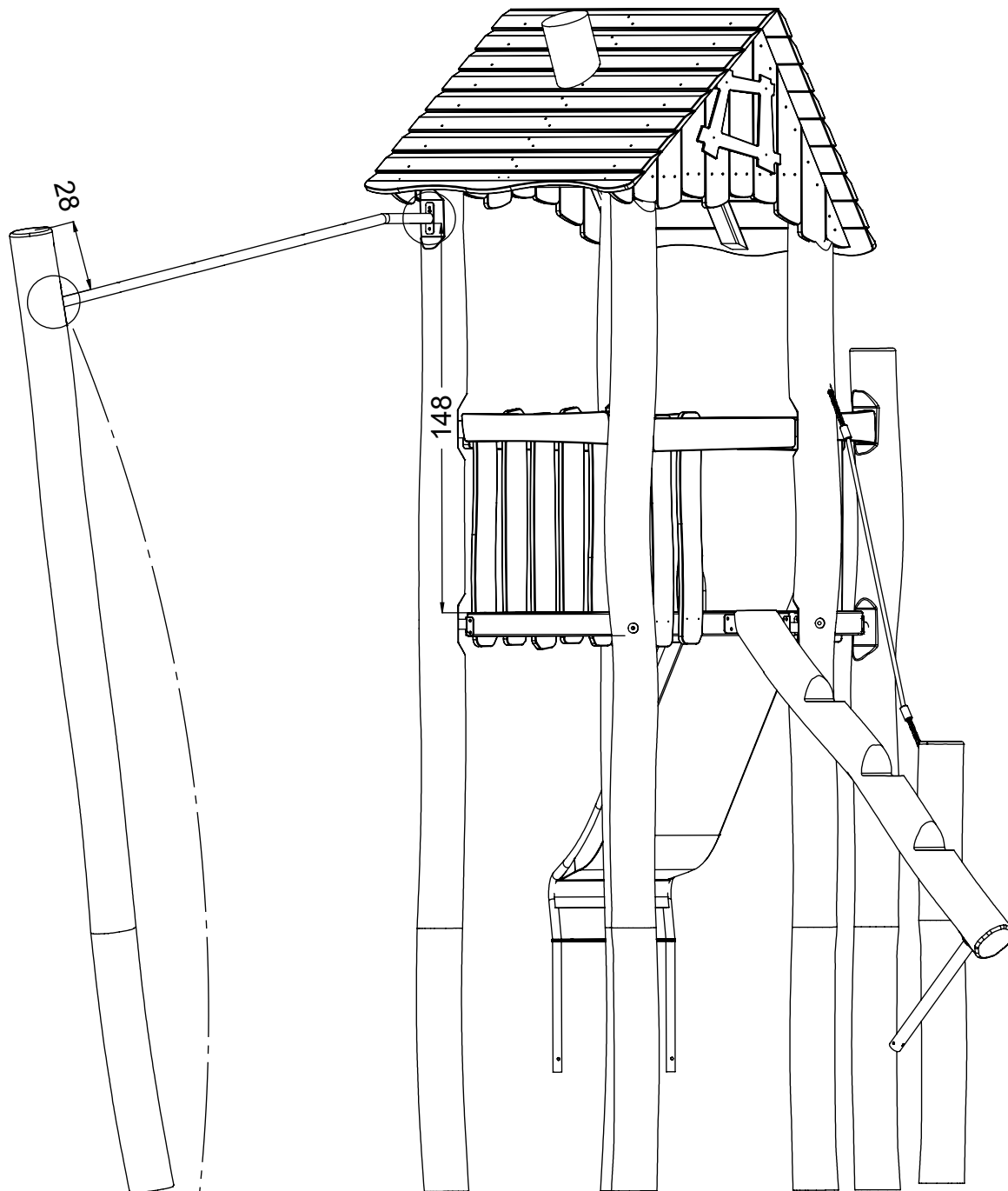
1x 12e019



1x 12e030

[cm]

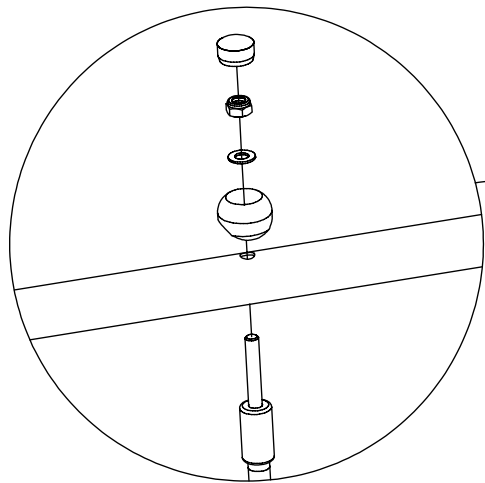
vinci
play



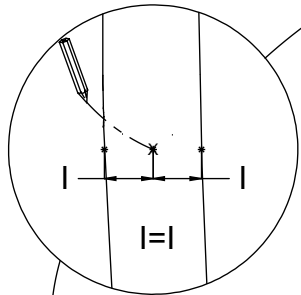
4x 8x50sxi

[cm]

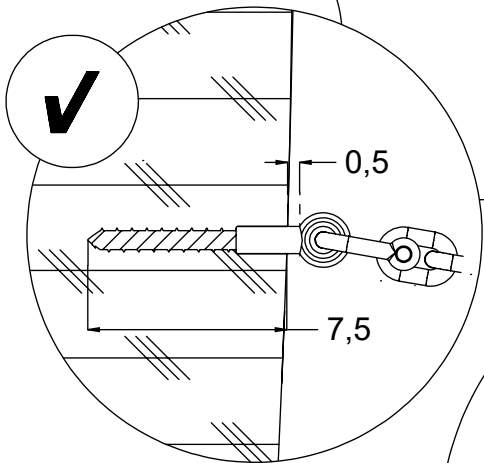
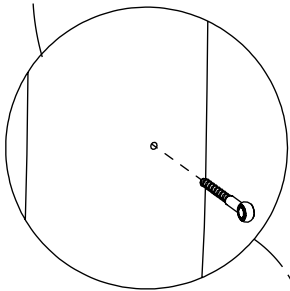
vinci
play



1x 12e035

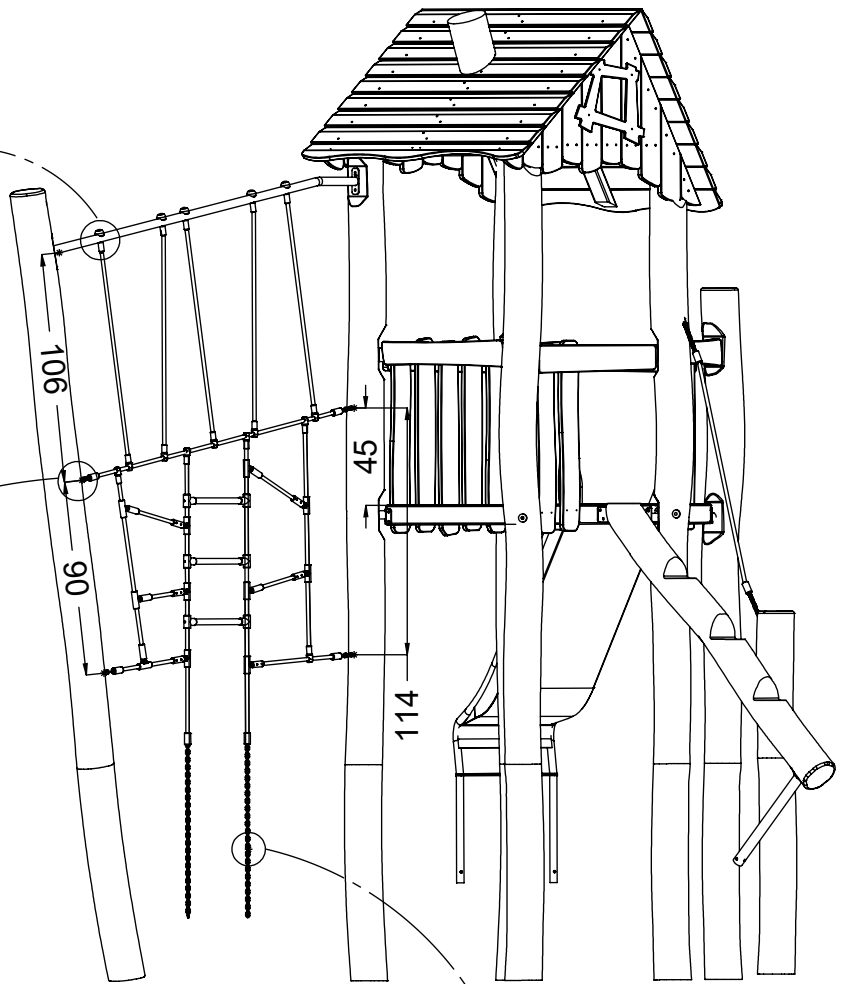


|=|



0,5

7,5

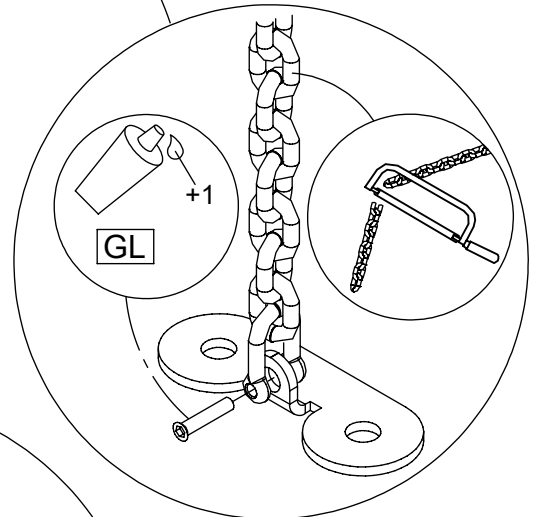


106

96

45

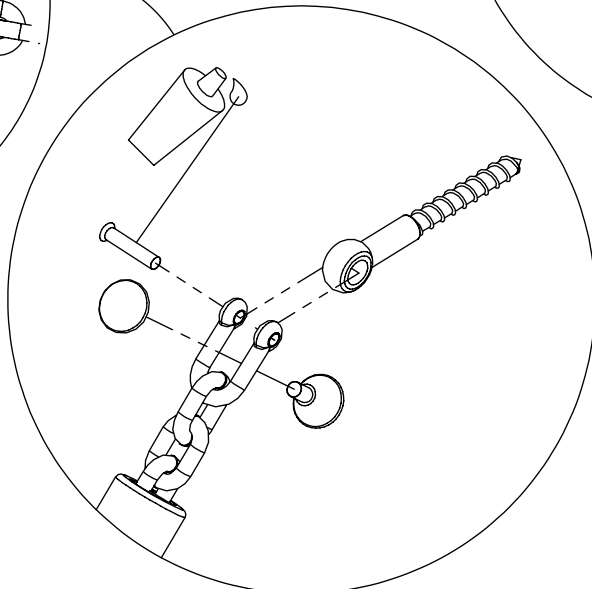
114



GL

+1

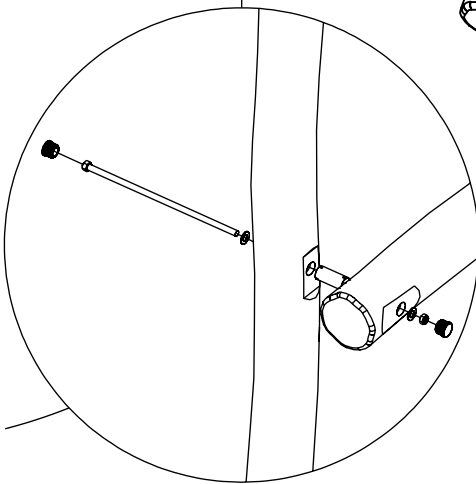
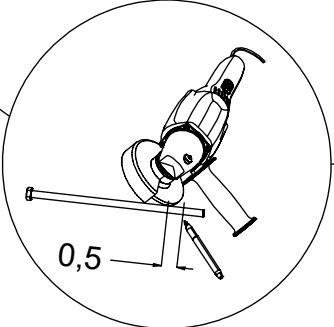
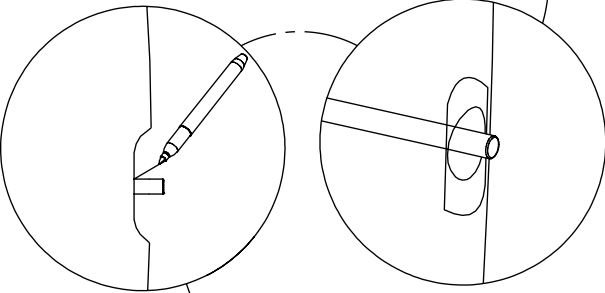
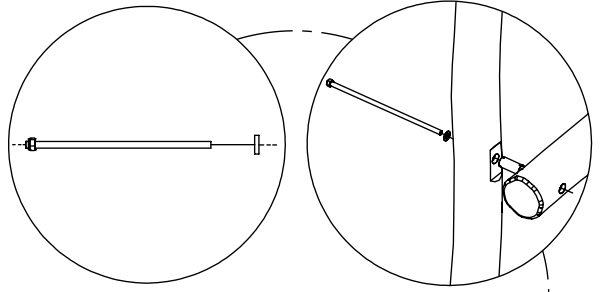
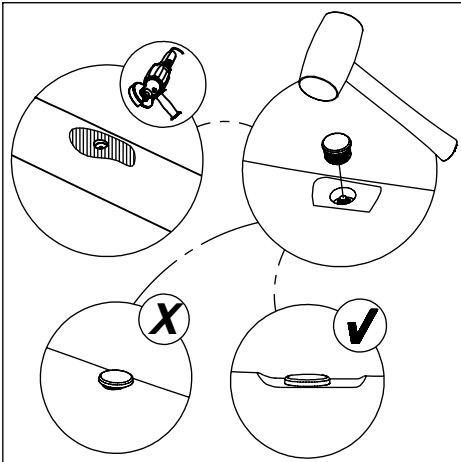
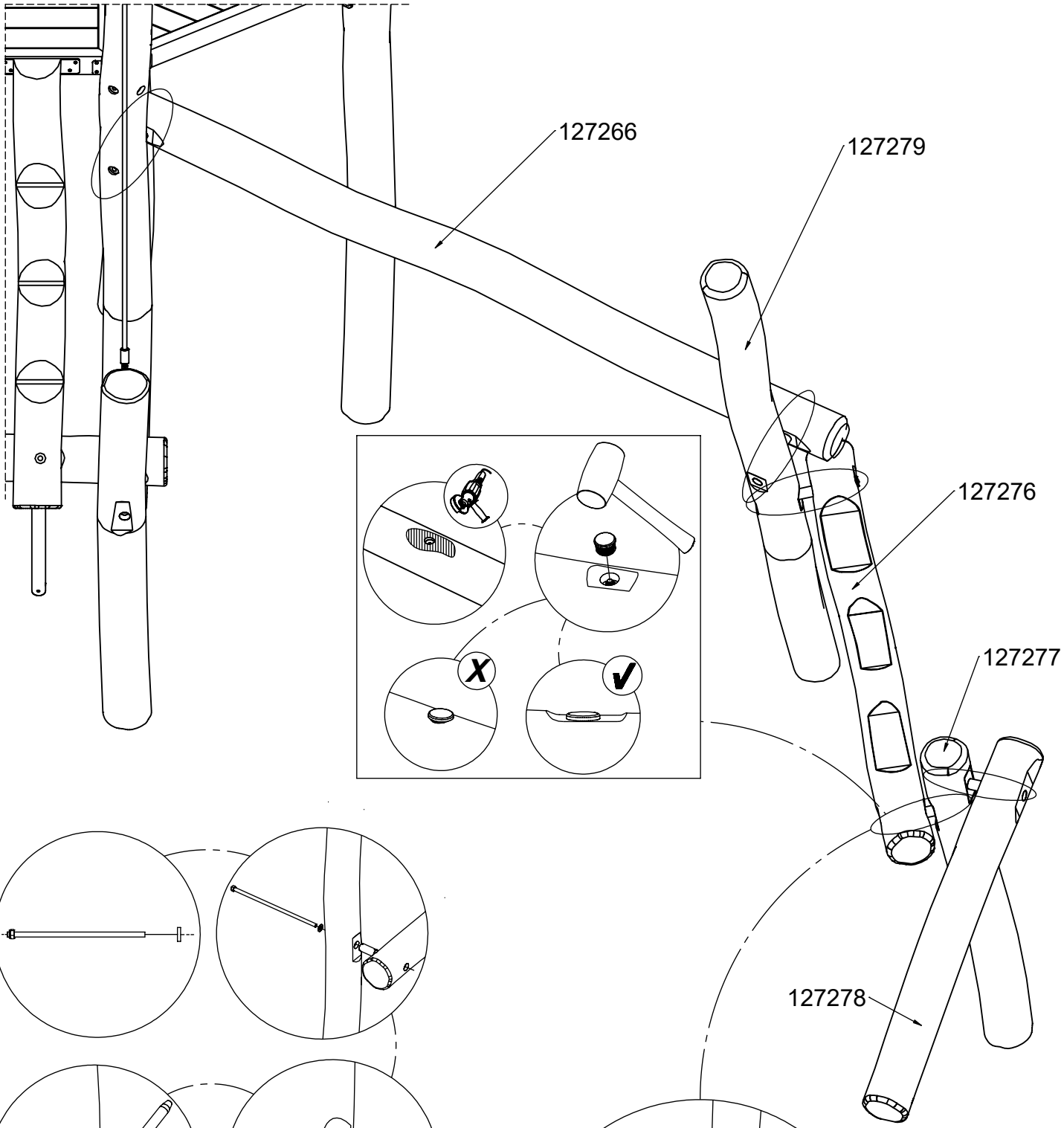
2x 12e052



2x 12e007

[cm]

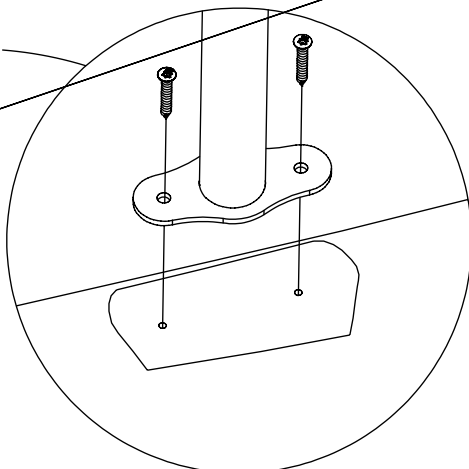
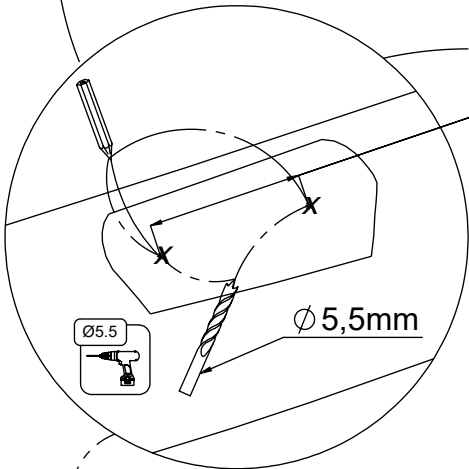
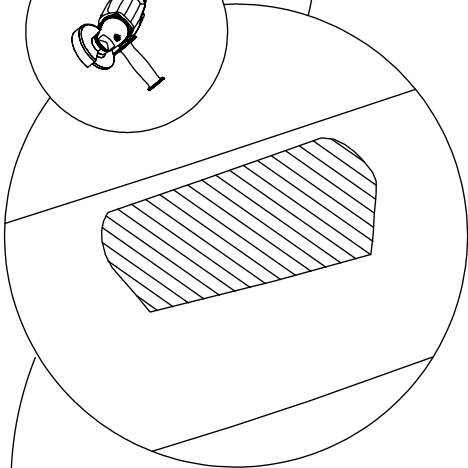
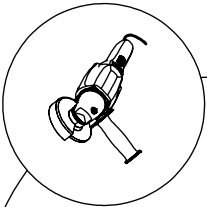
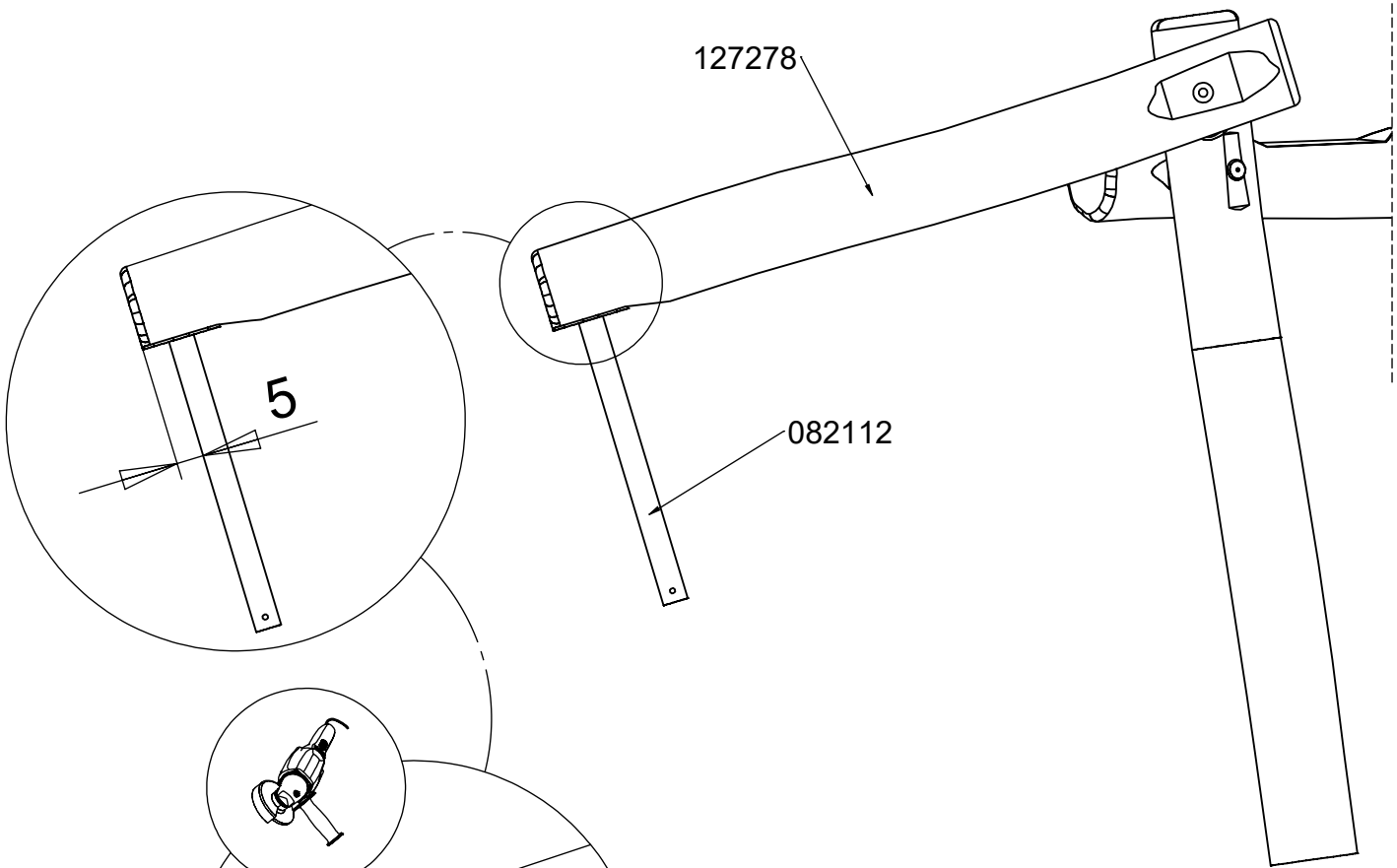
vinci play



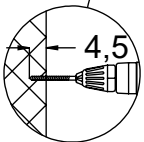
2x 12e022 1x 12e027

[cm]

vinci
play

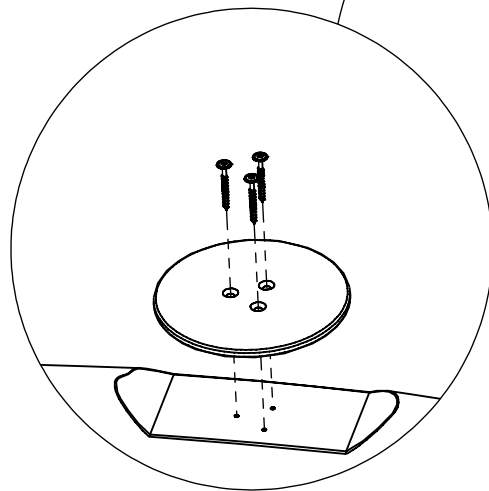
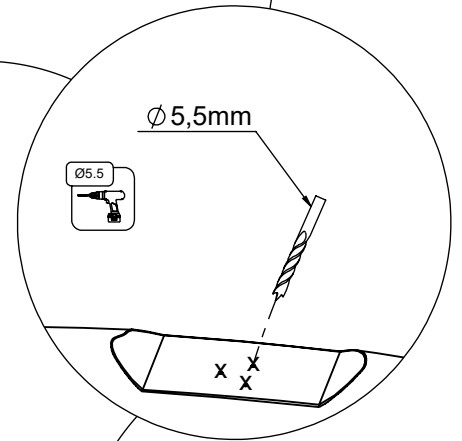
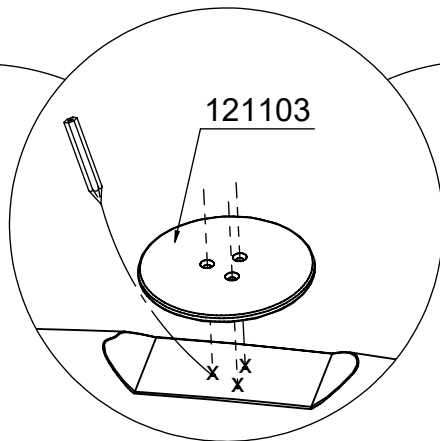
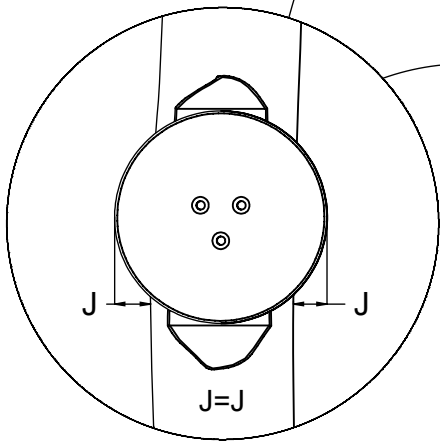
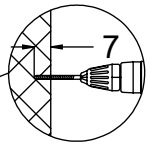
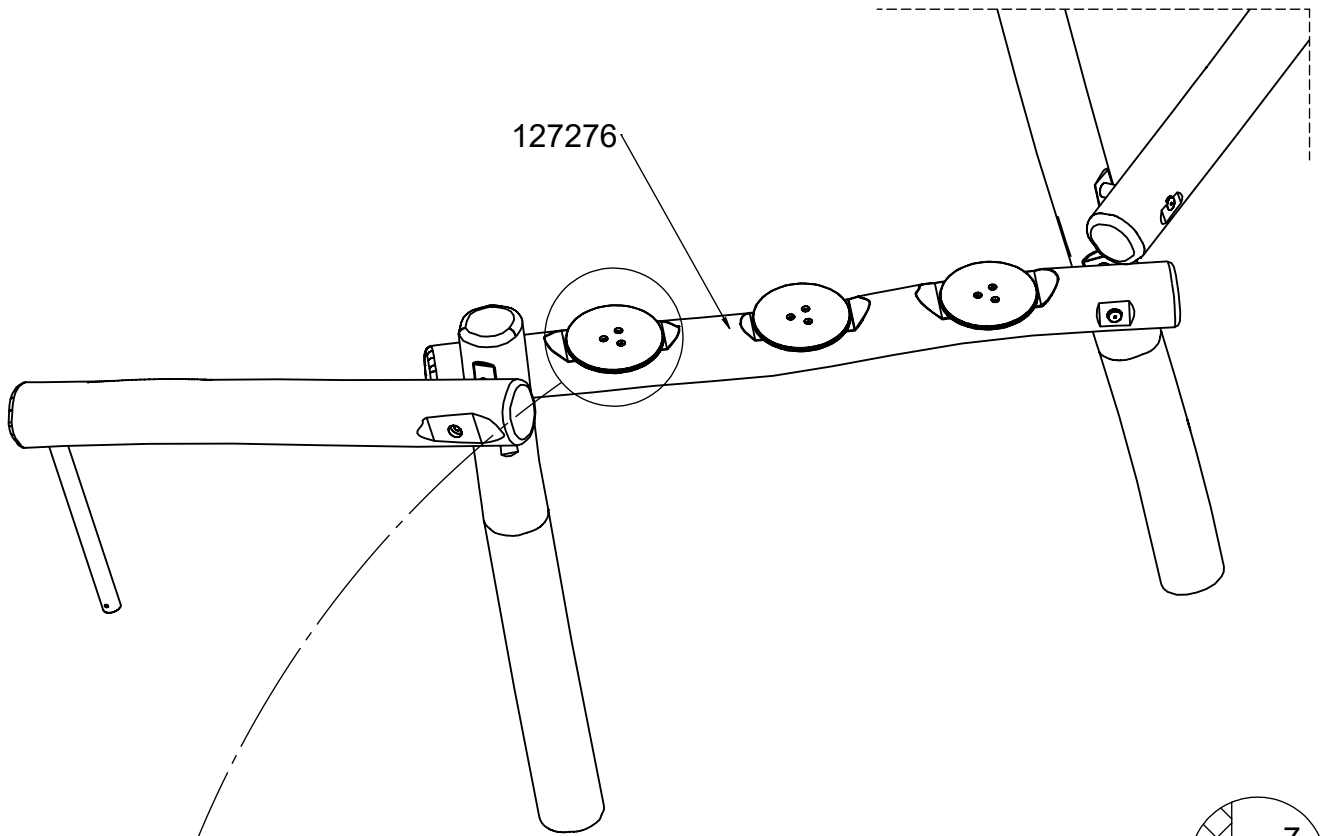


2x 8x50sxi



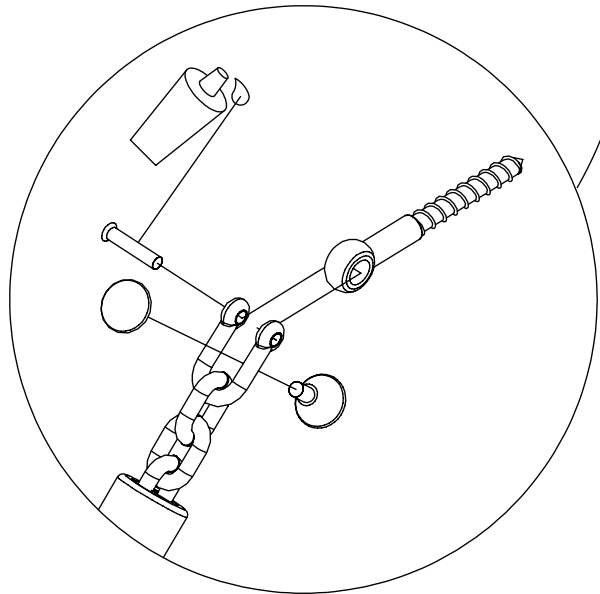
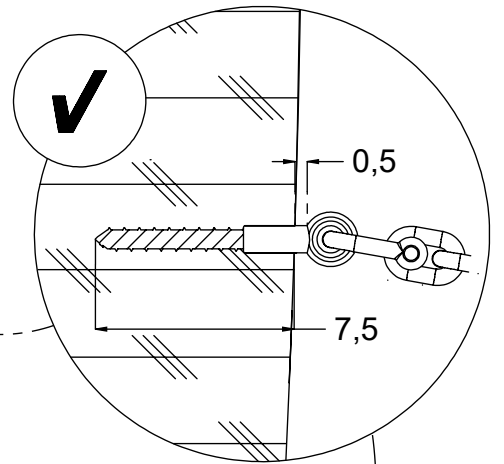
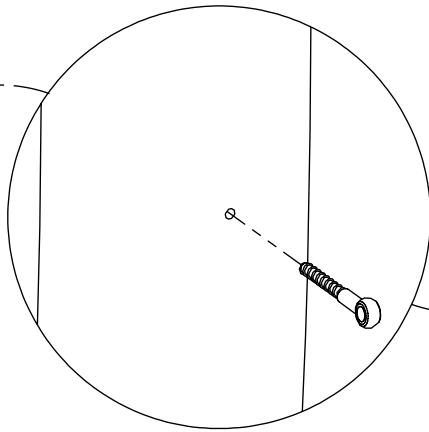
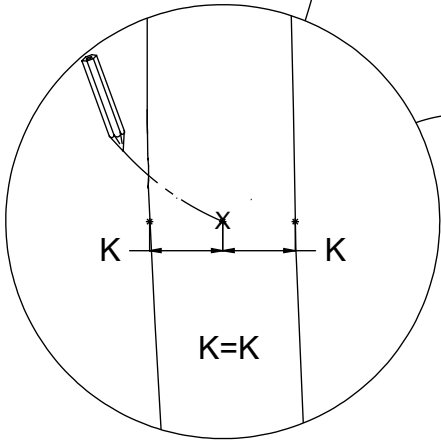
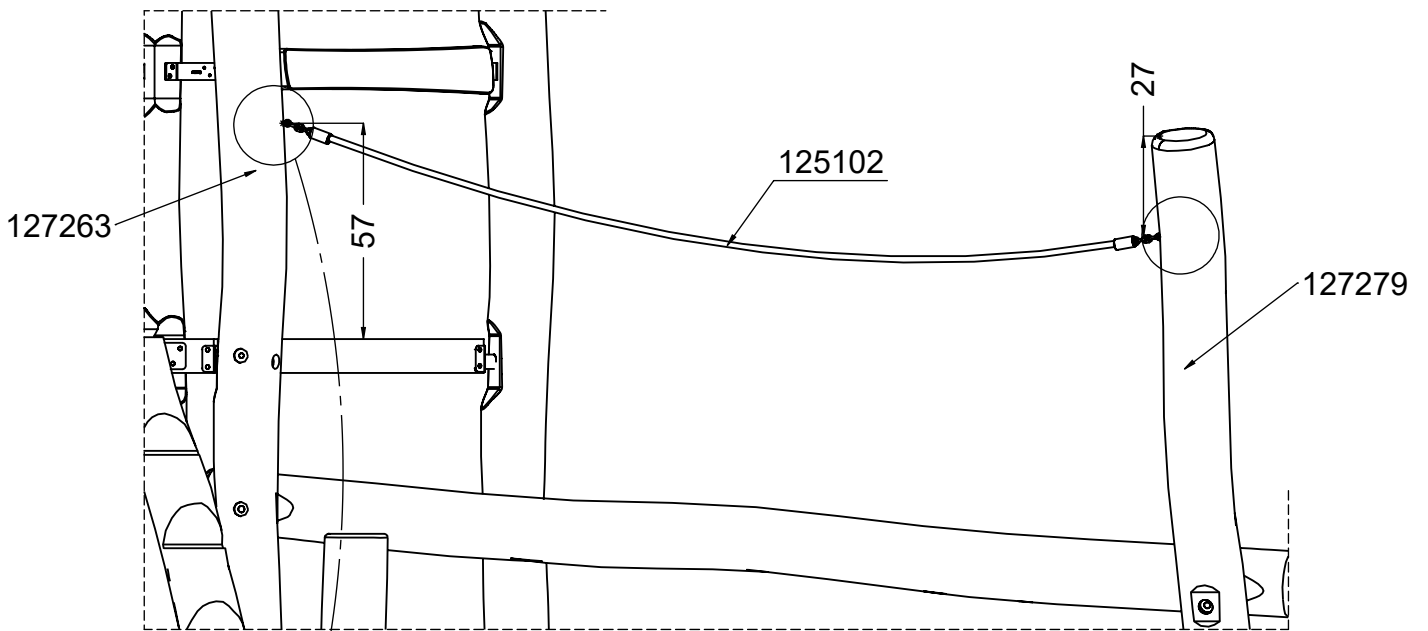
[cm]

vinci
play

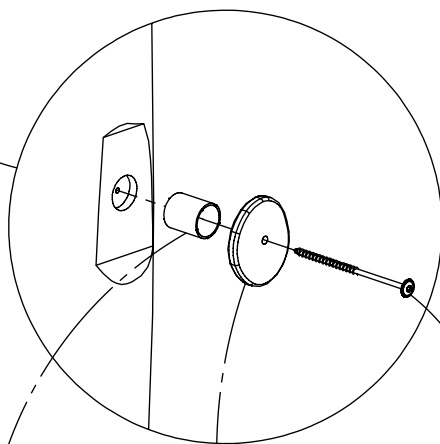
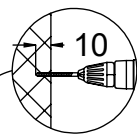
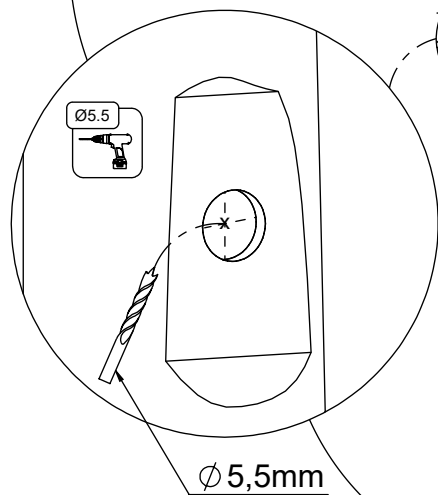
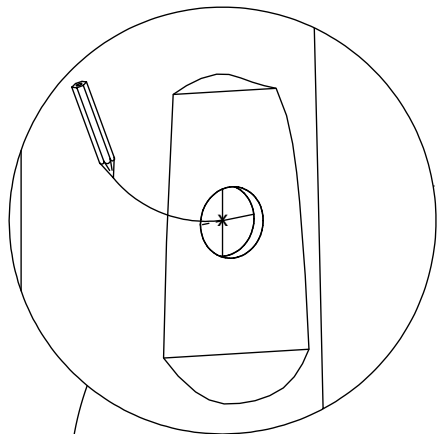


9x 8x80sxt

vinci
play



1x 12e007



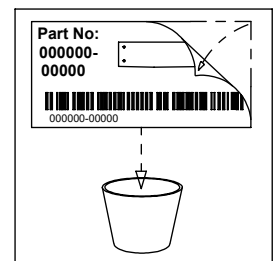
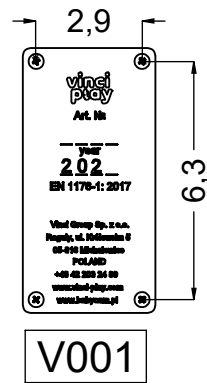
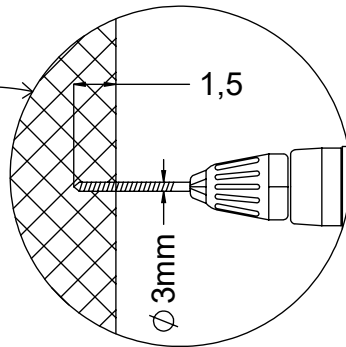
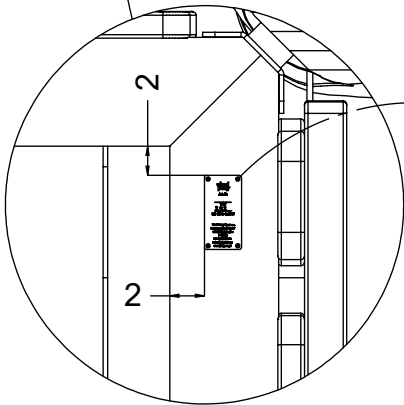
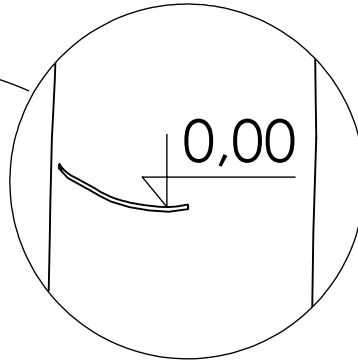
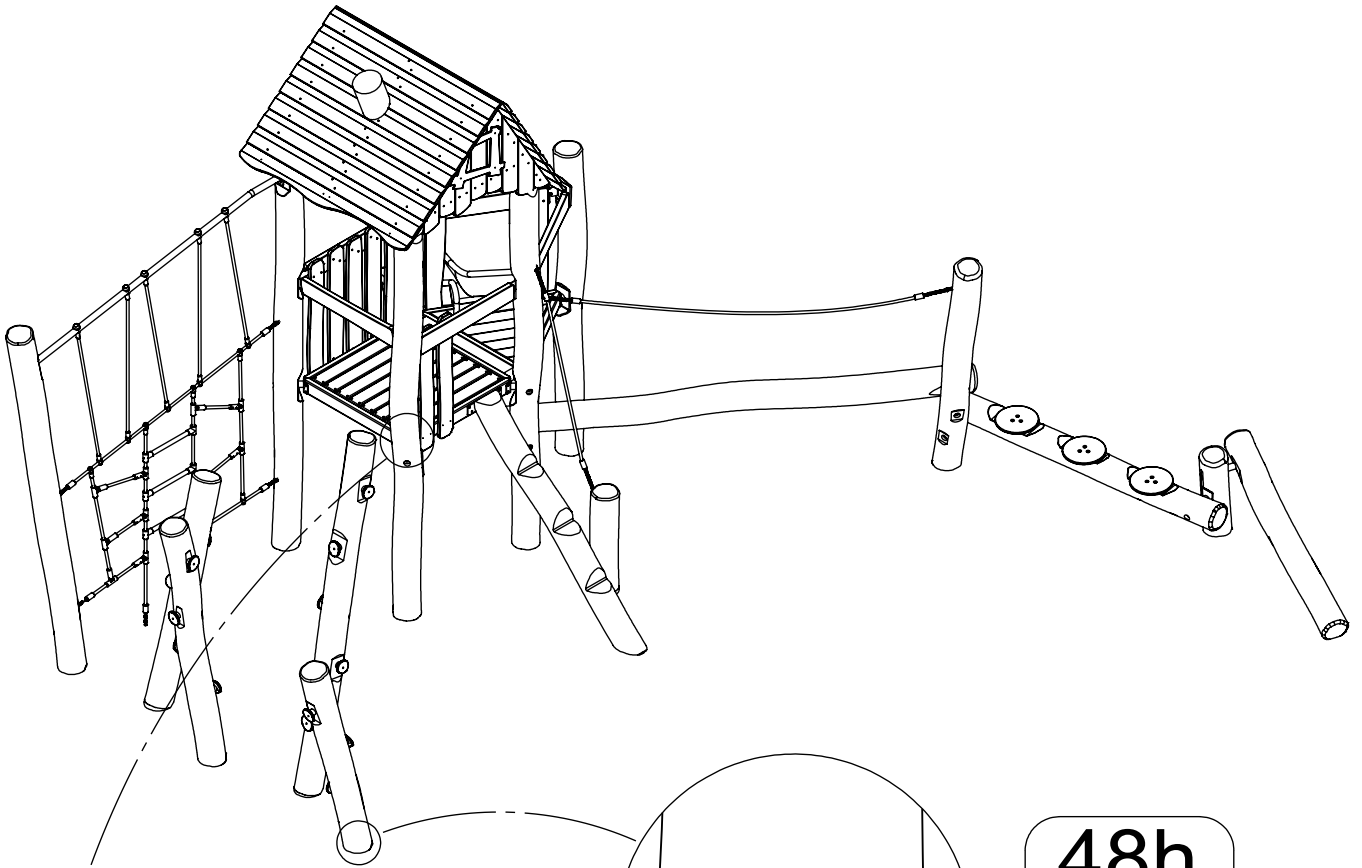
15x 123103

15x 121110

15x 8x160sxt

[cm]

vinci
play



[cm]

vinci
play