



**Product technical sheet**

**ROBINIA RB1234**



1+



9 kids



24,8 m<sup>2</sup>



**Material specification**

- Construction made of Robinia - very durable acacia wood with a diameter of ~ 18 cm without sharp edges, resistant to weather conditions,
- Platforms made of Robinia - very durable acacia wood, resistant to weather conditions,
- Side panels made of Robinia - very durable acacia wood without sharp edges, resistant to weather conditions
- Telescope made of stainless steel and durable HDPE plate, resistant to weather conditions,
- Flags / sails made of durable HPL plate, resistant to weather conditions,
- Rudder made of durable HDPE plate, resistant to weather conditions,
- Elements made of durable HPL plate, resistant to weather conditions,
- Bridge made of safe, certified rubber with textile reinforcement,
- Steel ropes in polypropylene braid, connected with durable aluminum, stainless steel and/or plastic elements,
- Calibrated stainless steel chains, preventing fingers entrapment,
- Screws covered with plastic caps and/or stainless steel screws,



**Facilitating disability**



easy access



integration



**Intellectual development**



manipulation



sight



thinking



**Physical development**



hiding

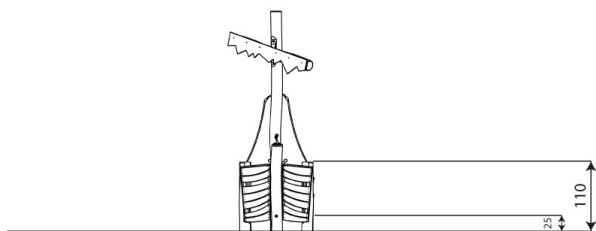
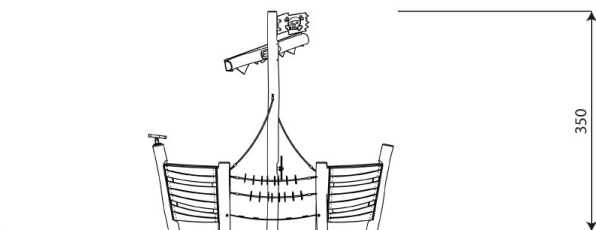
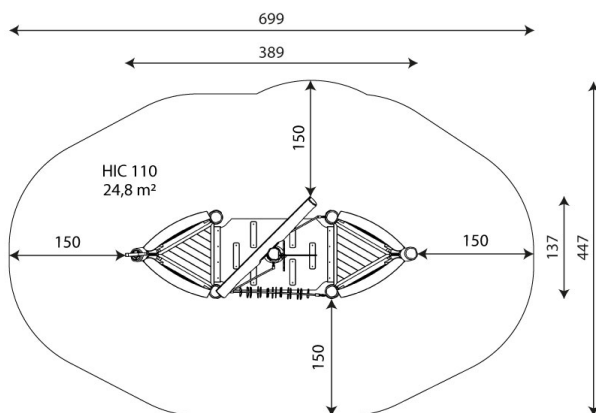




**2**  
number of towers



**3**  
number of interactive elements



**Product technical sheet**

**ROBINIA RB1234**

**Product data**

Length	389 cm
Width	137 cm
Total height	350 cm
Age group	1+ years
Number of users	9 kids
Safety zone	24,8 m2
Free fall height	110 cm
The height of the platforms	25 cm
In accordance with norm EN	1176-1:2017
Weight of the heaviest part	104 kg
Dimensions of the largest part	450x18x18 cm
Availability of spare parts	YES
Installation time	4 h

Data is subject to change without prior notice.

**Additional information**

- equipment adapted for the disabled; intended for public playgrounds;
- equipment has a certificate issued by an accredited entity or a declaration of conformity;
- no sharp edges or chinks that would pose a danger of jimming the head, fingers or any other body parts;
- anchoring on flat surface, 100/80/70/60 cm deep;
- render is for reference only, the actual appearance of the equipment and its color may vary;

**Guarantee**

**30** 30 year guarantee - Structural strength of steel and stainless steel components

**15** 15 year guarantee - Structural failure of steel and stainless steel, for dynamic equipment

**10** 10 year guarantee - Structural failure of high density polyethylene and high pressure laminates components

**5** 5 year guarantee - Corrosion of stainless steel and hot dip galvanized and powder coated components; against bark beetles and rot in case of wooden structural elements

Detailed information in the guarantee card



## Surfaces according to EN 1176-1:2017

	Description (mm)	Layer thickness (cm)	Maximum fall heights (cm)
Turf/ top layer of soil (A,B,C)	-	-	≤100
bark (A,C)	Particle size from 20 to 80	30	≤200
		40	≤300
woodchips (A,C)	Particle size from 5 to 30	30	≤200
		40	≤300
sand or gravel (A,C)	Particle size from 0,25 to 8	30	≤200
		40	≤300
synthetic attested (A,B,C)	Tested according to EN 1177		110

## Product technical sheet

# ROBINIA RB1234

### Amount of safe surface corresponding with free fall height:

HIC 110 24,8 m<sup>2</sup>

Data is subject to change without prior notice.

