

ROBINIA RB1373



3 - 12 years



8 kids



23,8 m²

Material specification

- Hot-dip galvanized and powder coated or powder galvanized and powder coated steel construction,
- Platforms made of Robinia - very durable acacia wood, resistant to weather conditions,
- Seats/backrests made of durable HPL plate, resistant to weather conditions,
- Stainless steel handrails,
- Stainless steel and/or galvanized steel screws,

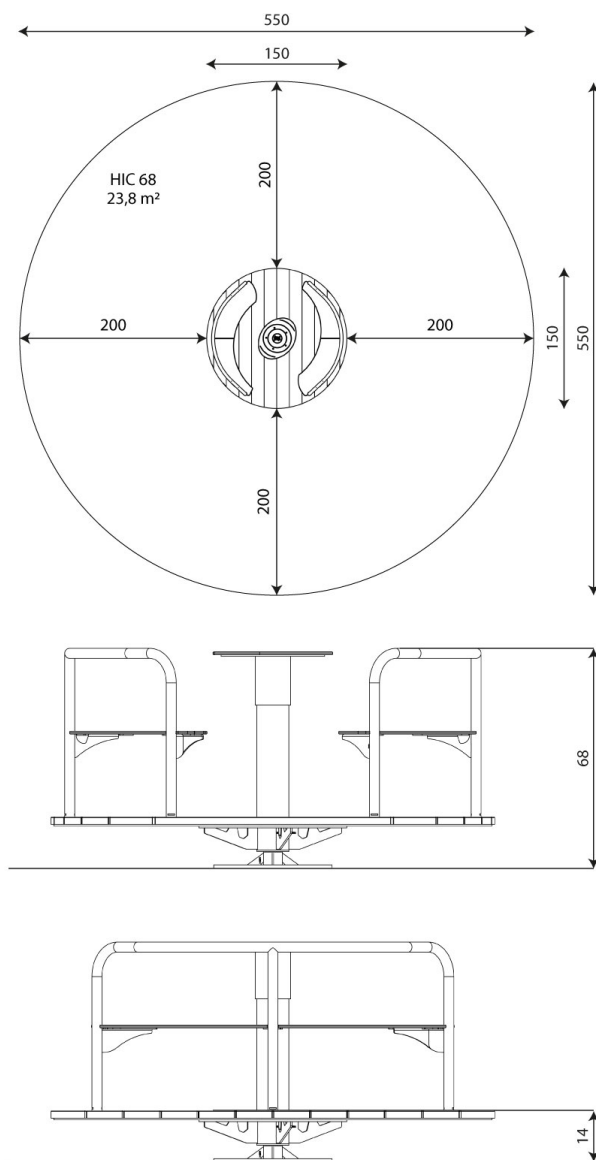


Physical development



spinning





Product technical sheet

ROBINIA RB1373

Product data

Length	150 cm
Width	150 cm
Total height	68 cm
Age group	3 - 12 years
Number of users	8 kids
Safety zone	23,8 m2
Free fall height	68 cm
The height of the platforms	14 cm
In accordance with norm EN	1176-1:2017
Weight of the heaviest part	71 kg
Dimensions of the largest part	148x1478x1 cm
Availability of spare parts	YES
Installation time	1,5 h

Data is subject to change without prior notice.

Additional information

- equipment intended for public playgrounds;
- equipment has a certificate issued by an accredited entity or a declaration of conformity;
- no sharp edges or chinks that would pose a danger of jimmieing the head, fingers or any other body parts;
- anchoring on flat surface, 80/70/60 cm deep;
- render is for reference only, the actual appearance of the equipment and its color may vary;

Guarantee

- 30** 30 year guarantee - Structural strength of steel and stainless steel components
- 15** 15 year guarantee - Structural failure of steel and stainless steel, for dynamic equipment
- 10** 10 year guarantee - Structural failure of high density polyethylene and high pressure laminates components
- 5** 5 year guarantee - Corrosion of stainless steel and hot dip galvanized and powder coated components; against bark beetles and rot in case of wooden structural elements

Detailed information in the guarantee card



Surfaces according to EN 1176-1:2017

	Description (mm)	Layer thickness (cm)	Maximum fall heights (cm)
Turf/ top layer of soil (A,B,C)	-	-	≤100
bark (A,C)	Particle size from 20 to 80	30	≤200
		40	≤300
woodchips (A,C)	Particle size from 5 to 30	30	≤200
		40	≤300
sand or gravel (A,C)	Particle size from 0,25 to 8	30	≤200
		40	≤300
synthetic attested (A,B,C)	Tested according to EN 1177		100

Product technical sheet

ROBINIA RB1373

Amount of safe surface corresponding with free fall height:

HIC 100 23,8 m²

Data is subject to change without prior notice.

