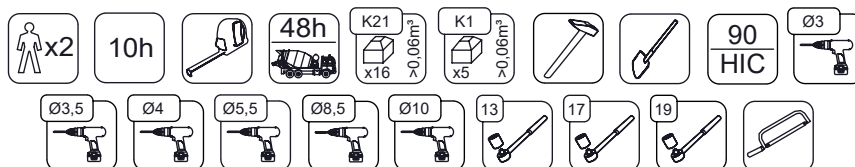
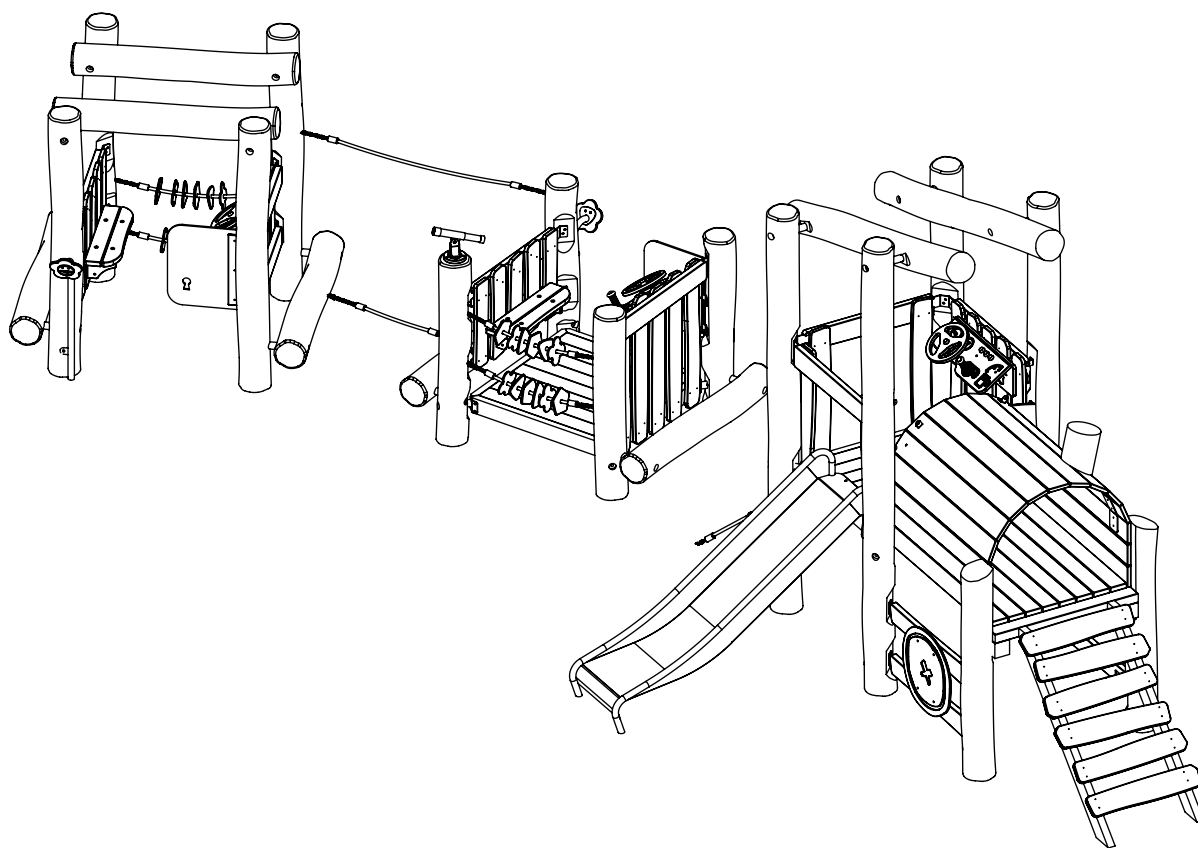
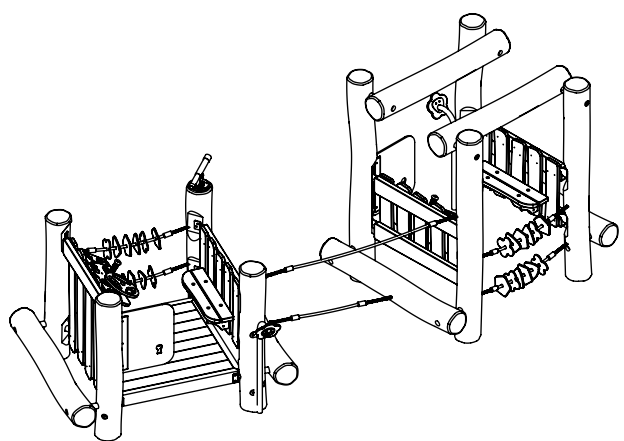
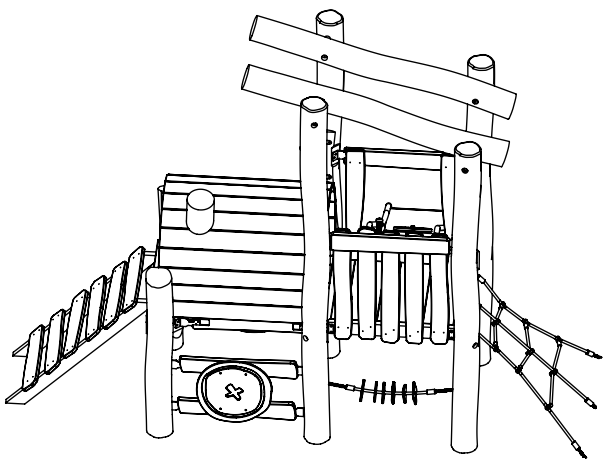
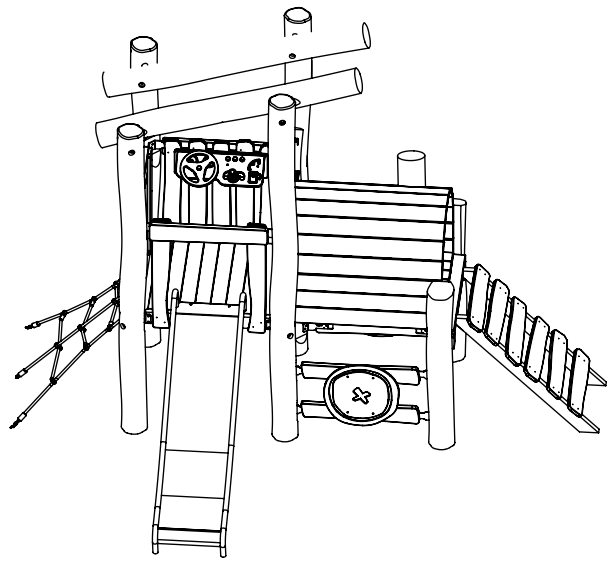
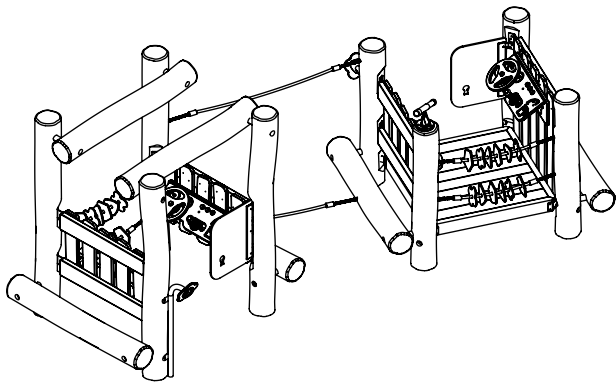


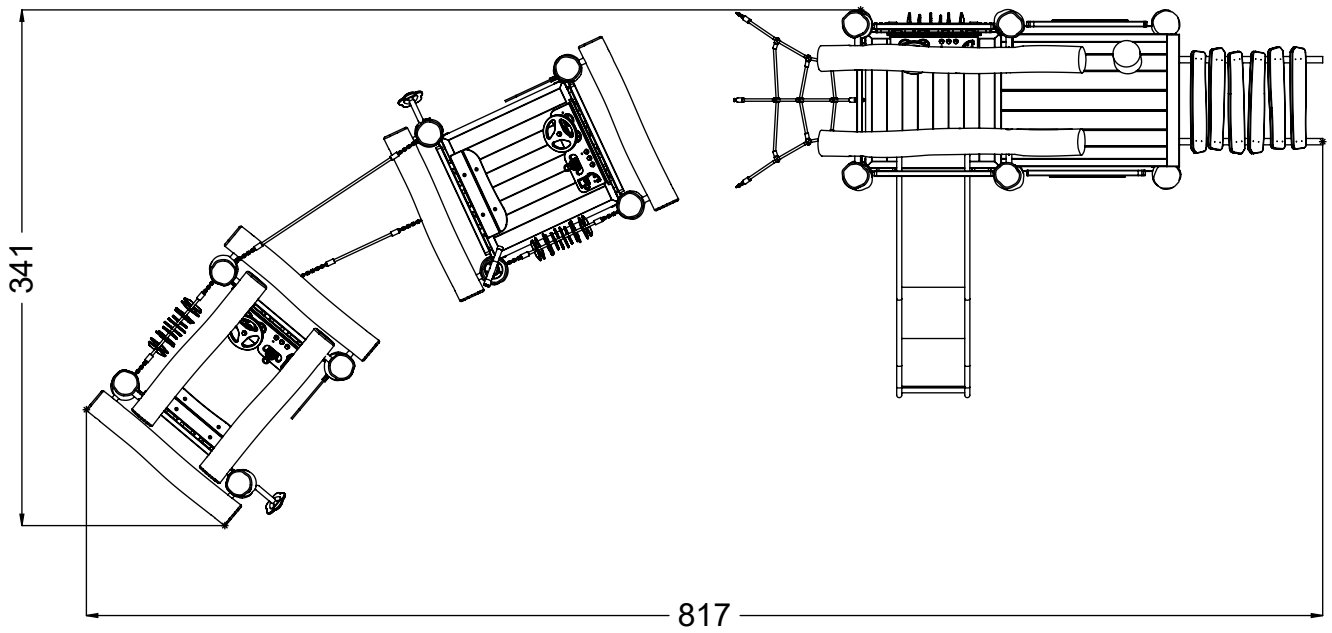
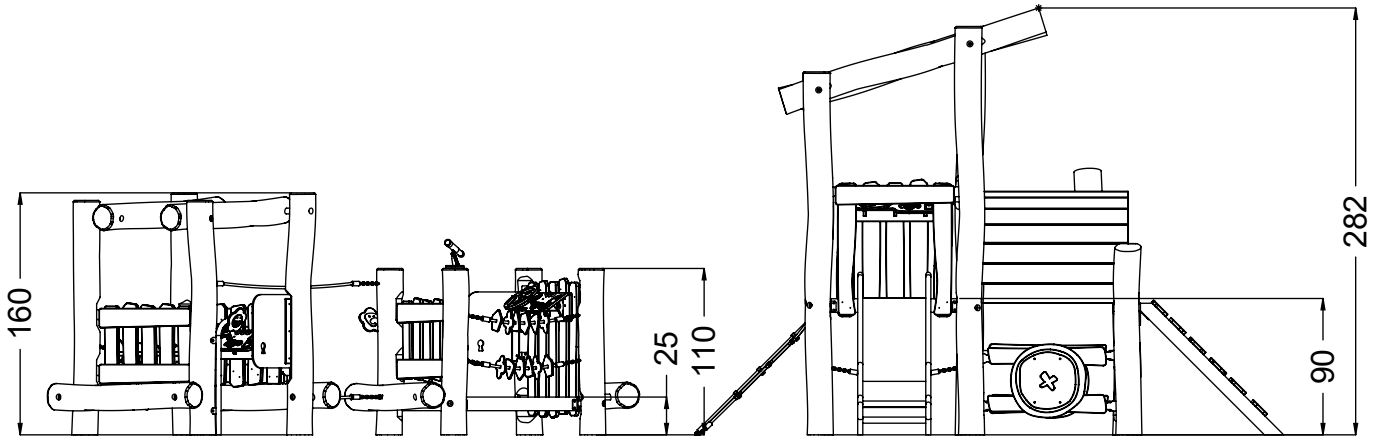
# RB1246



v010  
16.01.2021  
A.K.  
[cm]

vinci  
play

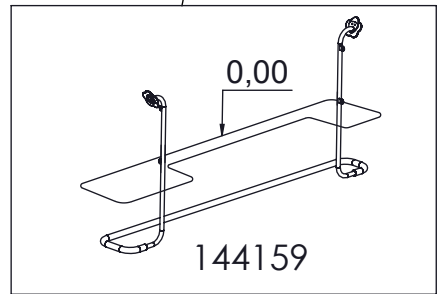
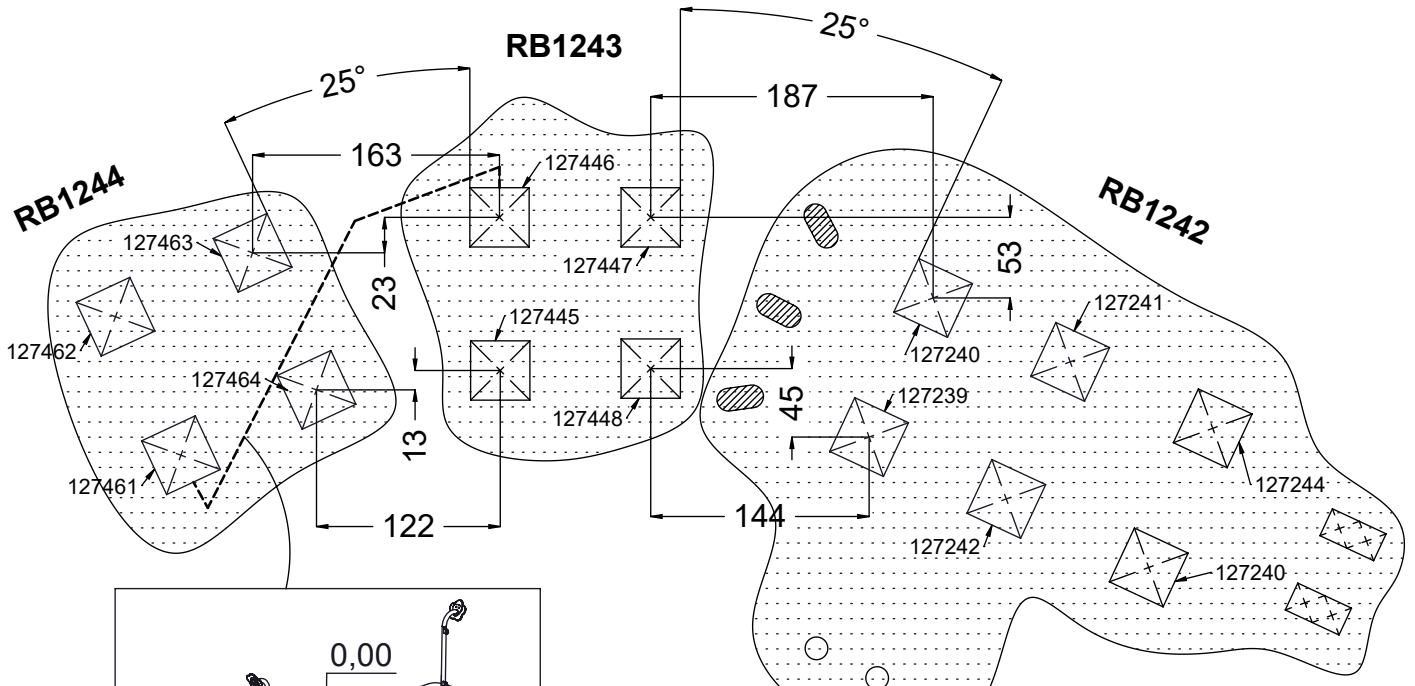
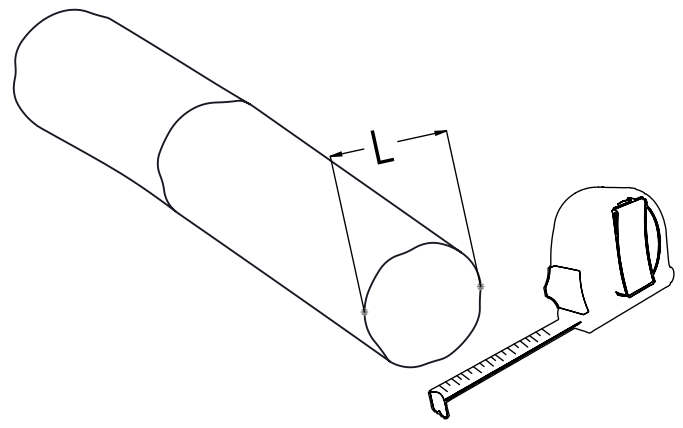
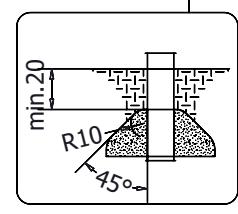
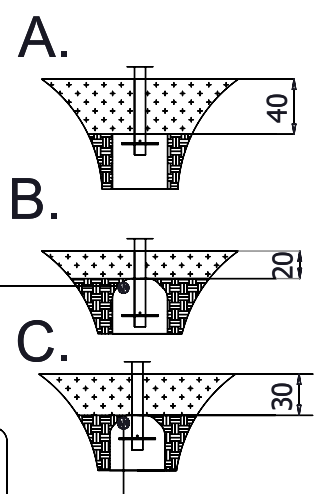
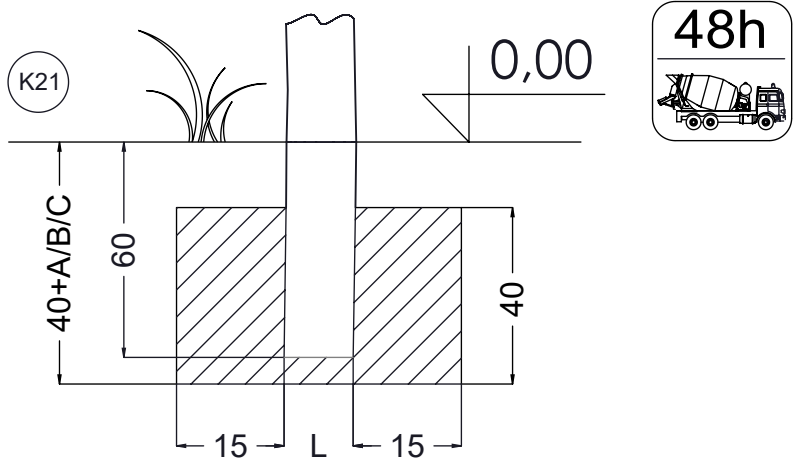




[cm]



vinci  
play



[cm]

x2

10h

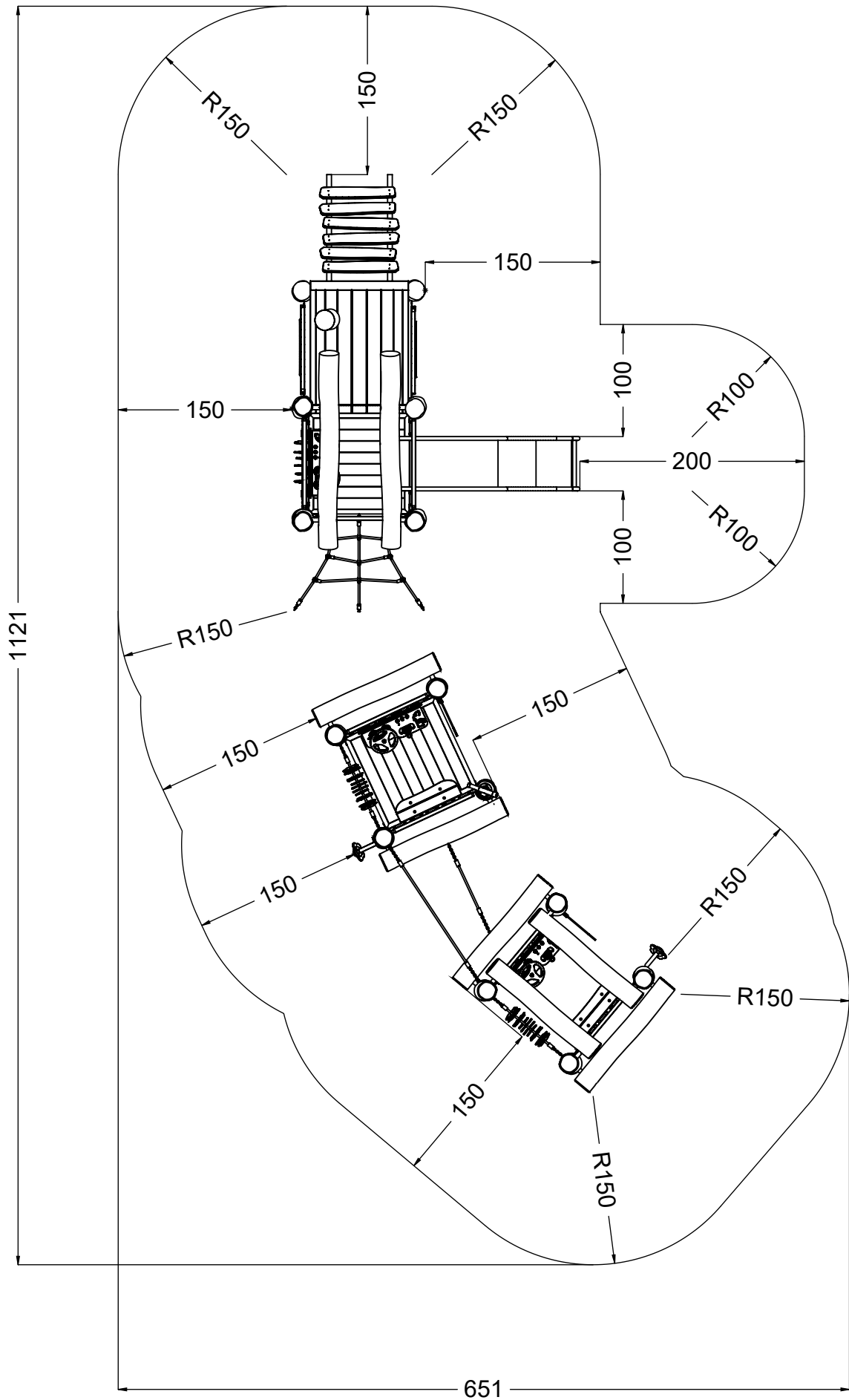
48h

K21

x16

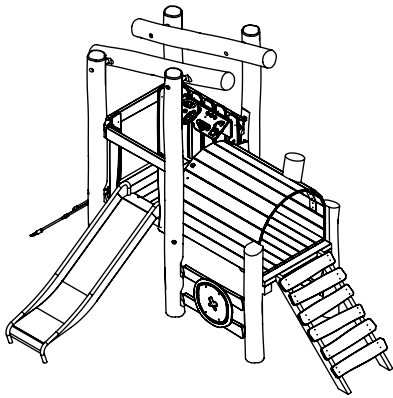
>0,06m³

vinci play

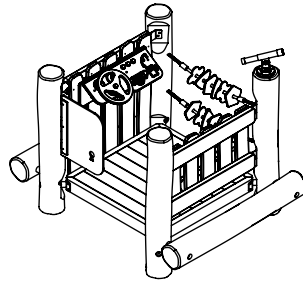


[cm]

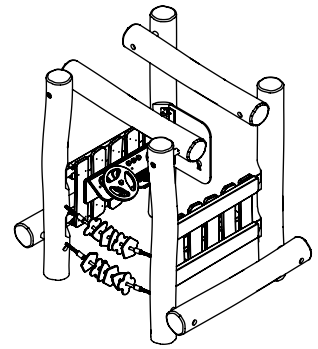
vinci  
play



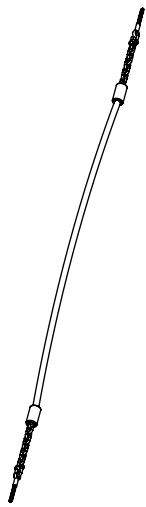
RB1242  
x1



RB1243  
x1



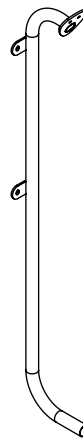
RB1244  
x1



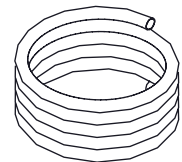
125131  
x1



125135  
x1

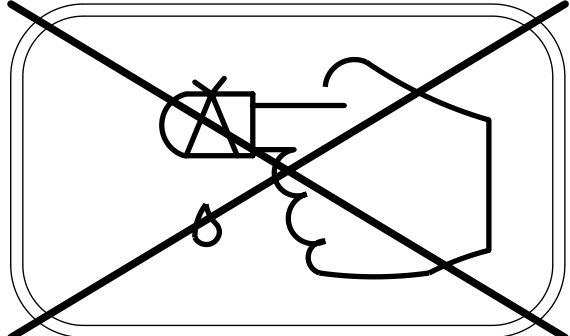
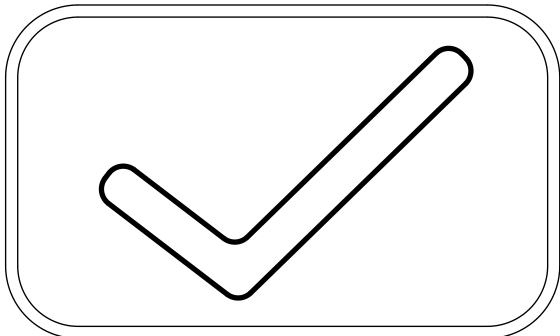
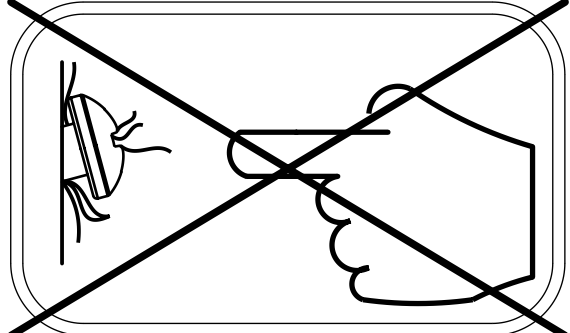
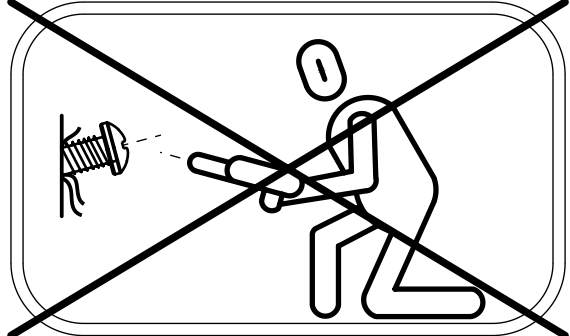


142121  
x2



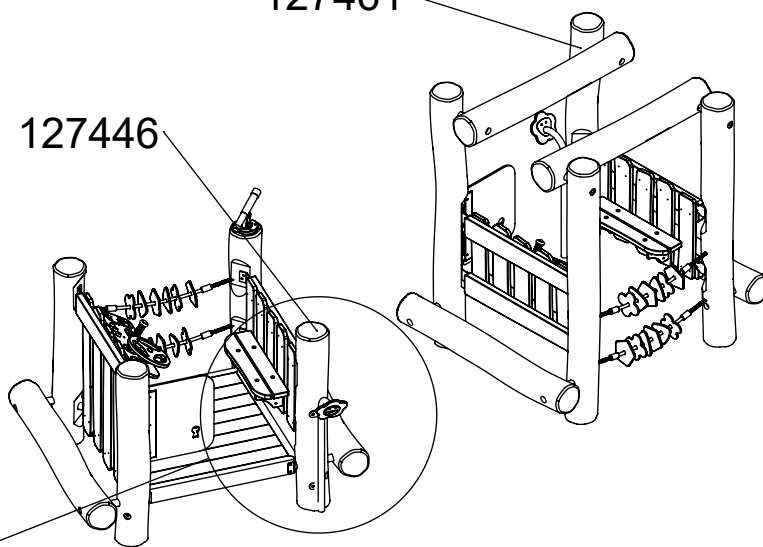
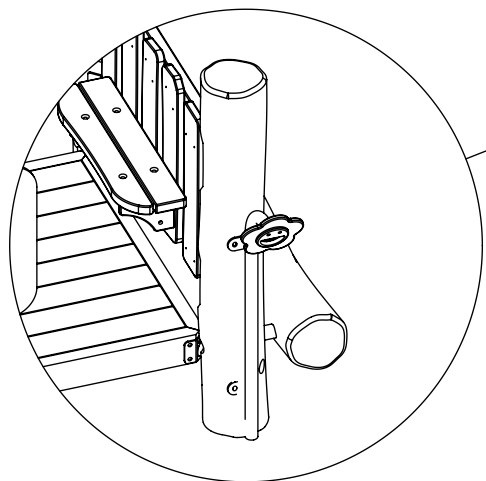
996115  
x1

4x	8x50sxi
2x	12e007
2x	12e076
2x	Z18
1x	V001

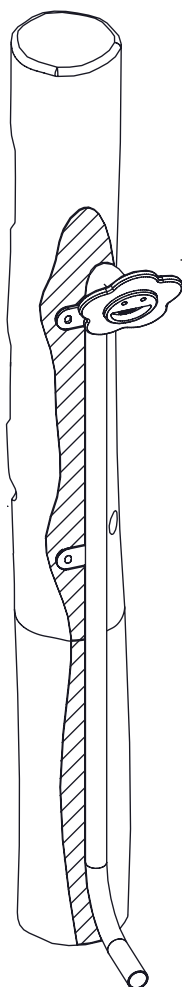
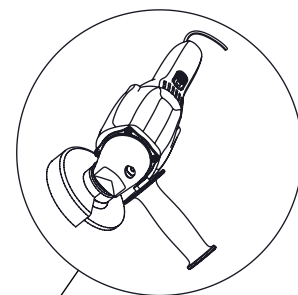


127461

127446



1.



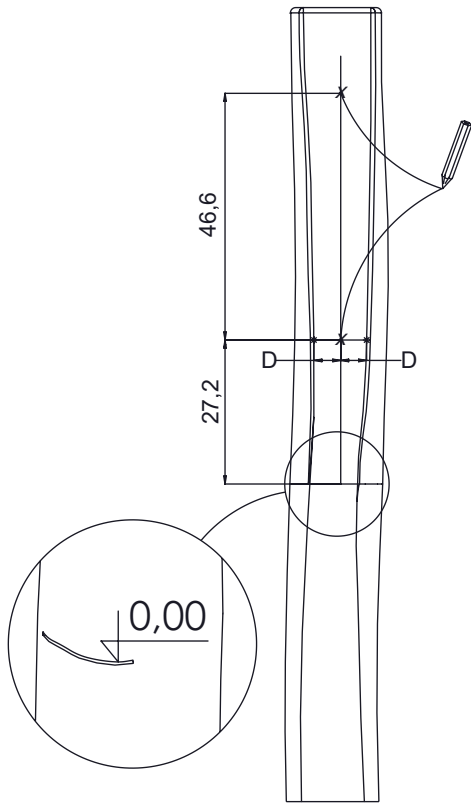
127446  
127461

[cm]

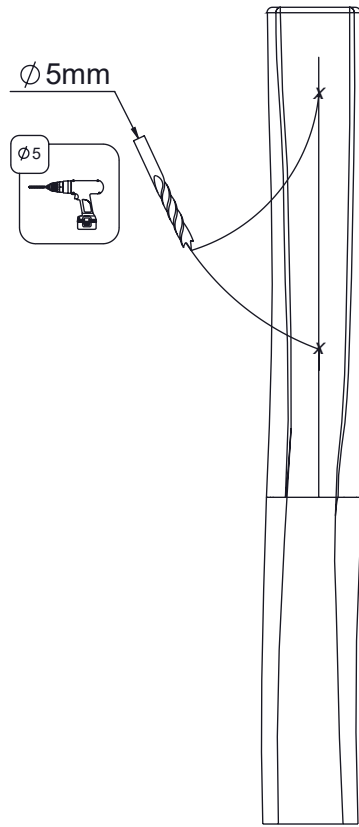
vinci  
play



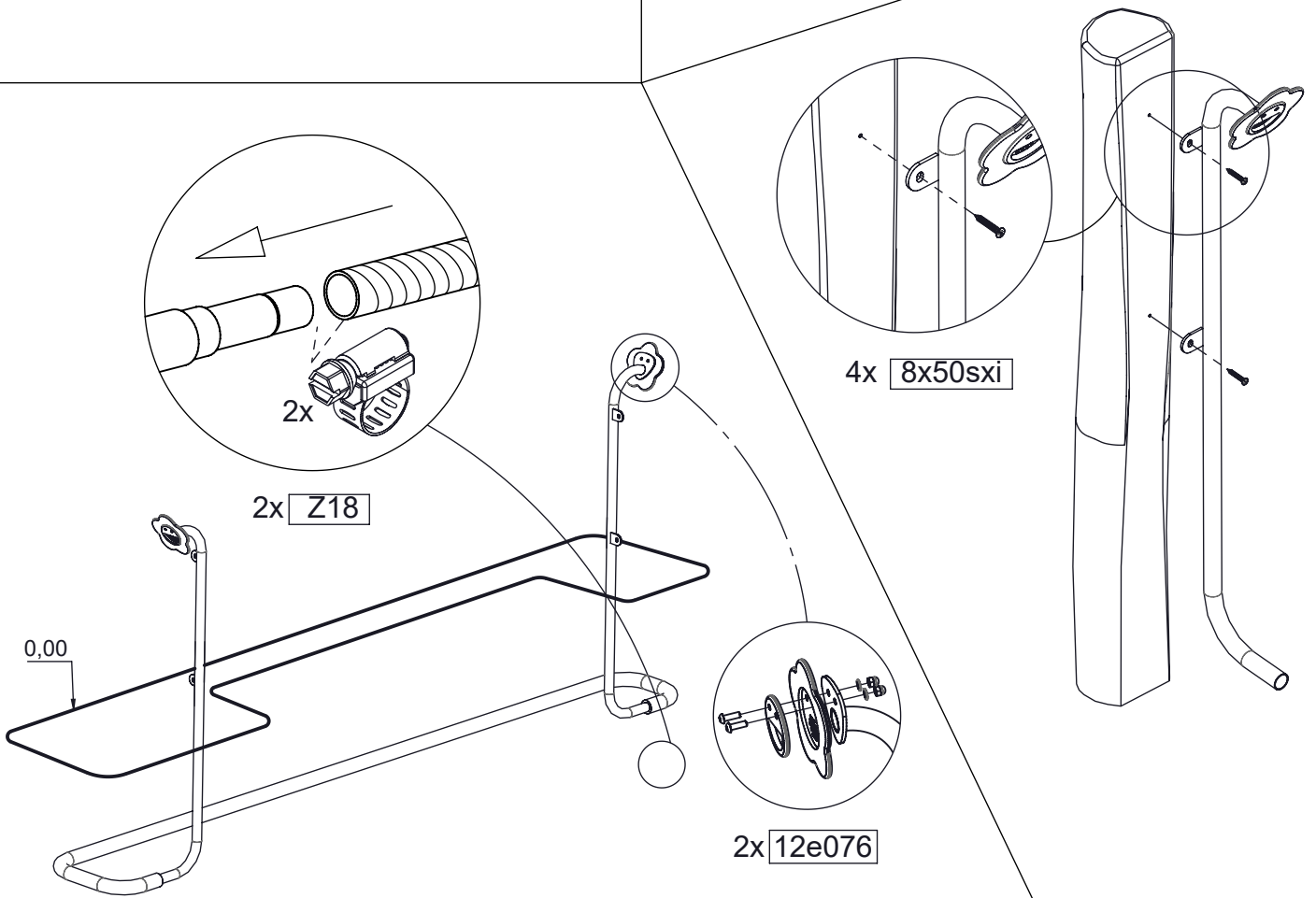
2.

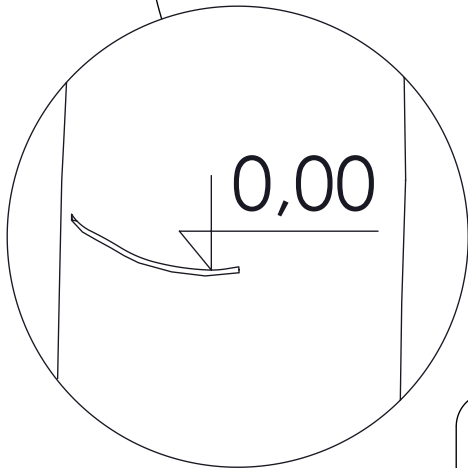
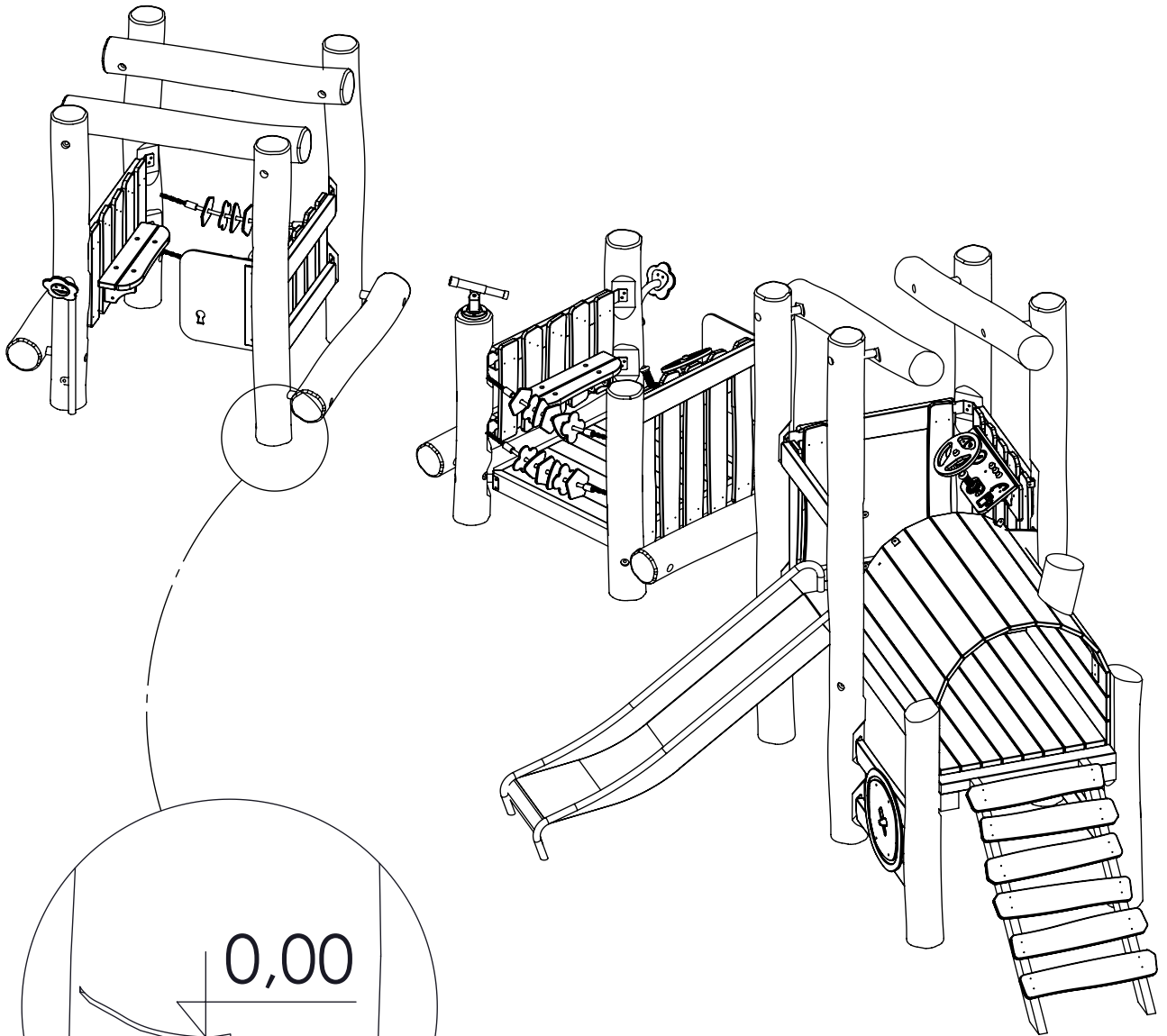


3.

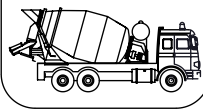


4.





48h



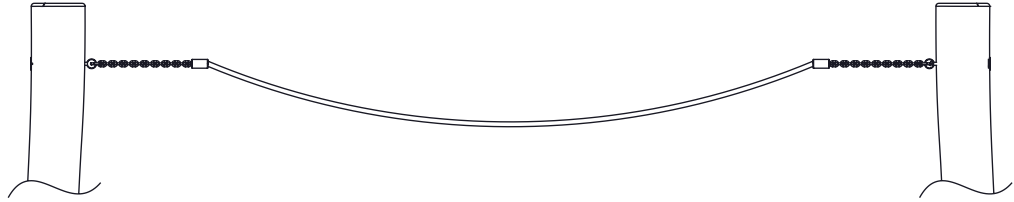
[cm]

vinci  
play

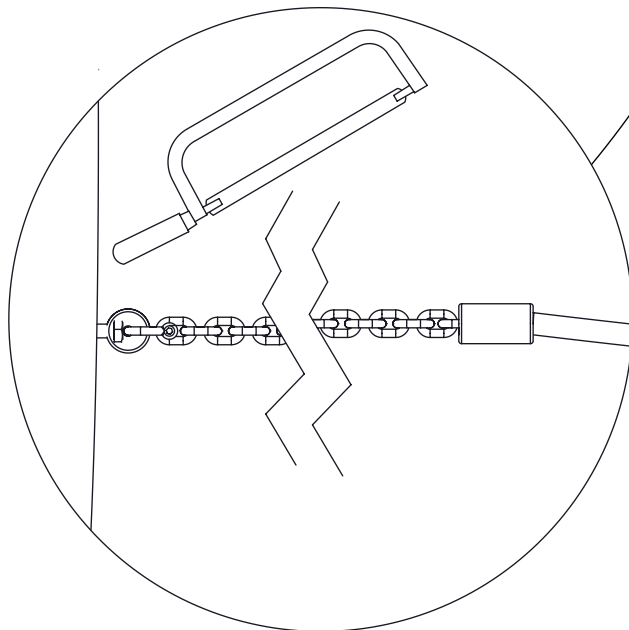
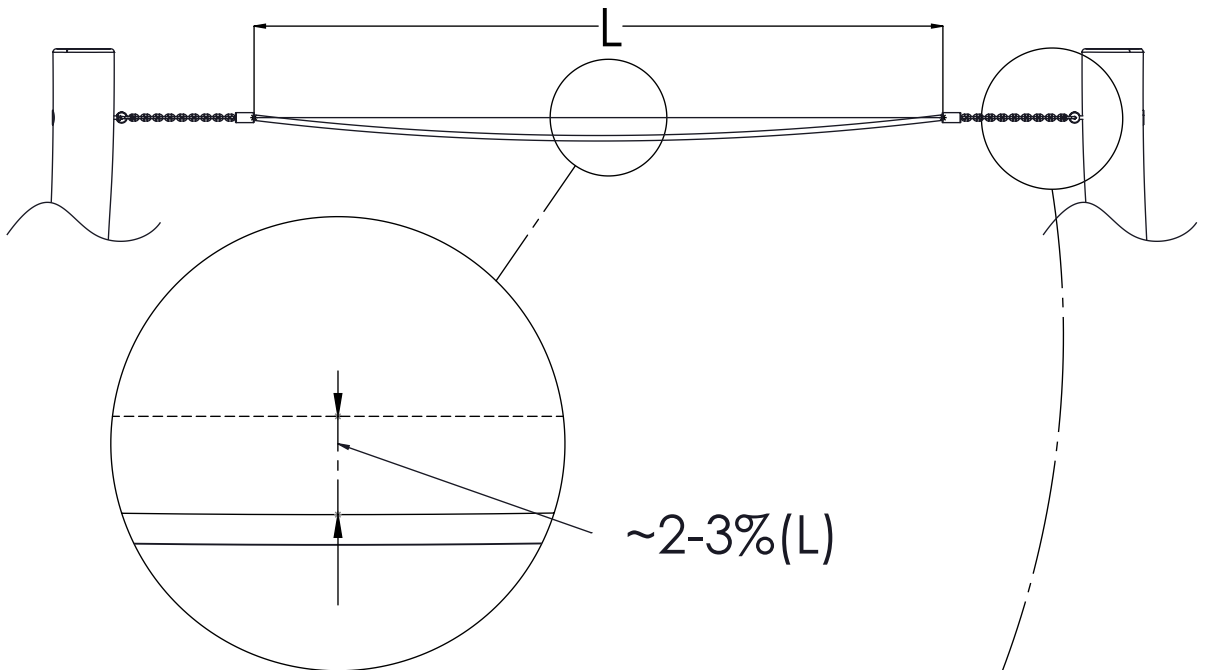
X

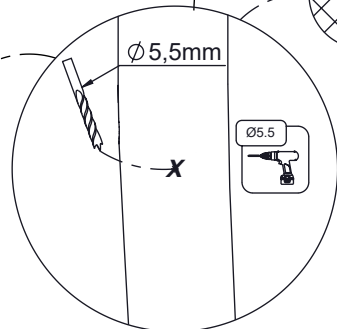
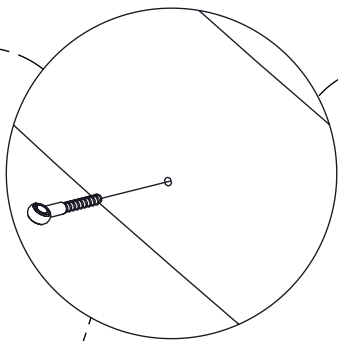
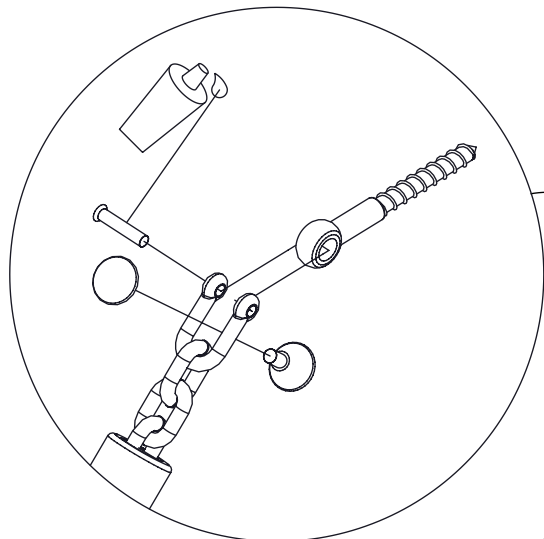
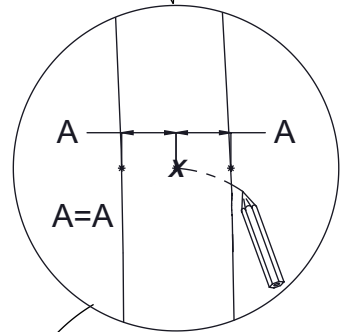
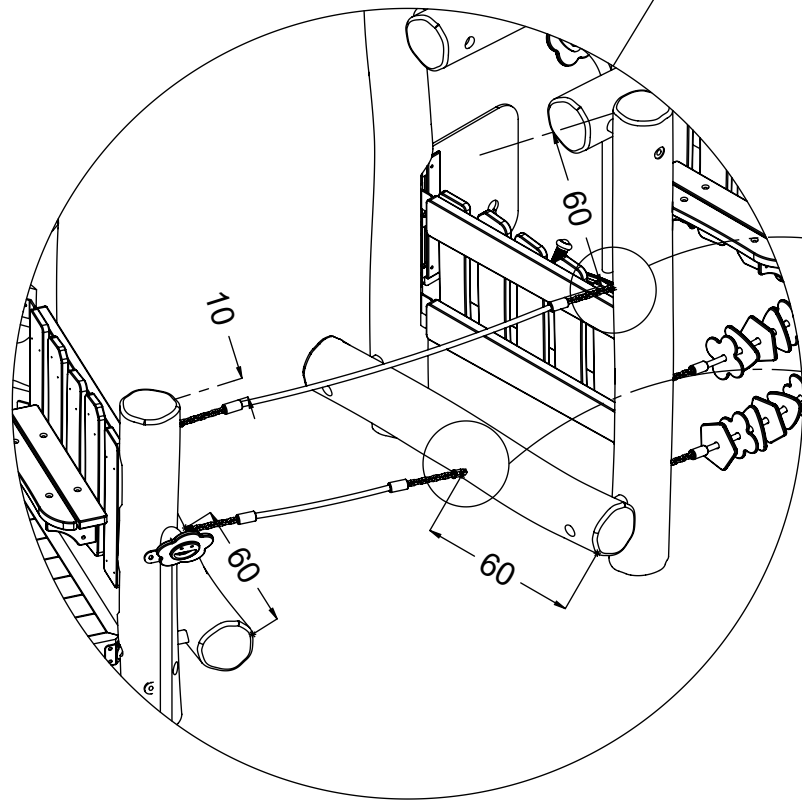
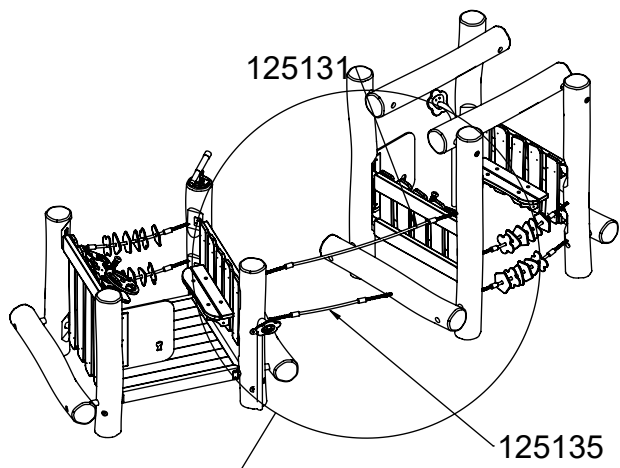
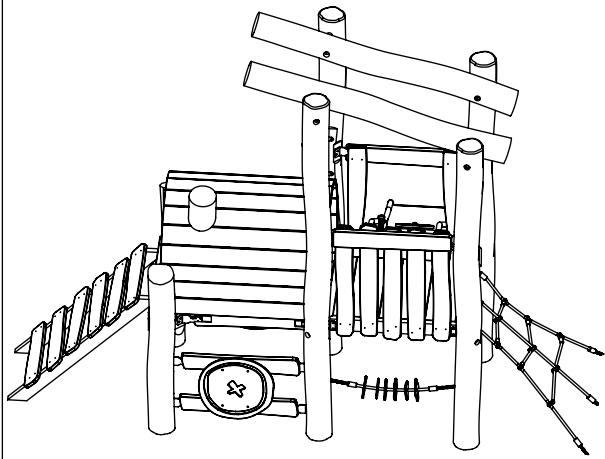


X

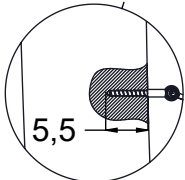


V



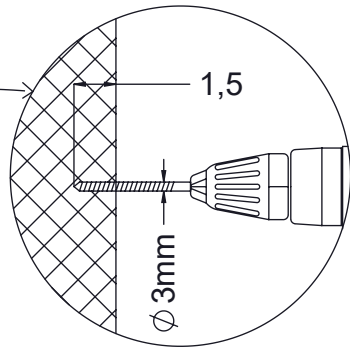
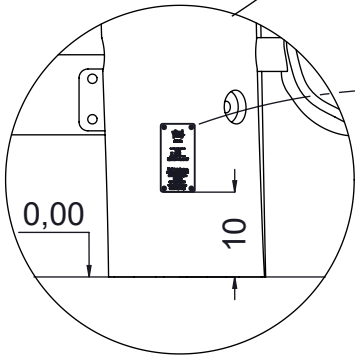
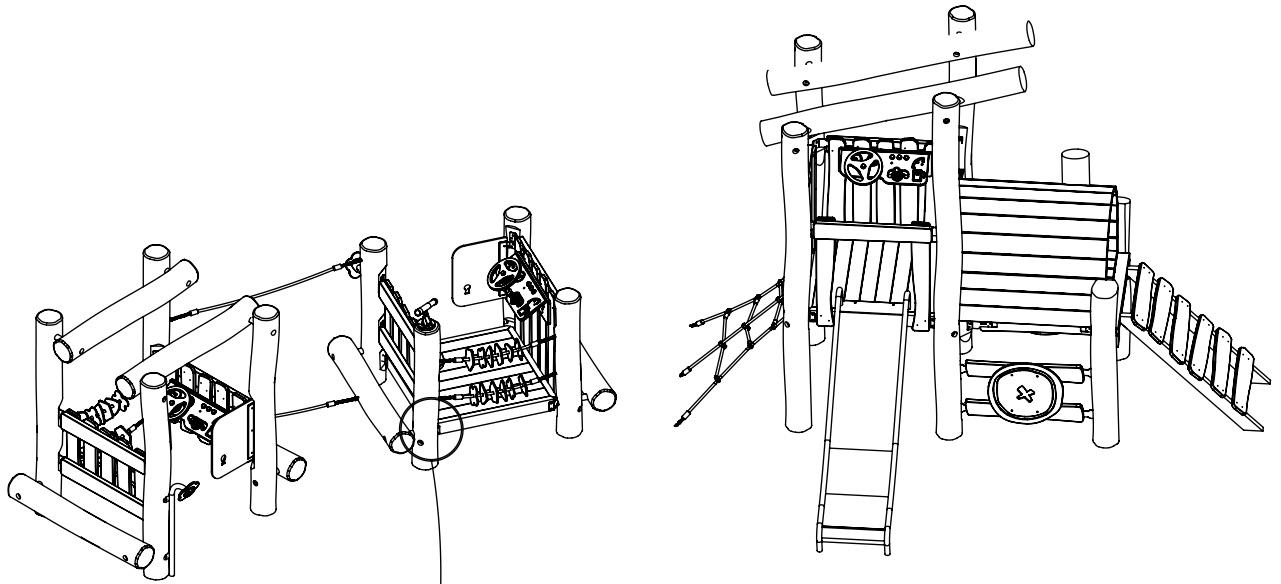


2x 12e007

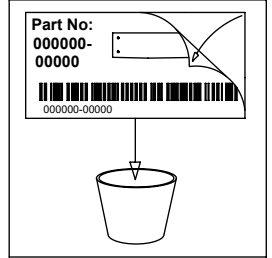


[cm]

vinci  
play



V001



[cm]

vinci  
play