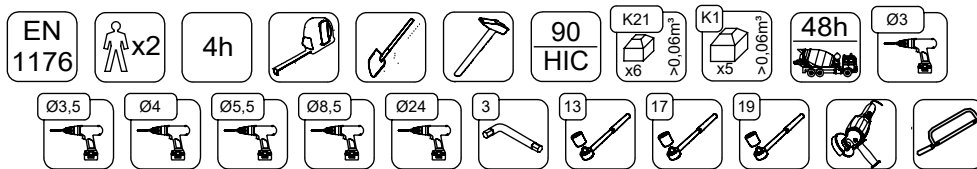
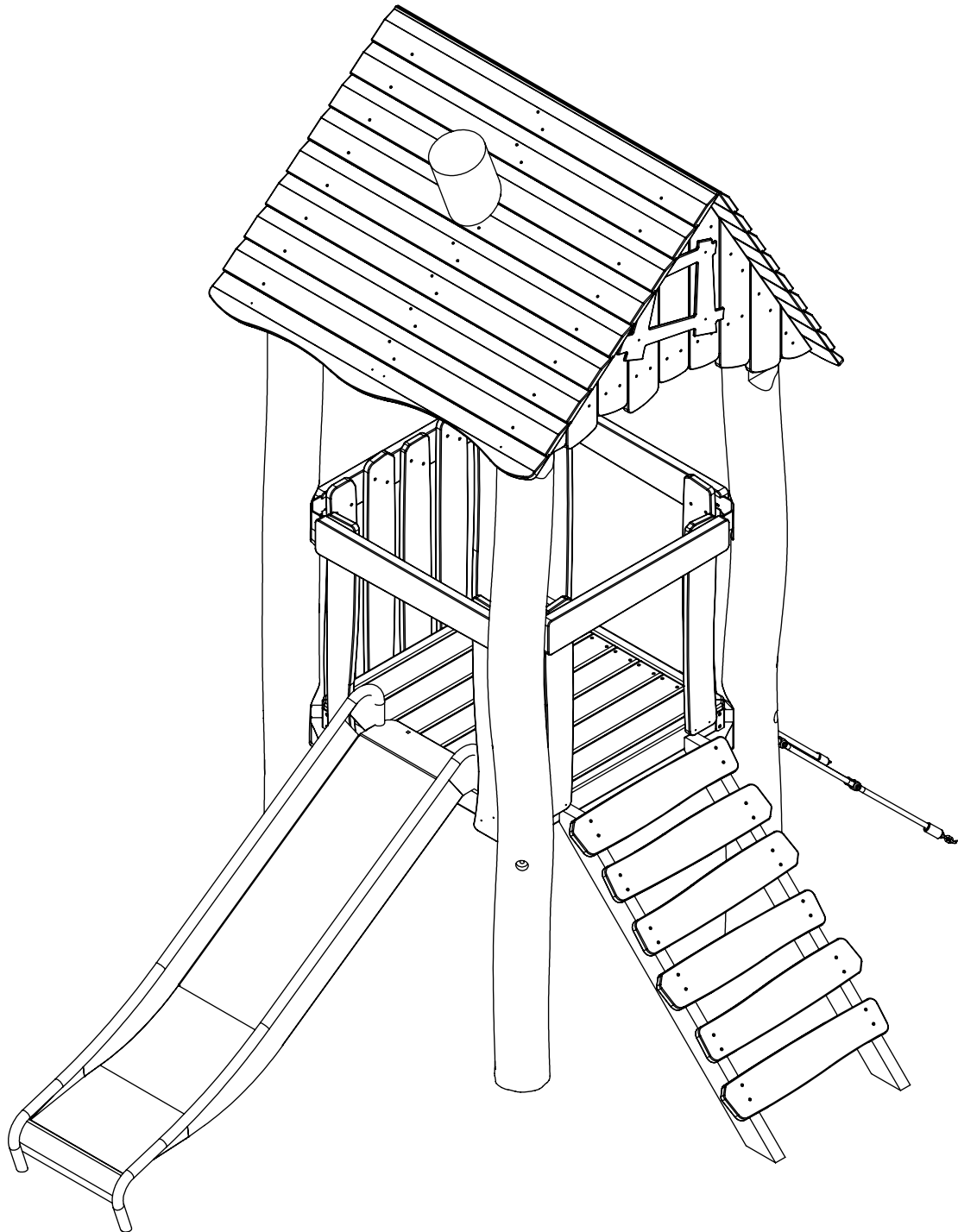
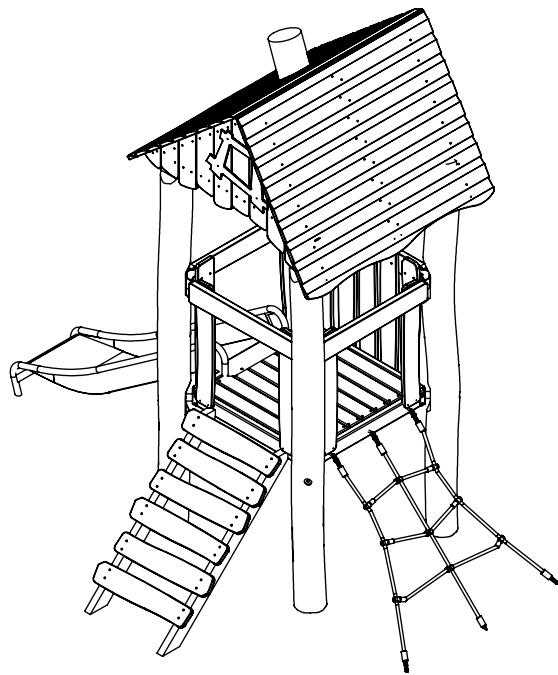
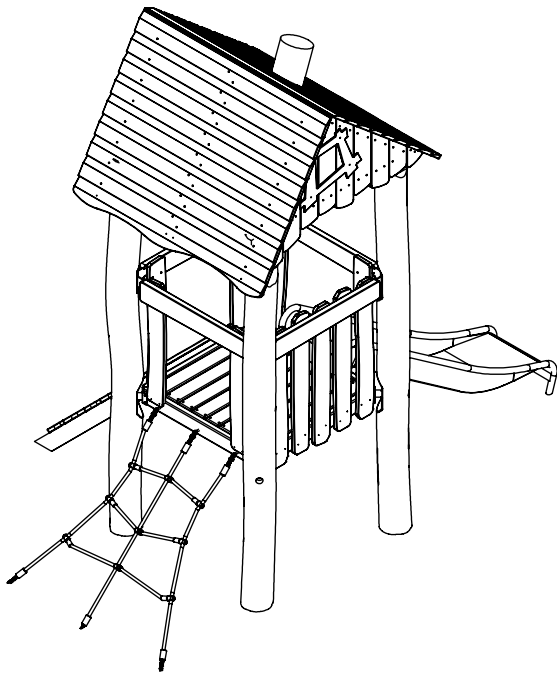
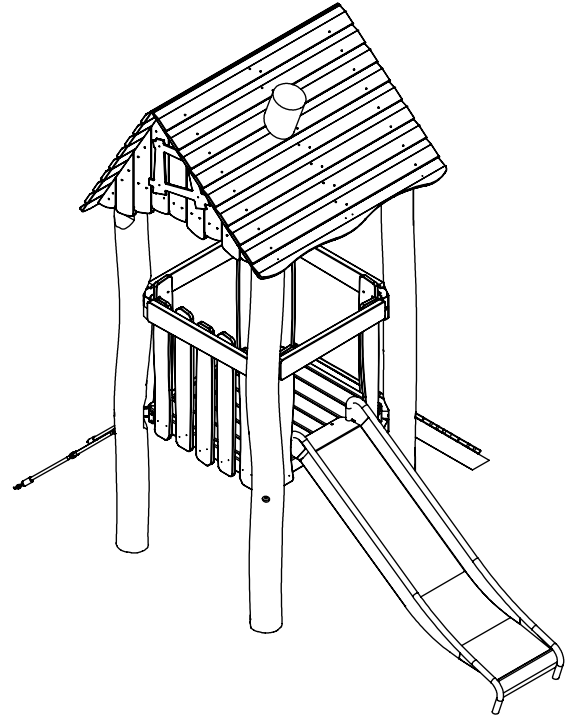
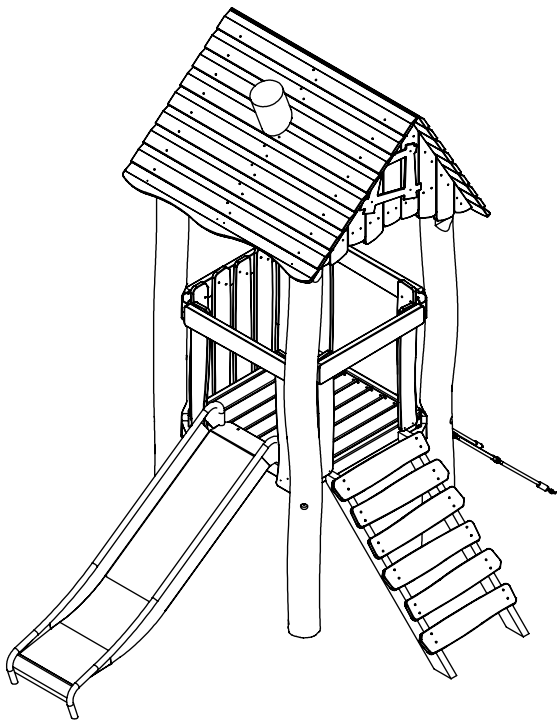


RB1205



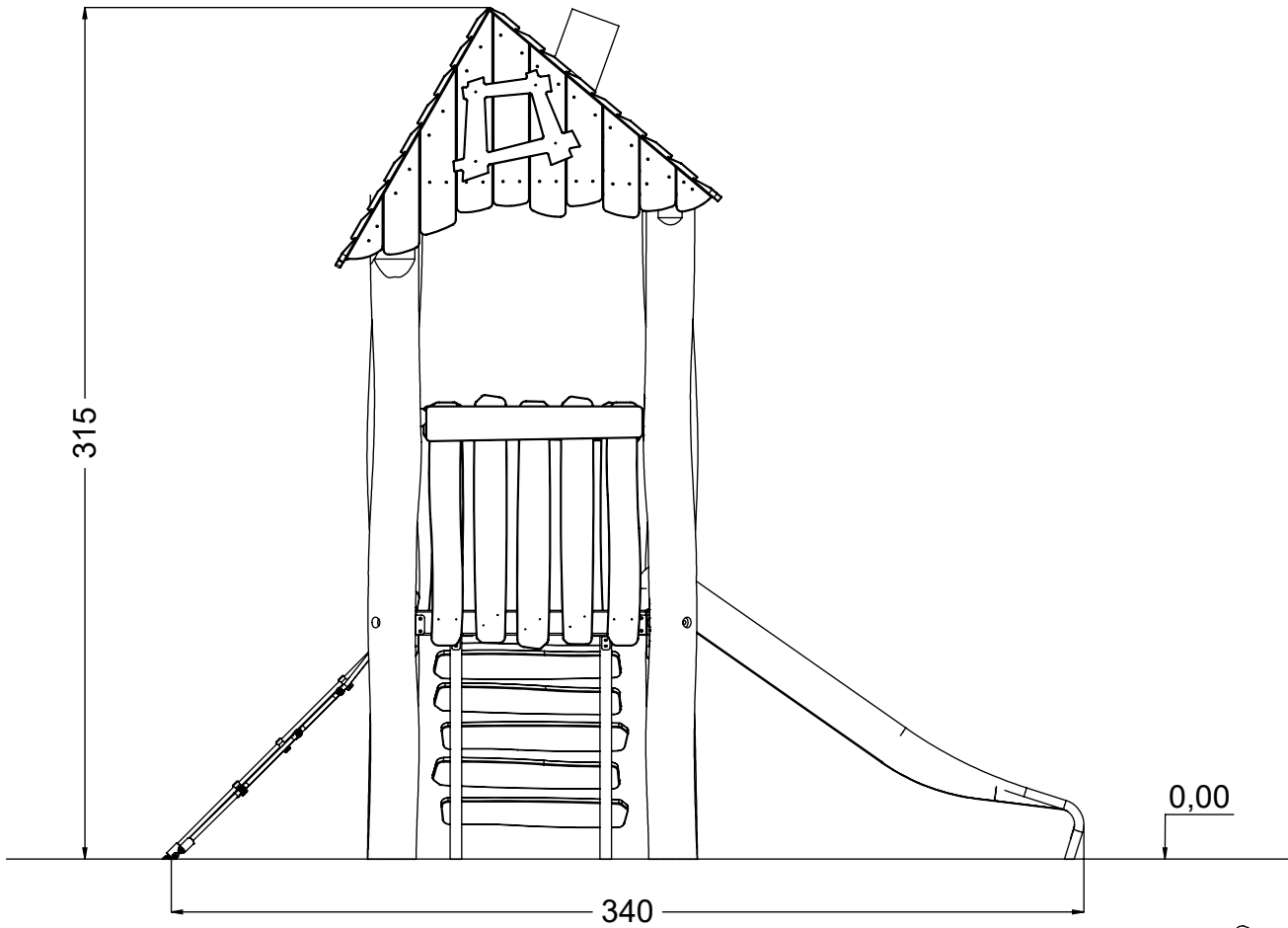
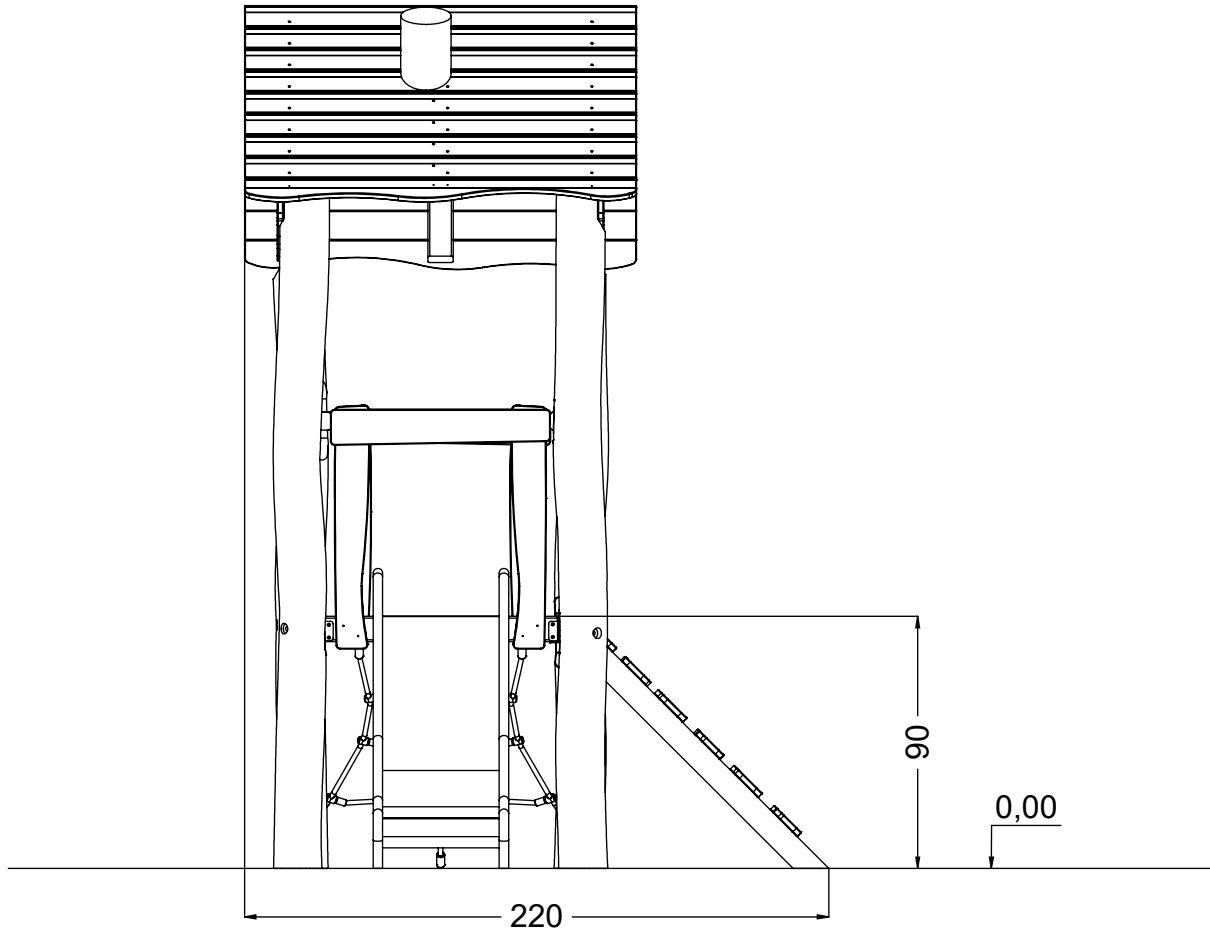
v010
25.02.2022
D. P.
[cm]

vinci
play



[cm]

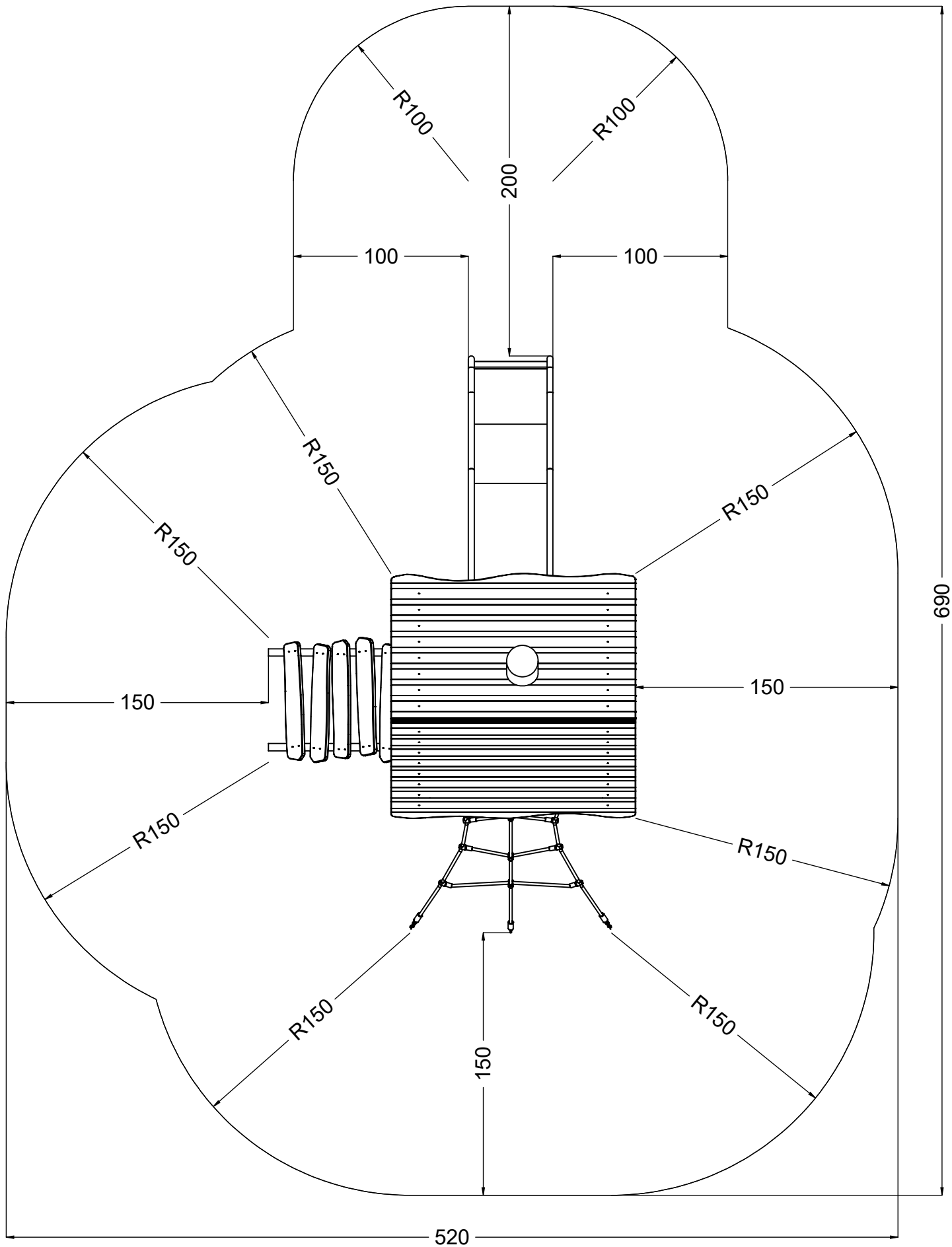
vinci
play



[cm]



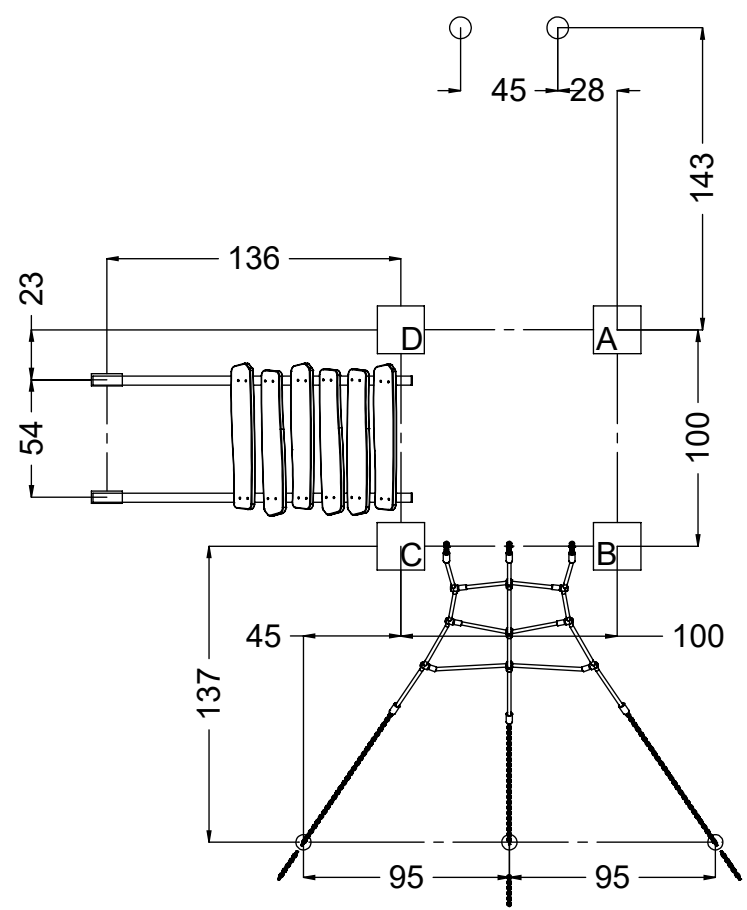
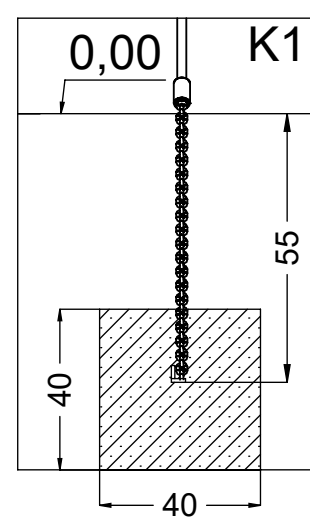
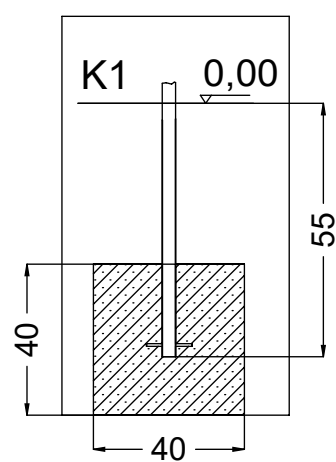
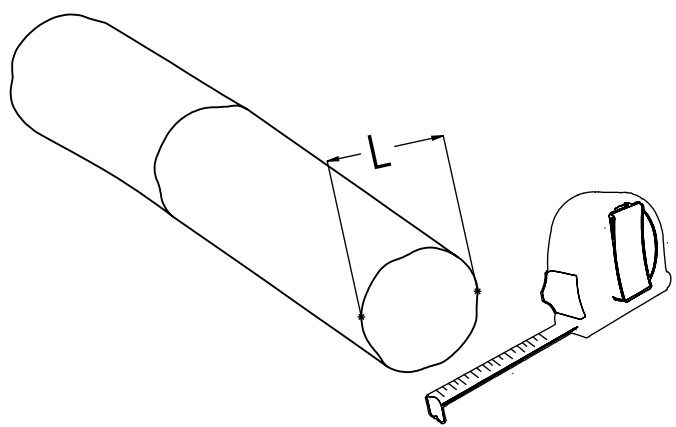
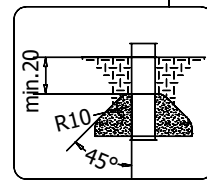
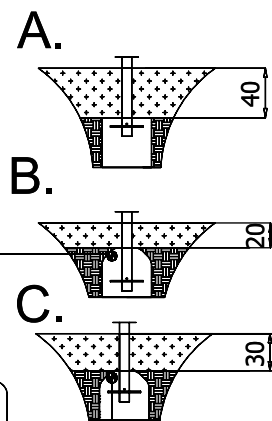
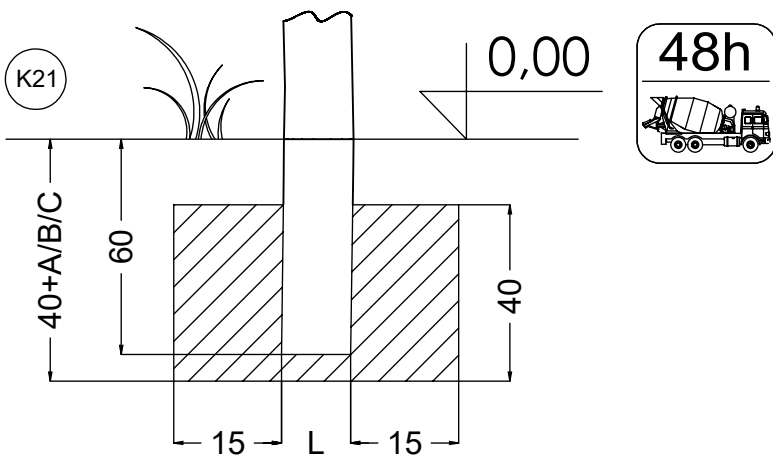
vinci
play



[cm]



vinci
play



[cm]

x2

4h

48h

K1

x5

>0.06m³

vinci
play



127280 (A)
x1



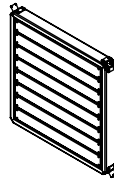
127281 (B)
x1



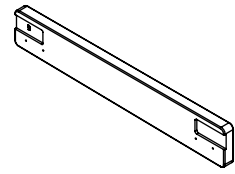
127325 (C)
x1



127326 (D)
x1



124100
x1



128107
x3



128113
x2



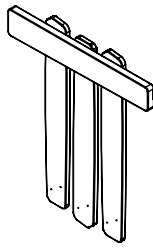
128179
x2



128103
x1



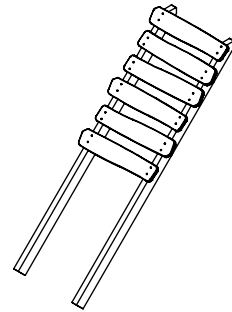
128178
x1



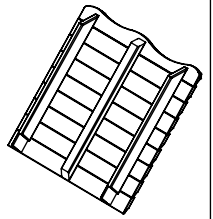
124104
x1



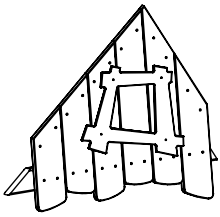
128181
x2



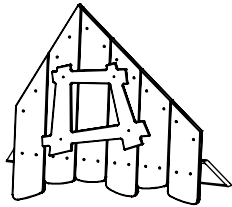
124109
x1



124133
x2



124135
x1



124132
x1



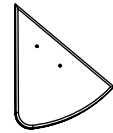
128229
128117
x1



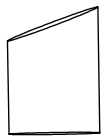
128230
128118
x1



128237
128125
x1



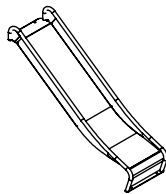
128238
128126
x1



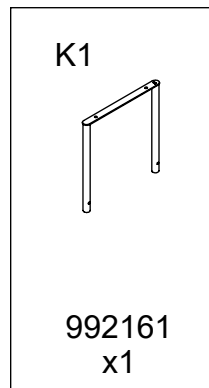
128172
x1



125100
x1



994172
x1

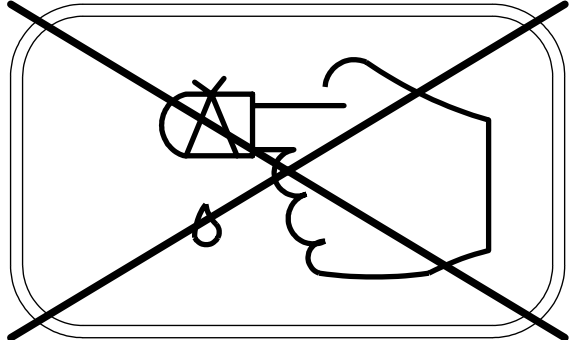
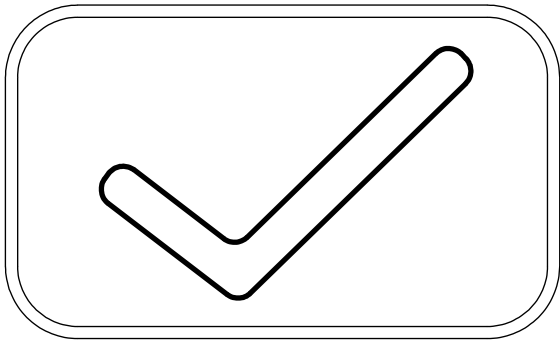
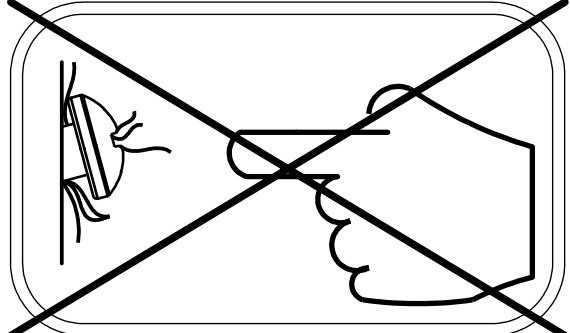
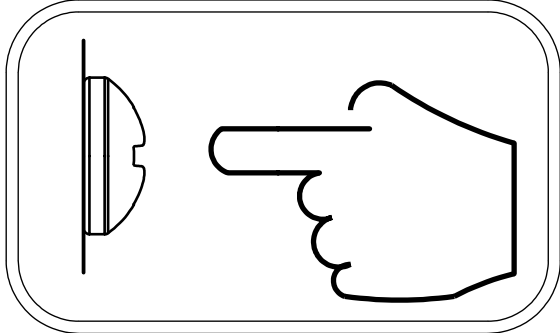
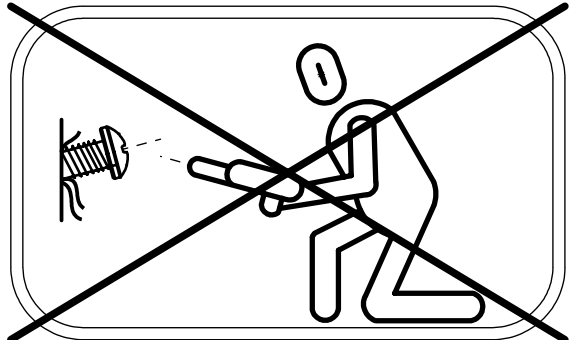
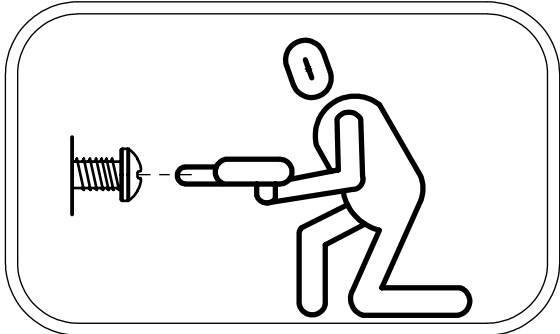


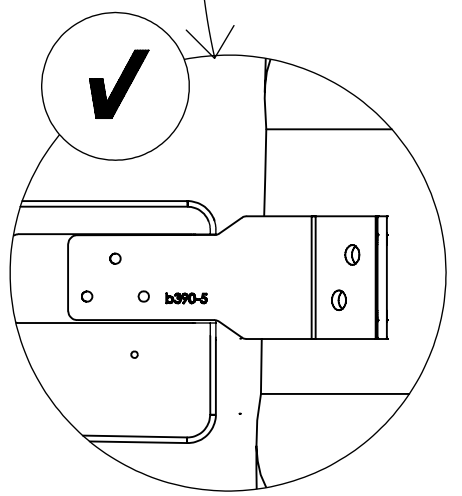
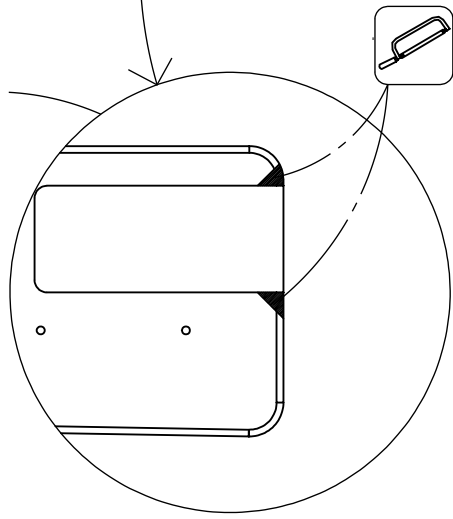
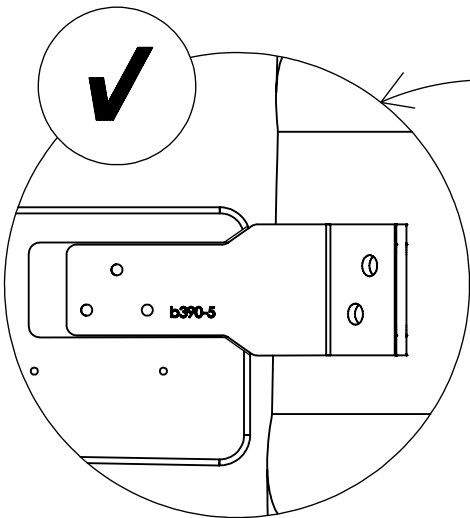
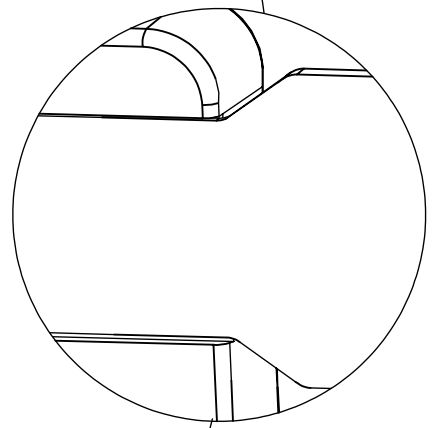
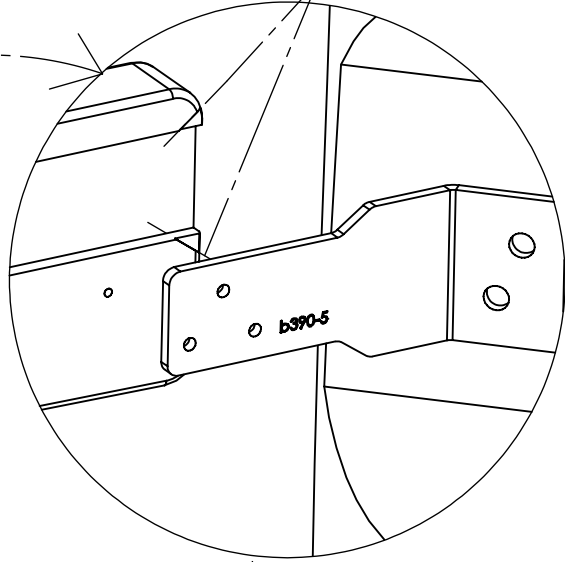
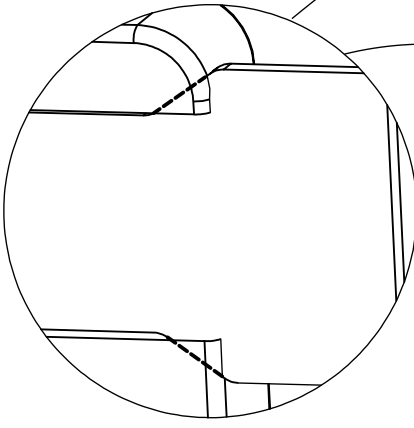
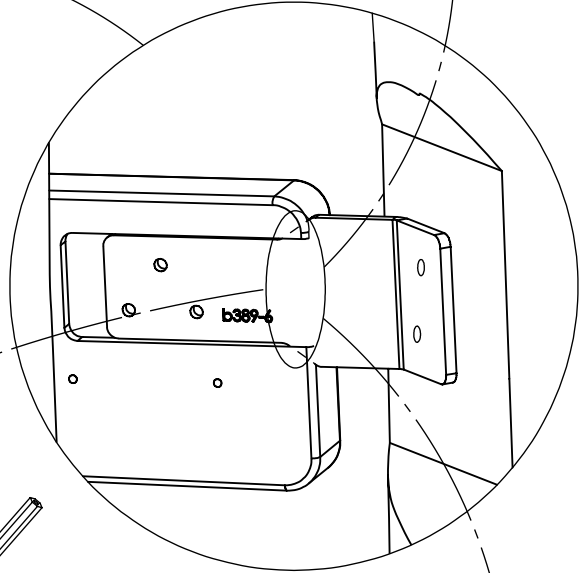
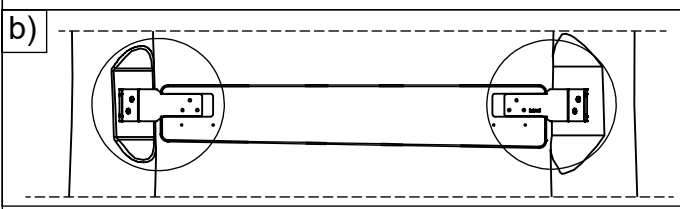
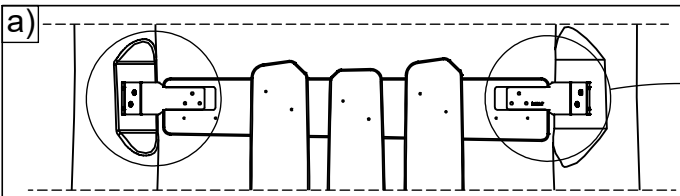
K1

992161
x1

1x	12e004
1x	12e019
1x	12e030
1x	12e015
1x	12e052
4x	b390
2x	b392
1x	GL
1x	V001

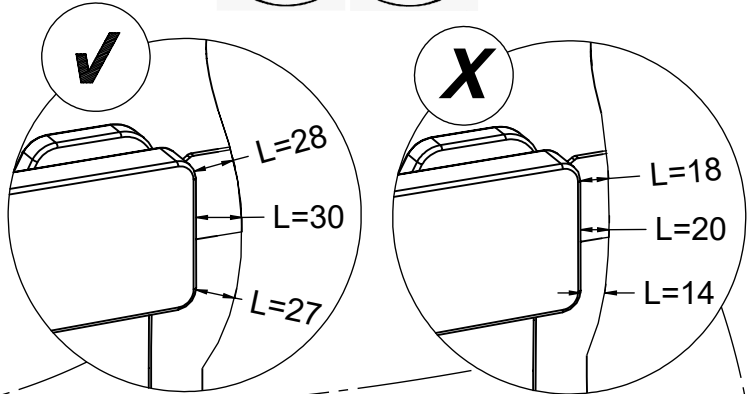
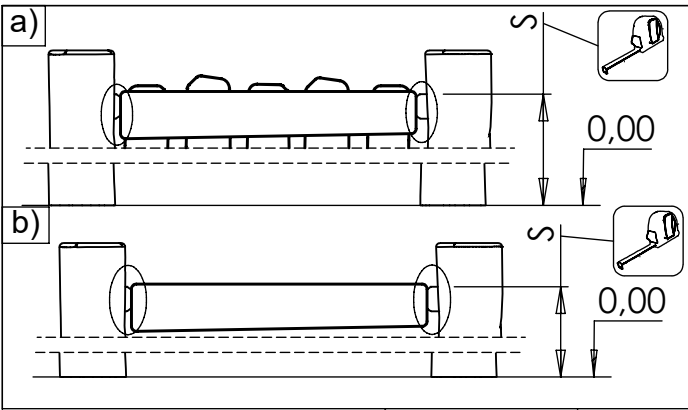
24x	5x30sxs
80x	5x50sxs
7x	5x80sxs
4x	8x80sxt
6x	7x35sxi
16x	8x50sxi





[cm]

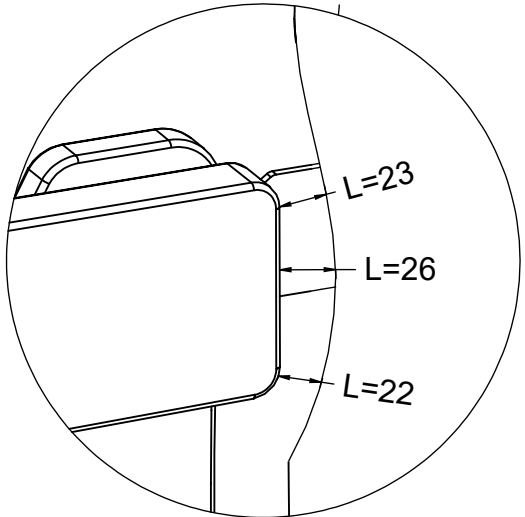
vinci
play



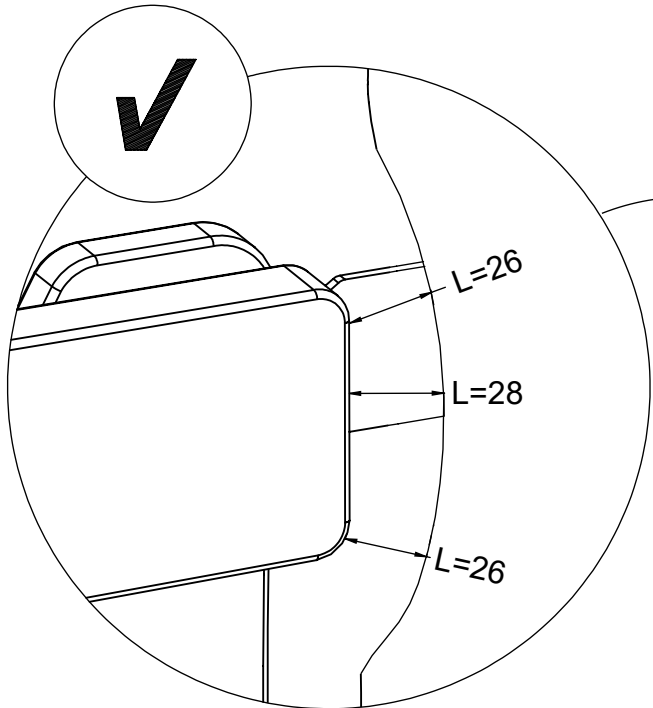
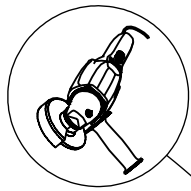
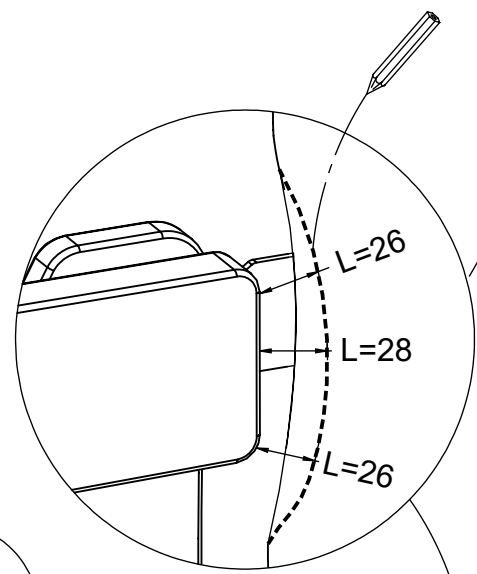
S<97

S>97

L>25mm	✓	L≤25mm	X
--------	---	--------	---



L>25mm	✓
L≤25mm	✓

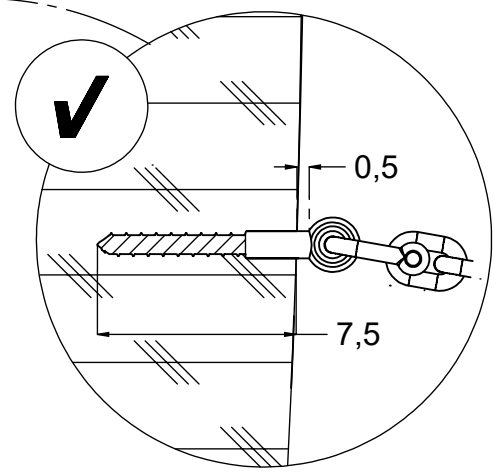
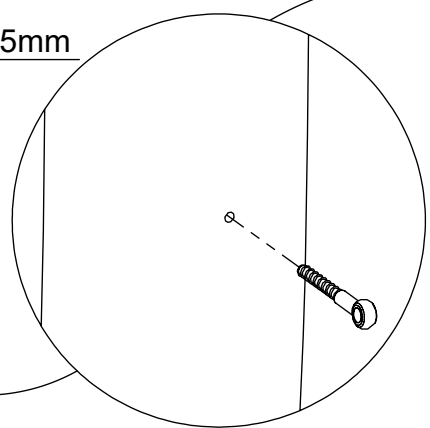
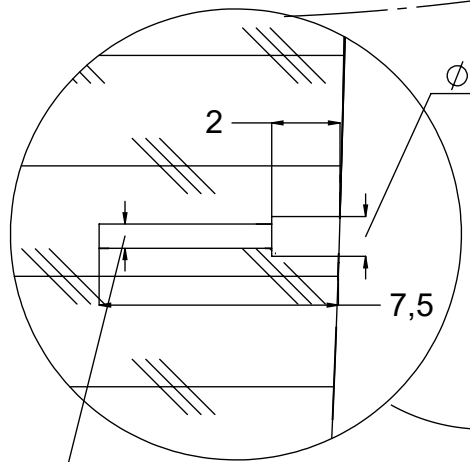
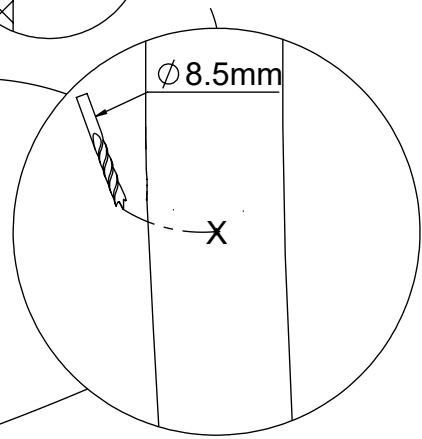
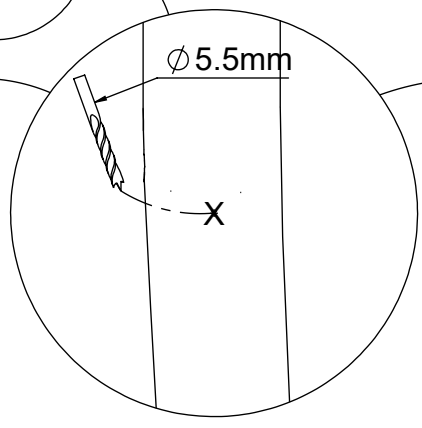
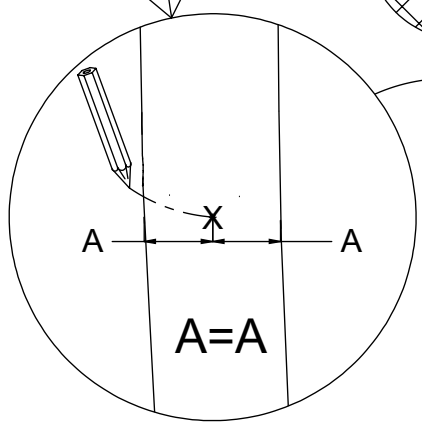
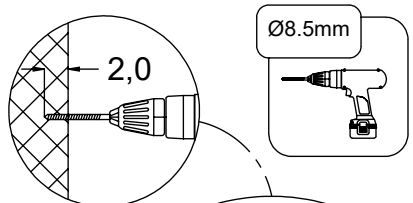
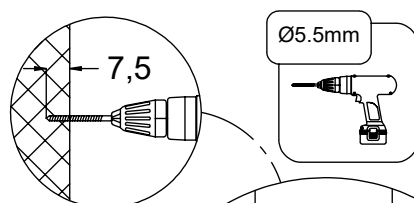
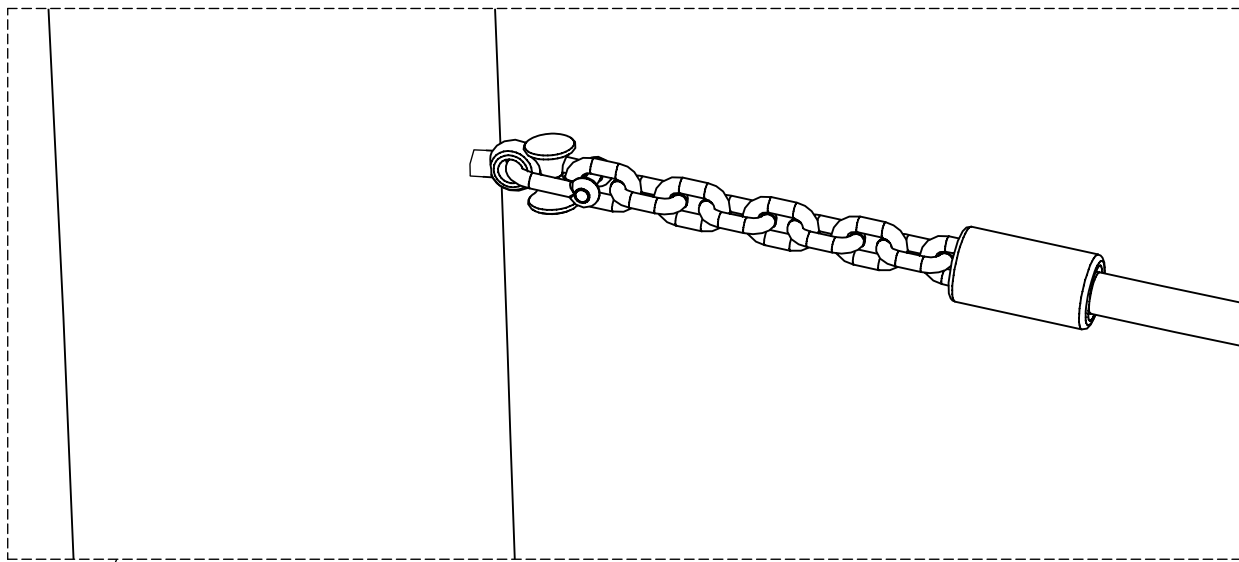


L>25mm	✓
--------	---



[cm]

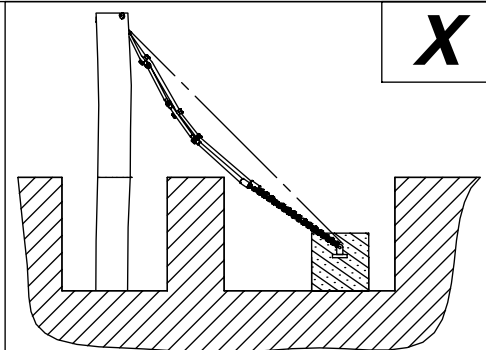
vinci
play



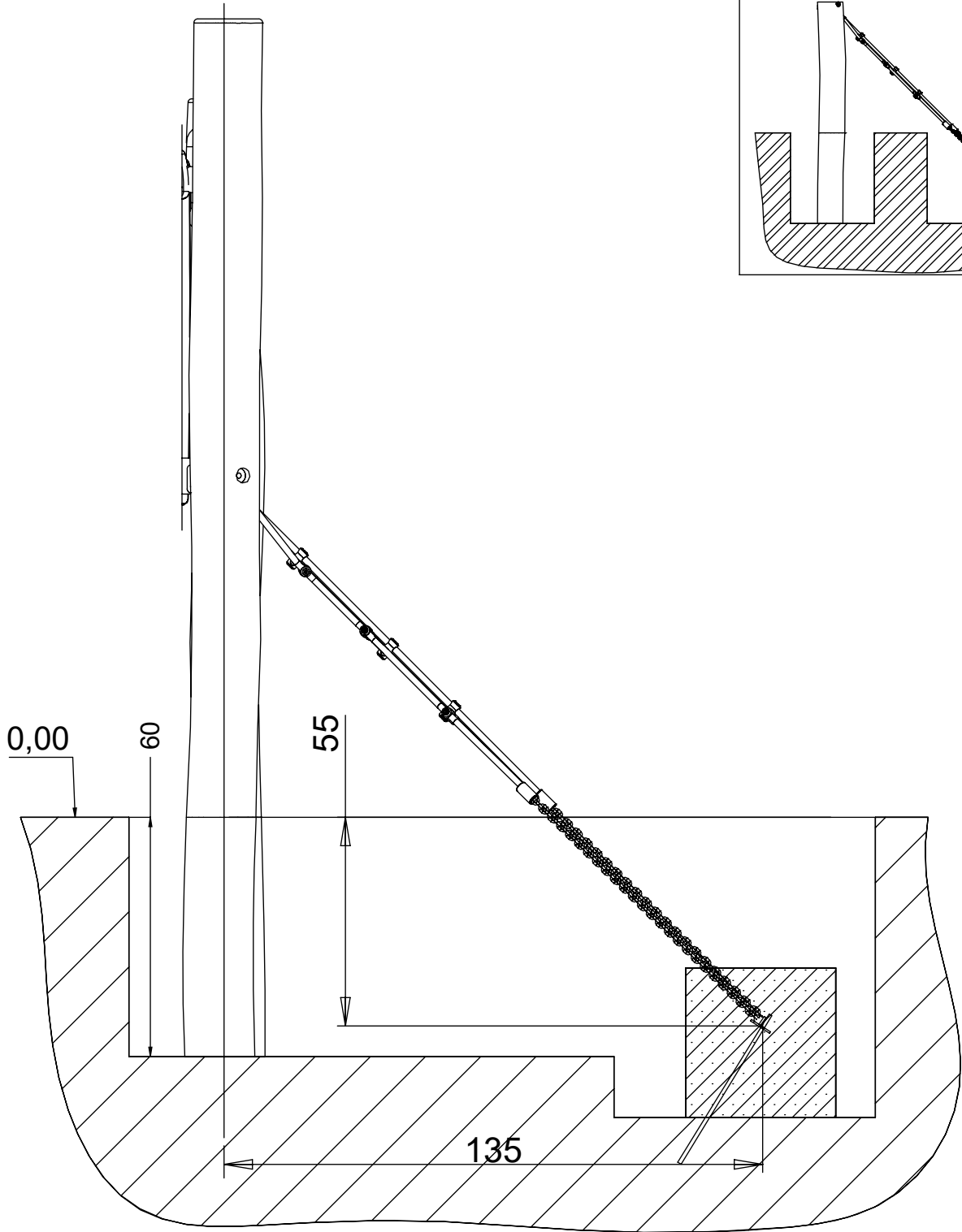
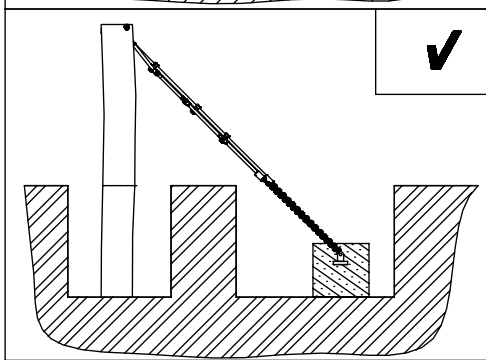
[cm]

vinci play

X

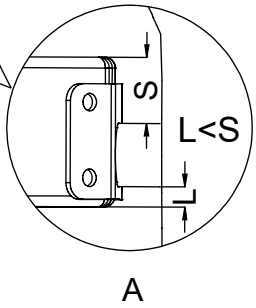
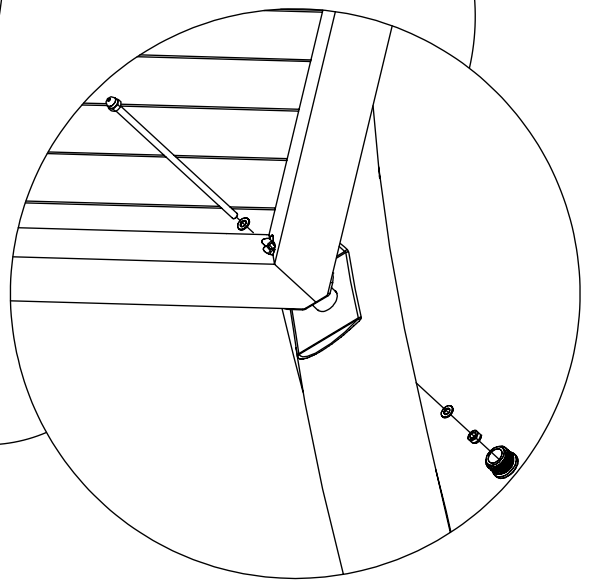
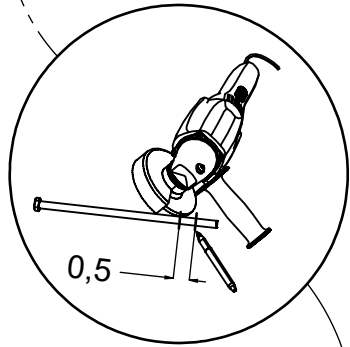
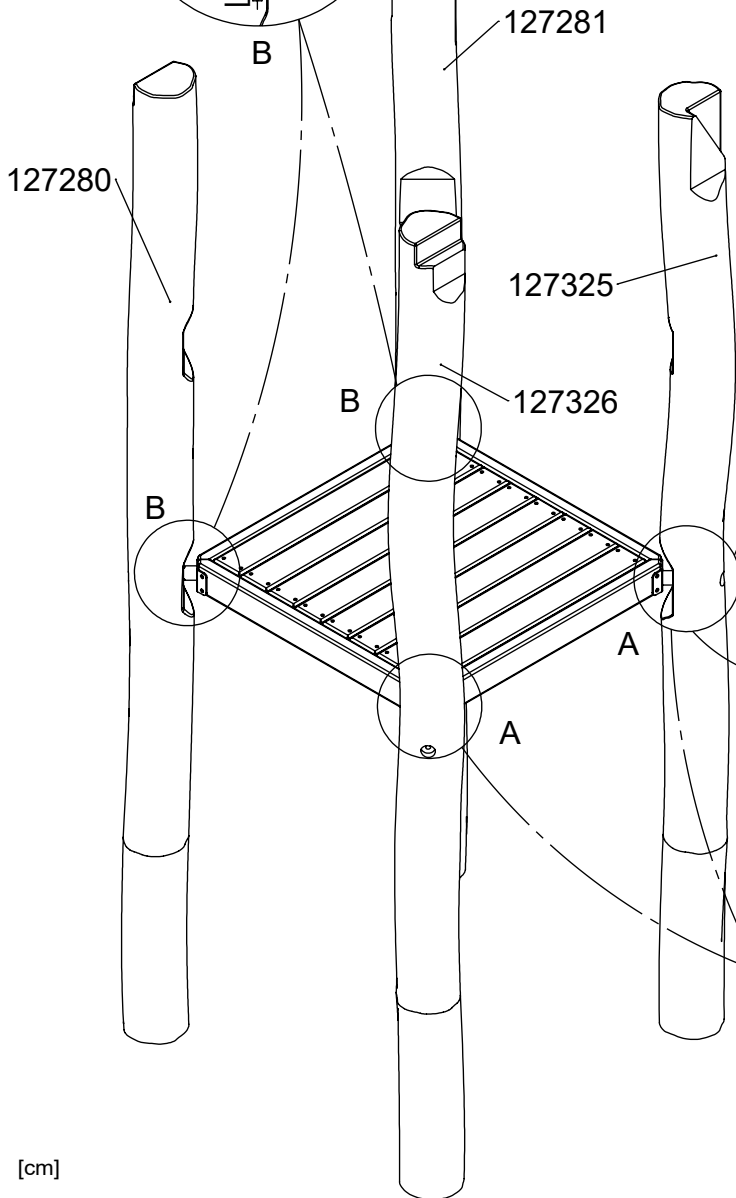
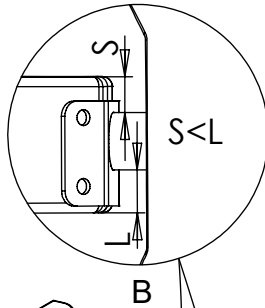
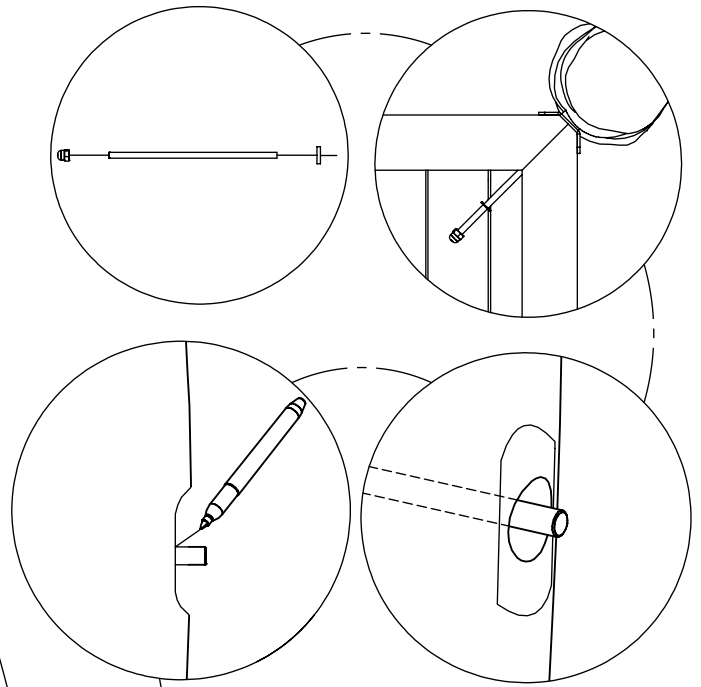
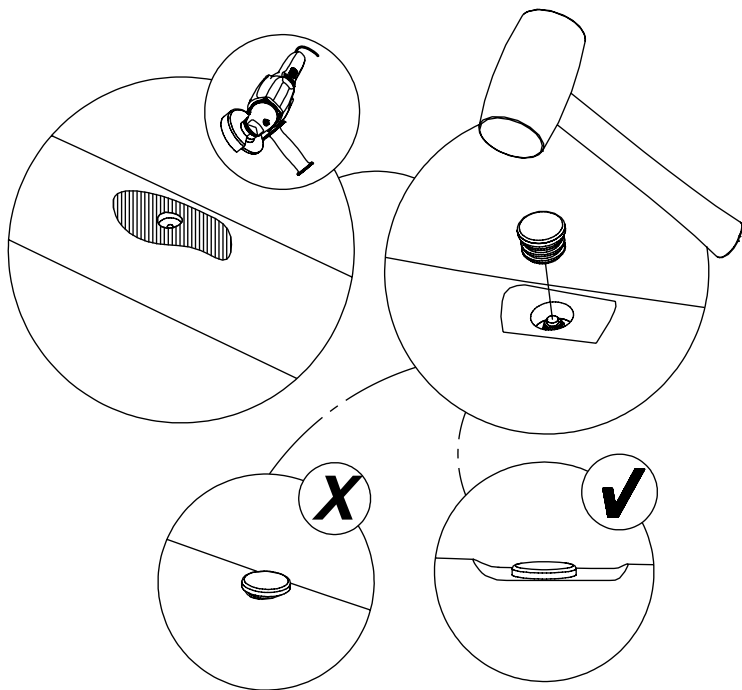


✓



[cm]

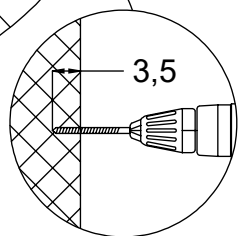
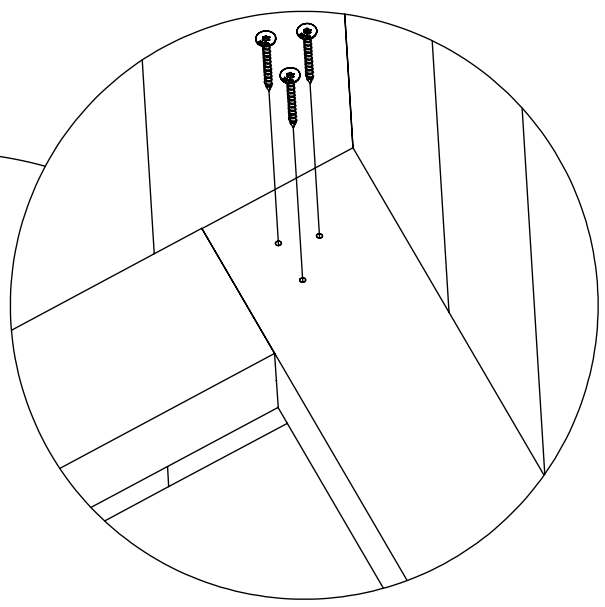
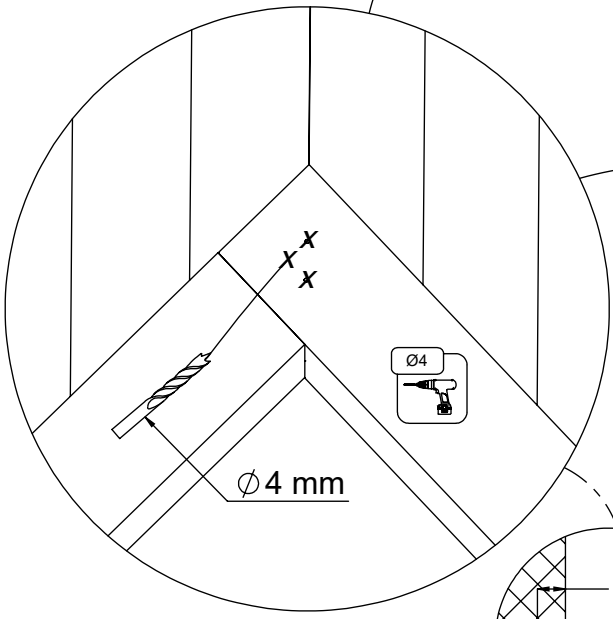
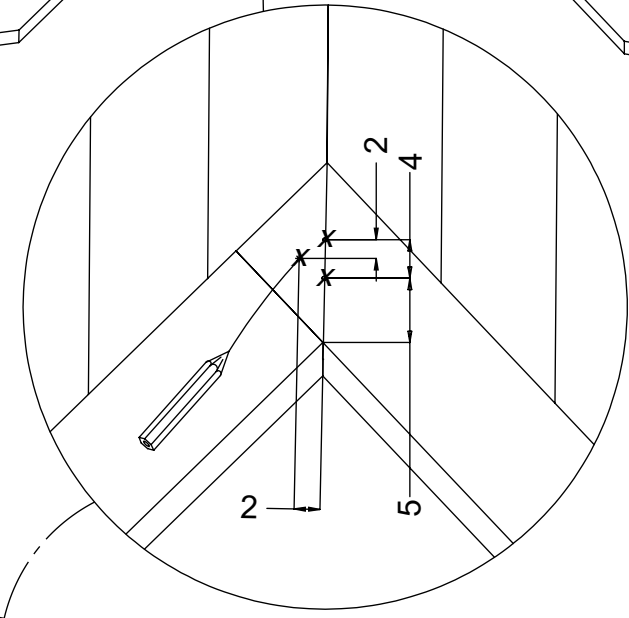
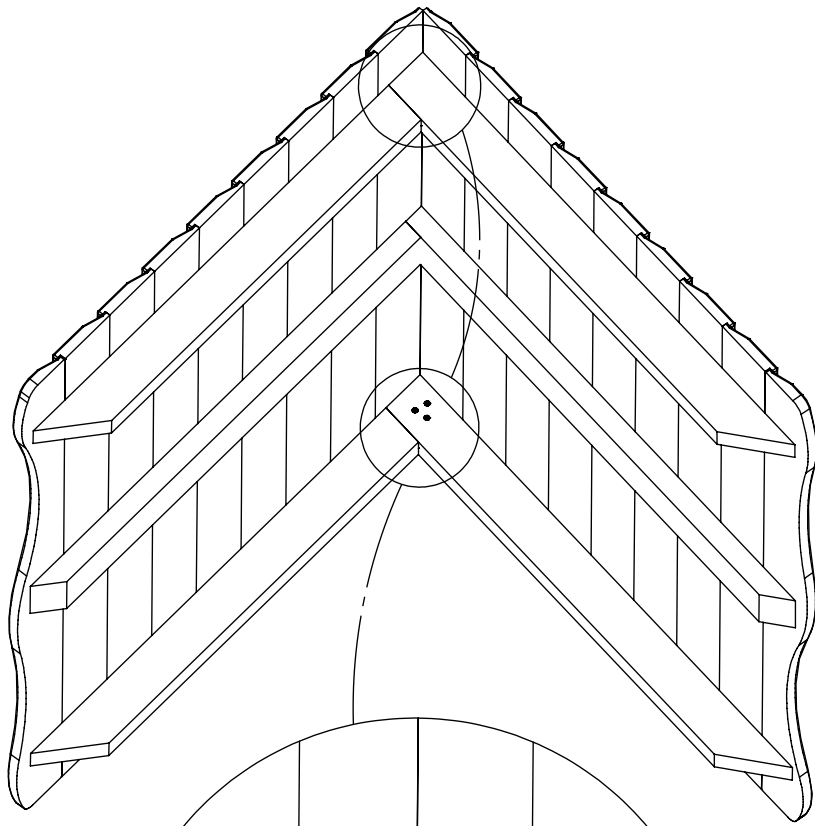
vinci play



1x 12e004

[cm]

vinci play

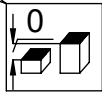
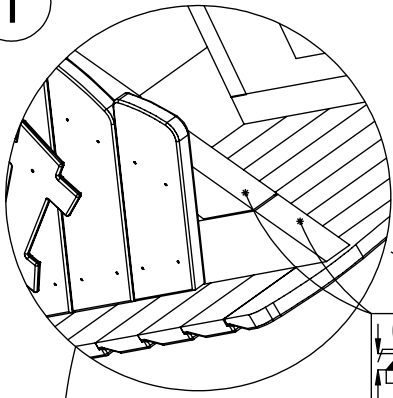


6x 7x35 sxi

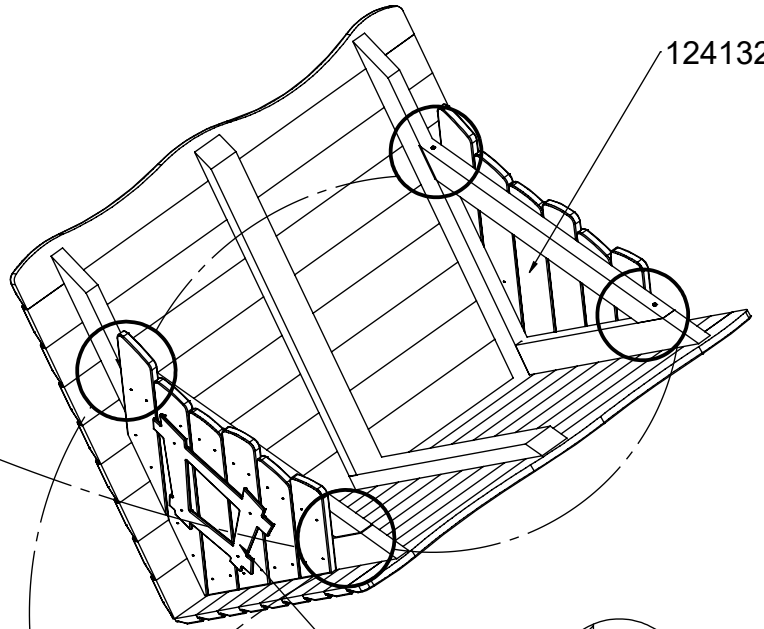
vinci
play

[cm]

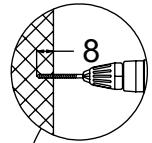
1



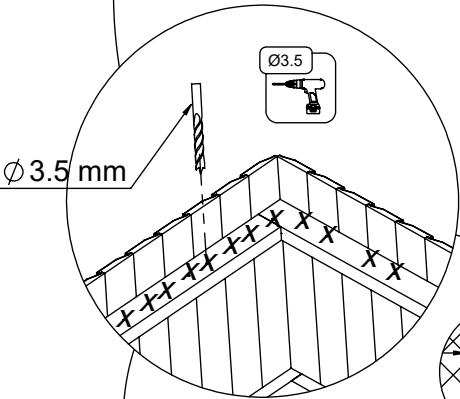
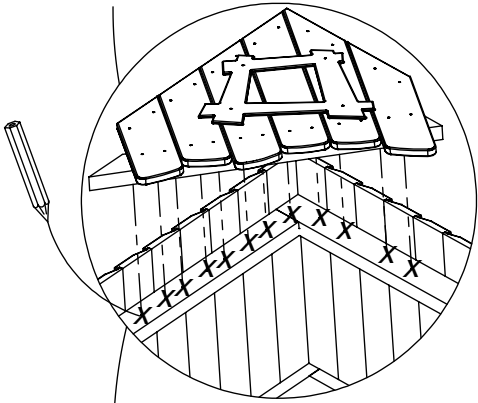
124132



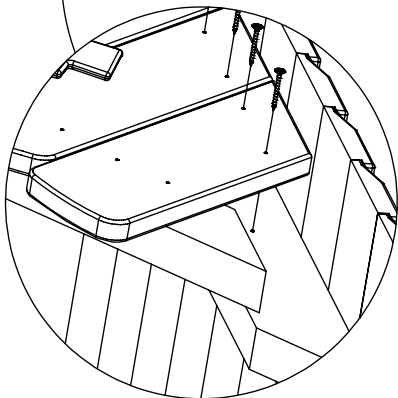
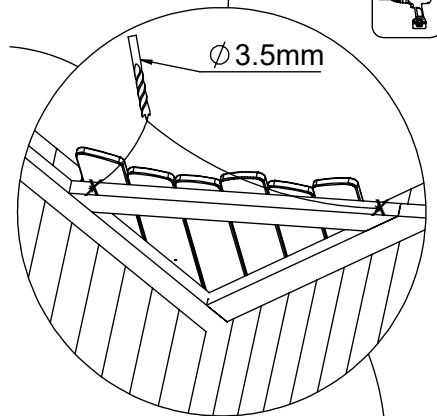
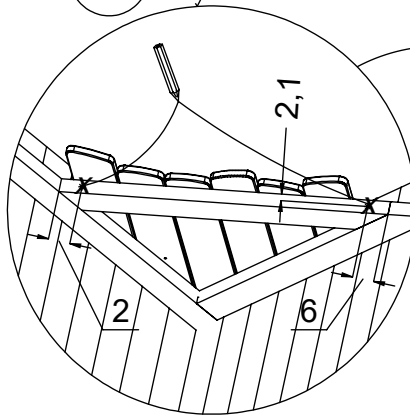
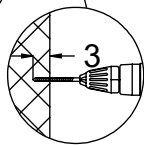
124135



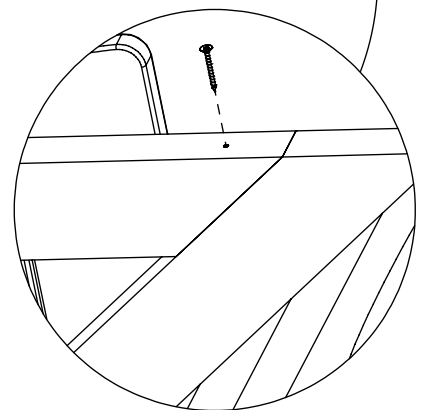
2



Ø 3.5 mm



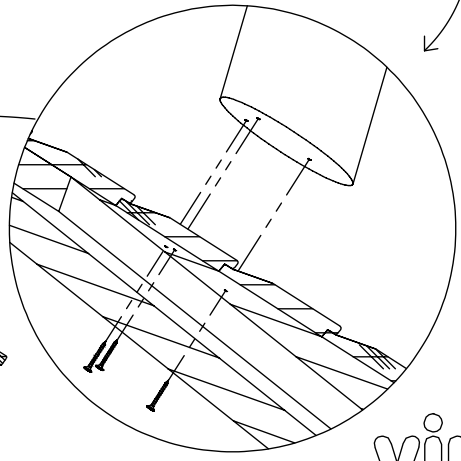
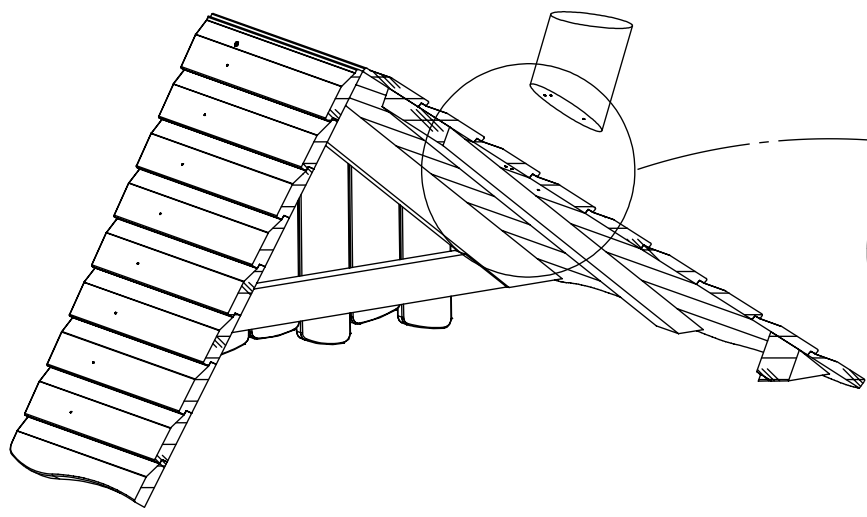
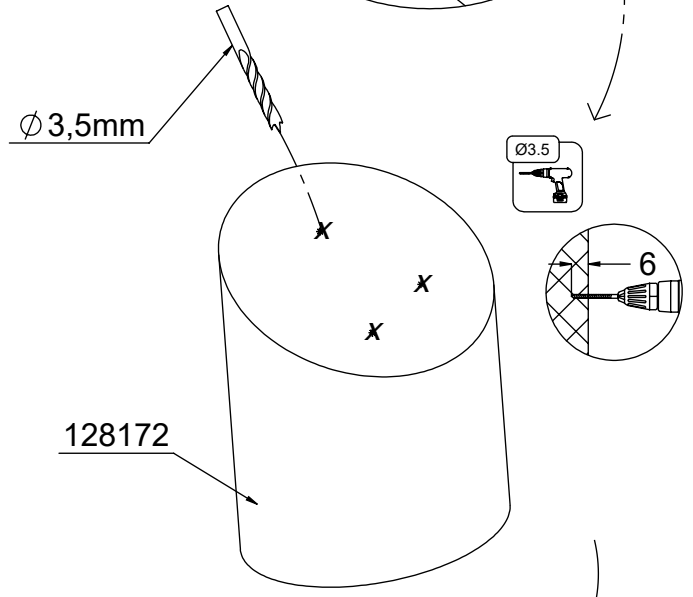
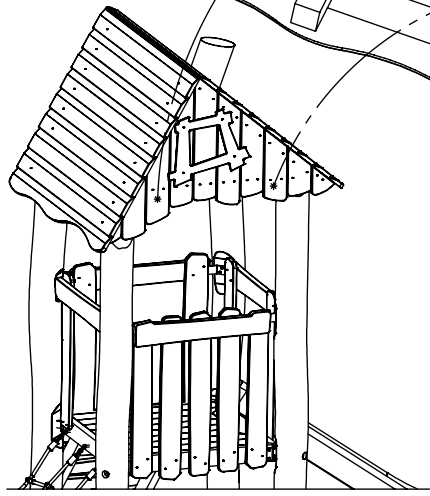
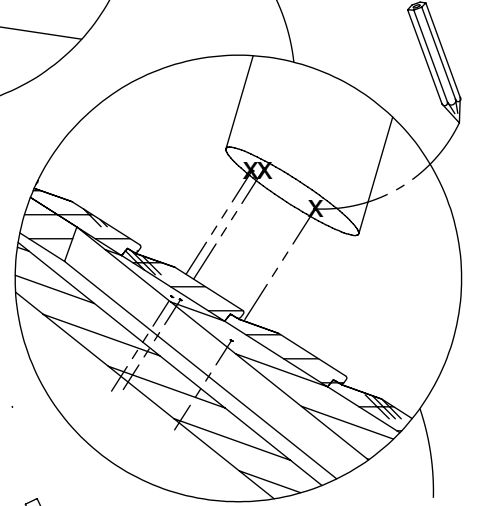
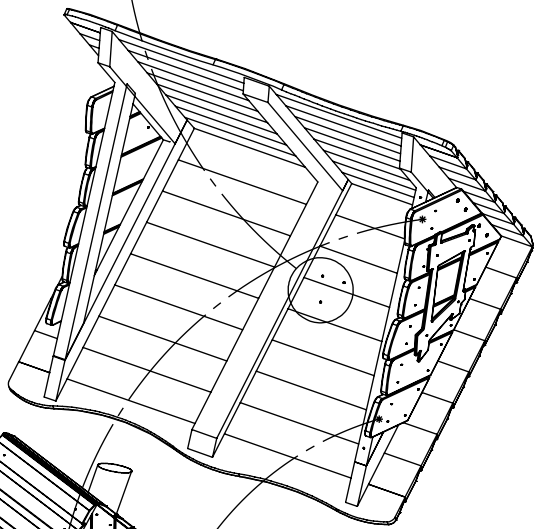
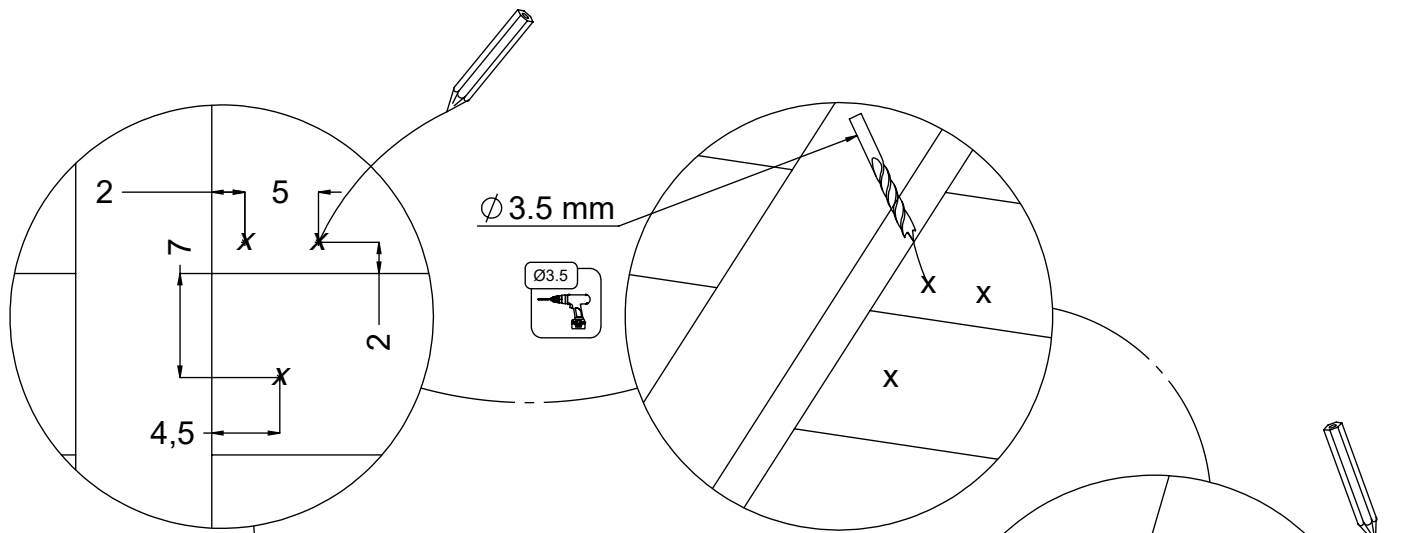
24x 5x50sxs



4x 5x80sxs

[cm]

vinci play



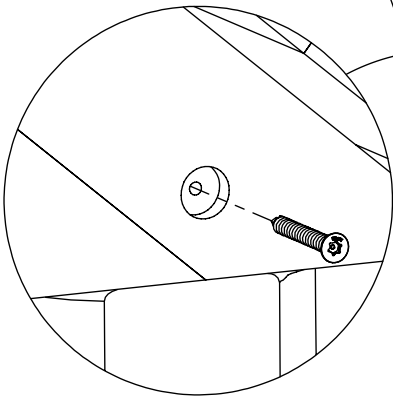
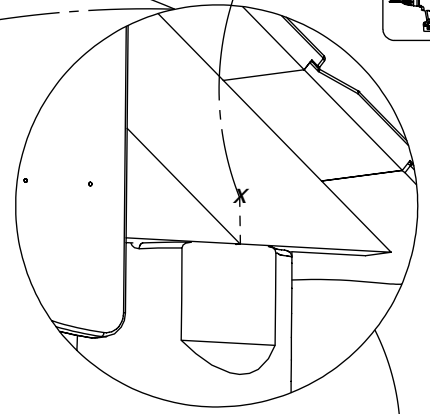
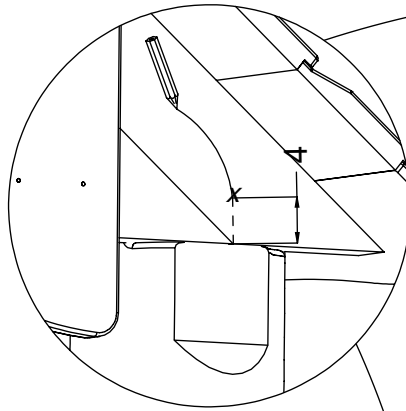
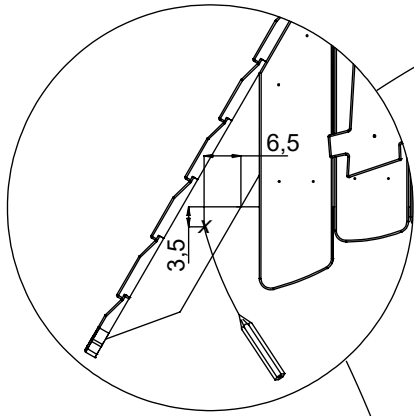
3x 5x80 sxs

vinci play

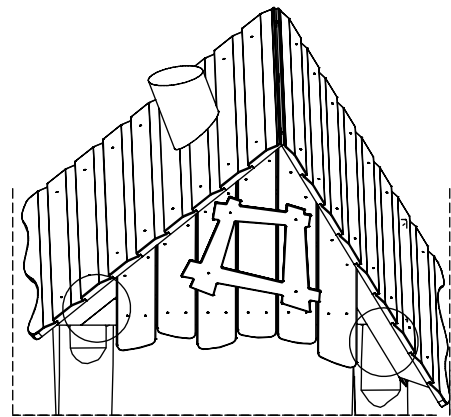
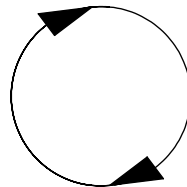
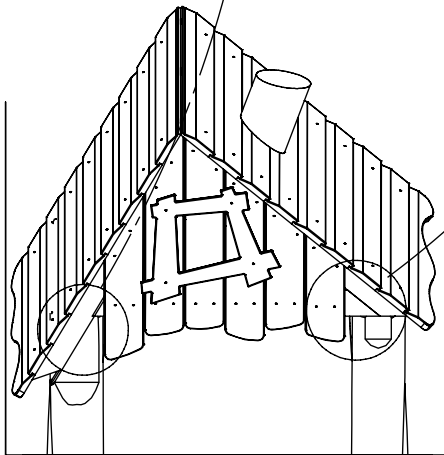
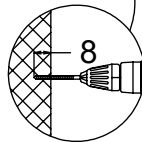
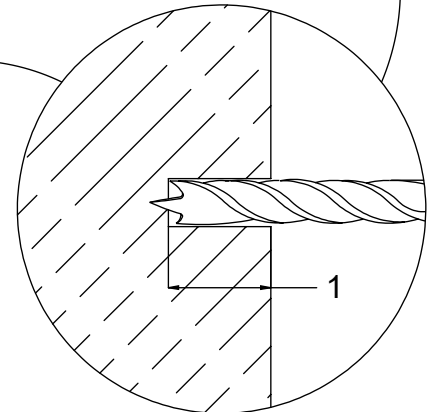
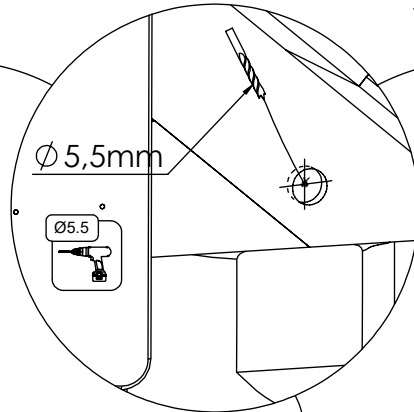
[cm]

Ø 24 mm

Ø24

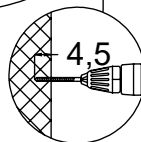
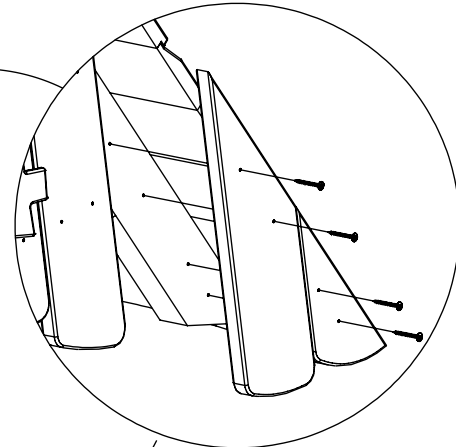
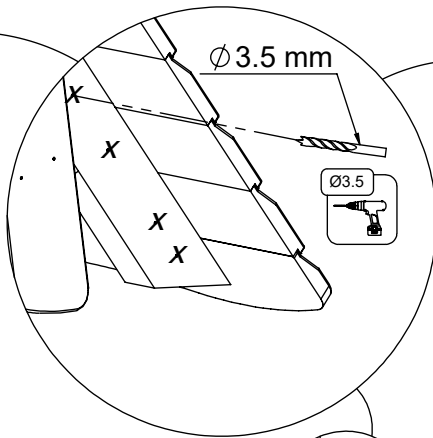
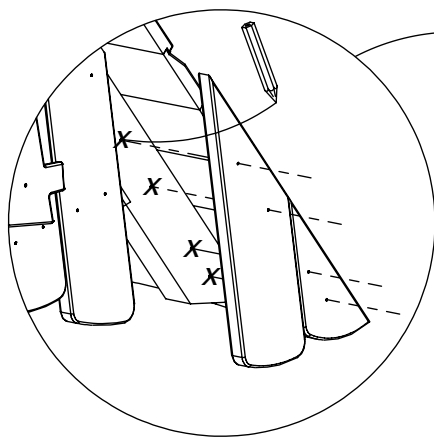


4x 8x80sxt

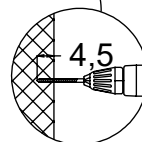
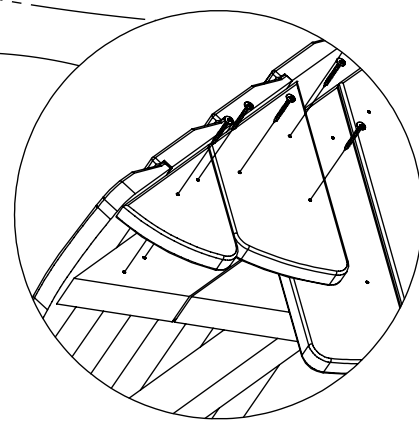
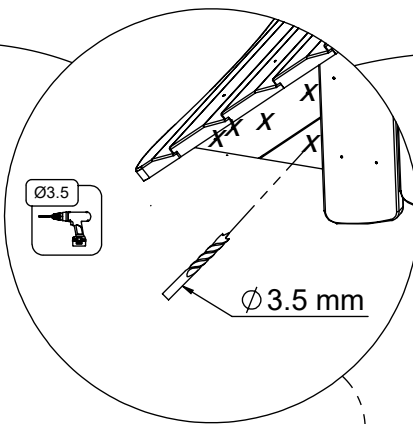
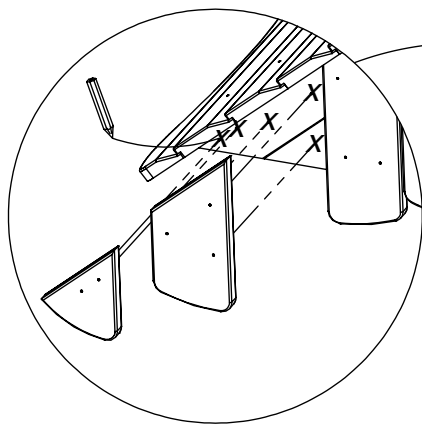
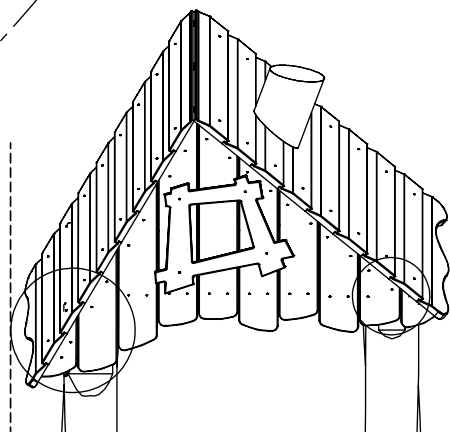
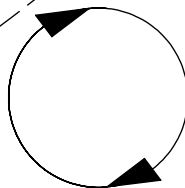
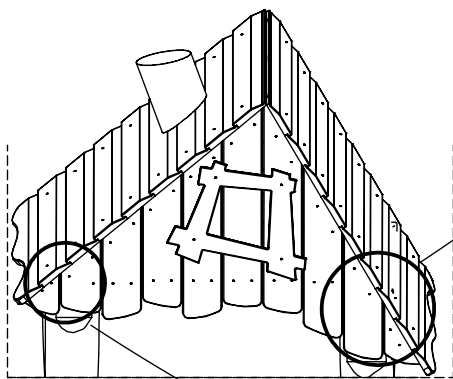


[cm]

vinci
play



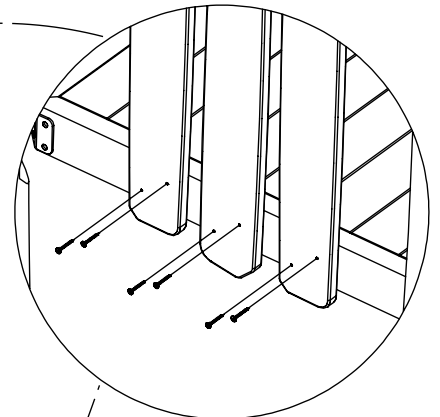
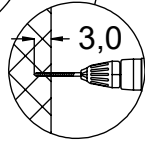
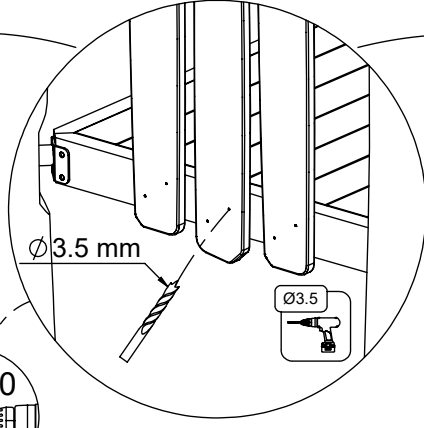
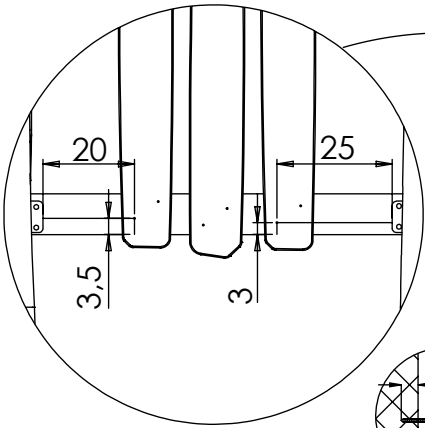
8x 5x50sxs



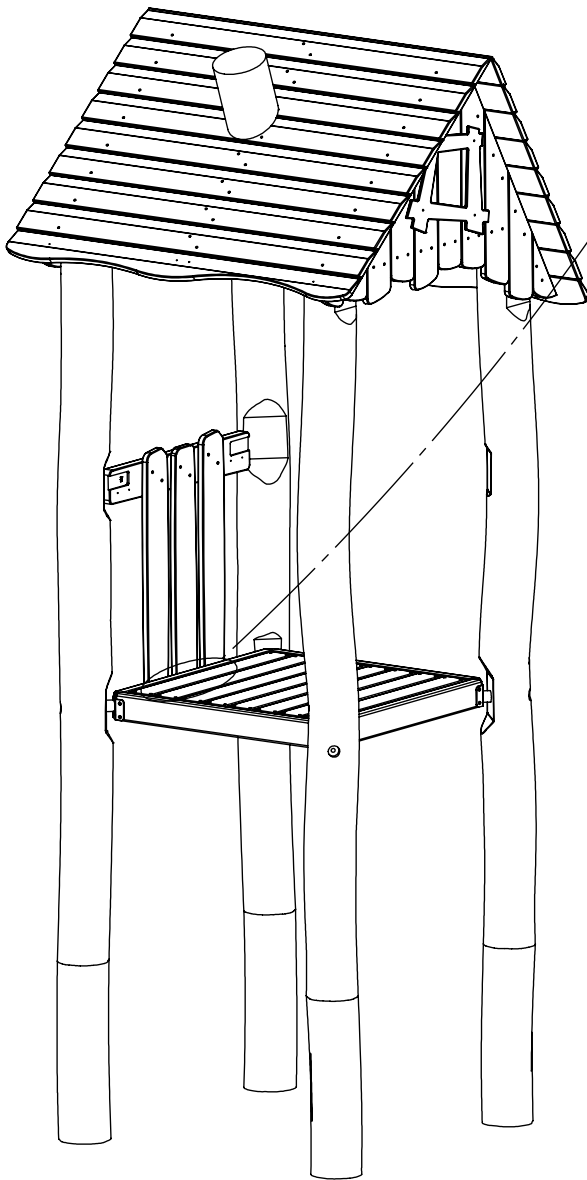
10x 5x50sxs

[cm]

vinci
play

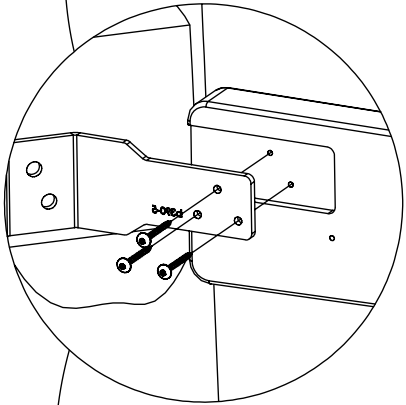
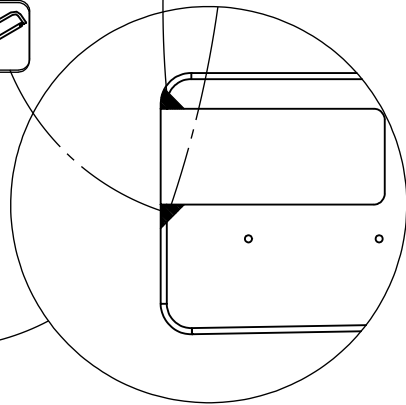
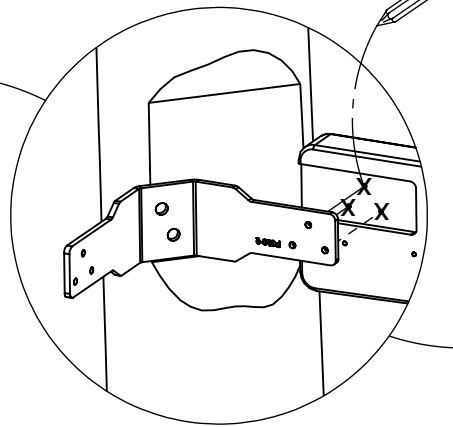
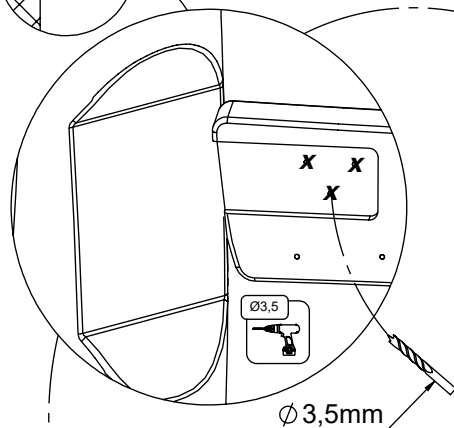
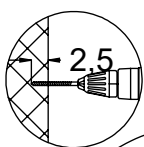
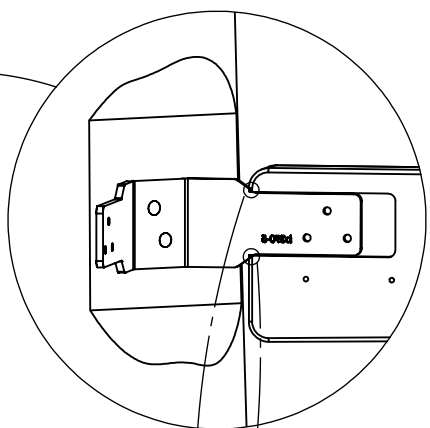
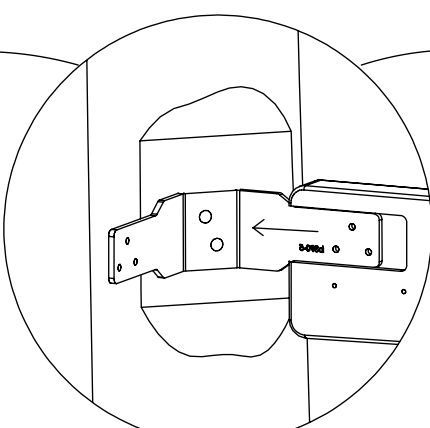
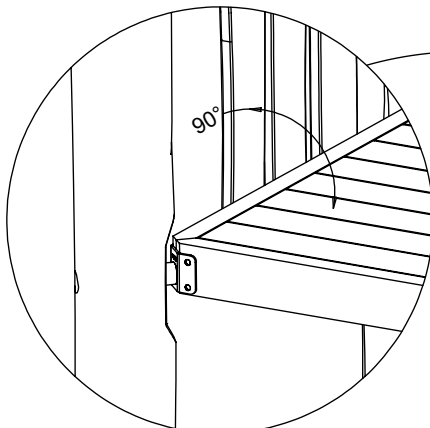


6x **5x50sxs**



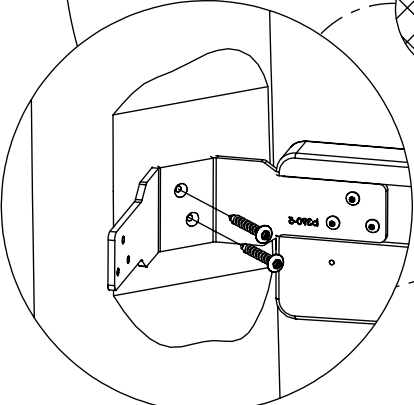
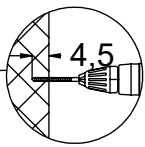
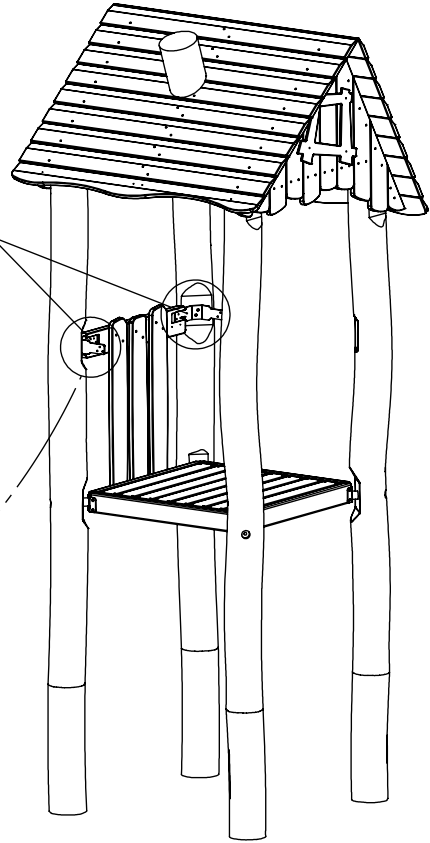
[cm]

vinci
play



6x 5x30sxs

2x b390



4x 8x50sxi

[cm]

vinci play

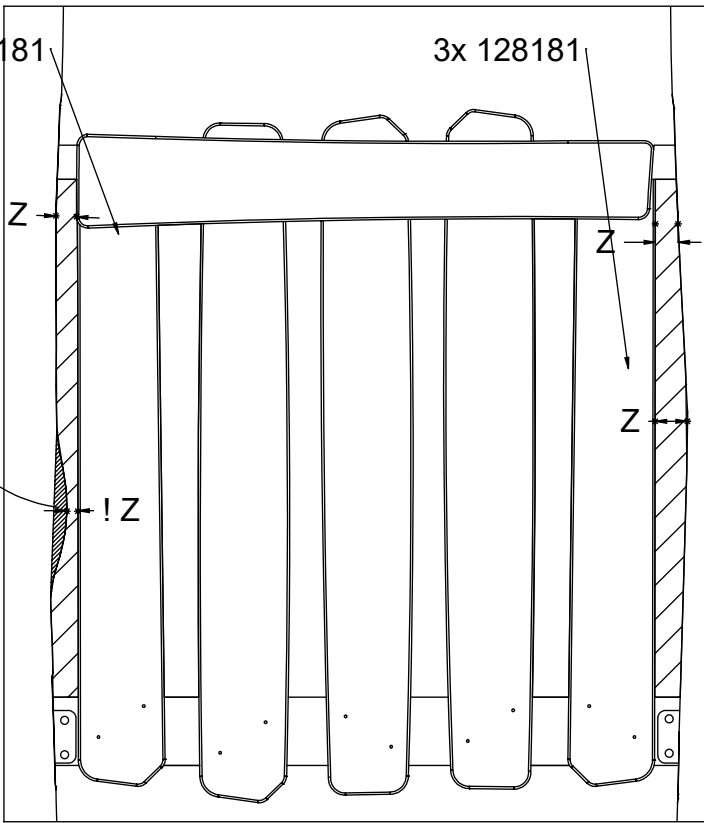
3x 128181

3x 128181

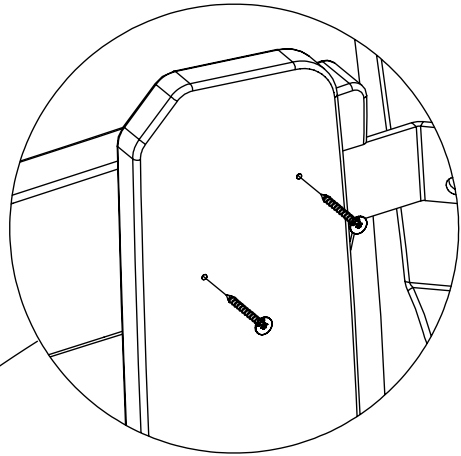
Z

Z

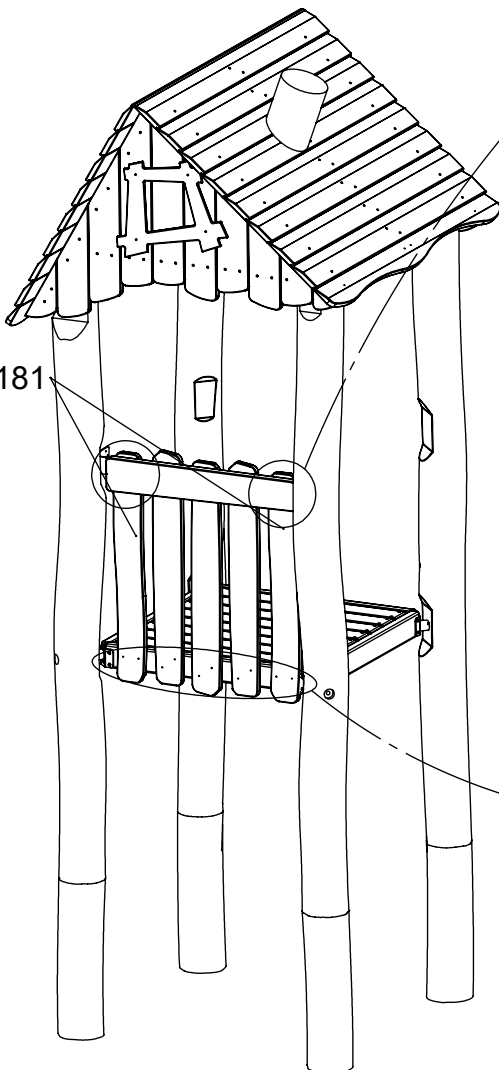
! Z



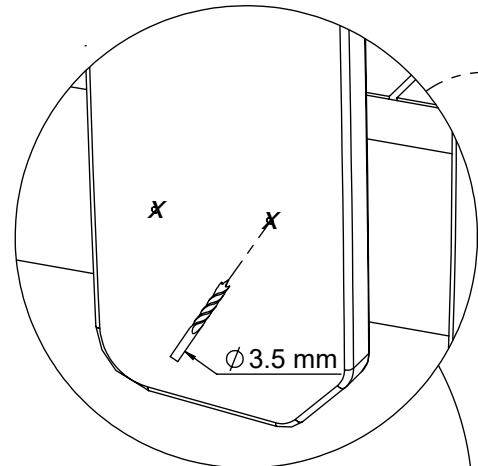
! 30mm < Z < 85mm



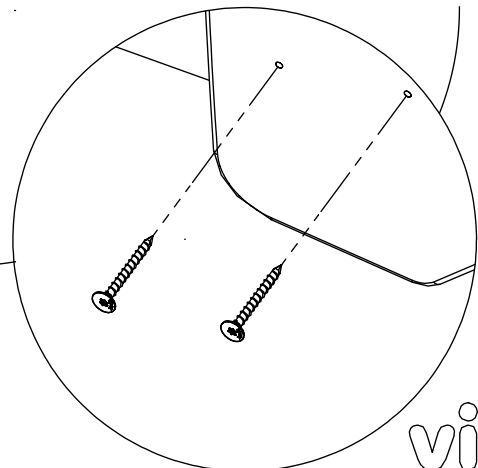
4x 5x50sxs



2x 128181



Ø 3.5 mm



4x 5x50sxs

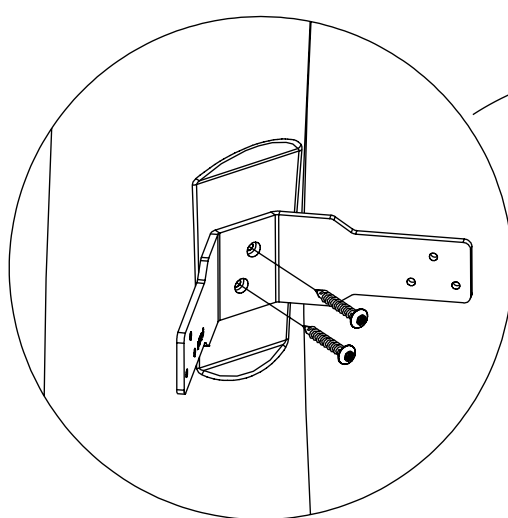
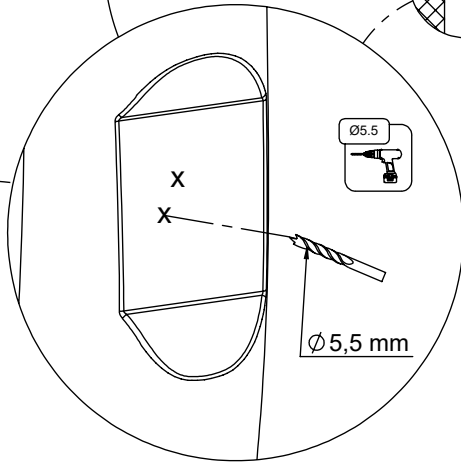
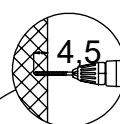
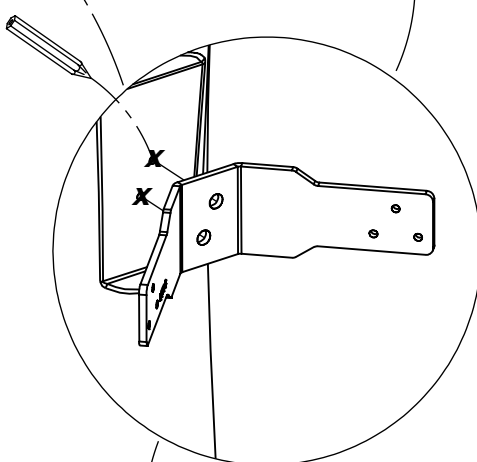
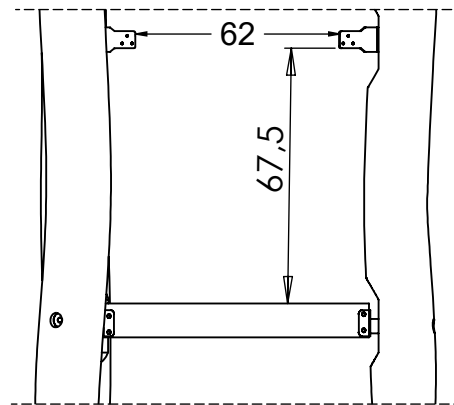
vinci play

[cm]

2x b390

A

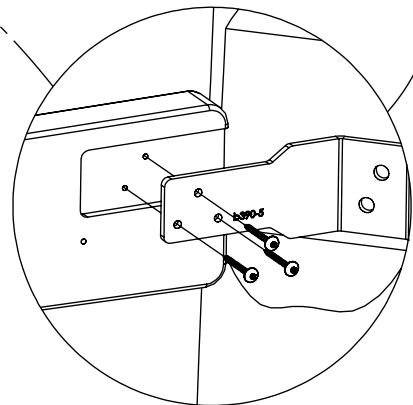
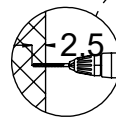
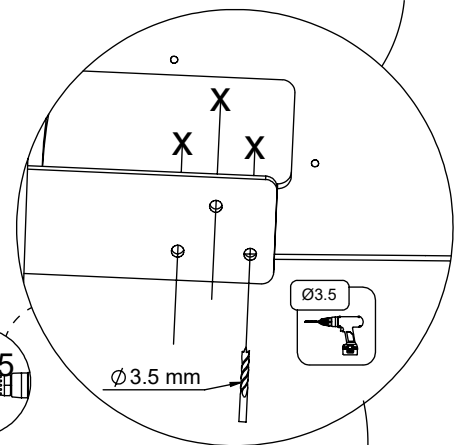
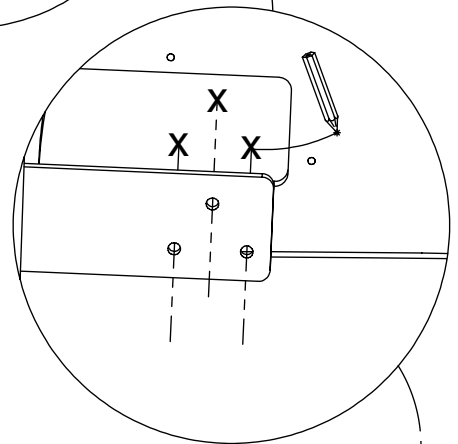
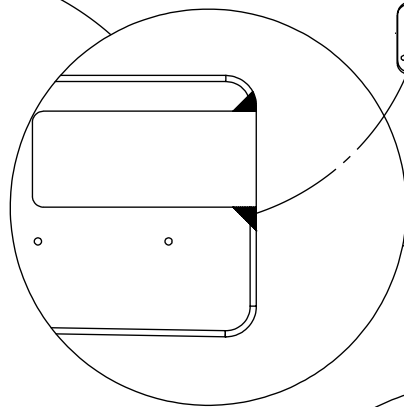
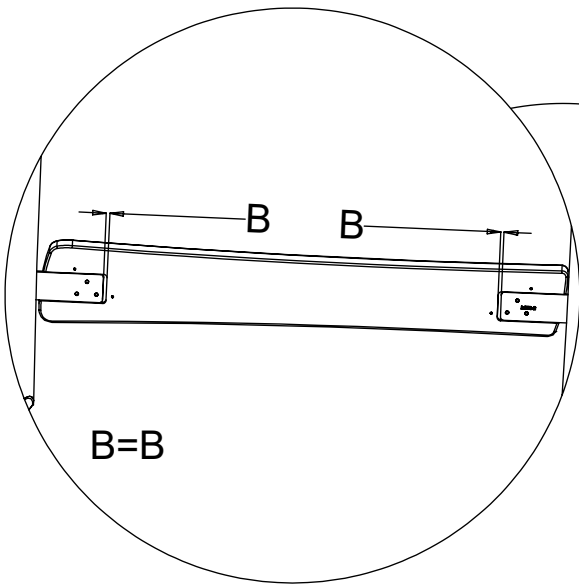
A=A≈62



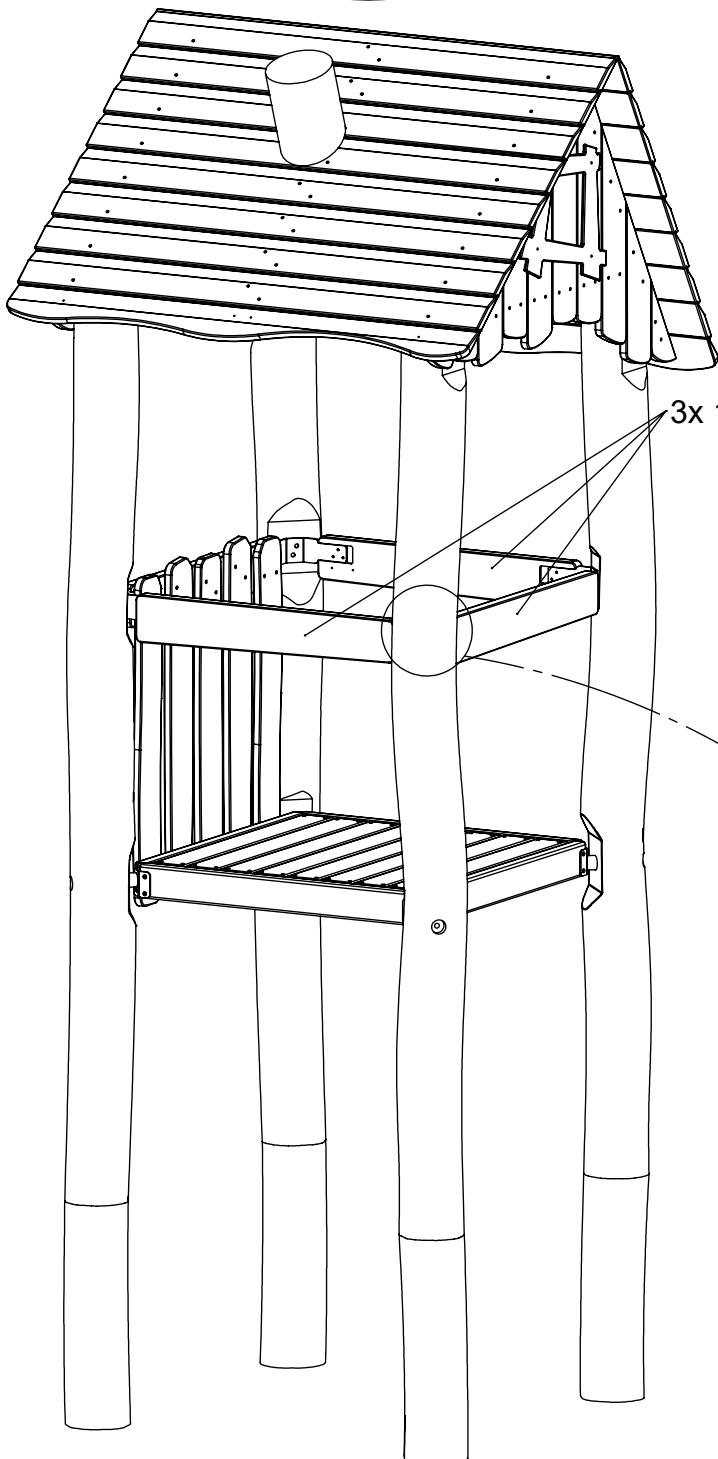
4x 8x50sxi

[cm]

vinci
play



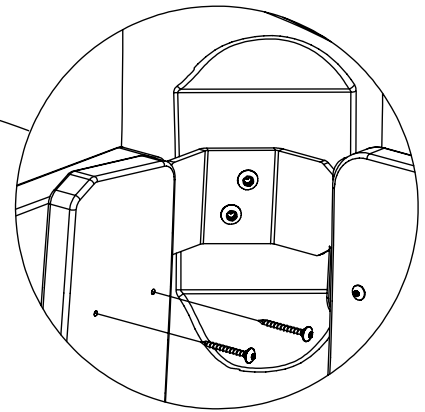
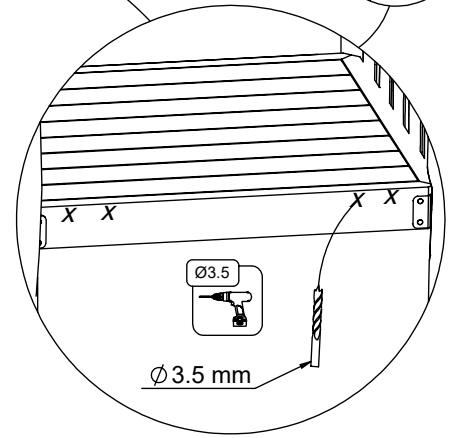
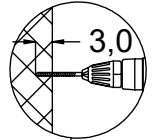
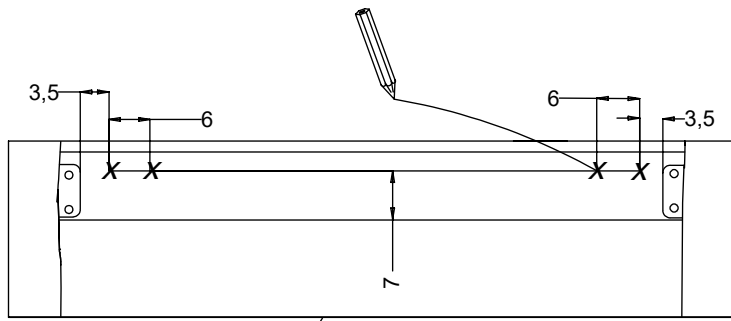
18x 5x30sxs



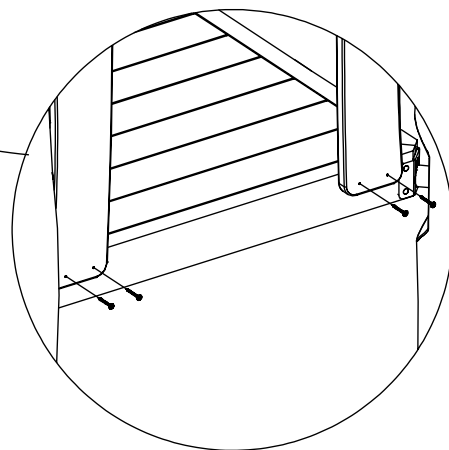
3x 128107

[cm]

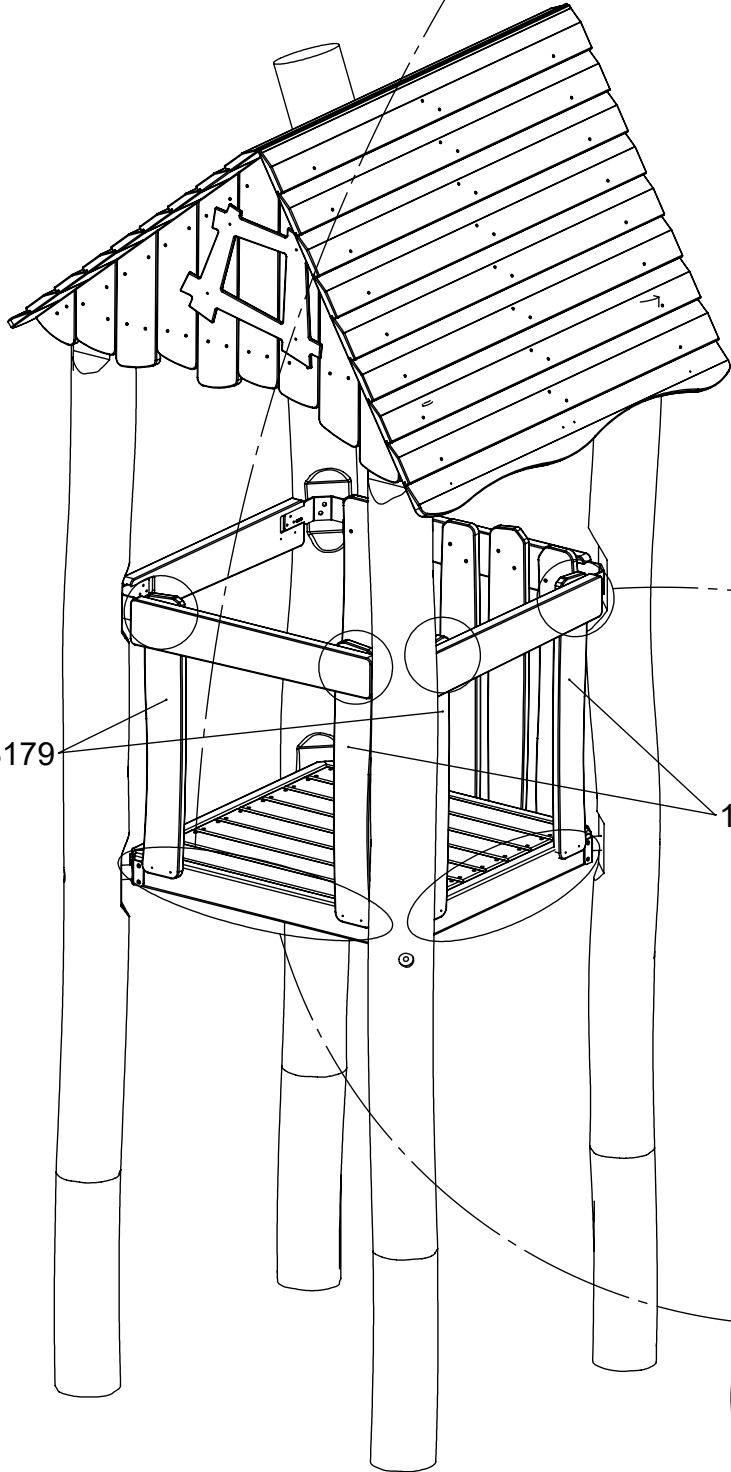
vinci
play



8x 5x50sxs



8x 5x50sxs

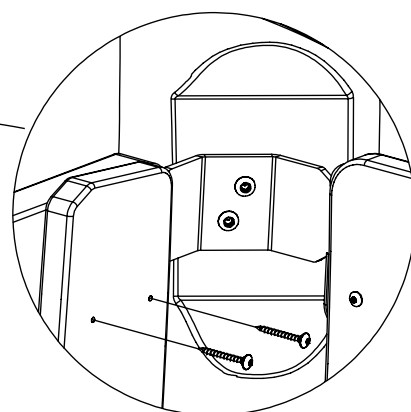
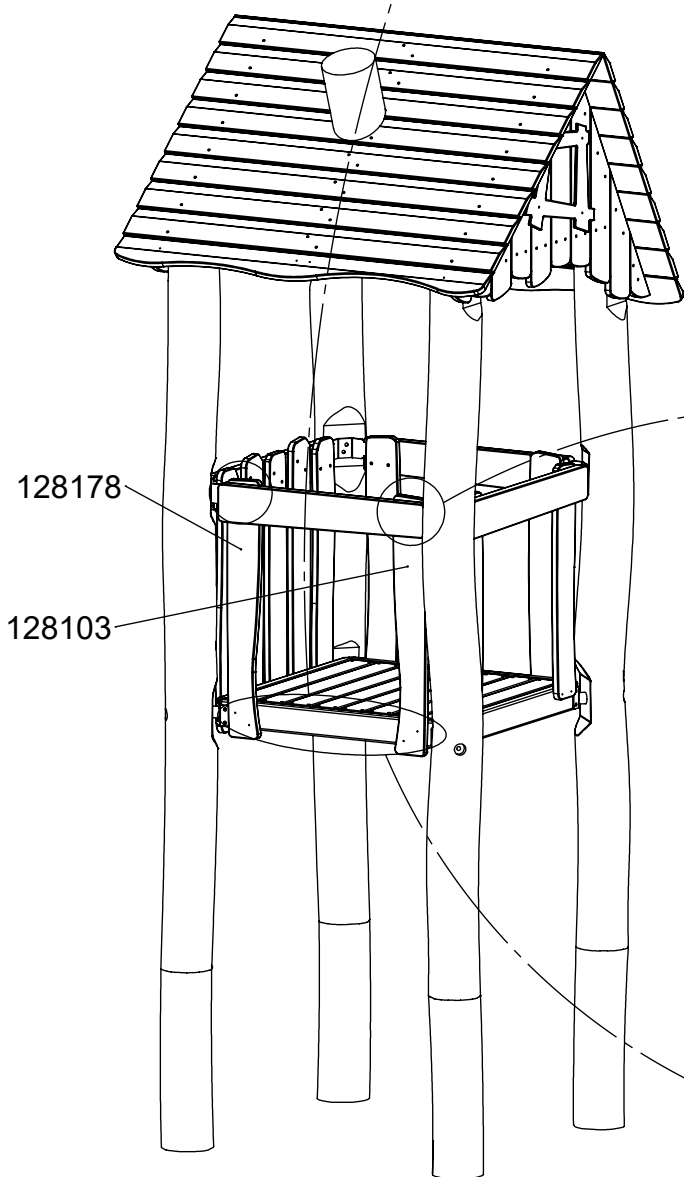
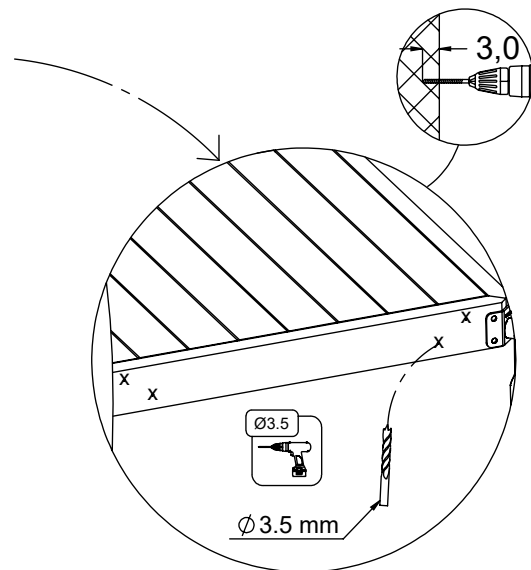
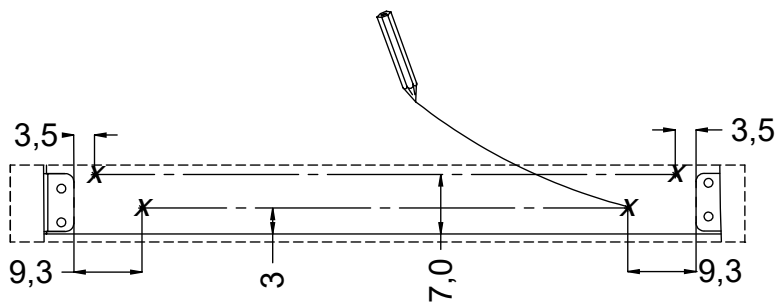


128179

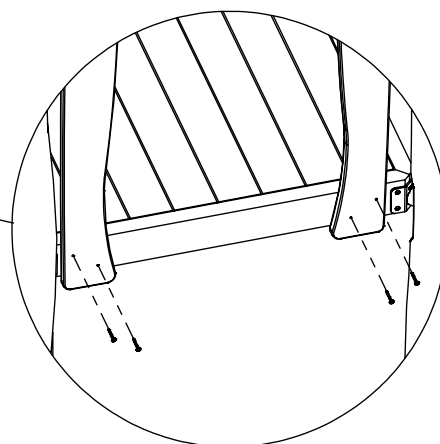
128113

[cm]

vinci play



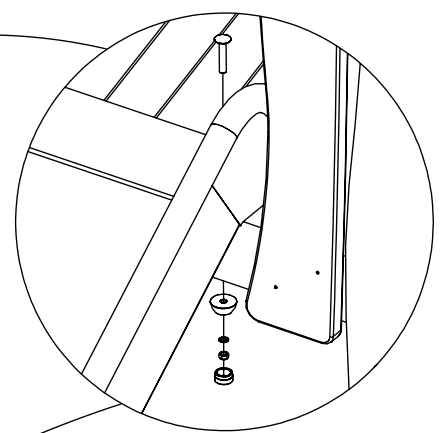
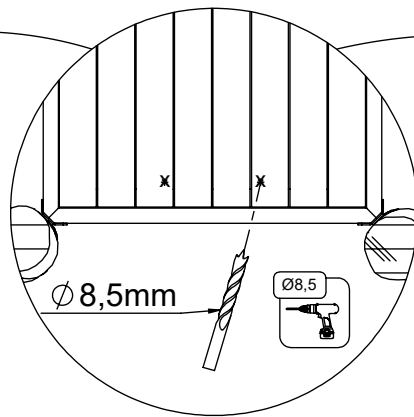
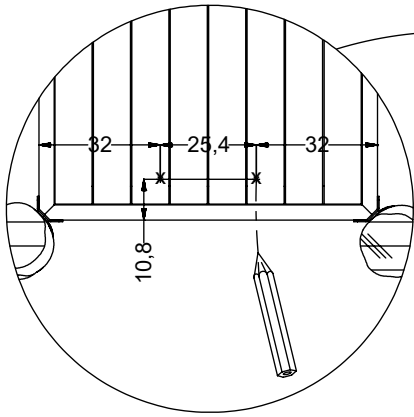
4x 5x50sxs



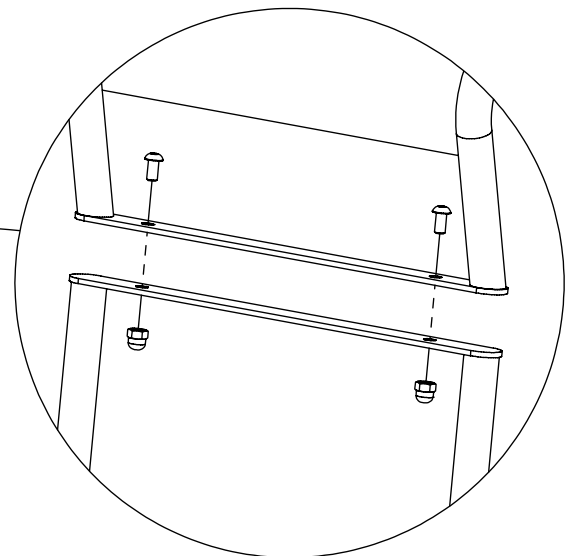
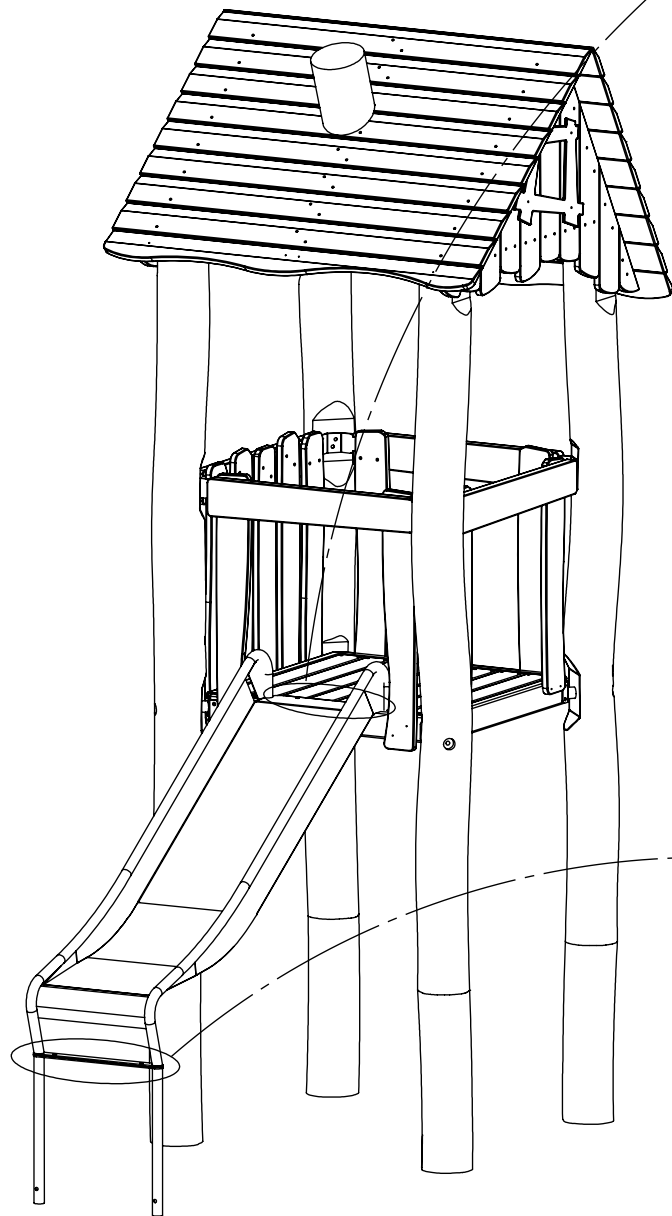
4x 5x50sxs

[cm]

vinci
play



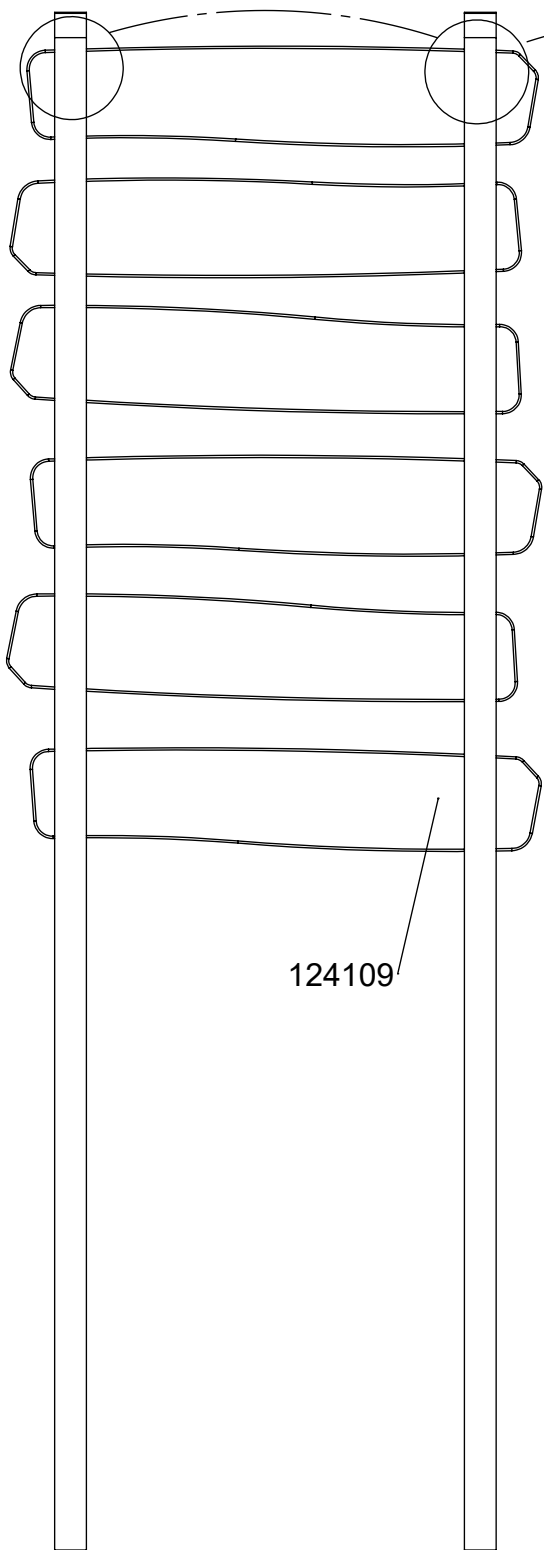
1x 12e019



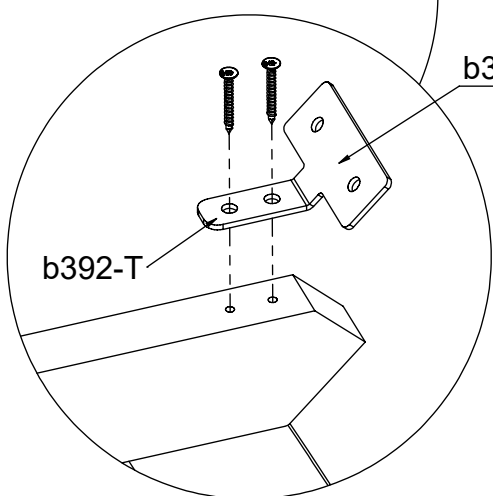
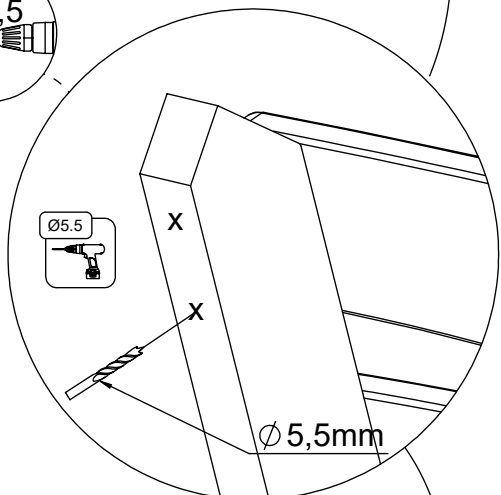
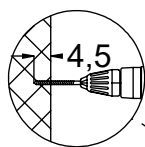
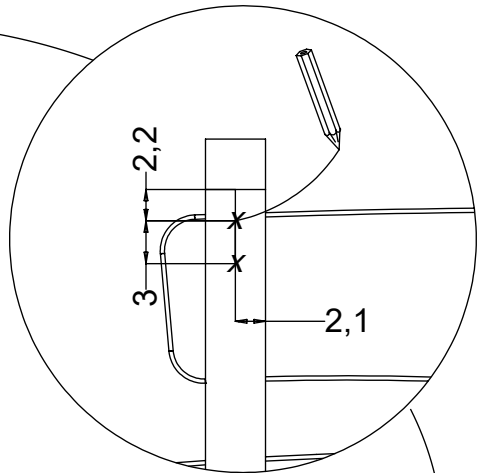
1x 12e030

[cm]

vinci
play



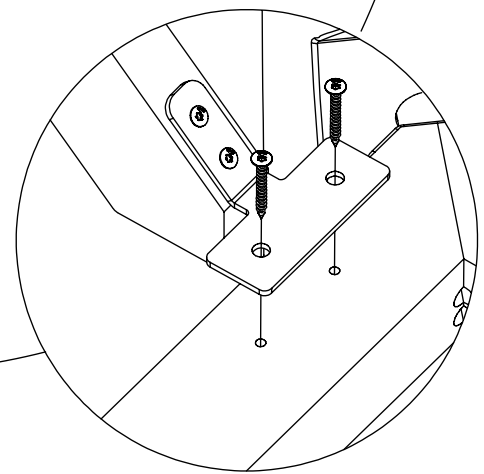
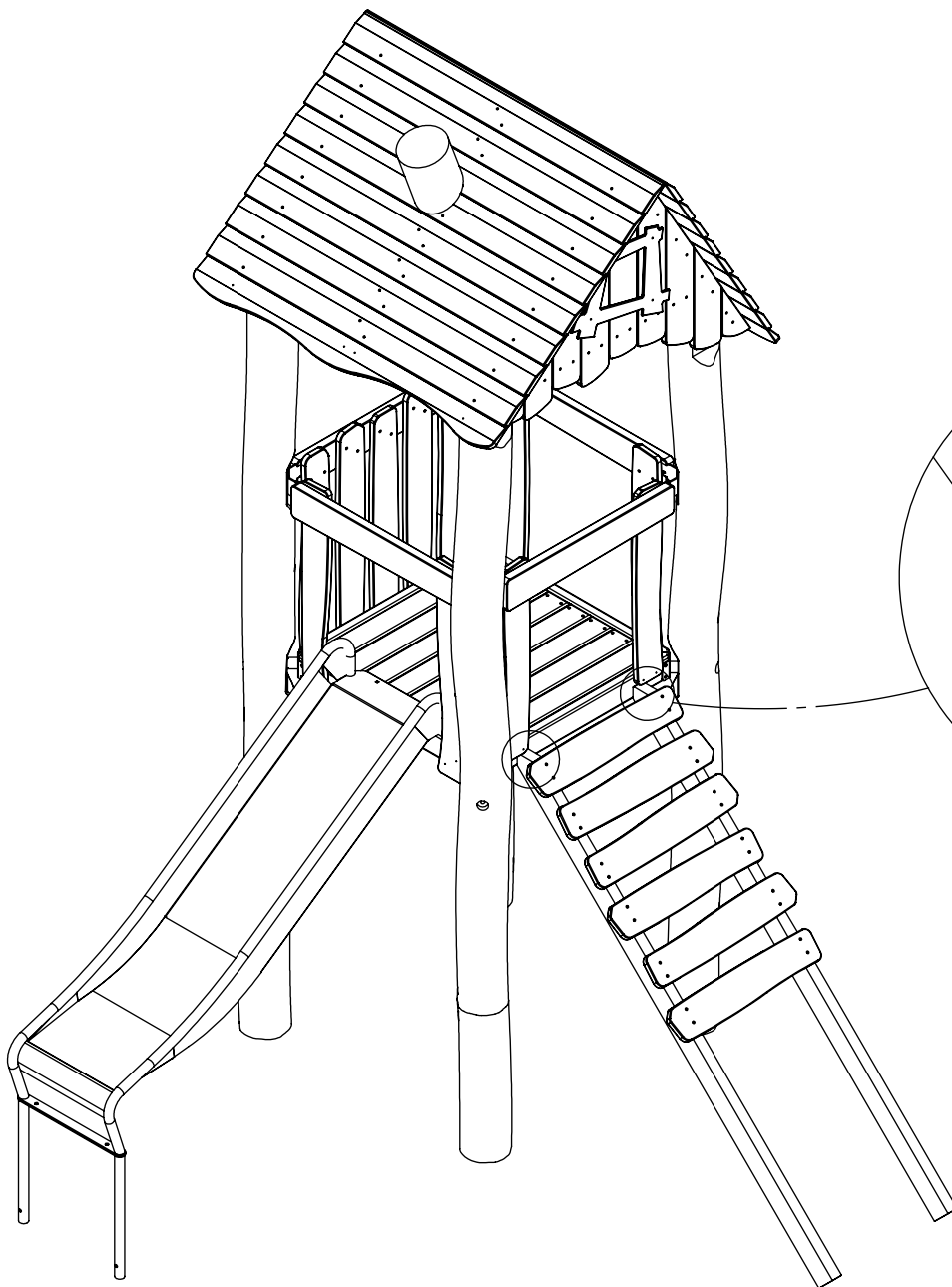
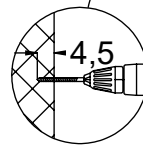
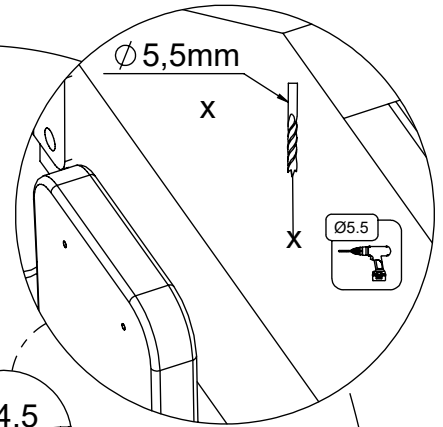
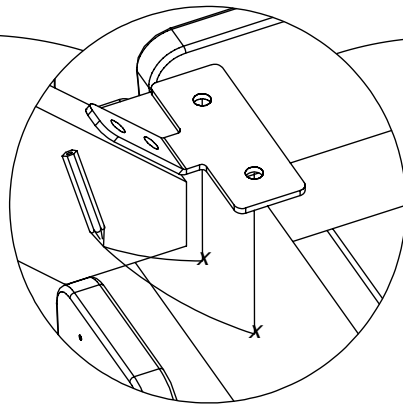
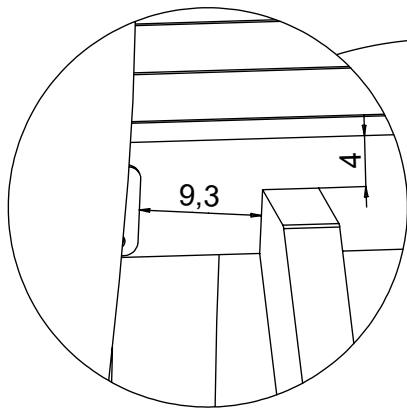
124109

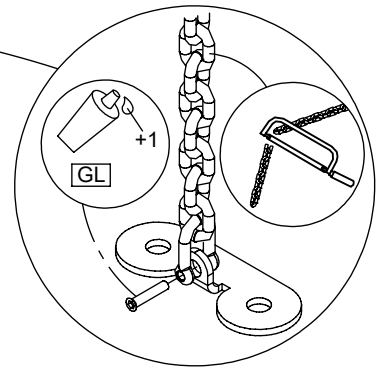
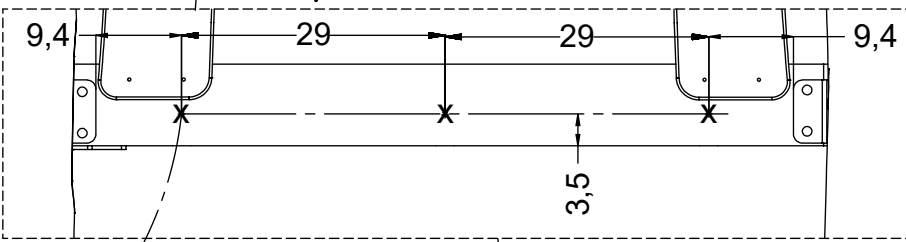
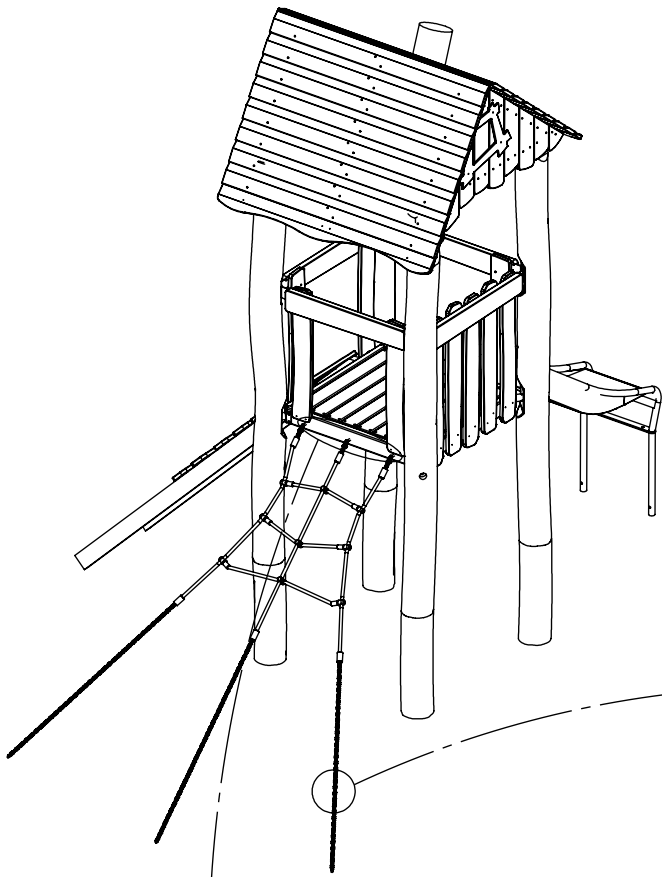


4x 8x50 sxi

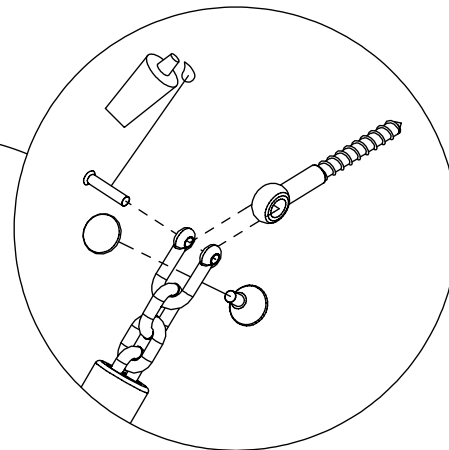
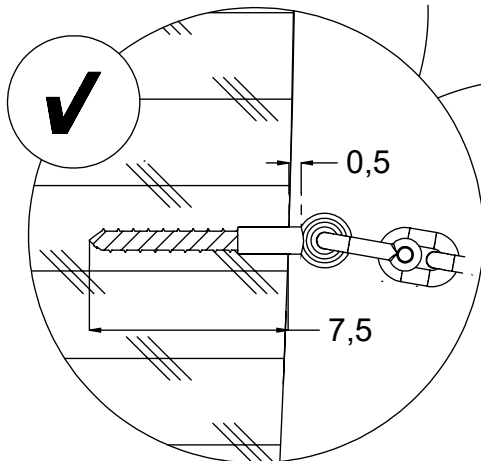
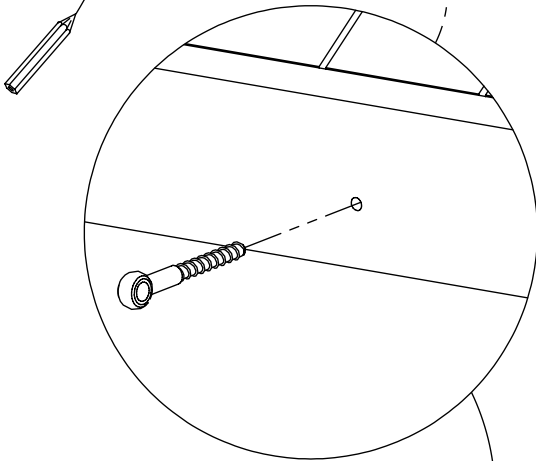
[cm]

vinci
play





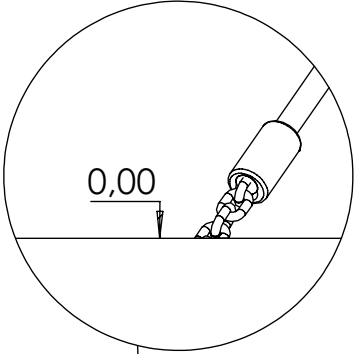
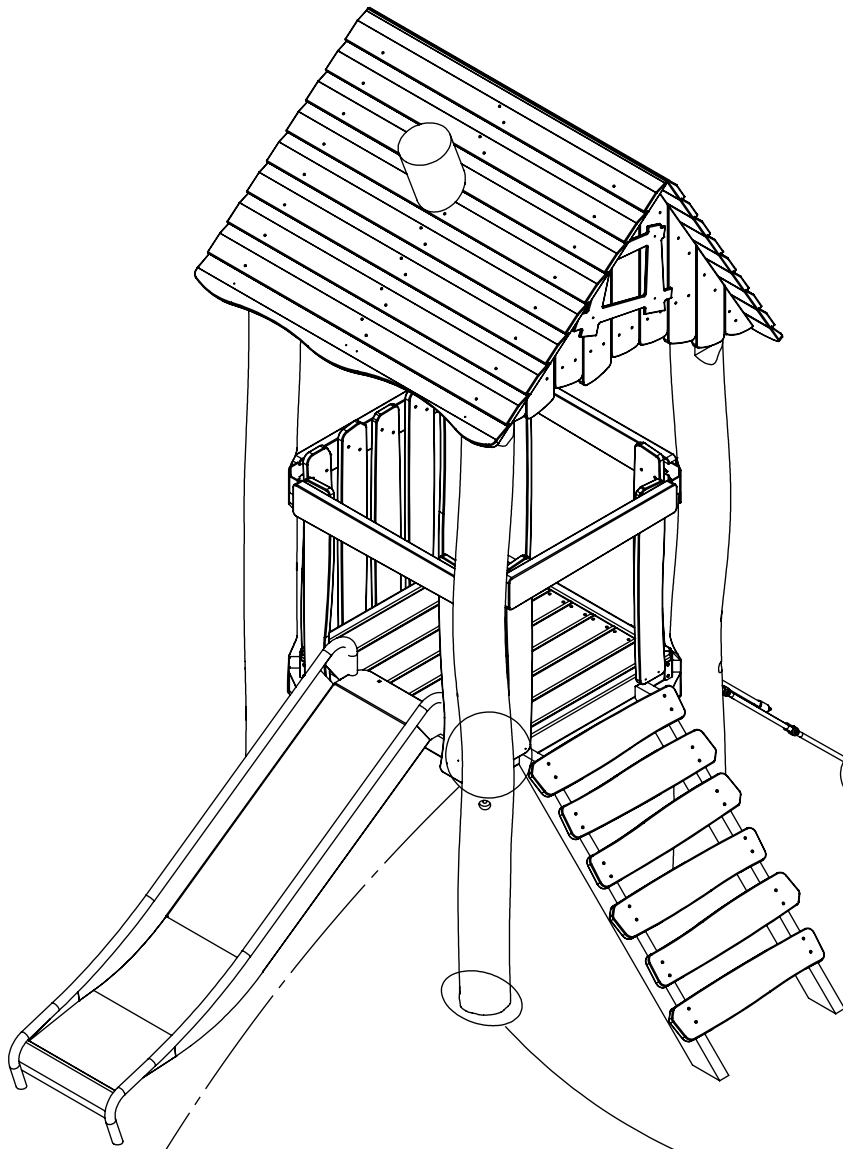
3x 12e052



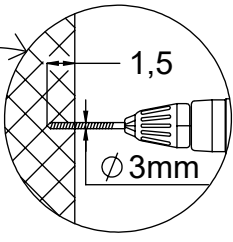
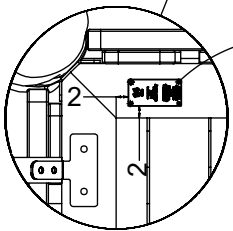
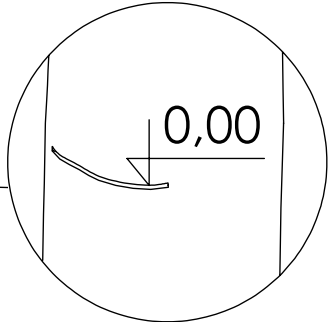
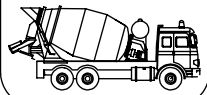
1x 12e015

[cm]

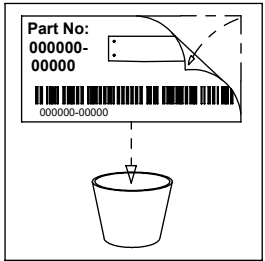
vinci
play



48h



V001



[cm]

vinci play