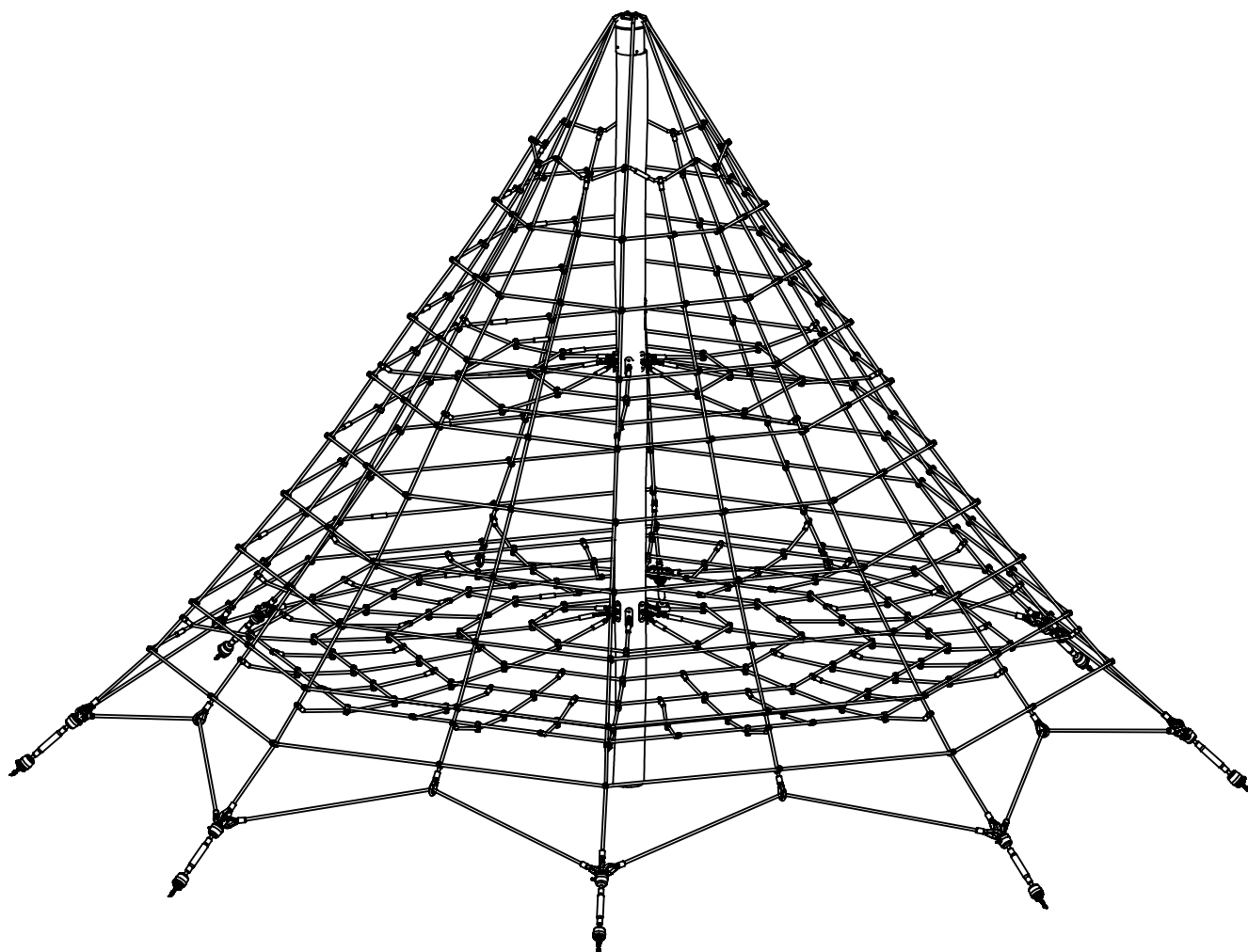


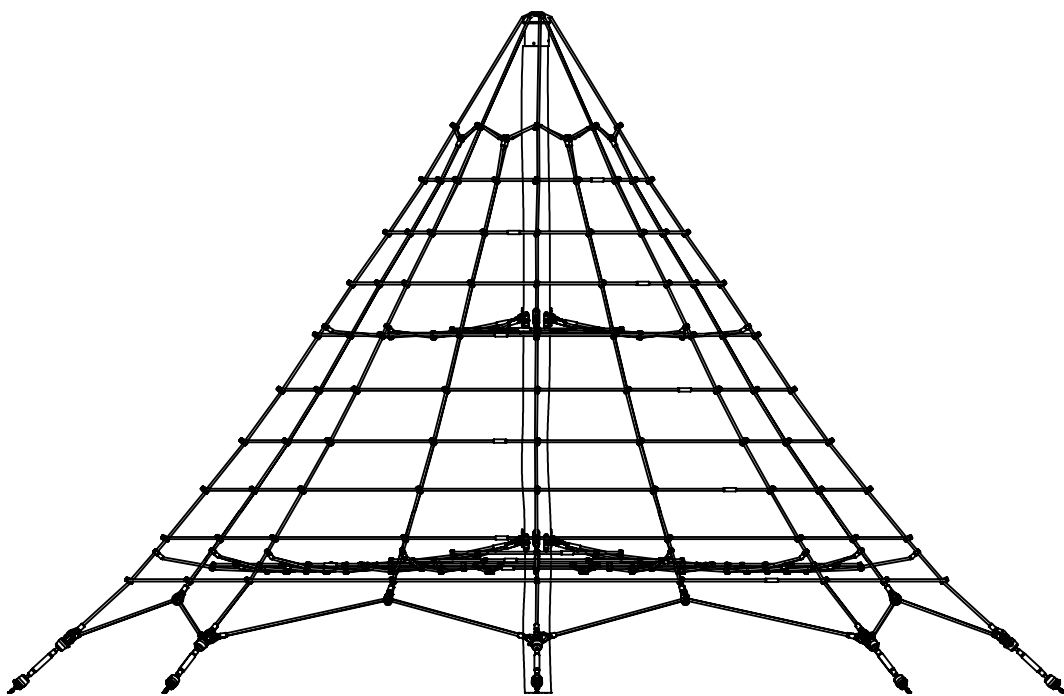
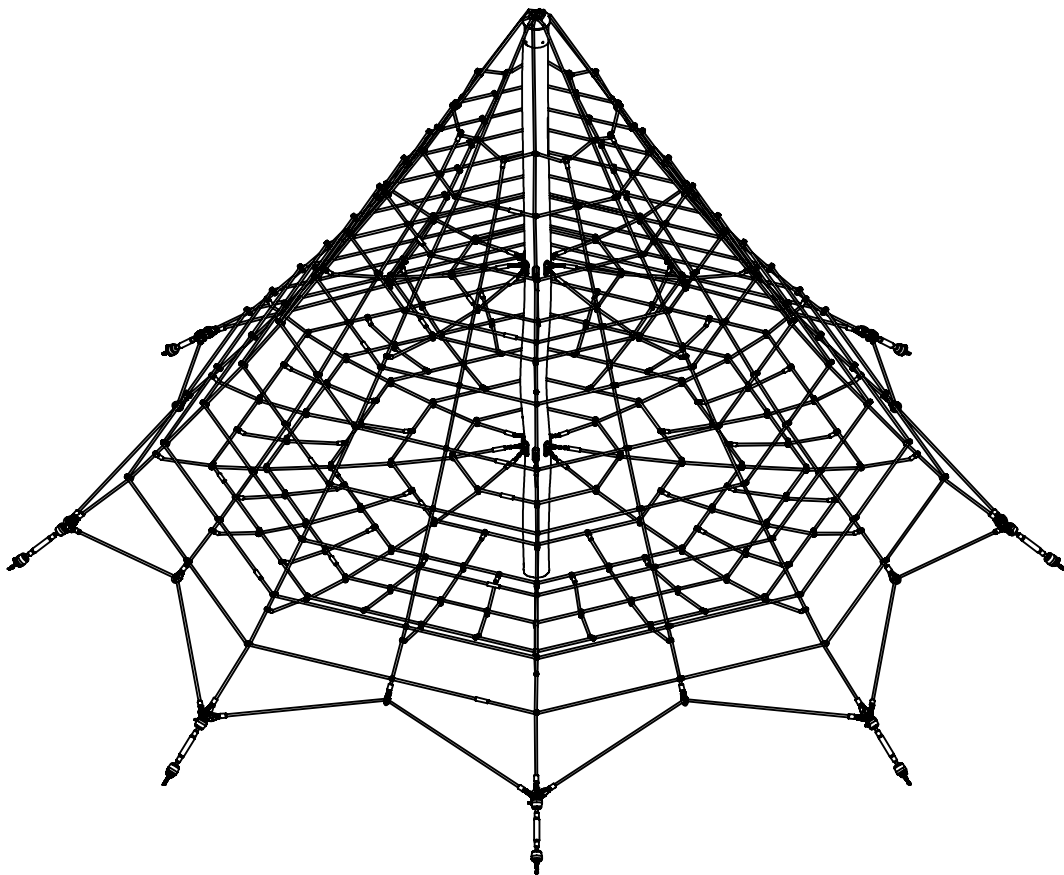
RB1383



EN 1176	4.5h	x2	100 HIC	48h 	K29b x8 >0.06m ³	K29a x8 >0.06m ³	K3 x8 >6.98m ³	K29 x1 >0.14m ³

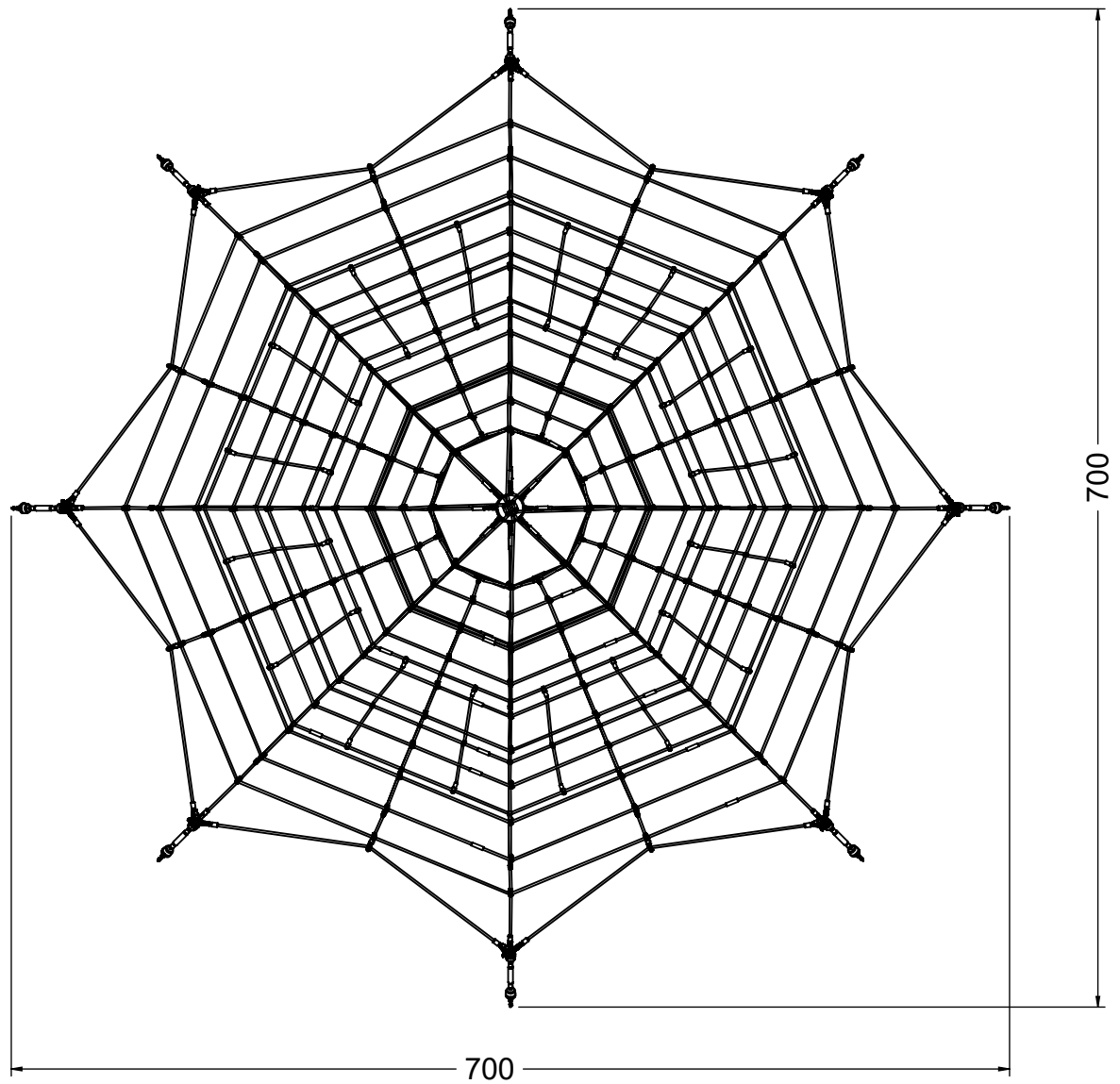
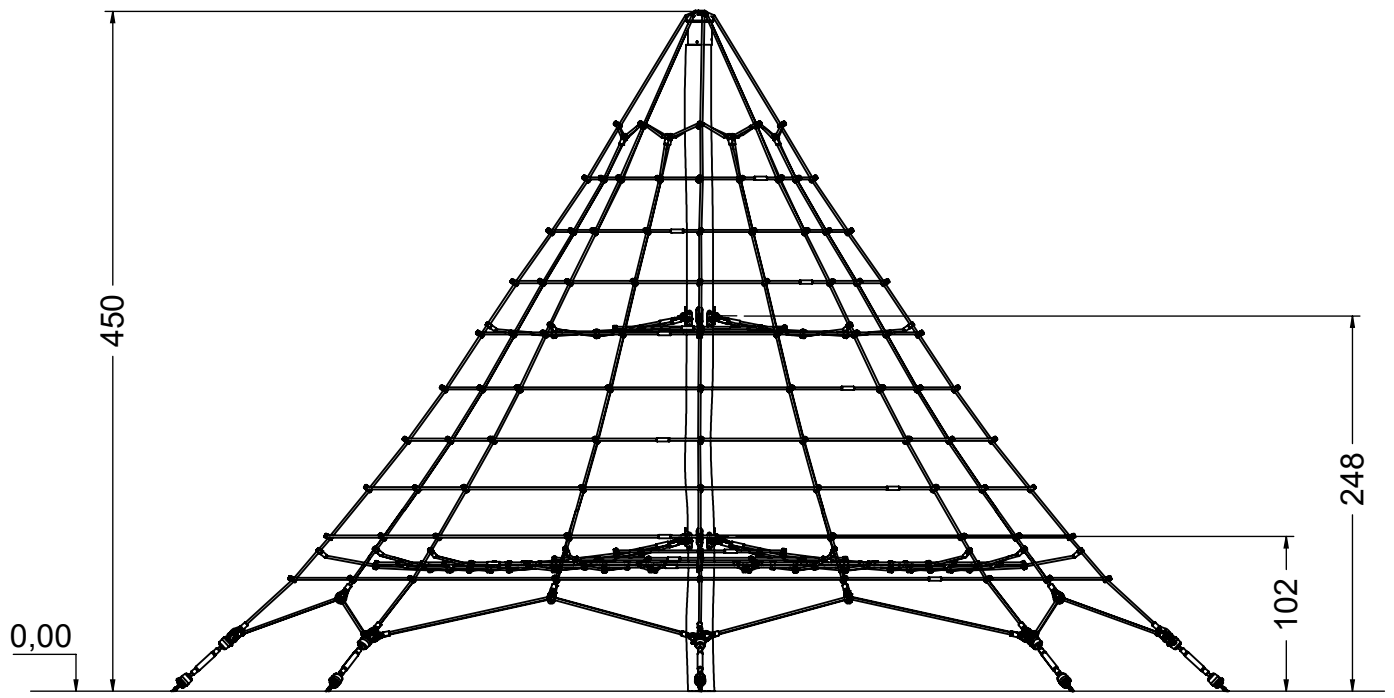
v010
14.12.2021
D. P.
[cm]

vinci
play



[cm]

vinci
play

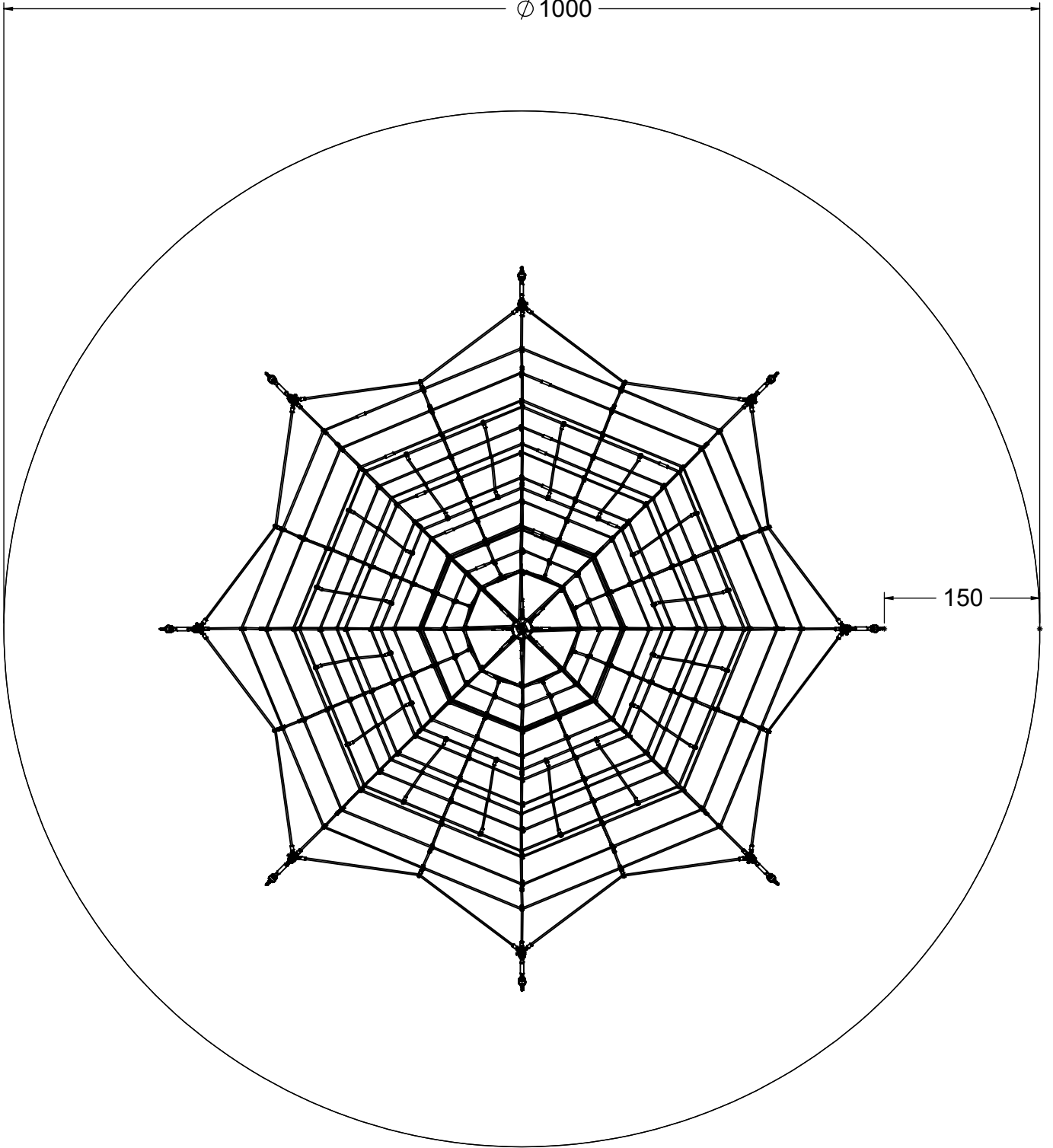


[cm]



vinci
play

Ø 1000

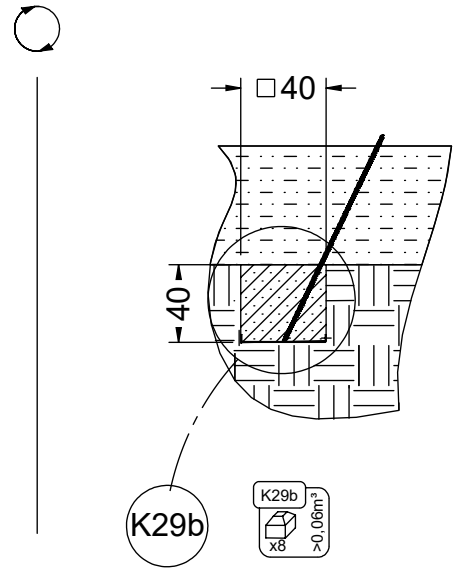
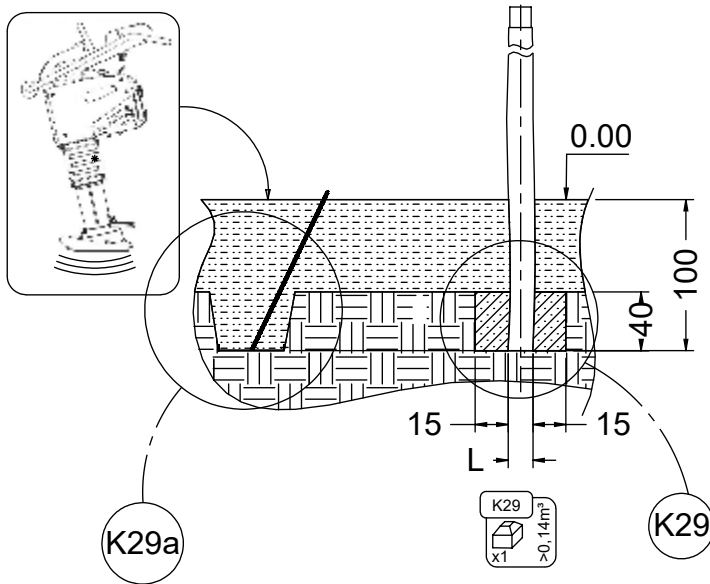


150

[cm]



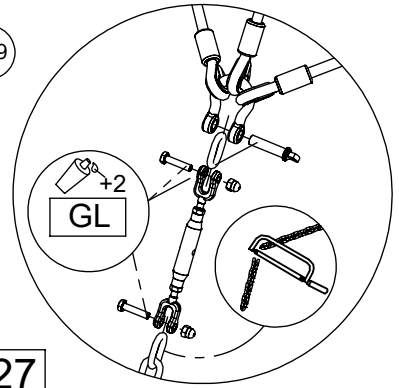
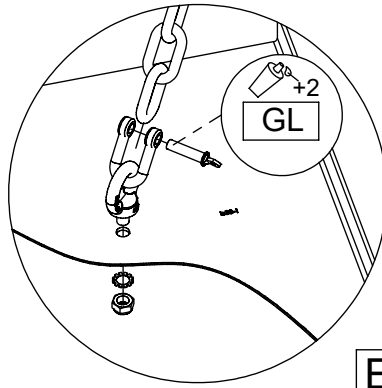
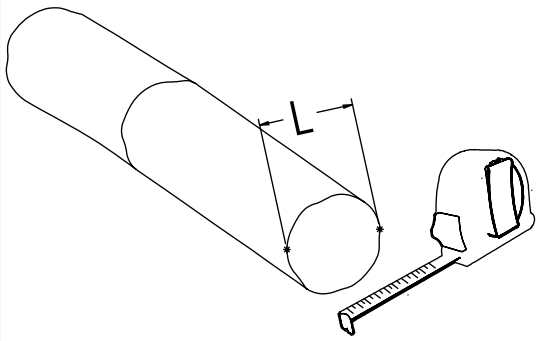
vinci
play



K29a

K29

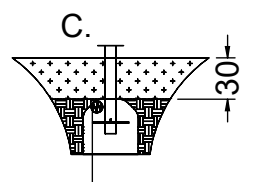
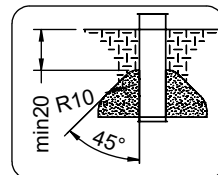
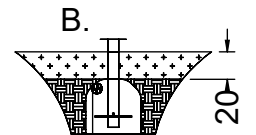
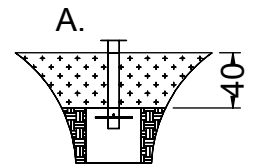
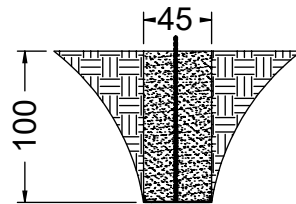
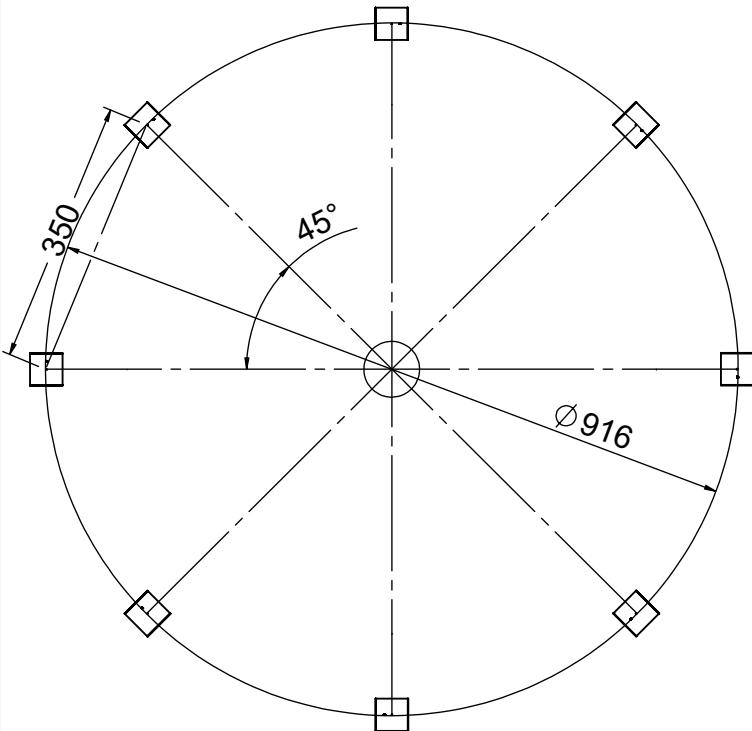
K29b



E227

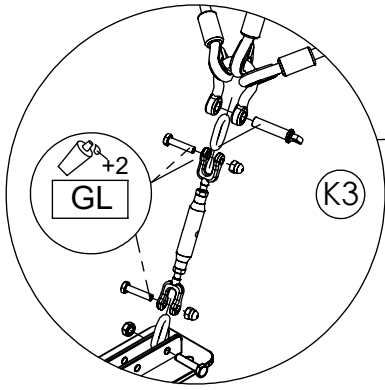
E228

K29

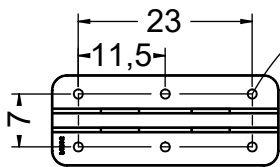
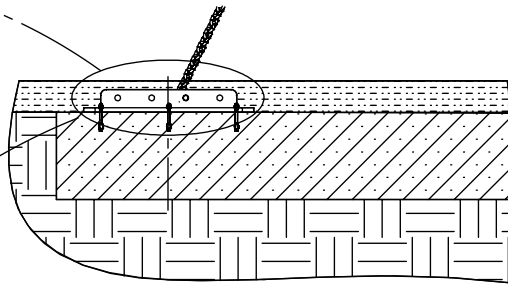



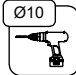

[cm]

vinci
play

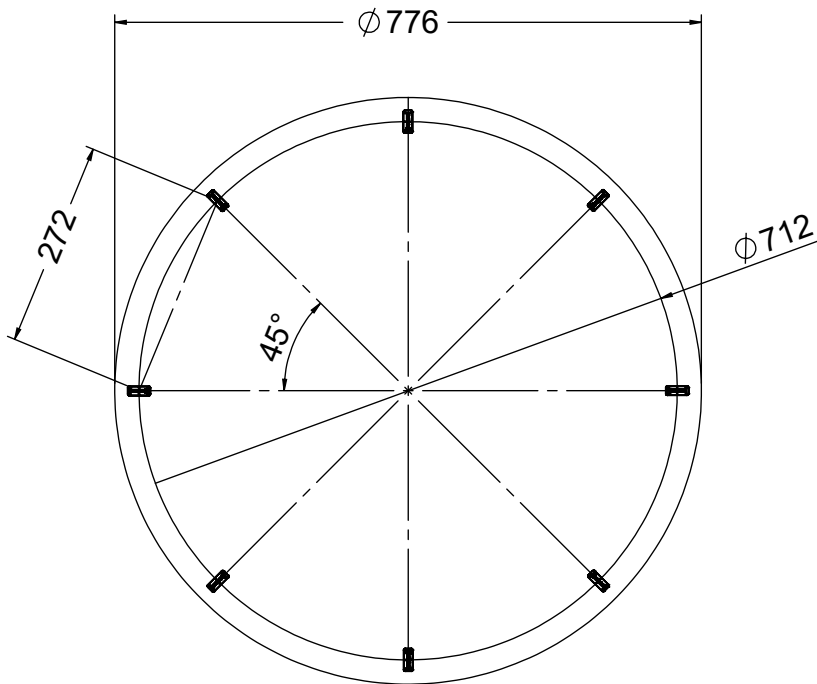


E229



	K3
M10x120 x48	
NOT INCLUDED	

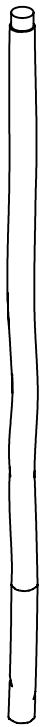
K3



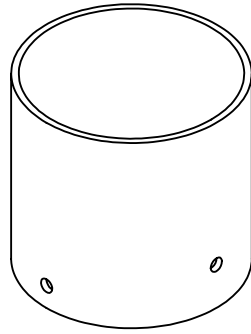
[cm]



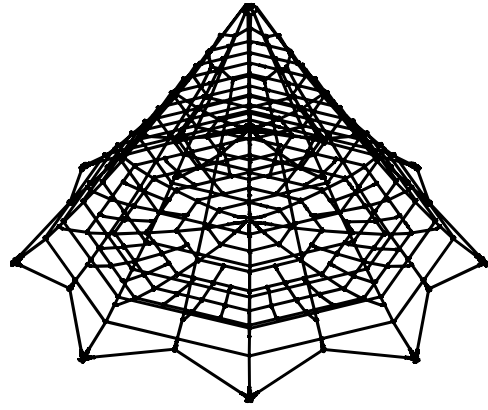
vinci
play



127166
x1



123116
x1

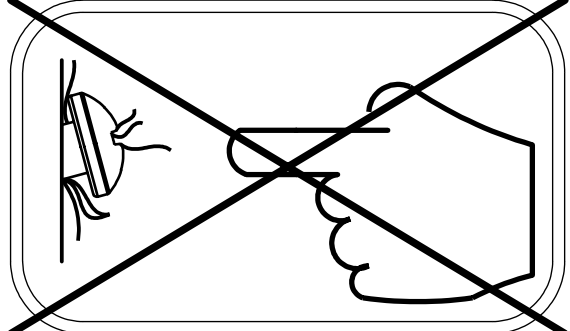
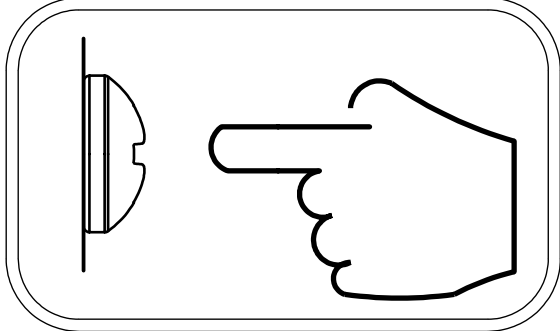
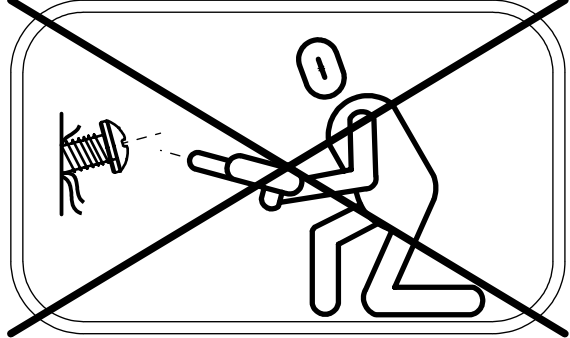


124163
x1

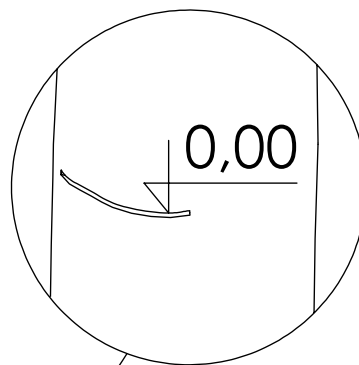
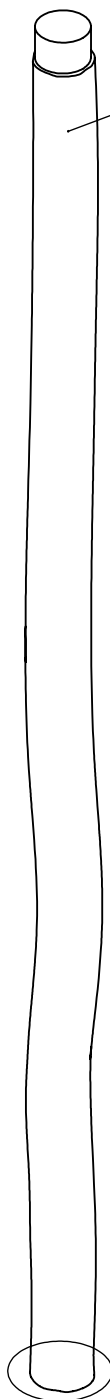
K29	K3
B-38 x8	042152 x8

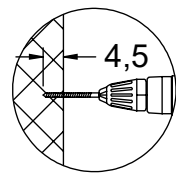
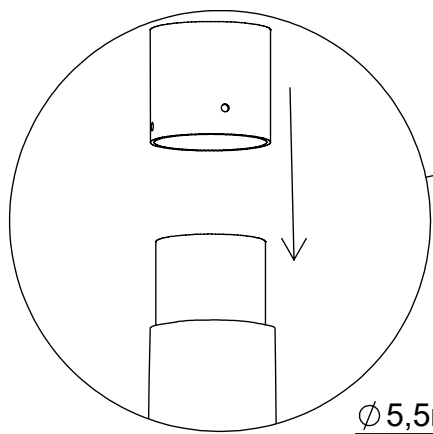
1x	12e063
16x	162103
2x	E200
8x	E227 (K29)
8x	E228 (K29)
8x	E229 (K3)
2x	GL
1x	V001

36x	8x50sxi

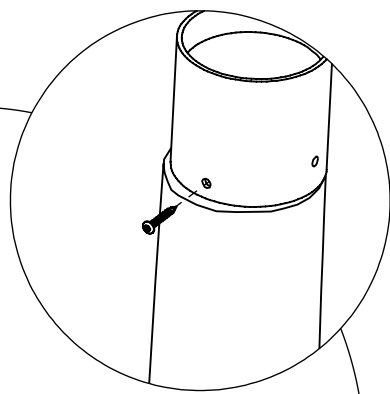
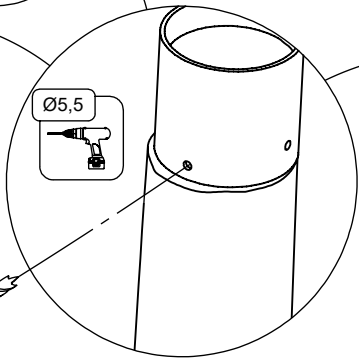


127166

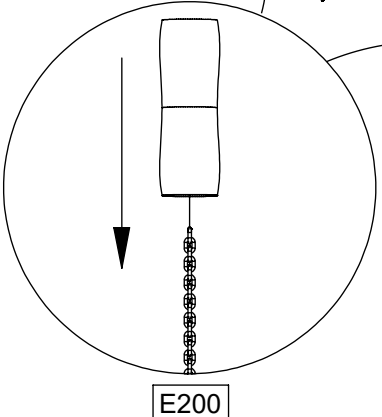
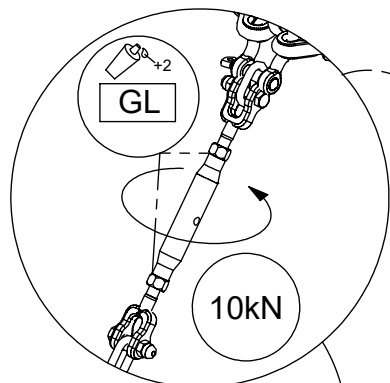
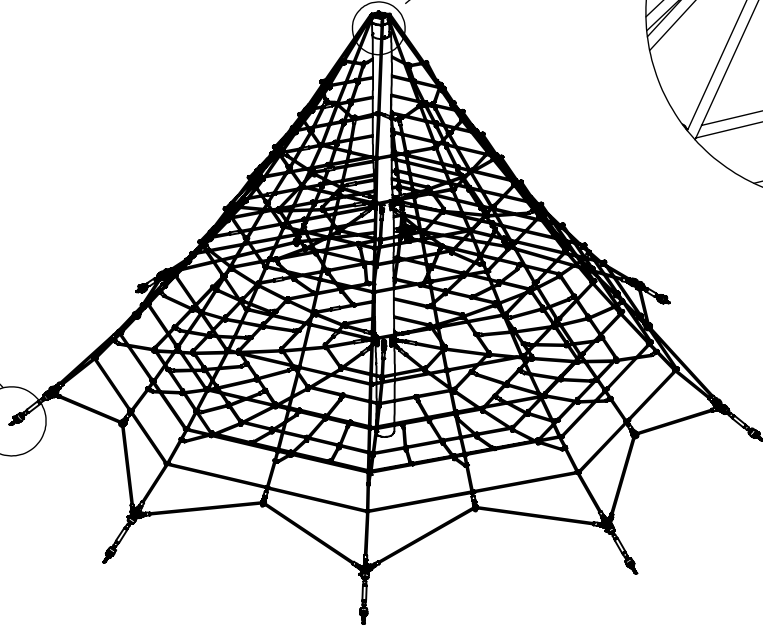
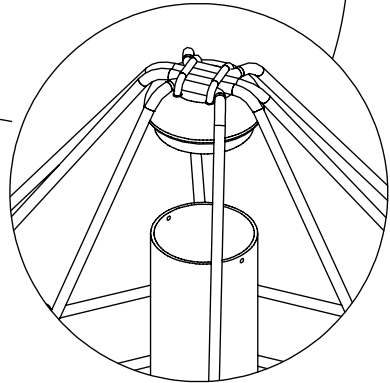




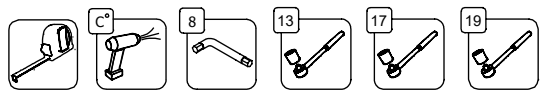
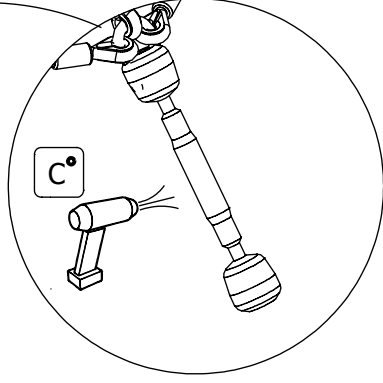
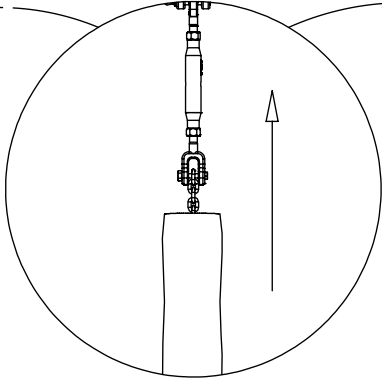
Ø 5,5mm



4x 8x50ski

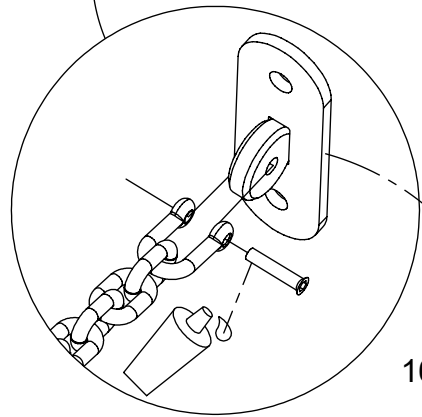
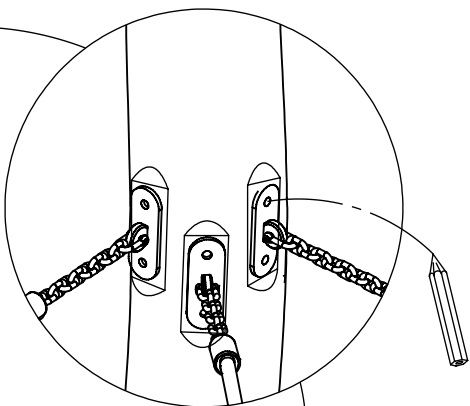
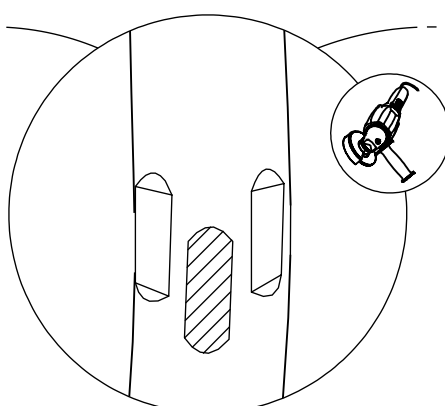
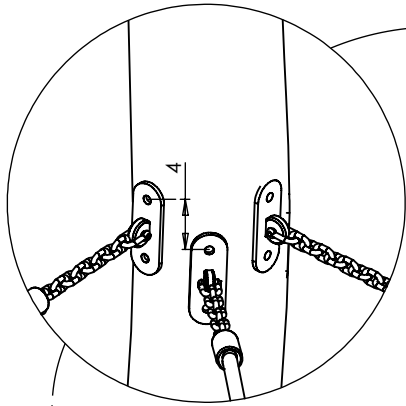


E200



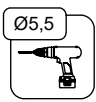
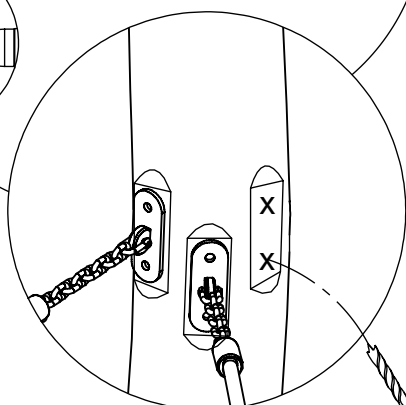
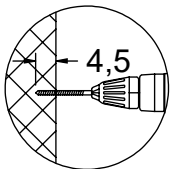
[cm]

vinci play

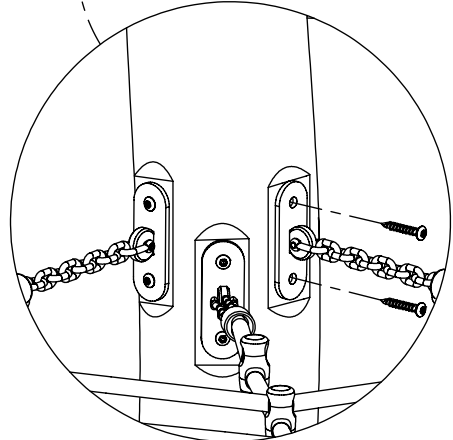
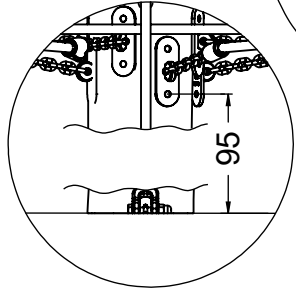
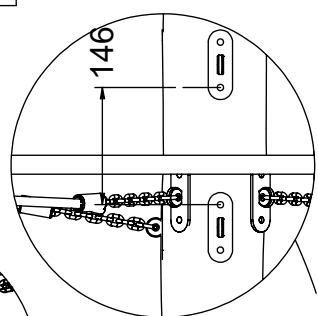


16x 162103

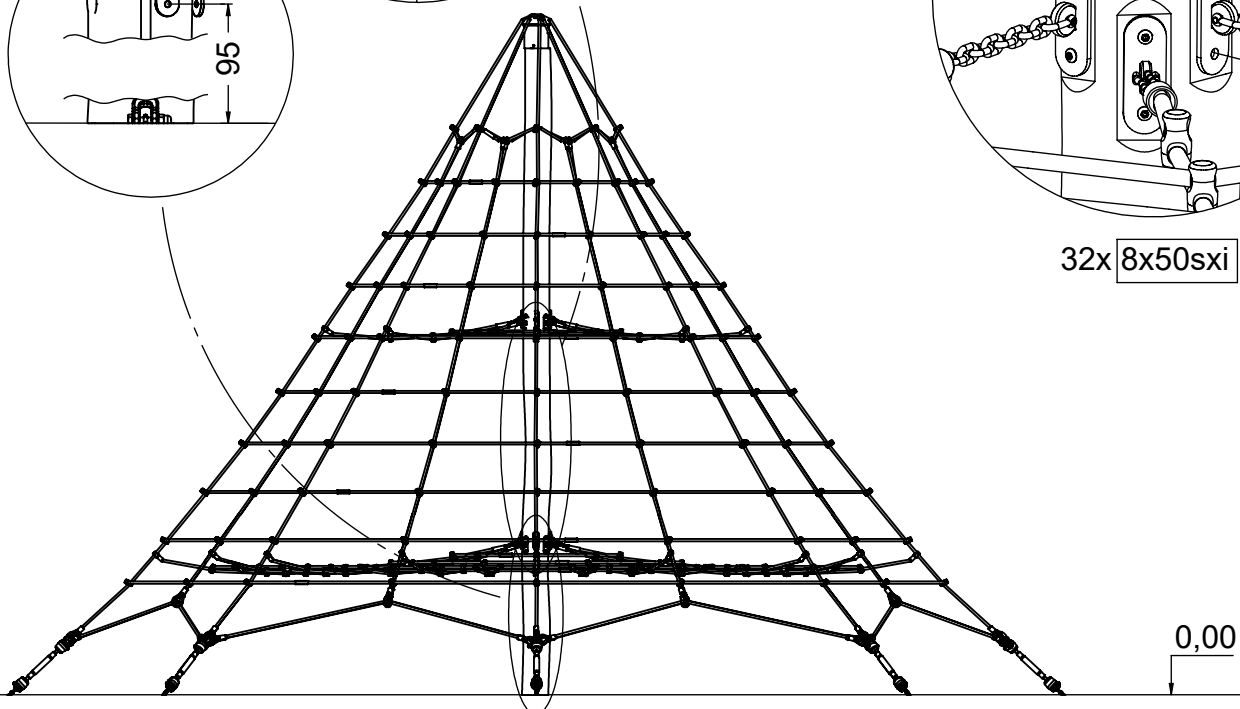
1x 12e063



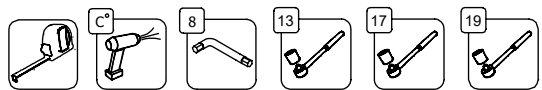
Ø 5,5mm



32x 8x50sxi



0,00



C²

8

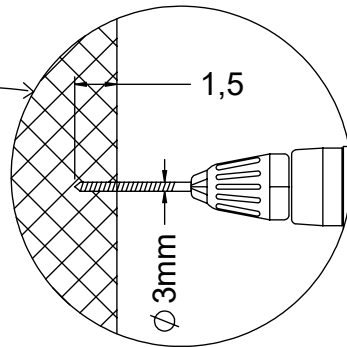
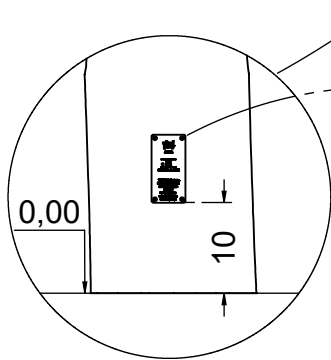
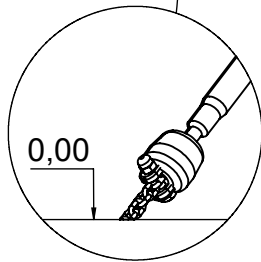
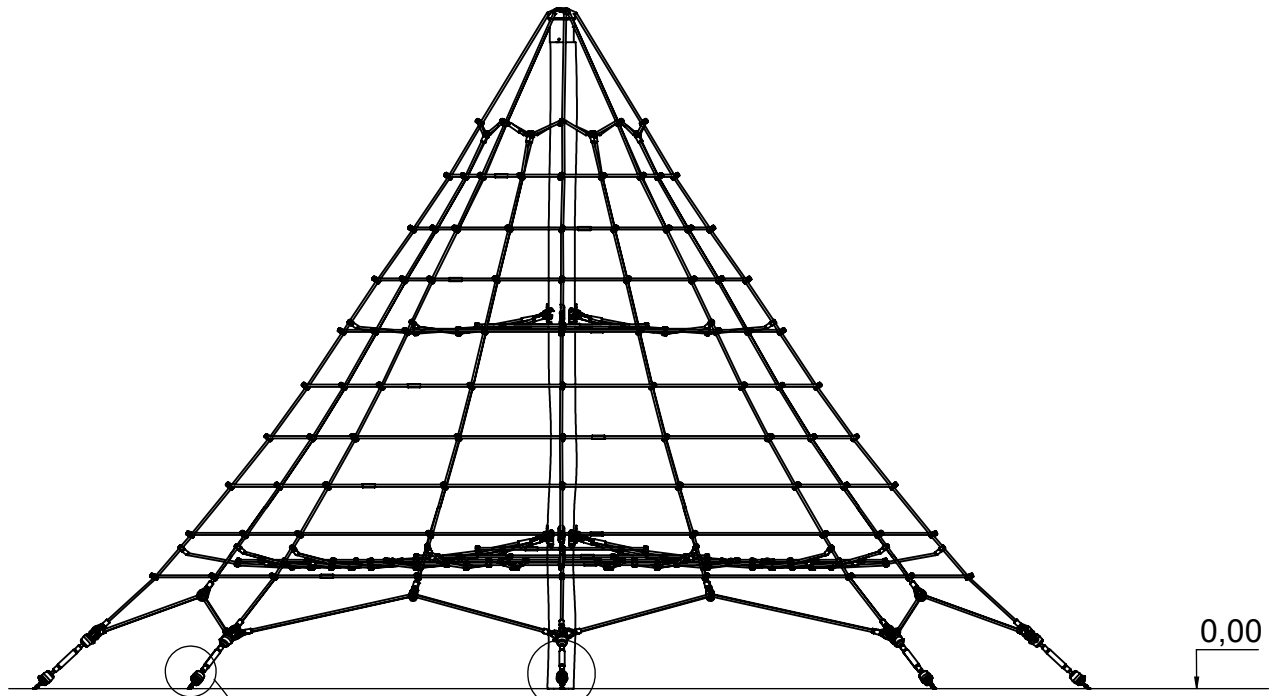
13

17

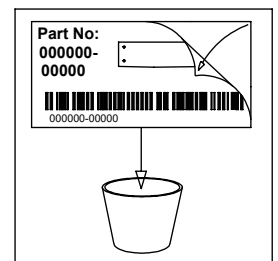
19

[cm]

vinci play



V001



[cm]

vinci
play