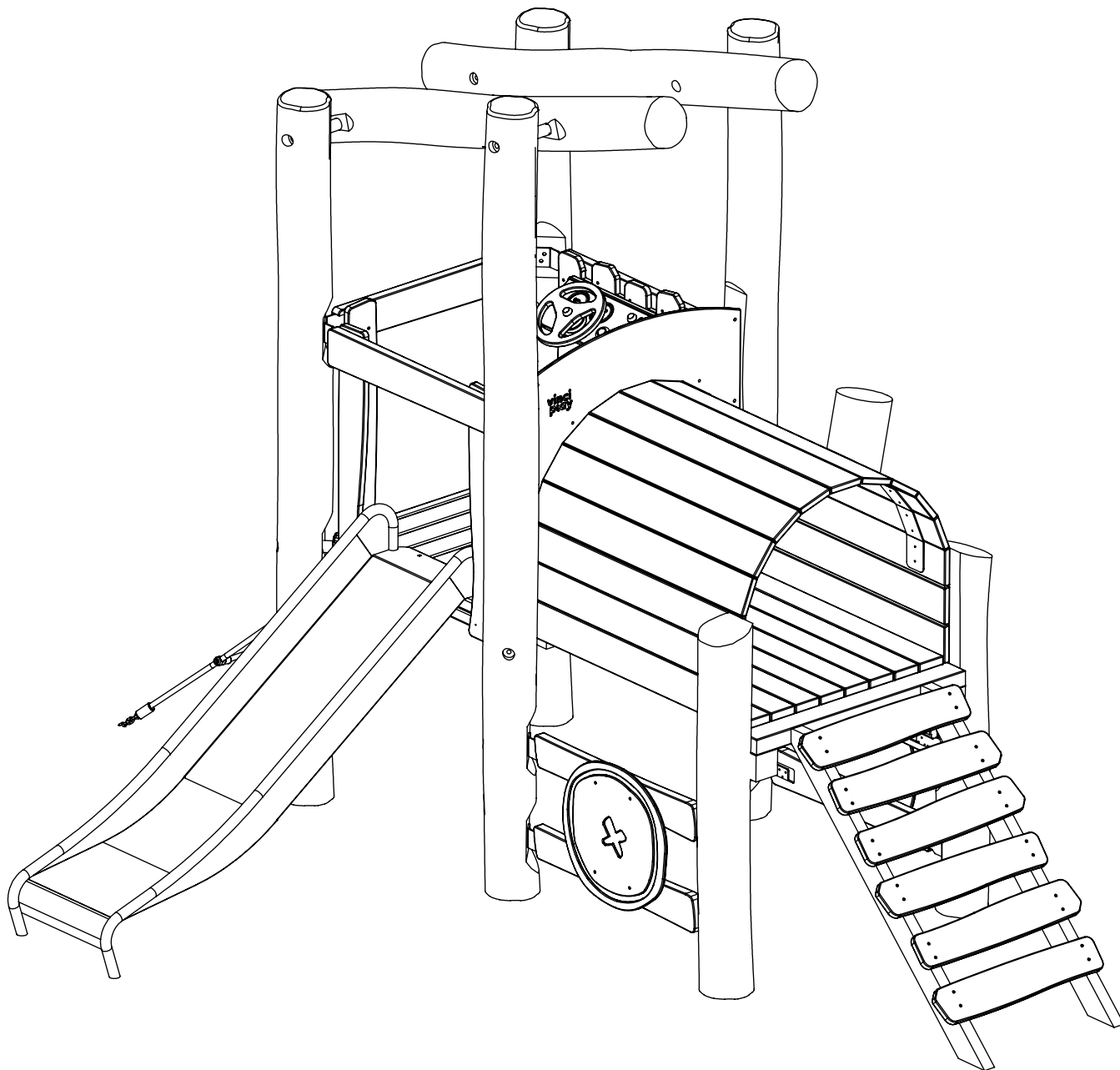
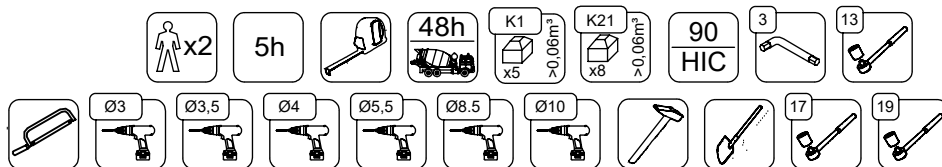


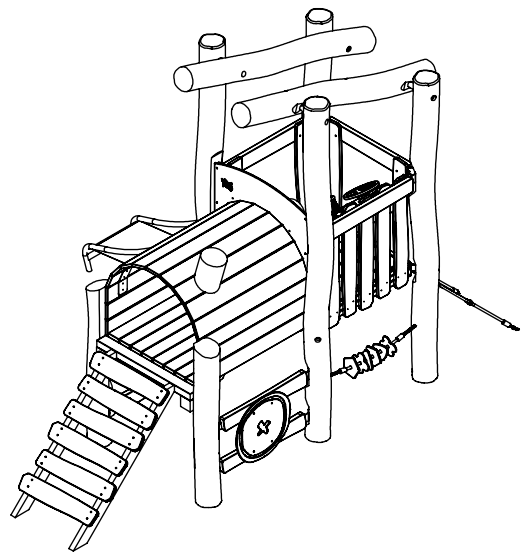
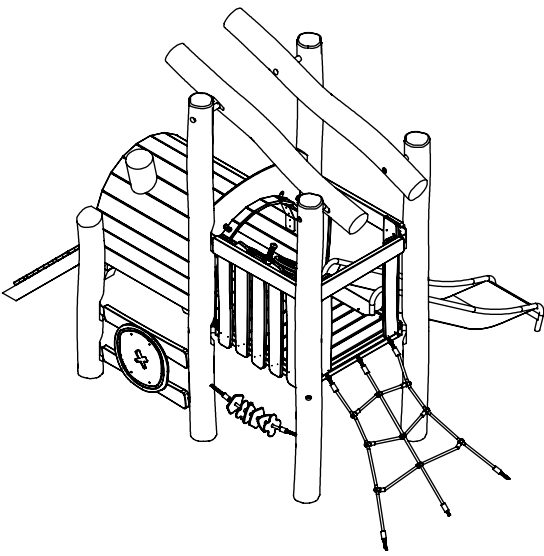
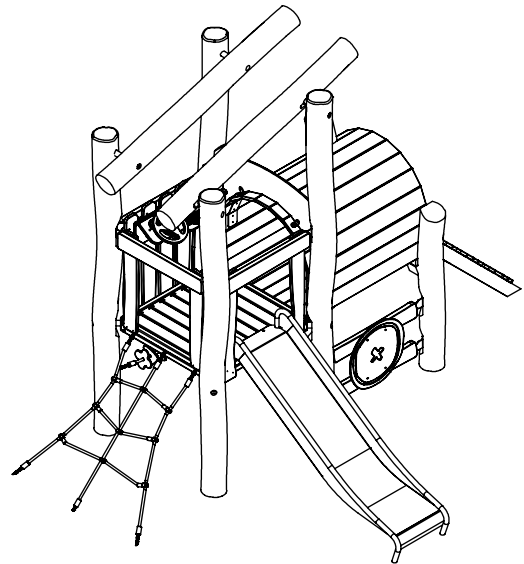
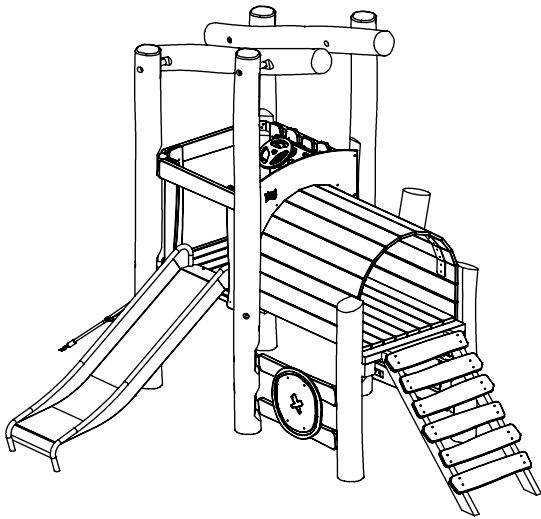
RB1242

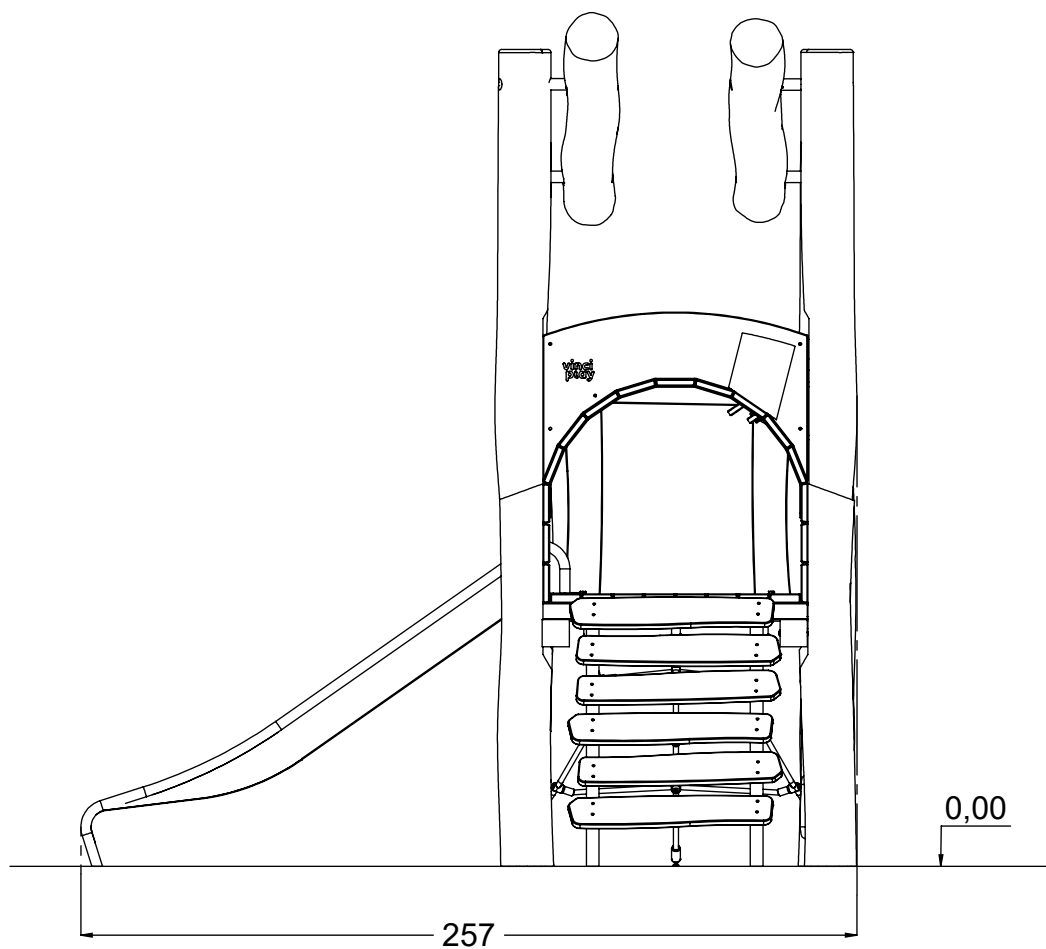
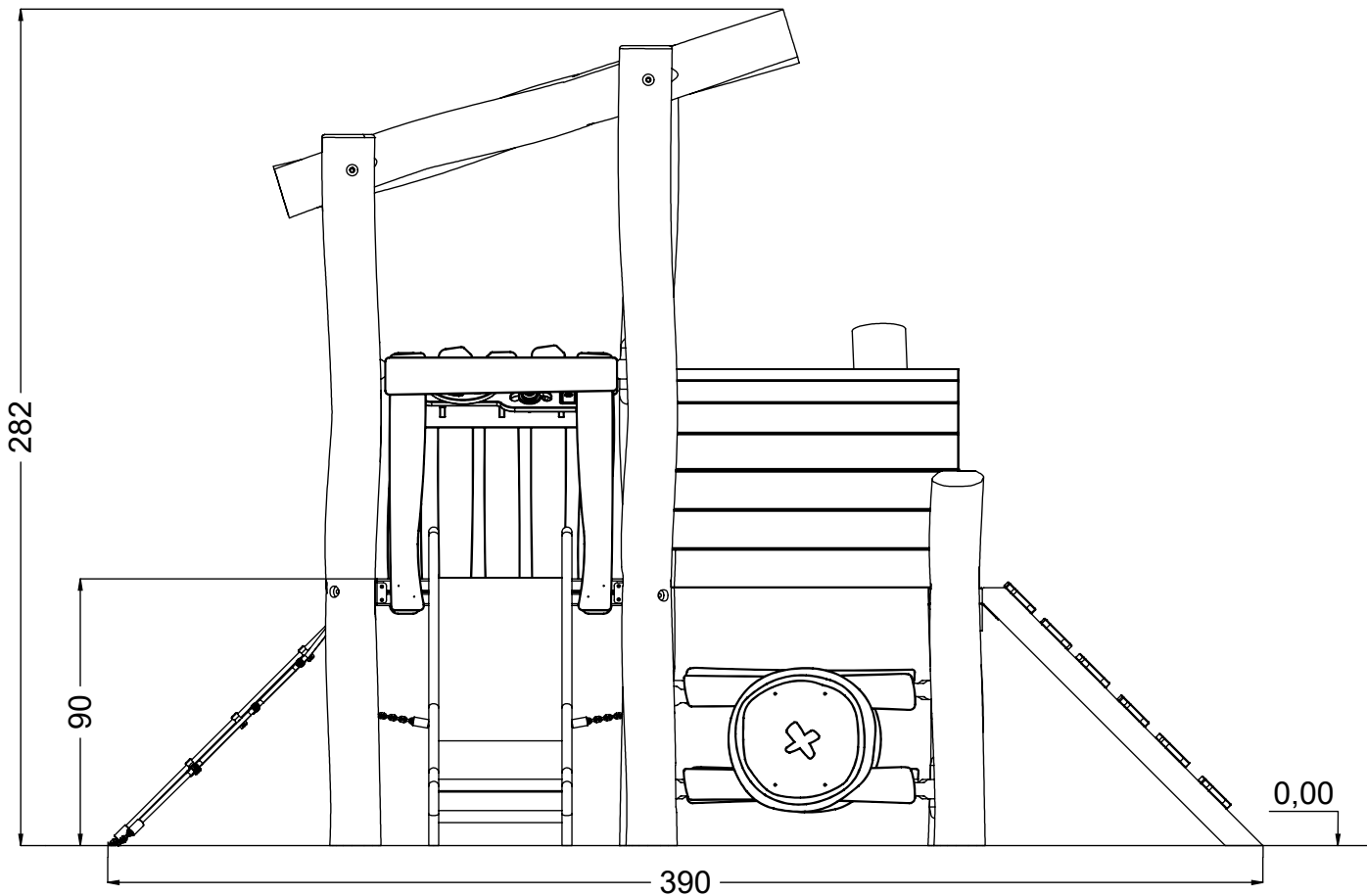


v012
18.05.2021
A. P.
[cm]



vinci
play

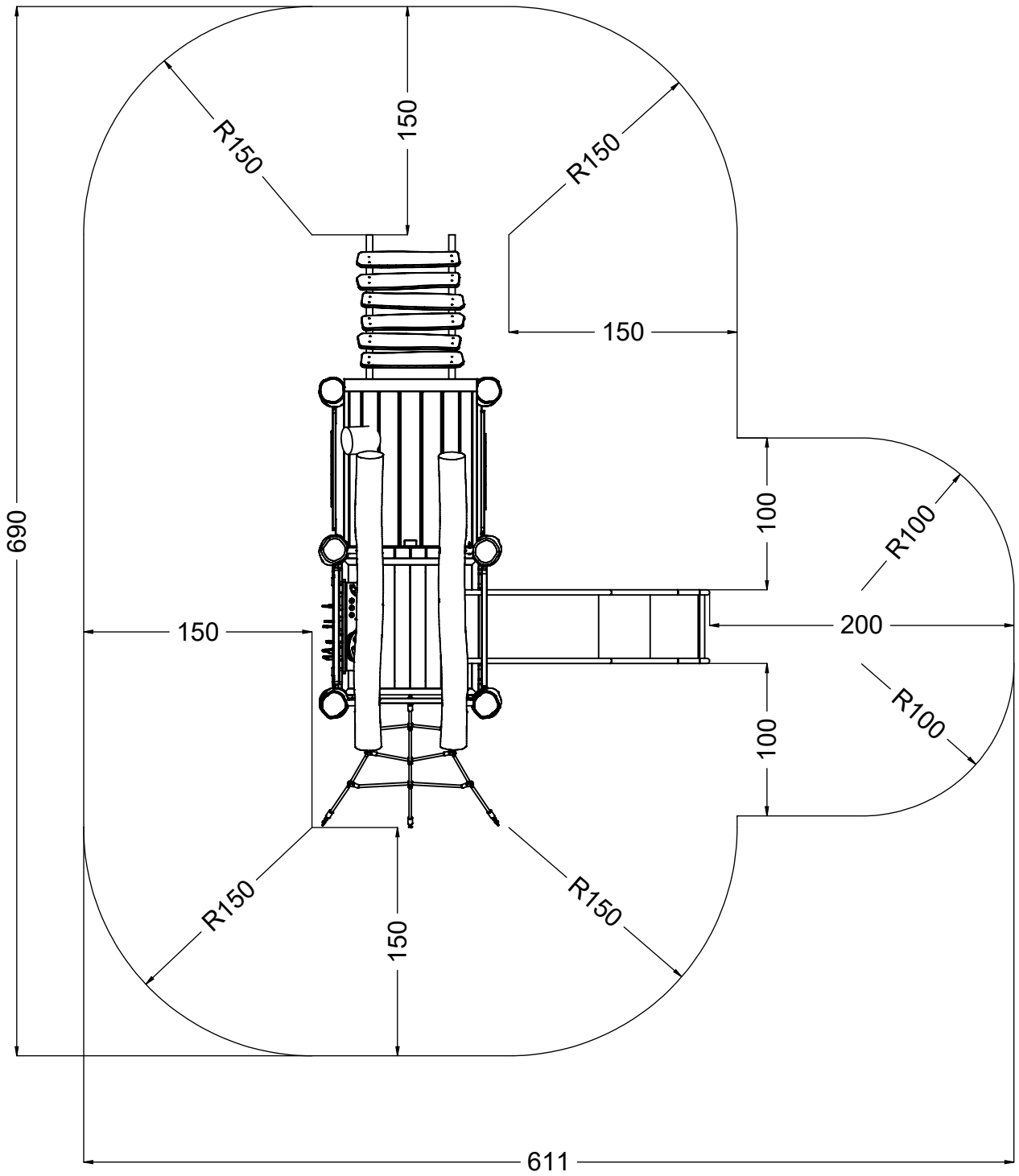




[cm]



vinci
play



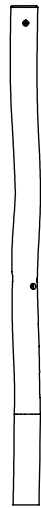
[cm]



vinci
play



127243 (A)
x1



127242 (B)
x1



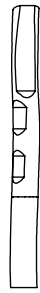
127239 (C)
x1



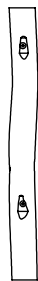
127240 (D)
x1



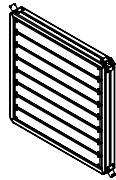
127241 (E)
x1



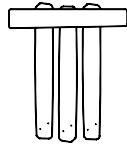
127244 (F)
x1



127440
x2



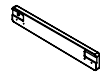
124100
x1



124104
x1



128181
x2



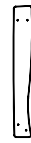
128107
x2



128113
x1



128179
x1



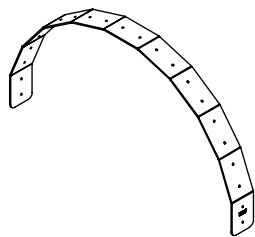
128103
x1



128178
x1



128222
x8



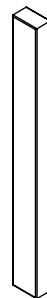
i295
x2



128226
x15



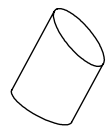
128219
x1



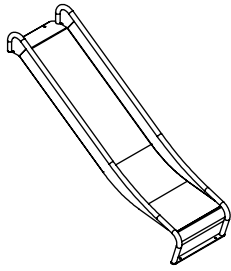
128220
x2



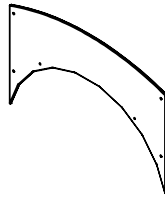
128221
x2



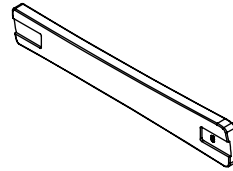
128172
x1



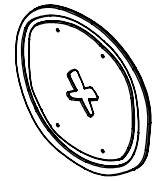
994172
x1



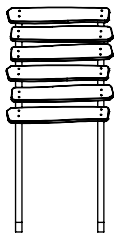
121138
x1



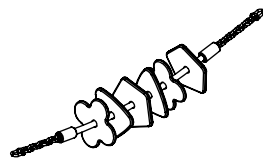
128168
x4



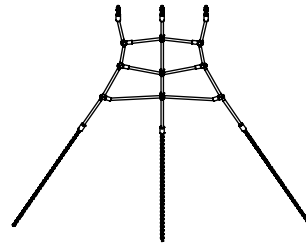
121112
x2



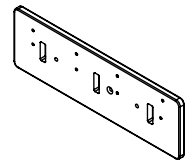
124109
x1



124112
x1

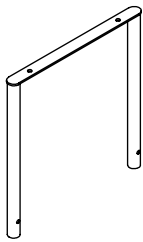


125100
x1

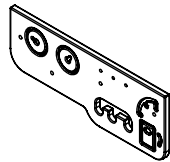


121144
x1

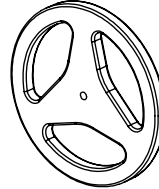
K1



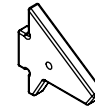
992161
x1



141176
x1



141173
x1



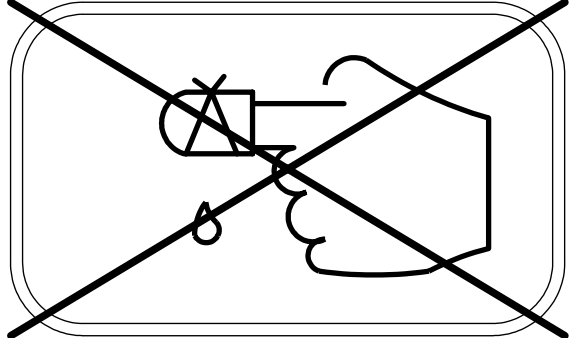
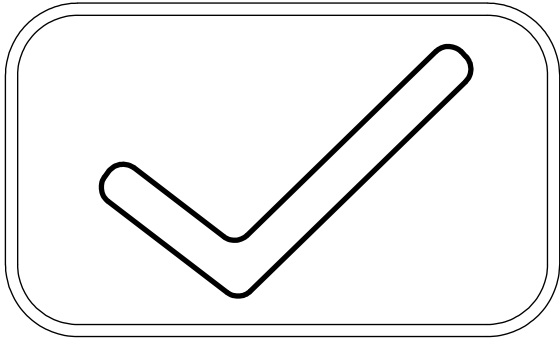
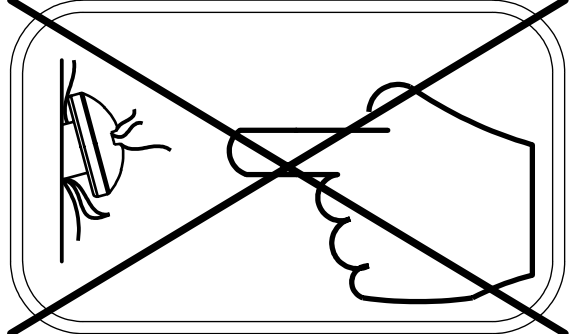
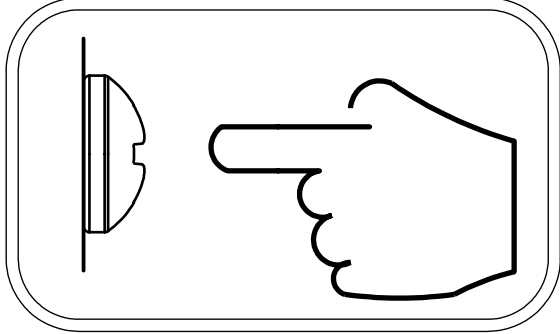
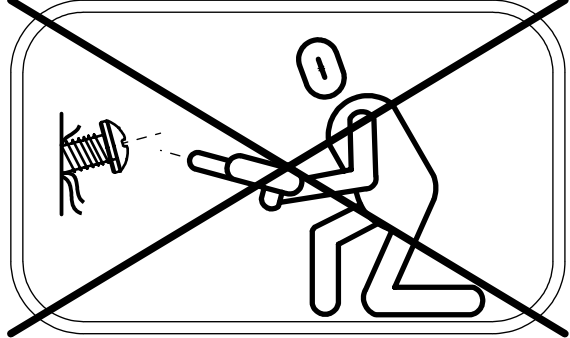
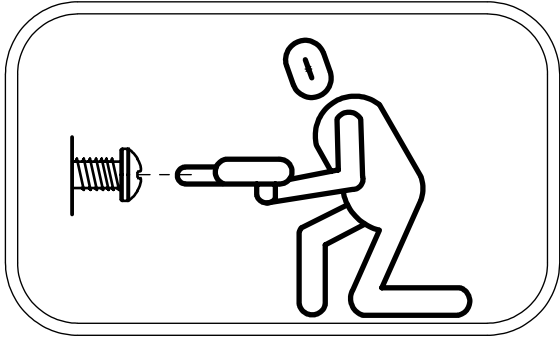
141174
x3

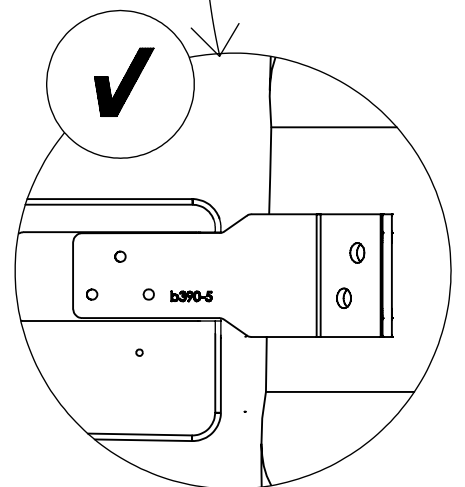
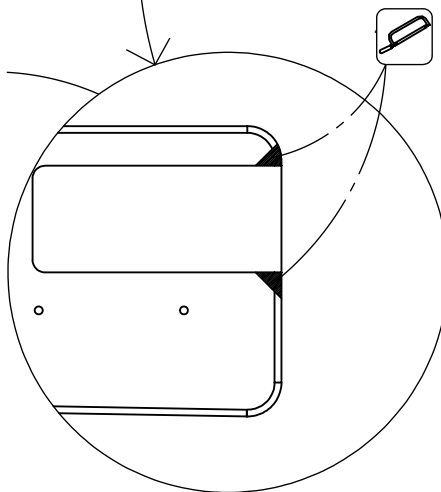
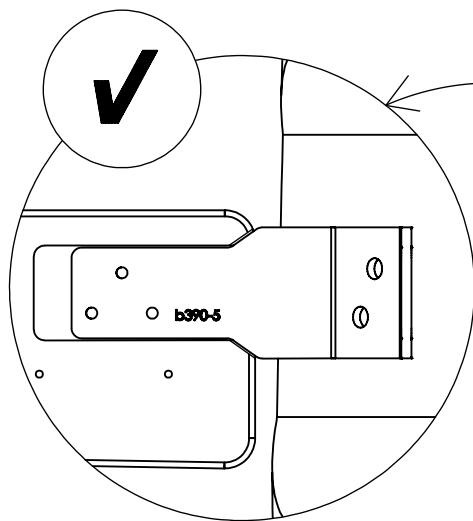
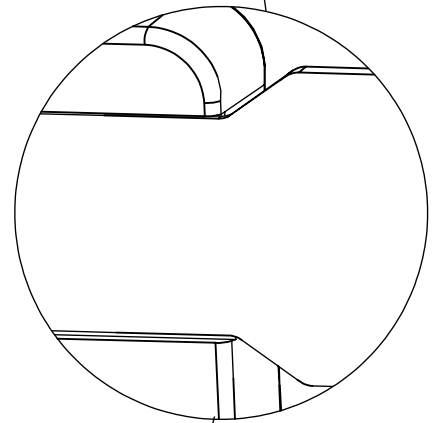
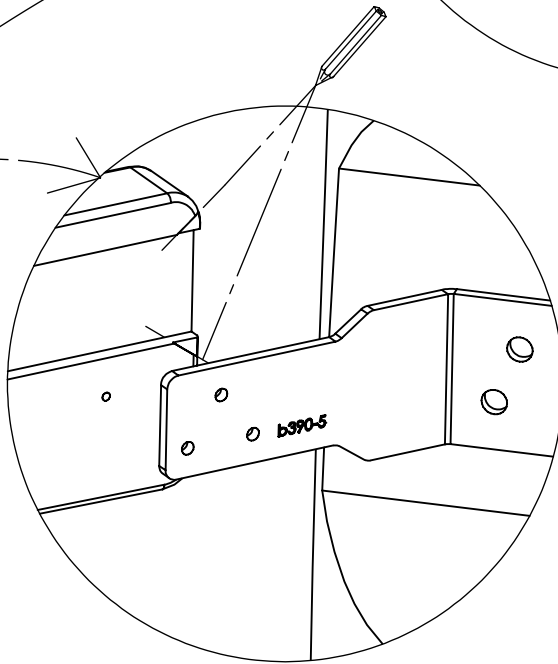
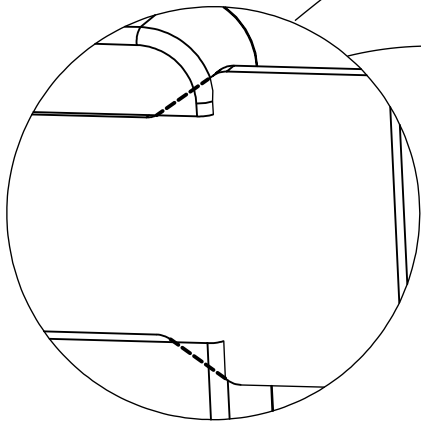
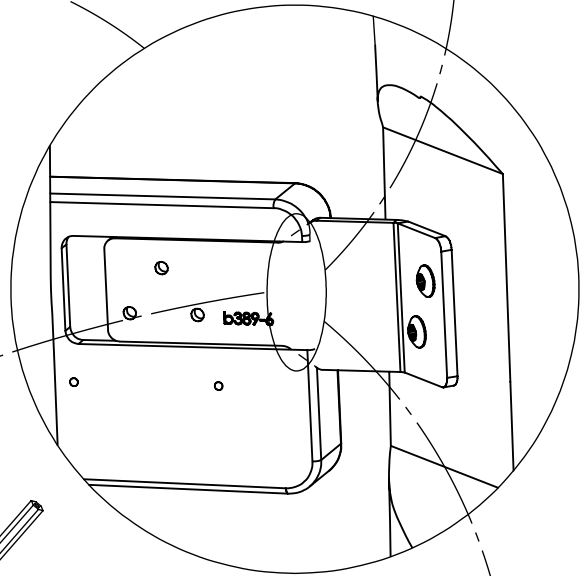
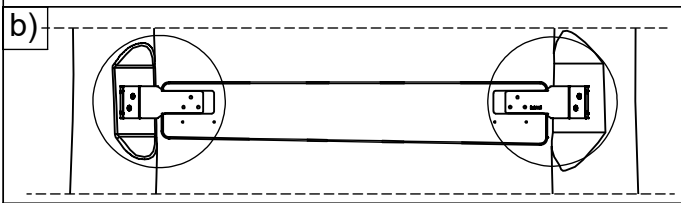
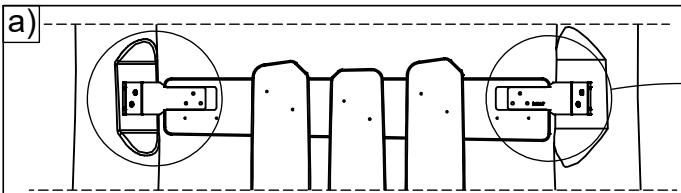
32x	8x50sxi
84x	5x50 sxs
50x	5x30 sxs
4x	7x35 sxi
8x	8x160 sxt
11x	5x80 sxs
44x	5x20sxp

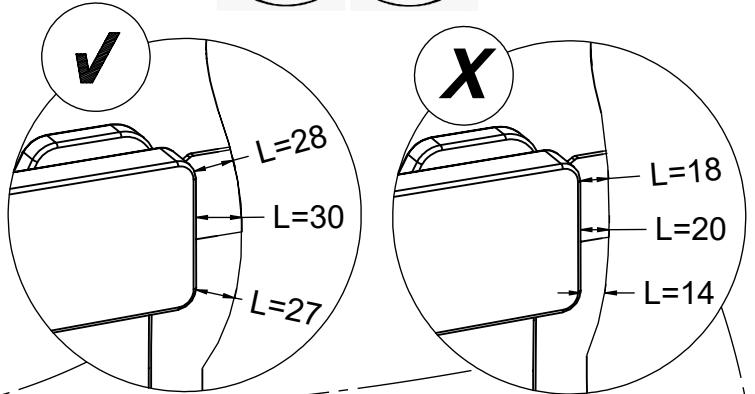
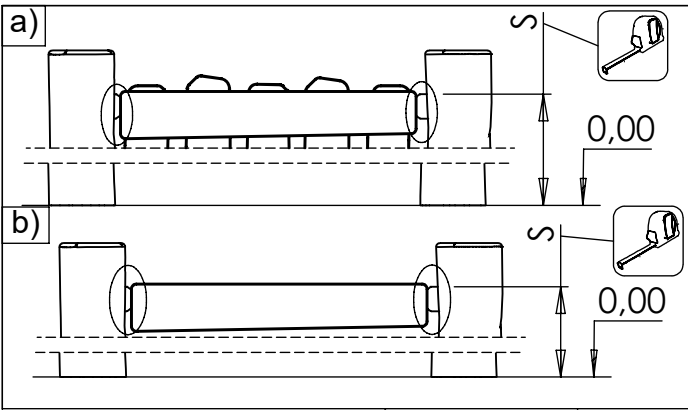
2x	12e022
1x	12e019
1x	12e030
1x	12e015
3x	12e052
1x	12e007
1x	12e074
1x	12e004
1x	12e073
1x	12e075
1x	12e079
1x	12e080
1x	12e101
1x	12e102
1x	12e103
2x	b390
10x	b389
2x	b392
1x	GL
1x	V001

[cm]

vinci
play



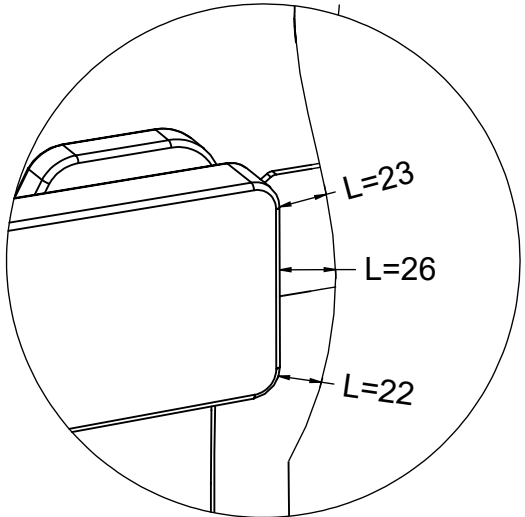




S < 97

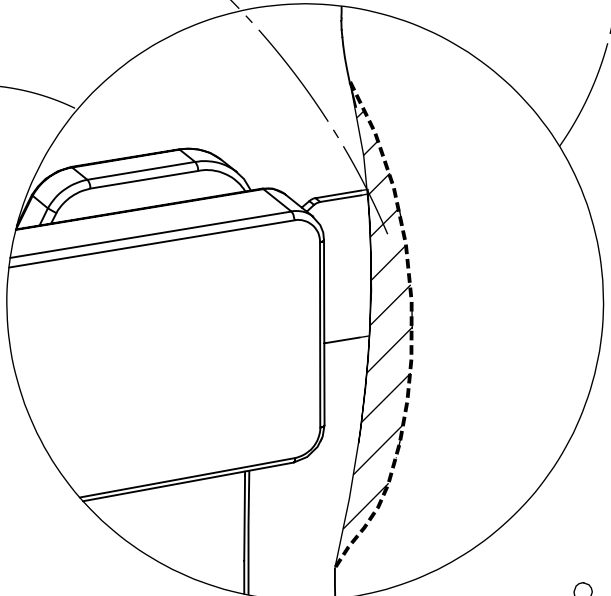
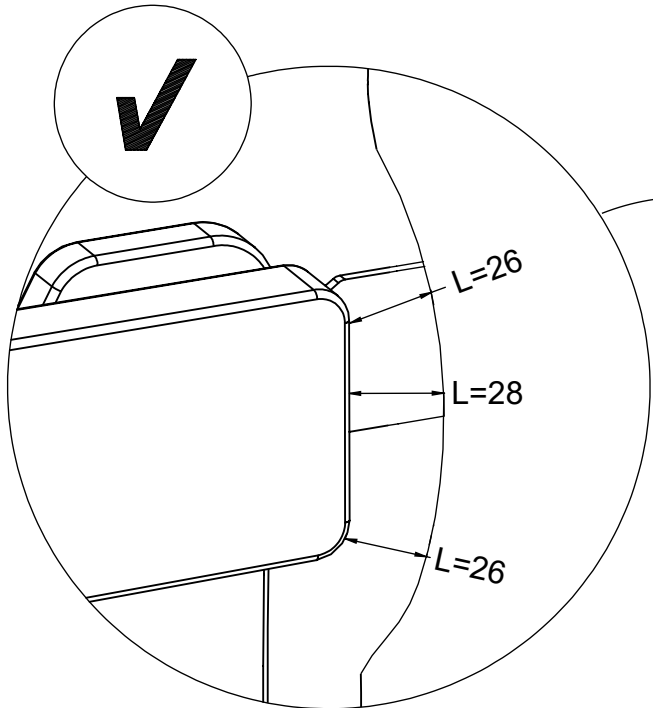
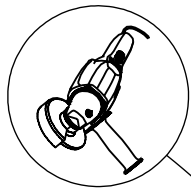
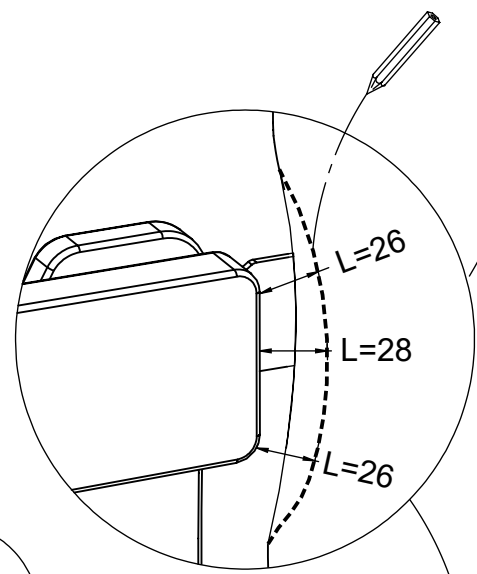
S > 97

L > 25mm **✓** L < 30mm **X**



L > 25mm **✓**

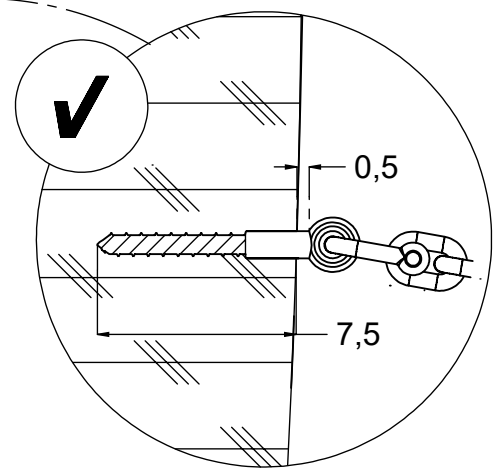
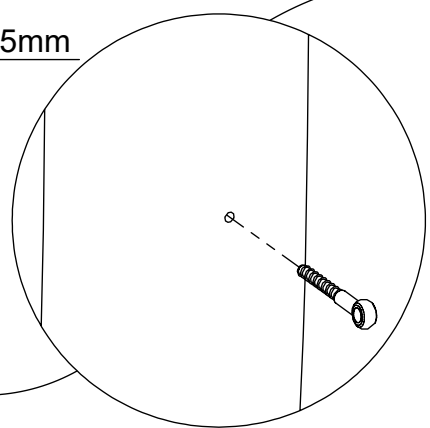
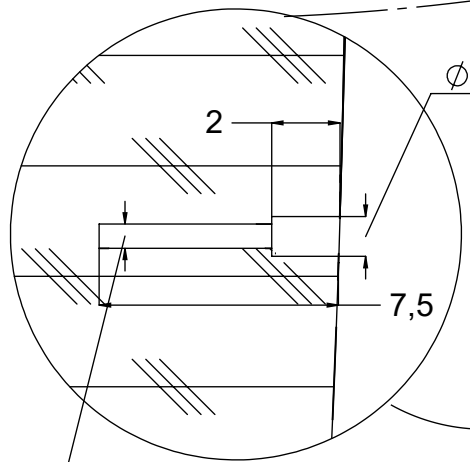
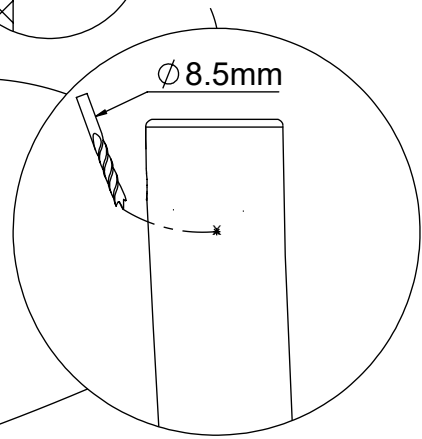
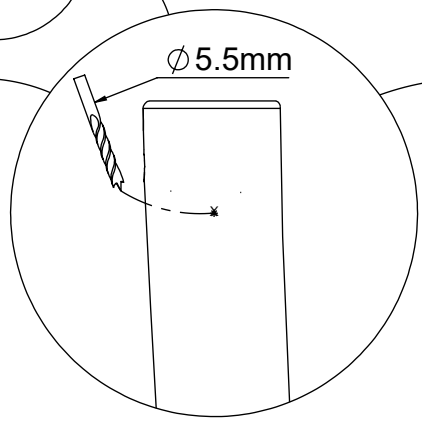
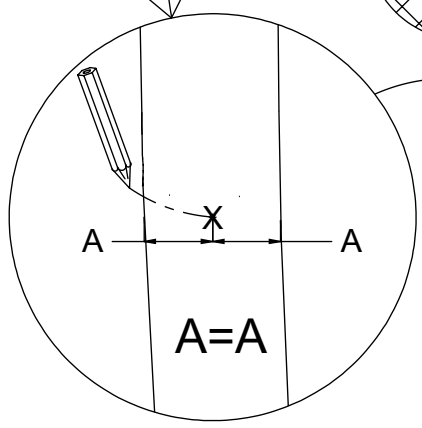
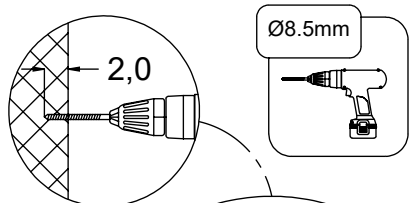
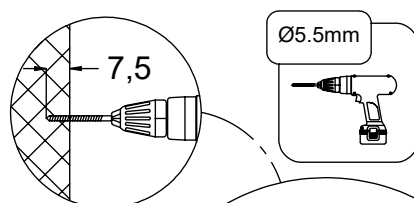
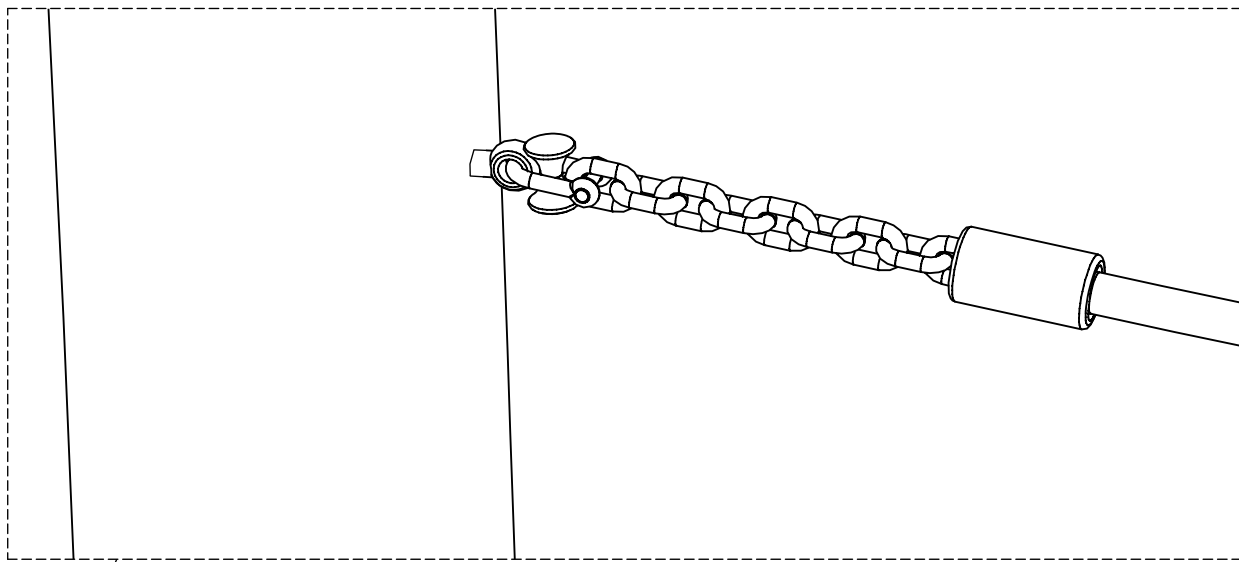
L ≤ 25mm **✓**



L > 30mm **✓** 

[cm]

vinci play



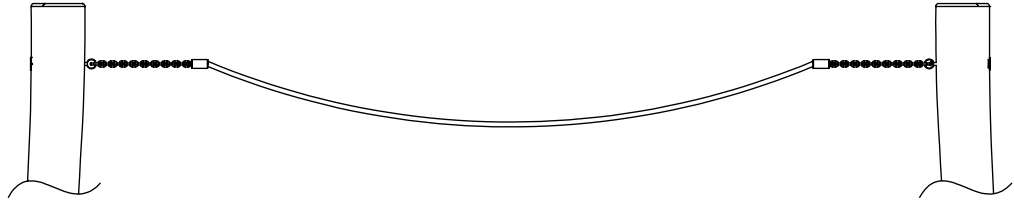
[cm]

vinci
play

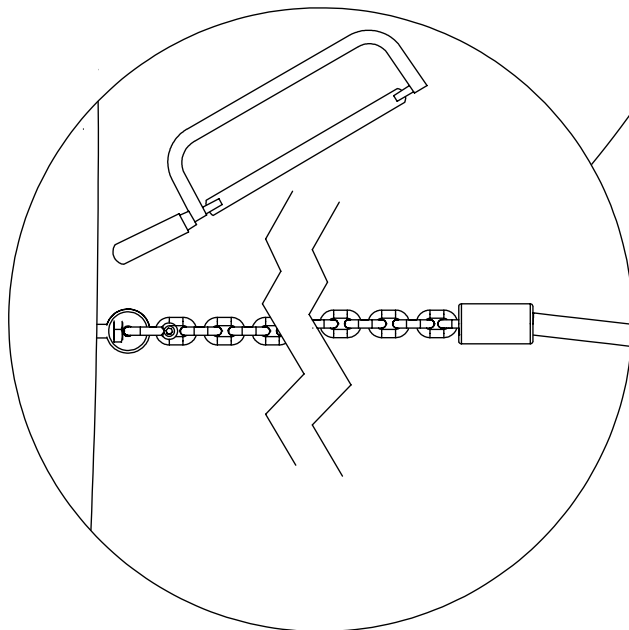
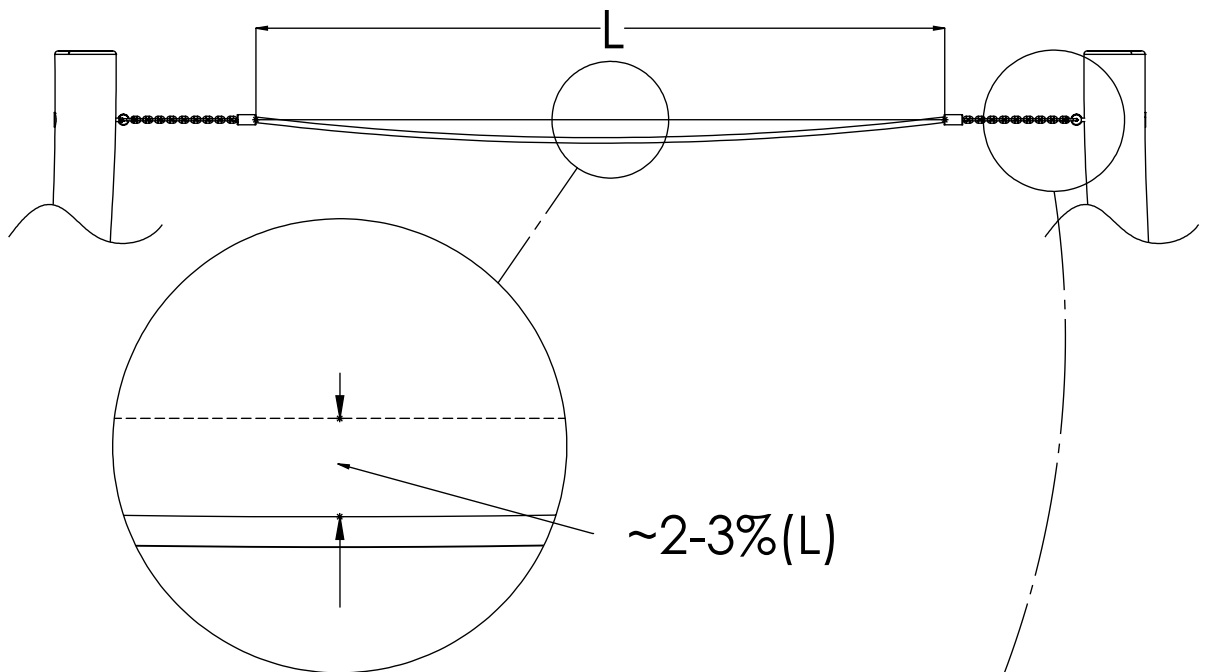
X



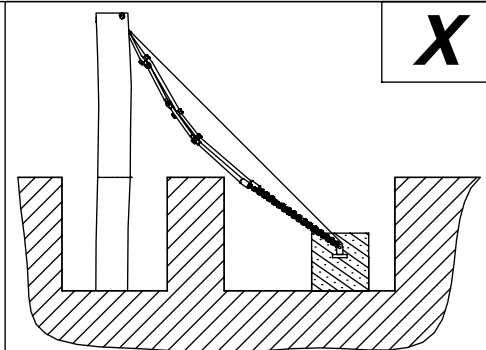
X



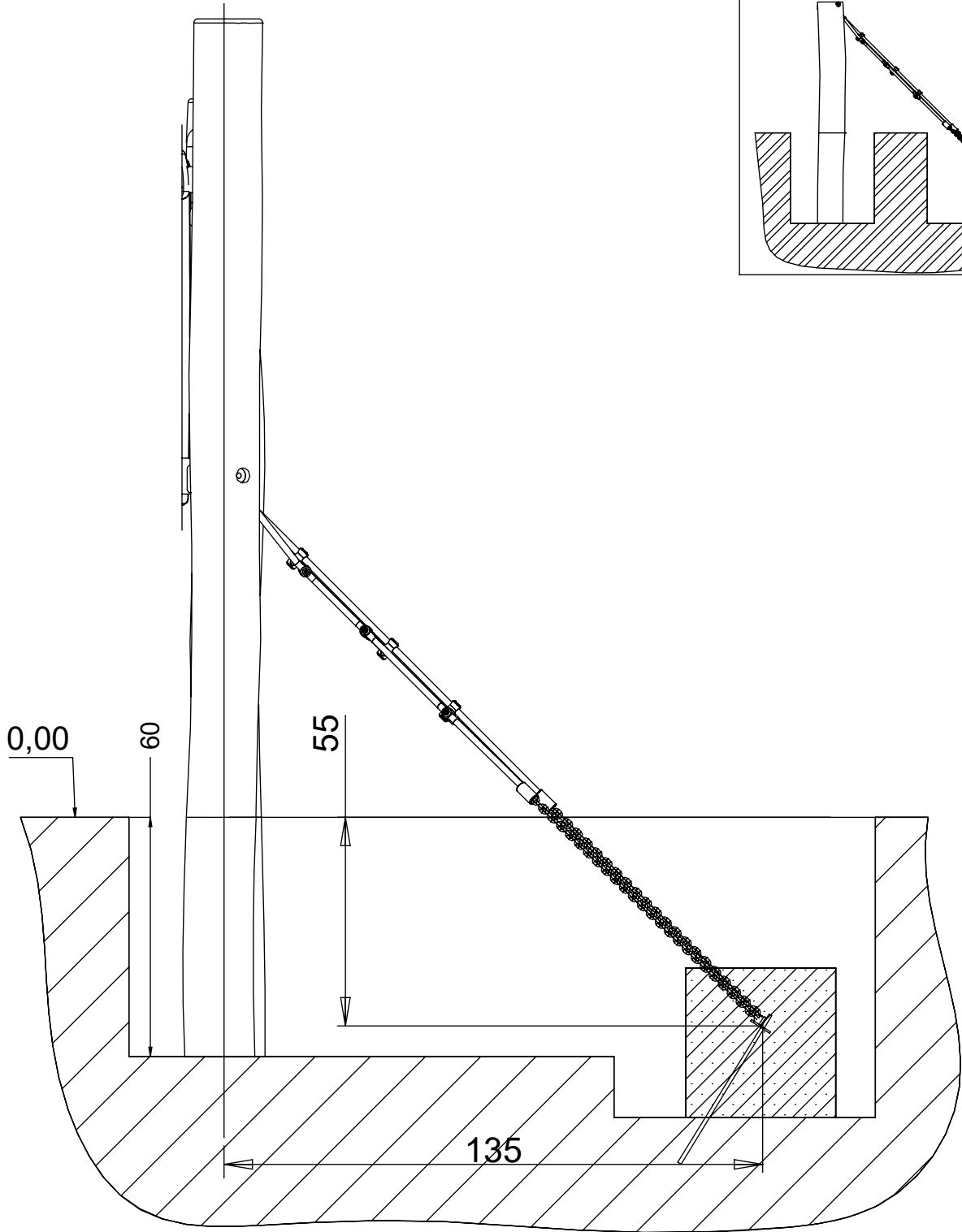
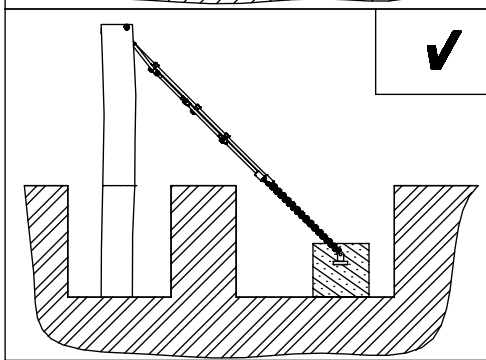
V



X



✓



[cm]



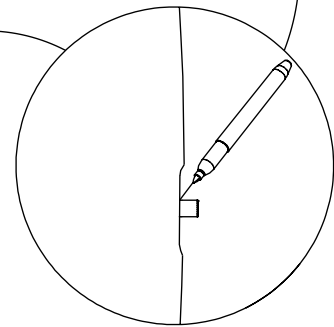
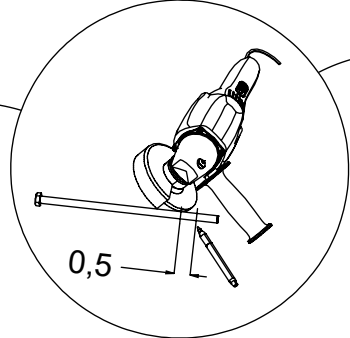
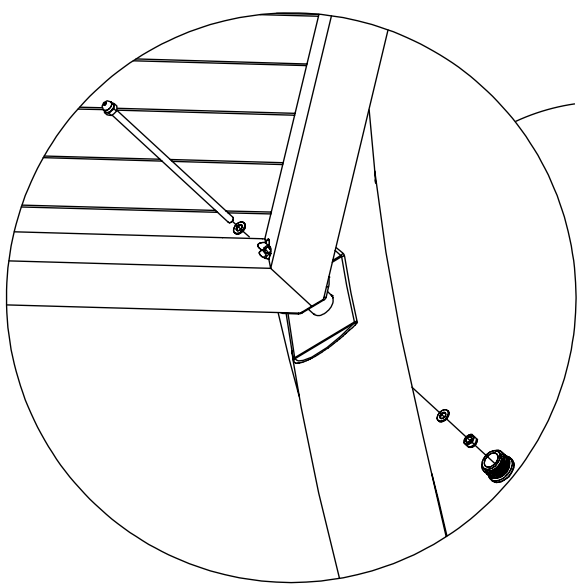
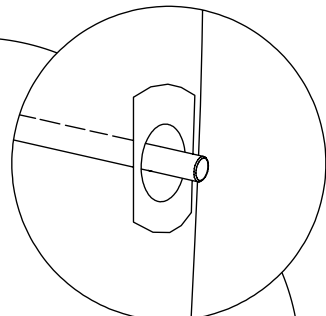
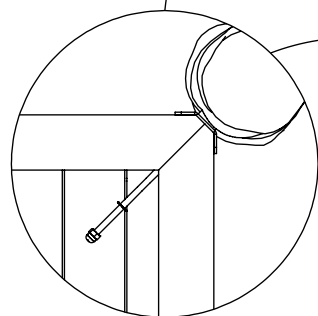
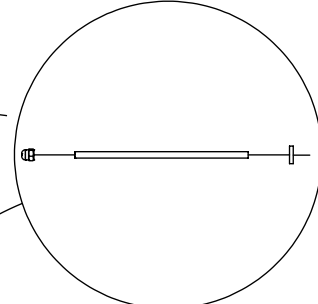
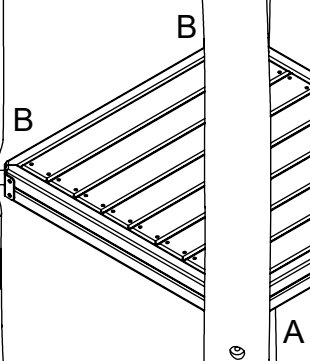
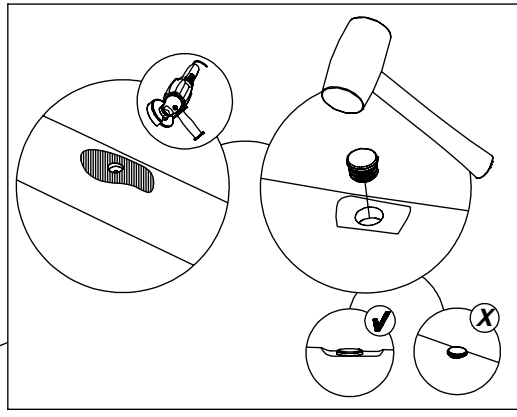
vinci
play

127240

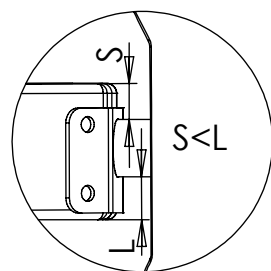
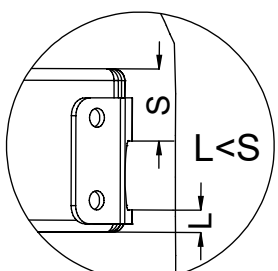
127241

127239

127242



1x 12e004

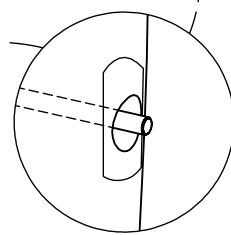
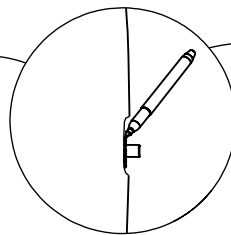
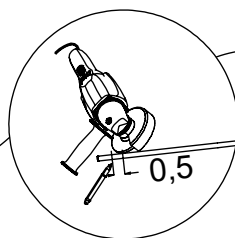
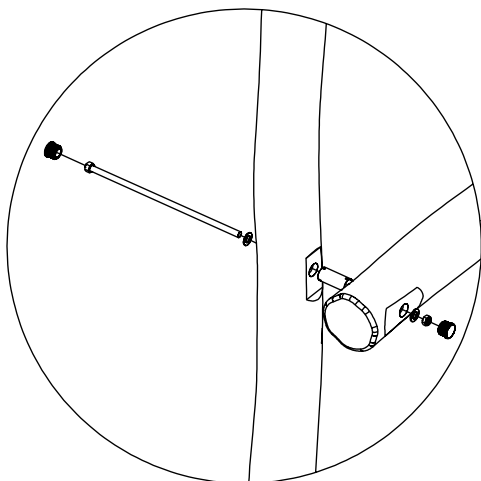
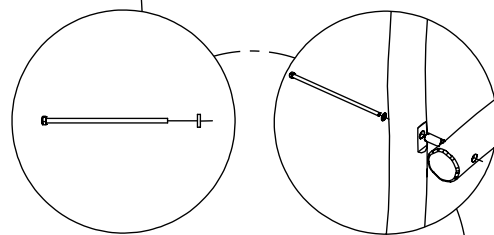
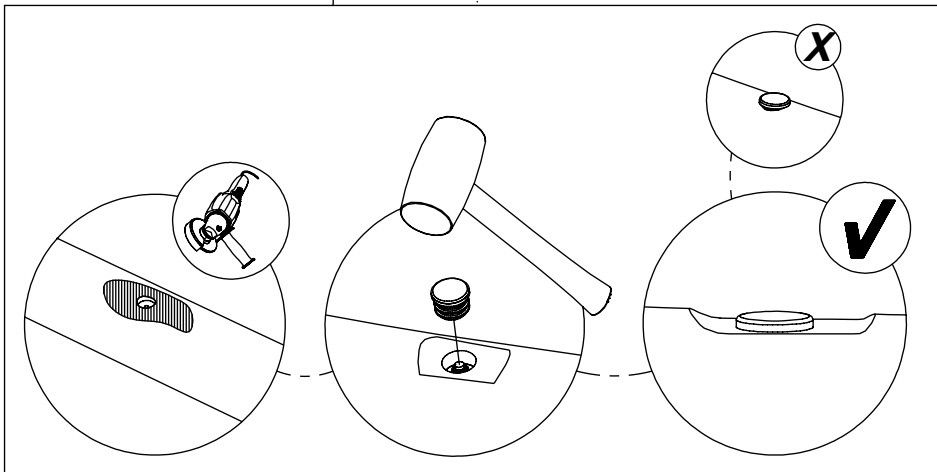
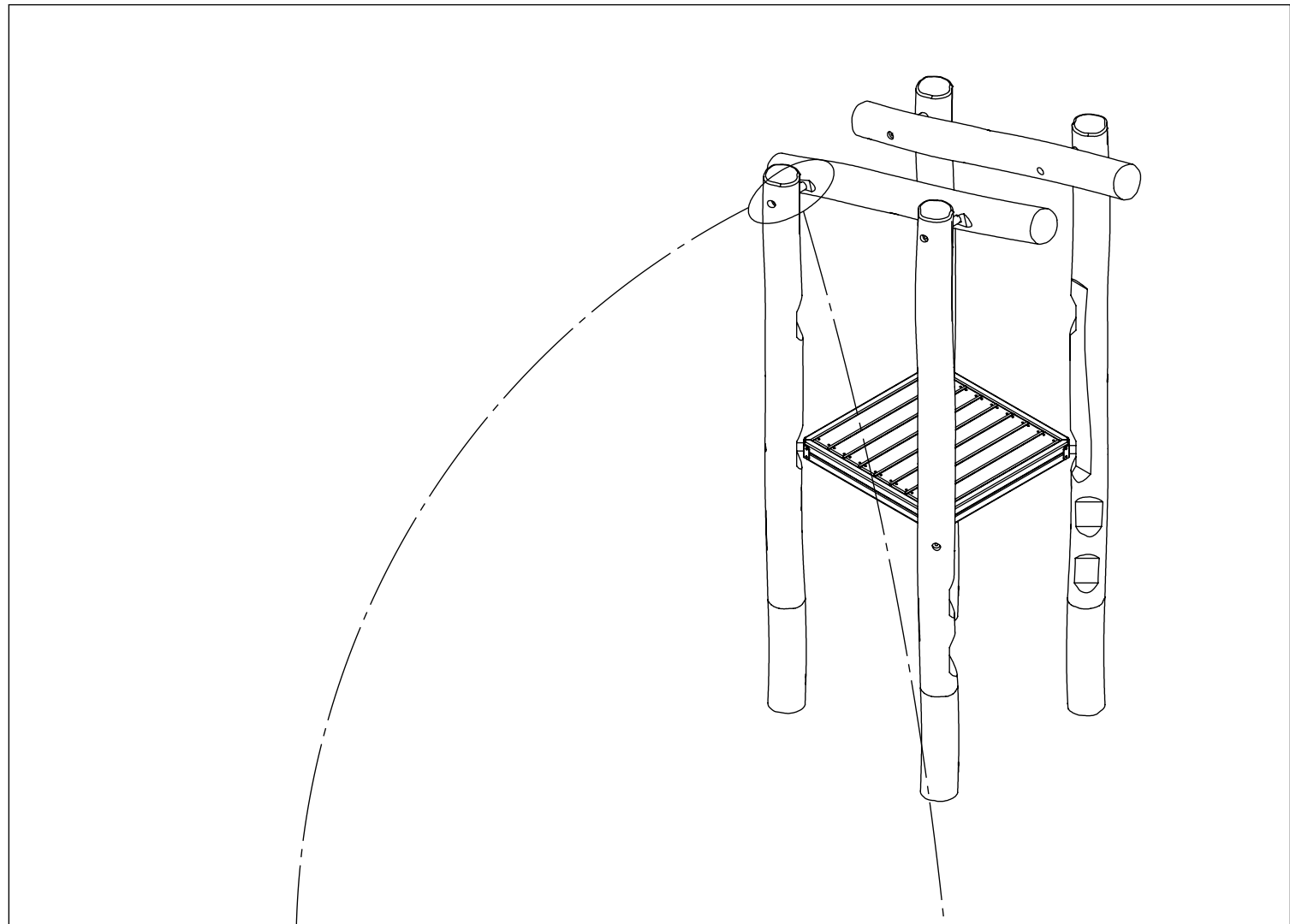


A

B

[cm]

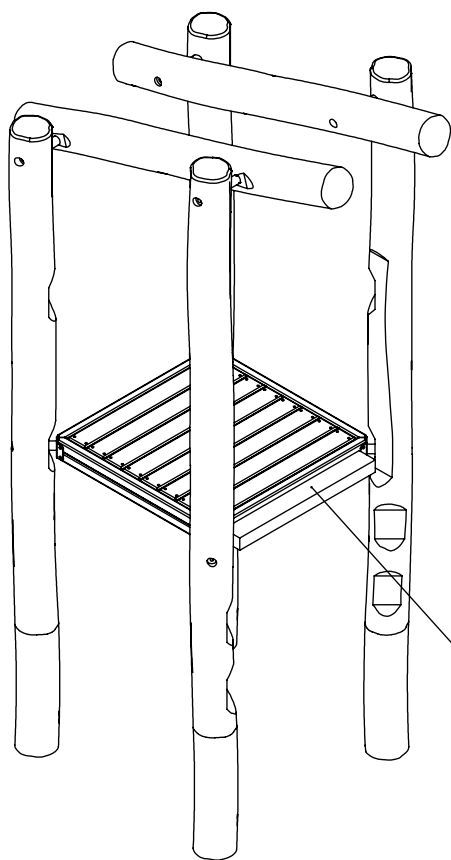
vinci play



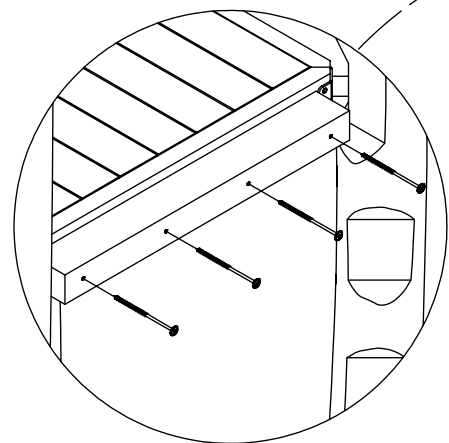
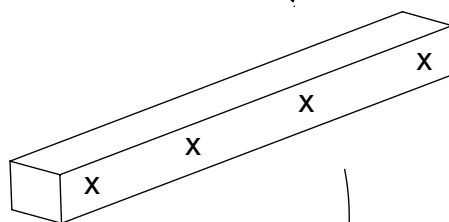
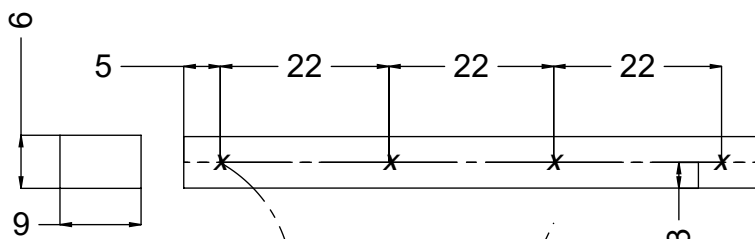
2x 12e022

[cm]

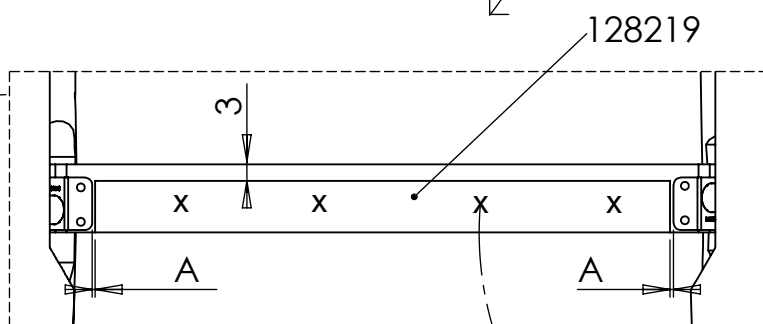
vinci
play



128219

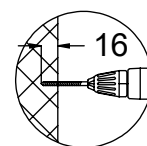


4x 8x160sxt



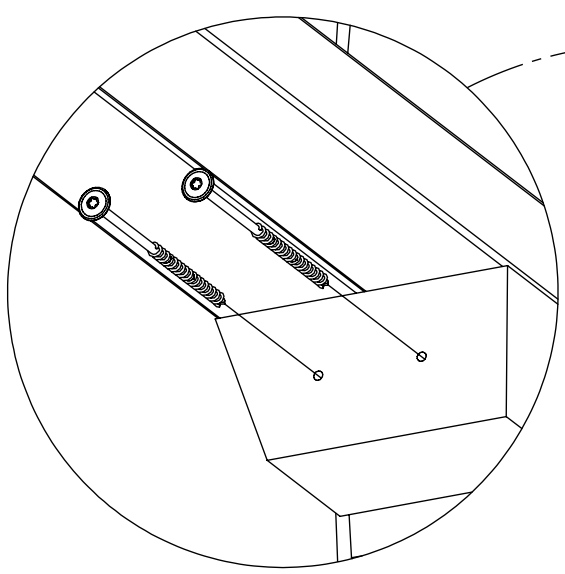
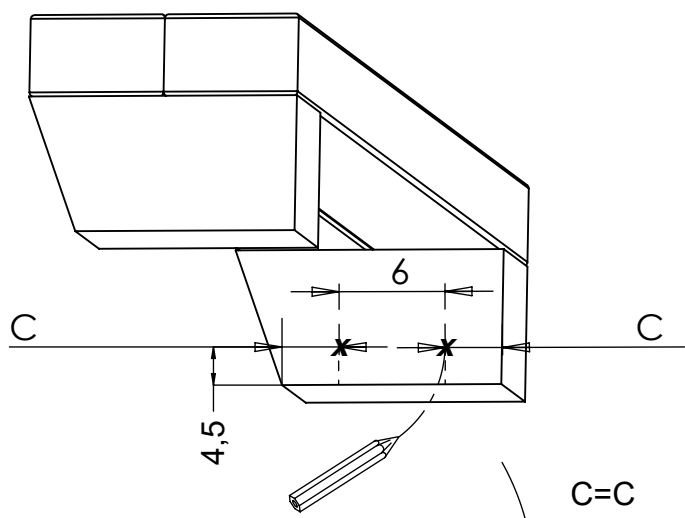
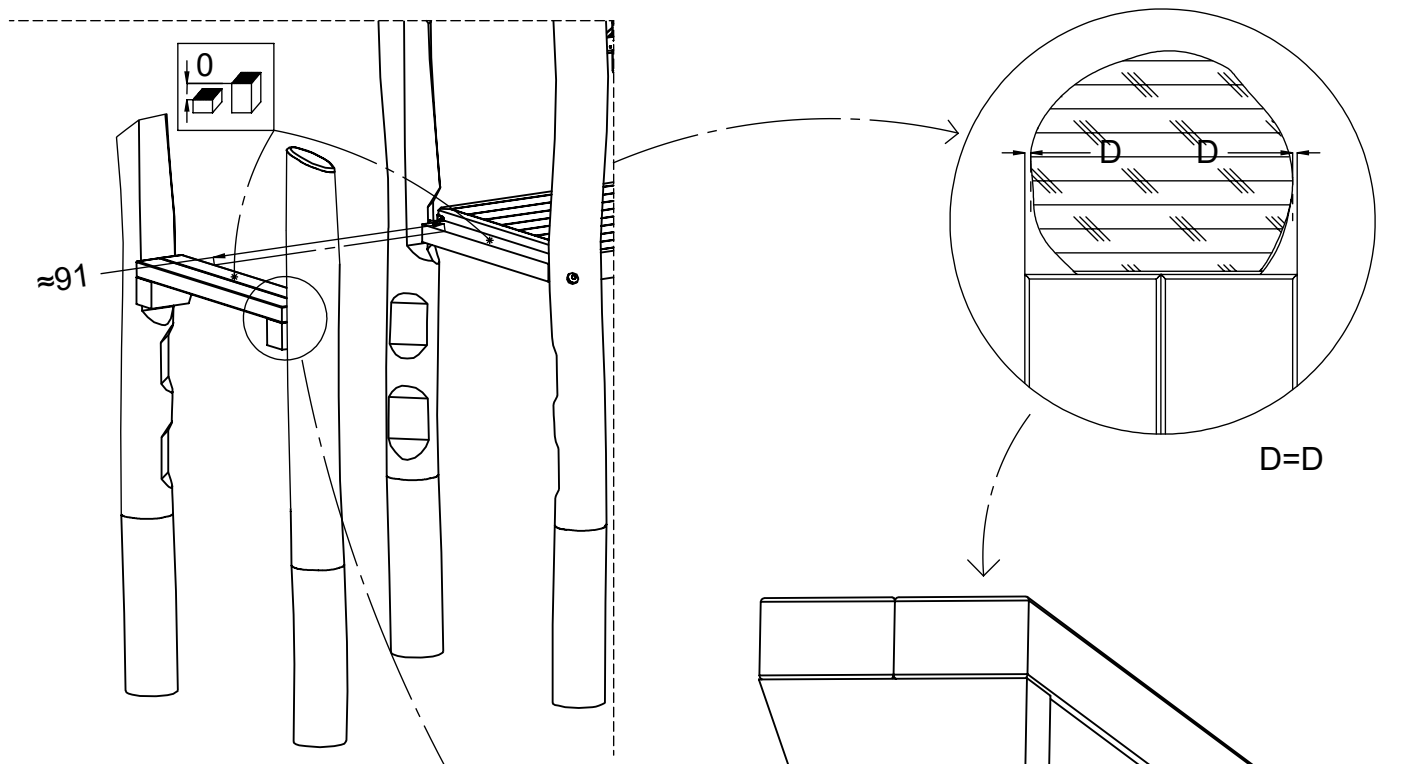
A=A

Ø 5,5mm

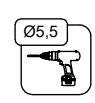


[cm]

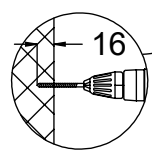
vinci
play

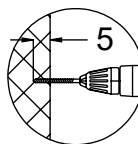
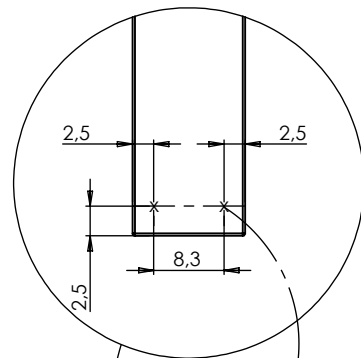
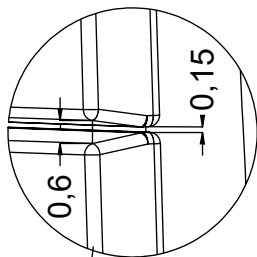
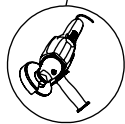
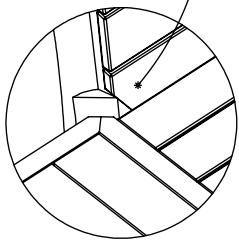
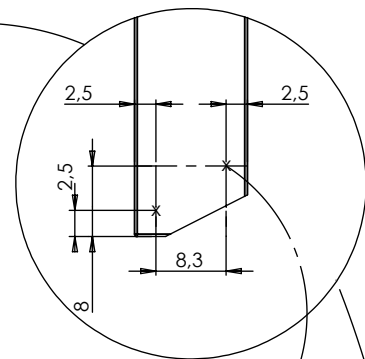
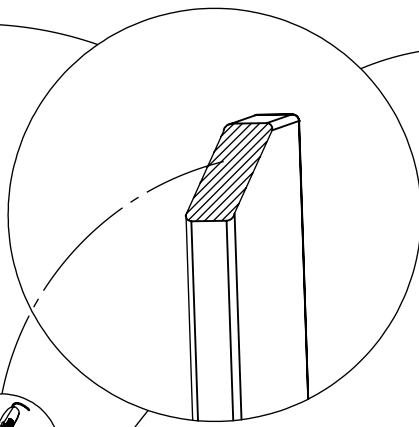
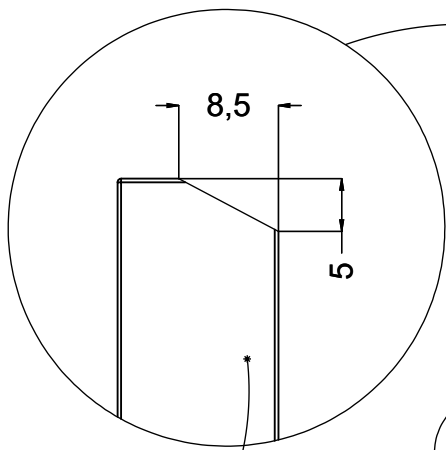


4x 8x160sxt

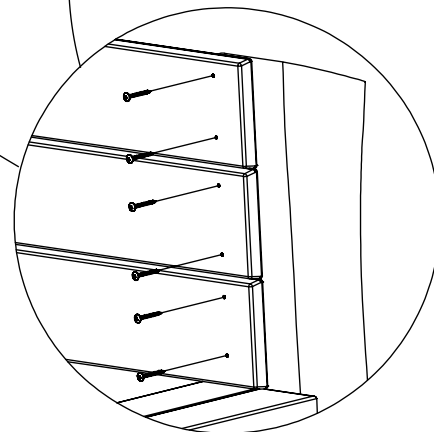
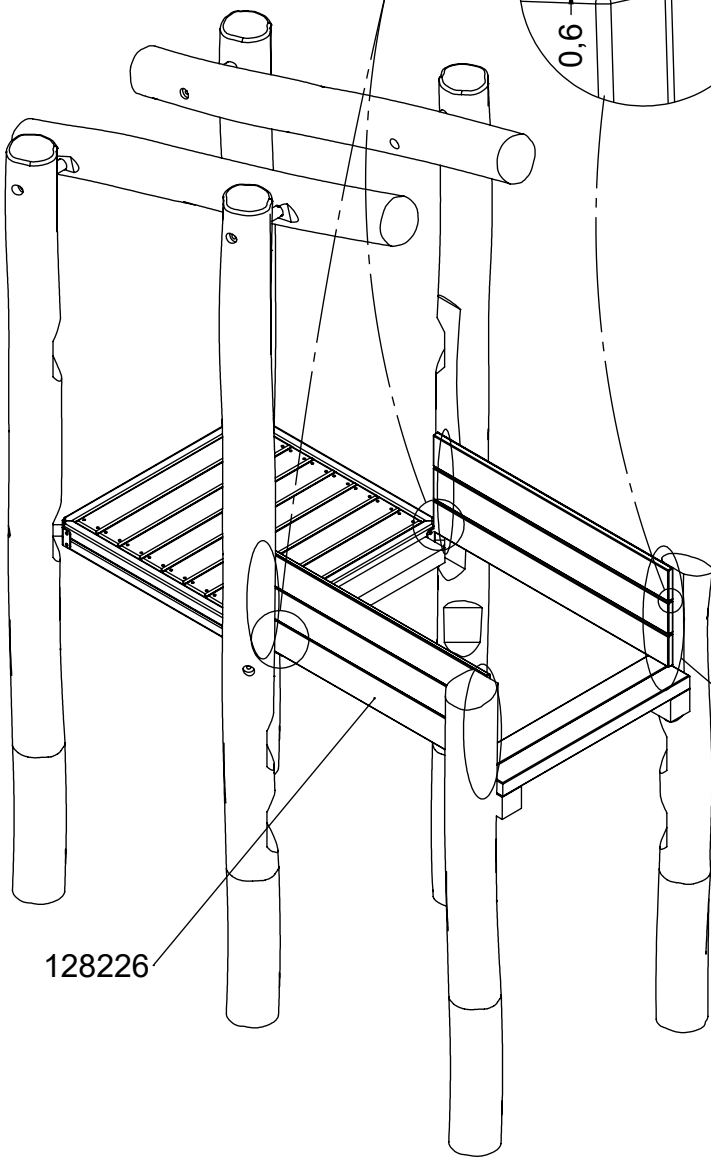
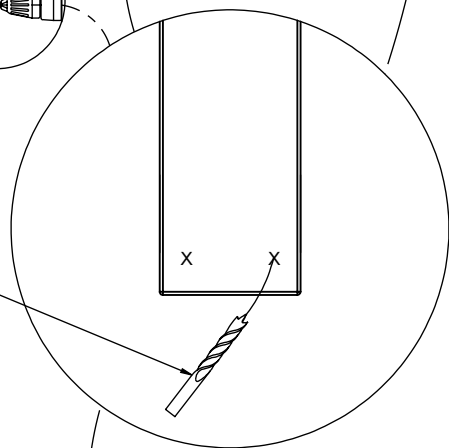


Ø 5,5mm



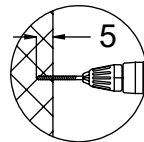
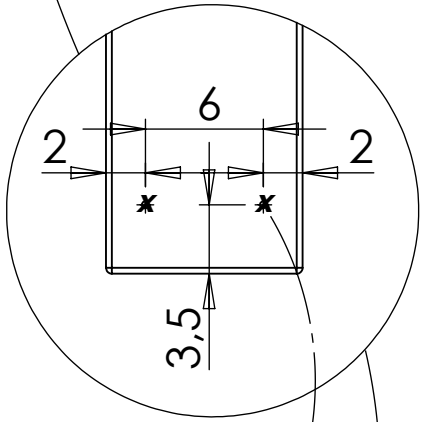
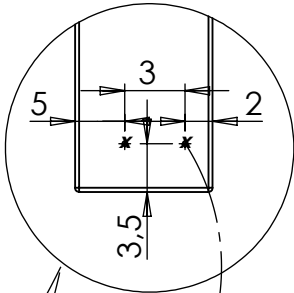
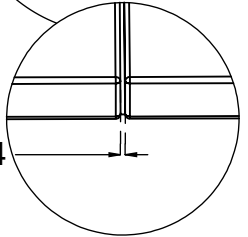
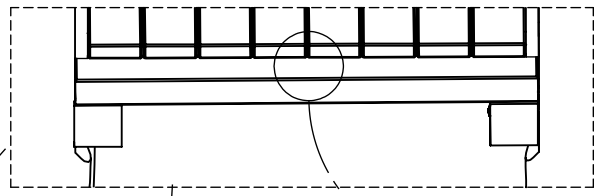
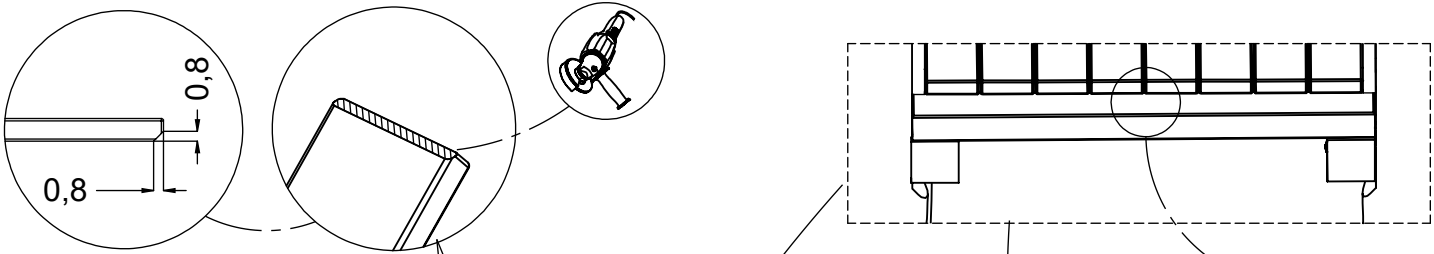


Ø 3,5mm

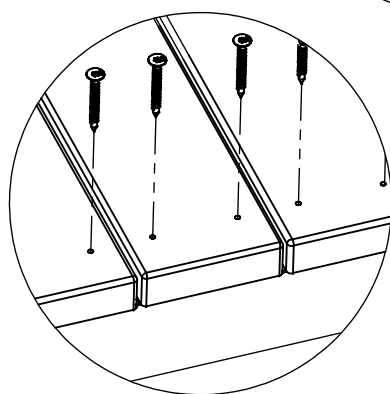
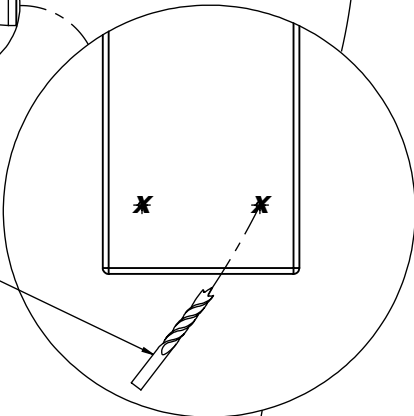


[cm]

vinci
play



Ø 3,5mm

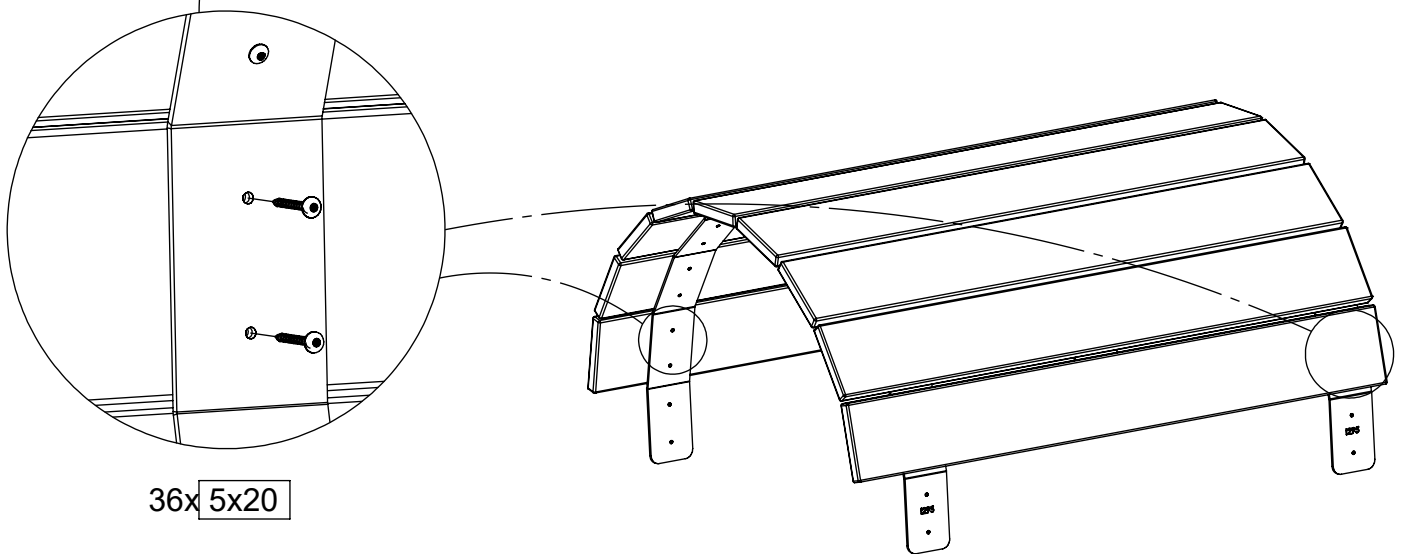
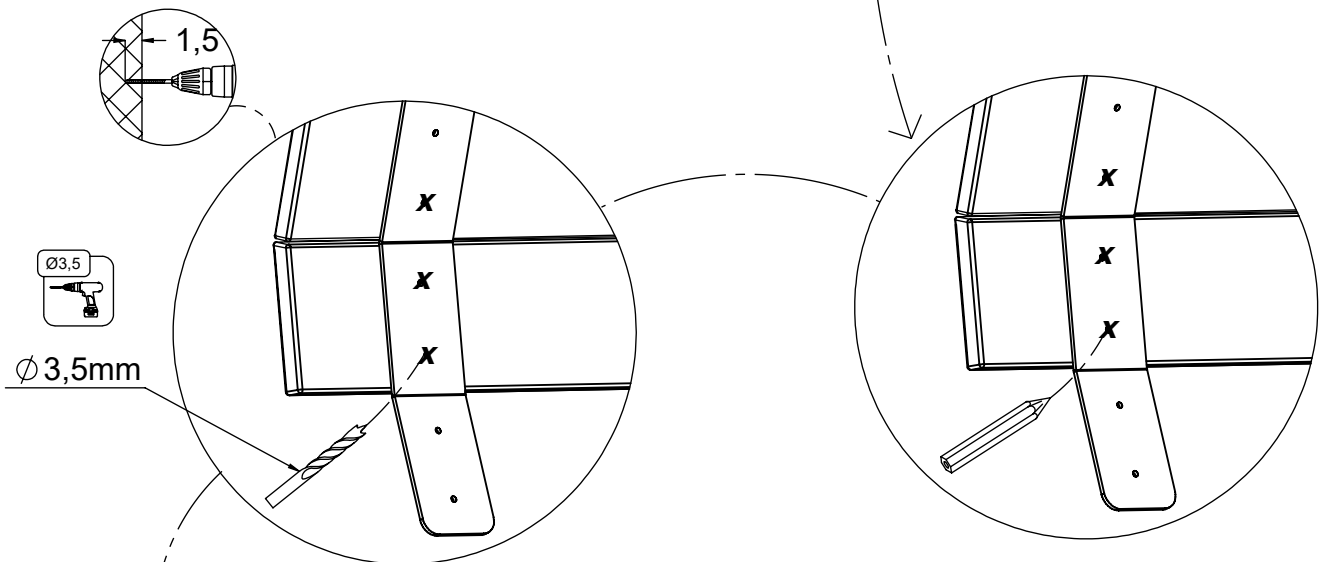
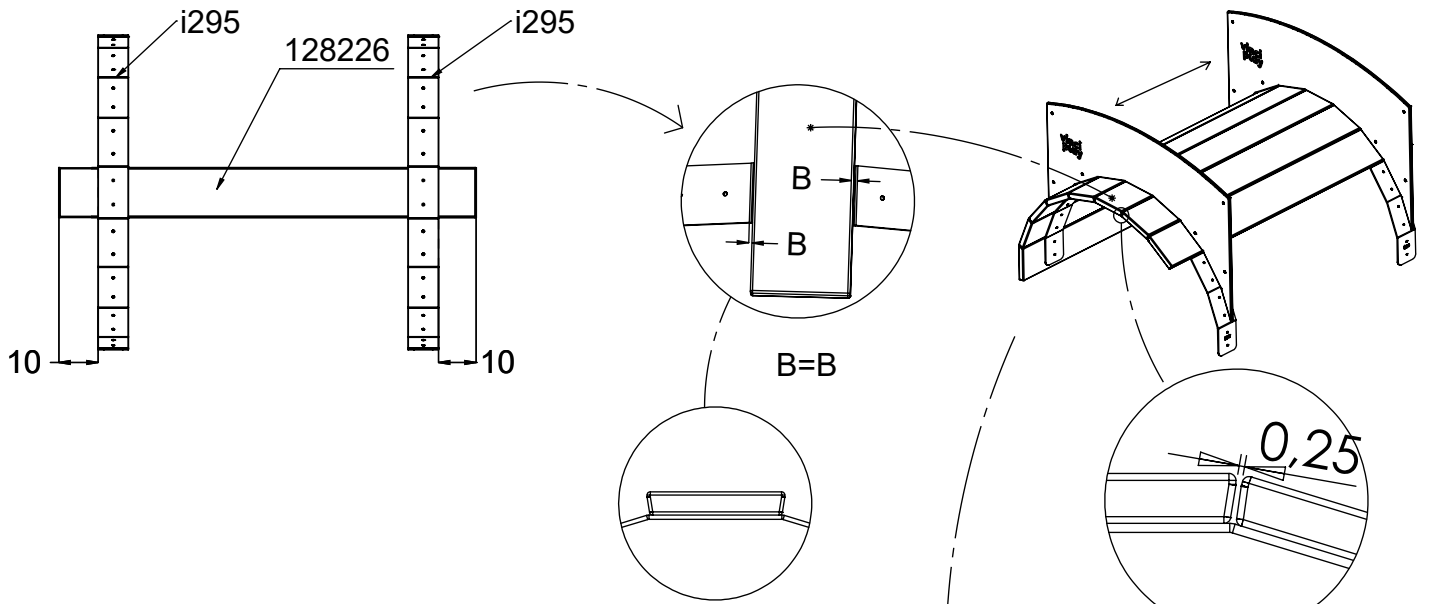


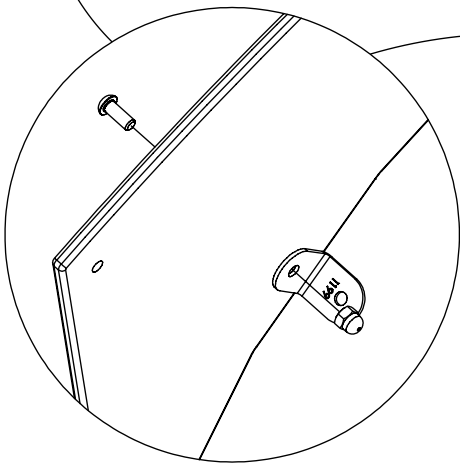
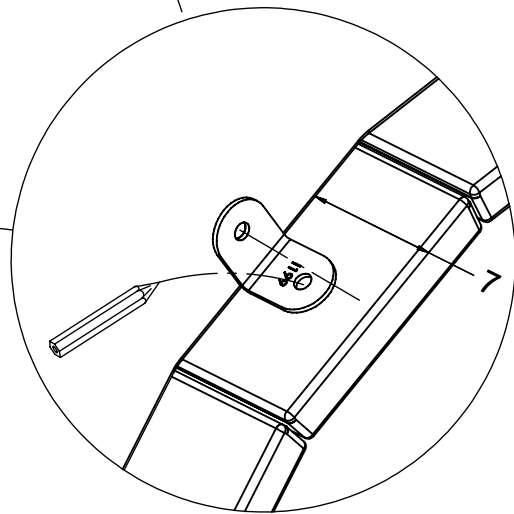
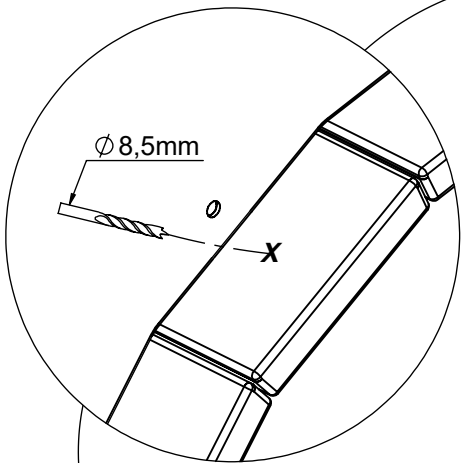
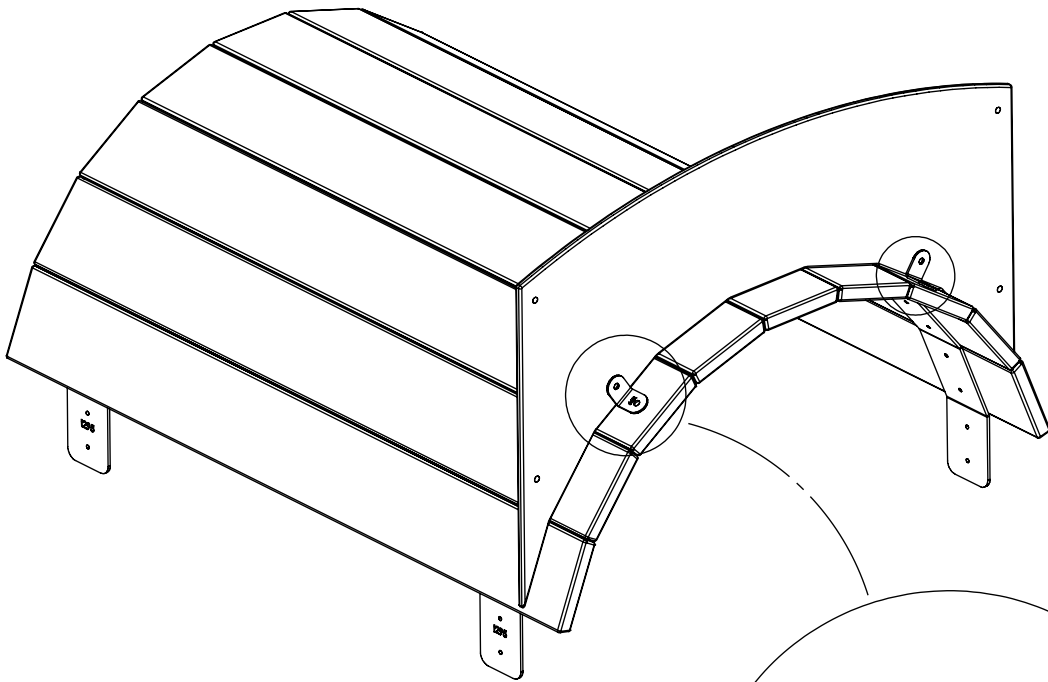
128222

34x 5x50sxs

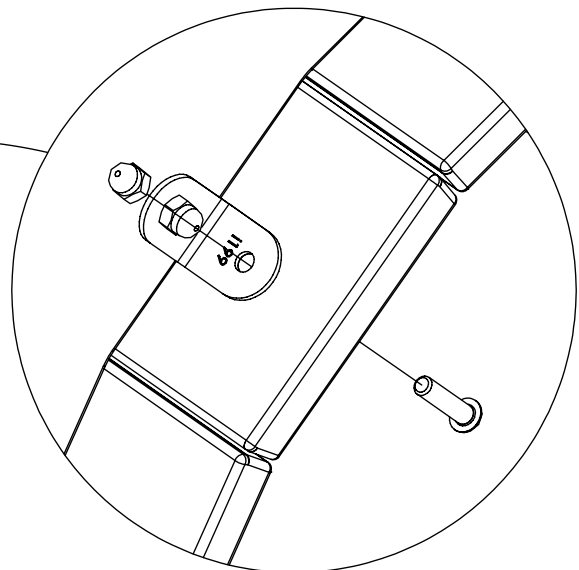
vinci play

[cm]





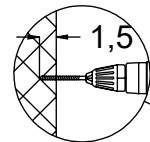
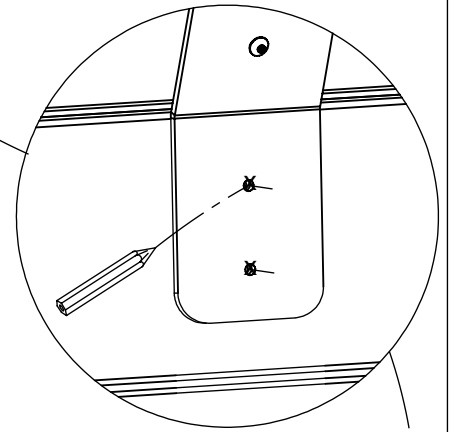
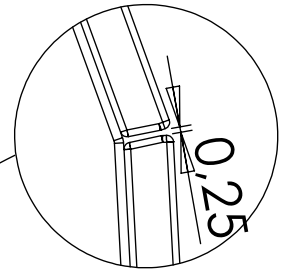
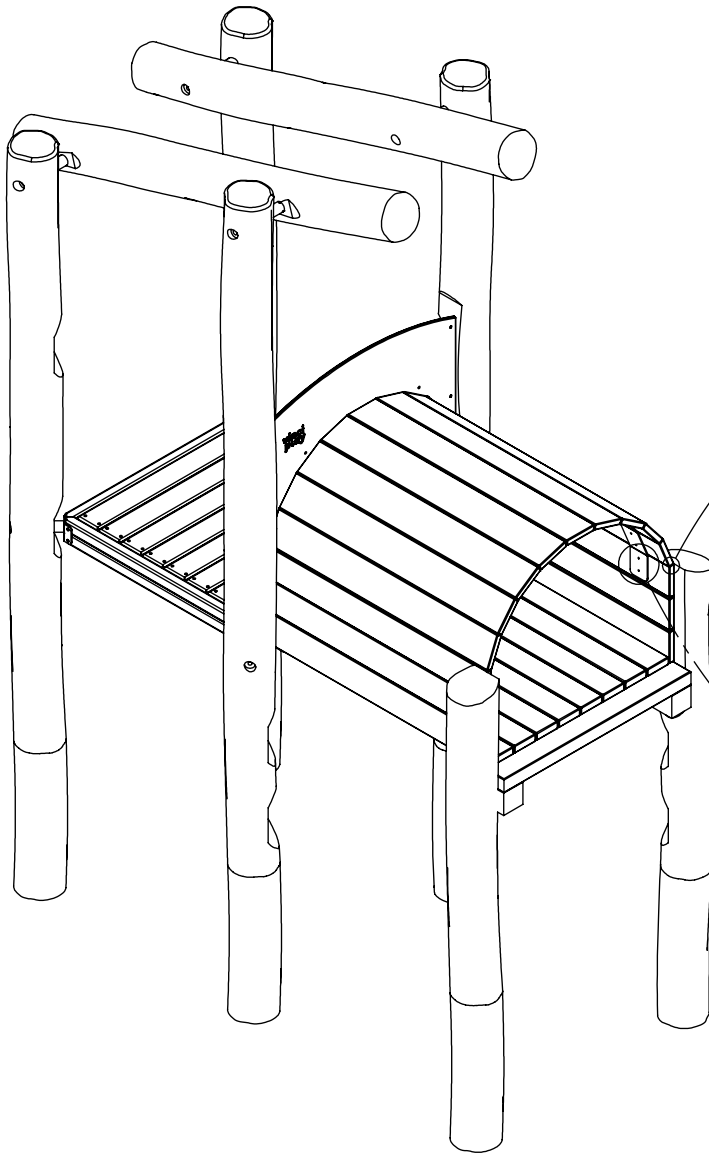
1x 12e075



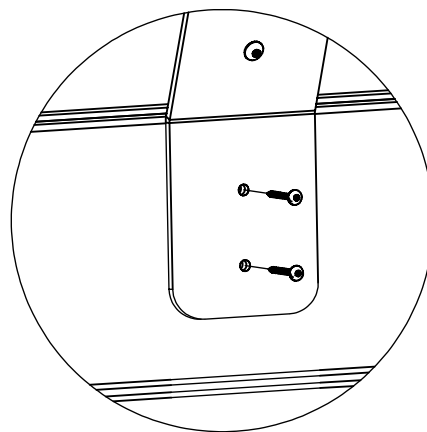
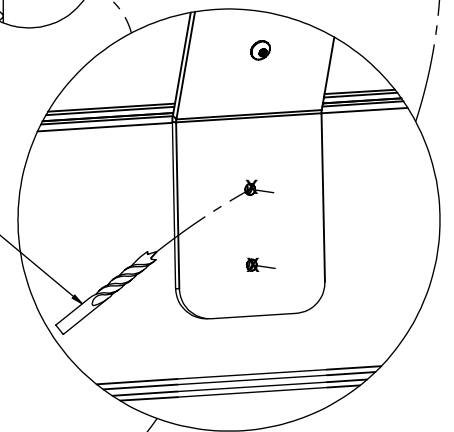
1x 12e079

[cm]

vinci
play



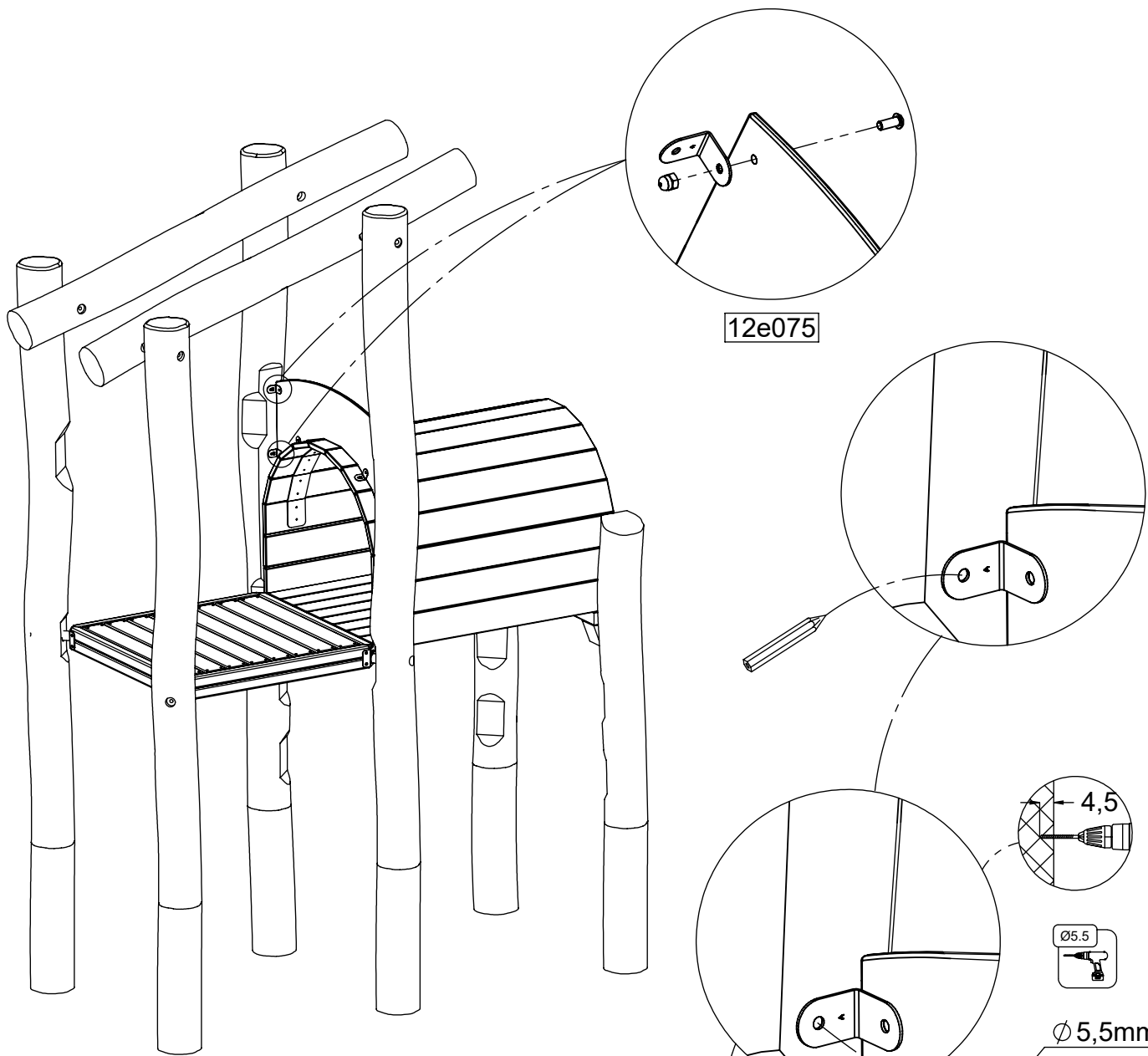
$\text{Ø}3,5\text{mm}$



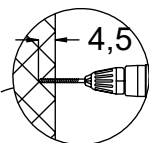
8x 5x20sxs

vinci
play

[cm]



12e075

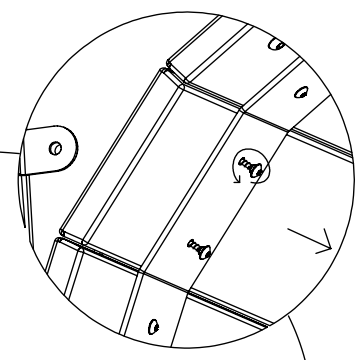
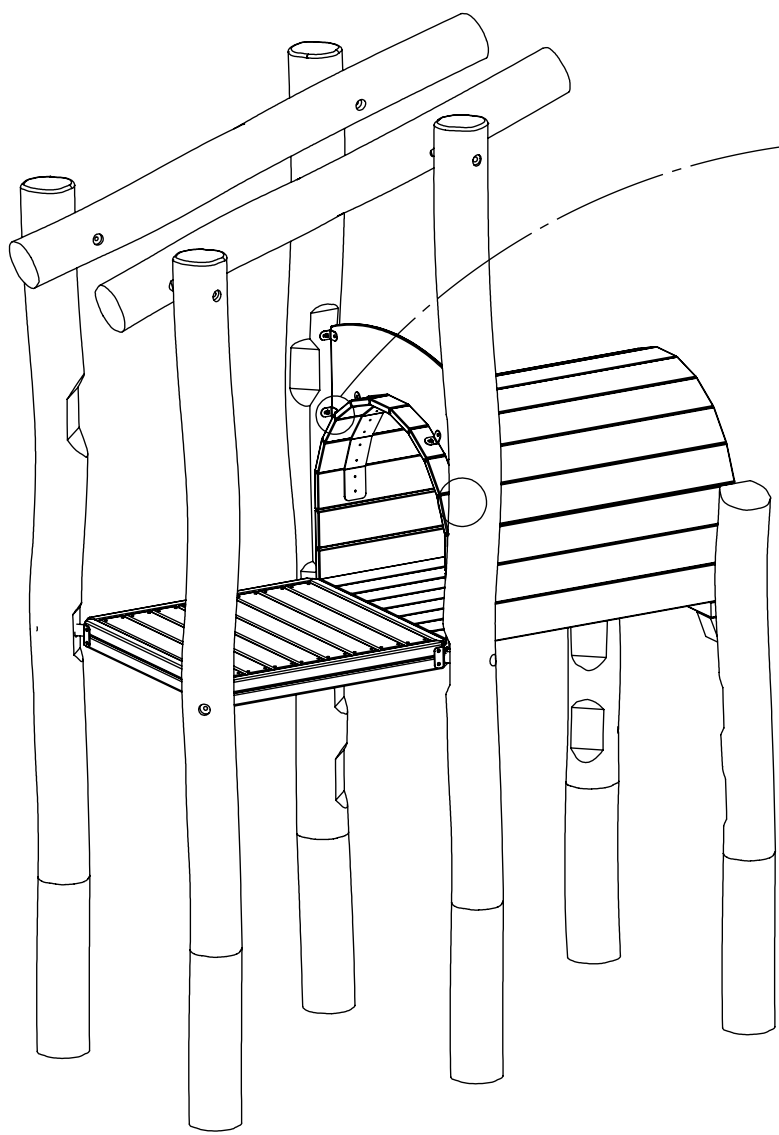


Ø5,5mm

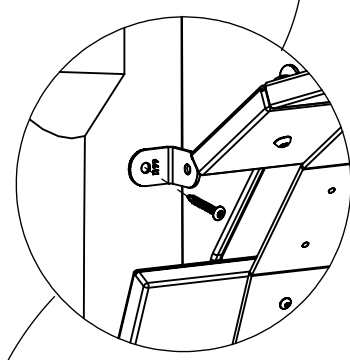
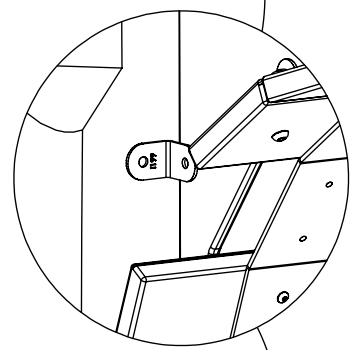
2x 7x35sxi

[cm]

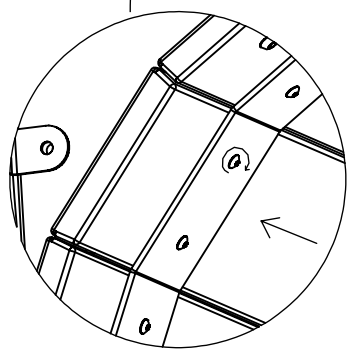
vinci
play



5x20sxs



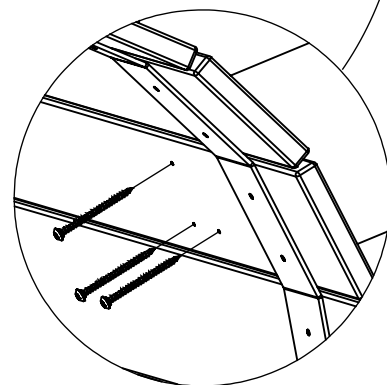
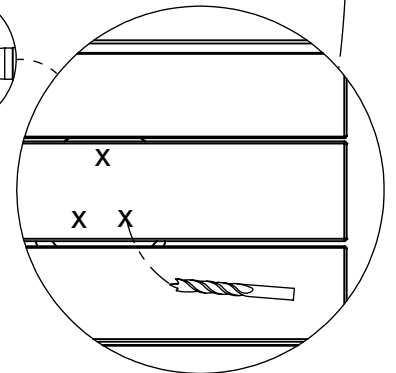
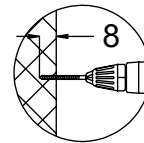
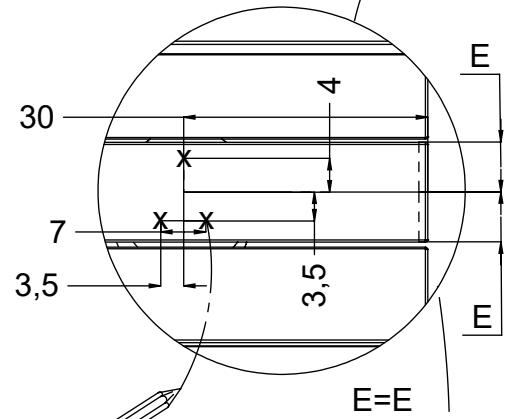
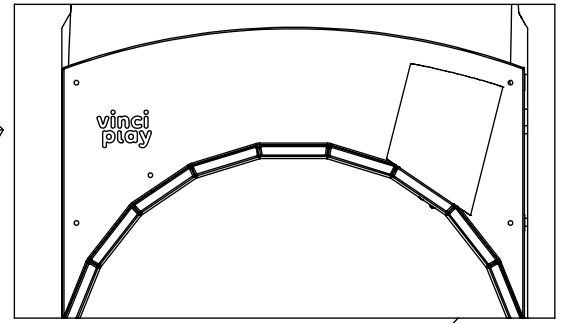
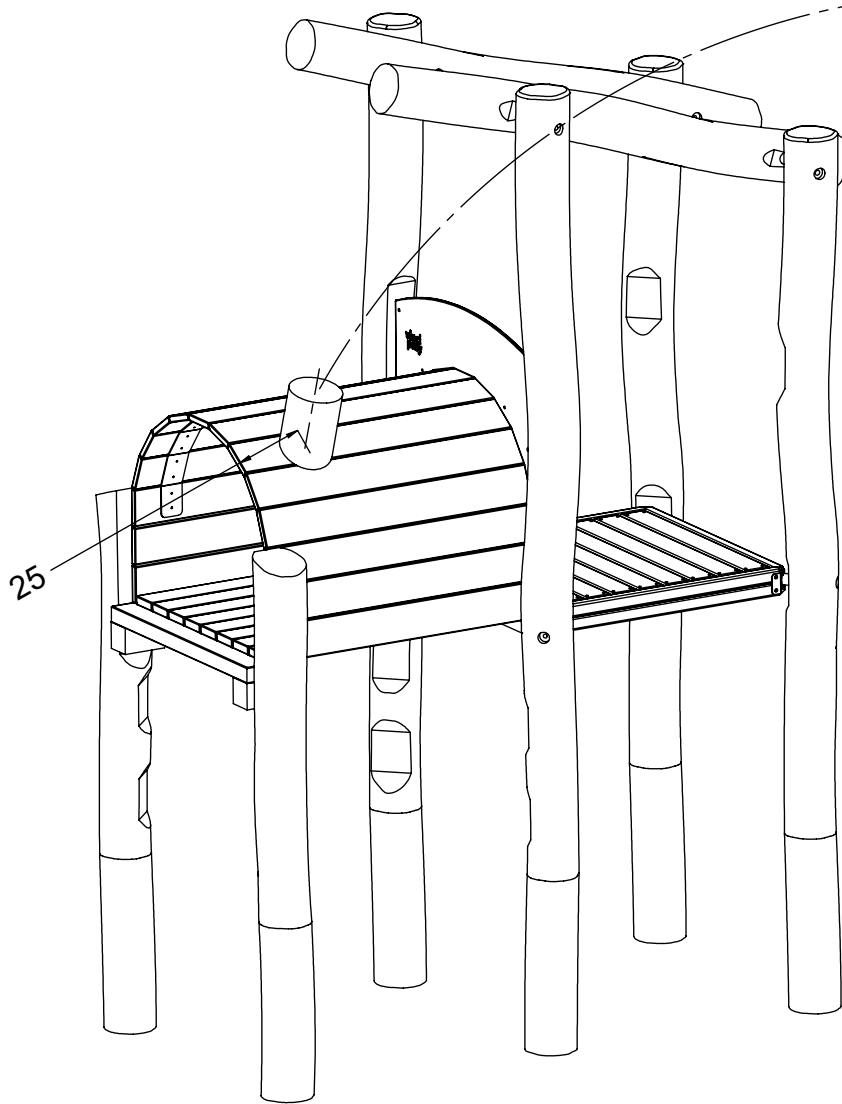
2x 7x35sxi



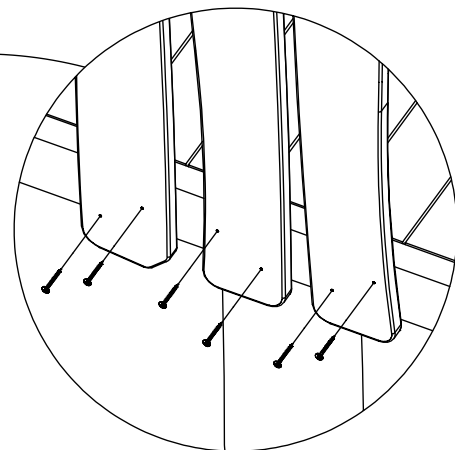
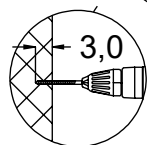
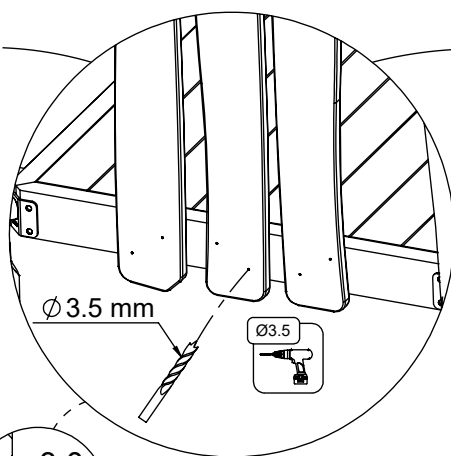
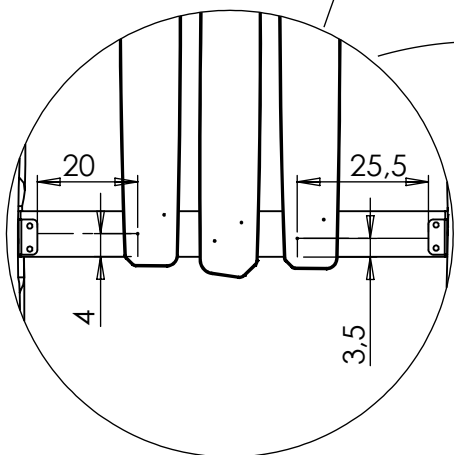
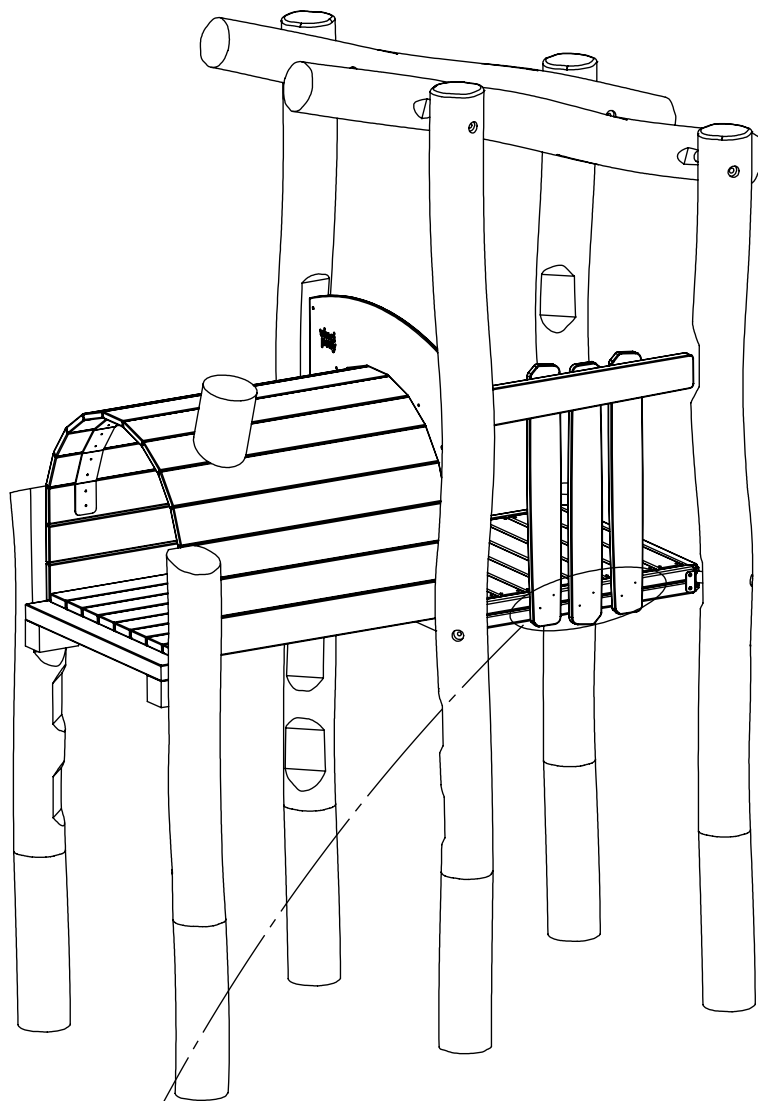
5x20sxs

[cm]

vinci
play



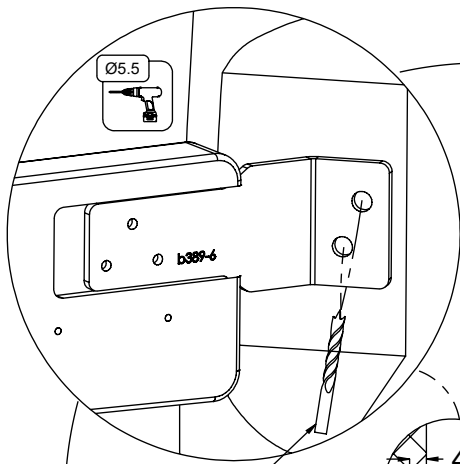
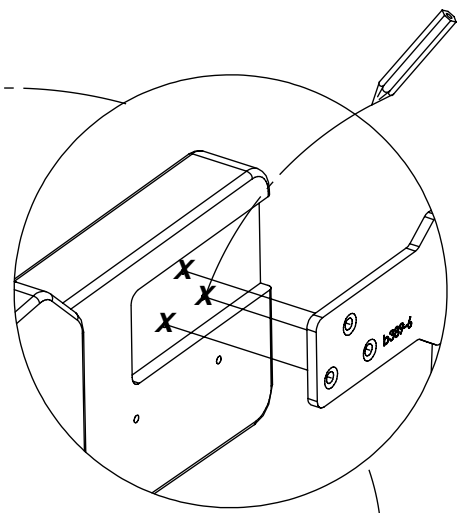
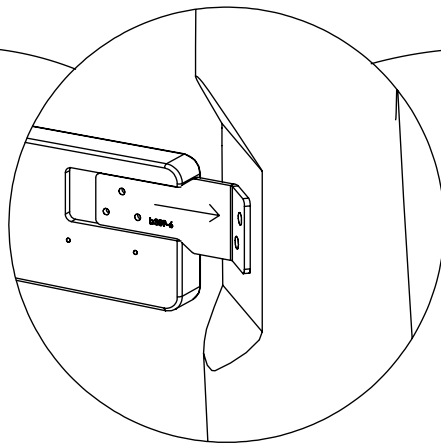
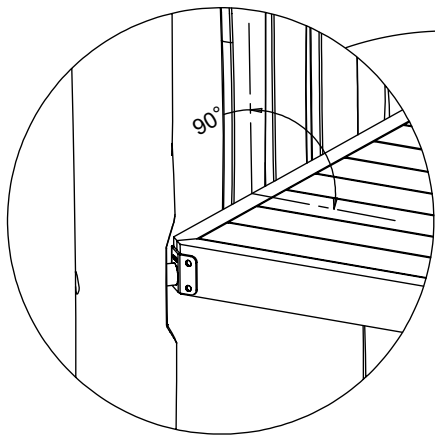
3x 5x80sxs



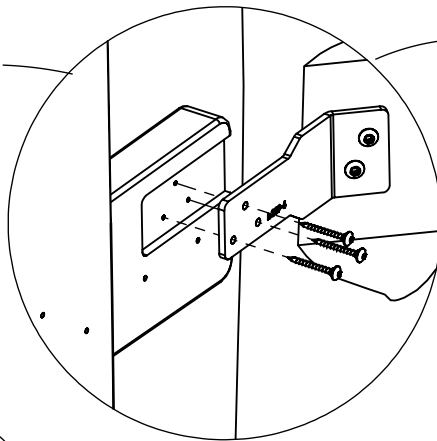
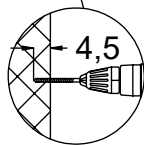
6x 5x50sxs

[cm]

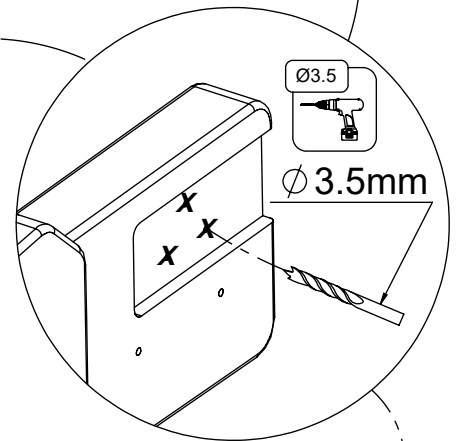
vinci
play



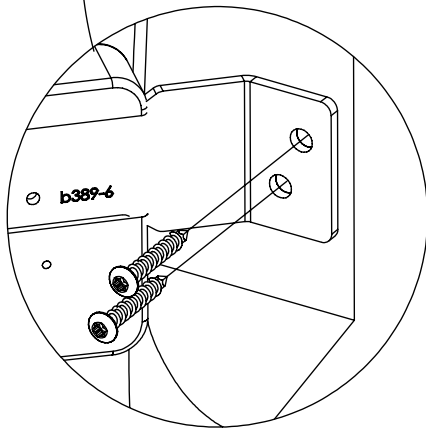
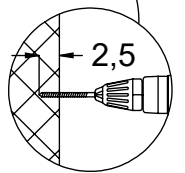
Ø 5,5mm



6x 5x30sxs

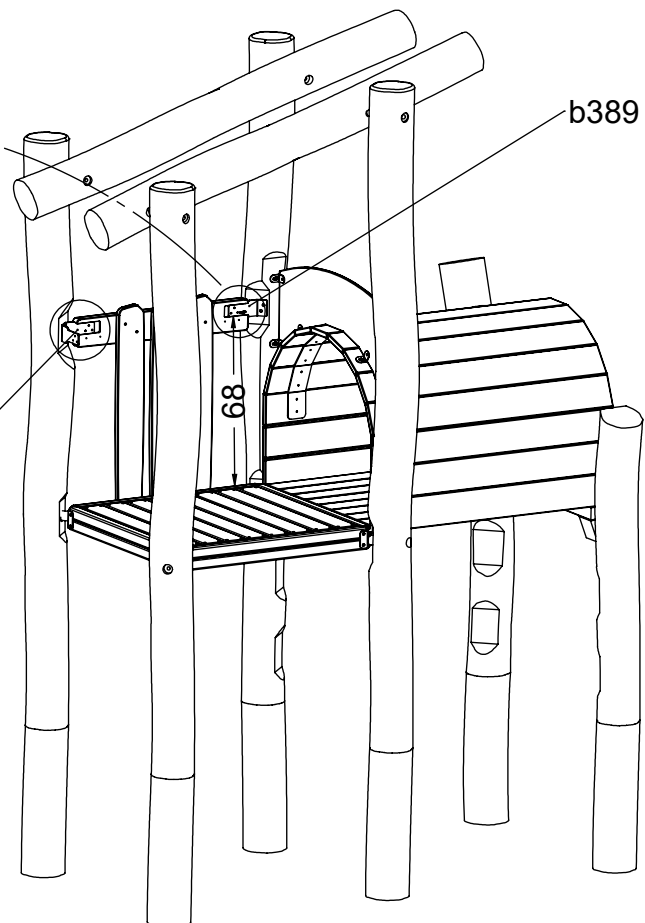


Ø 3,5mm



4x 8x50sxi

b390



b389

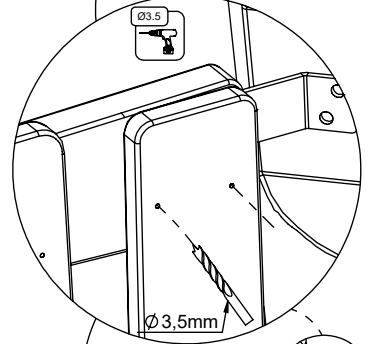
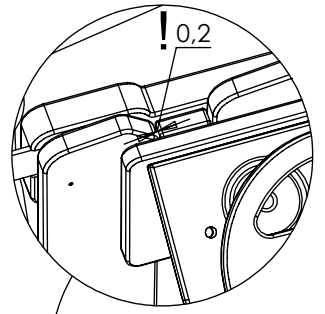
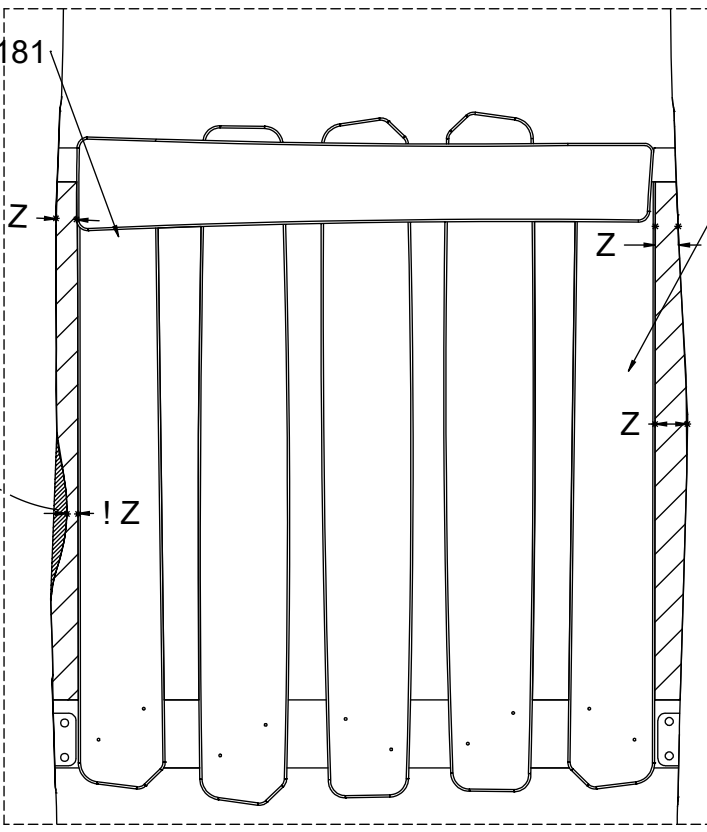
68

[cm]

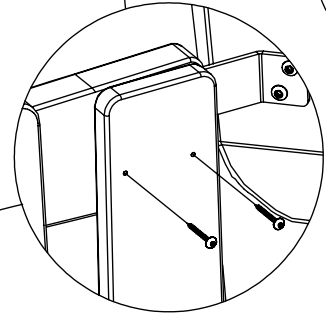
vinci
play

1x 128181

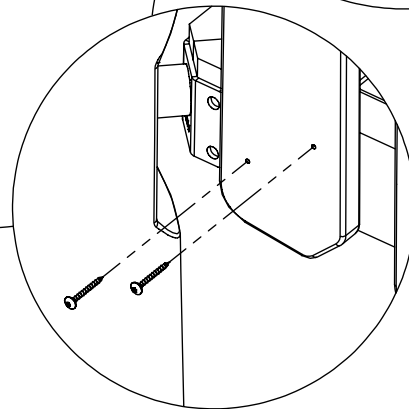
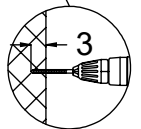
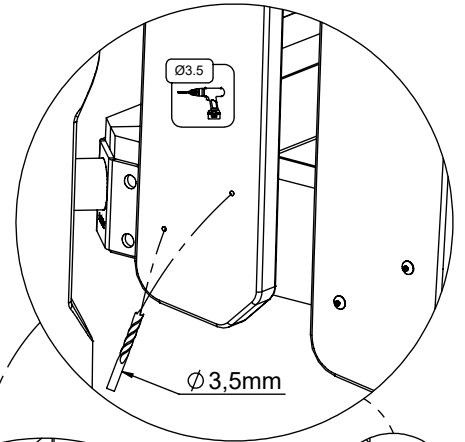
1x 128181



! 30mm < Z < 85mm



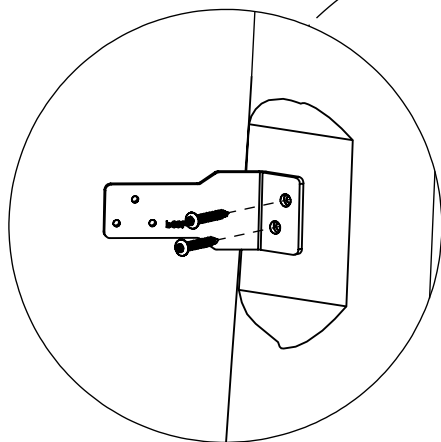
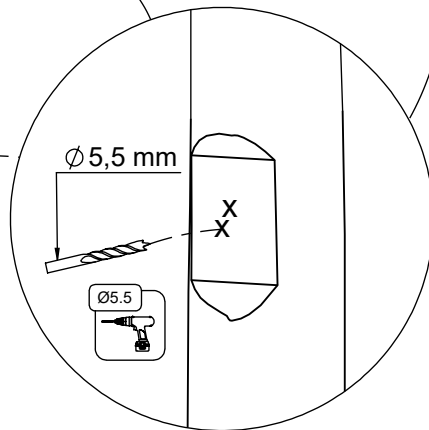
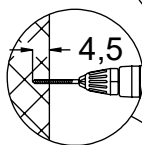
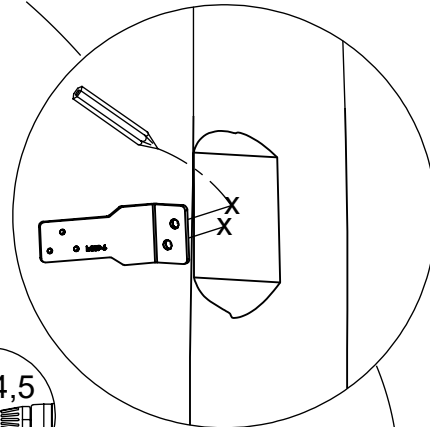
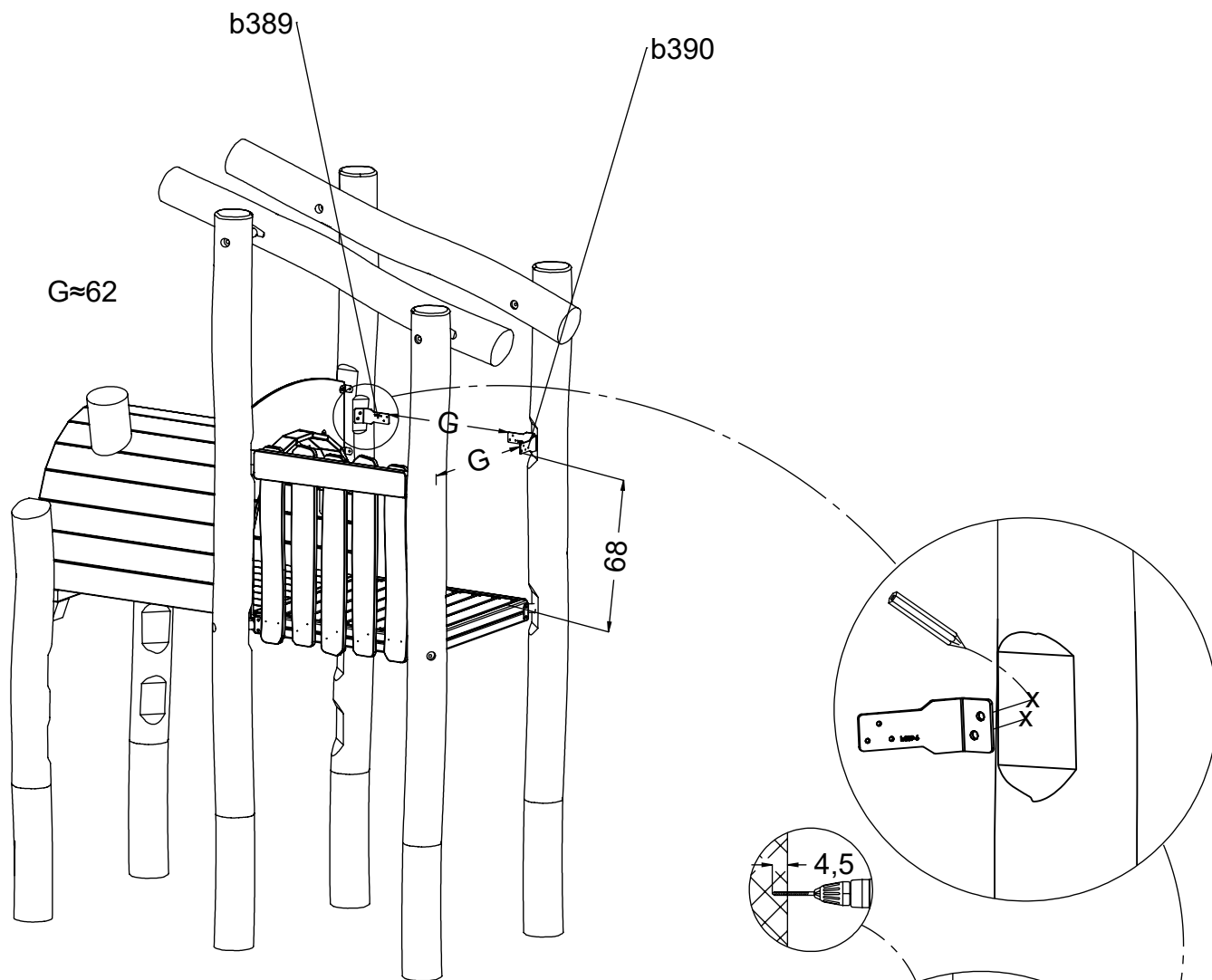
4x 5x50sxs



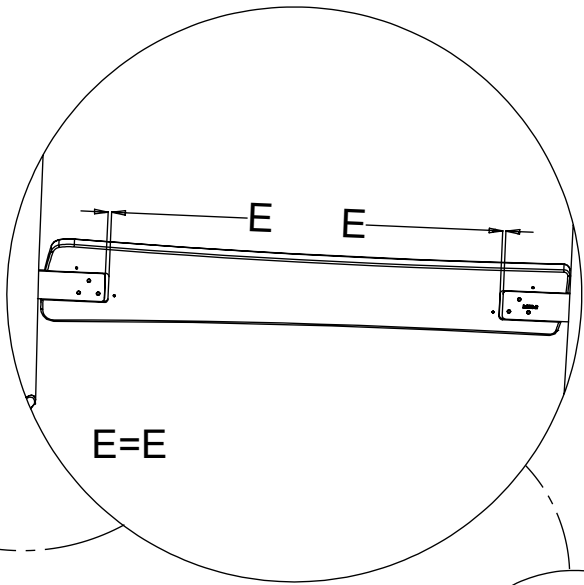
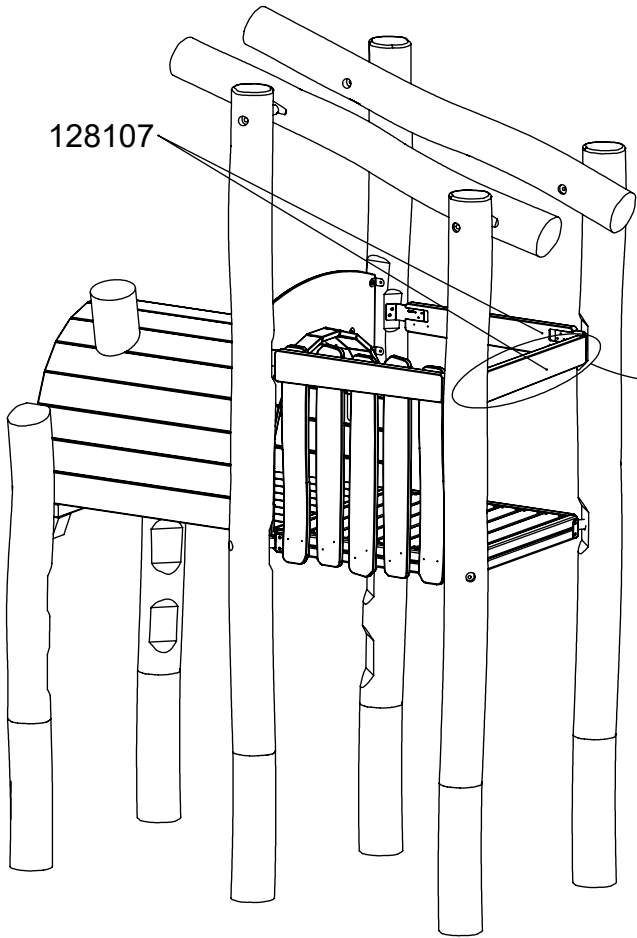
4x 5x50sxs

vinci play

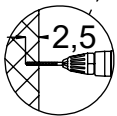
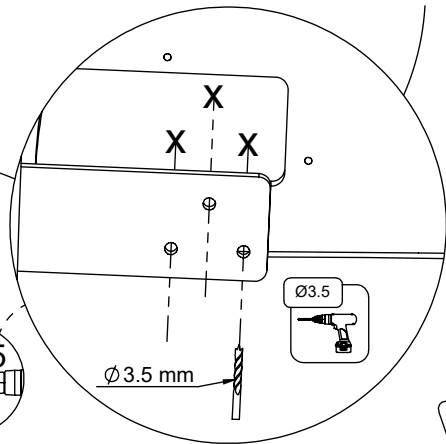
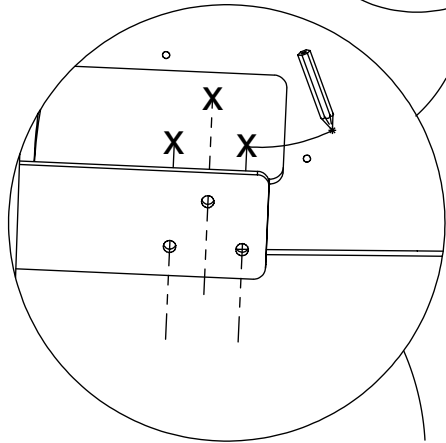
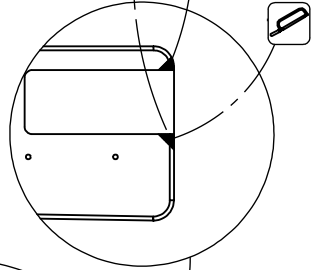
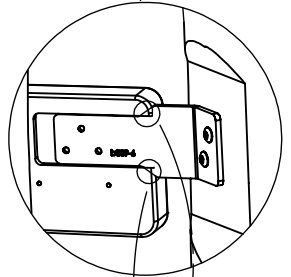
[cm]



4x 8x50sxi



E=E

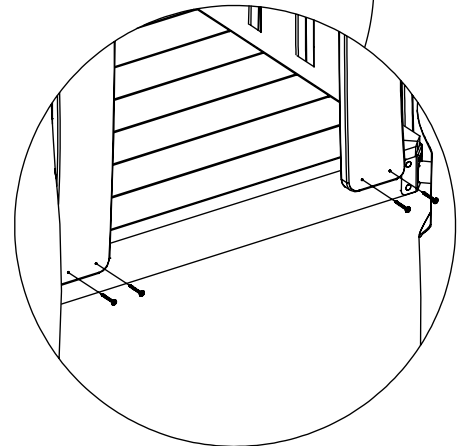
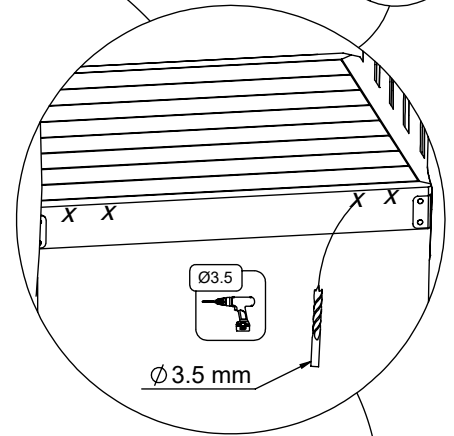
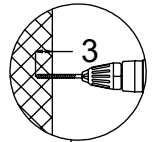
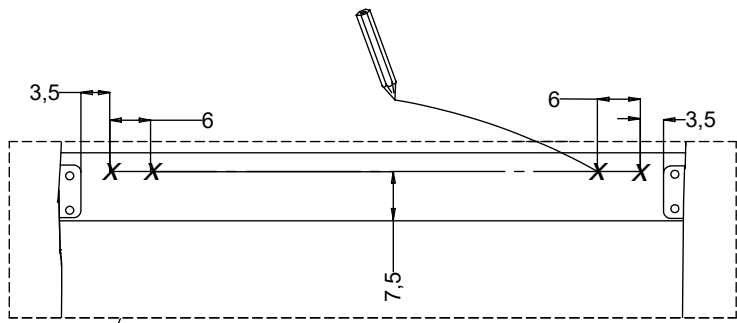


Ø3.5 mm

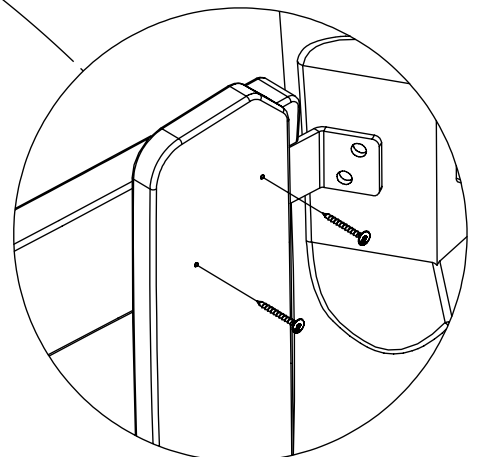
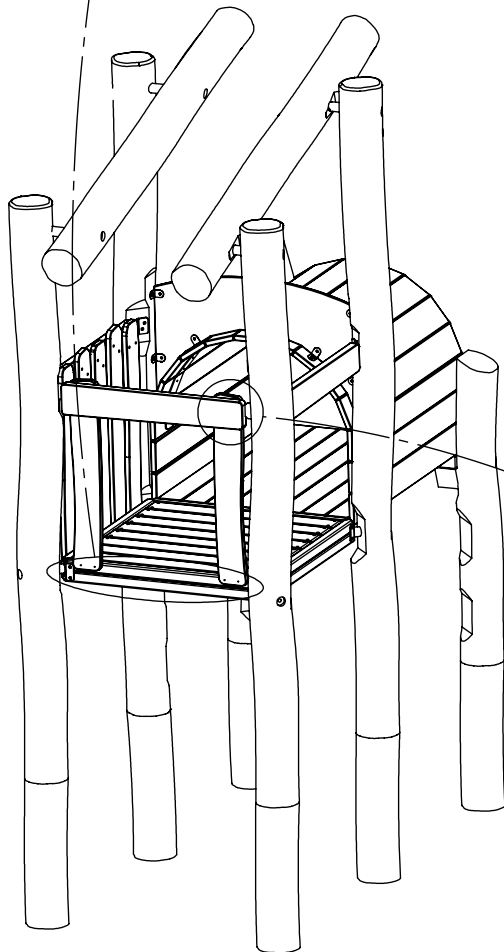
vinci
play

[cm]

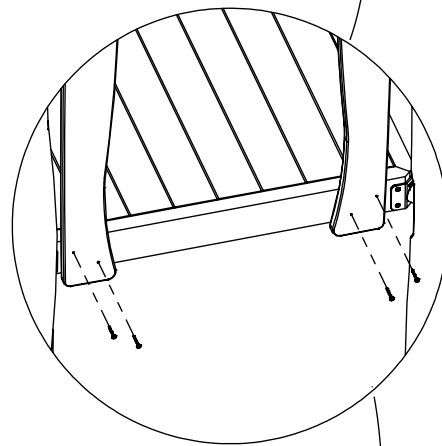
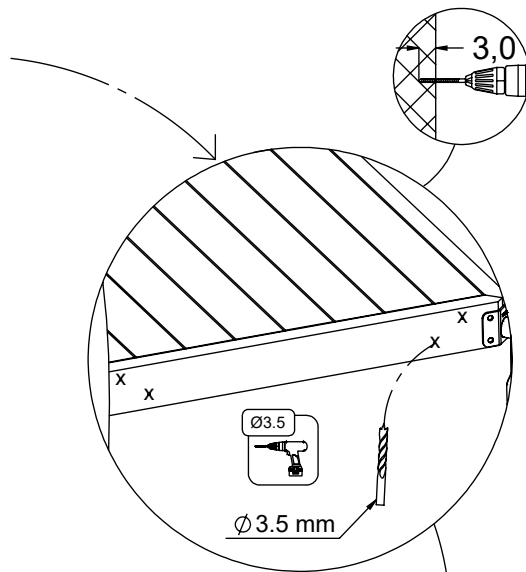
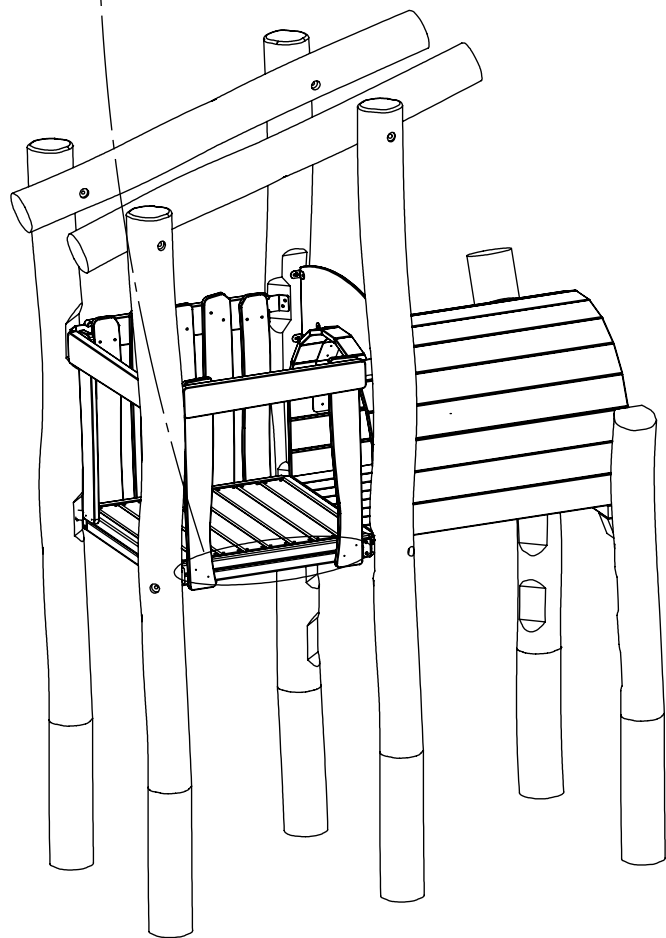
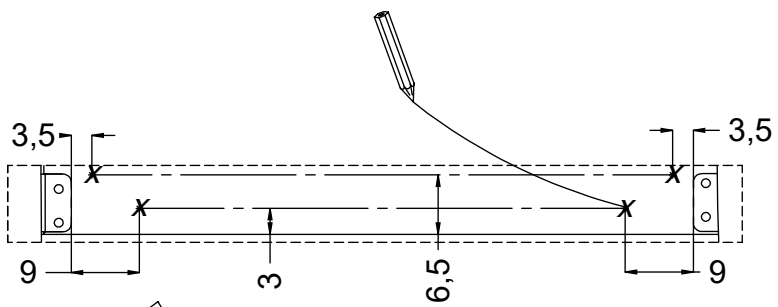
12x 5x30sxs



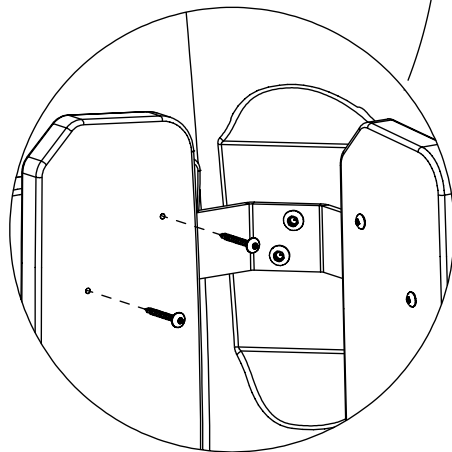
4x 5x50sxs



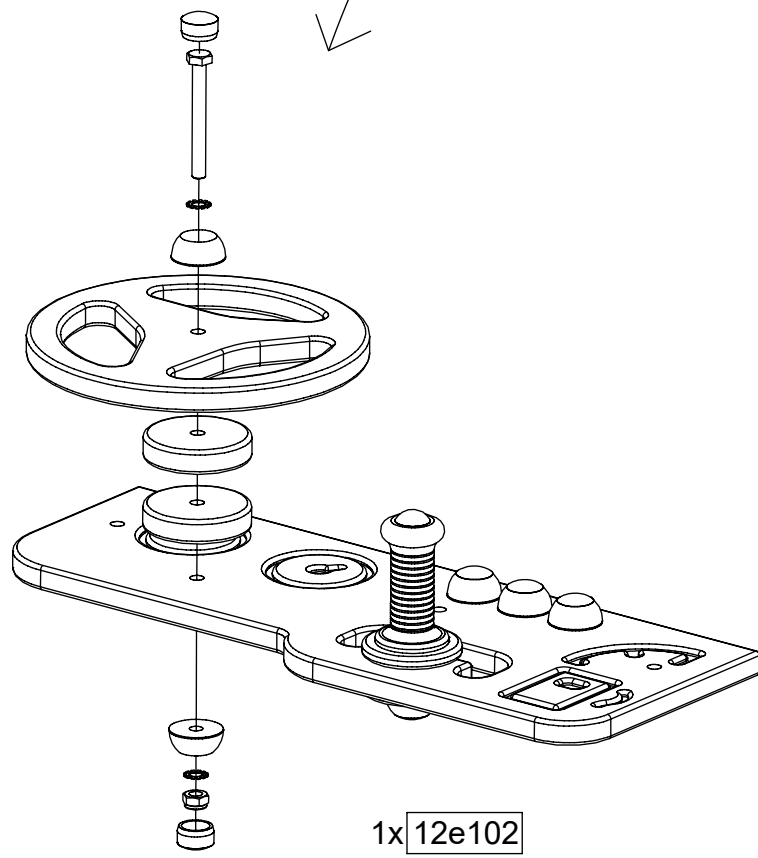
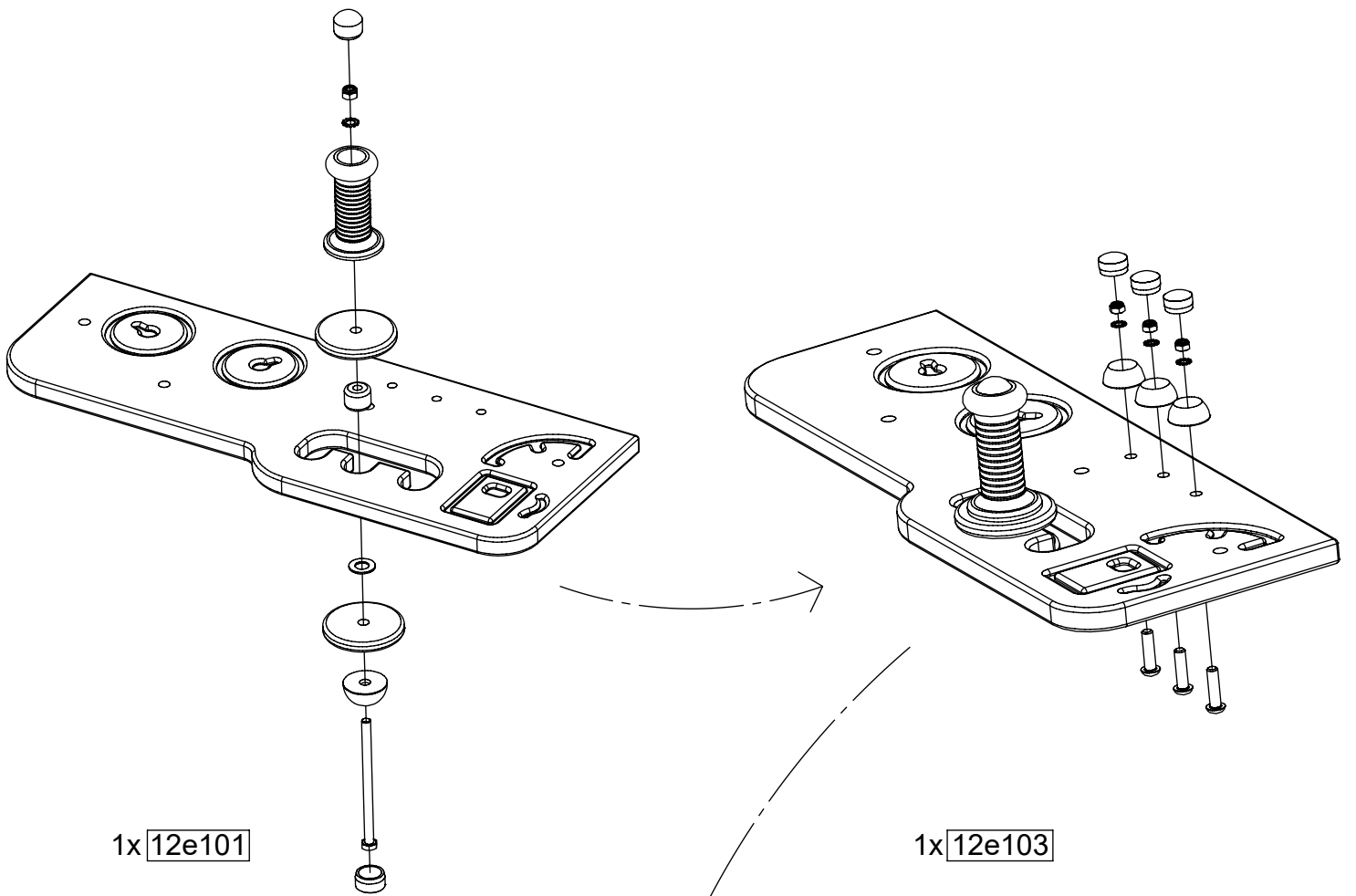
4x 5x50sxs



4x 5x50sxs

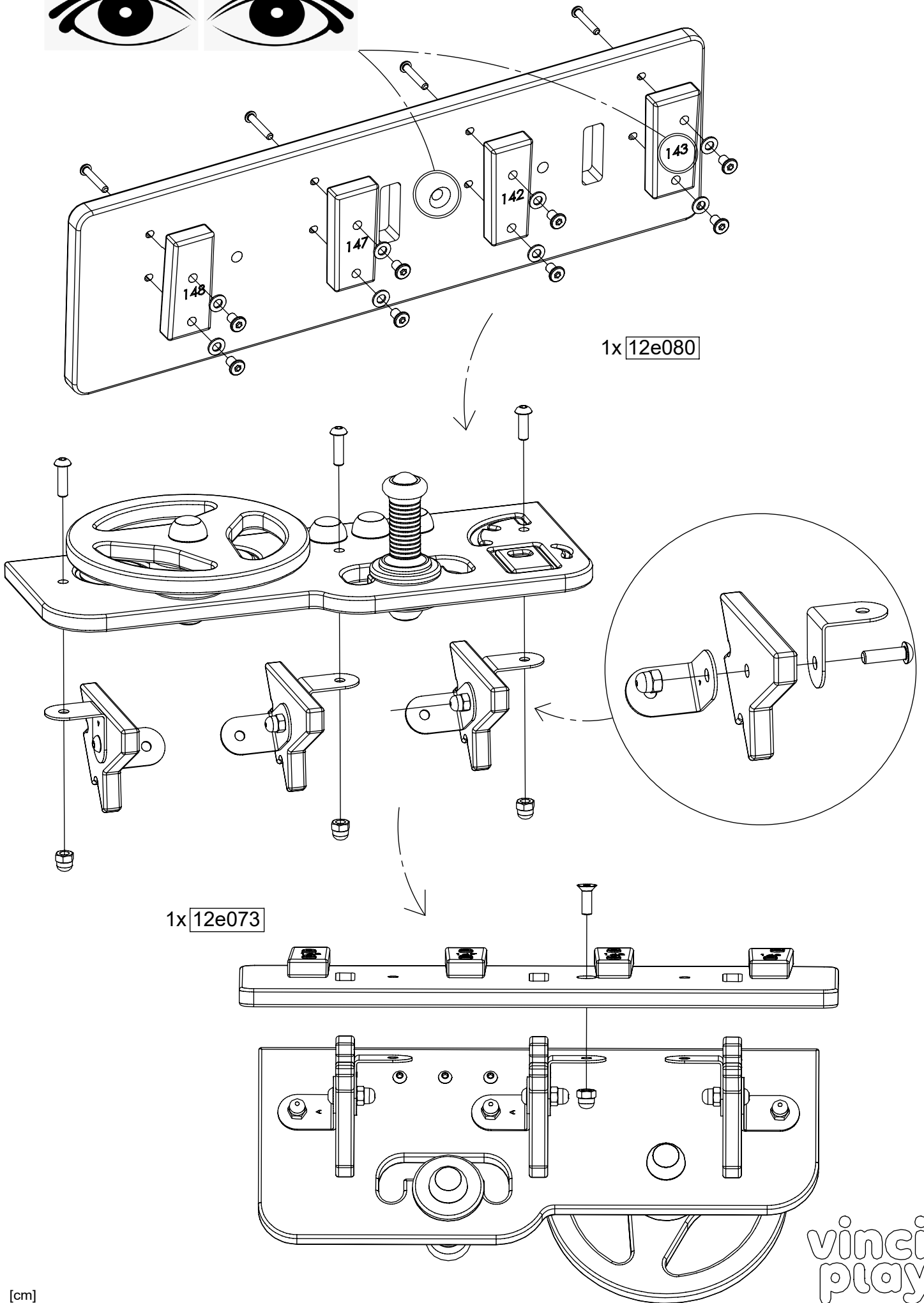


4x 5x50sxs



[cm]

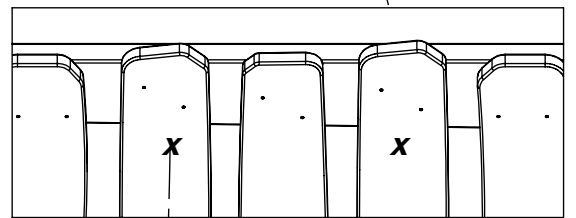
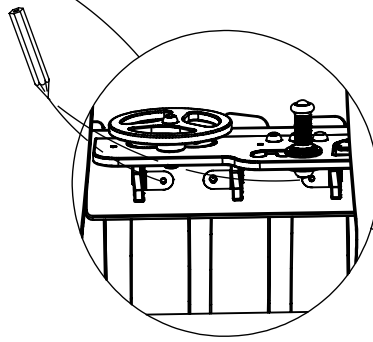
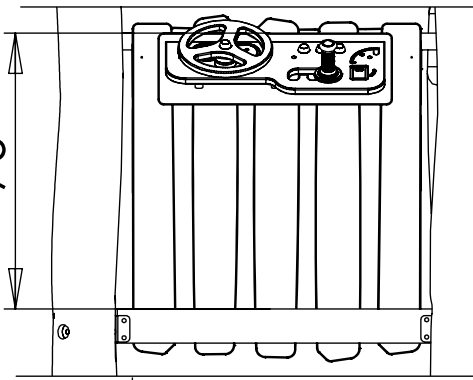
vinci
play



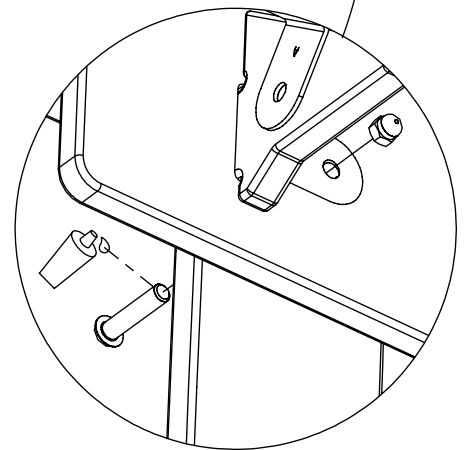
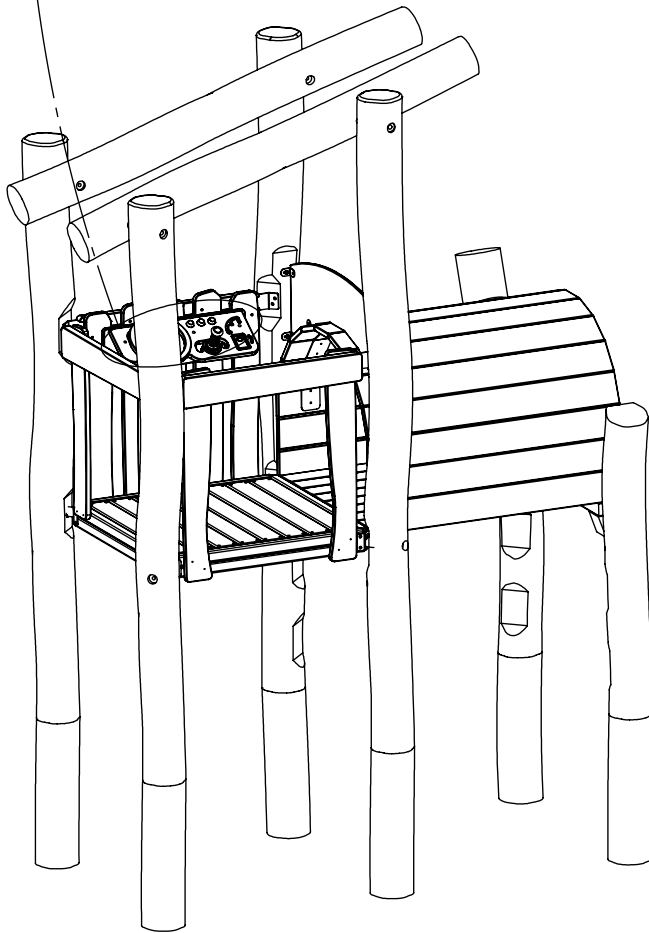
[cm]

vinci
play

70



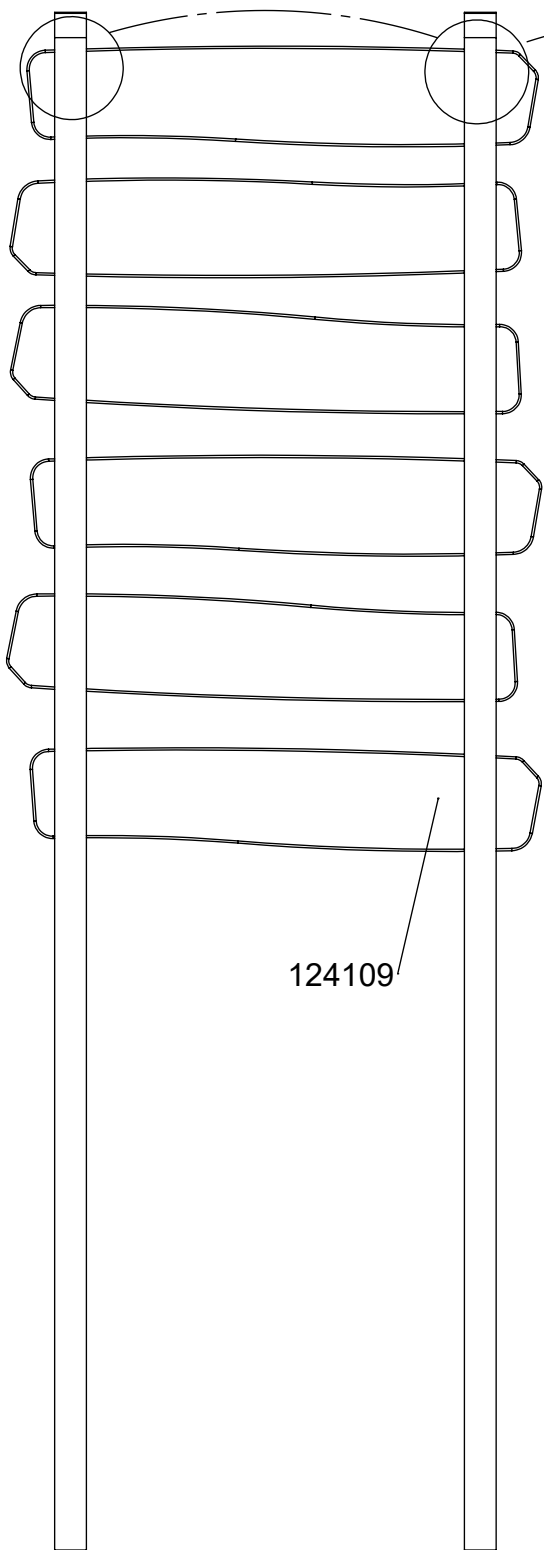
Ø 10mm



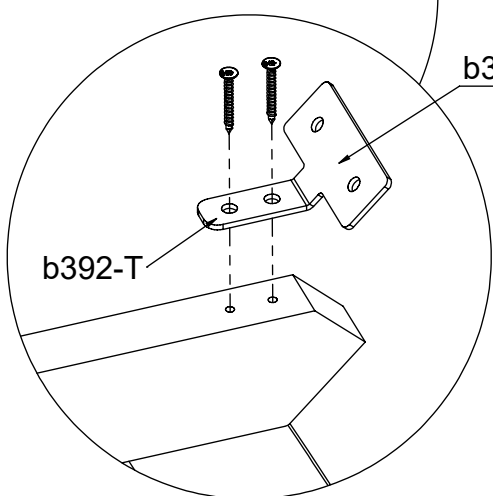
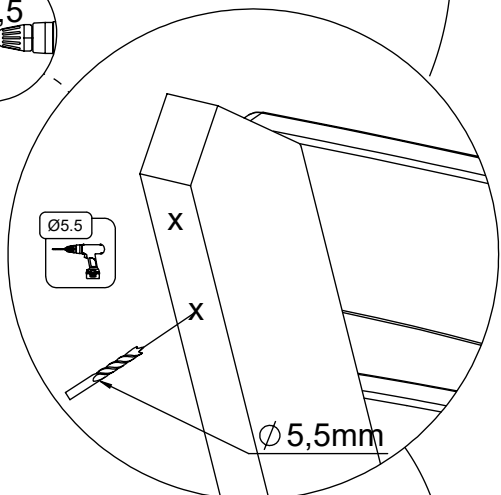
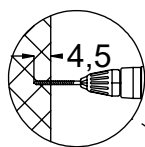
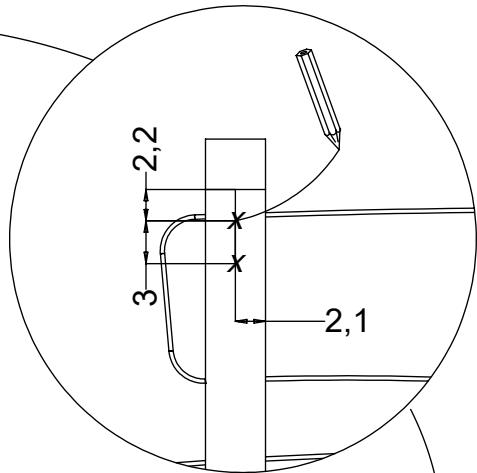
1x 12e074

[cm]

vinci
play



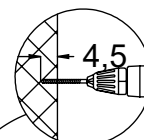
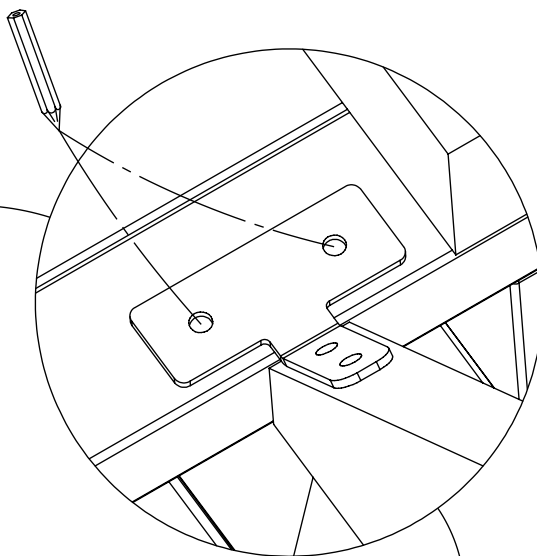
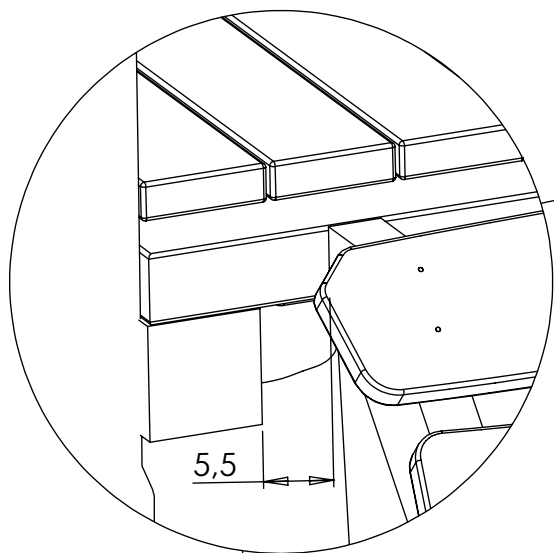
124109



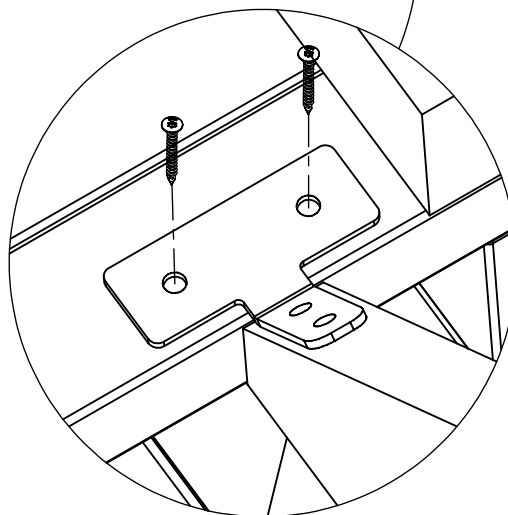
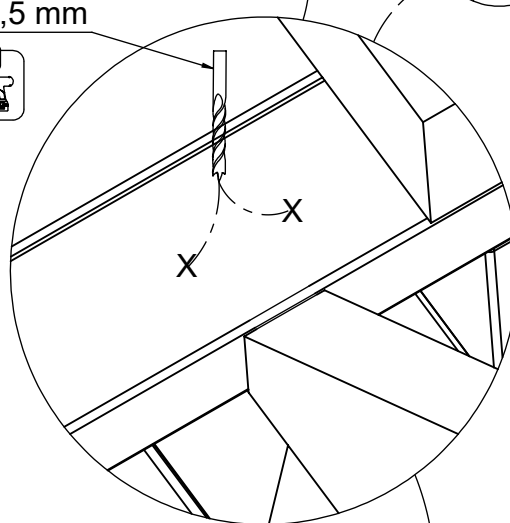
4x 8x50 sxi

[cm]

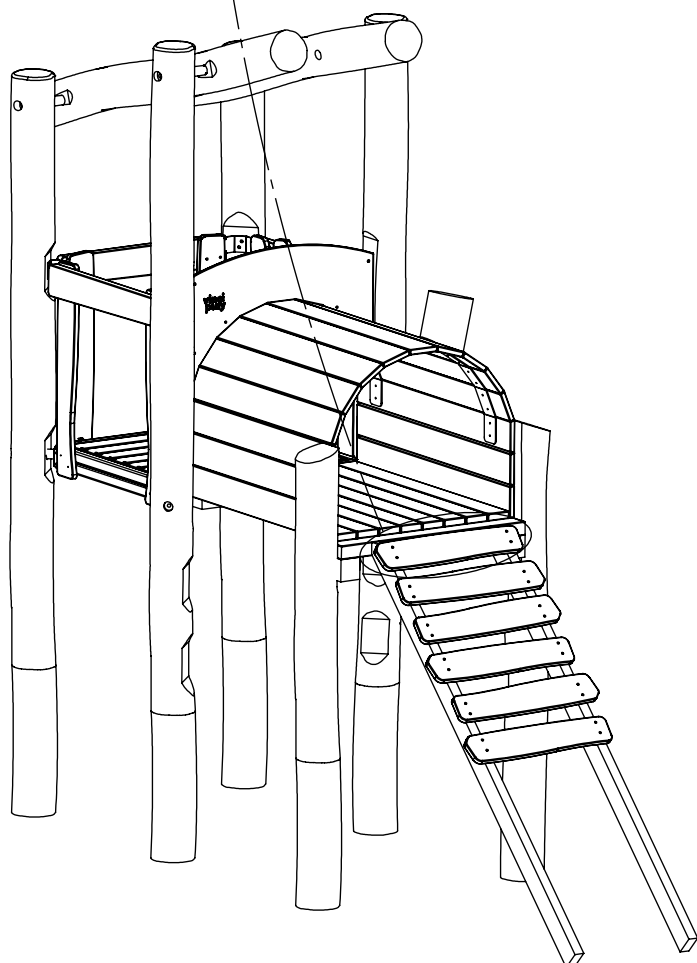
vinci
play



Ø 5,5 mm

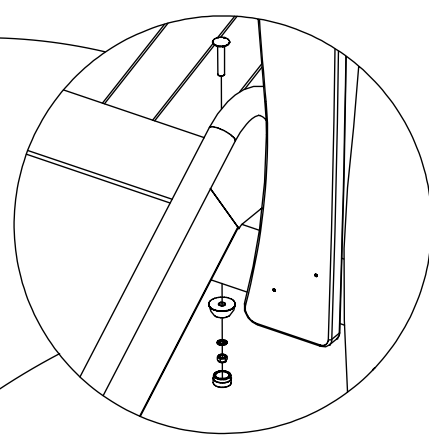
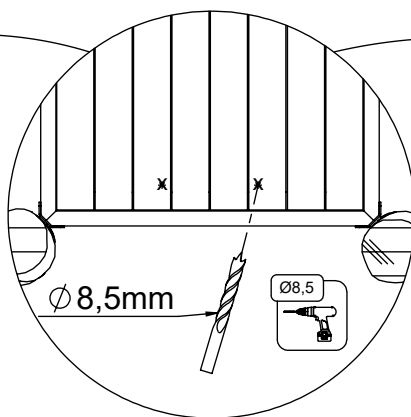
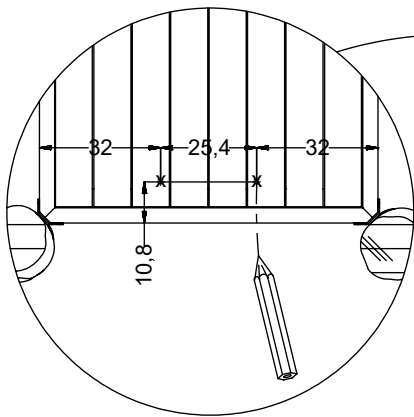


4x 8x50sxi

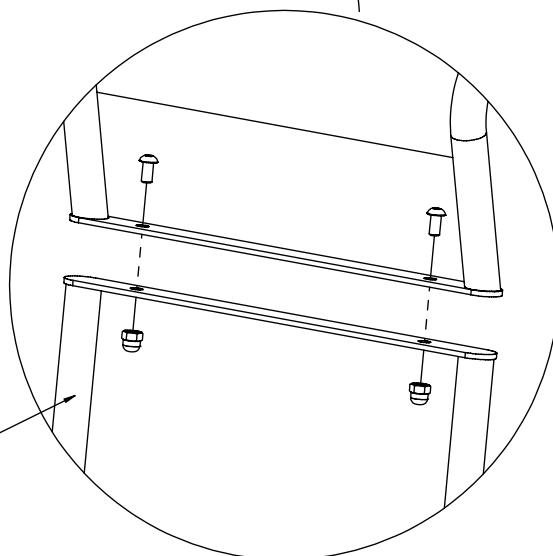
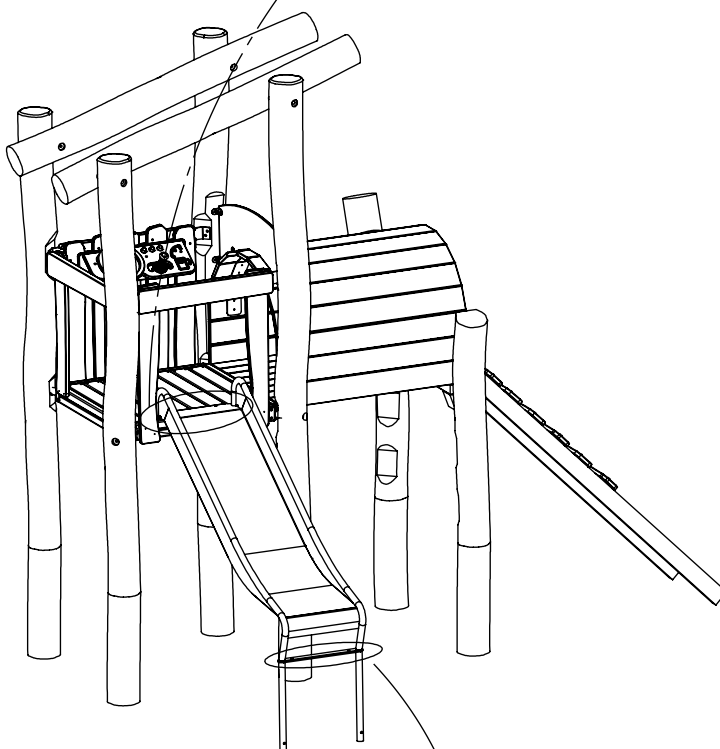


[cm]

vinci
play



1x 12e019

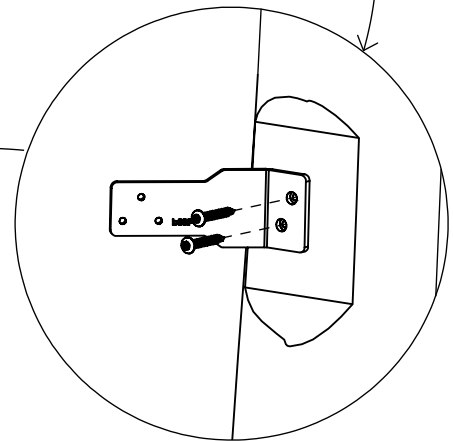
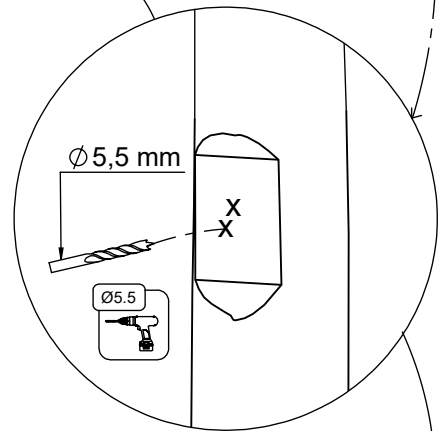
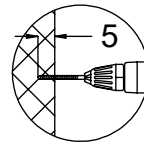
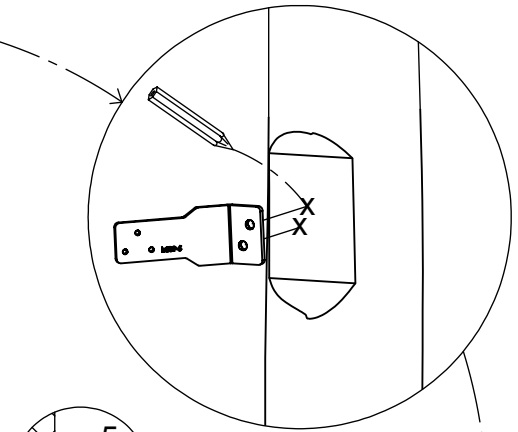
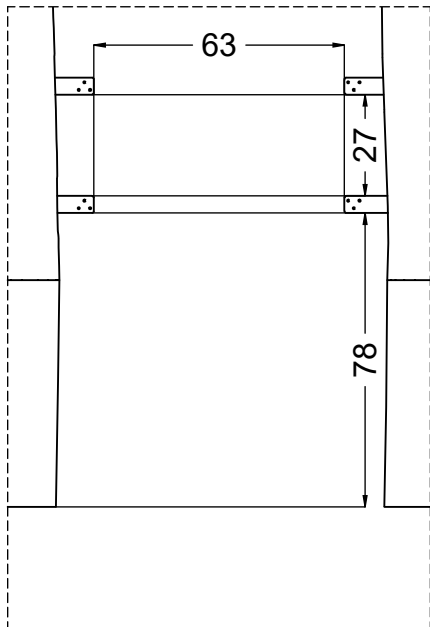


1x 992161

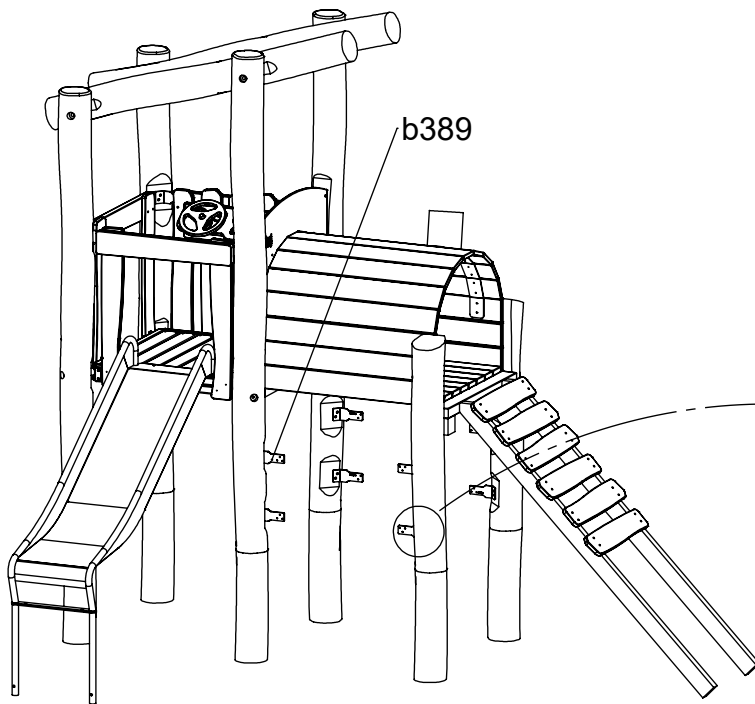
1x 12e030

[cm]

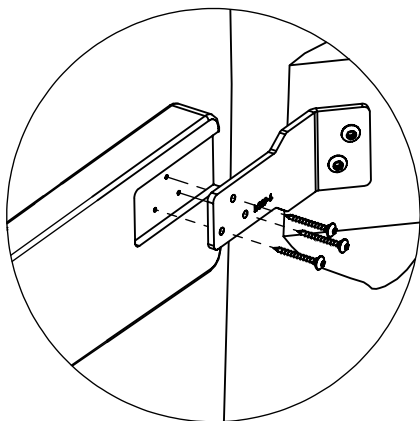
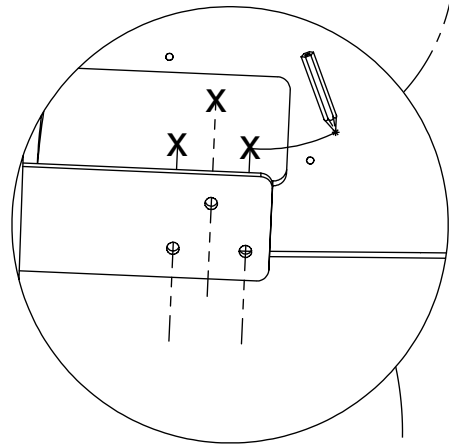
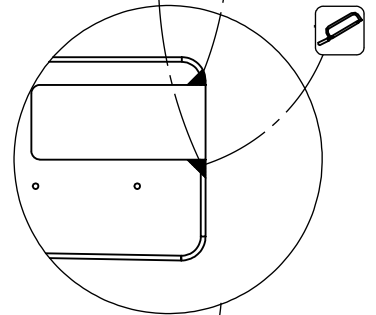
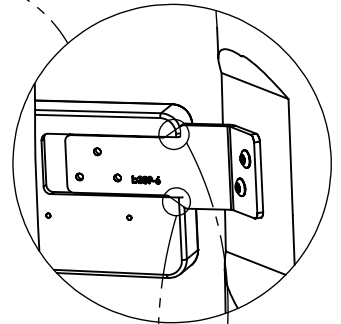
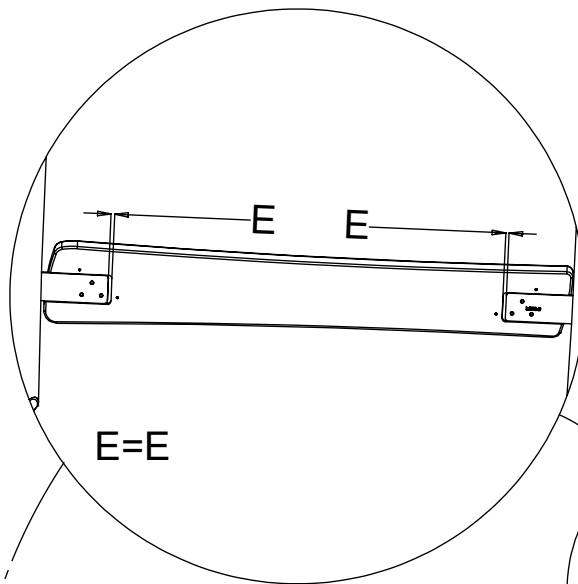
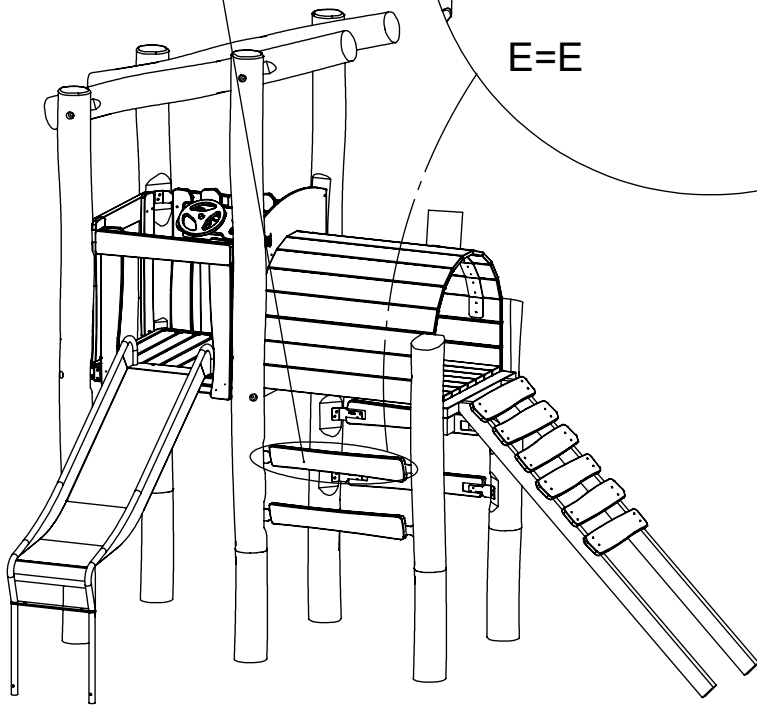
vinci
play



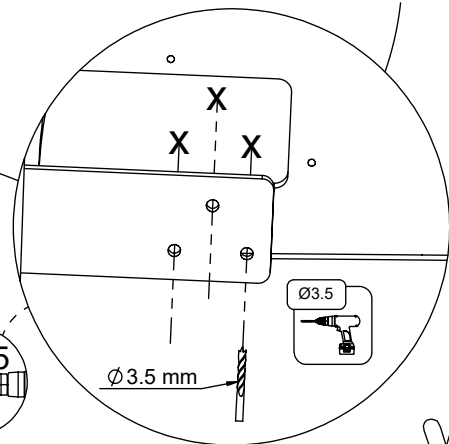
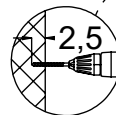
16x 8x50sxi



4x 128168

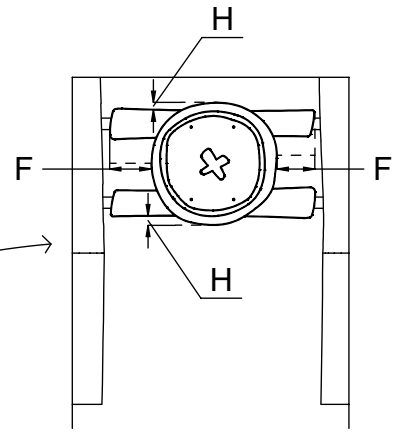
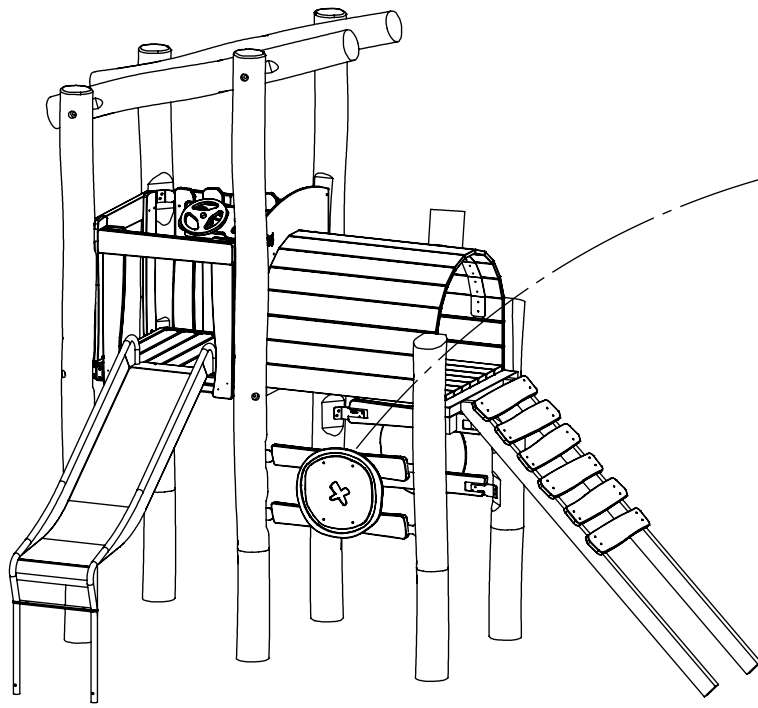


24x 5x30sxs

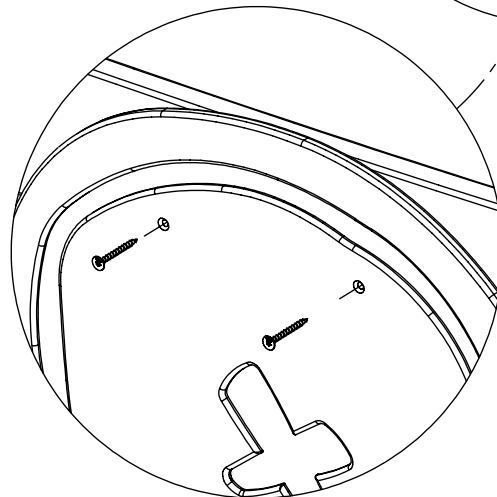
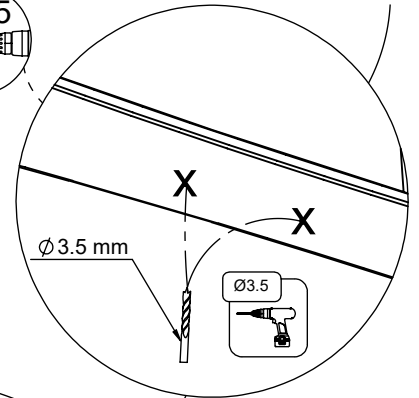
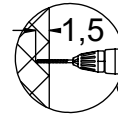
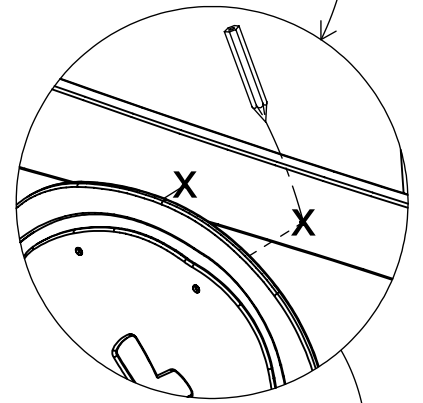


[cm]

vinci
play

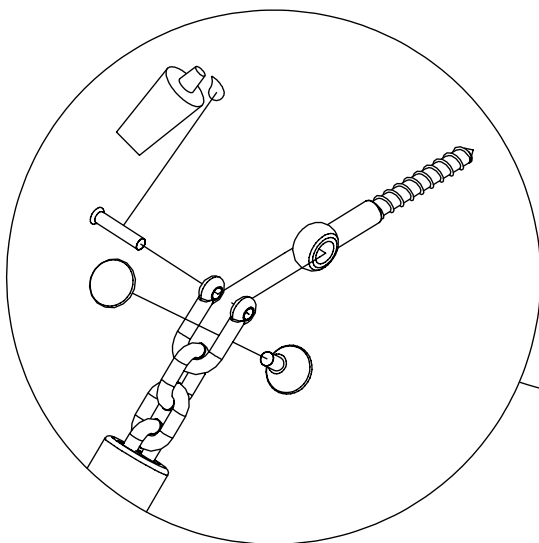
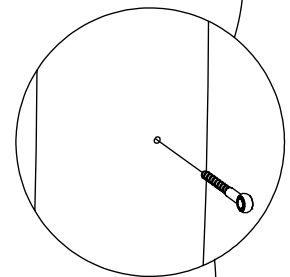
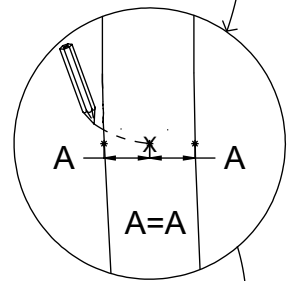
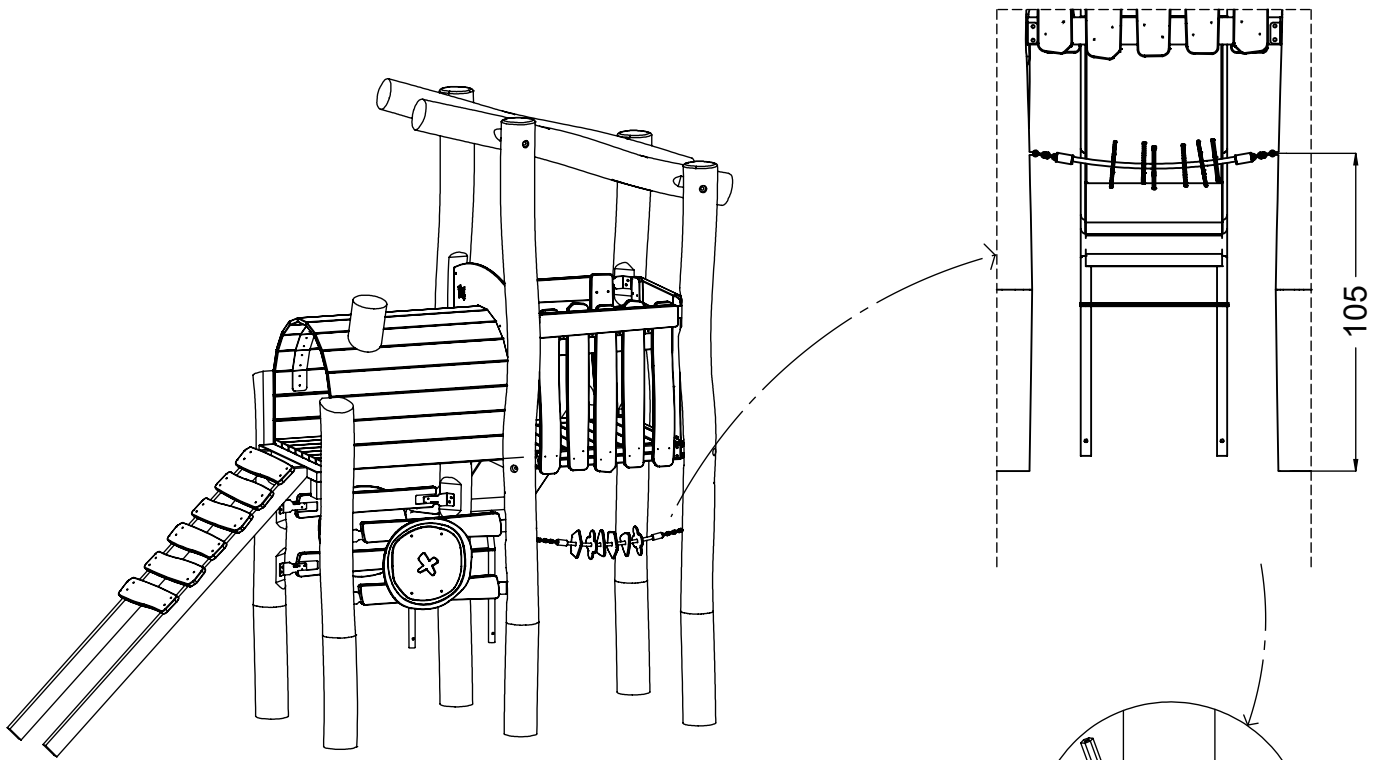


F=F
H=H

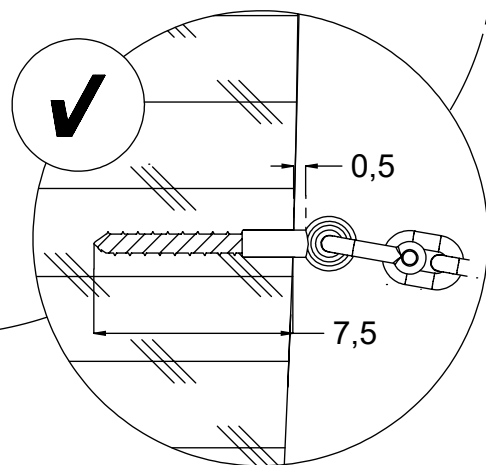


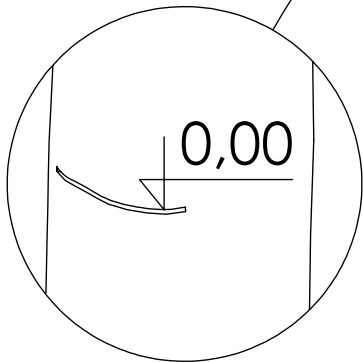
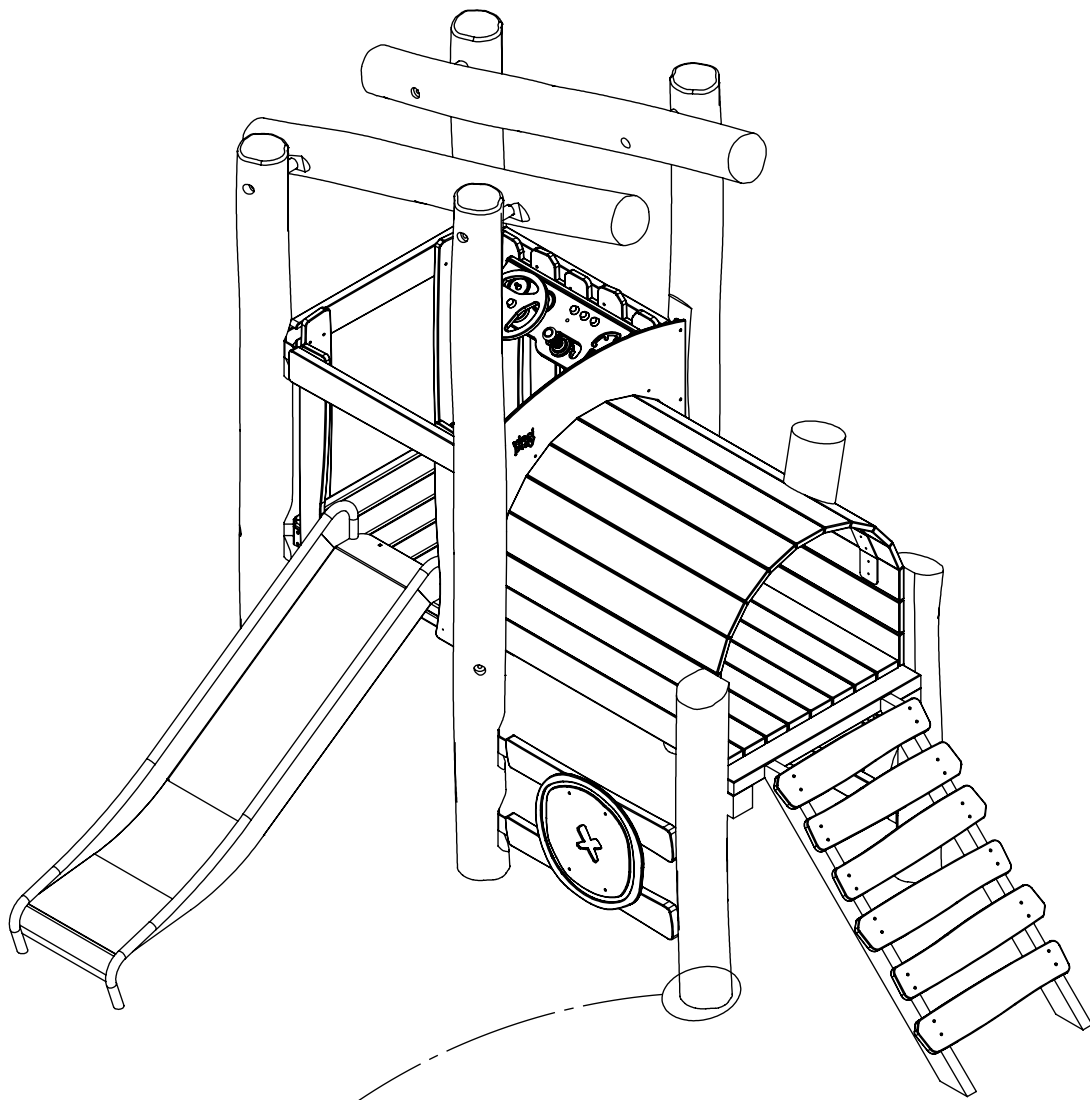
8x 5x30sxs

vinci
play



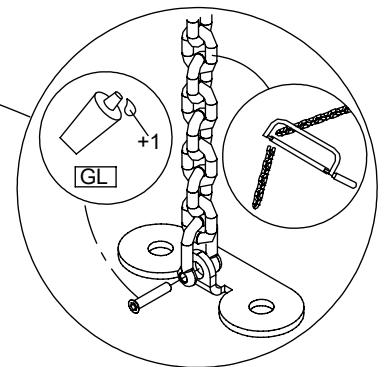
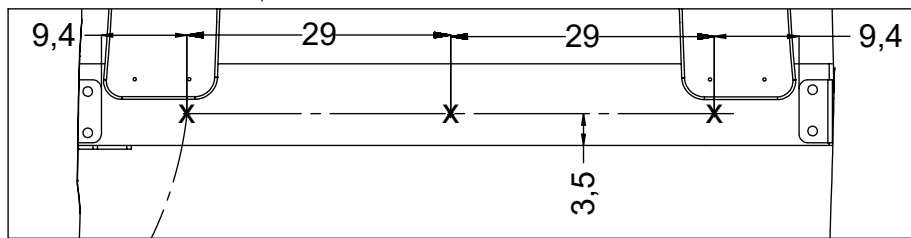
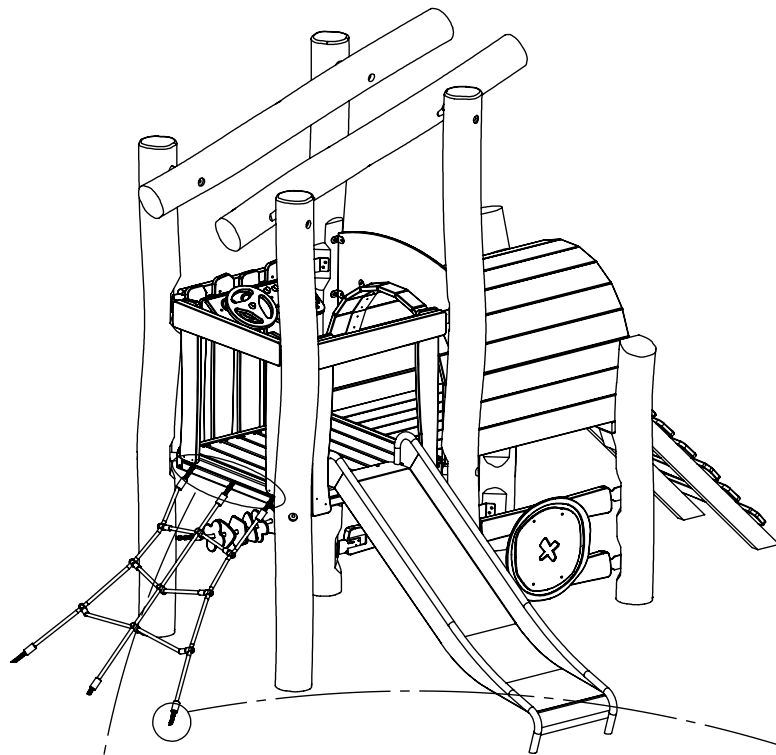
1x 12e007



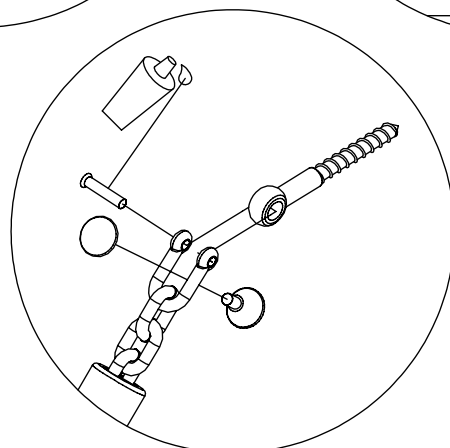
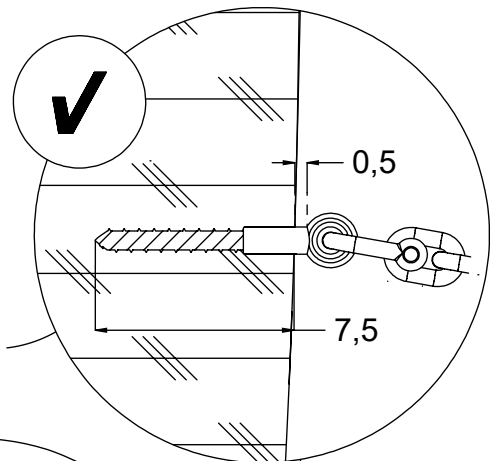
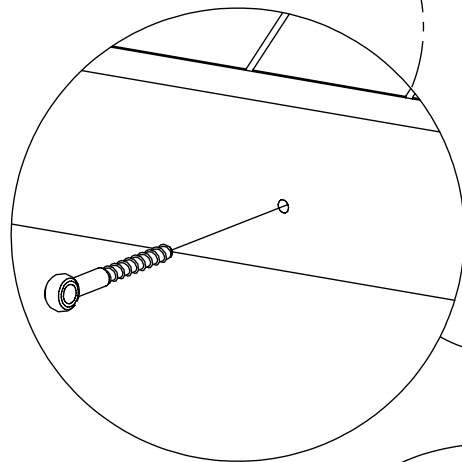


[cm]

vinci
play



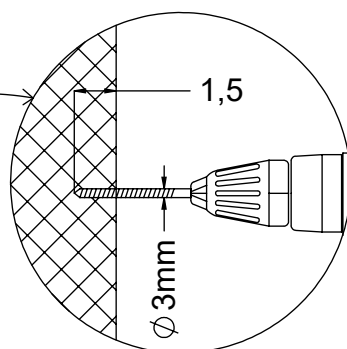
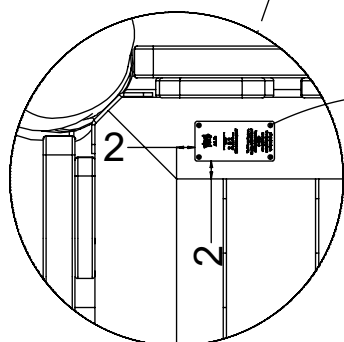
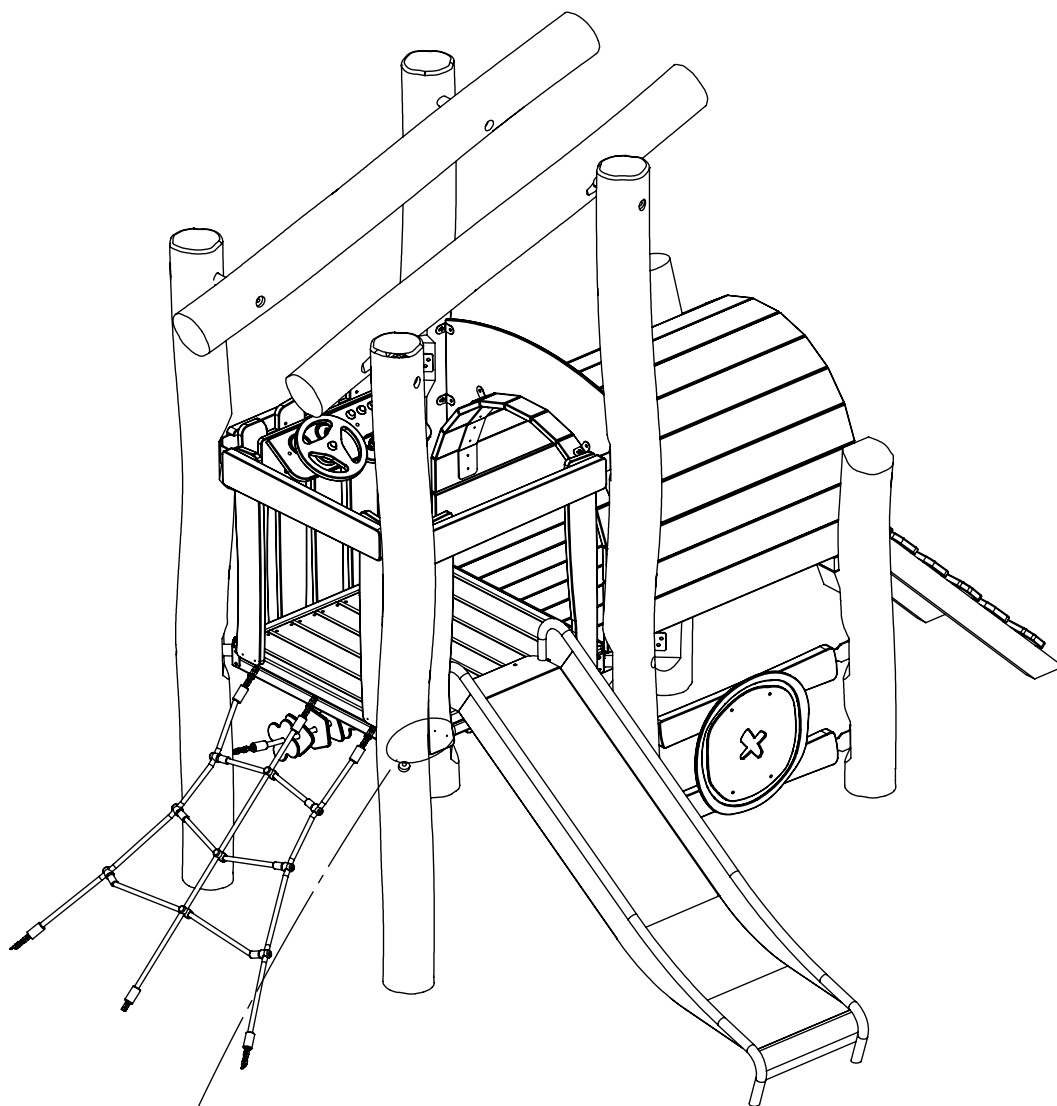
3x 12e052



1x 12e015

[cm]

vinci
play



2,9

vinci play
Art. Nr.

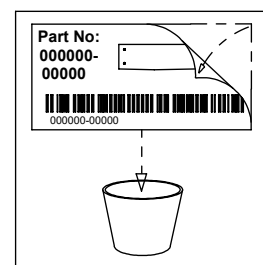
Year
202

EN 1176-1: 2017

Vinci Group Sp. z o.o.
Pogodź, ul. Wolności 2
05-410 Mińsk Mazowiecki
POLAND
+48 42 203 24 80
www.vinci-play.com
www.babyvinci.pl

6,3

V001



[cm]

vinci play