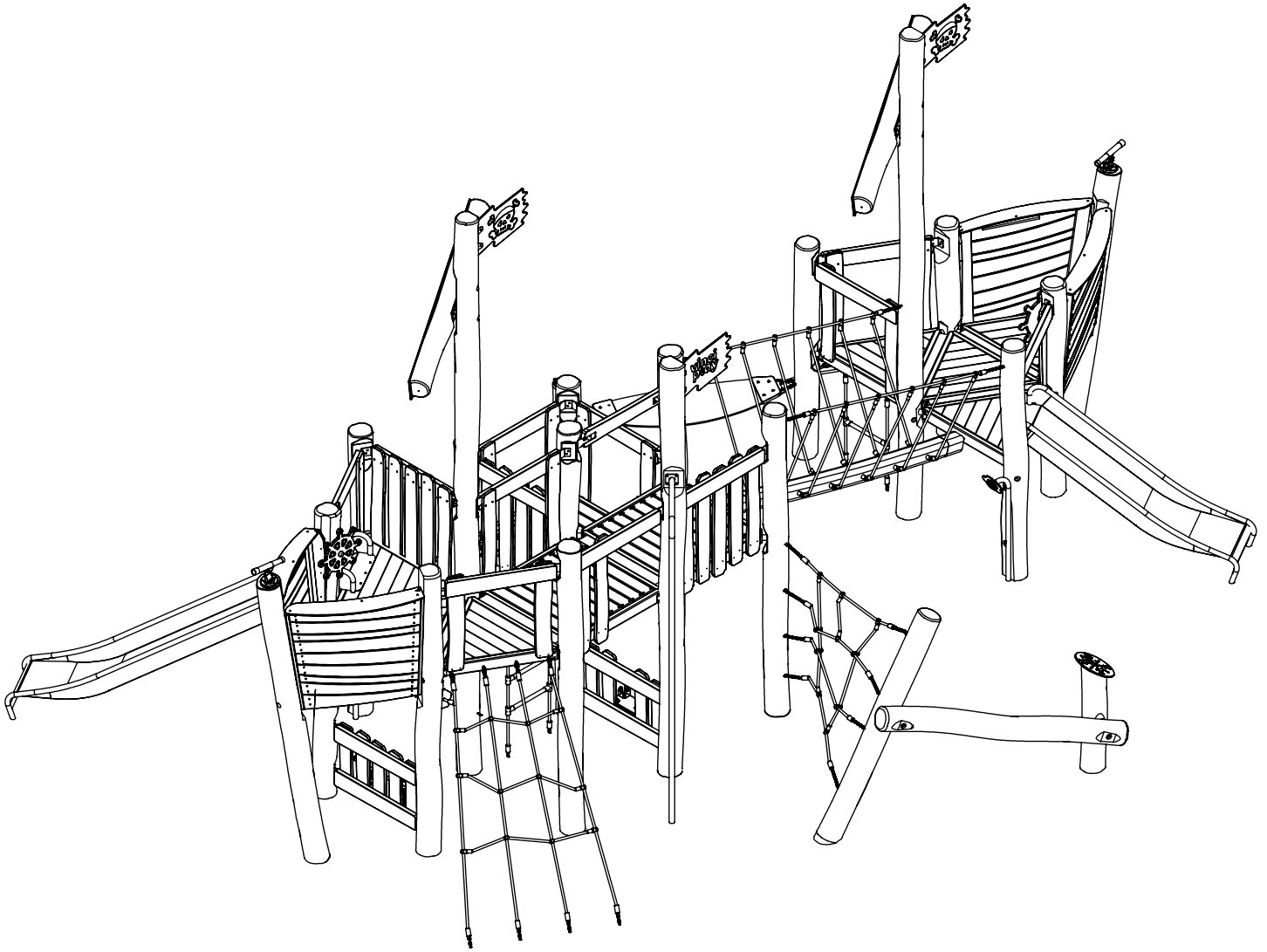


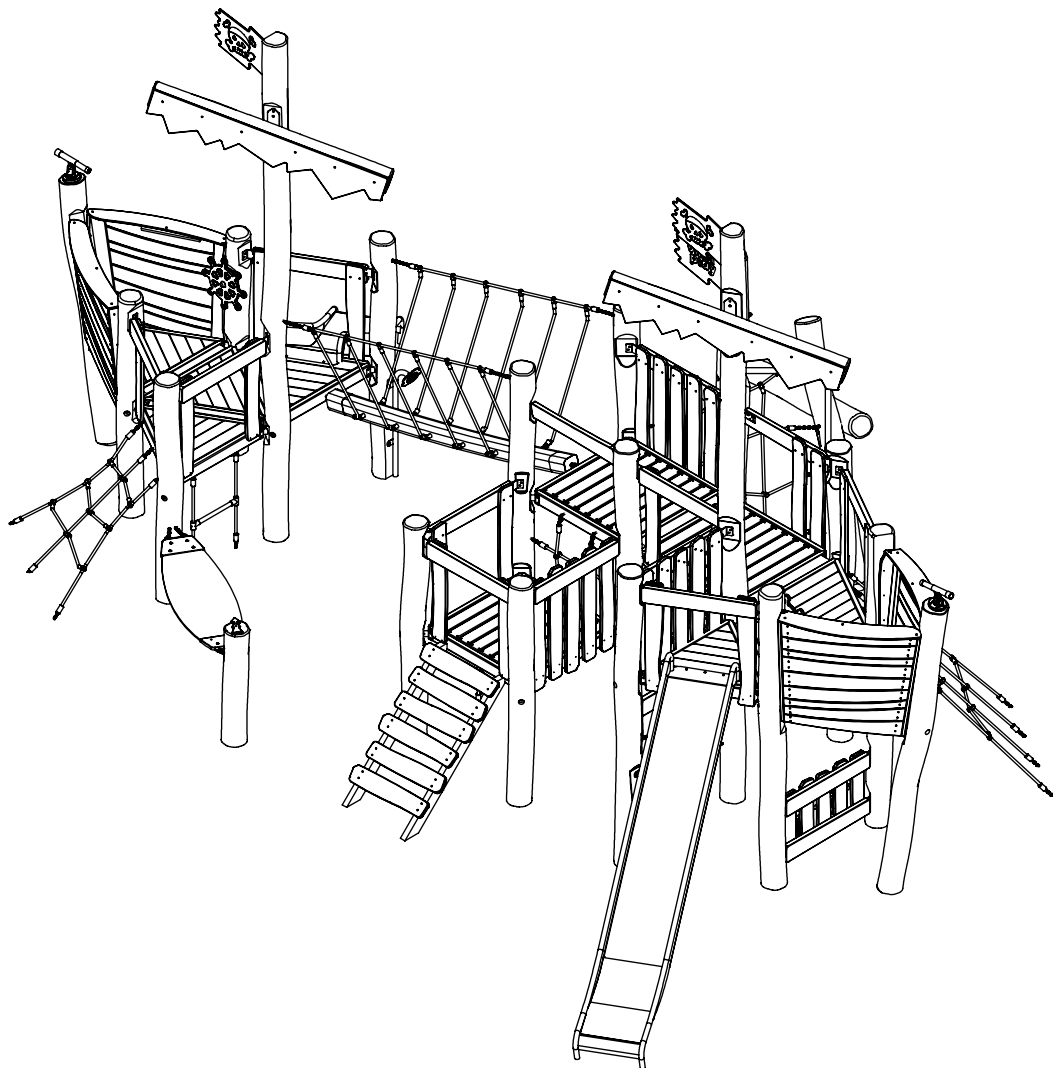
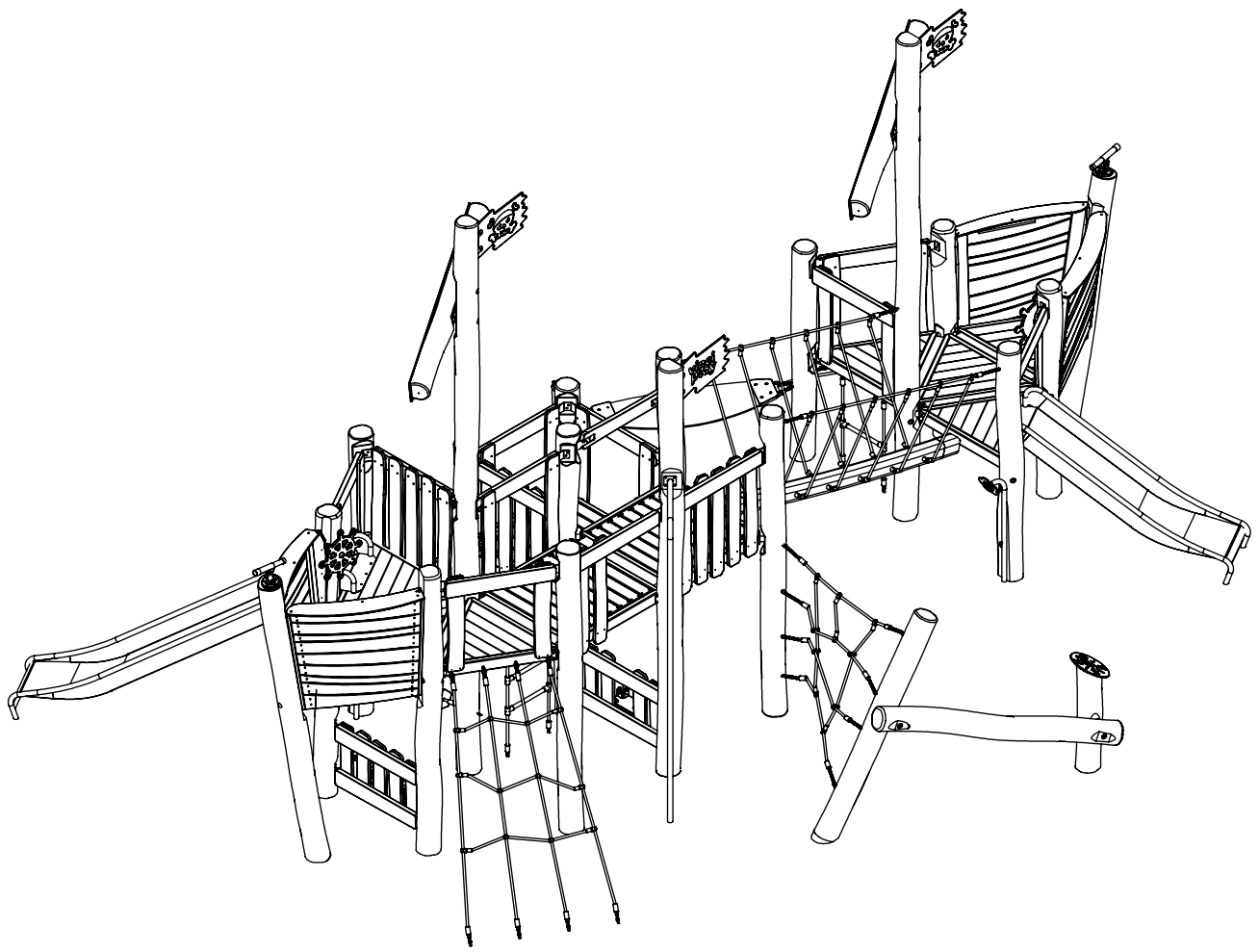
RB1238



EN 1176	12h	4 x			48h 	K21 x21 >0.06m³	K29 x2 >0.06m³	K1 x17 >0.06m³	150 HIC	
	Ø3 	Ø3,5 	Ø4,5 	Ø5,5 	Ø8,5 	Ø10 	Ø17 	Ø24 	3 	4
5 	6 	13 	15 	17 	19 	24 				

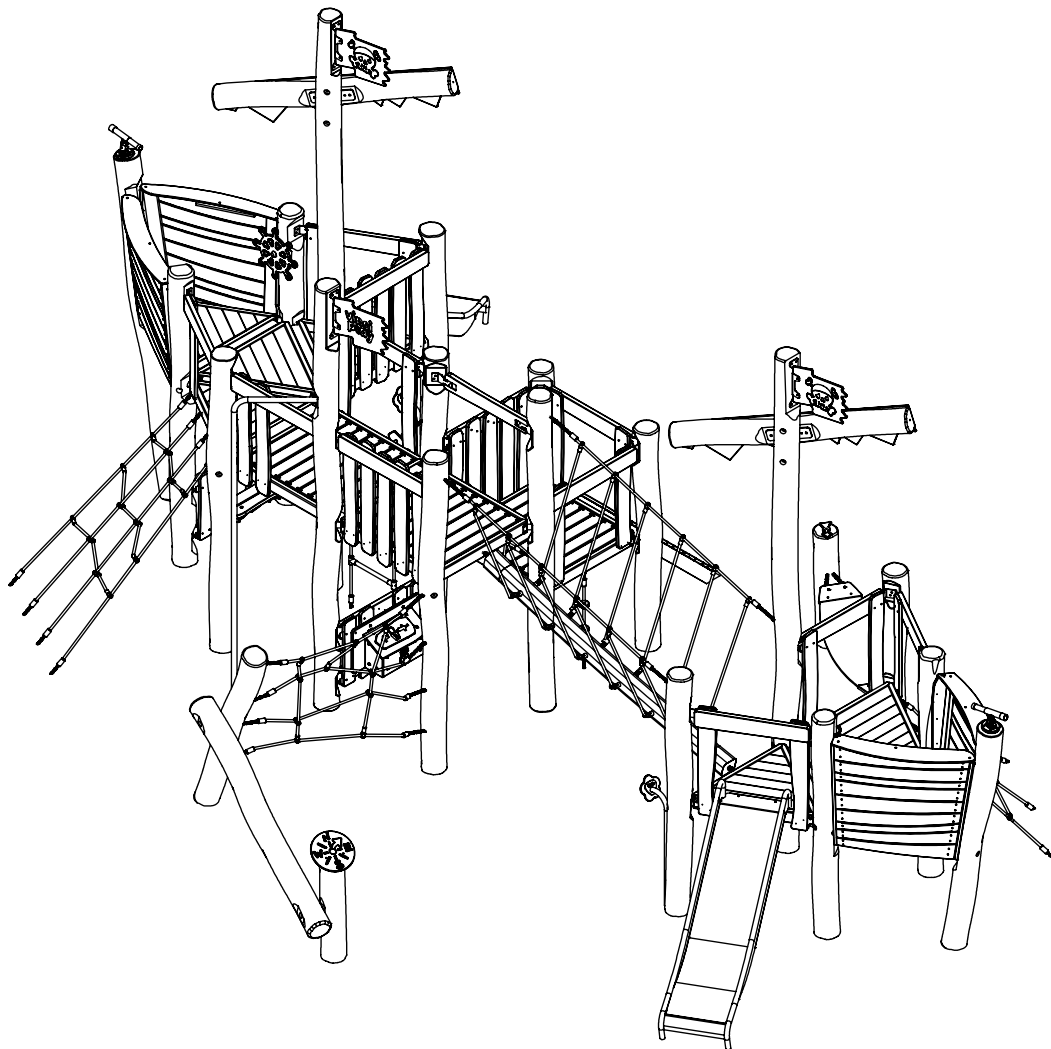
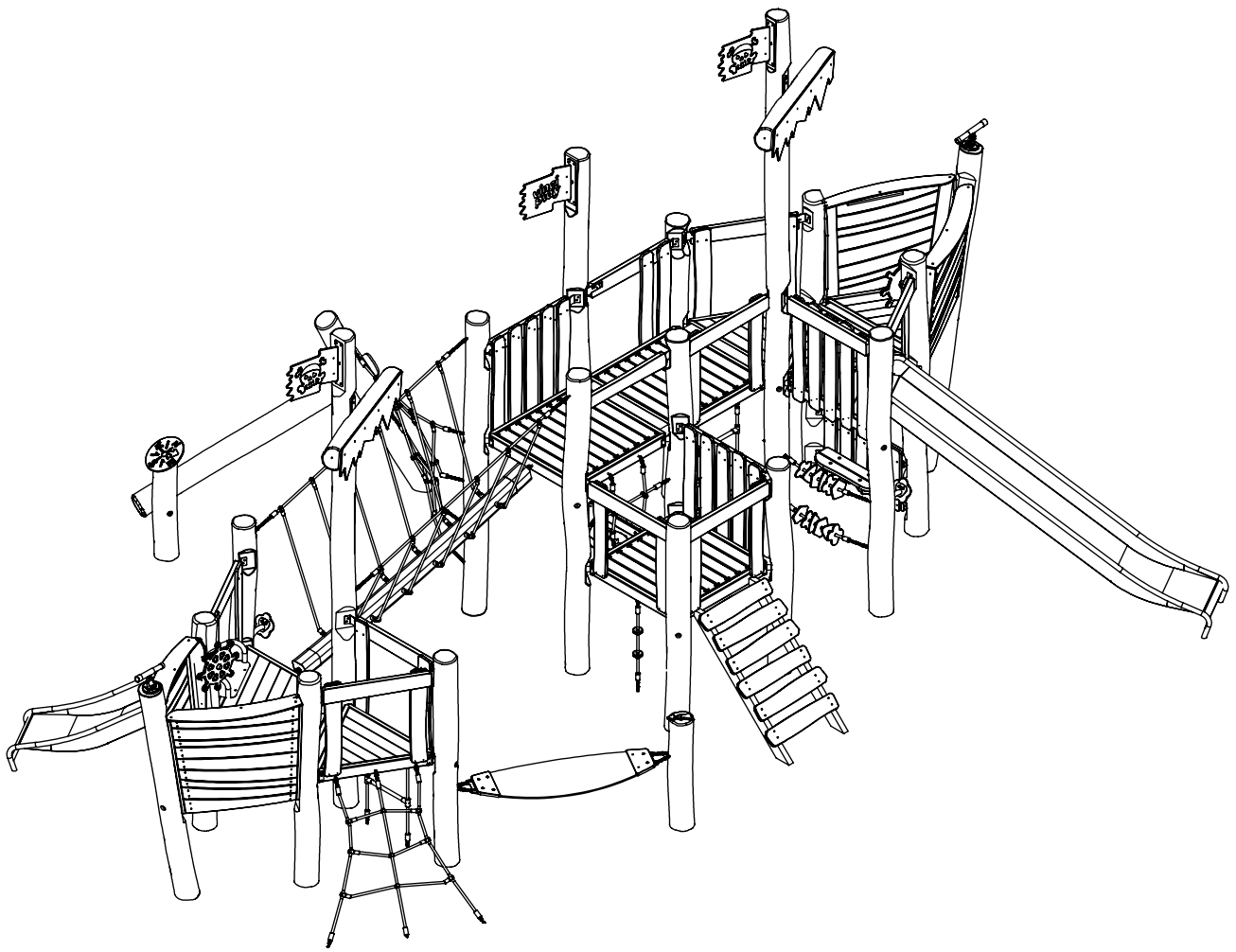
v012
23.02.2022
D. P.
[cm]

vinci
play



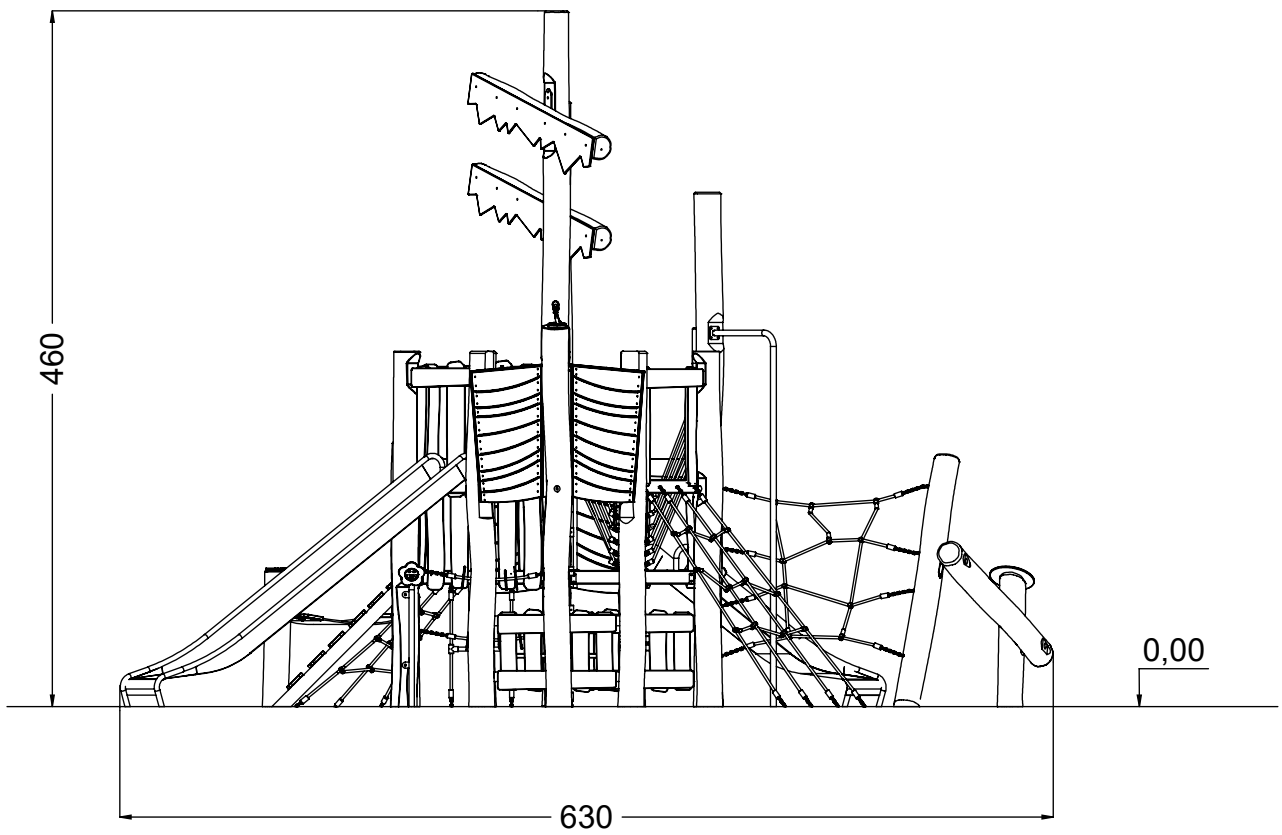
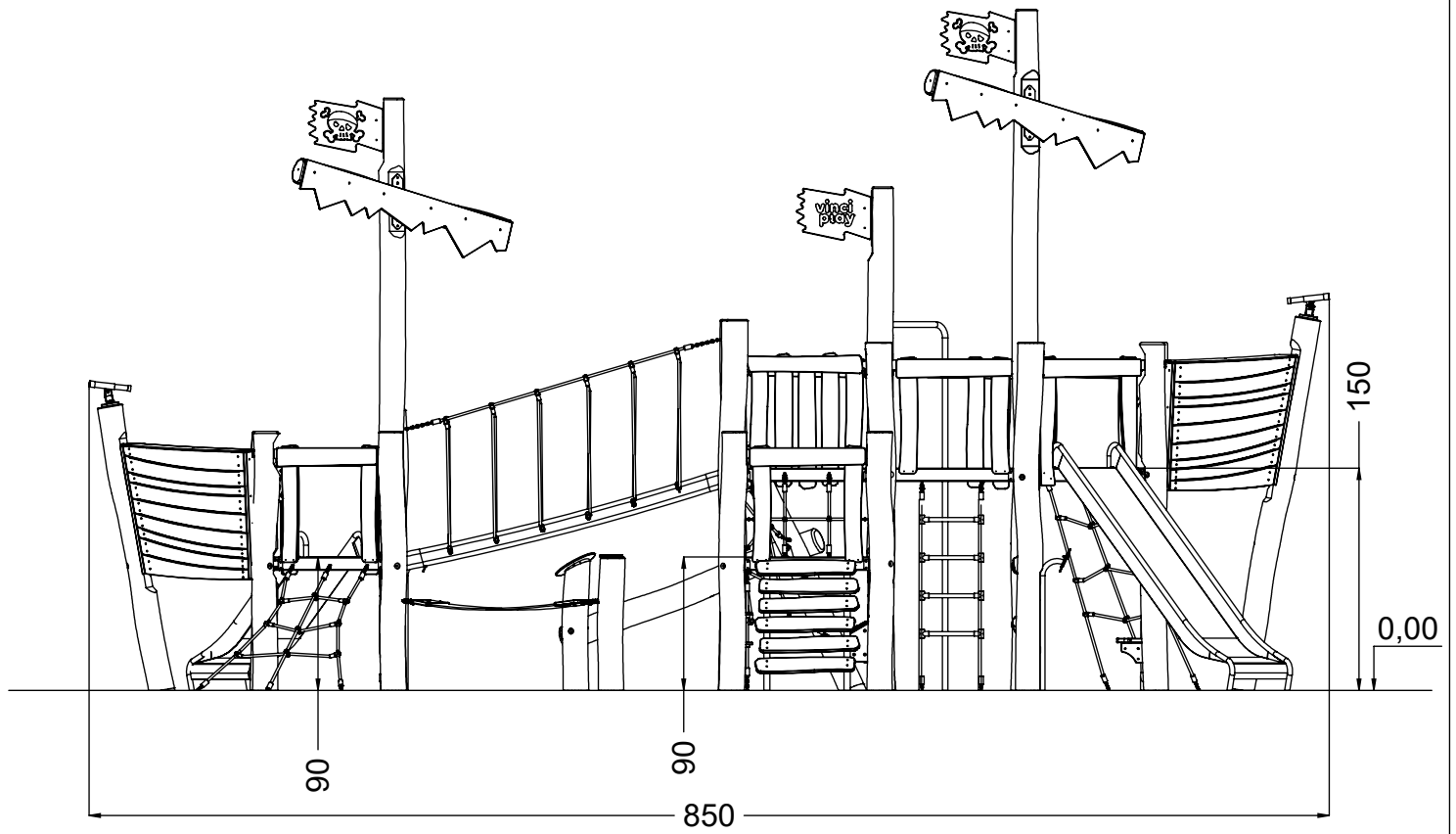
[cm]

vinci
play



[cm]

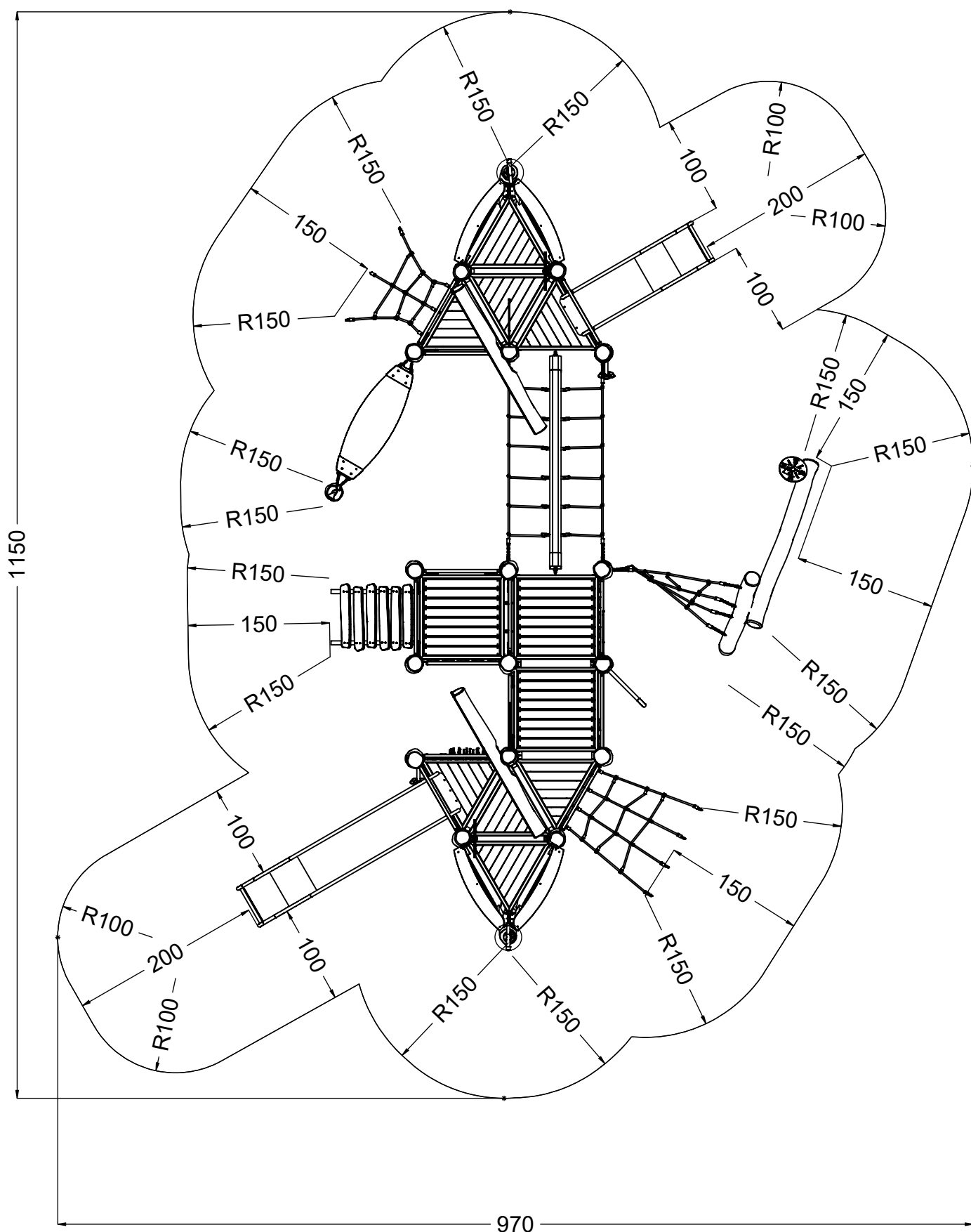
vinci
play



[cm]



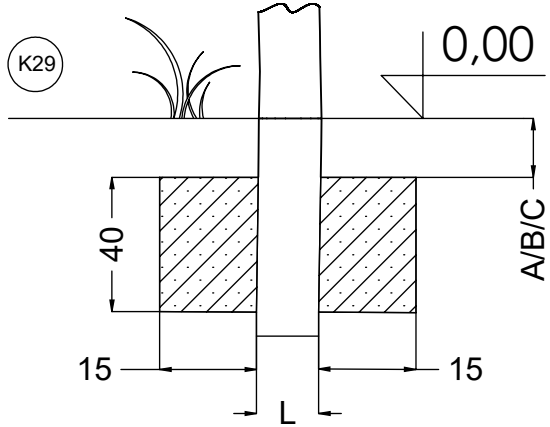
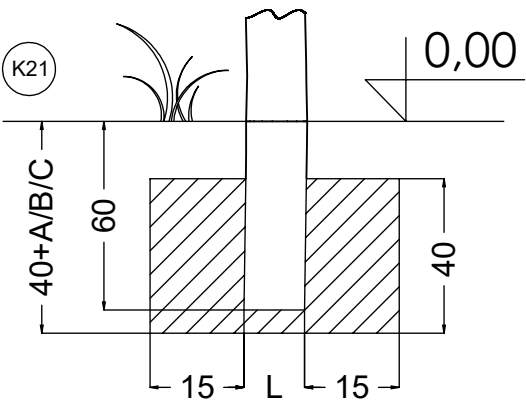
vinci
play



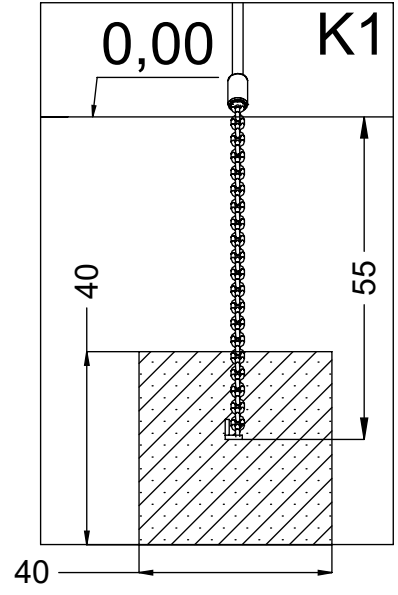
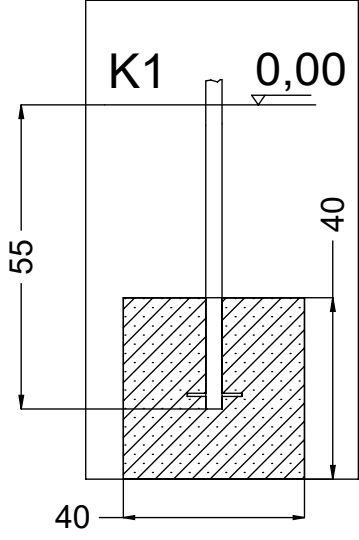
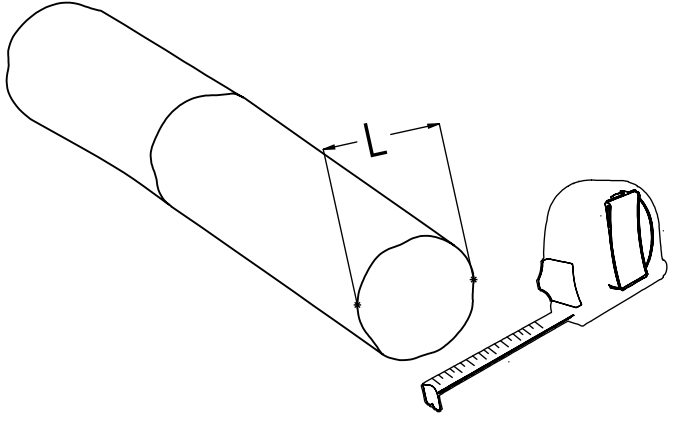
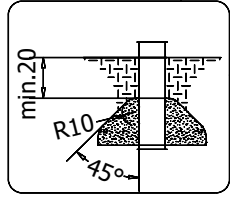
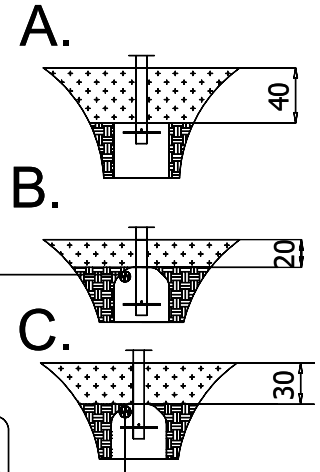
[cm]



vinci
play



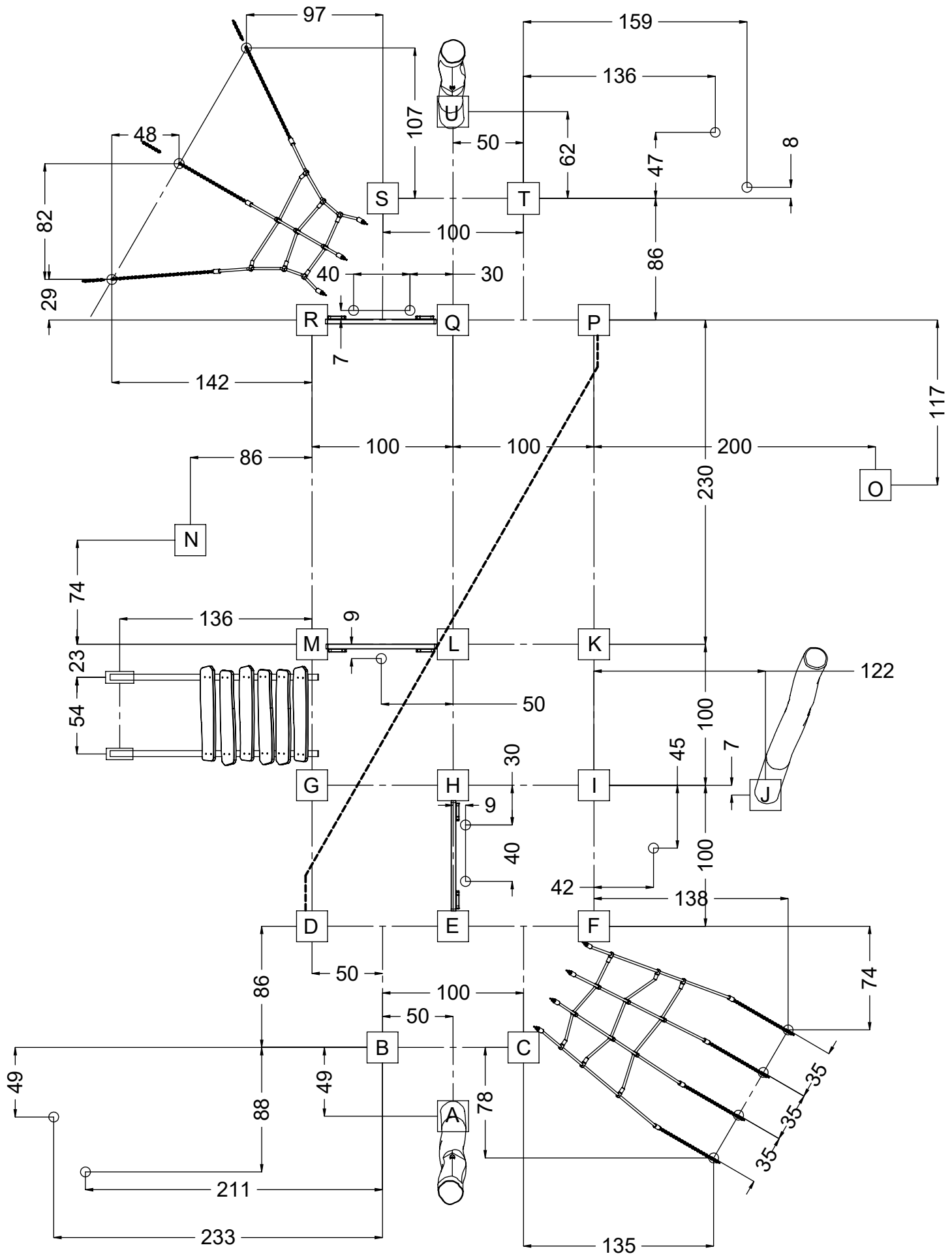
48h

[cm]

 x4
 12h
 
 
 48h
 
 K21 x21 >0.06m³
 K1 x7 >0.06m³

vinci
play



[cm]



12h



vinci
play



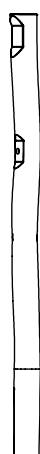
127208 (A)
x1



127209 (B)
x1



127210 (C)
x1



127211 (D)
x1



127212 (E)
x1



127213 (F)
x1



127214 (G)
x1



127215 (H)
x1



127216 (I)
x1



127220 (J)
x1



127219 (K)
x1



127218 (L)
x1



127217 (M)
x1



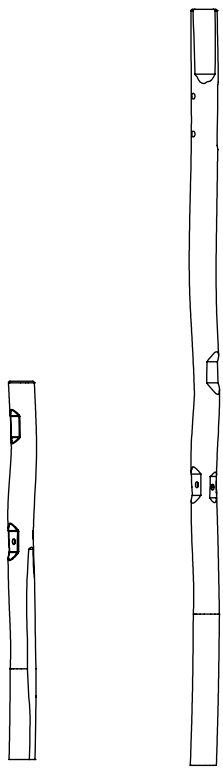
127221 (N)
x1



127222 (O)
x1

[cm]

vinci
play

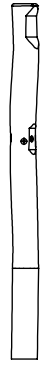


127225 (P)
x1

127224 (Q)
x1



127223 (R)
x1



127226 (S)
x1



127228 (T)
x1



127227 (U)
x1



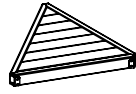
127575
x2



127574
x1



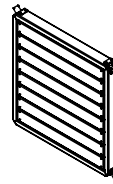
124108
x6



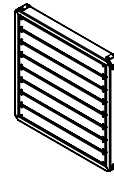
124137
x2



128169
x6



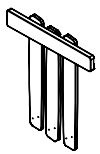
124100
x2



124136
x1



128176
x2



124104
x3



128281
x8



128197
x1



128107
x8



128113
x6



128179
x6



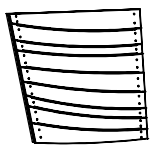
128103
x2



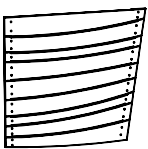
128178
x2



128168
x1



124166
x2



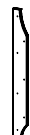
124167
x2



128152
x4



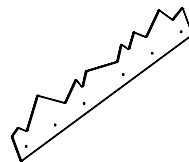
128249
128137
x2



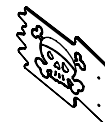
128250
128165
x2



141267
x1



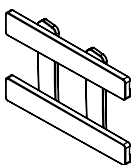
121108
x2



121111
x2



121120
x1



124171
x1



121168
x2



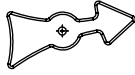
121169
x2

[cm]

vinci
play



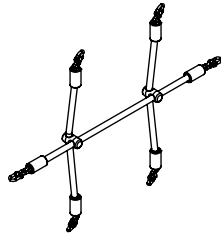
991106
x2



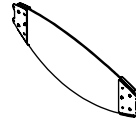
171158
x1



124116
x2



125109
x1



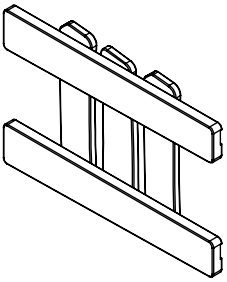
124128
x1



142121
x2



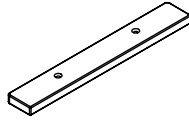
(L=460)
996115
x1



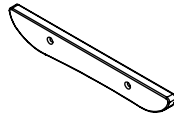
124111
x1



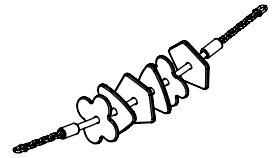
128194
x4



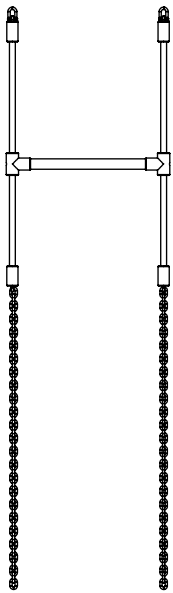
128102
x1



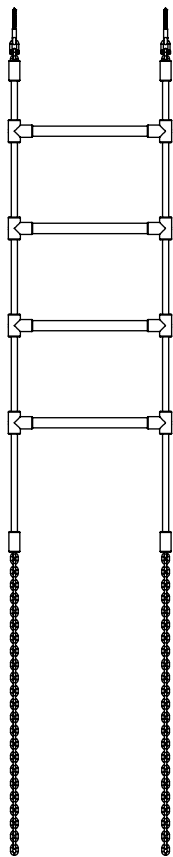
128106
x1



124112
x2



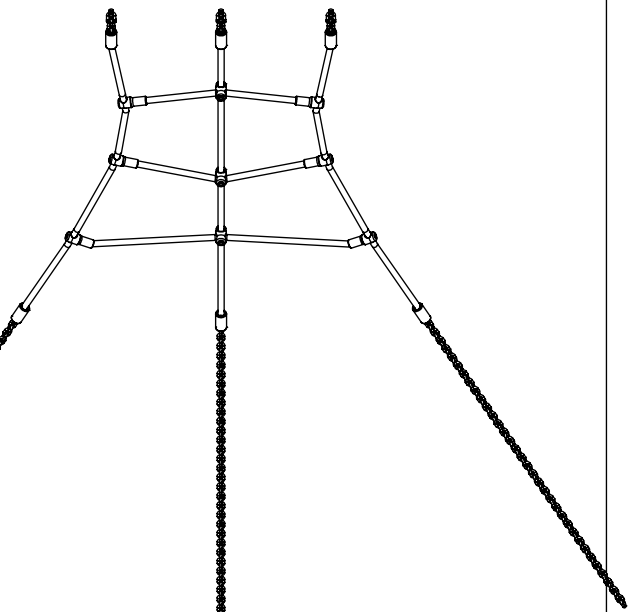
125111
x1



125136
x1



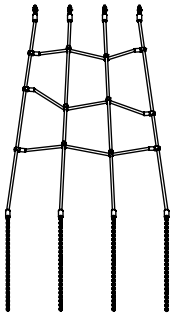
125110
x1



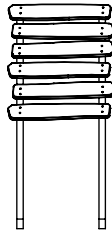
125100
x1

[cm]

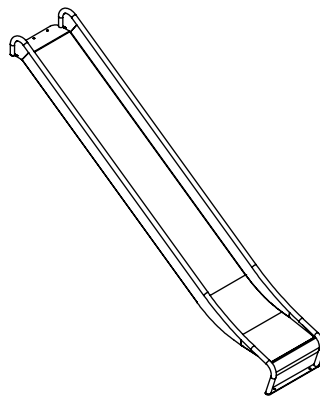
vinci
play



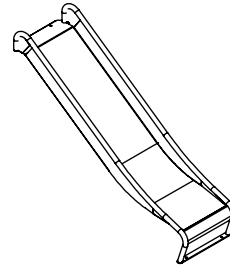
125108
x1



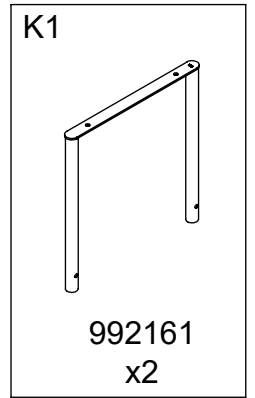
124109
x1



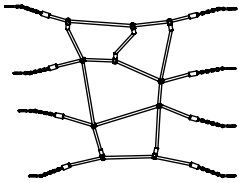
994170
x1



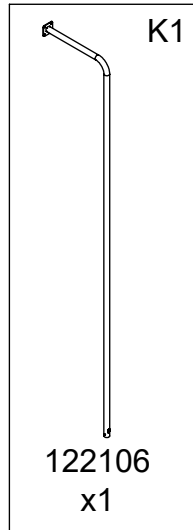
994172
x1



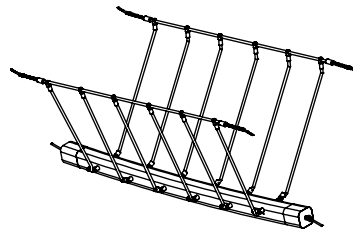
992161
x2



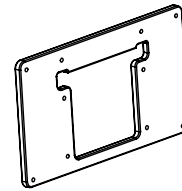
125101
x1



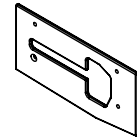
122106
x1



124125
x1



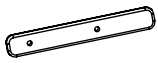
121151
x1



121158
x1



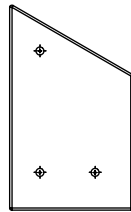
121157
x1



121156
x1



121155
x1



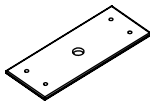
121159
x2



121160
x1



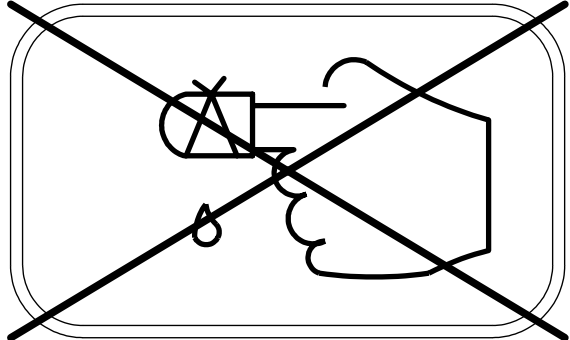
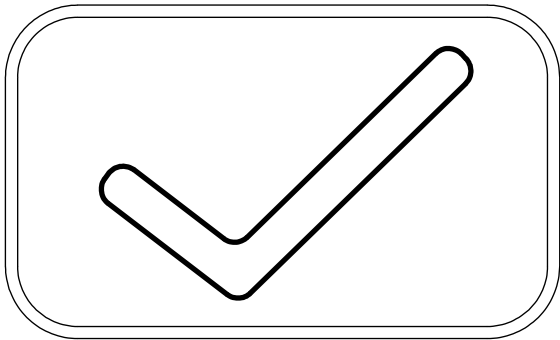
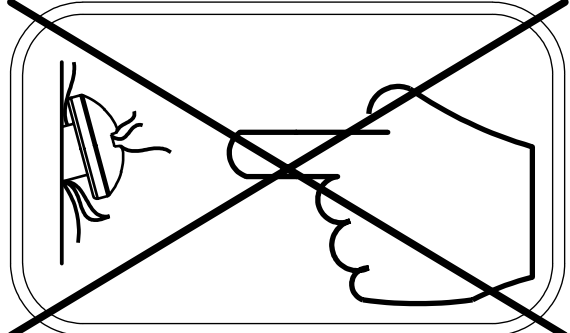
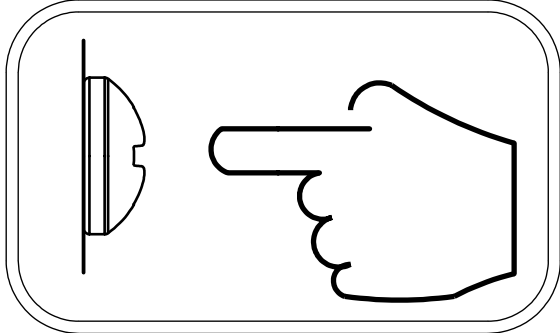
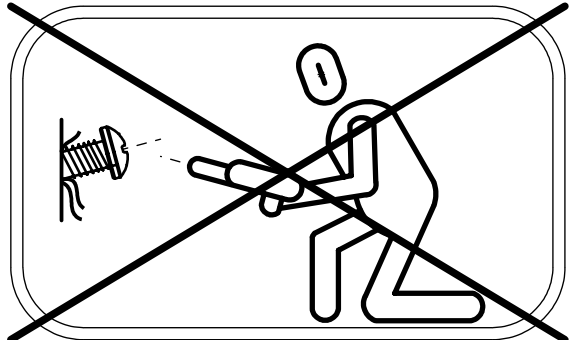
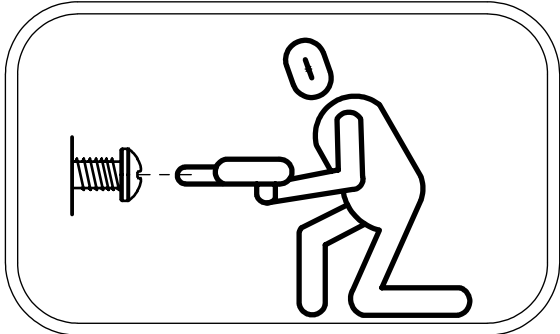
121162
x1

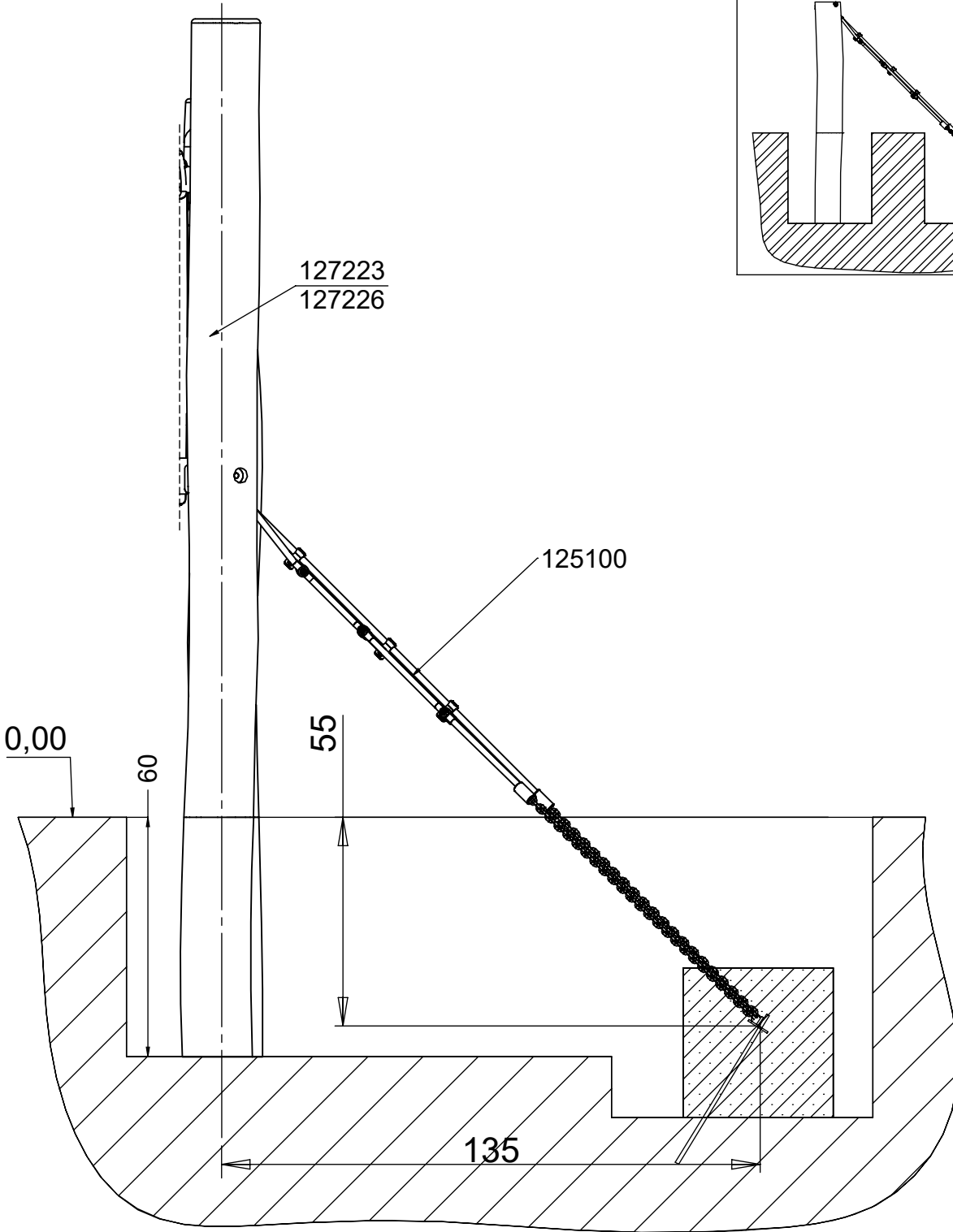
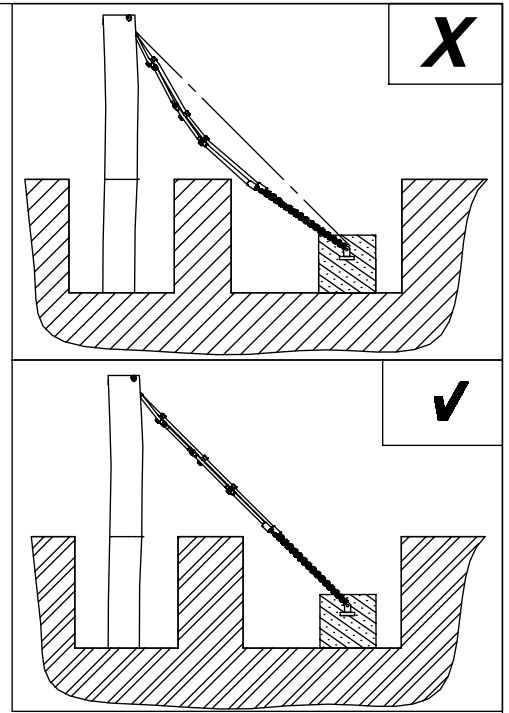


121161
x1

6x	12e003
2x	12e004
1x	12e006
14x	12e007
2x	12e009
2x	12e010
3x	12e012
1x	12e014
3x	12e015
1x	12e019
1x	12e022
1x	12e024
2x	12e030
1x	12e051
12x	12e052
1x	12e054
2x	12e076
1x	12e087
1x	12e089
2x	Z18
18x	b389
2x	b390
2x	b392
8x	b399
2x	b405
2x	b439
1x	GL
1x	V001

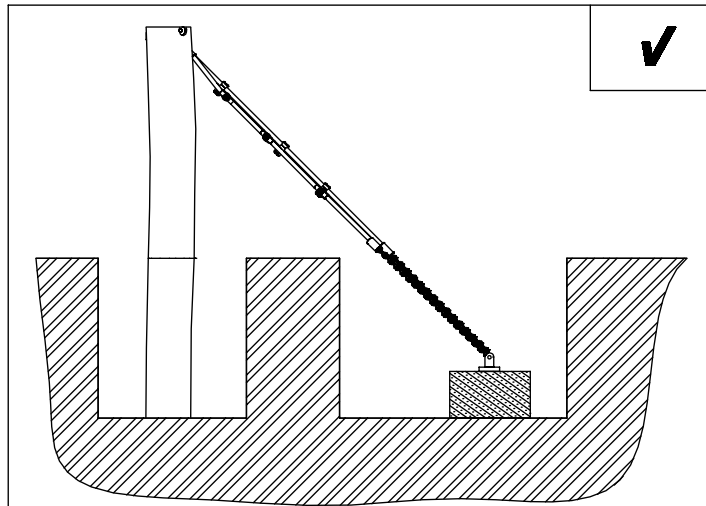
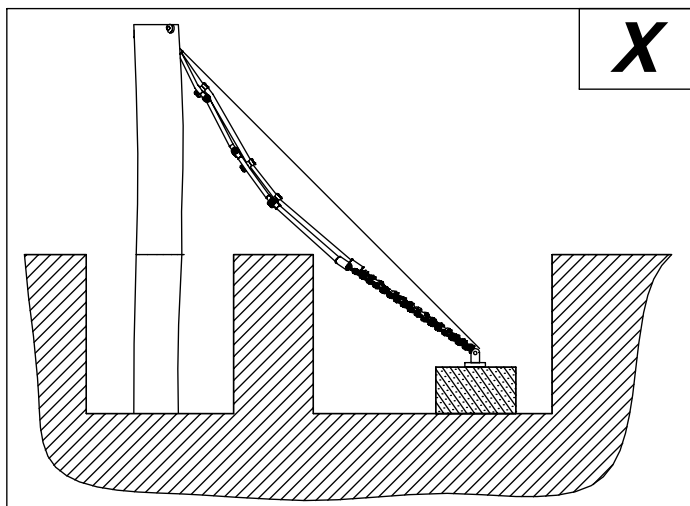
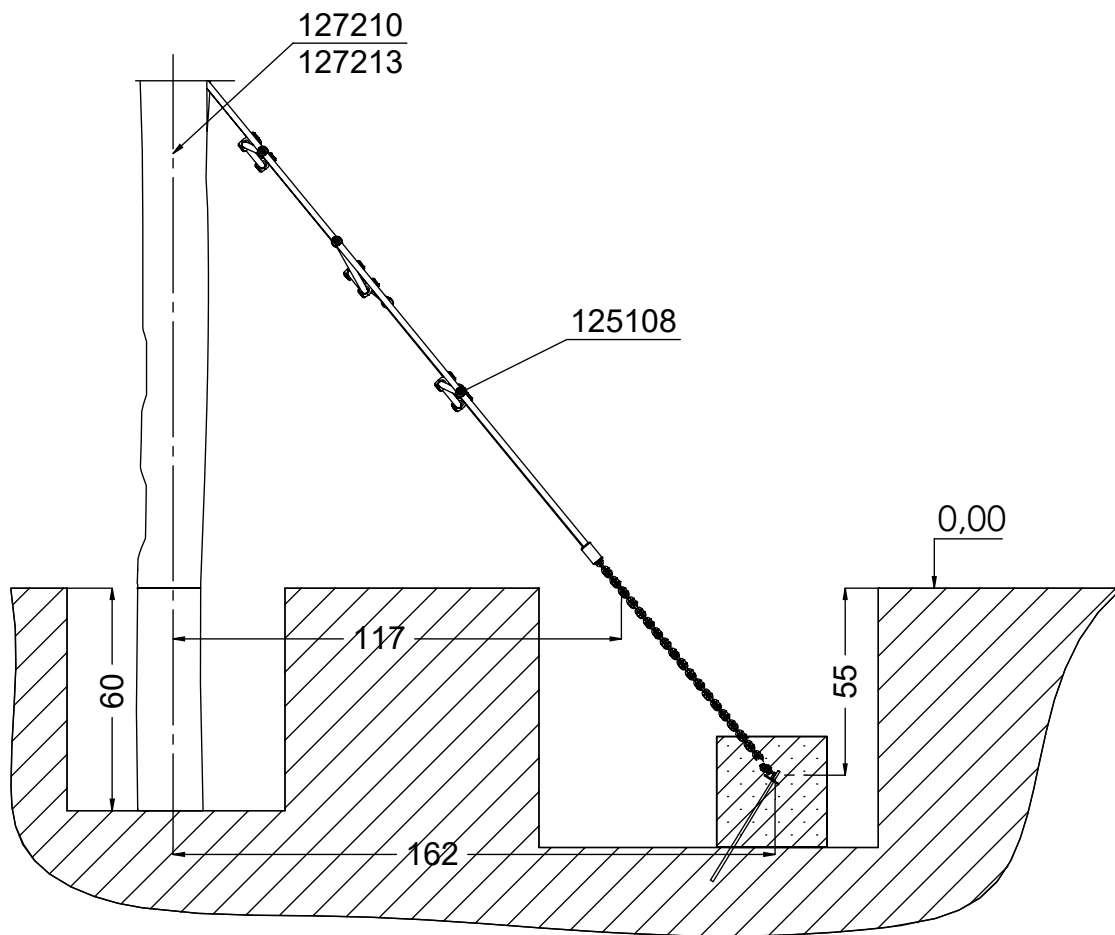
102x	5x30sxs
182x	5x50sxs
34x	5x80sxs
1x	7x35sxi
120x	8x50sxi
18x	8x80sxt
21x	8x160sxt





[cm]

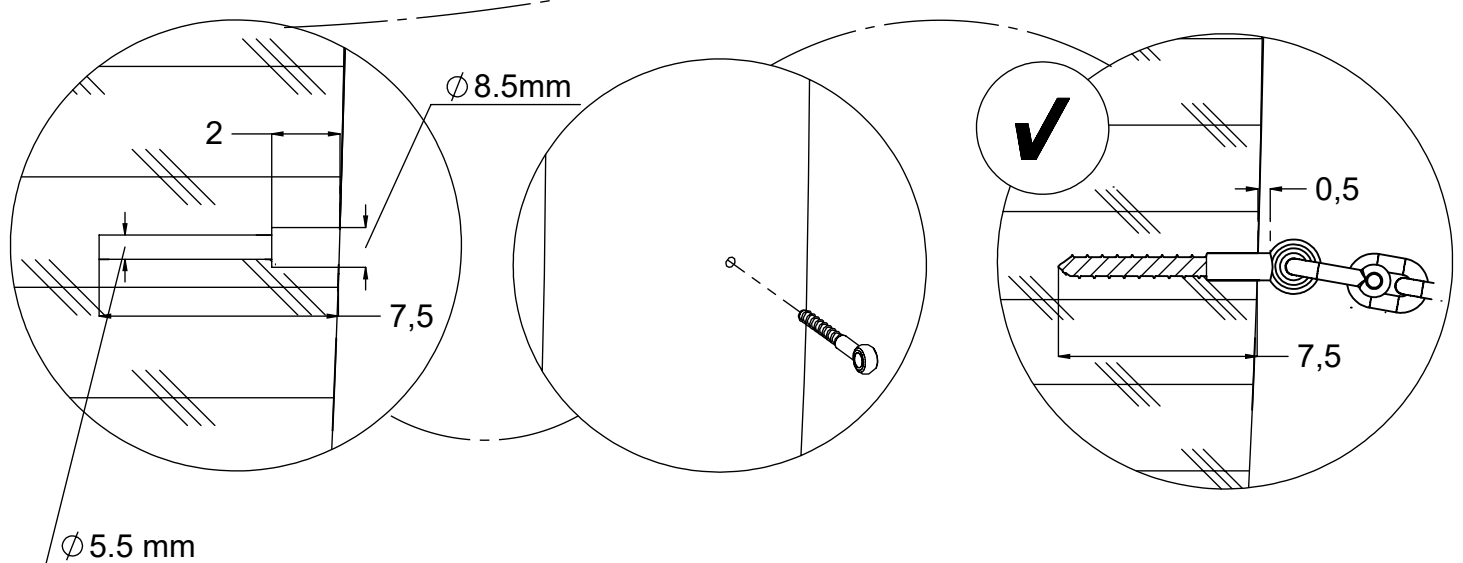
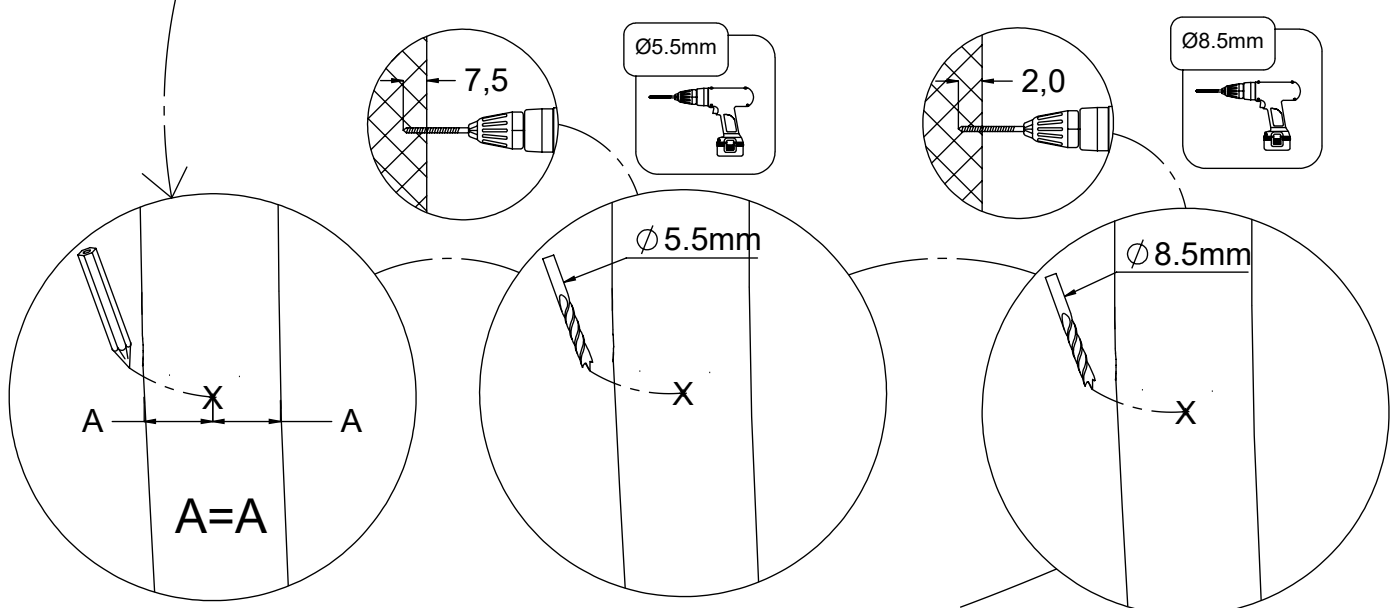
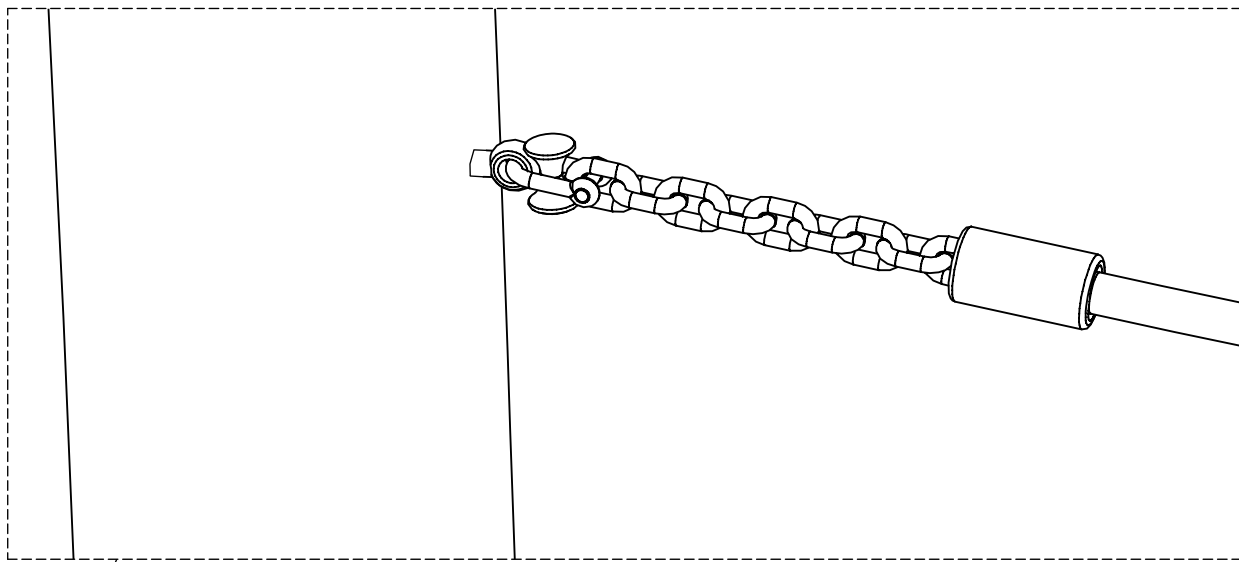
vinci
play



[cm]



vinci
play



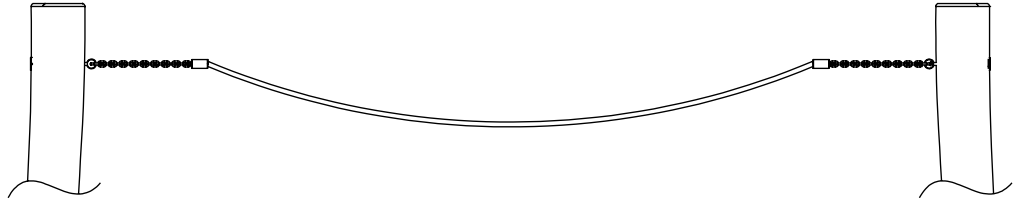
[cm]

vinci
play

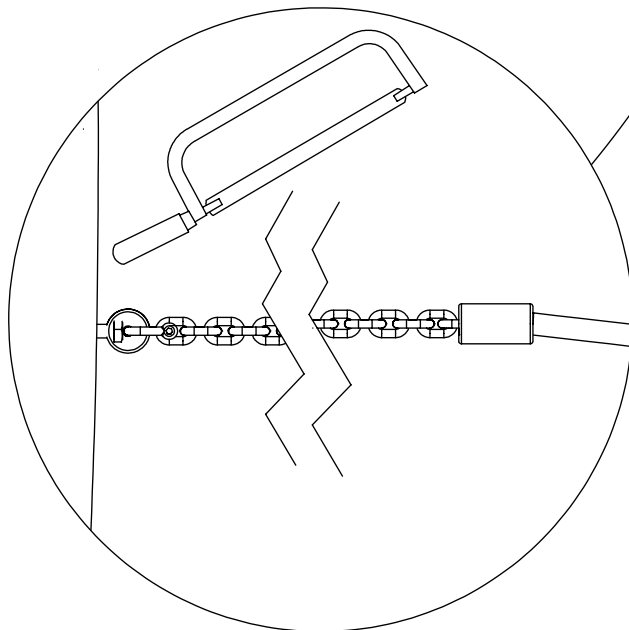
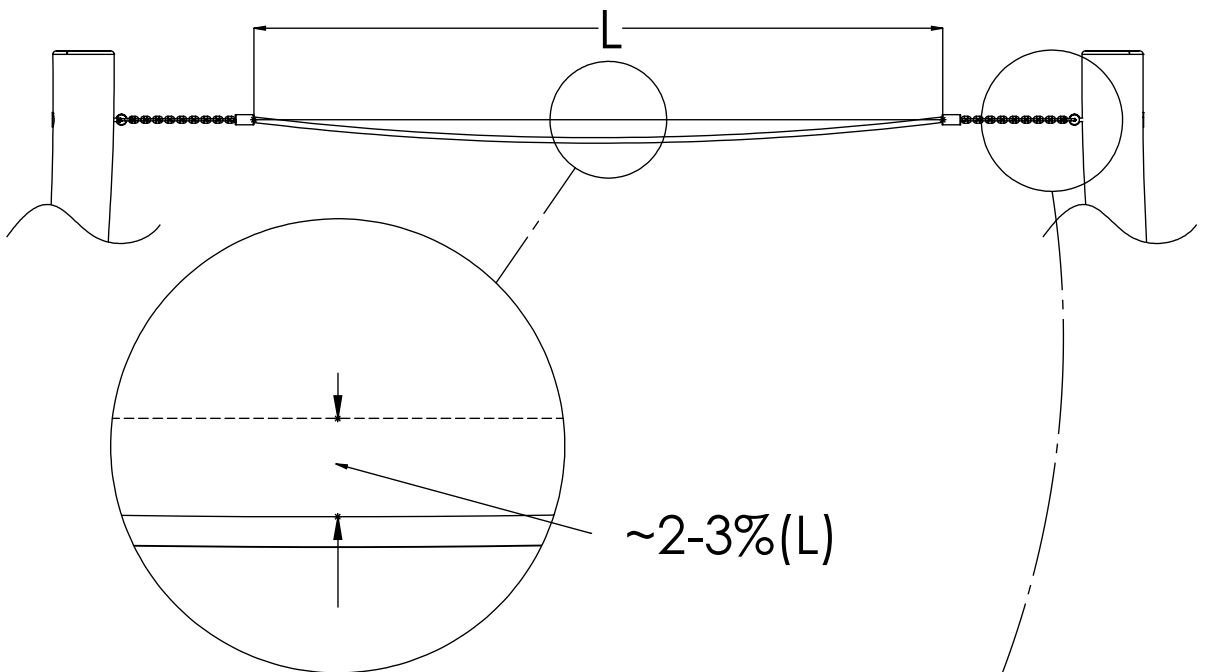
X

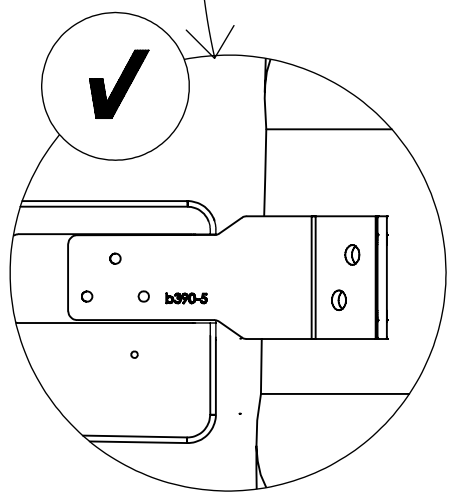
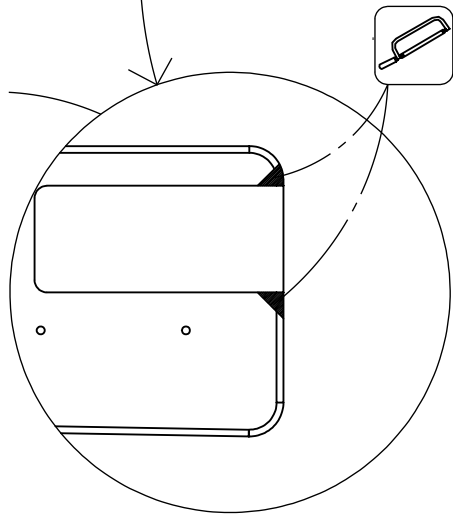
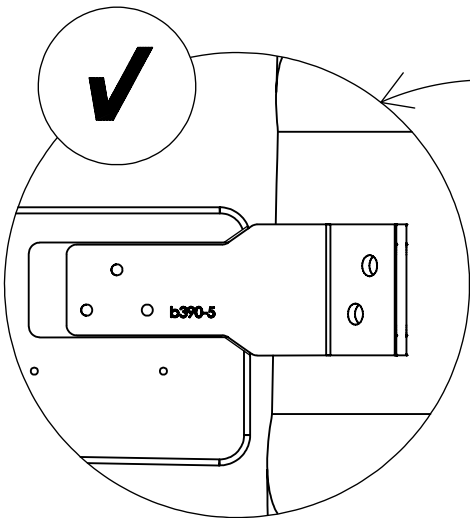
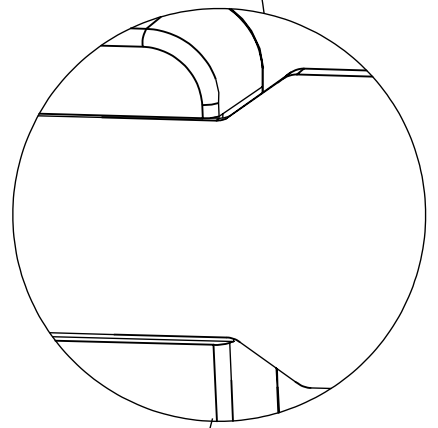
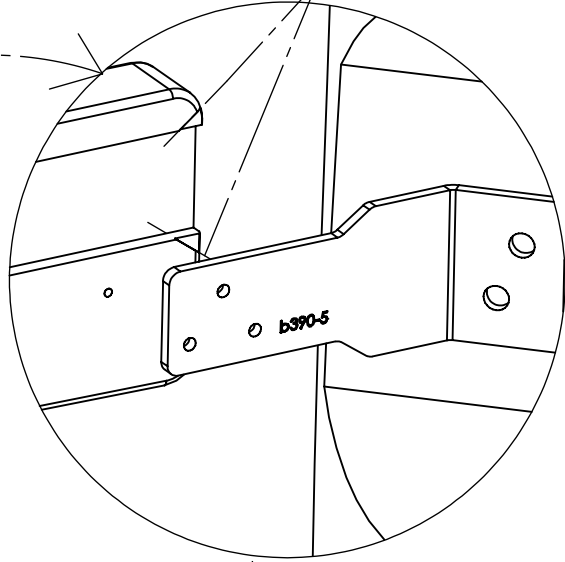
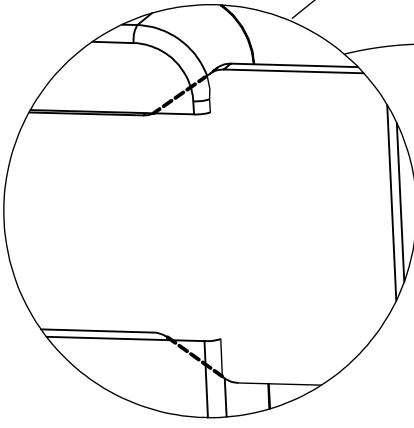
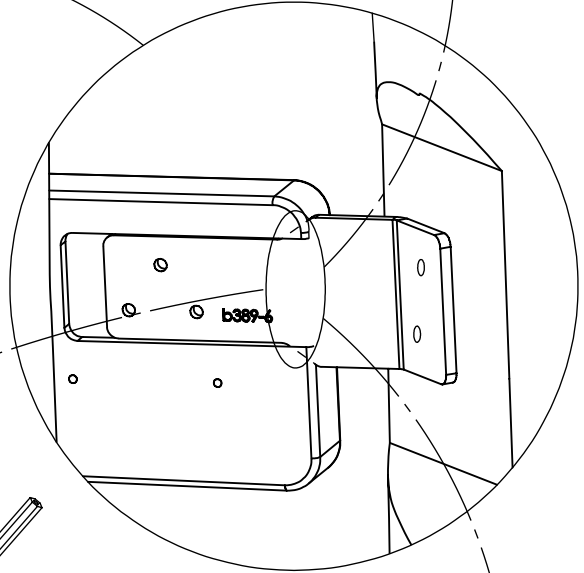
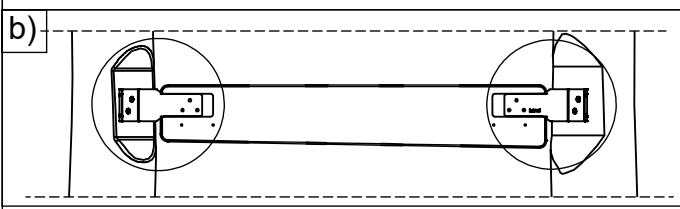
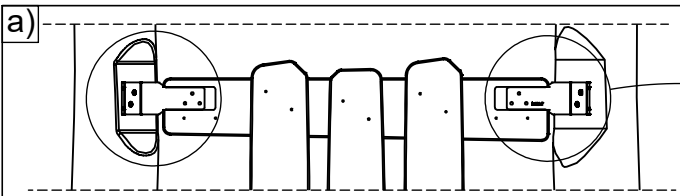


X



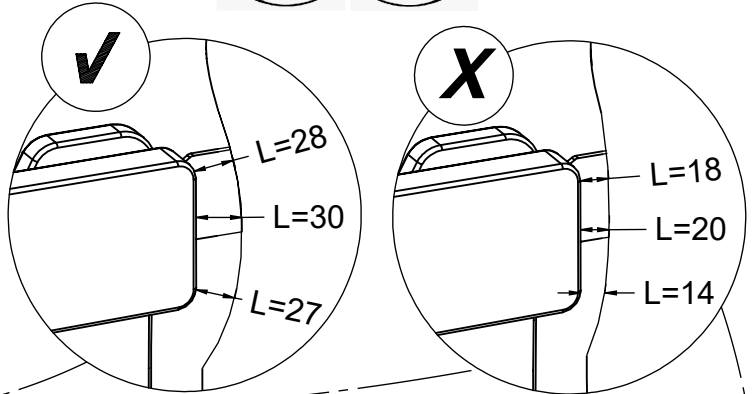
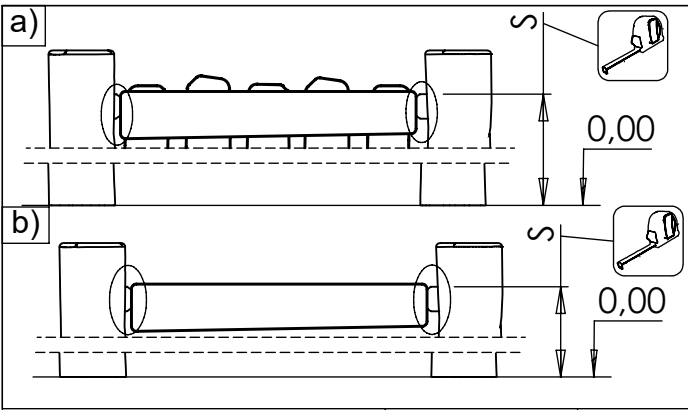
V





[cm]

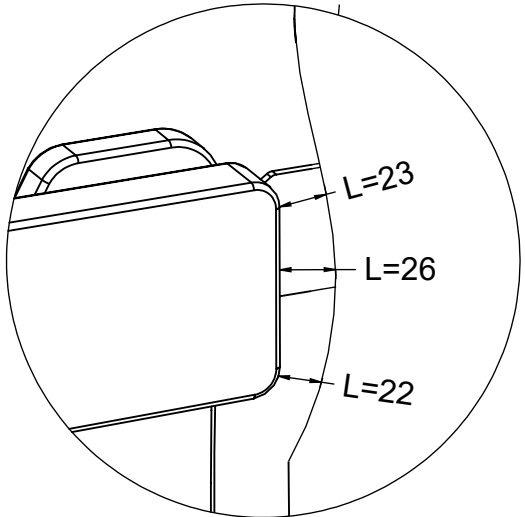
vinci
play



S < 97

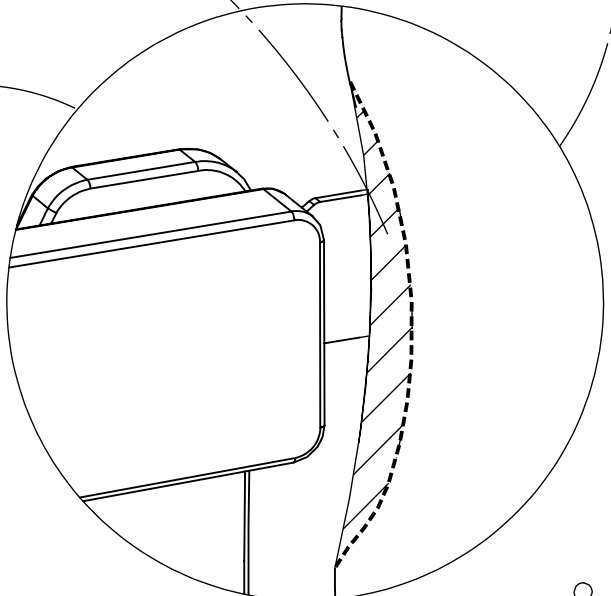
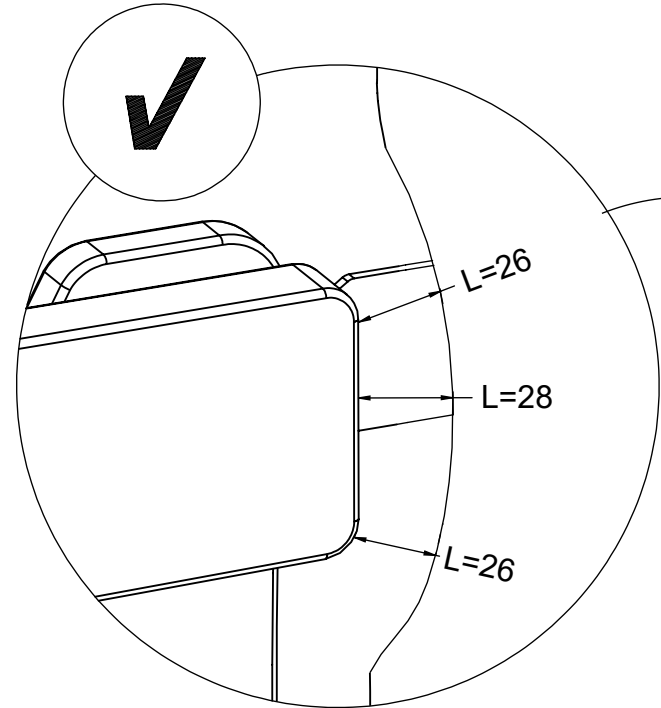
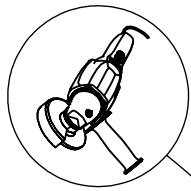
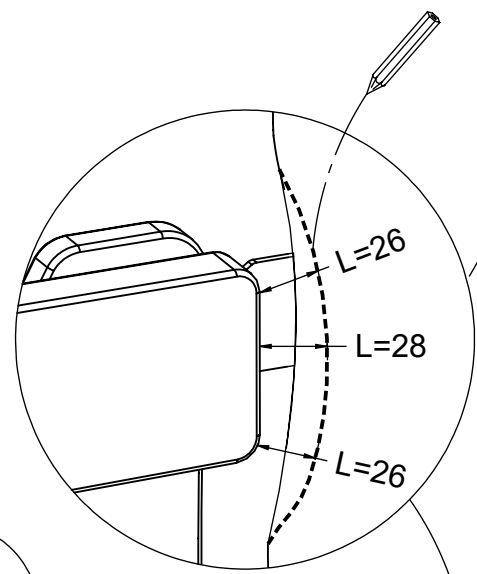
S > 97

L > 25mm **✓** L < 30mm **X**



L > 25mm **✓**

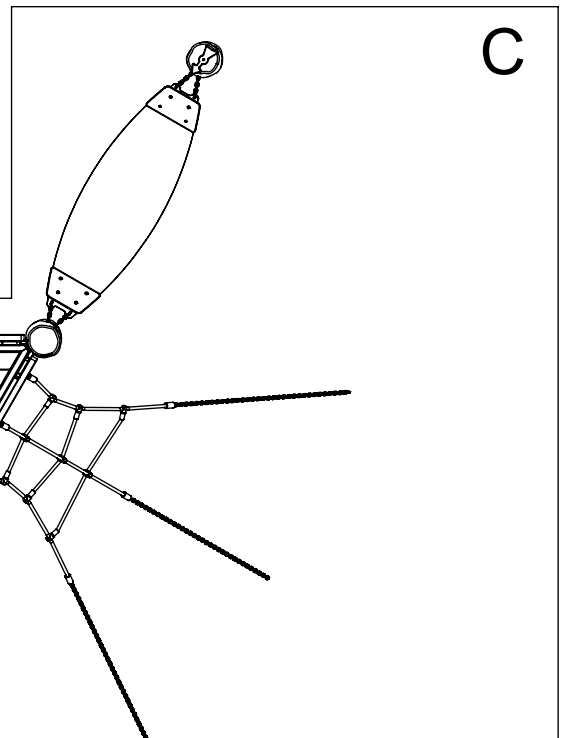
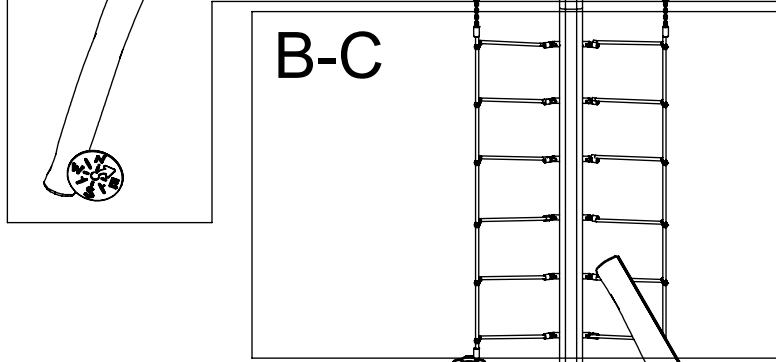
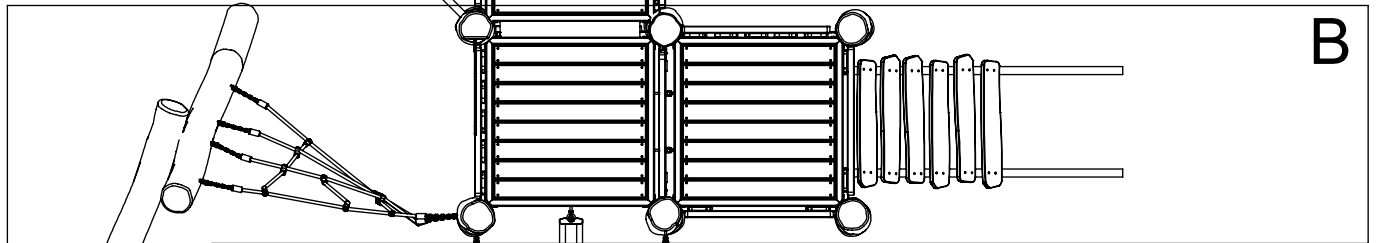
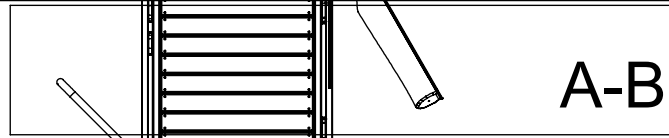
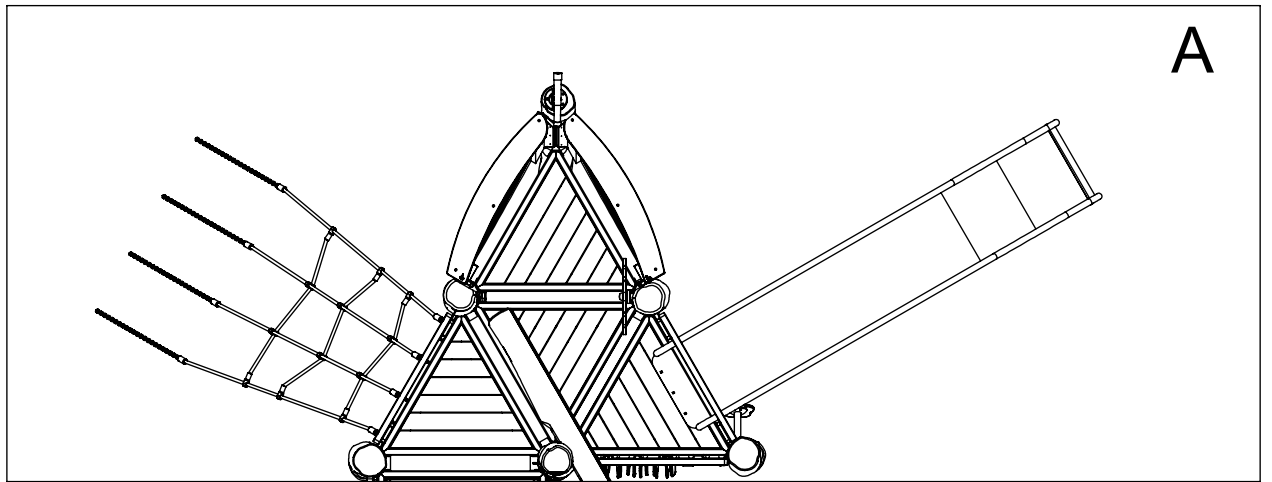
L ≤ 25mm **✓**



L > 30mm **✓** 

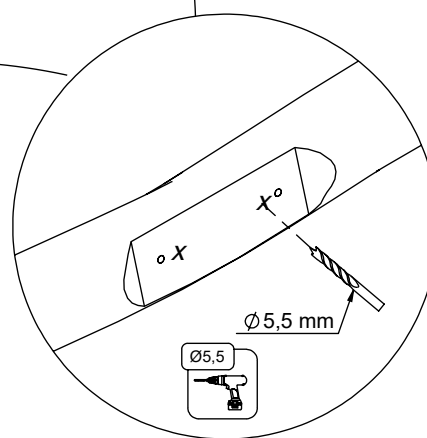
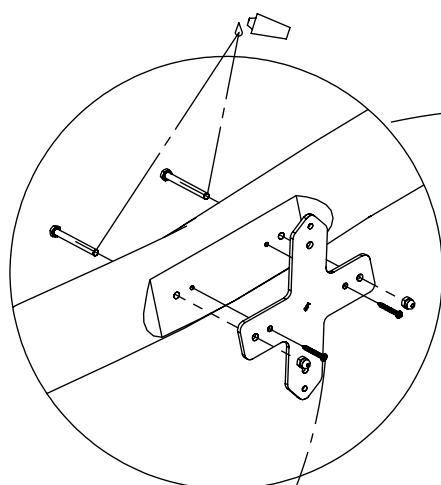
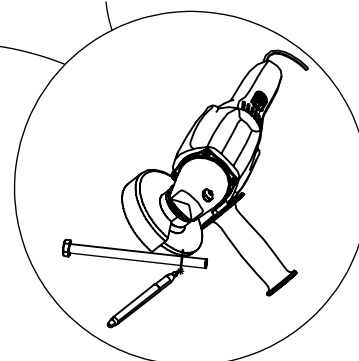
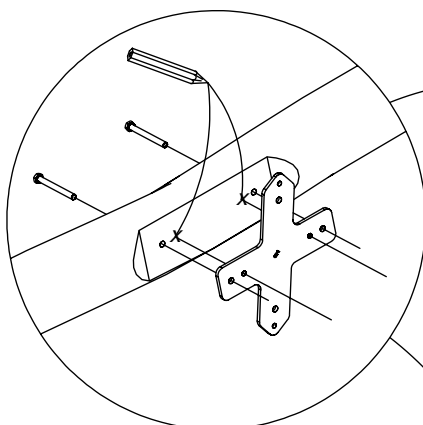
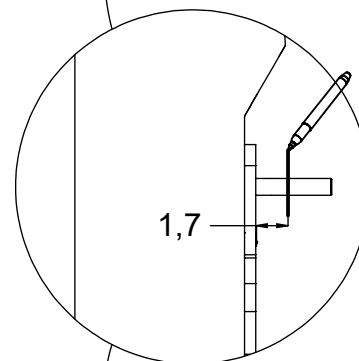
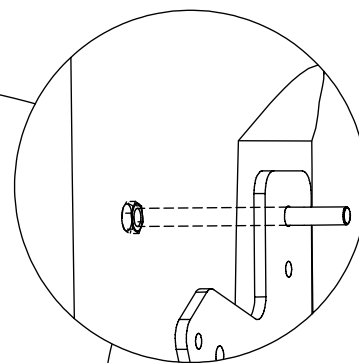
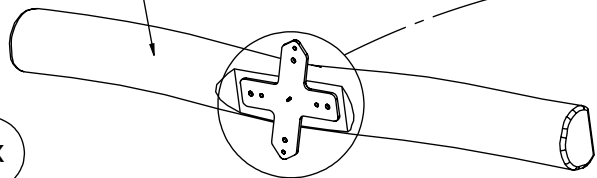
[cm]

vinci play



2x 127575

2x



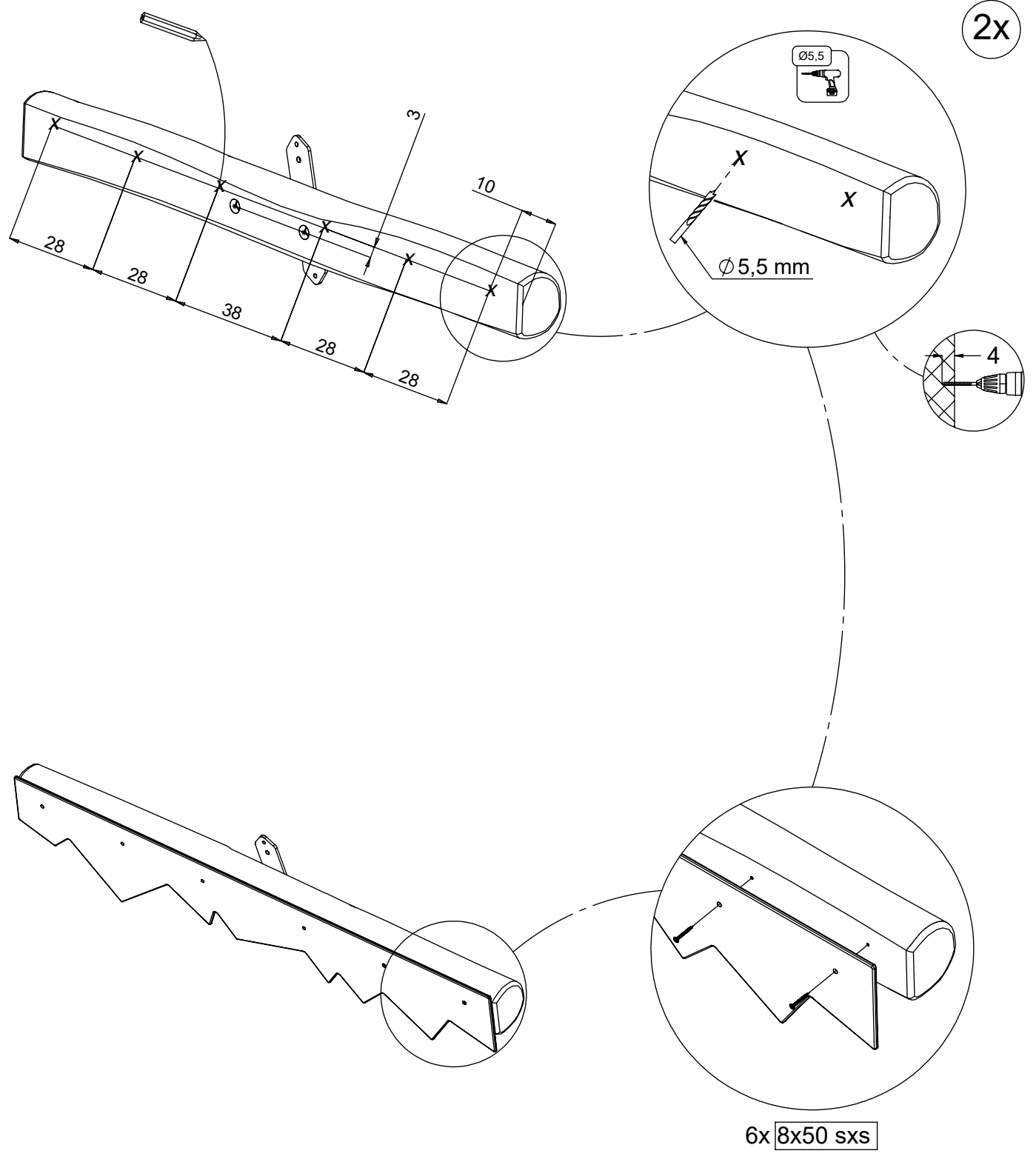
2x 8x50 sxi

12e009

[cm]

vinci
play

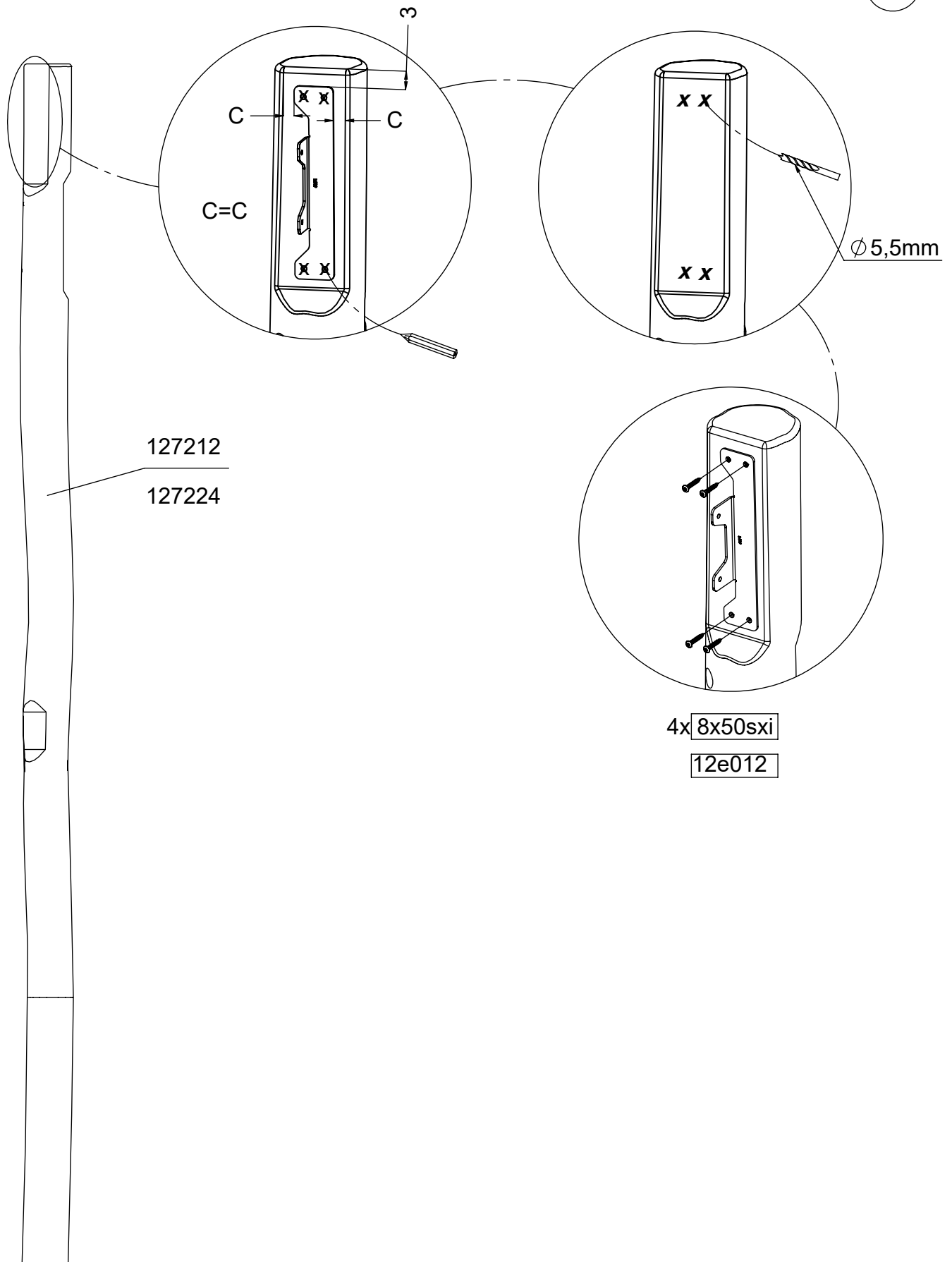
2x



[cm]

vinci
play

2x



127212

127224

4x 8x50sxi

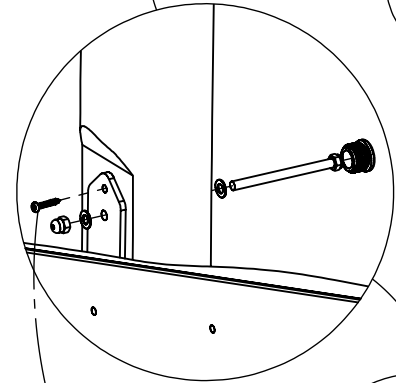
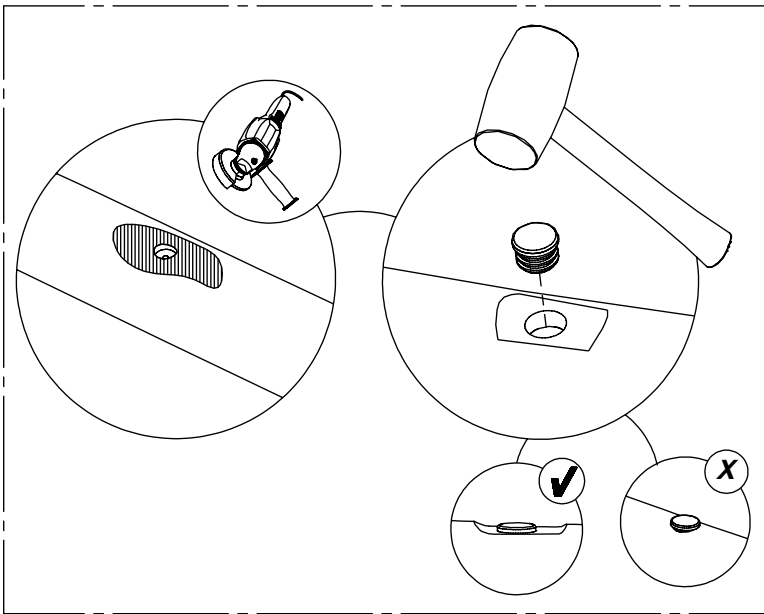
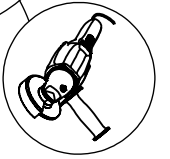
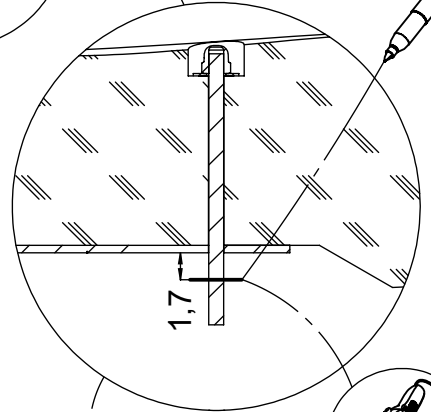
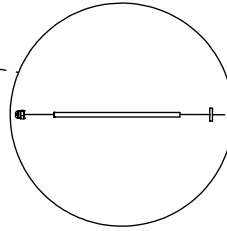
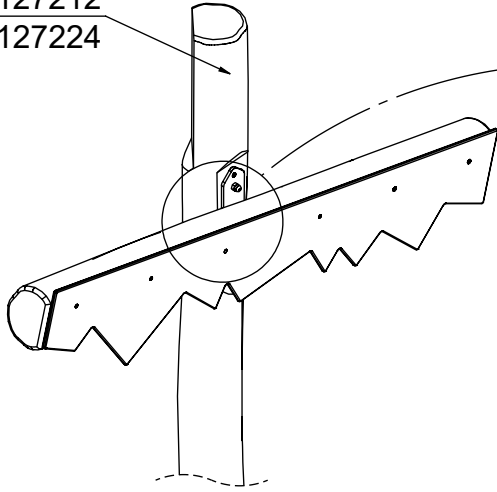
12e012

[cm]

vinci
play

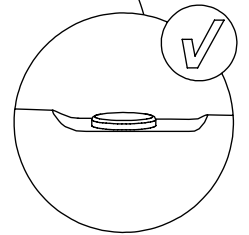
127212
127224

2x

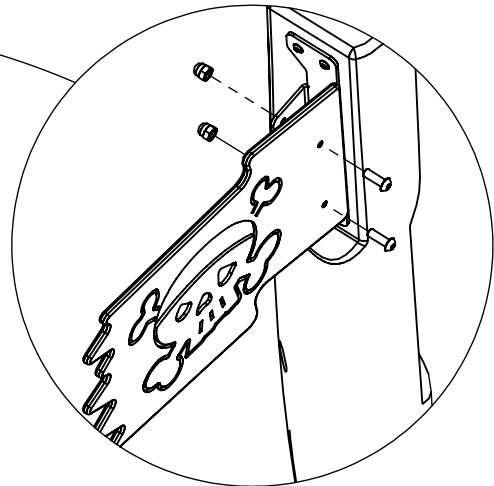
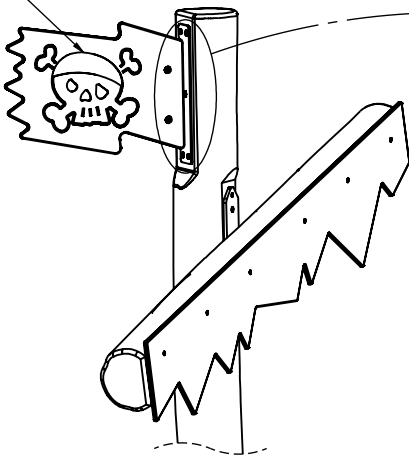


2x 8x50sxi

1x 12e009



121111



1x 12e012

[cm]

vinci
play

A

127213

127210

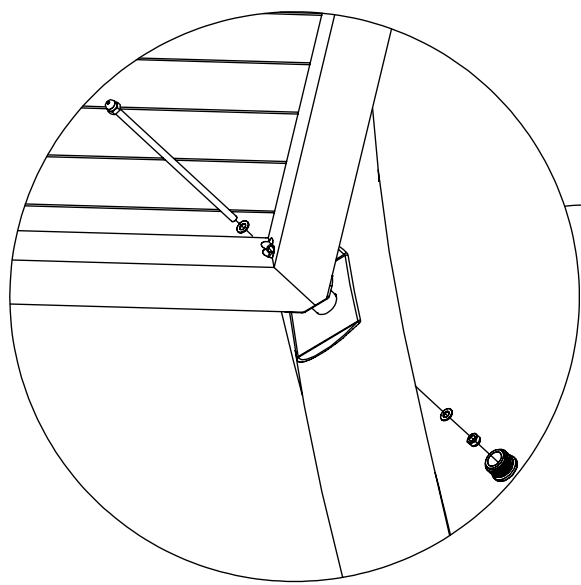
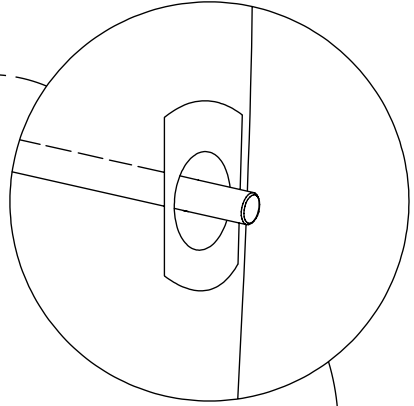
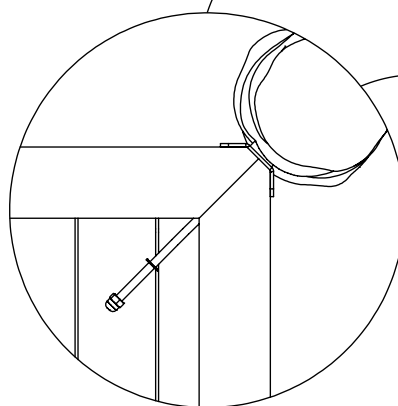
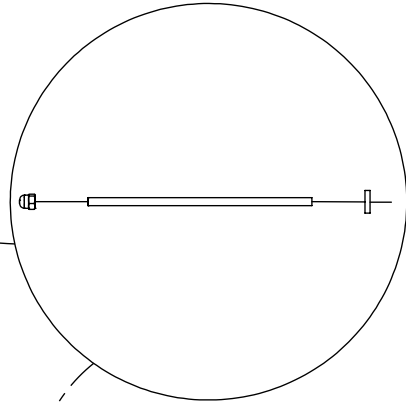
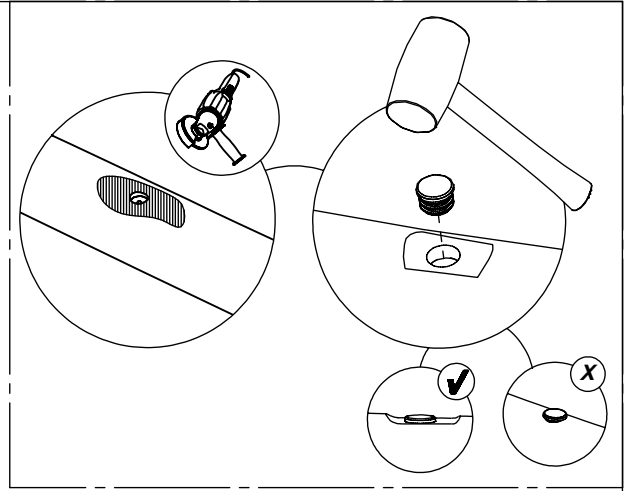
127208

127209

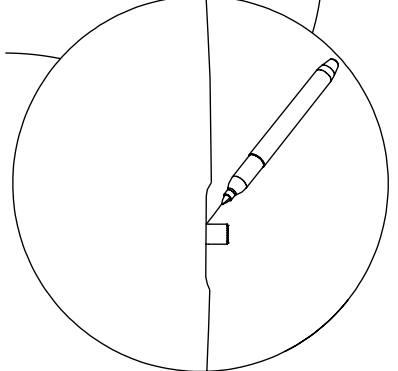
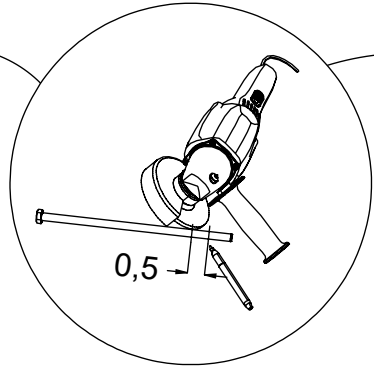
3x 124108

127211

127212



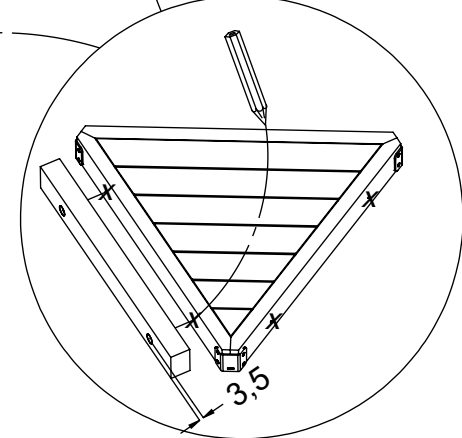
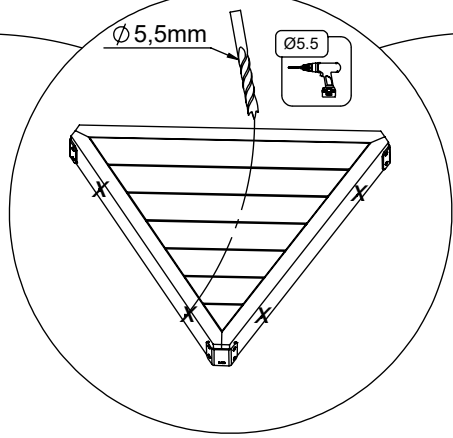
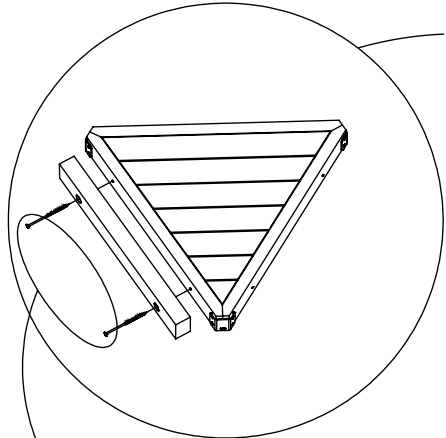
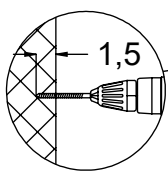
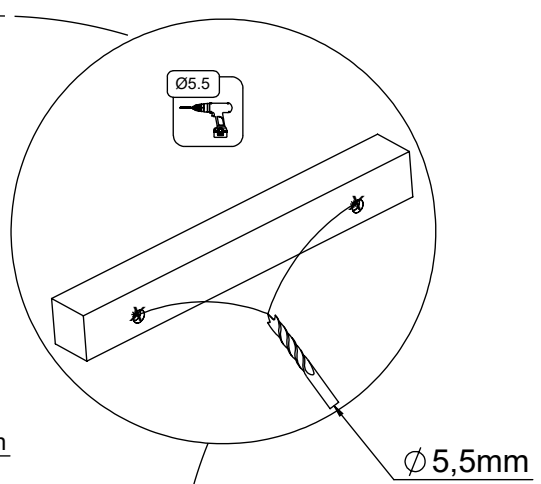
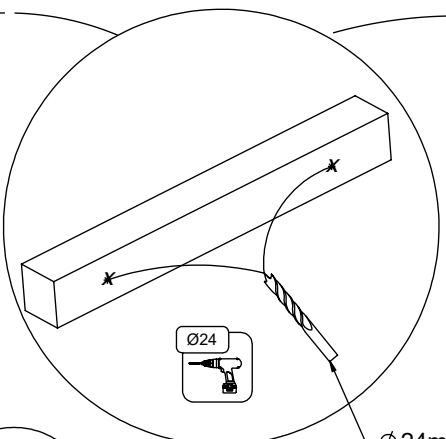
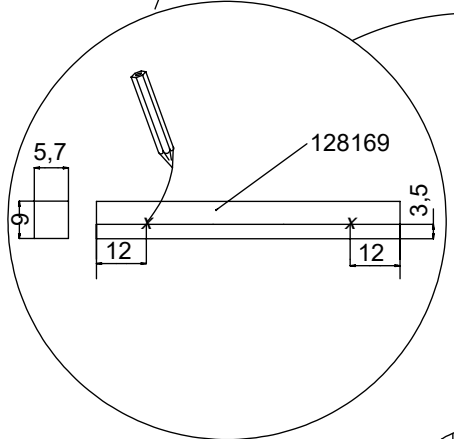
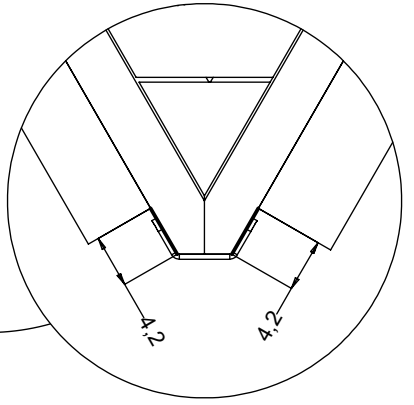
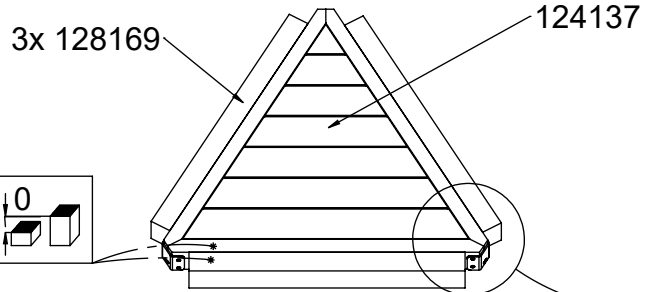
3x 12e003



[cm]

vinci
play

2x

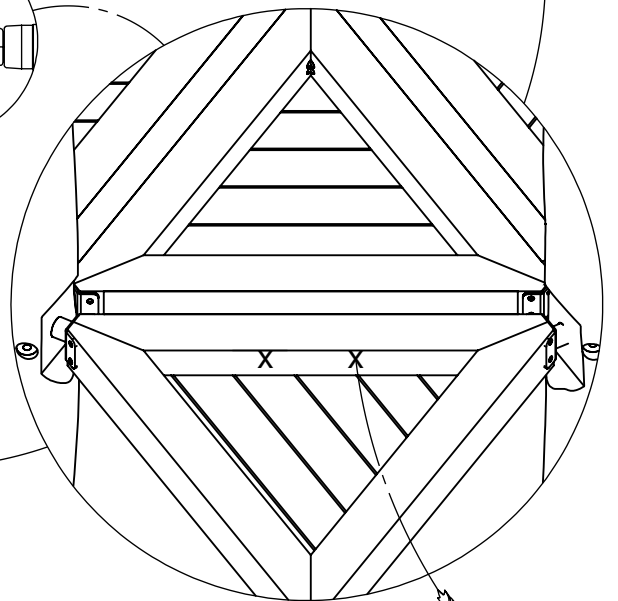
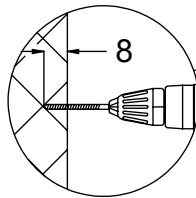
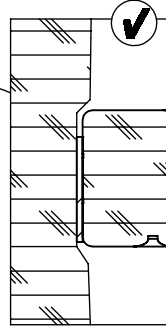
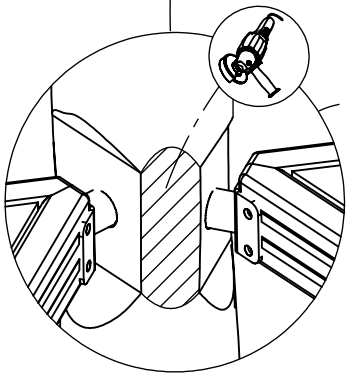
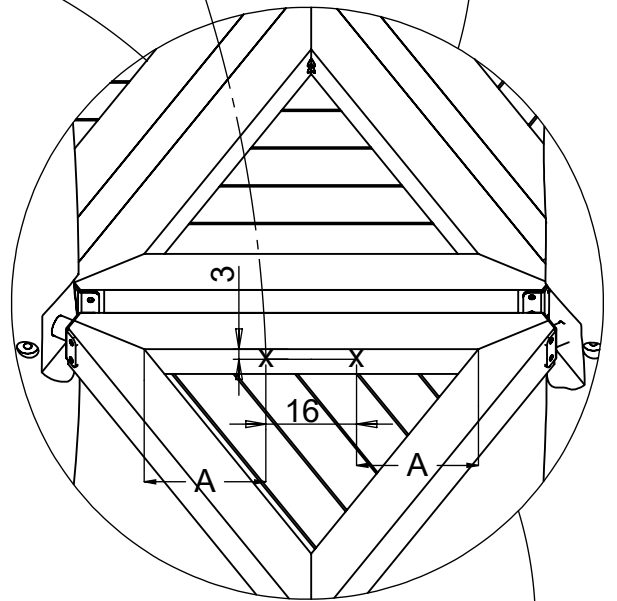
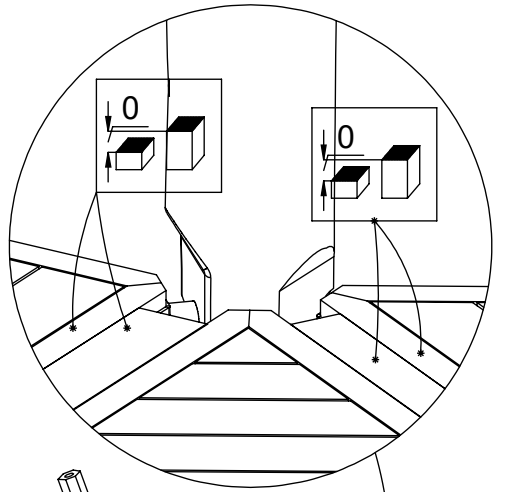
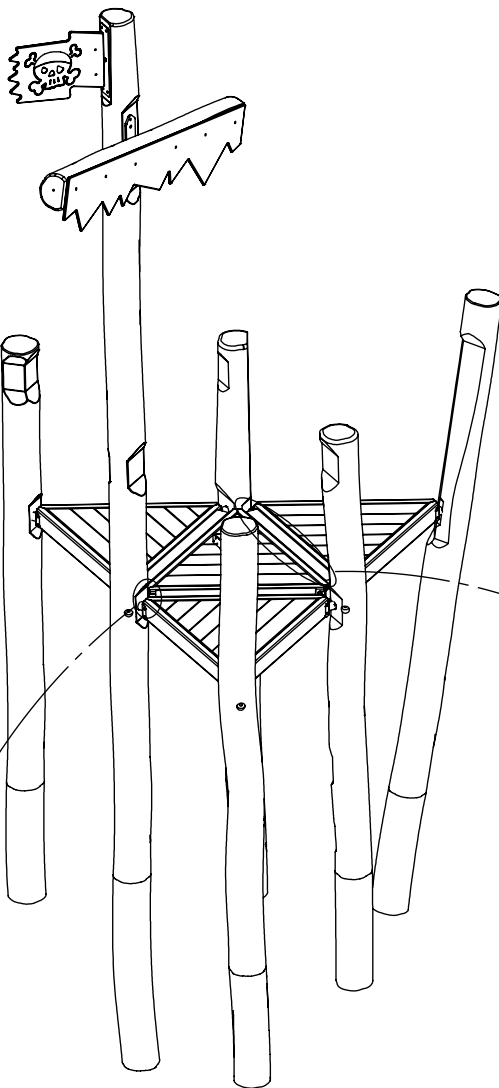


6x 8x80sxt

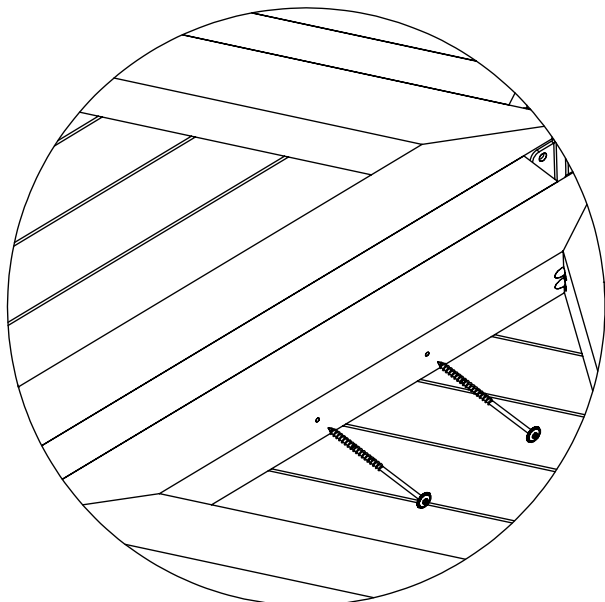
[cm]

vinci play

A



Ø 5,5mm

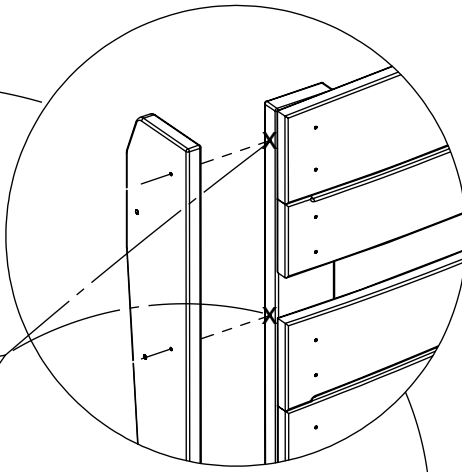
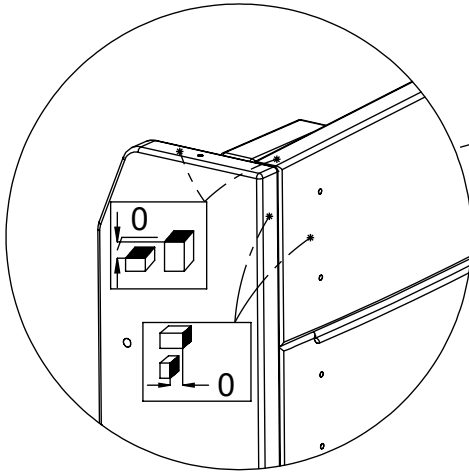


[cm]

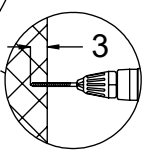
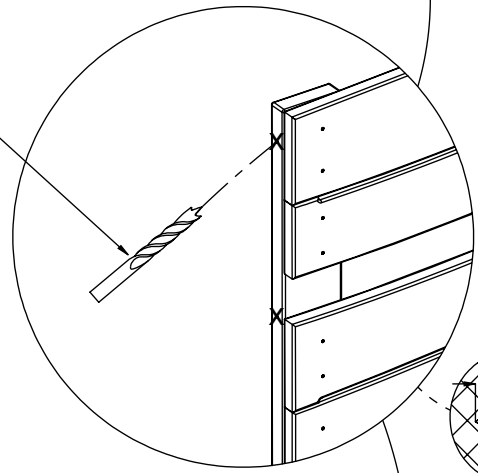
6x 8x160sxt

vinci
play

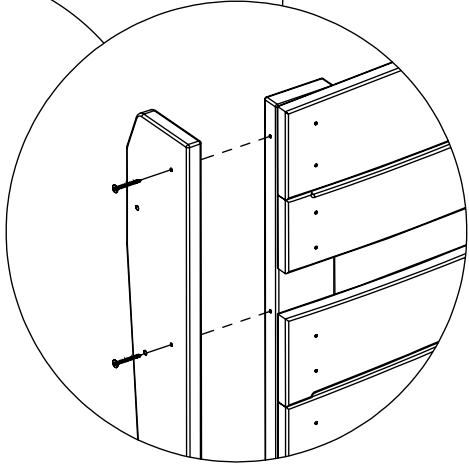
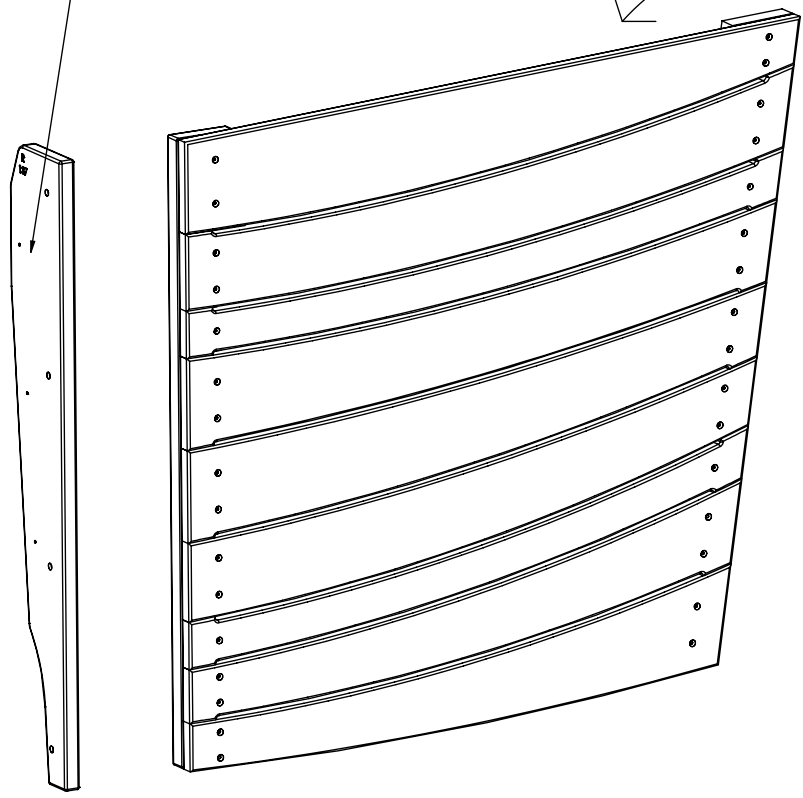
4x



∅ 3.5 mm



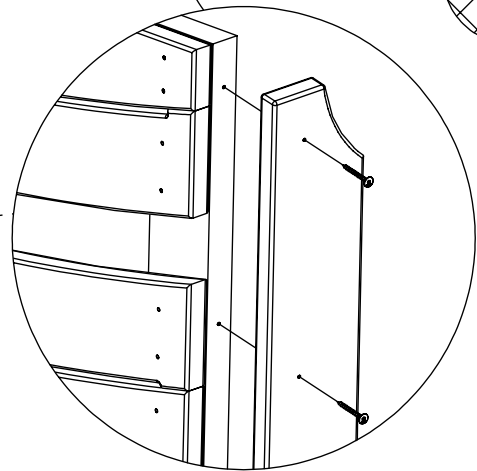
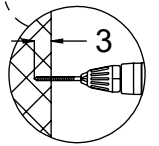
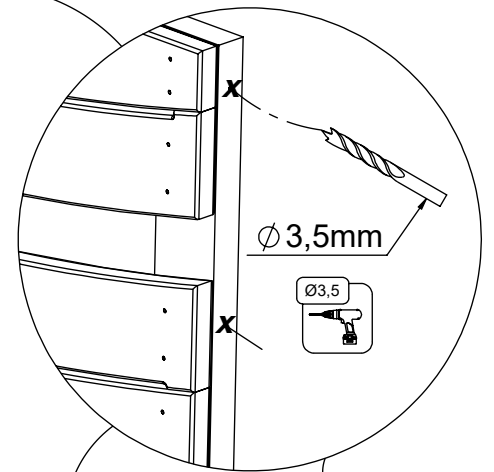
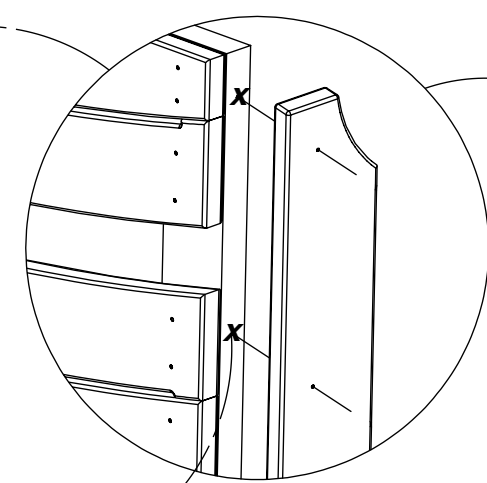
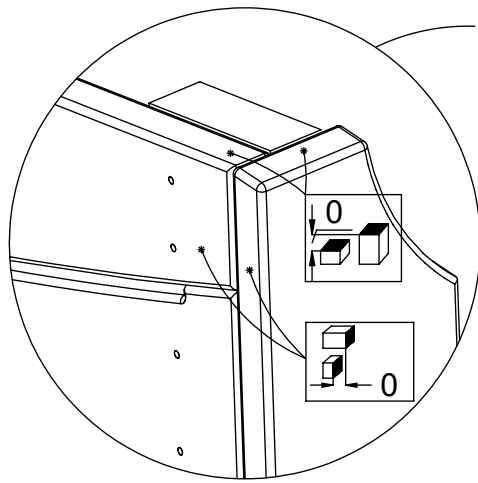
128249
128137



4x 5x50 sxs

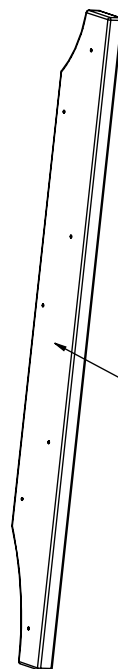
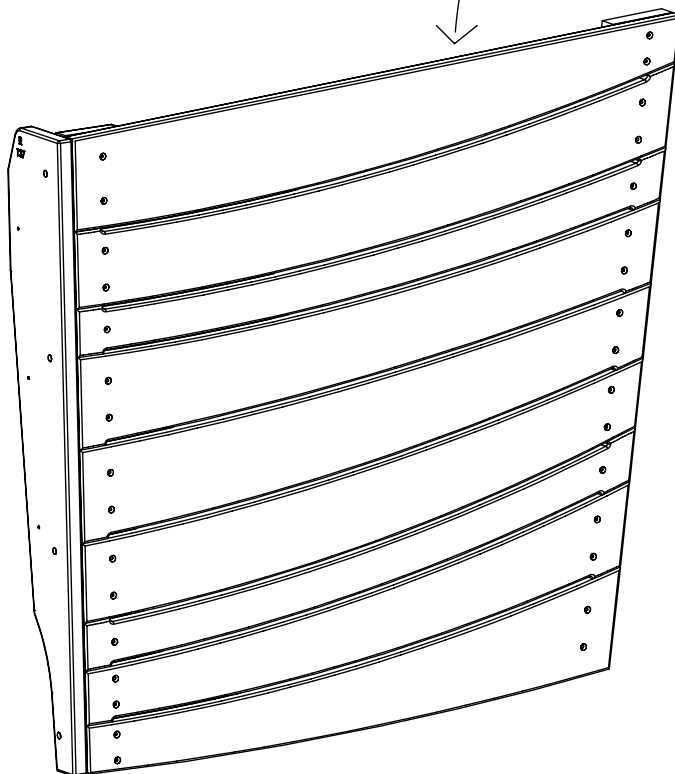
[cm]

vinci
play



4x

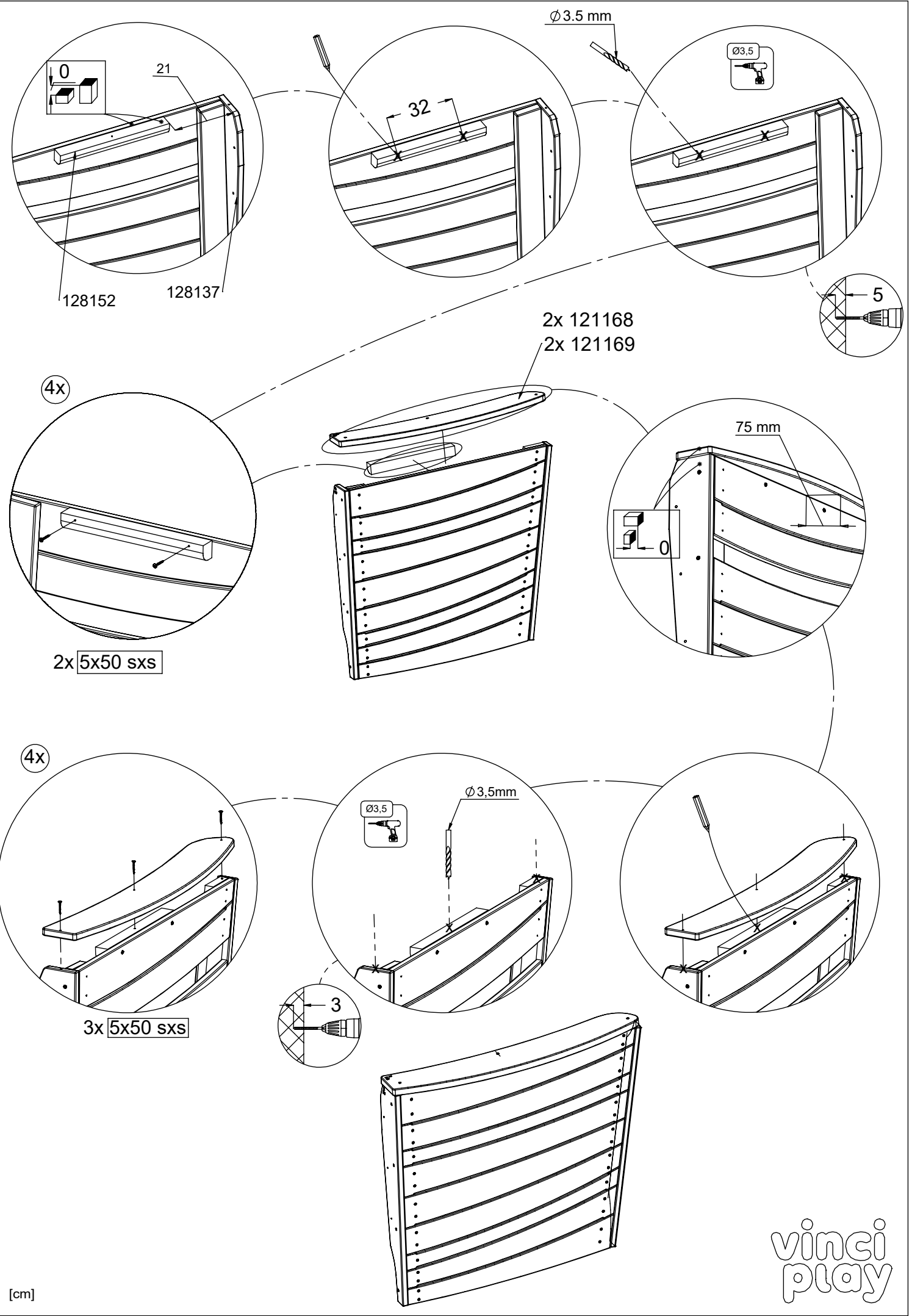
4x 5x50 sxs

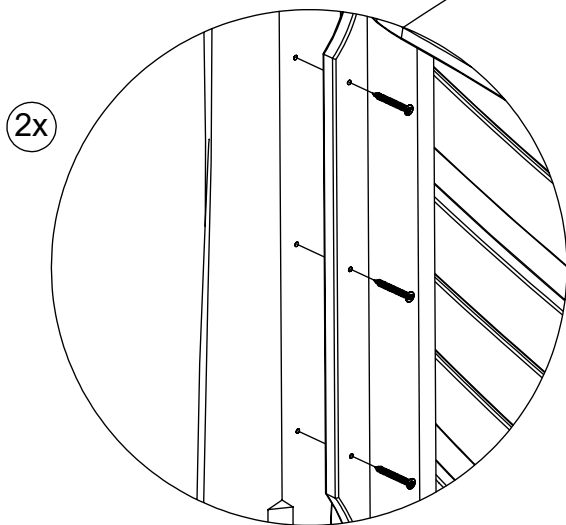
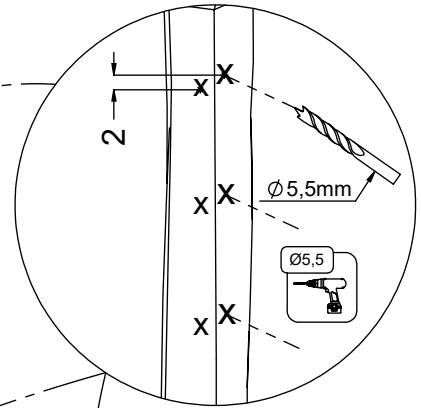
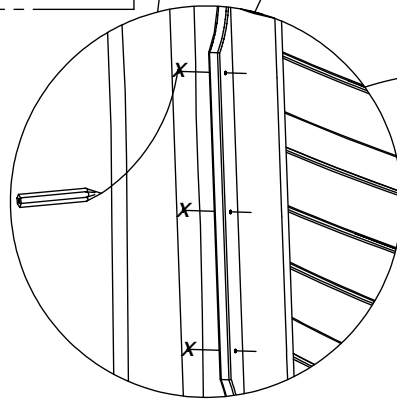
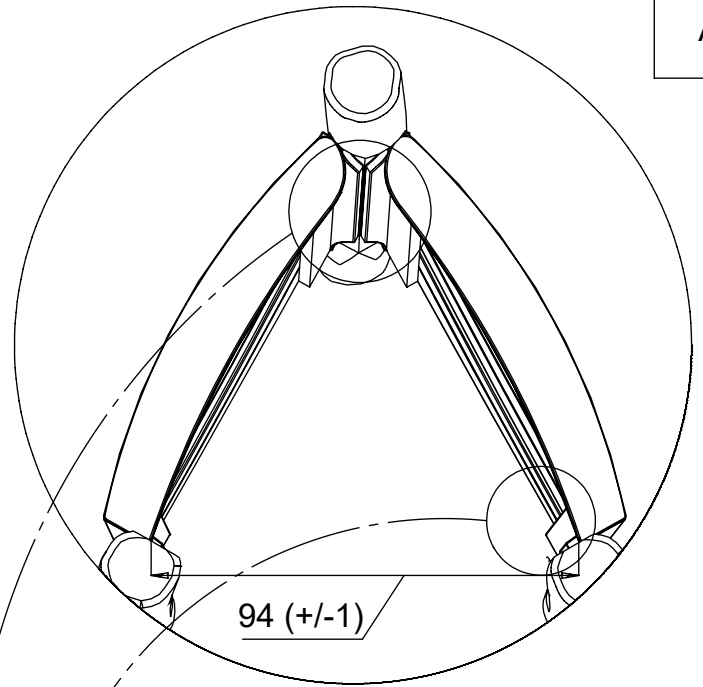
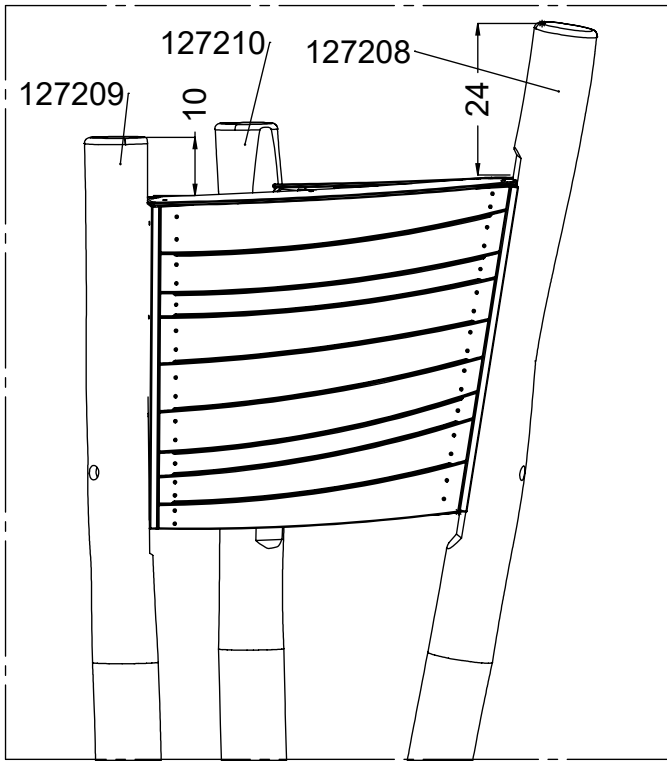


2x 128165
2x 128250

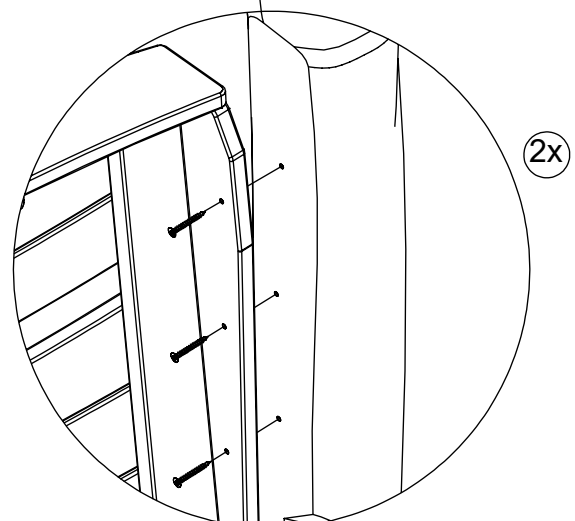
[cm]

vinci
play



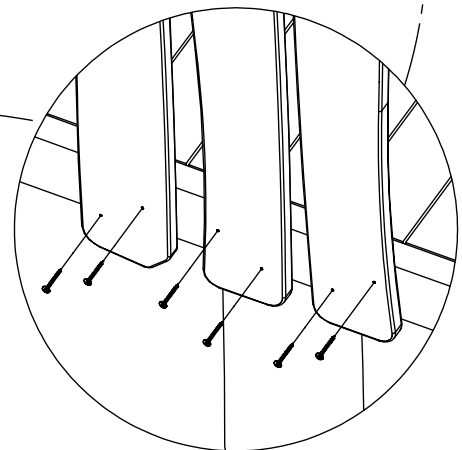
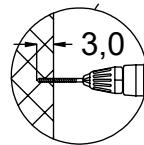
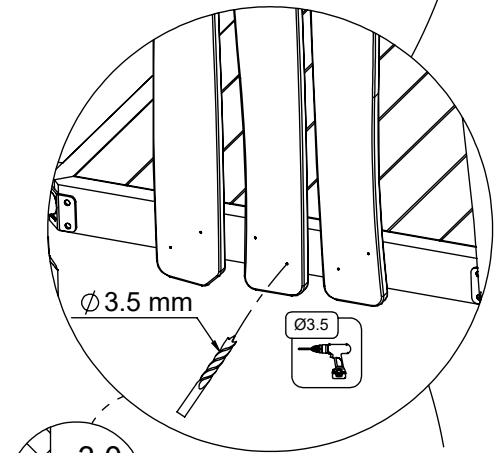
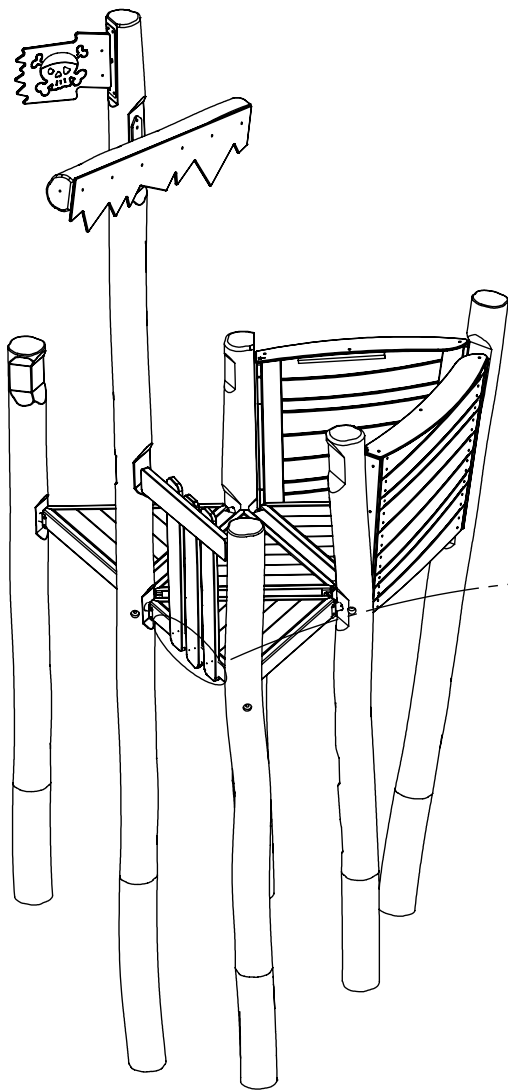
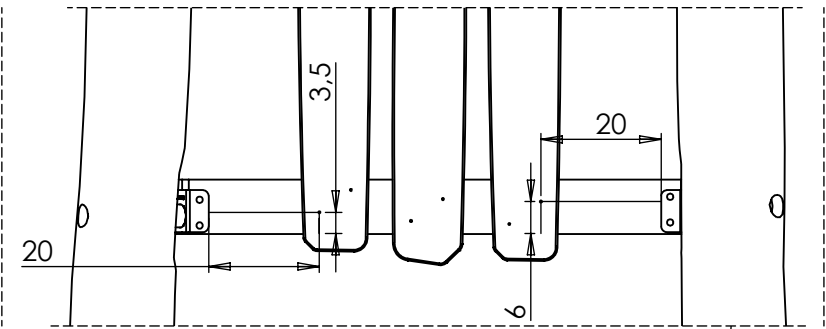


3x 5x80 sxs



3x 5x80 sxs

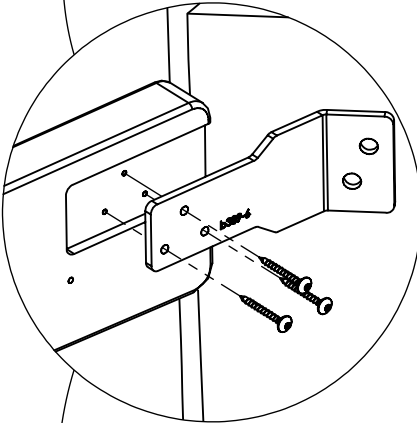
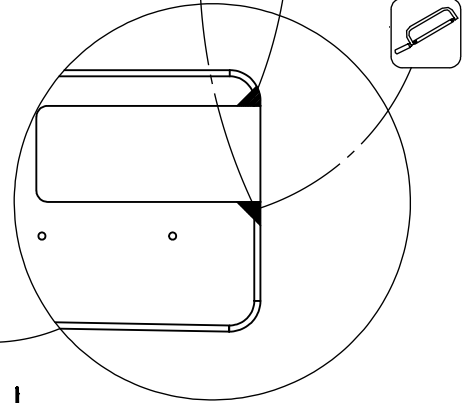
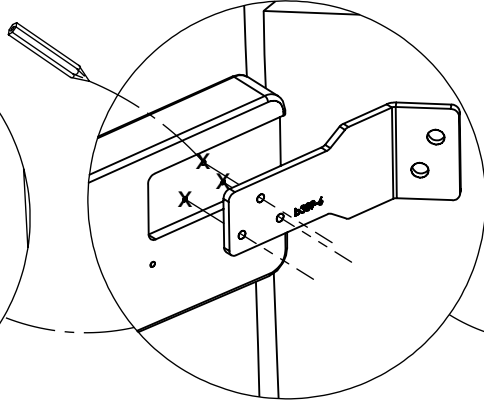
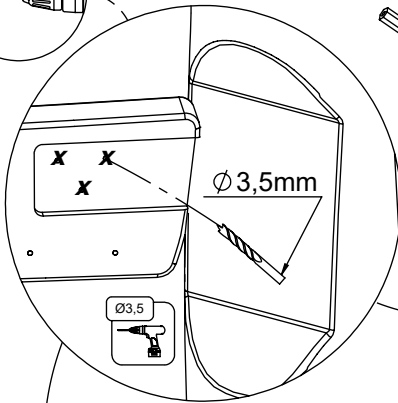
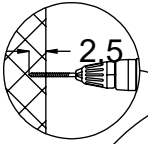
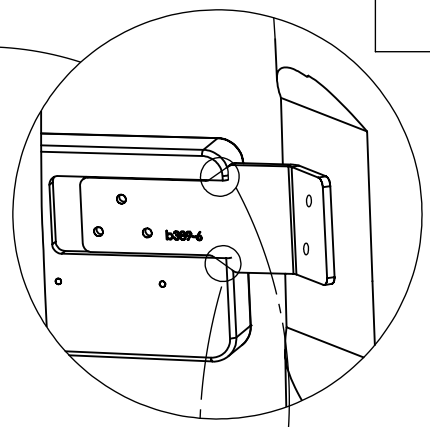
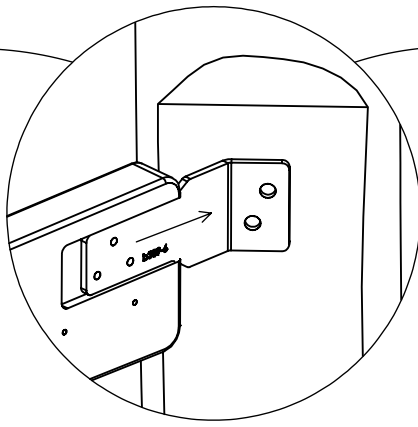
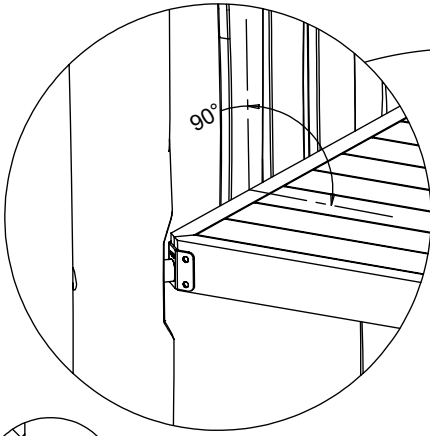
A



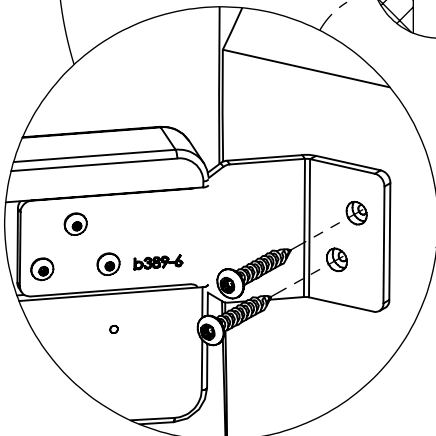
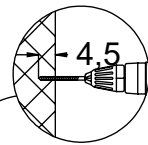
6x 5x50sxs

[cm]

vinci
play



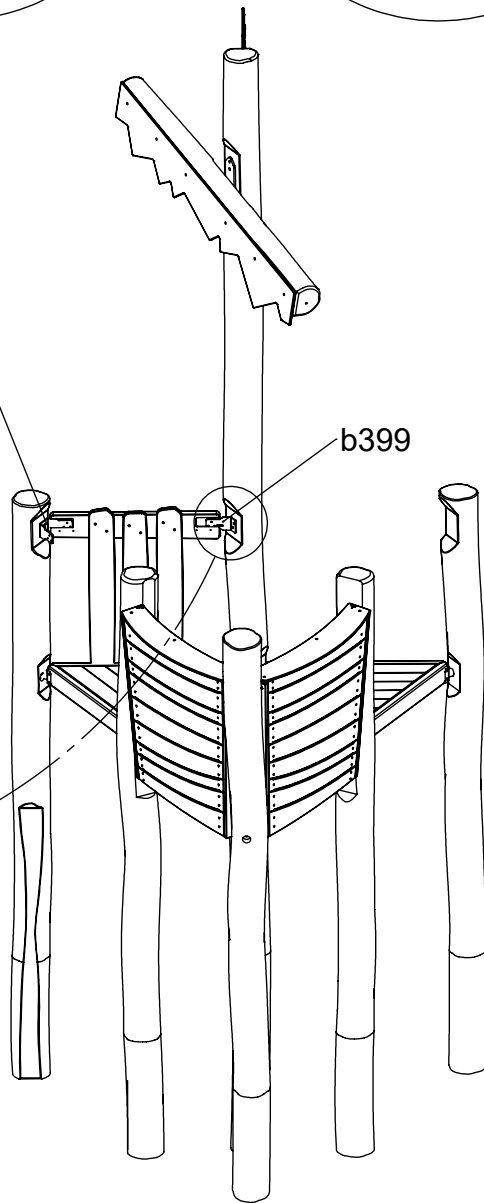
6x 5x30sxs



4x 8x50sxi

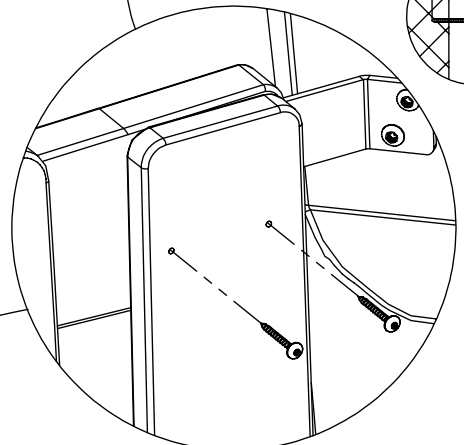
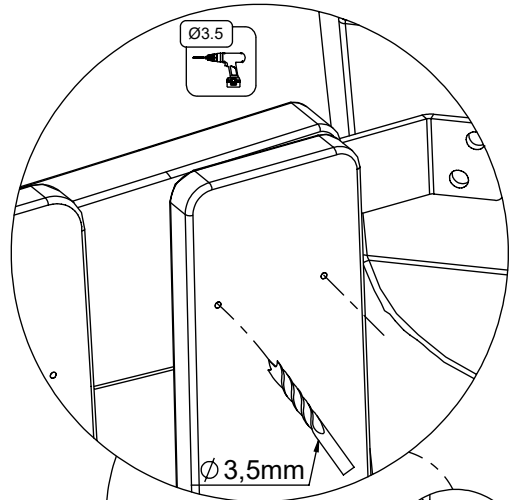
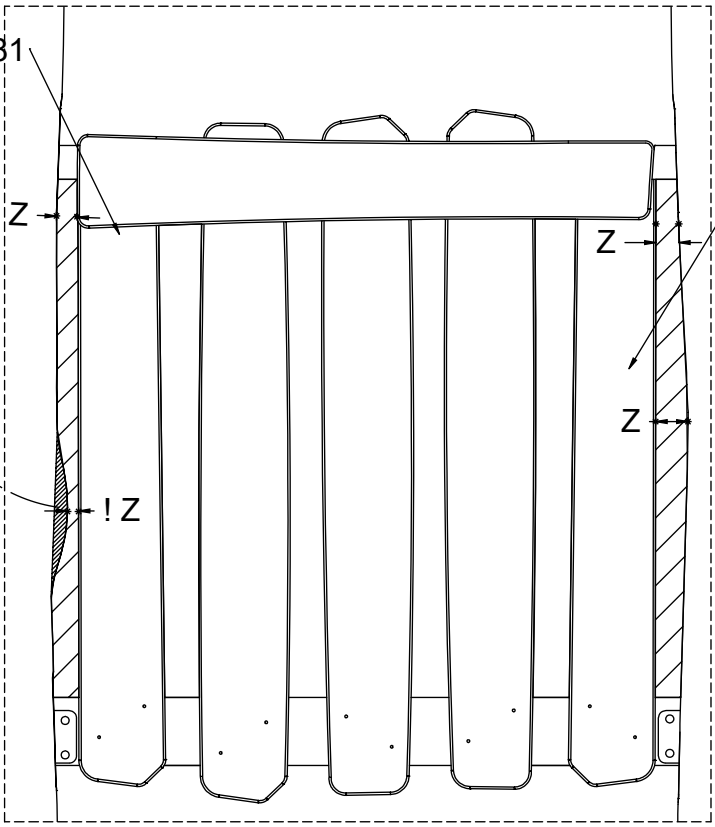
b405

b399



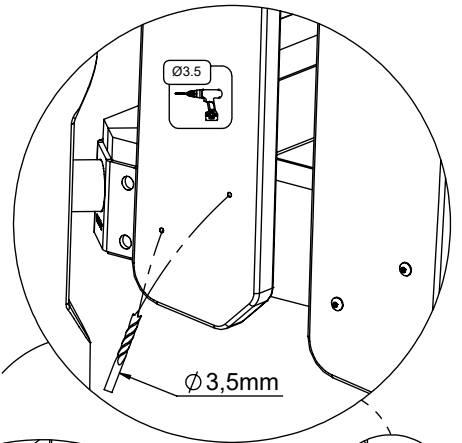
128181

128181

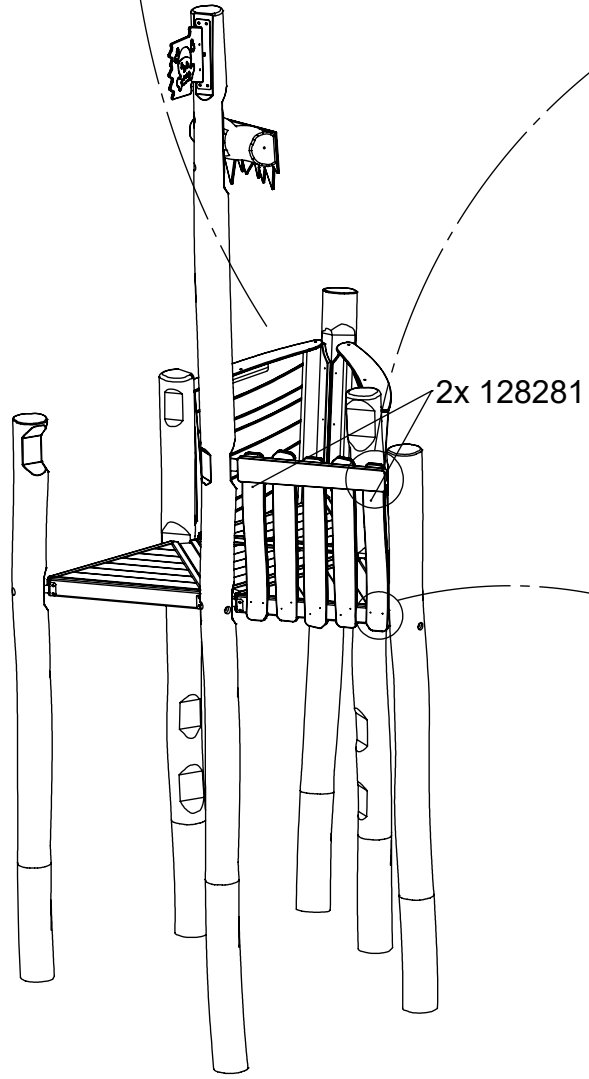


4x 5x50sxs

! 30mm < Z < 85mm



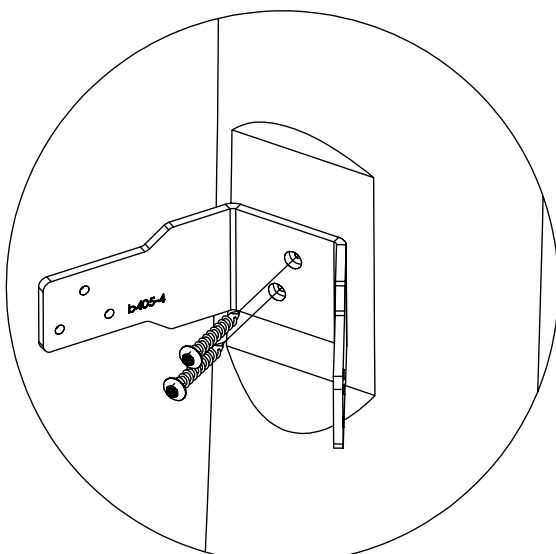
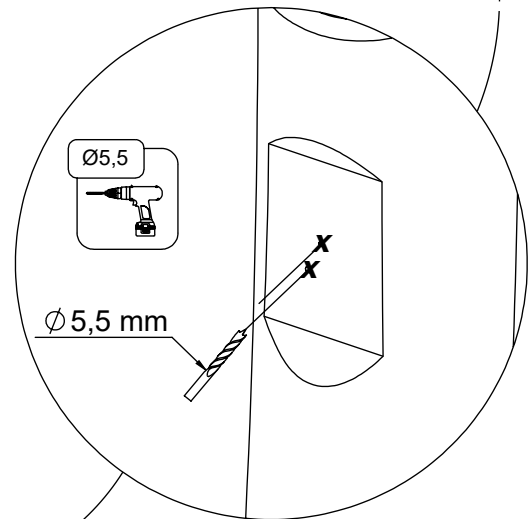
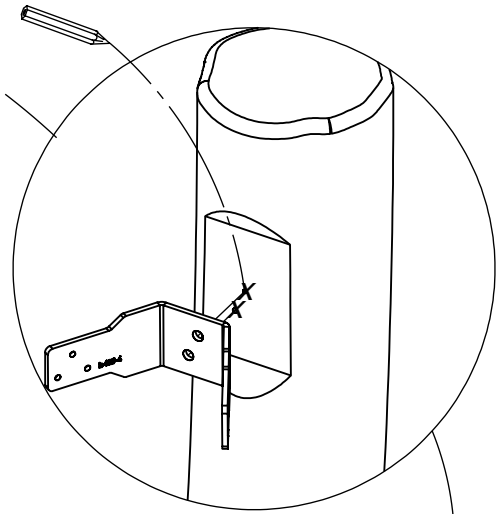
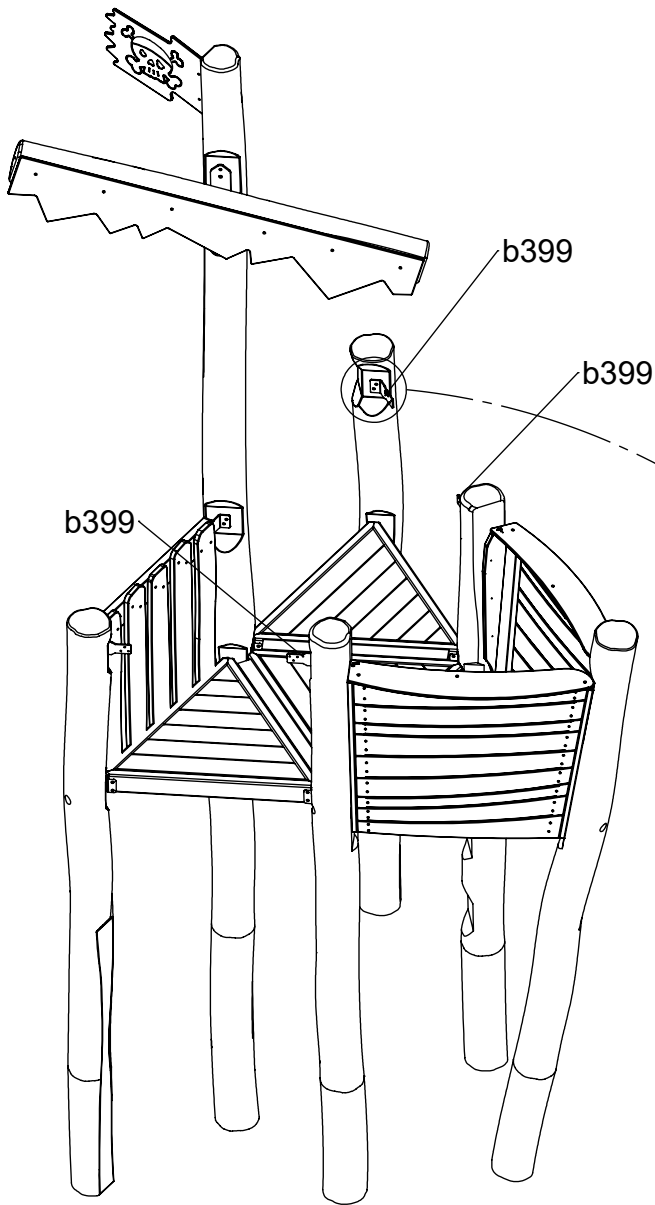
4x 5x50sxs



2x 128281

[cm]

A

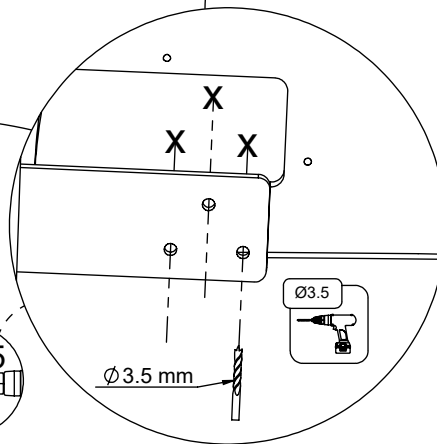
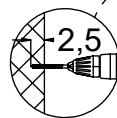
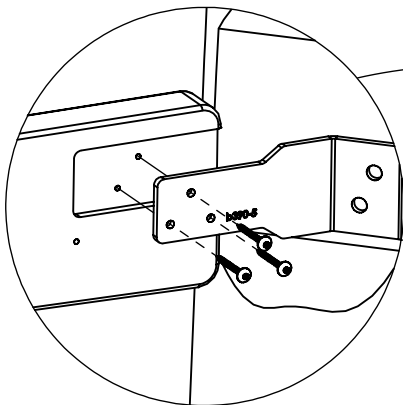
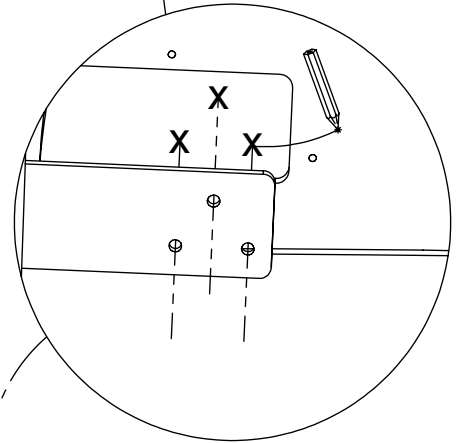
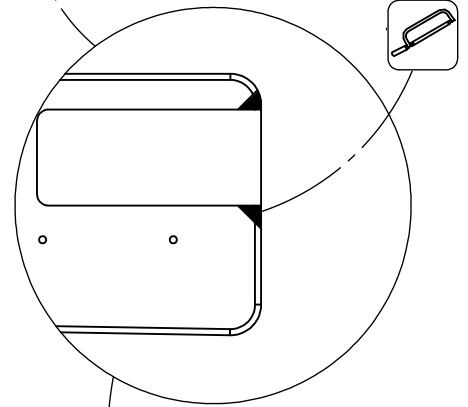
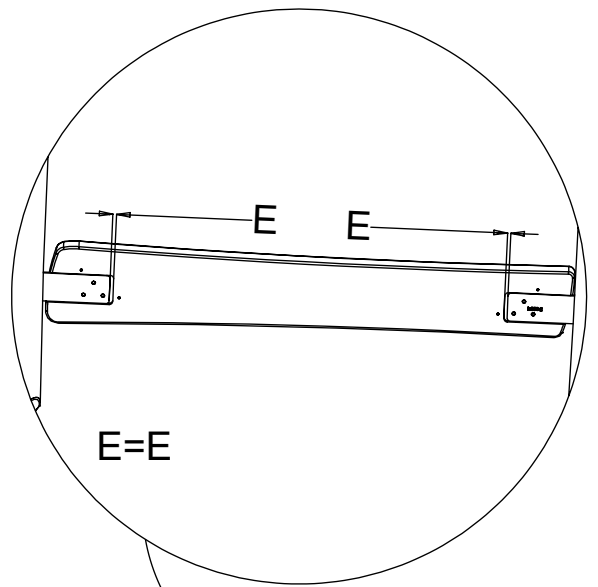
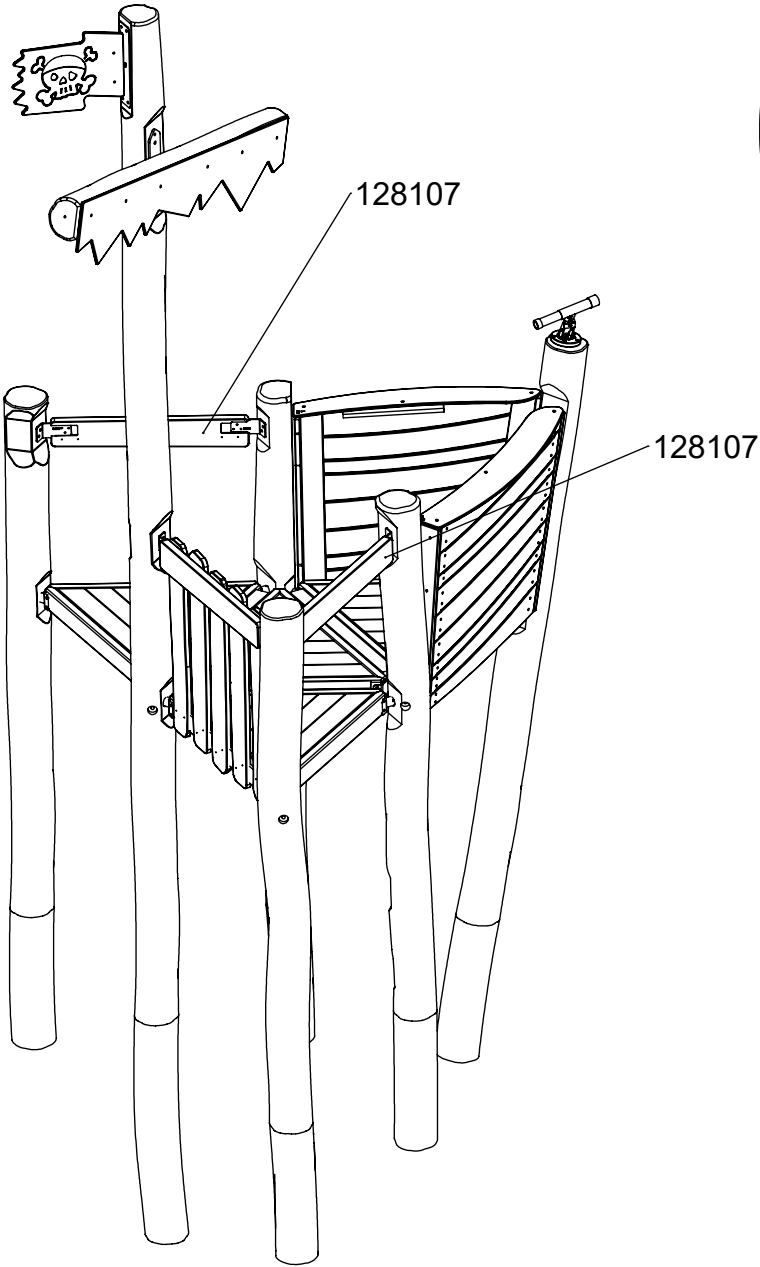


6x 8x50sxi

[cm]

vinci
play

A

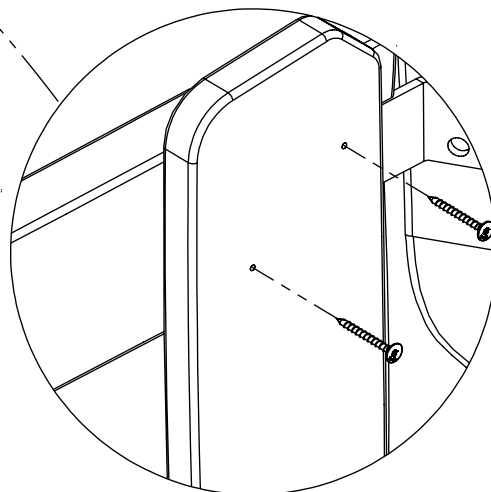
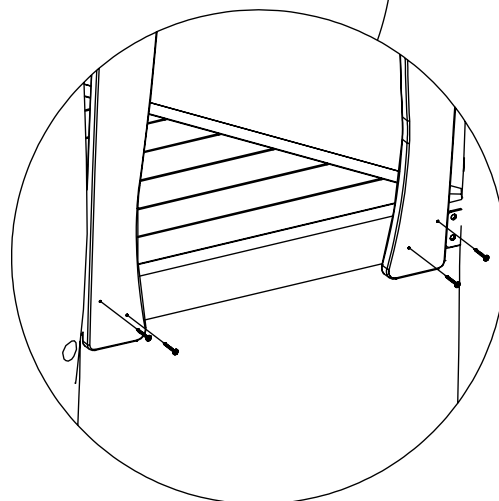
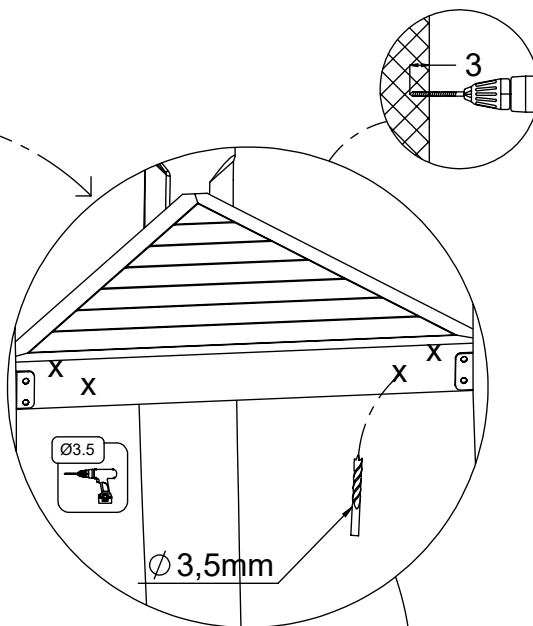
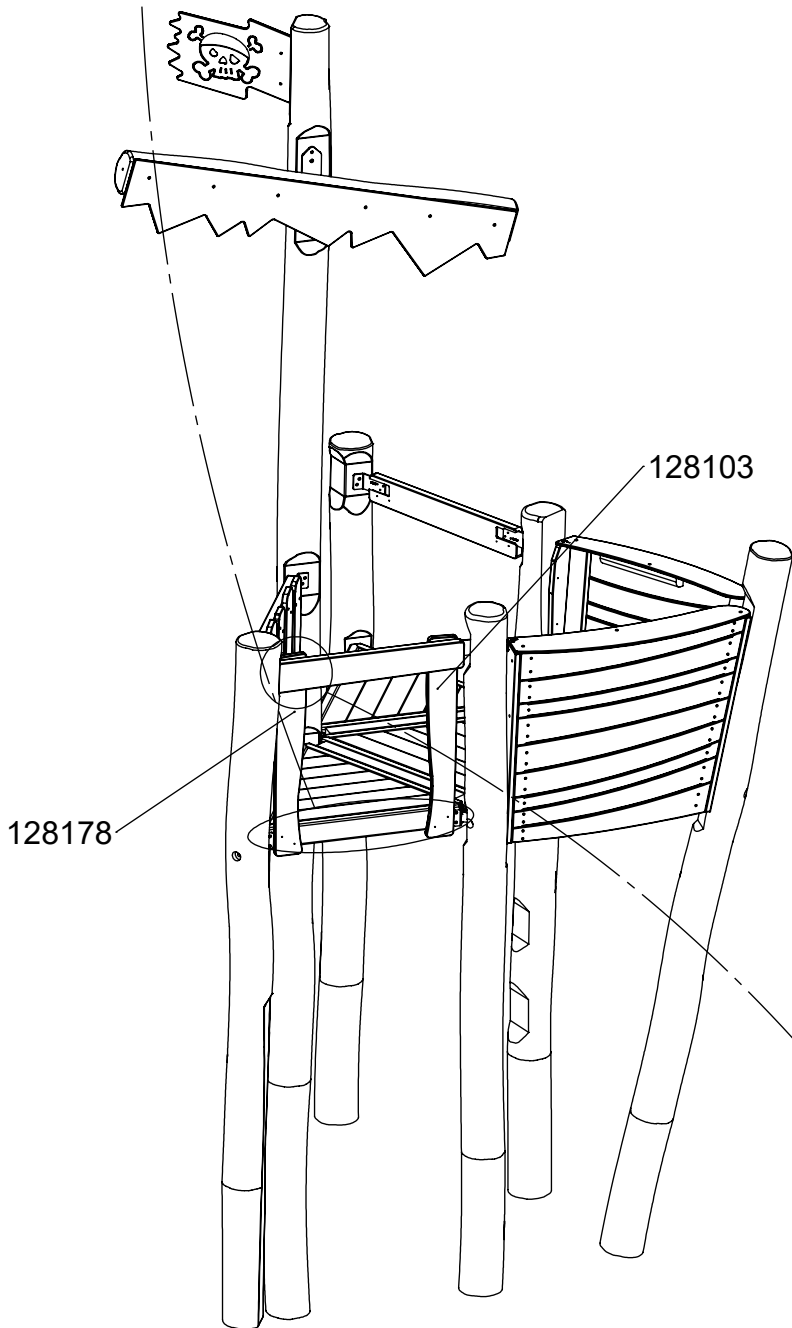
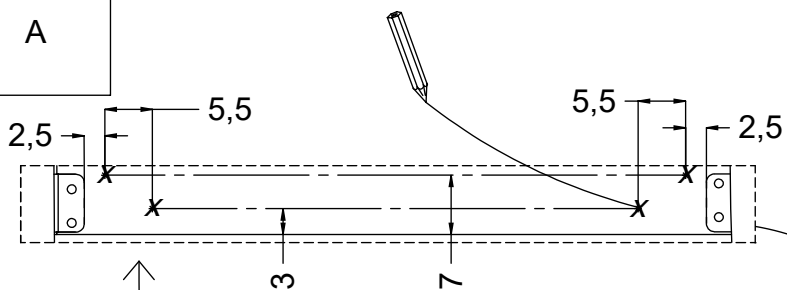


12x 5x30sxs

[cm]

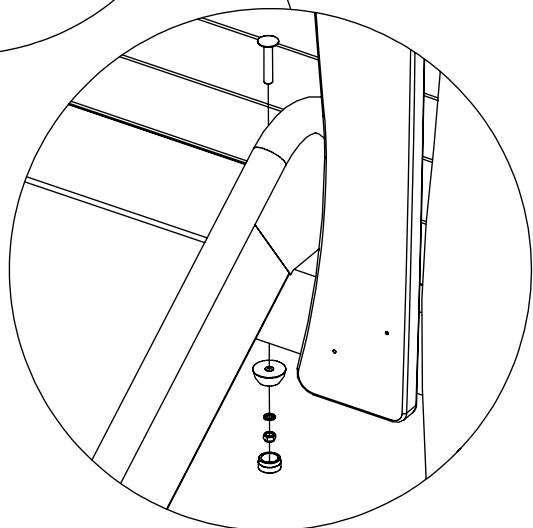
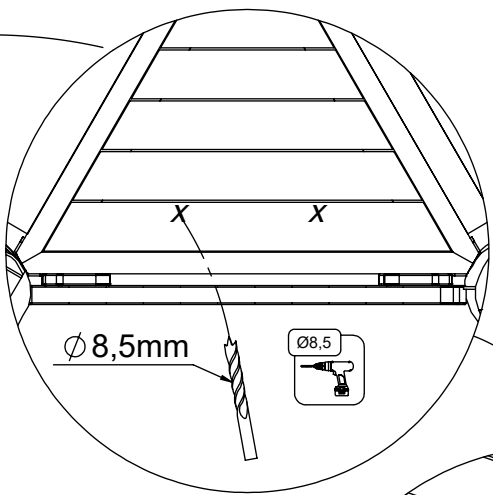
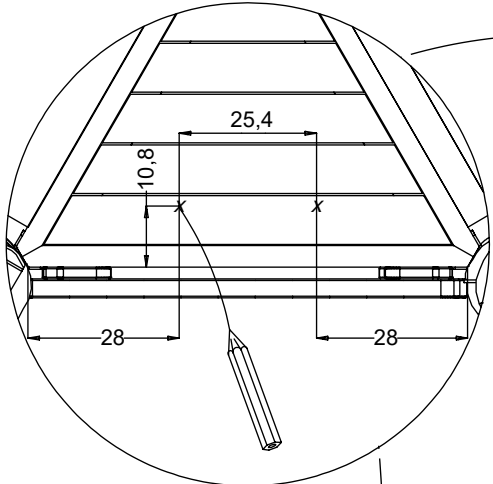
vinci
play

A

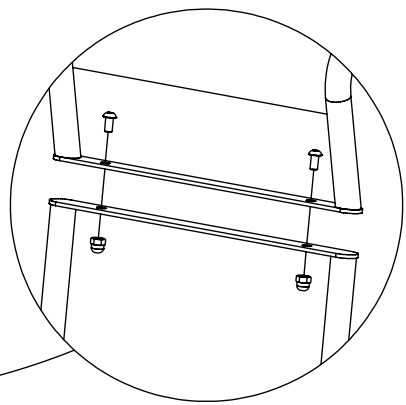
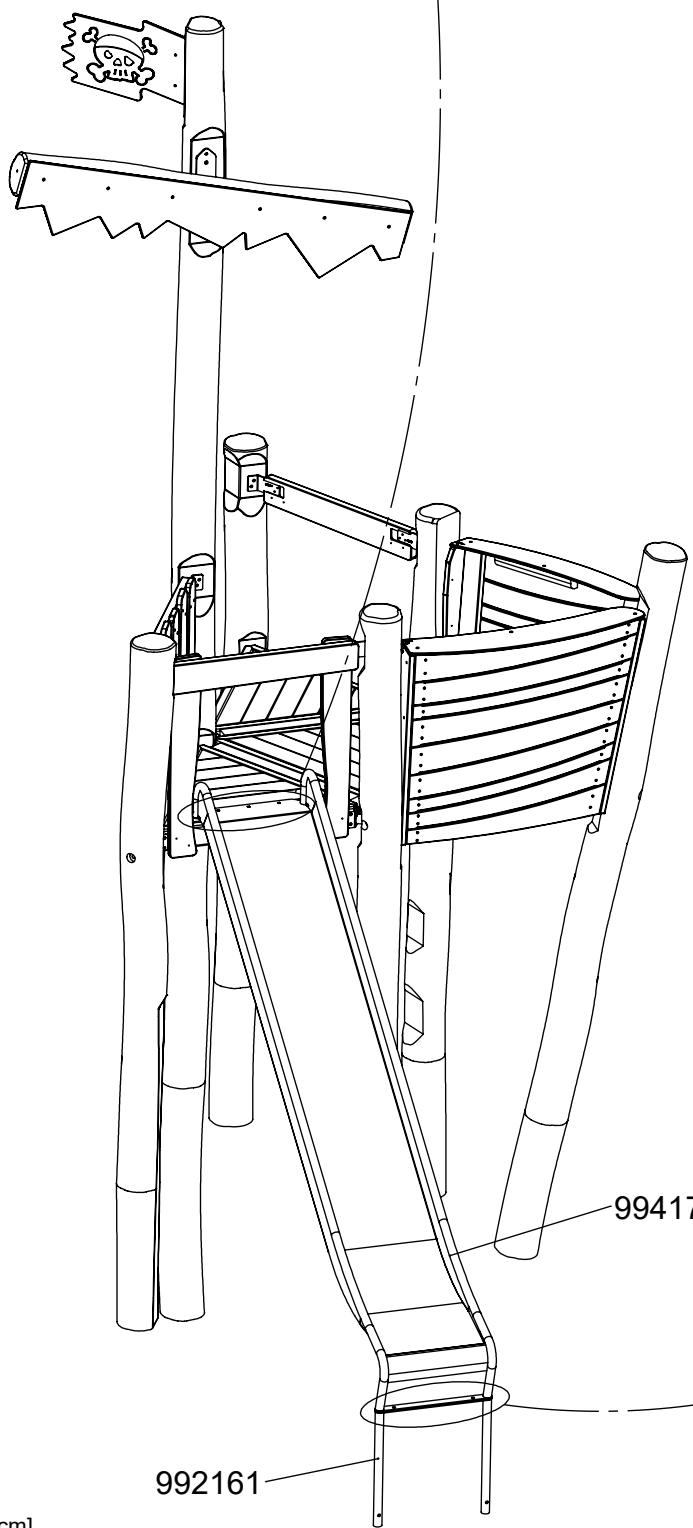


[cm]

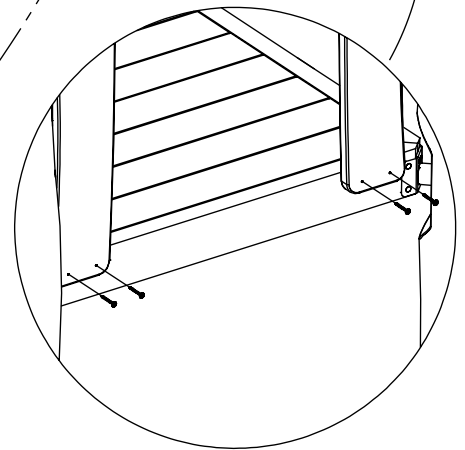
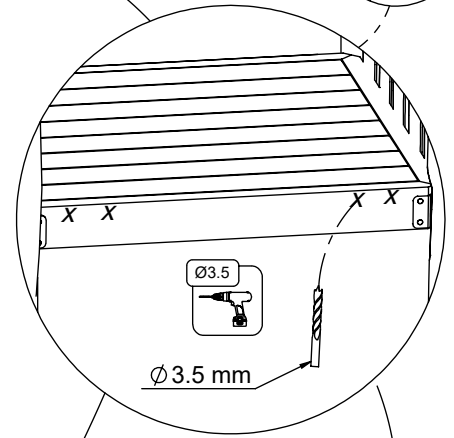
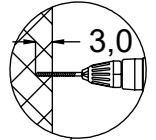
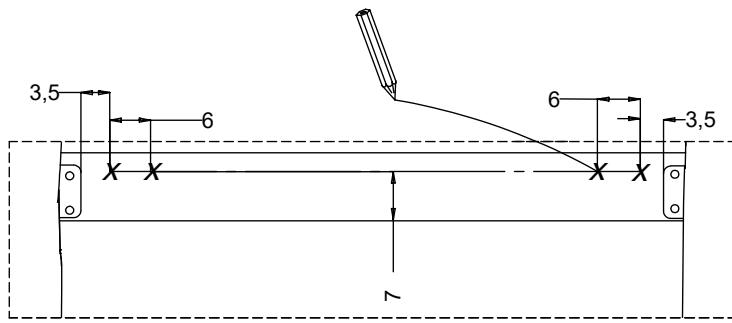
vinci
play



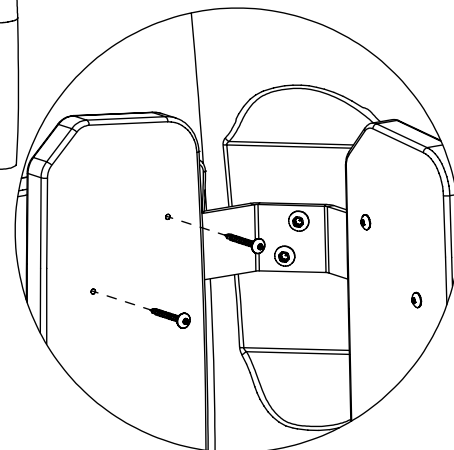
1x 12e089



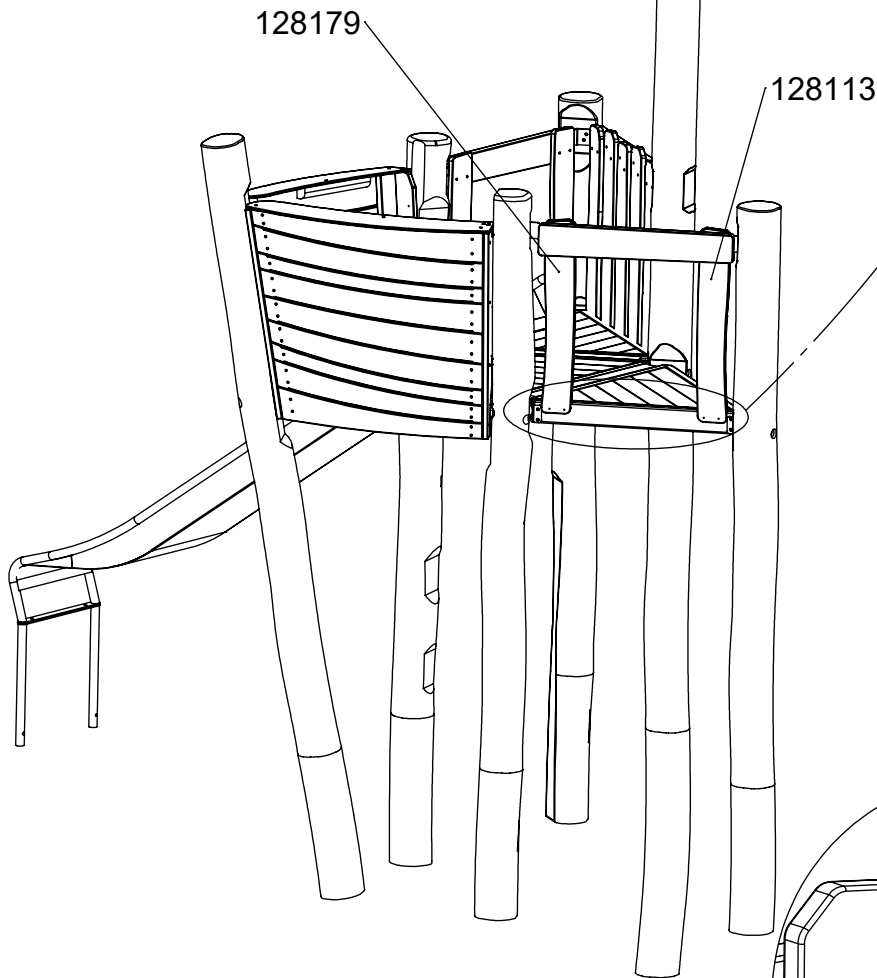
1x 12e030



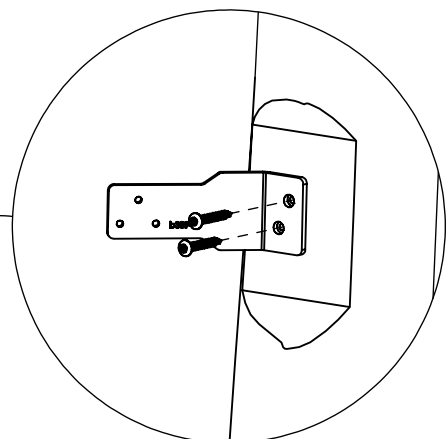
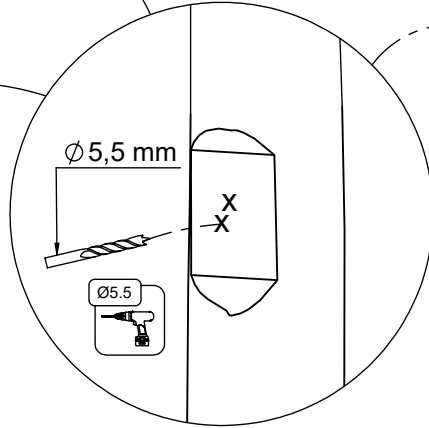
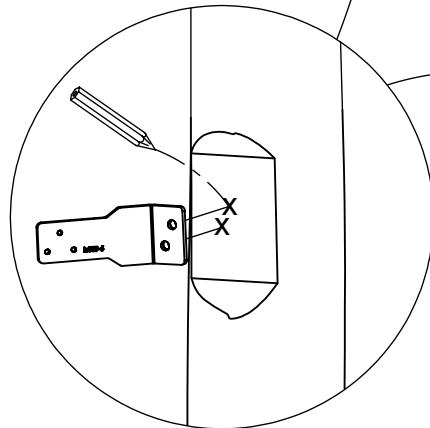
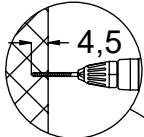
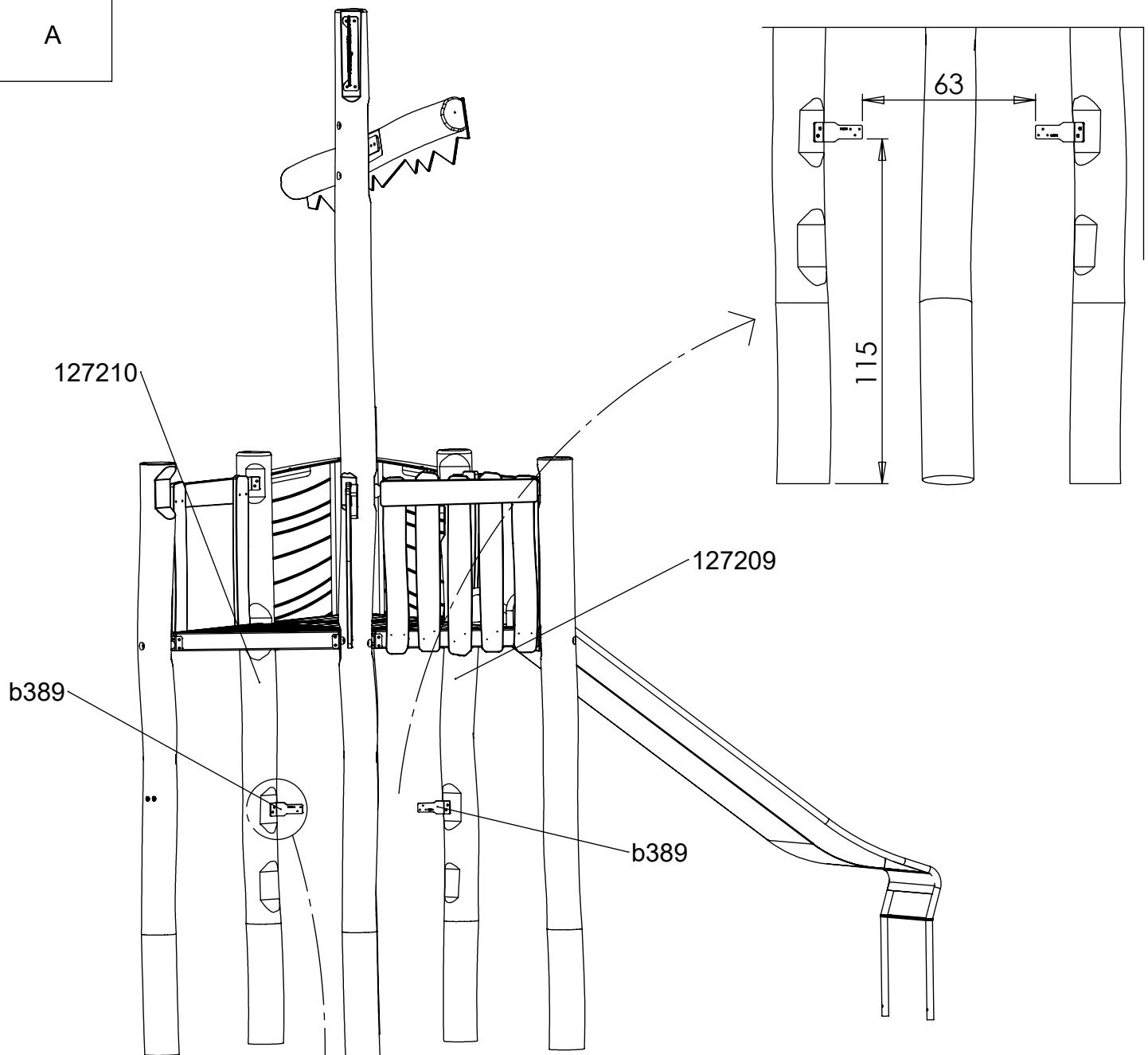
4x 5x50sxs



4x 5x50sxs



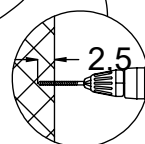
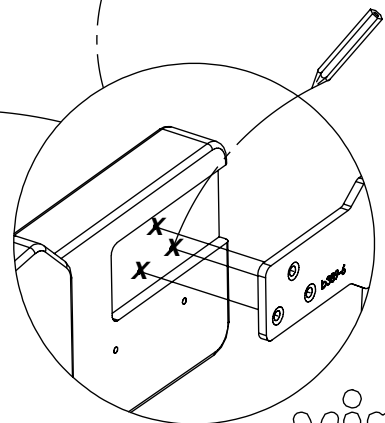
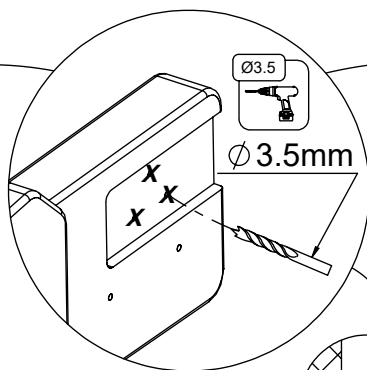
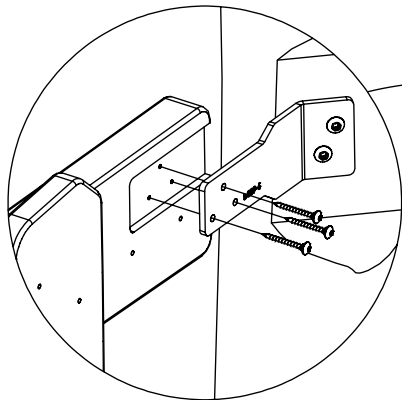
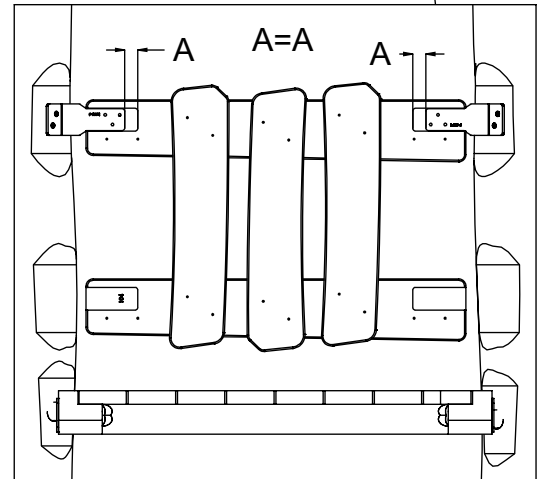
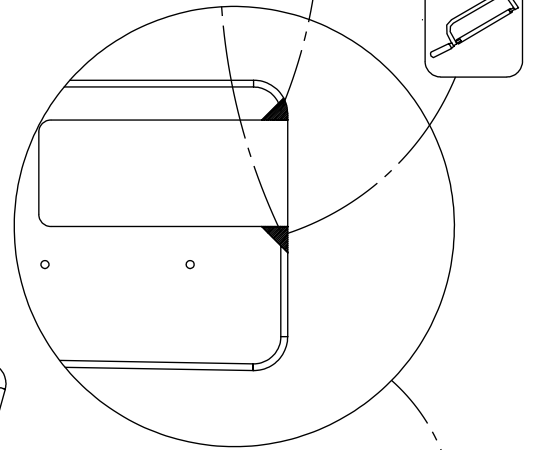
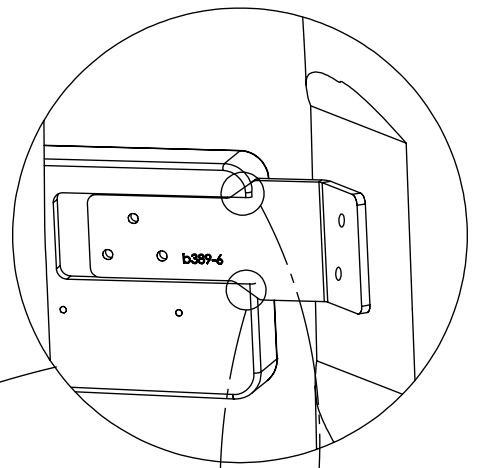
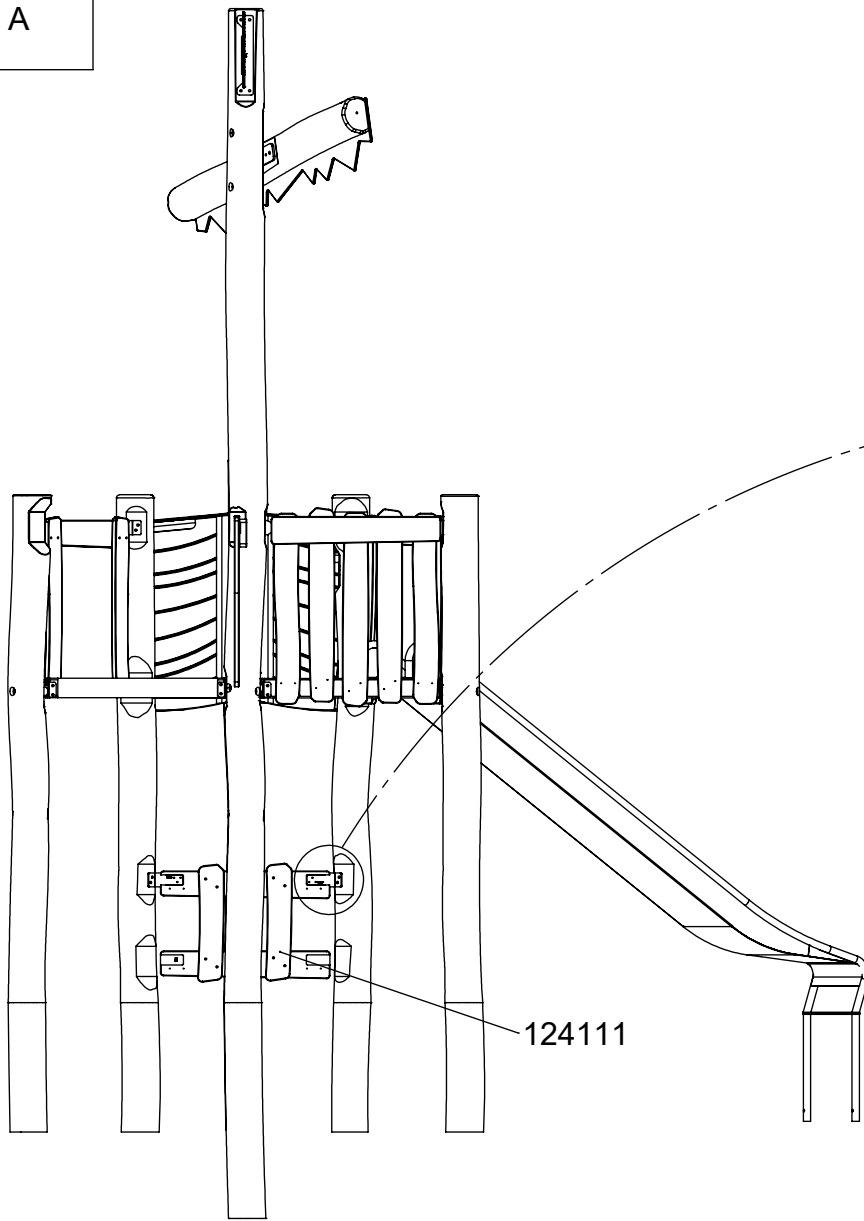
A



[cm]

vinci
play

A

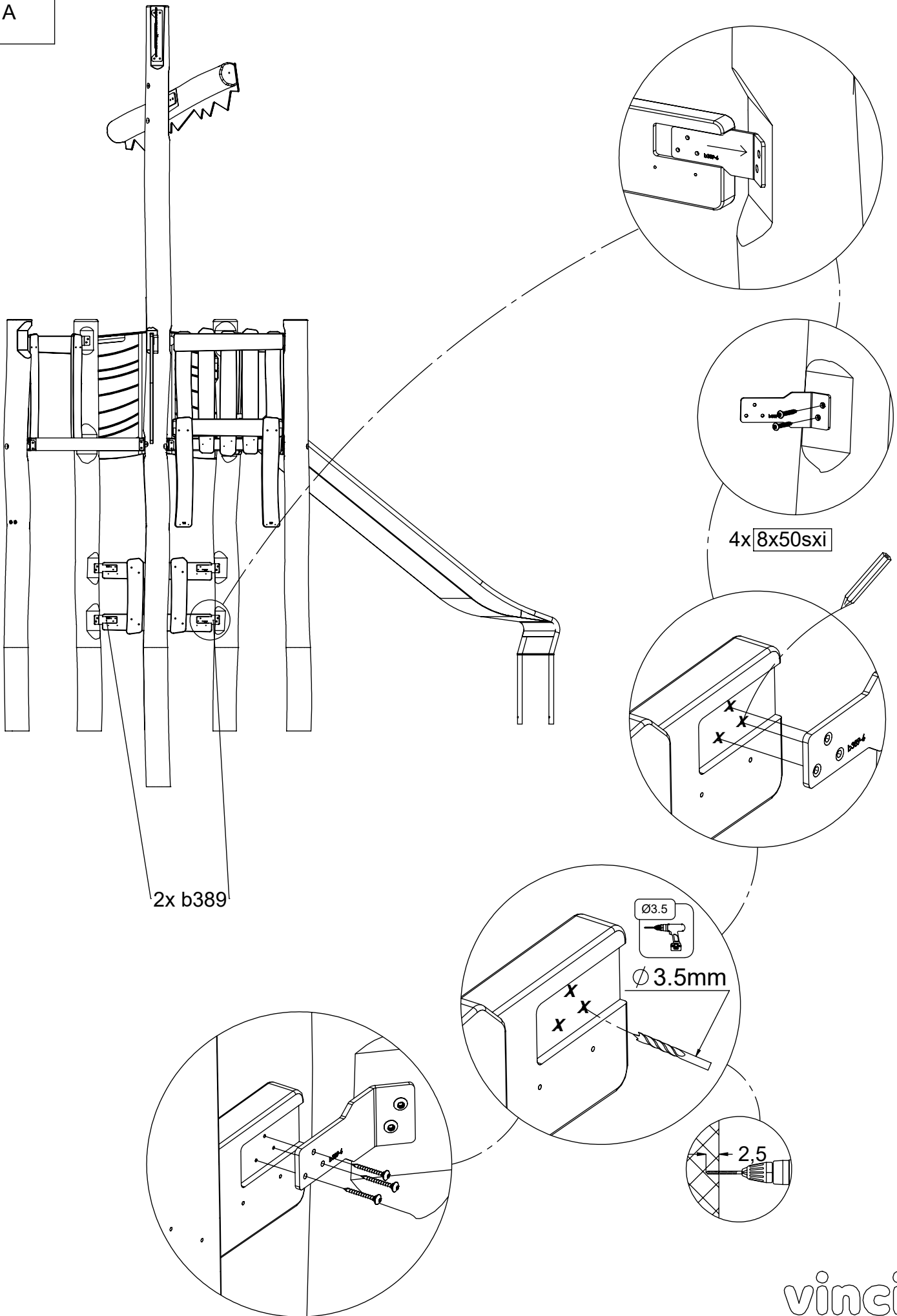


6x 5x30sxs

[cm]

vinci
play

A



2x b389

4x 8x50sxi

Ø 3.5mm

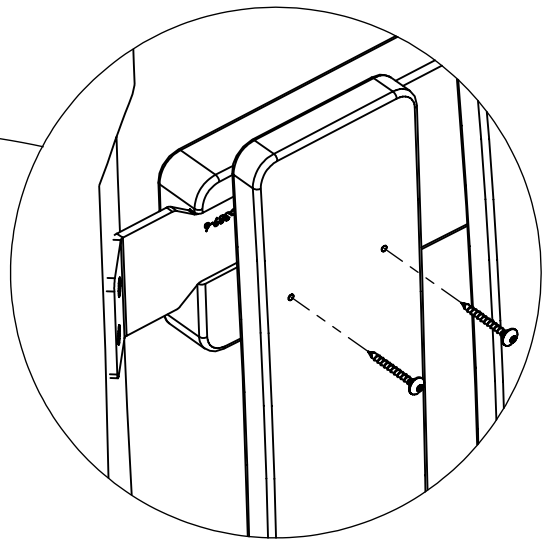
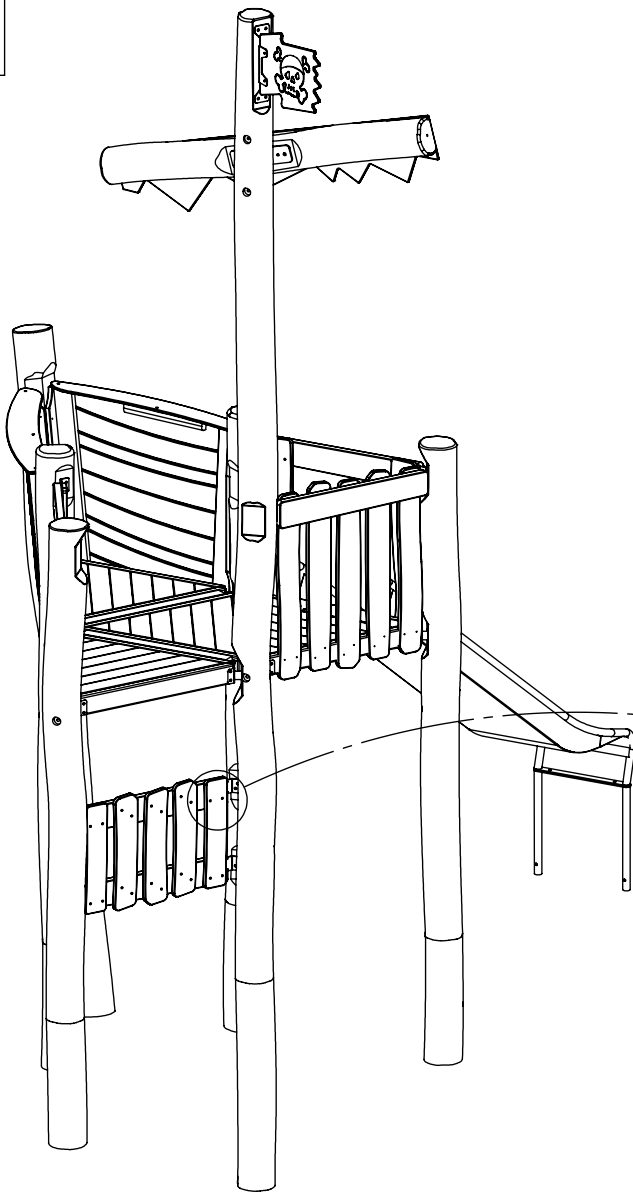
2,5

6x 5x30sxs

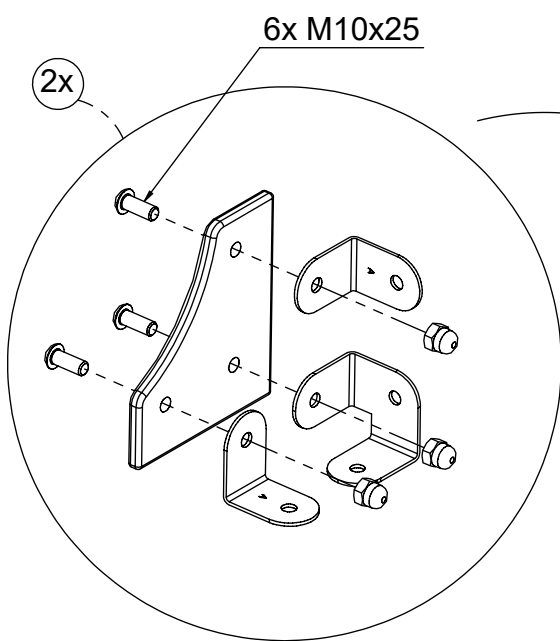
[cm]

vinci
play

A

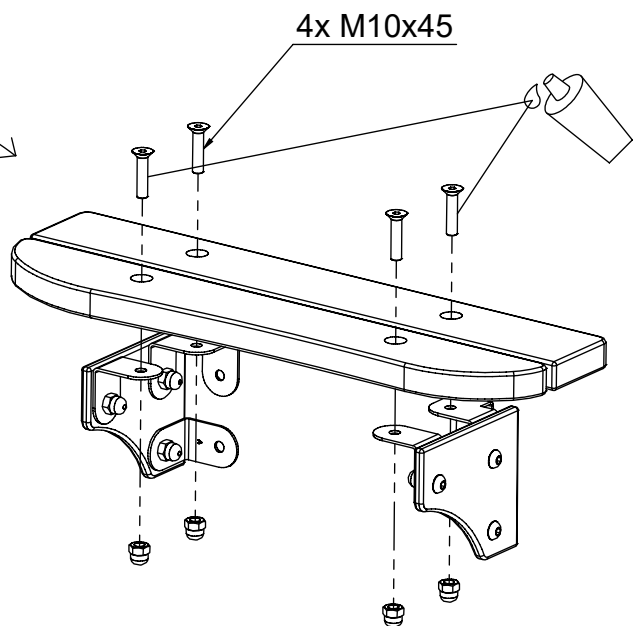


8x **5x50sxs**



6x **M10x25**

2x



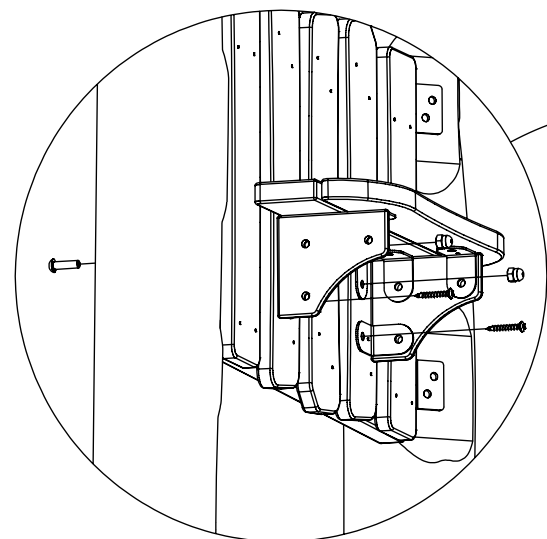
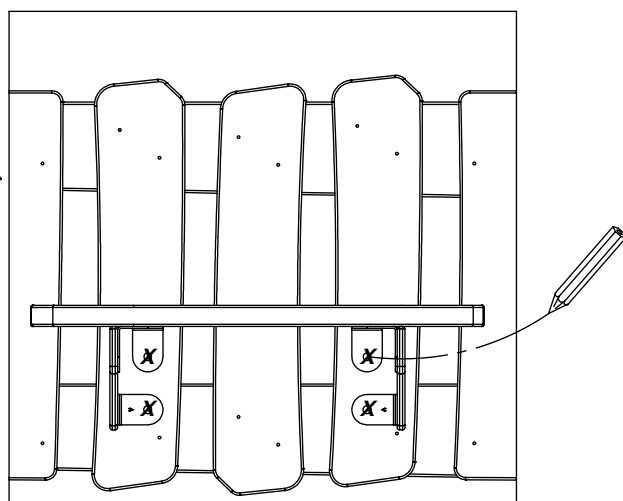
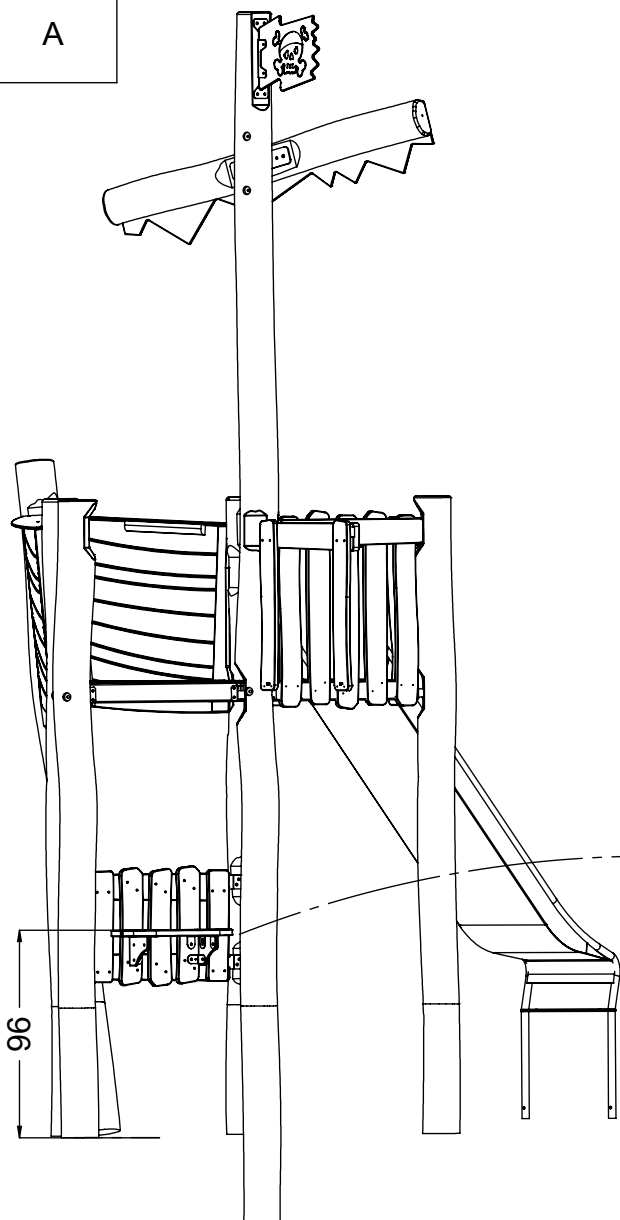
4x **M10x45**

1x **12e014**

[cm]

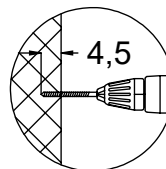
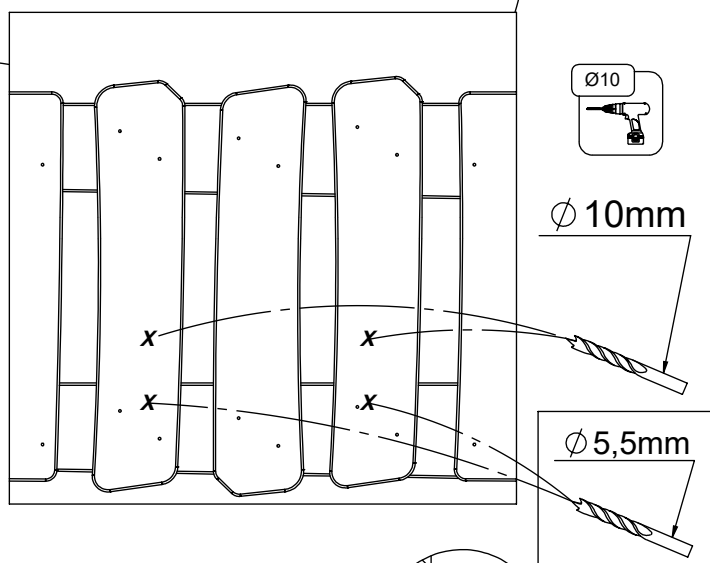
vinci
play

A



12e014

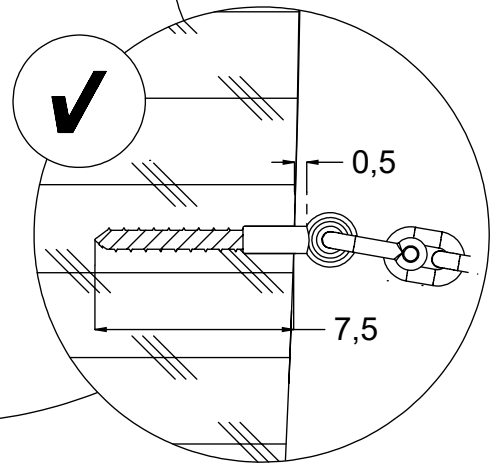
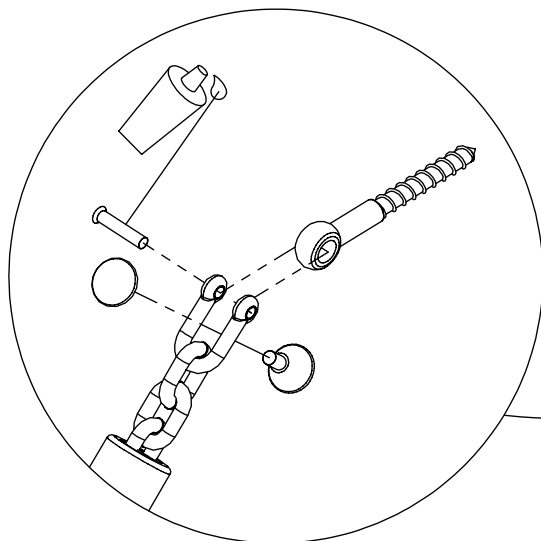
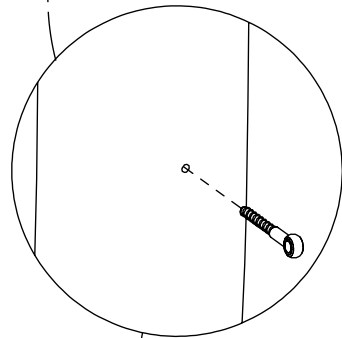
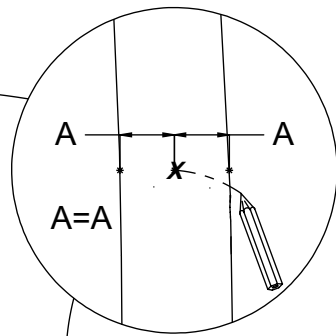
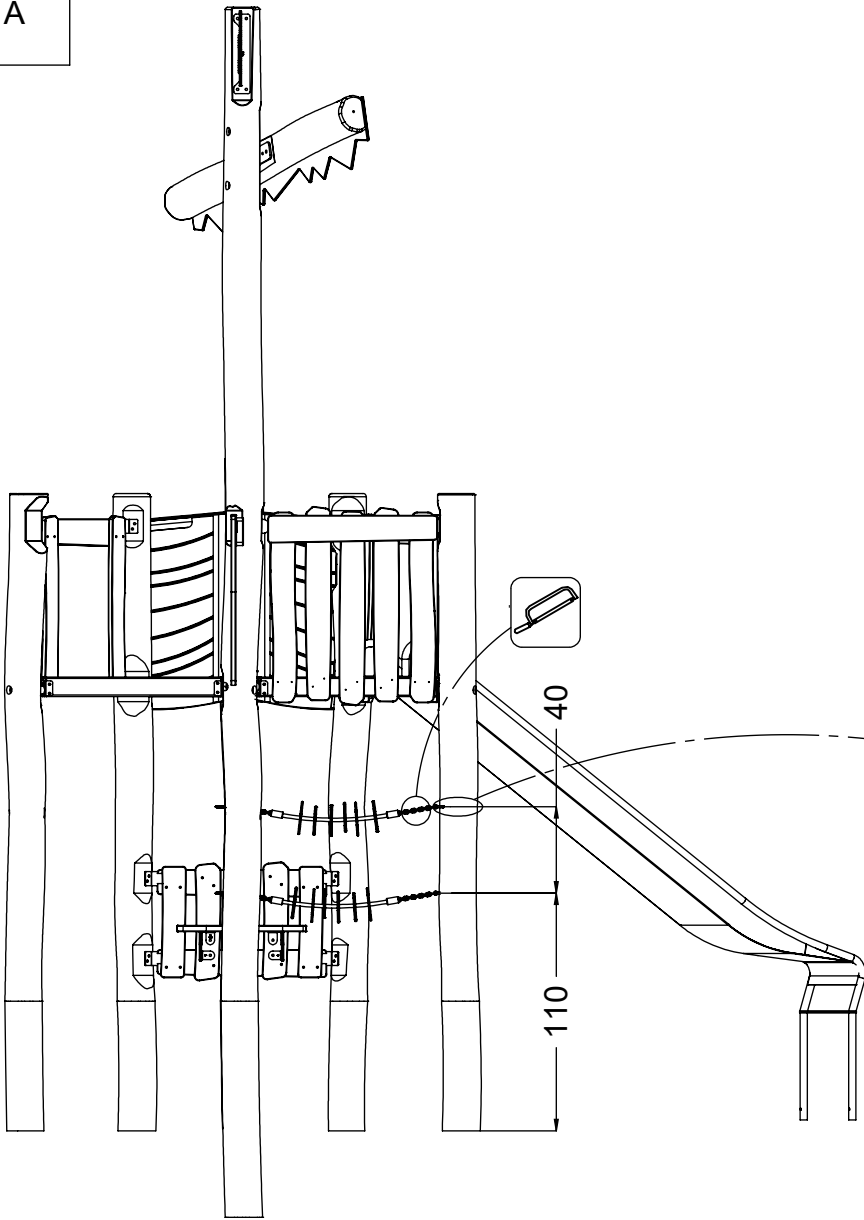
2x 8x50sxi



vinci play

[cm]

A

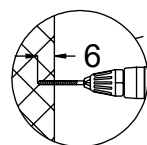
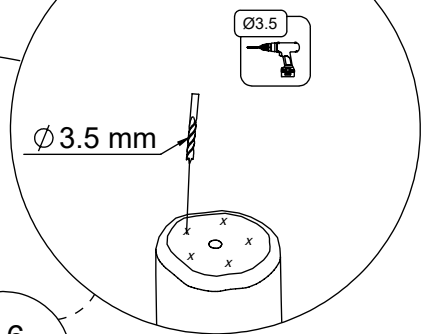
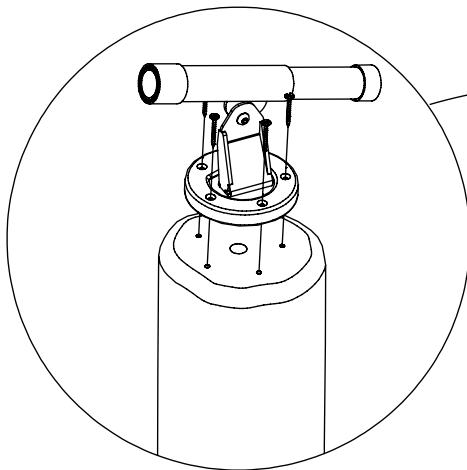
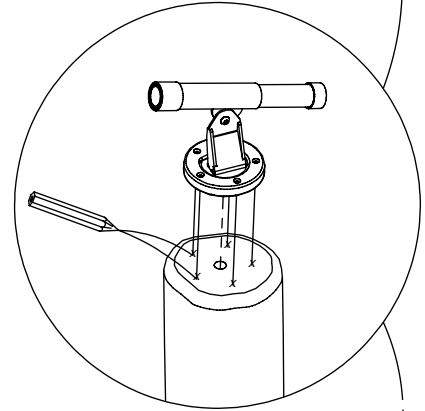
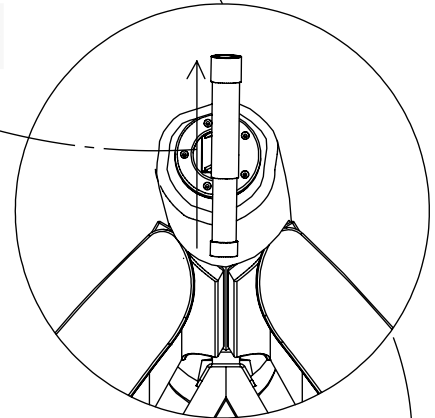
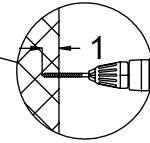
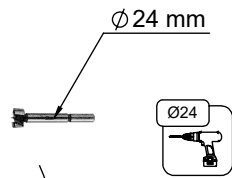
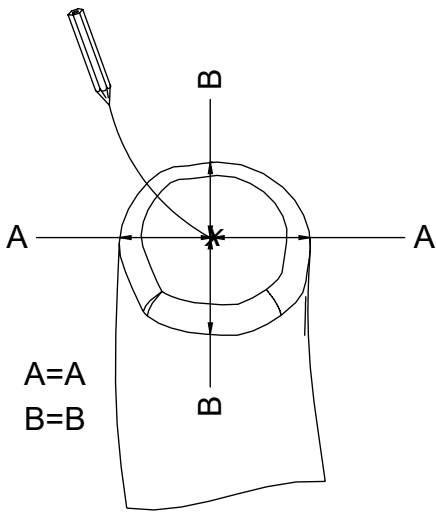


2x 12e007

[cm]

vinci
play

A



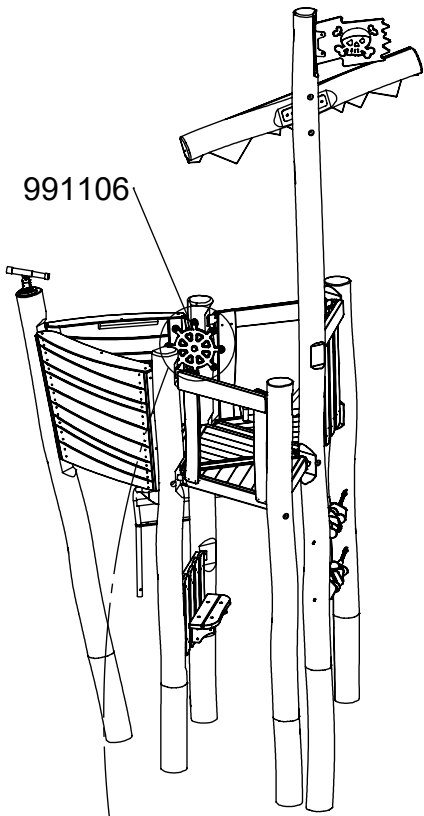
5x 5x80sxs

127208

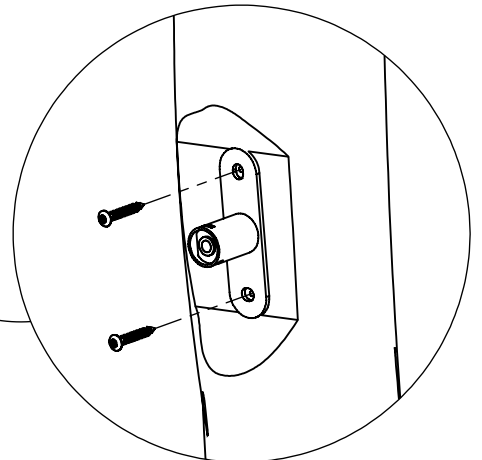
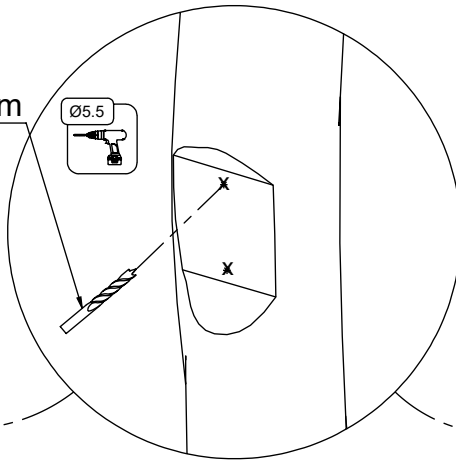
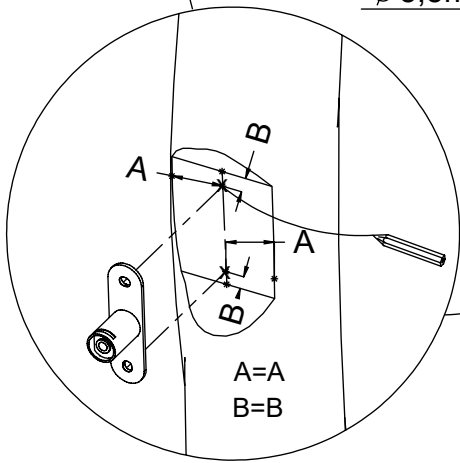
[cm]

vinci play

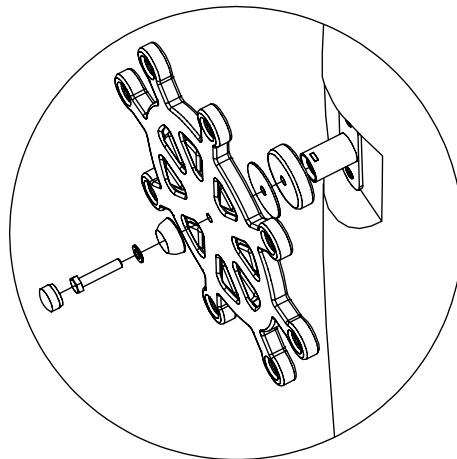
991106



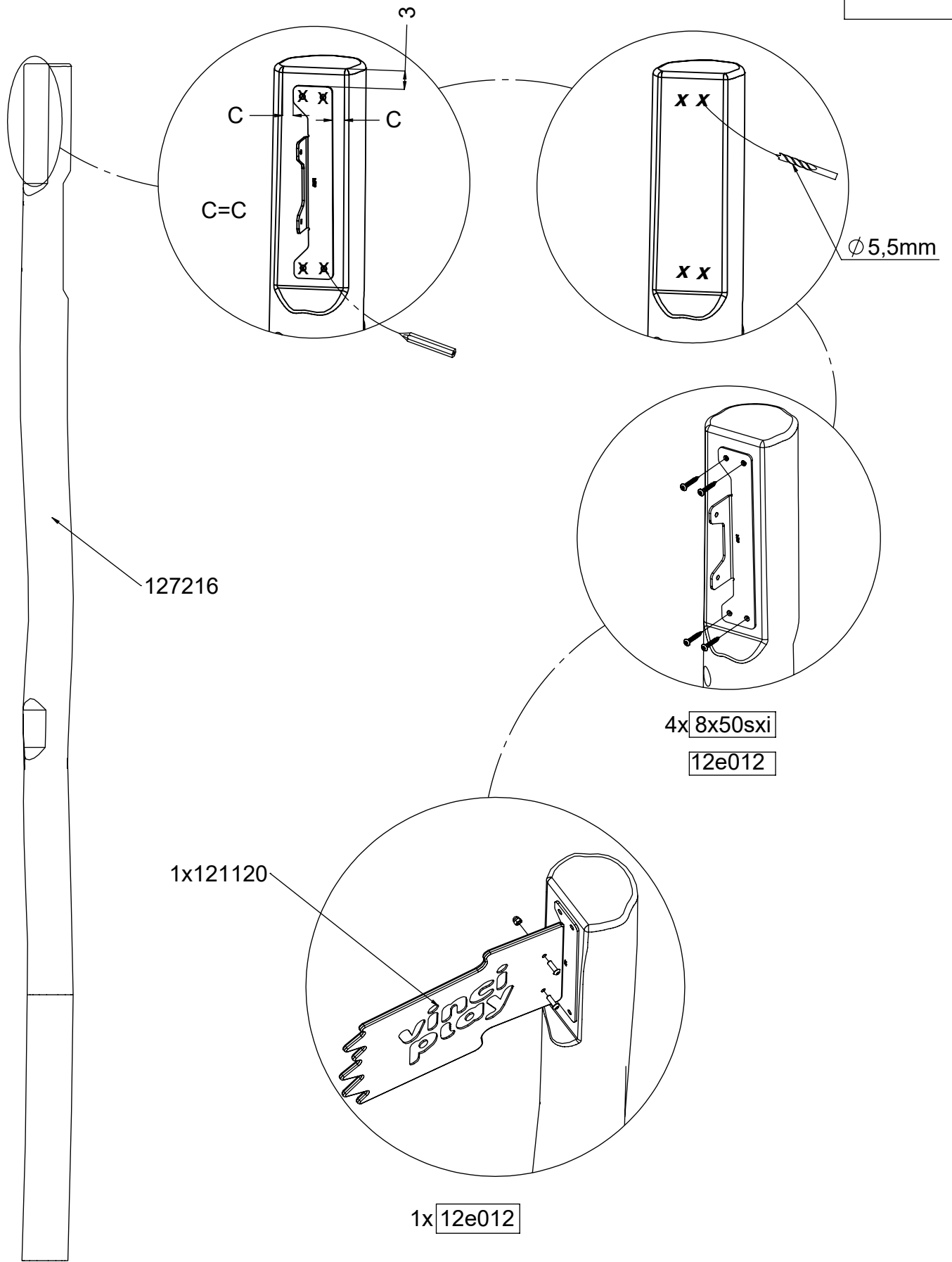
Ø 5,5mm



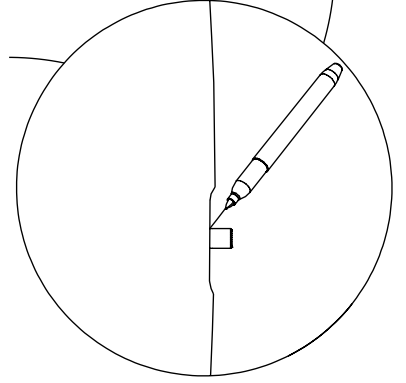
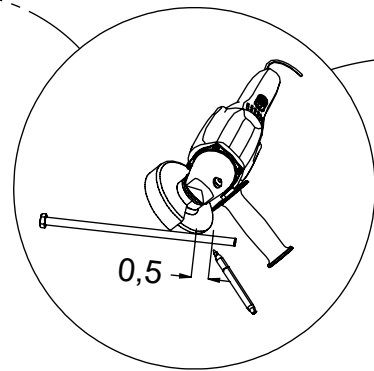
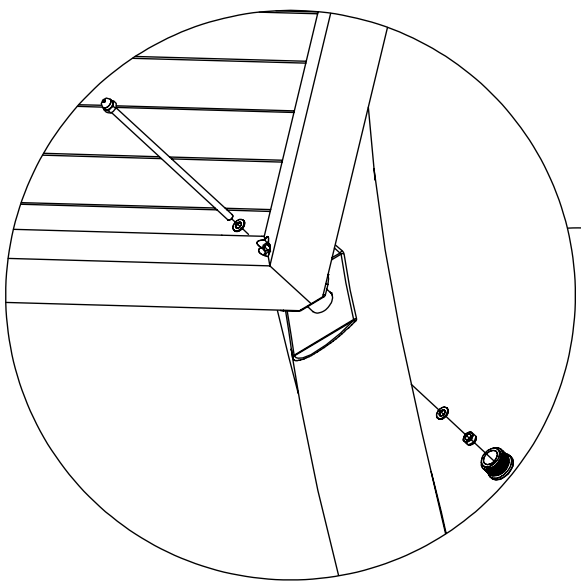
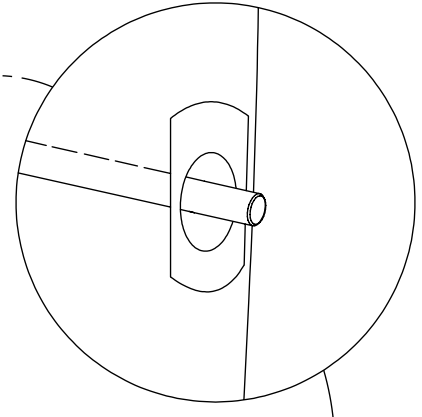
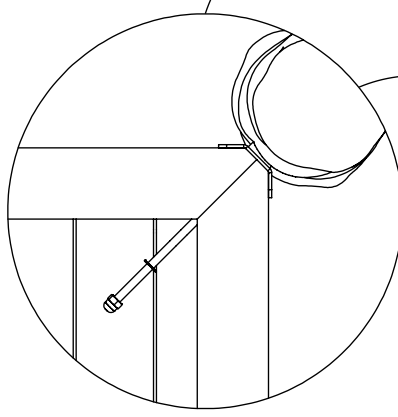
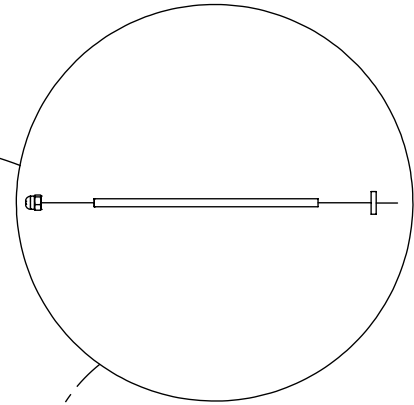
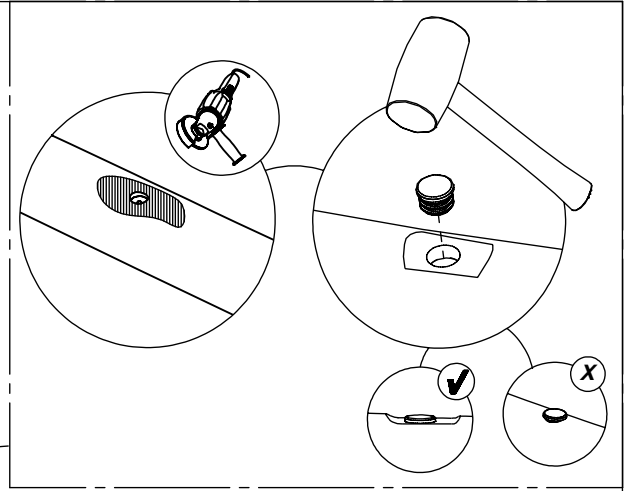
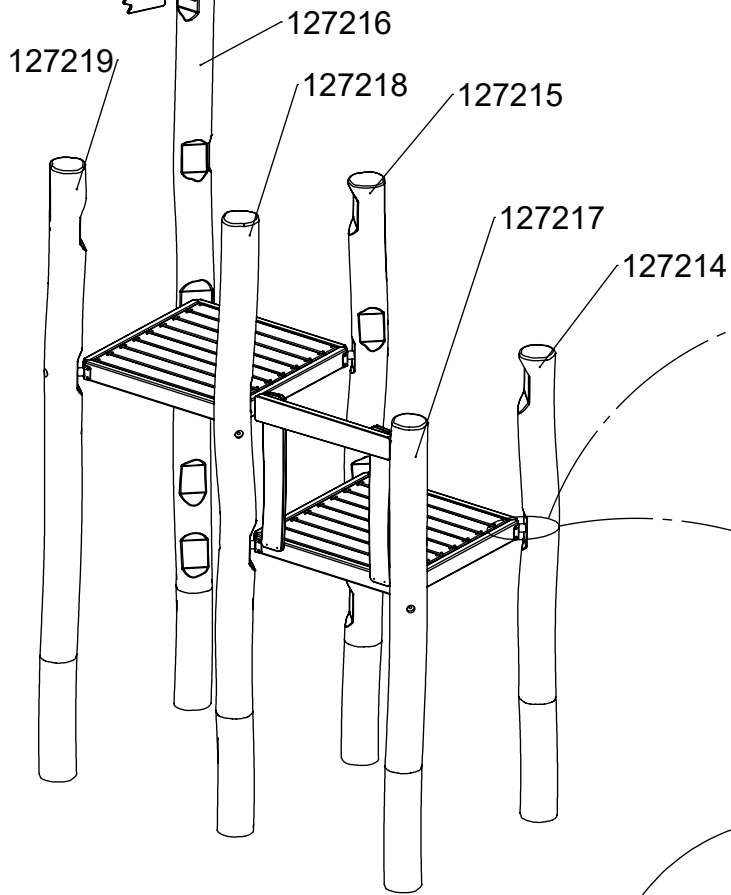
2x 8x50sxi



1x 12e010



B

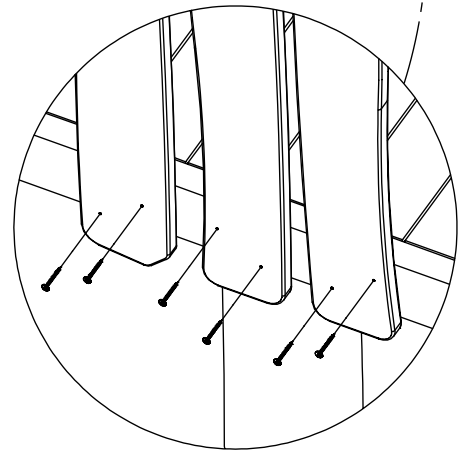
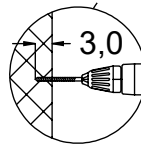
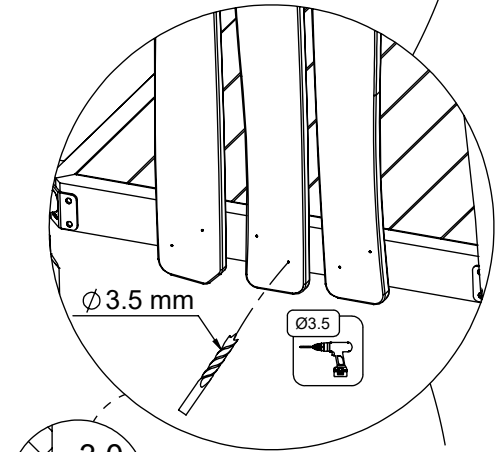
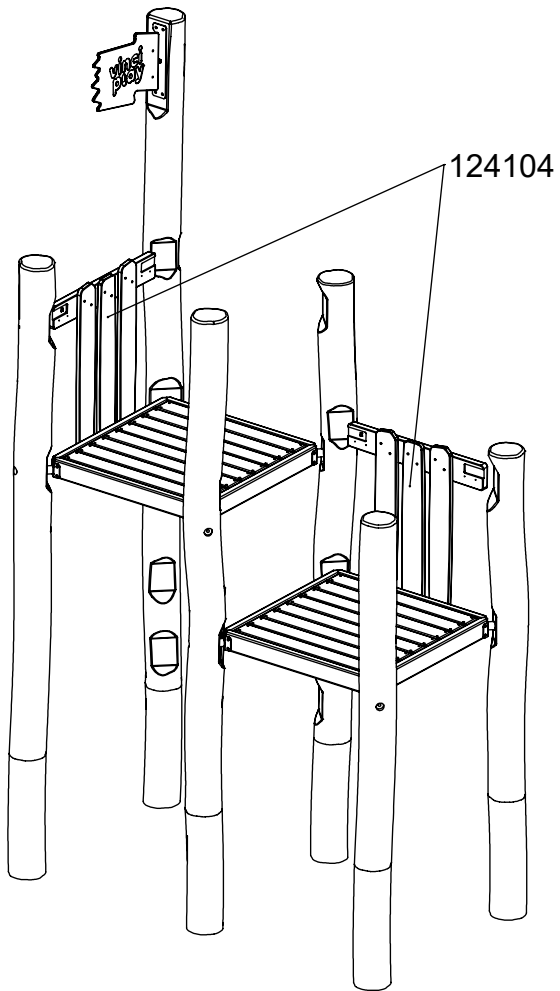
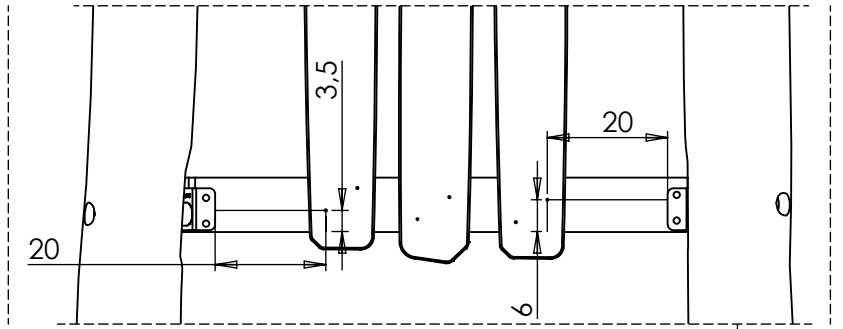


2x 12e004

[cm]

vinci
play

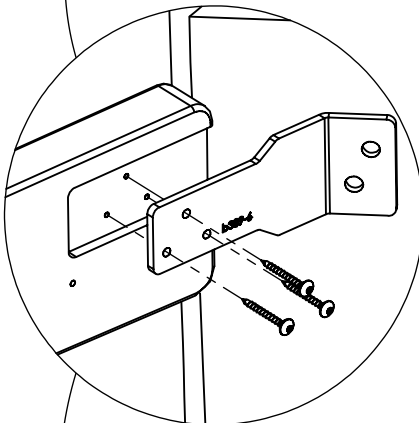
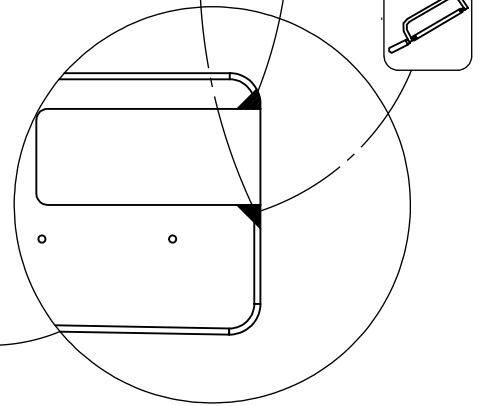
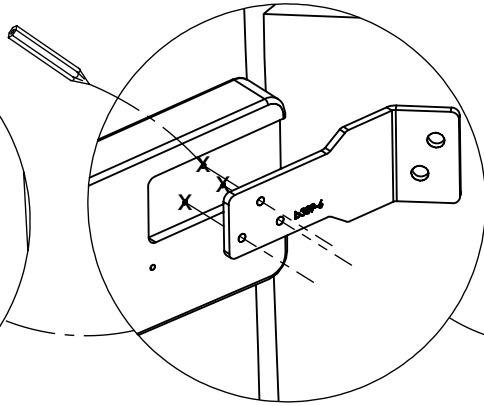
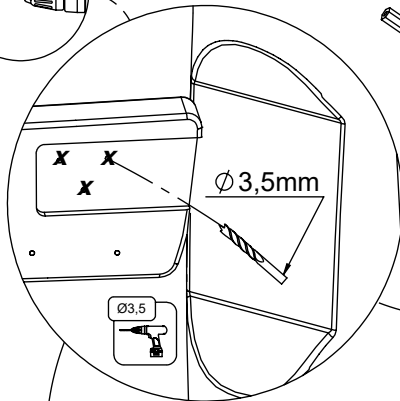
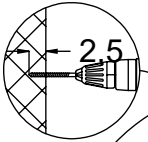
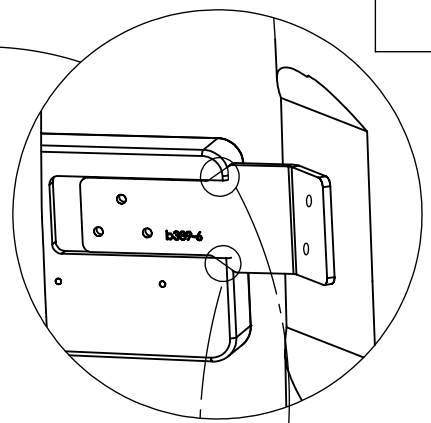
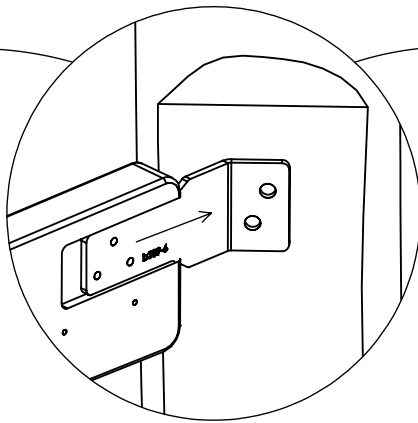
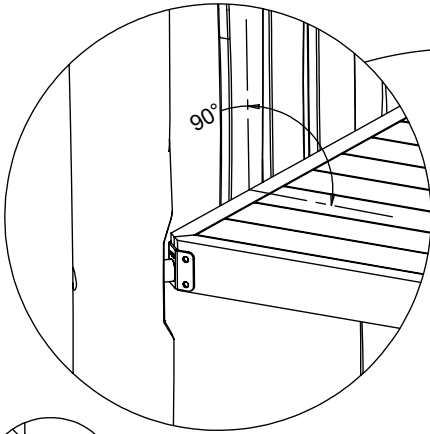
B



12x 5x50sxs

[cm]

vinci
play

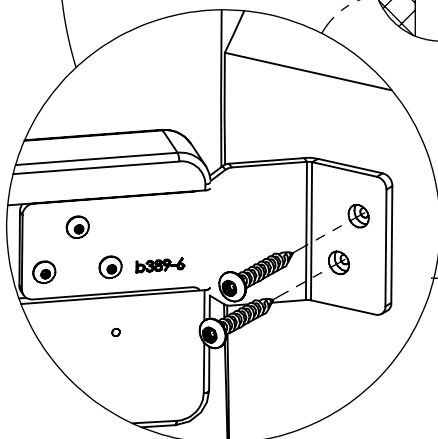
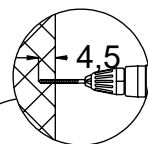


2x b389

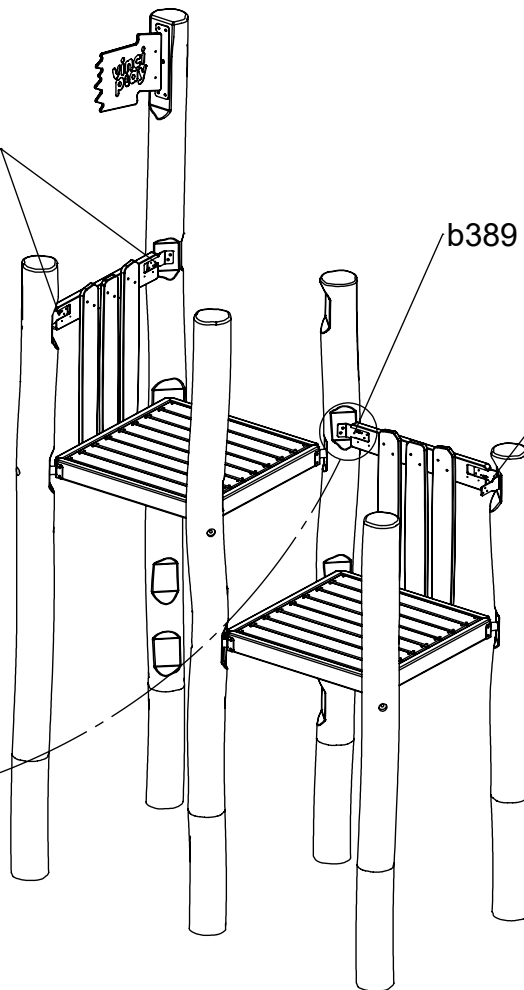
b389

b390

12x 5x30sxs

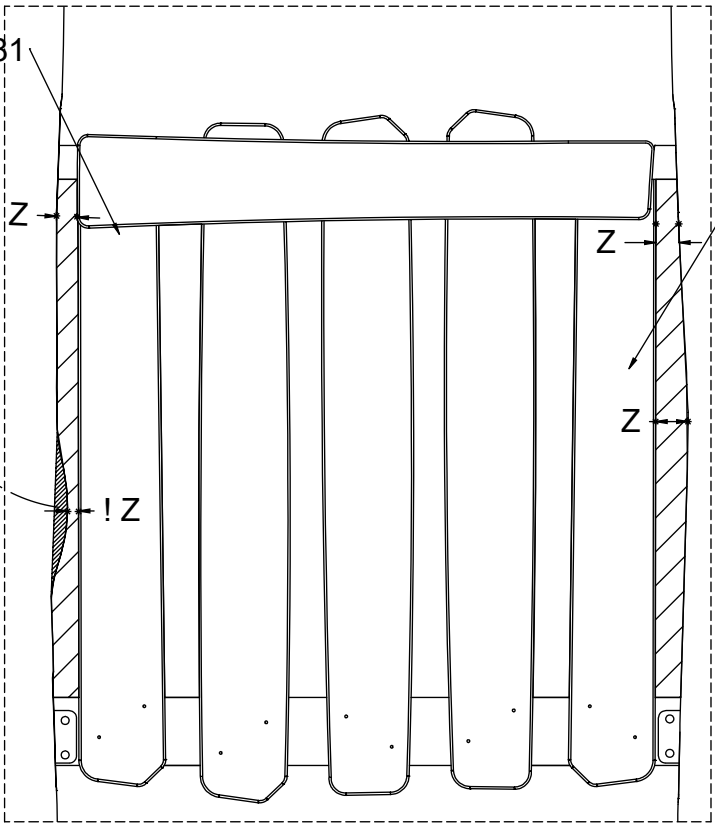


8x 8x50sxi

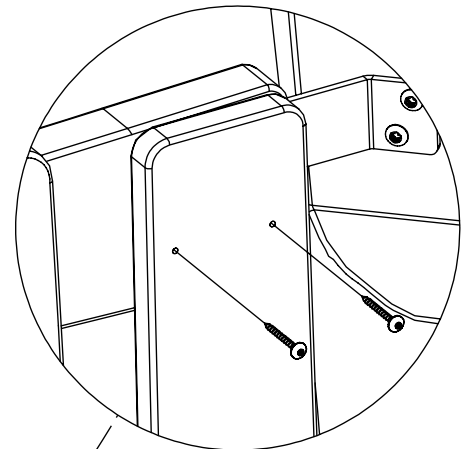


128181

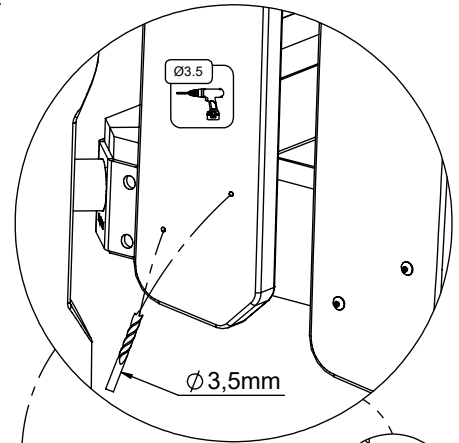
128181



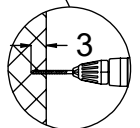
! 30mm < Z < 85mm



8x 5x50sxs



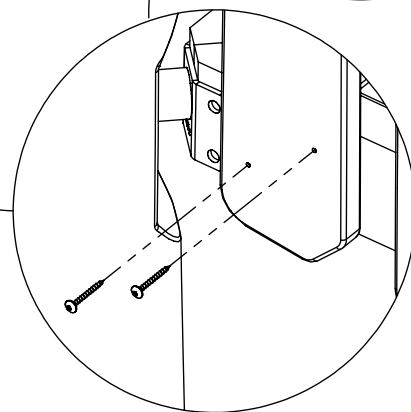
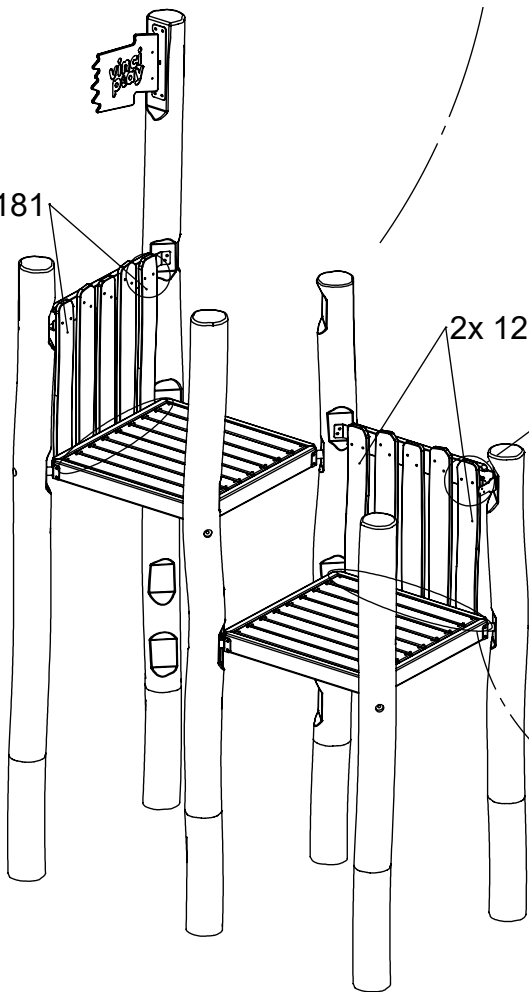
Ø 3,5mm



3

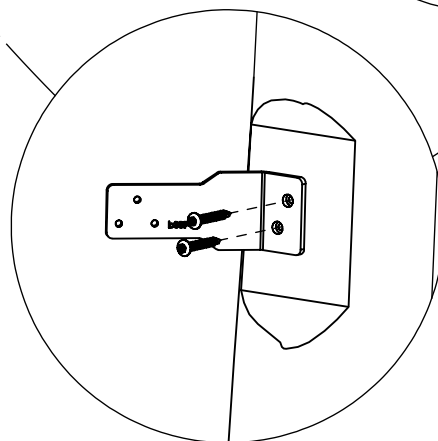
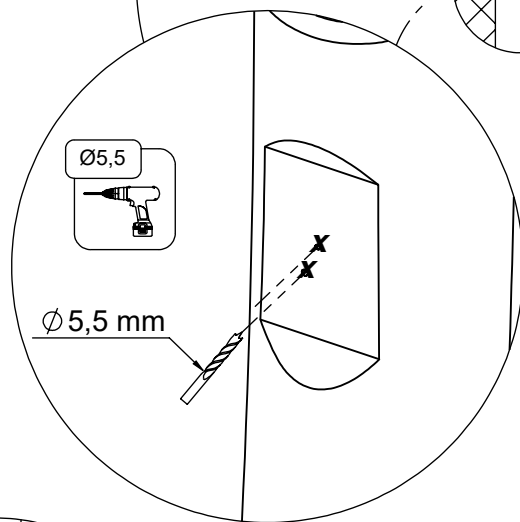
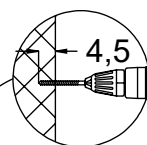
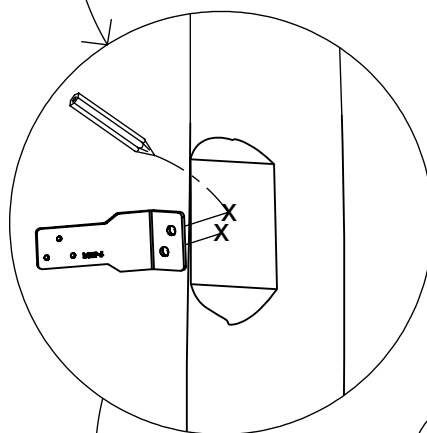
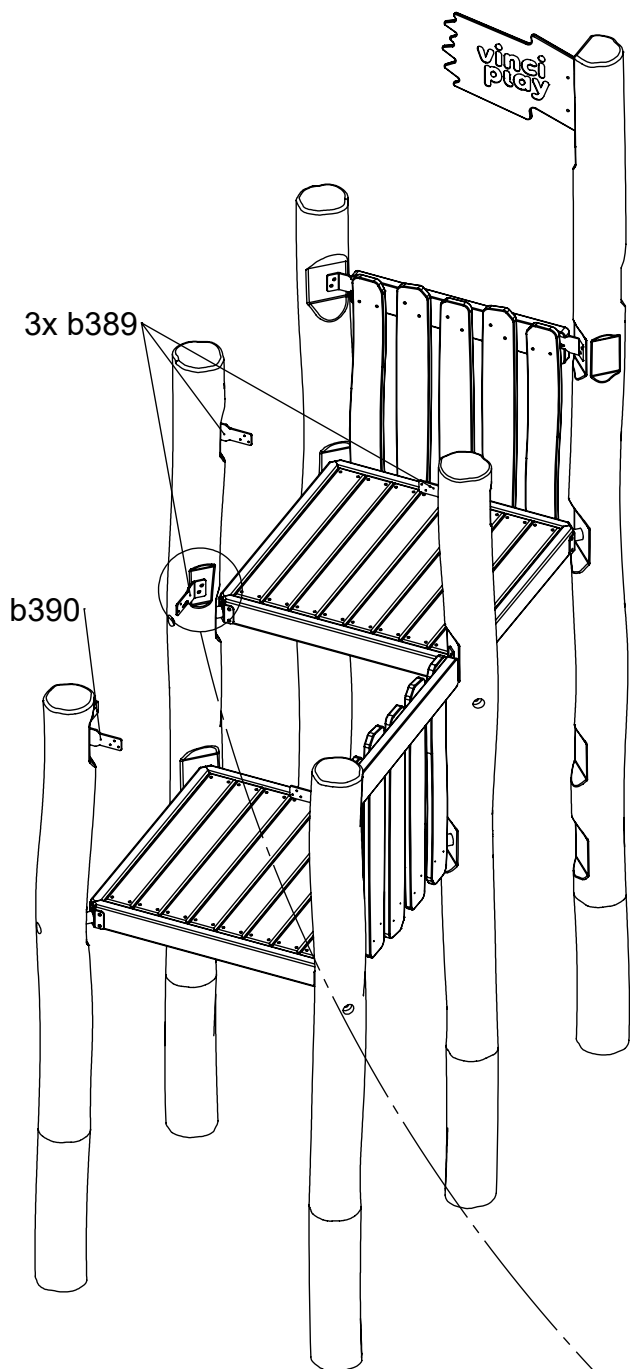
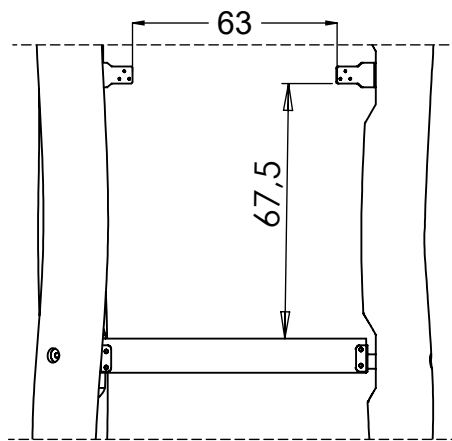
2x 128181

2x 128181



8x 5x50sxs

B



8x 8x50sxi

[cm]

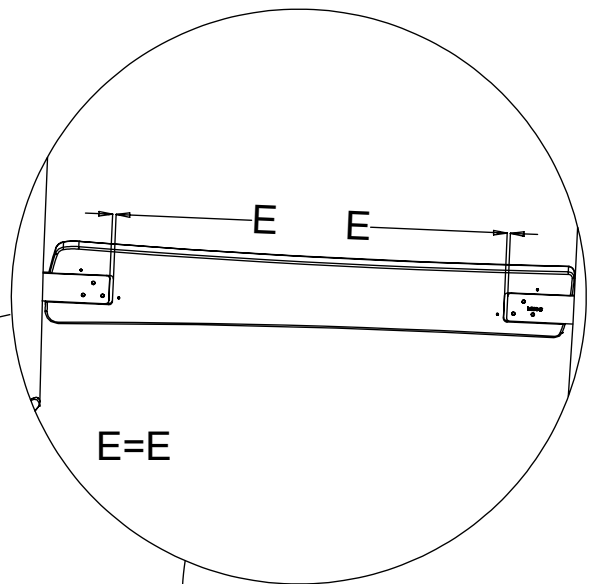
vinci play

vinci play

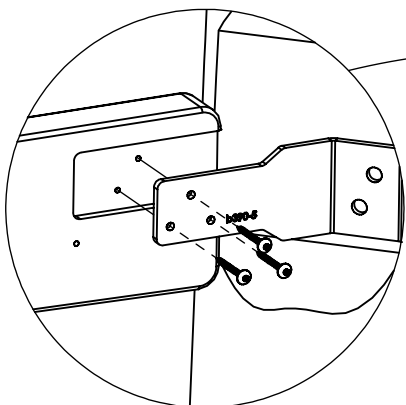
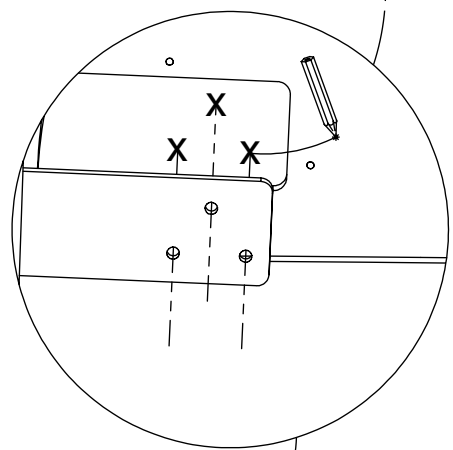
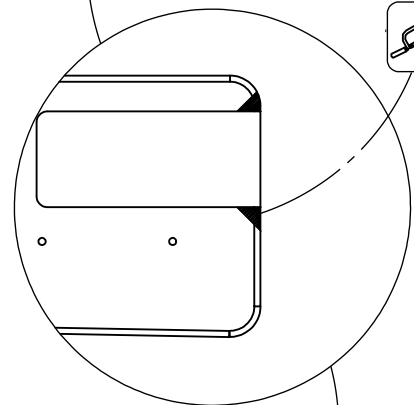
128168

128107

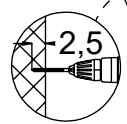
128107



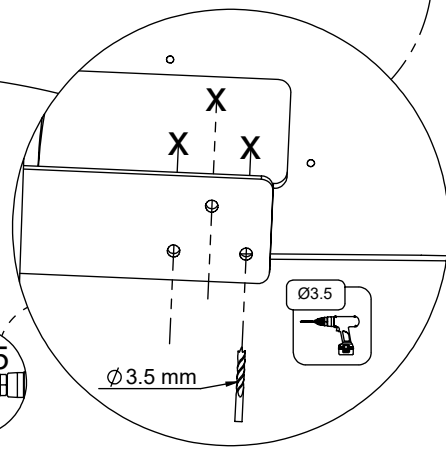
E=E



18x5x30sxs



2,5



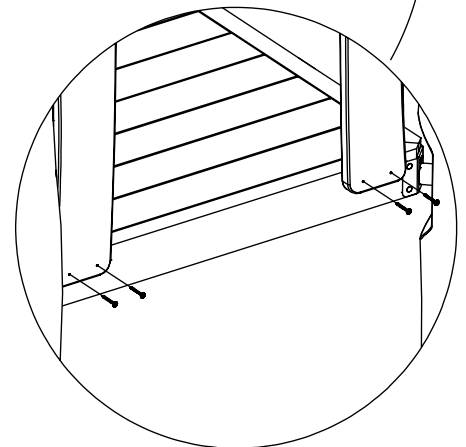
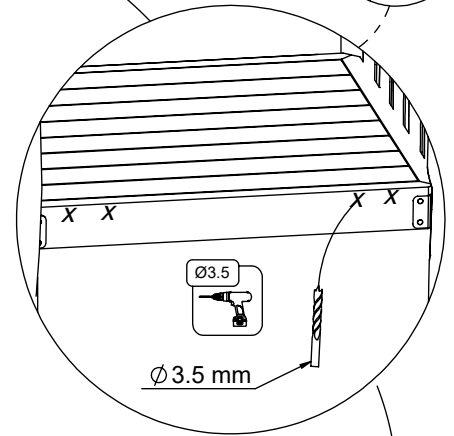
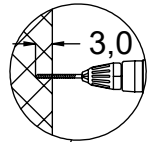
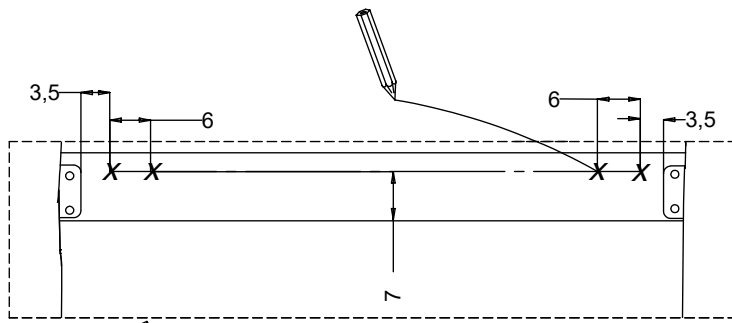
Ø3.5 mm

Ø3.5

[cm]

vinci play

B



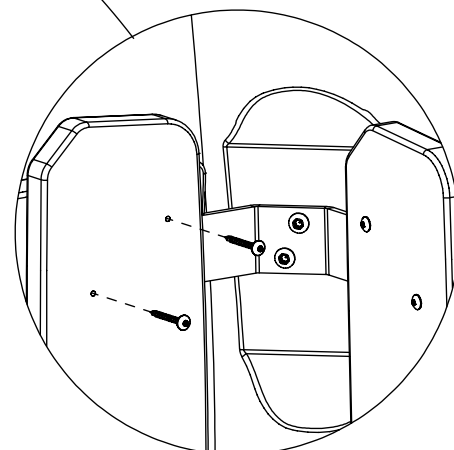
8x 5x50sxs

128179

128113

128179

128113

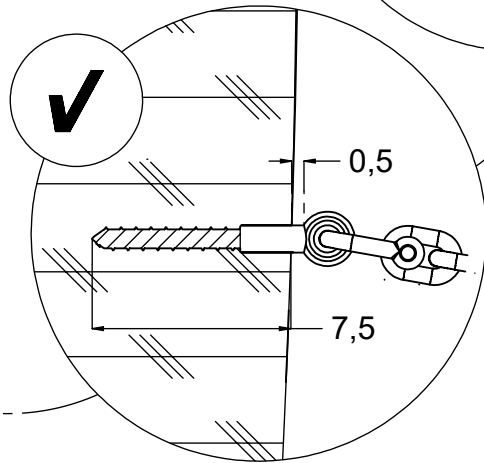
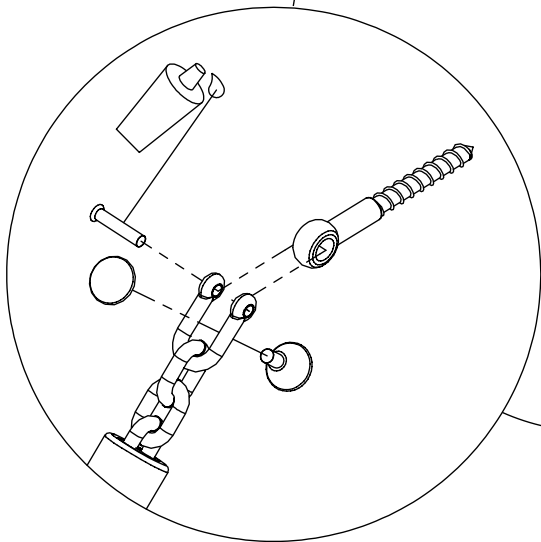
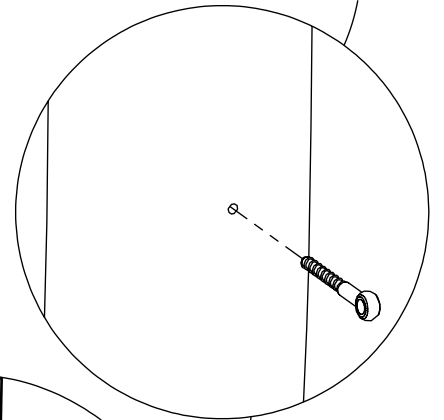
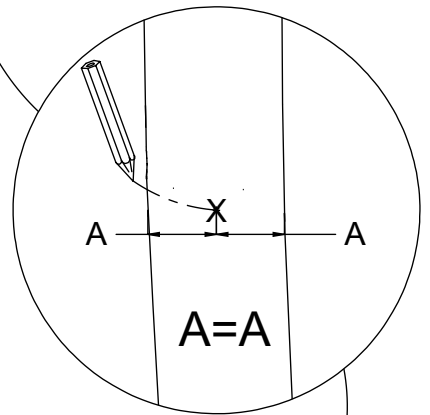
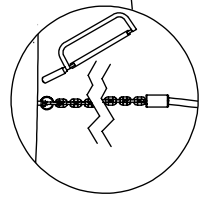
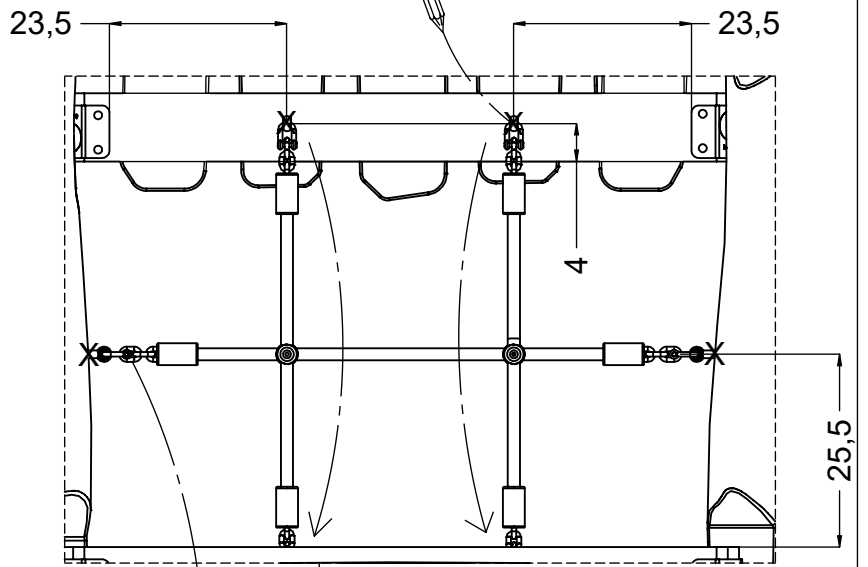
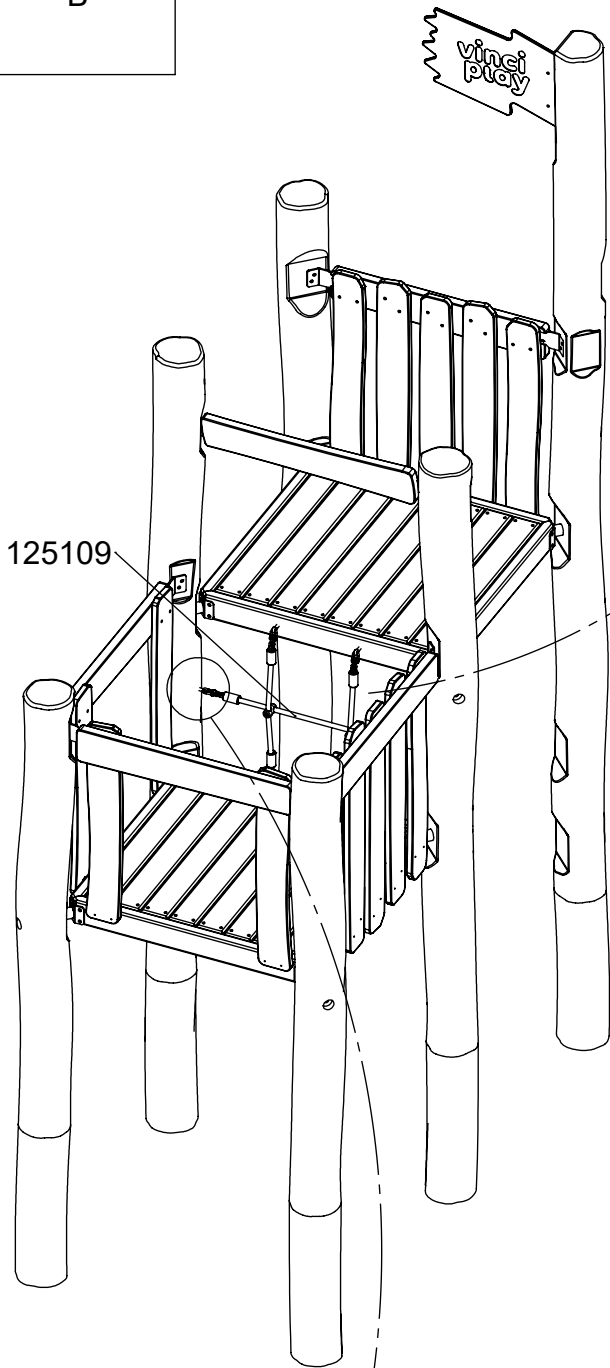


8x 5x50sxs

[cm]

vinci
play

B

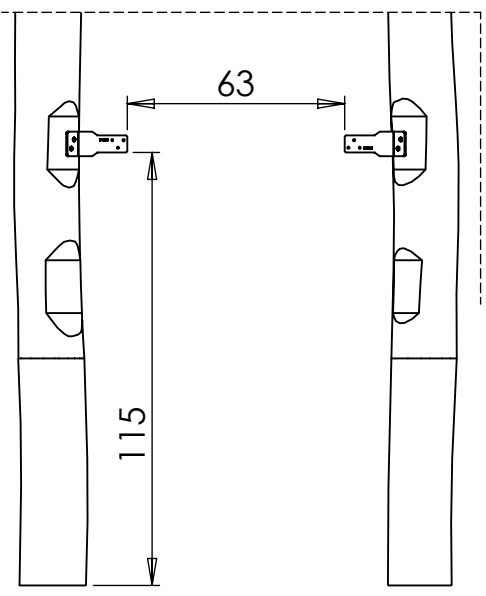
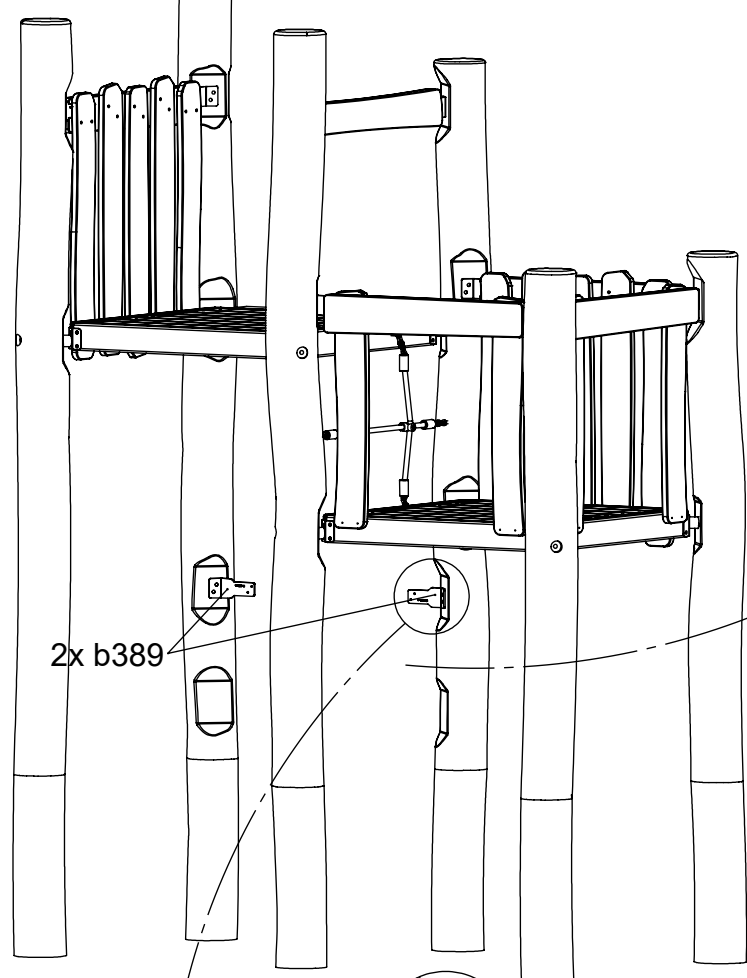


2x 12e015

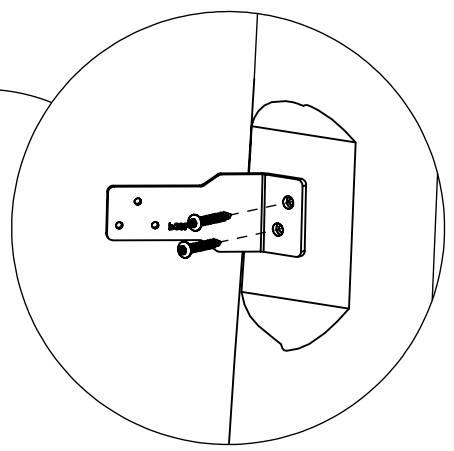
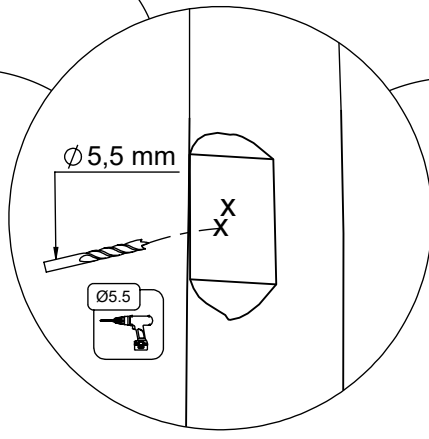
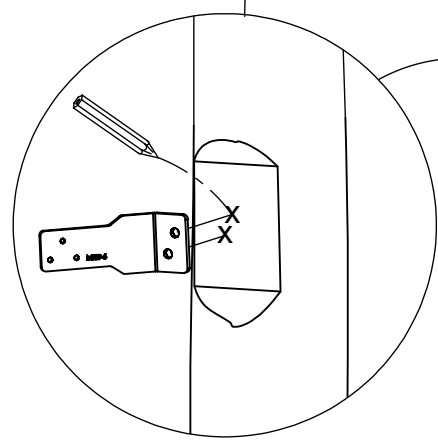
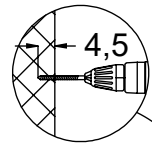
[cm]

vinci play

B



2x b389

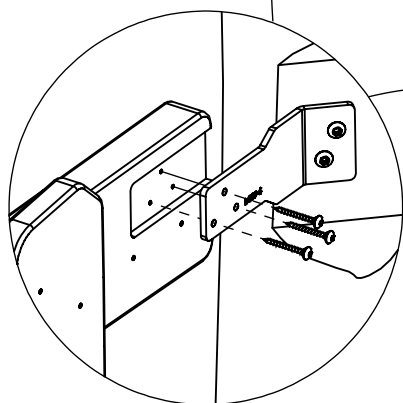
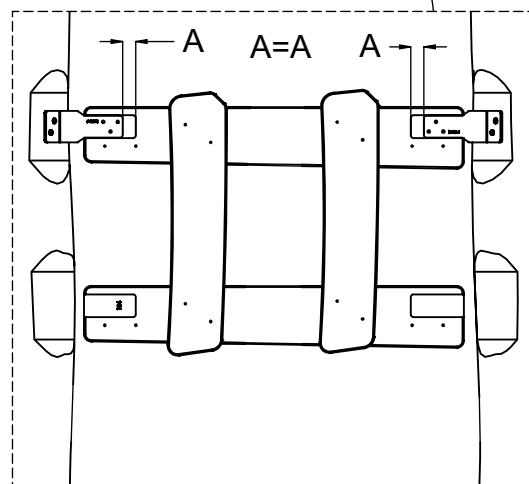
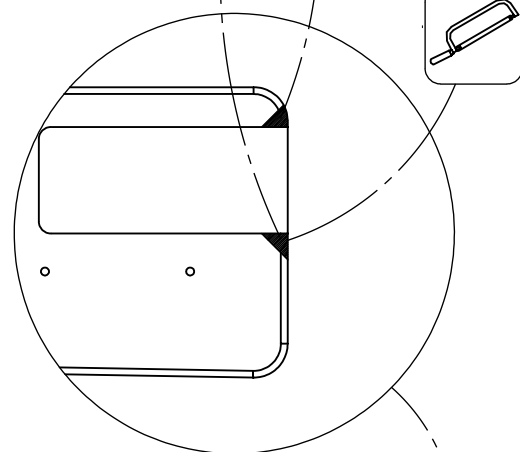
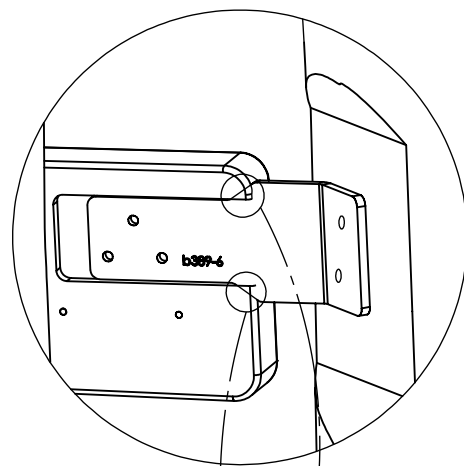
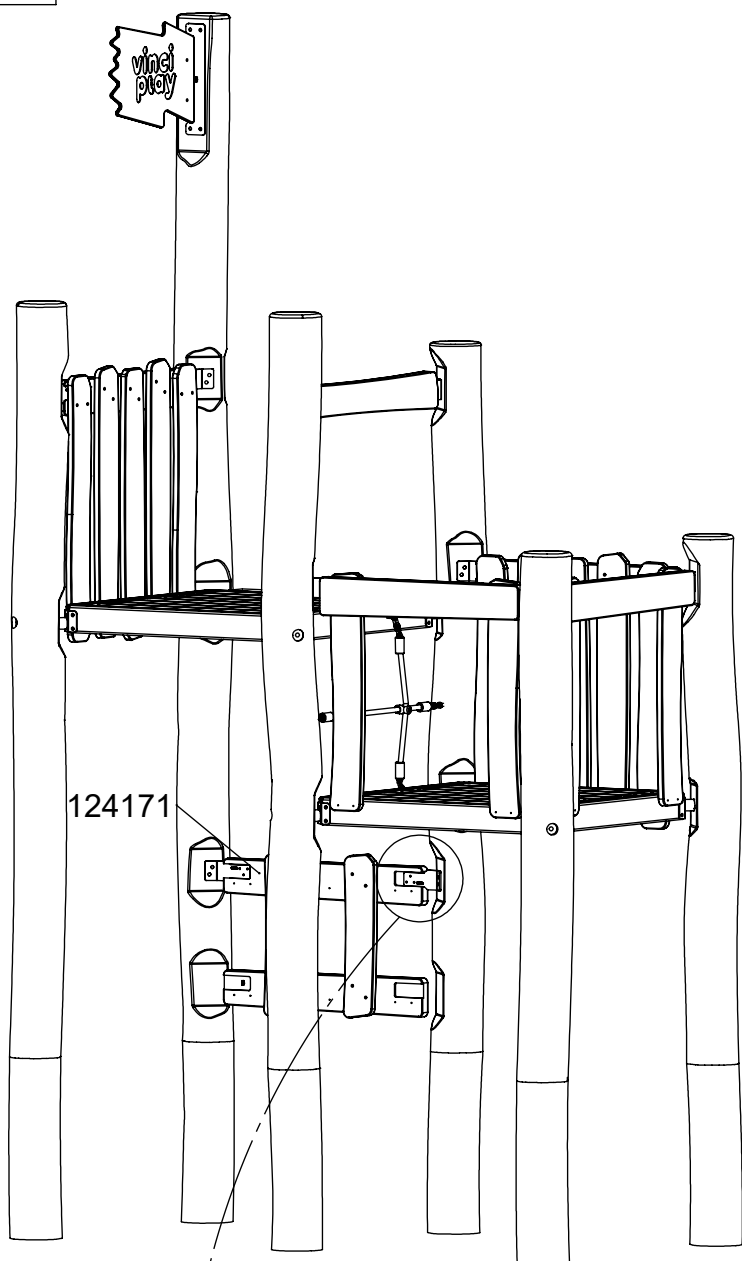


4x 8x50sxi

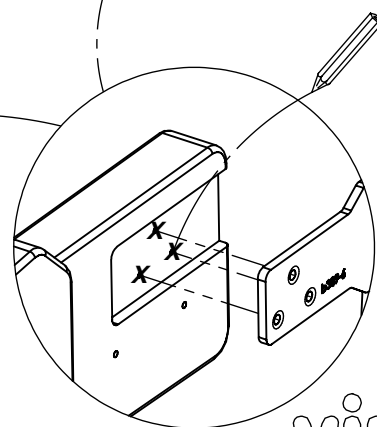
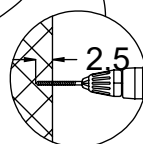
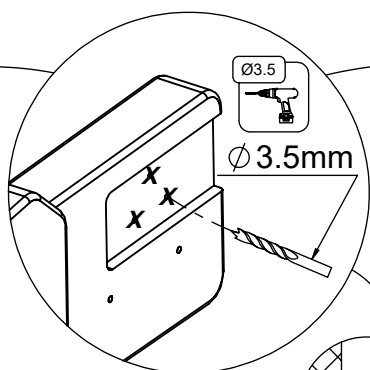
[cm]



B



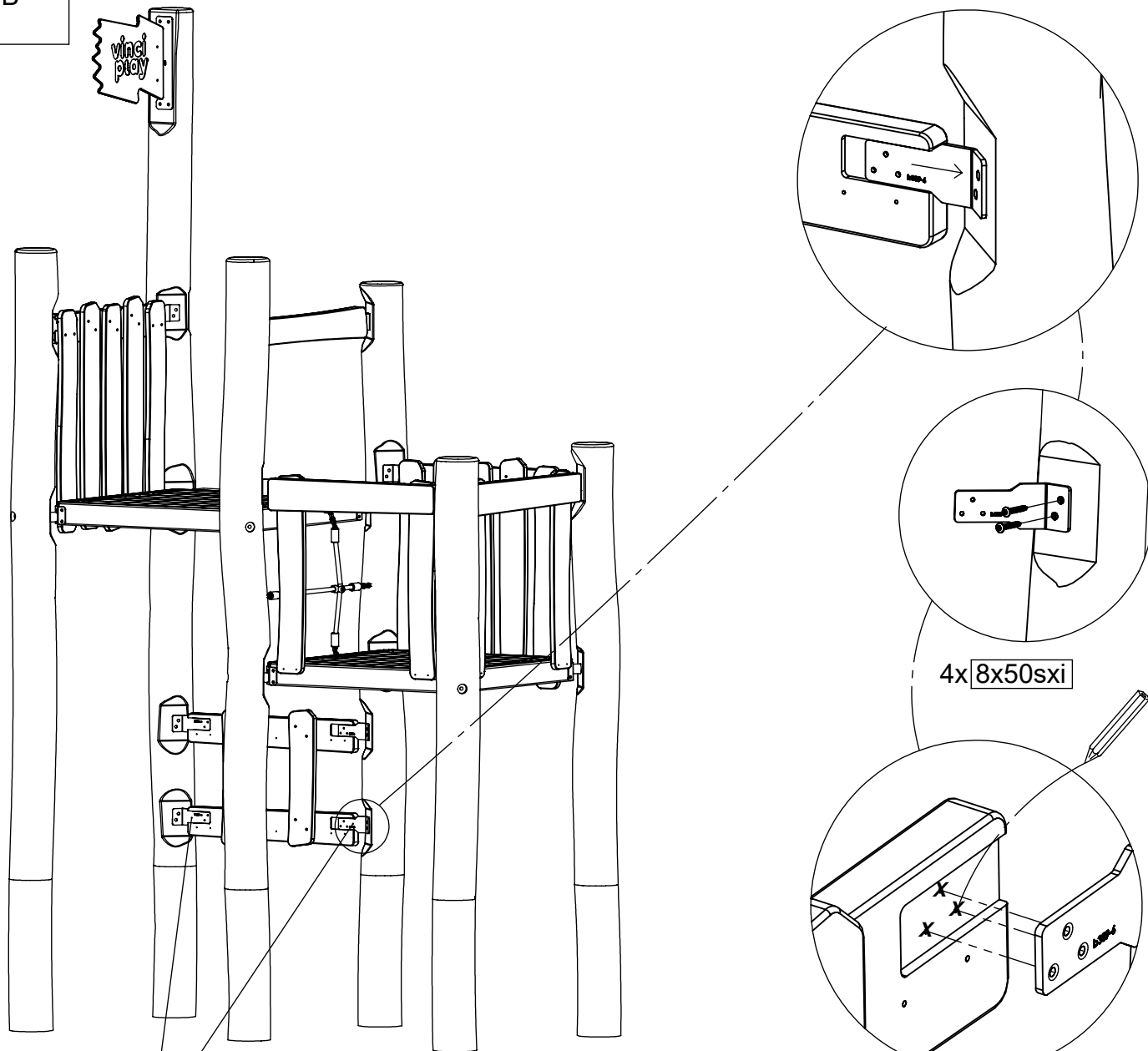
6x5x30sxs



vinci
play

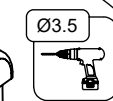
[cm]

B

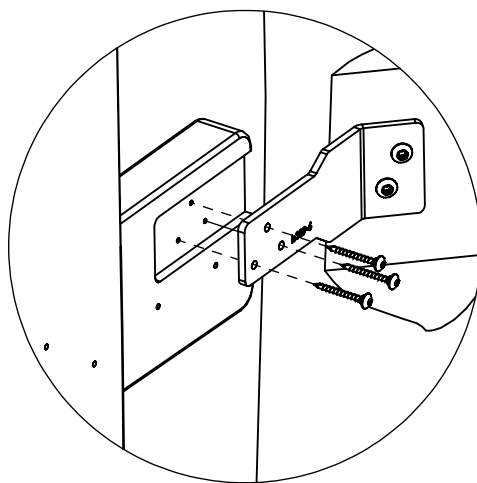


4x 8x50sxi

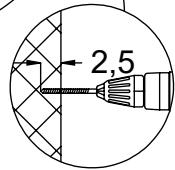
2x b389



Ø 3.5mm



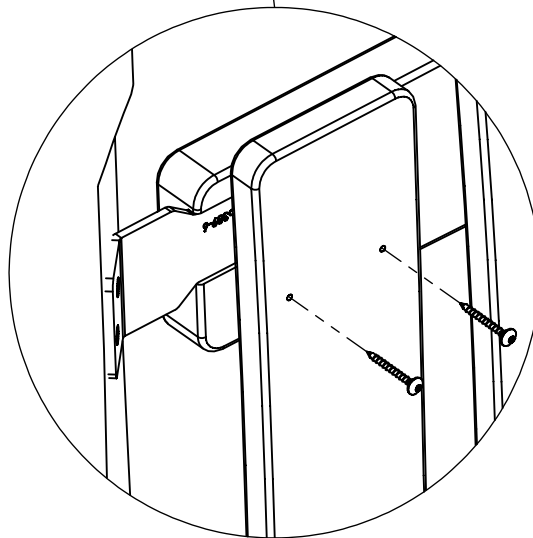
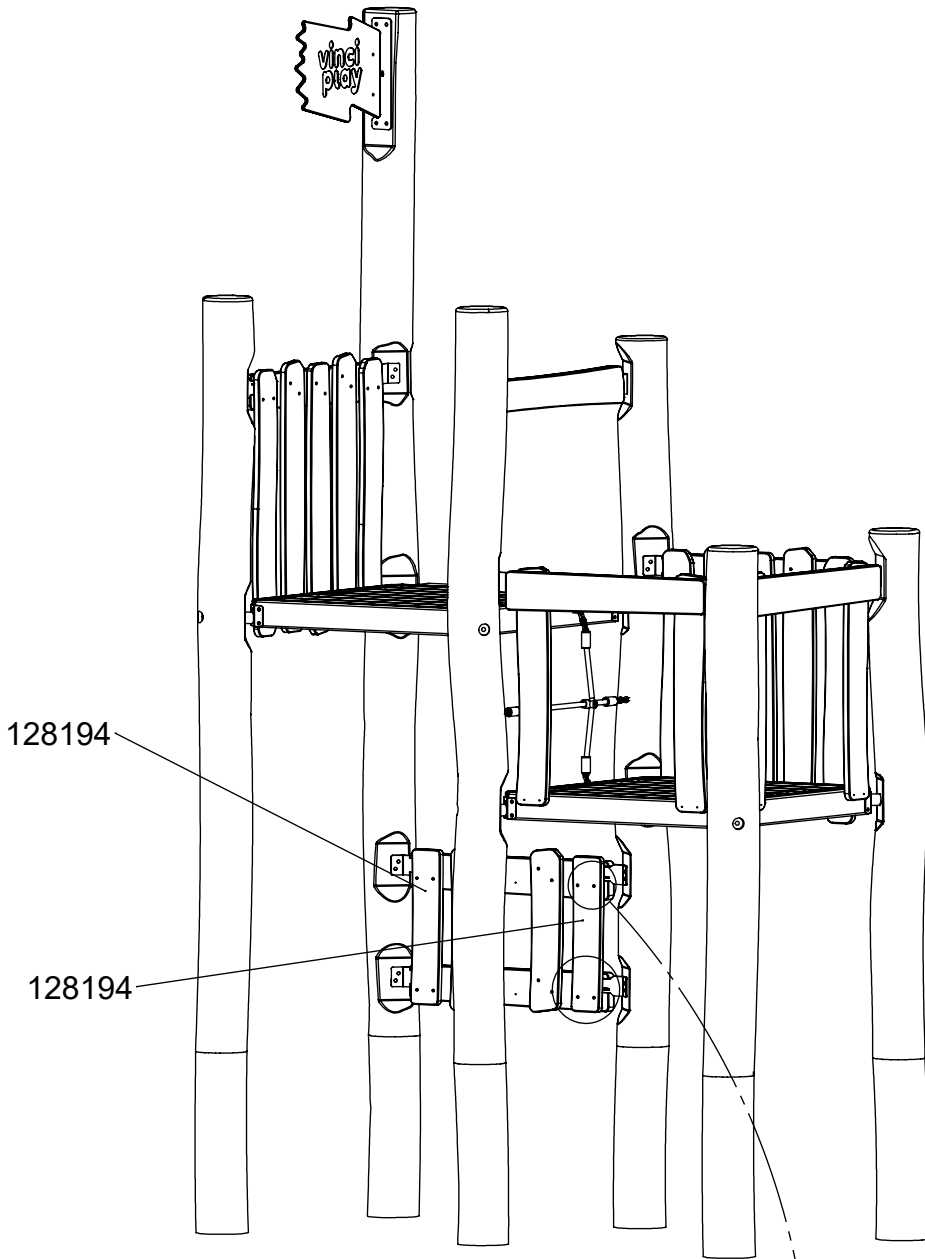
6x 5x30sxs



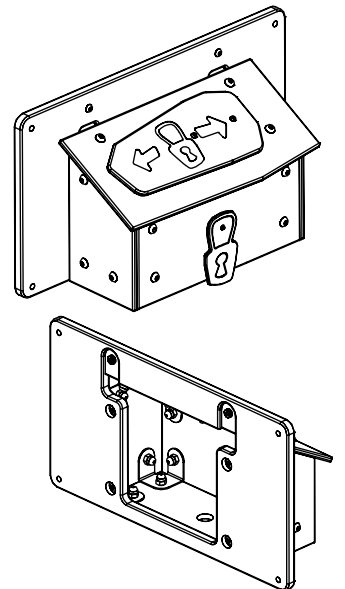
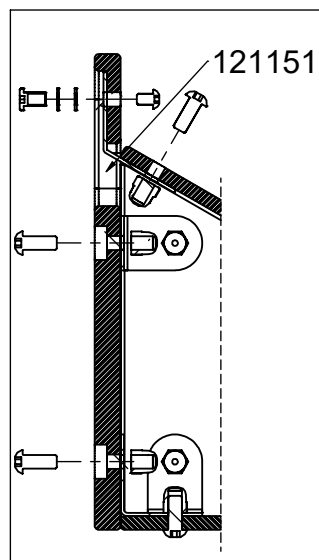
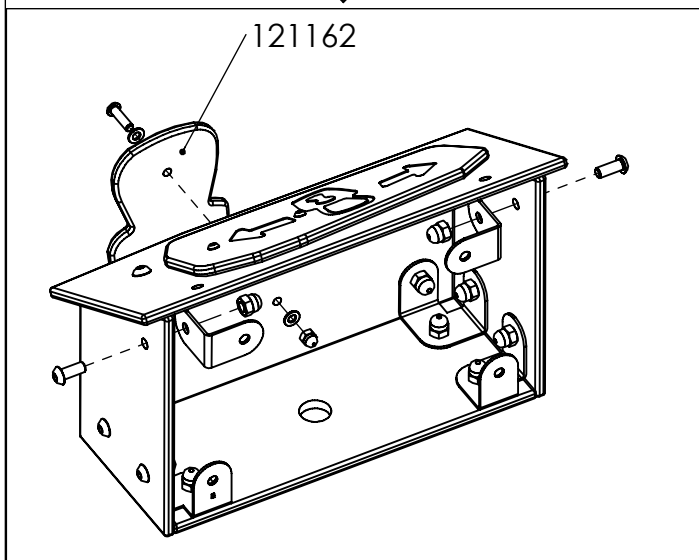
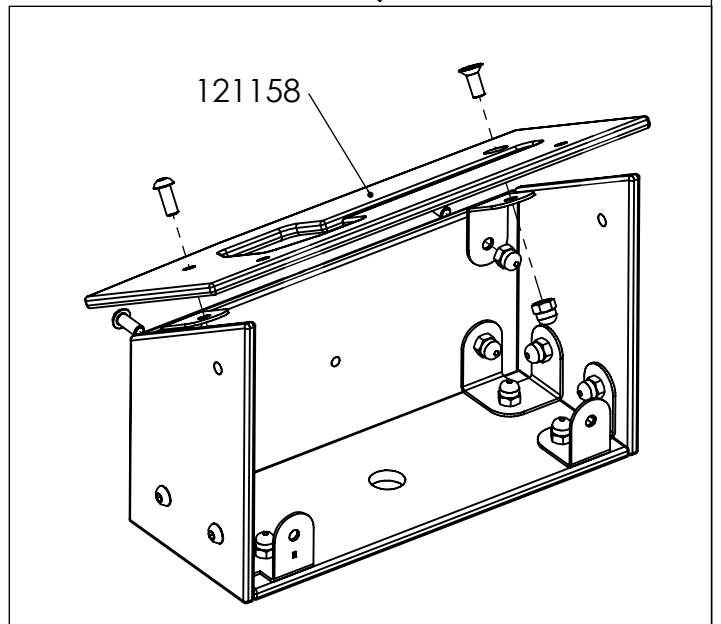
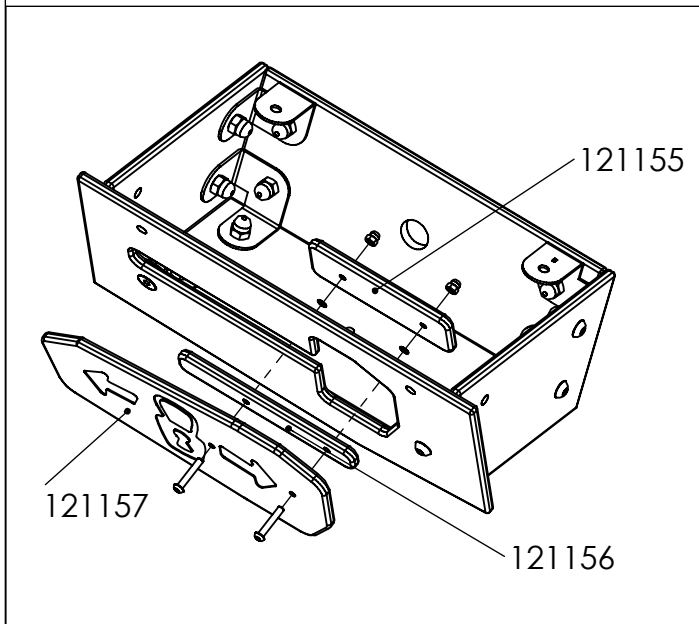
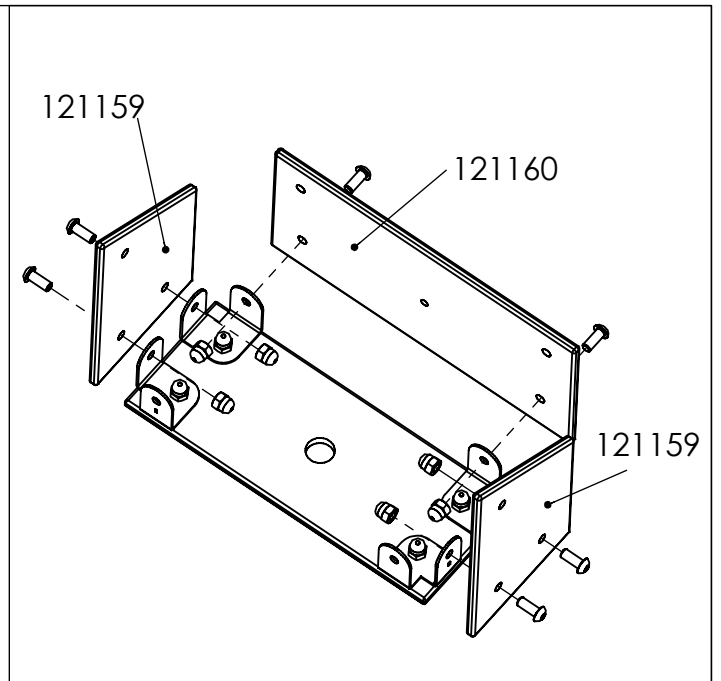
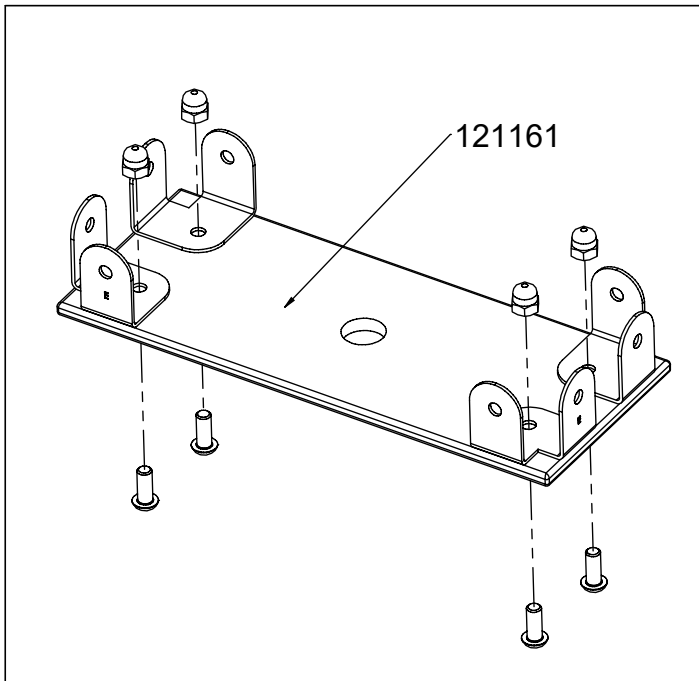
2,5

[cm]

vinci
play



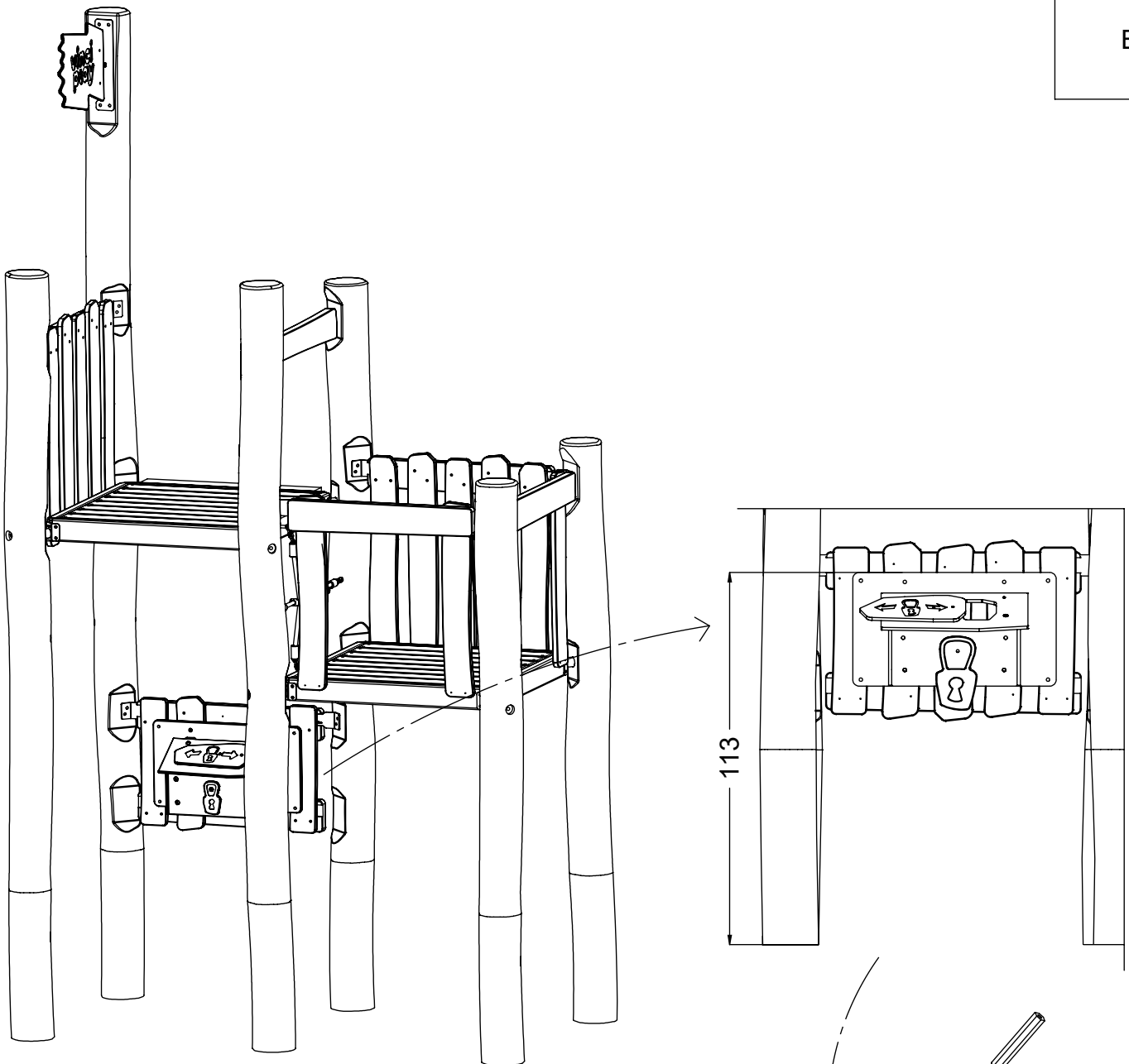
8x 5x50sxs



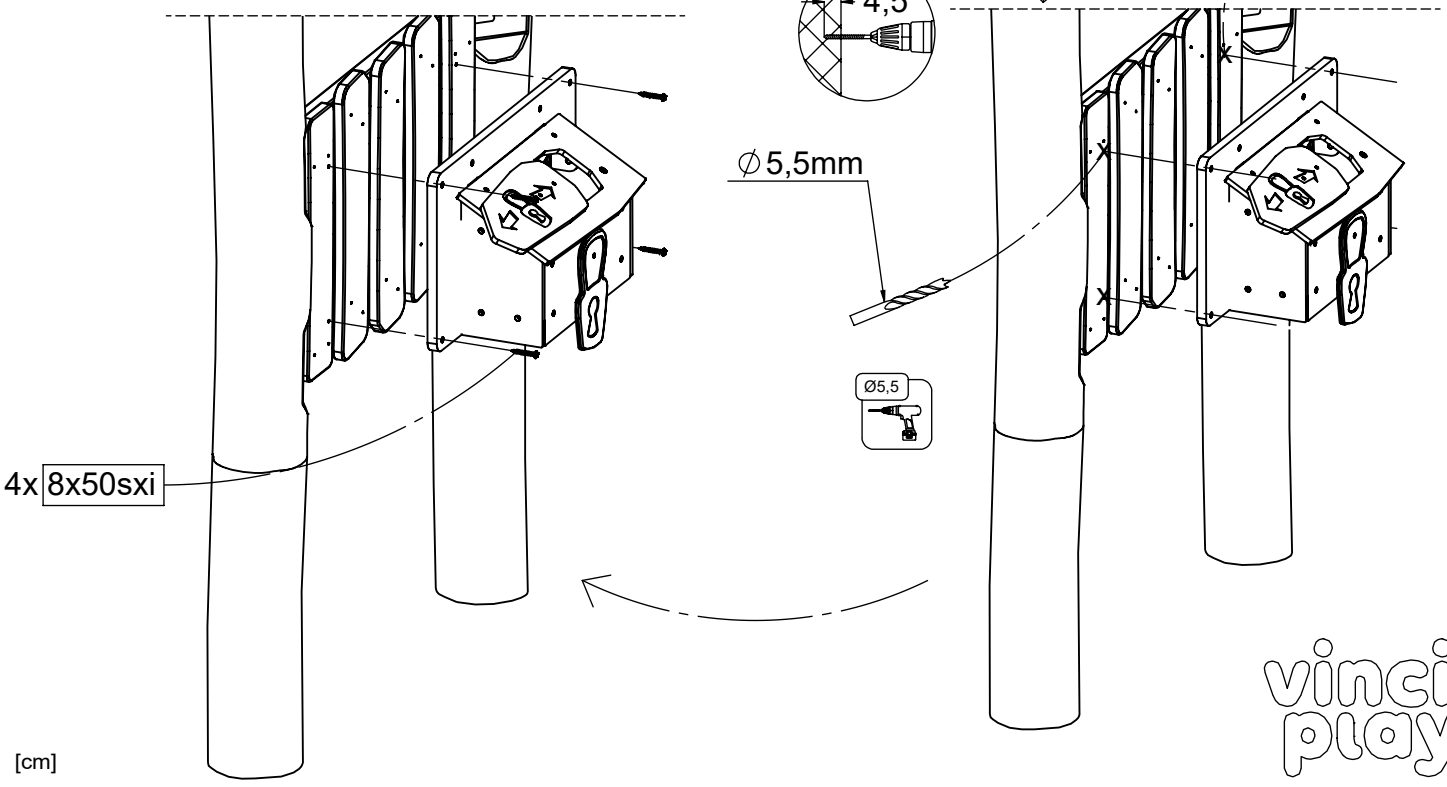
1x 12e054

[cm]

vinci
play



113



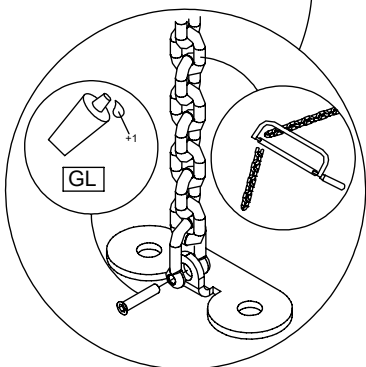
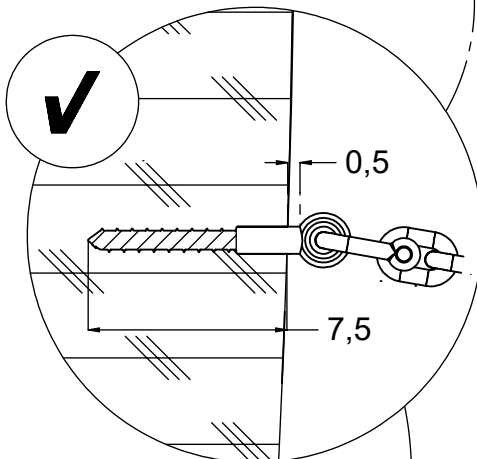
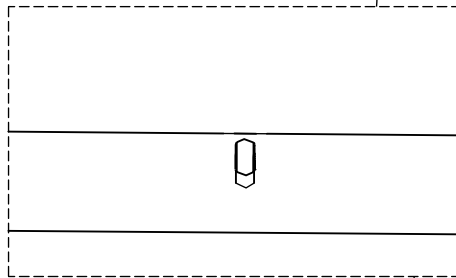
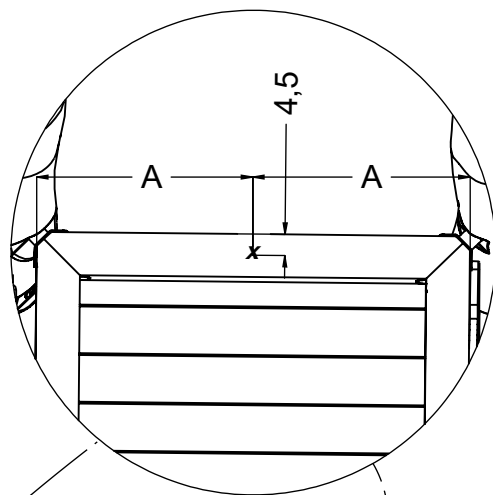
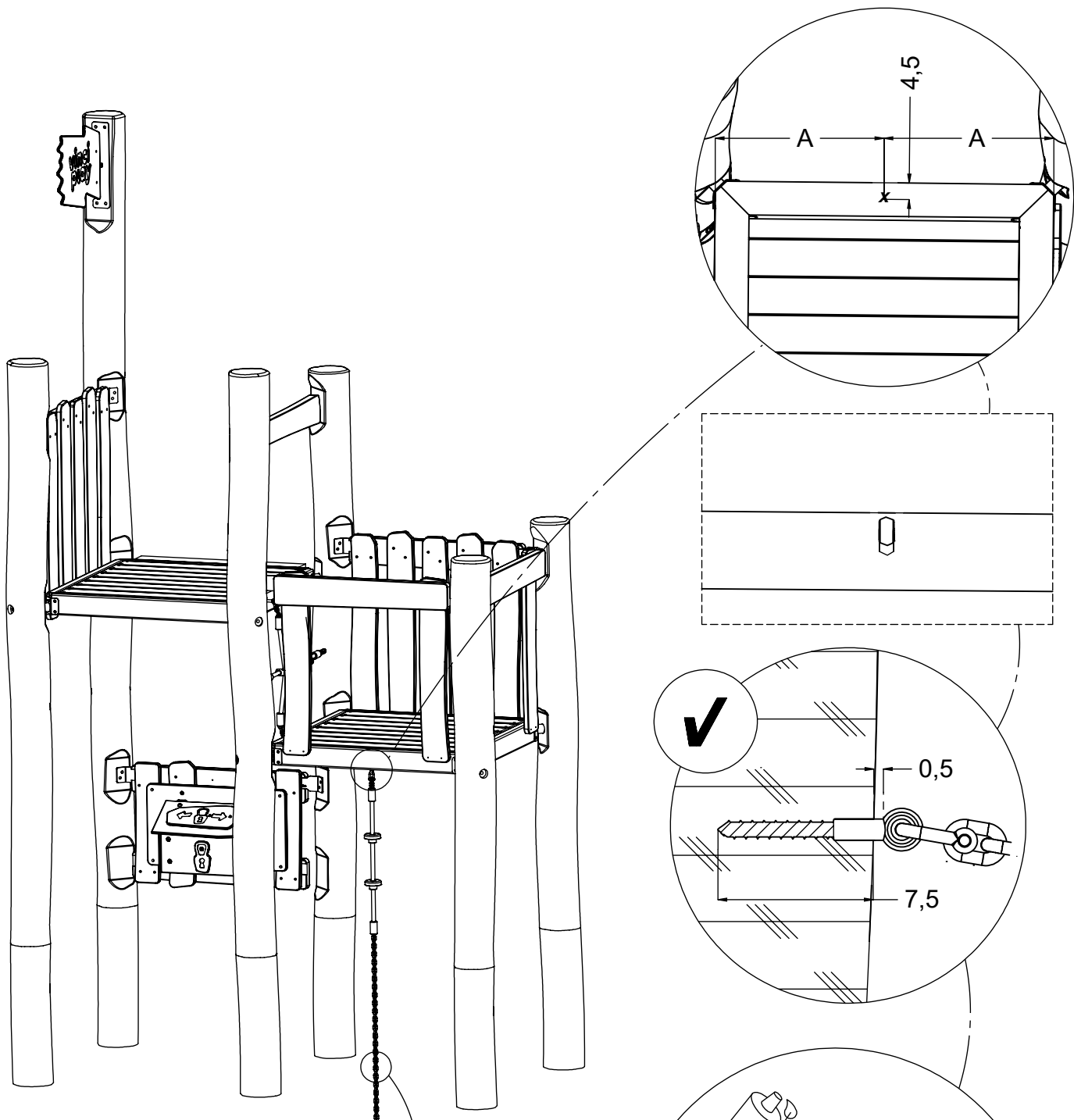
4x 8x50sxi

- 4,5

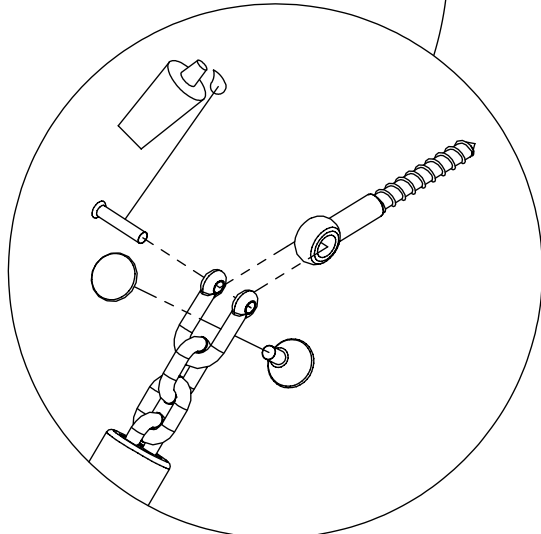
Ø 5,5mm

Ø5,5

[cm]



1x 12e052

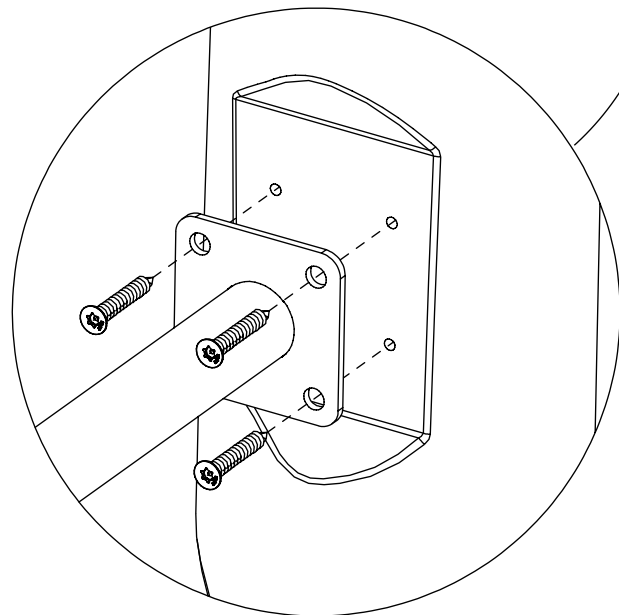
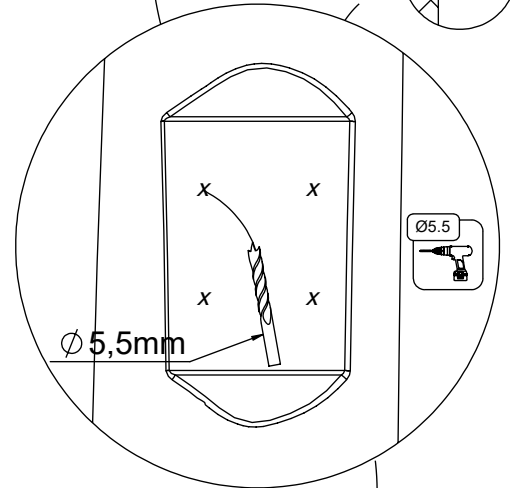
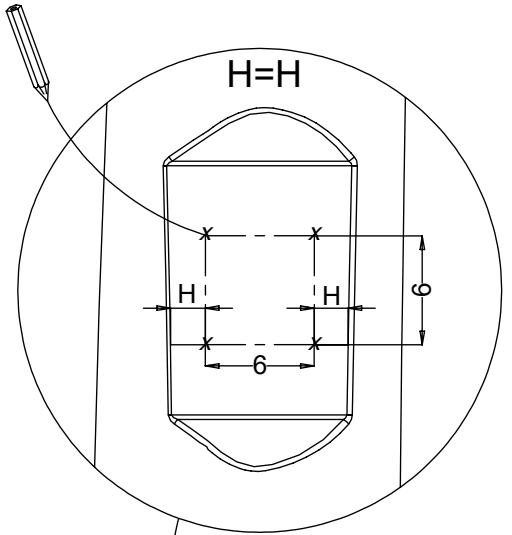
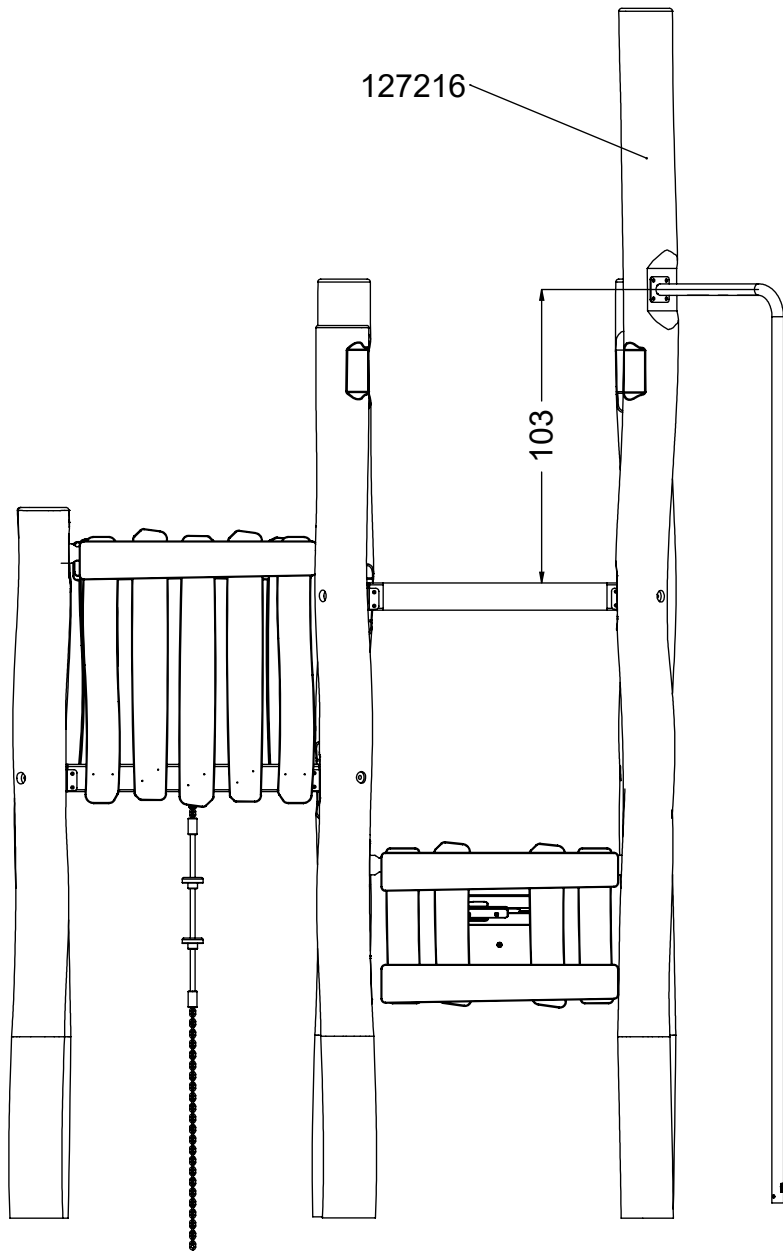


1x 12e006

[cm]

vinci
play

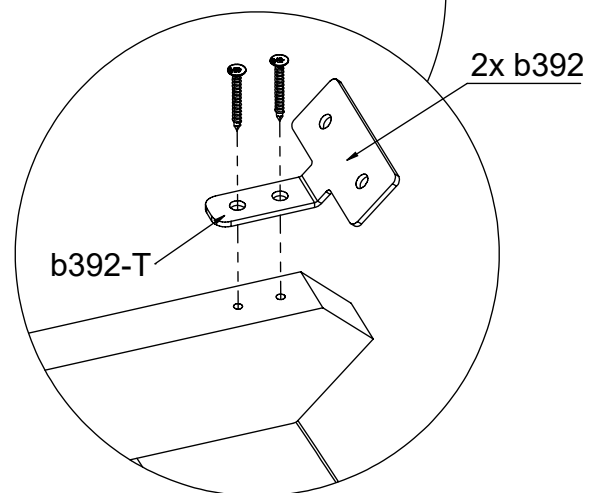
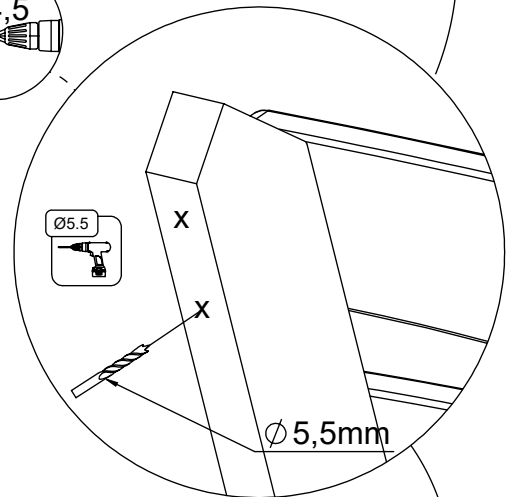
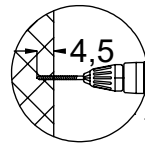
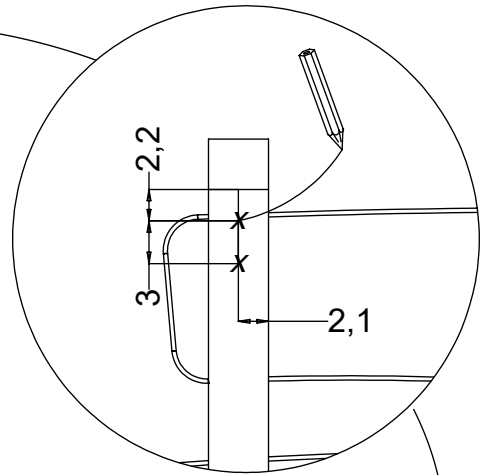
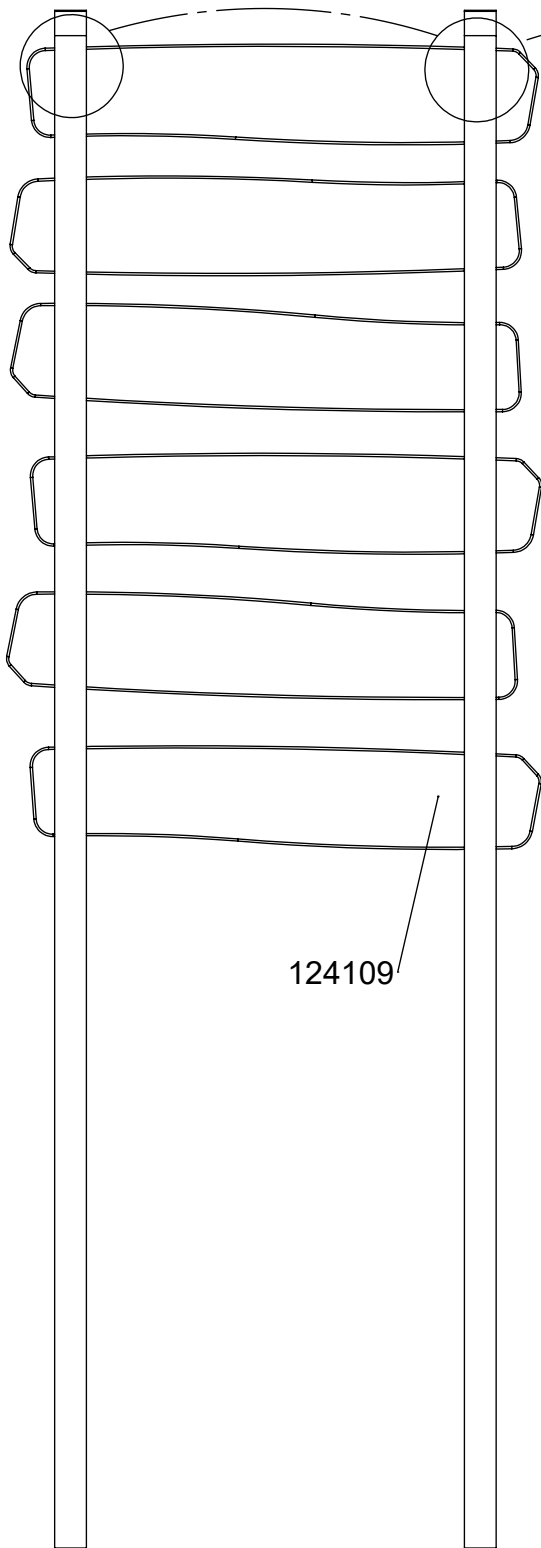
127216

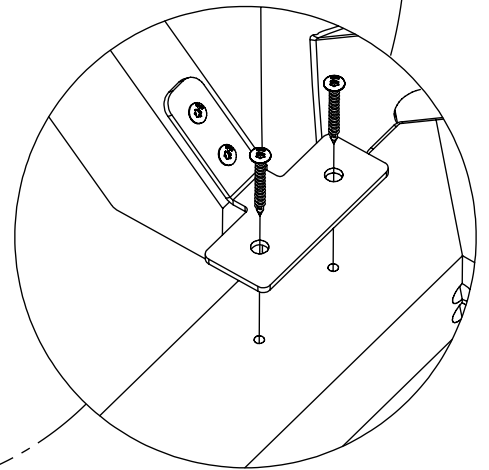
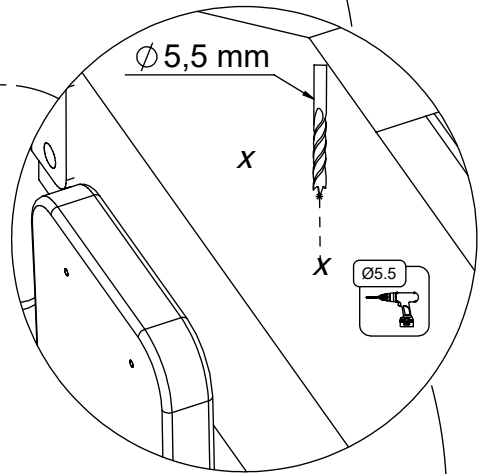
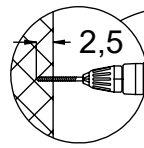
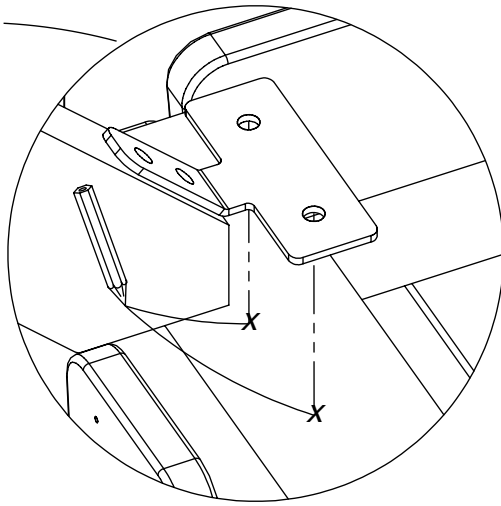
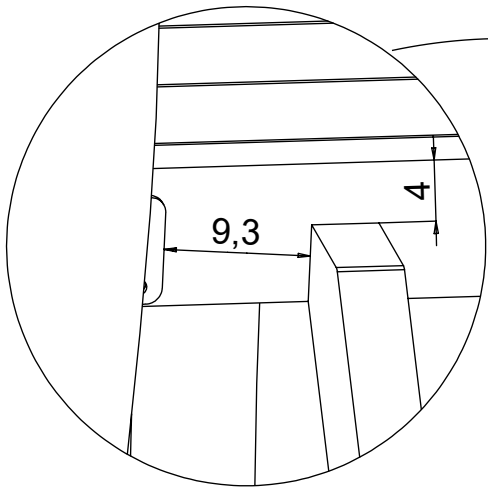


4x 8x50sxi

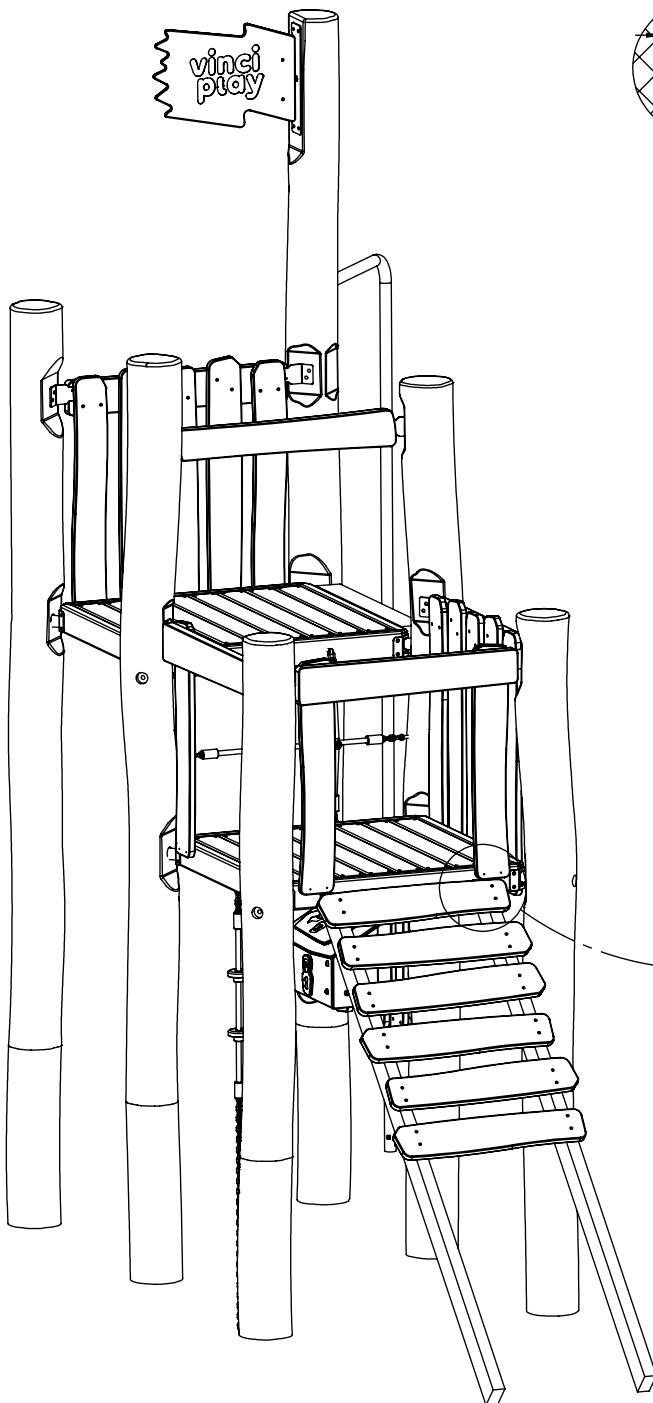
[cm]

vinci
play

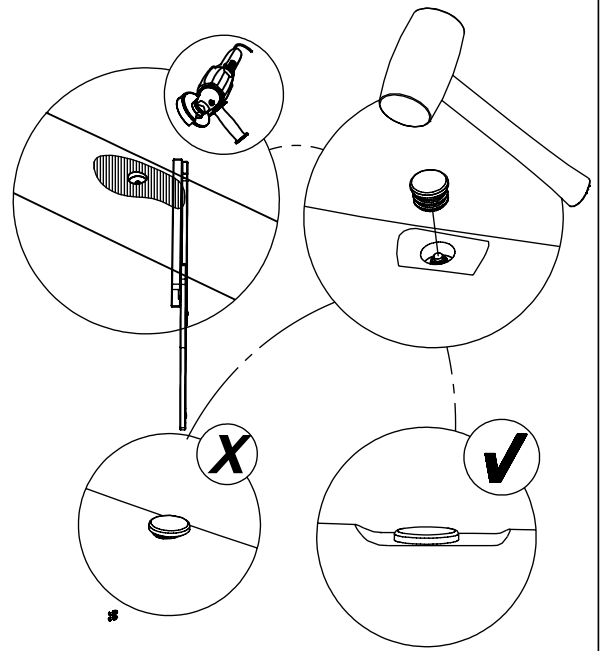
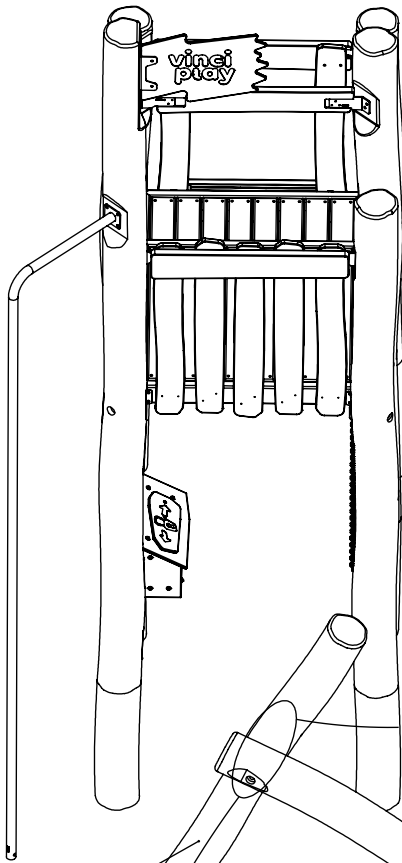




4x 8x50sxi



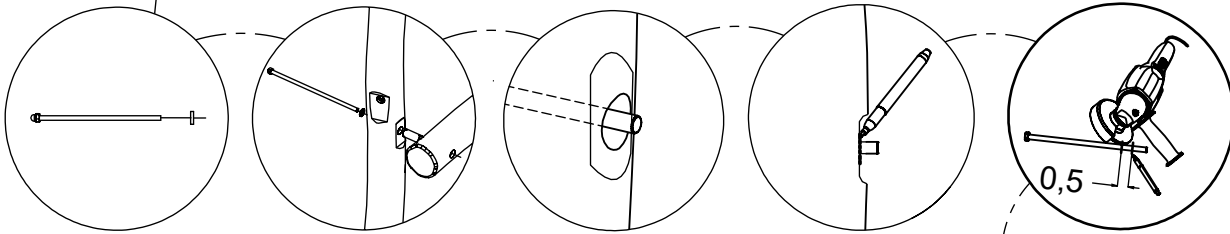
B



127220

127574

127222



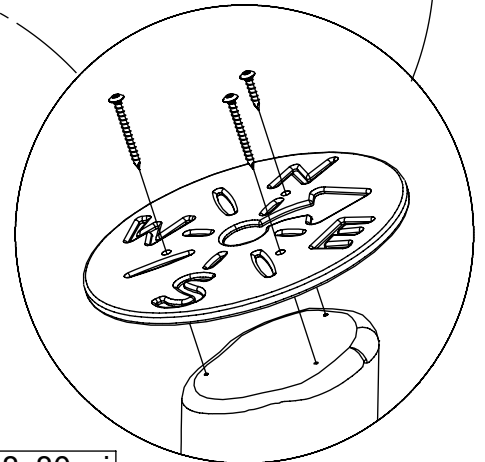
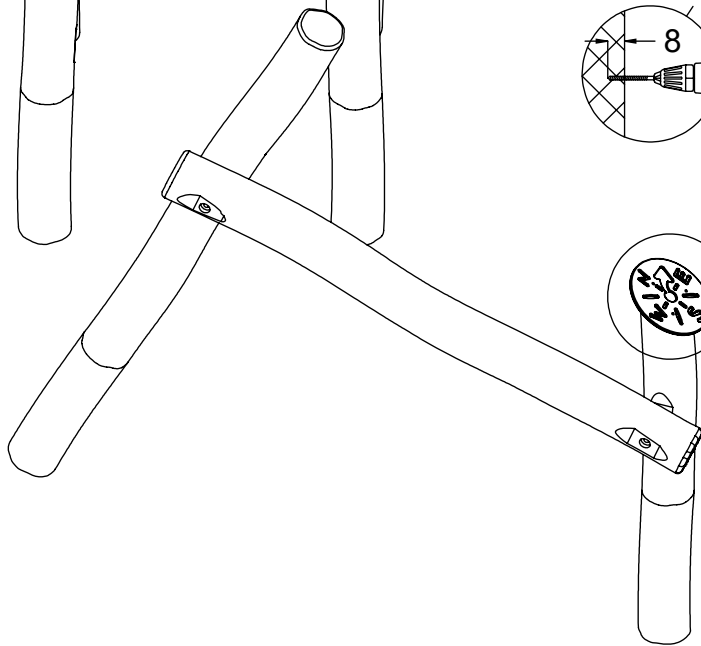
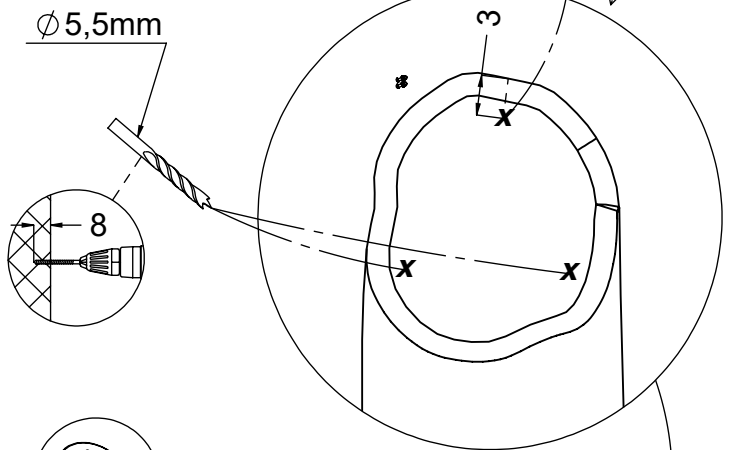
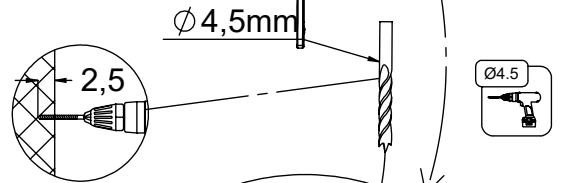
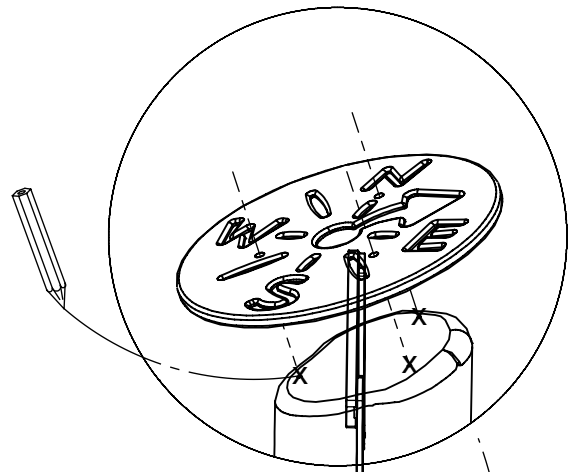
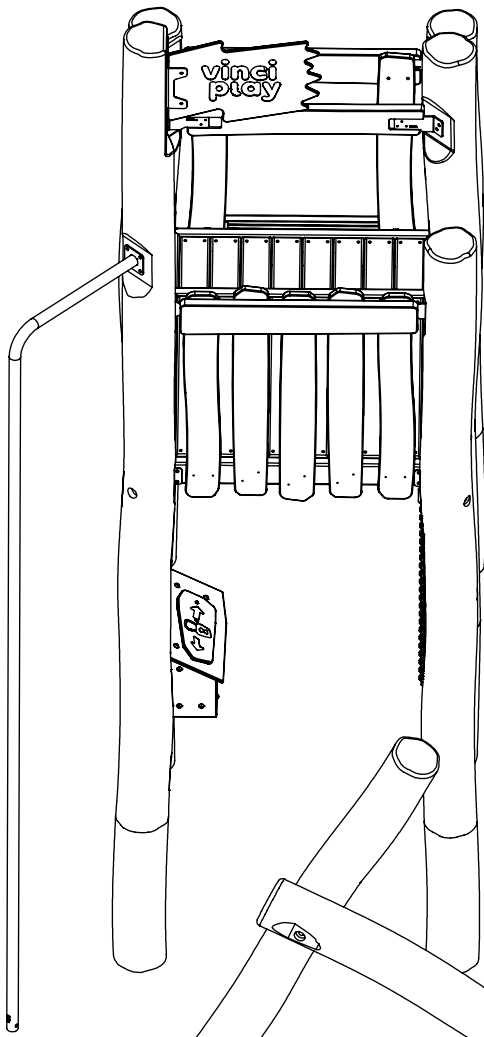
0,5

[cm]

1x 12e022

vinci
play

B



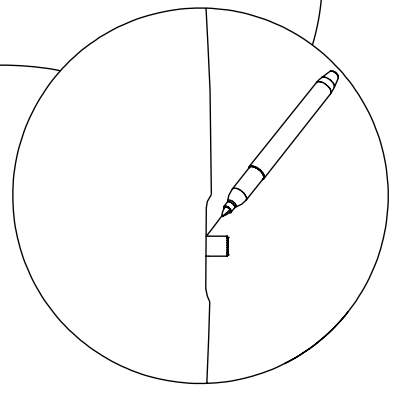
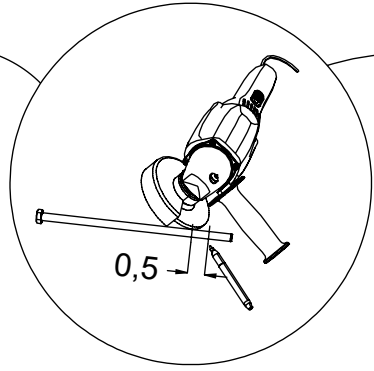
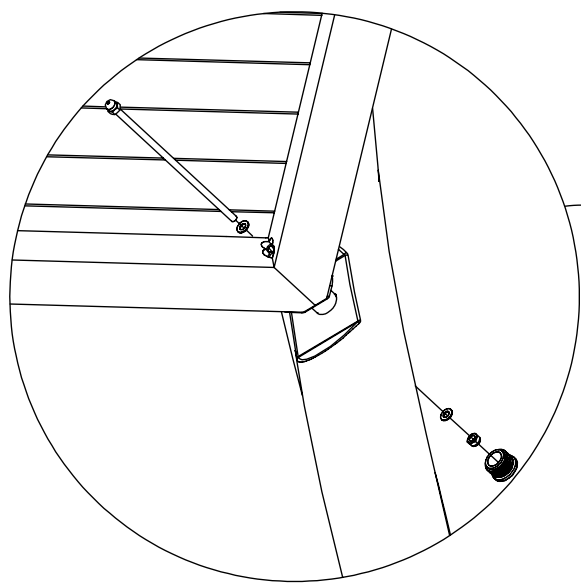
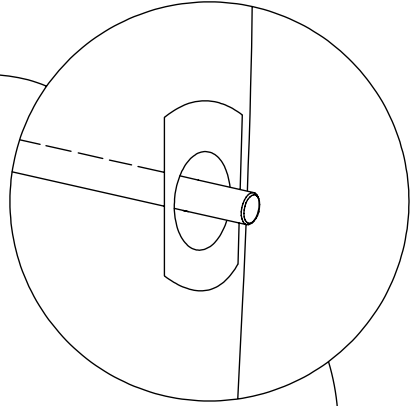
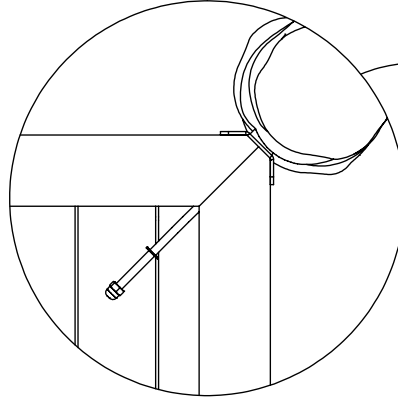
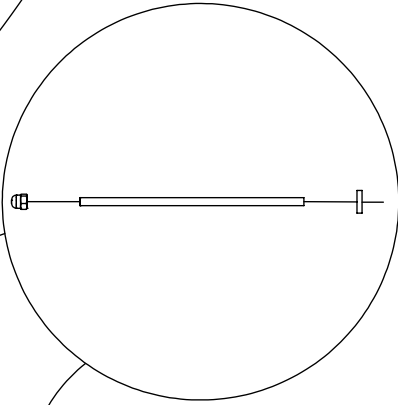
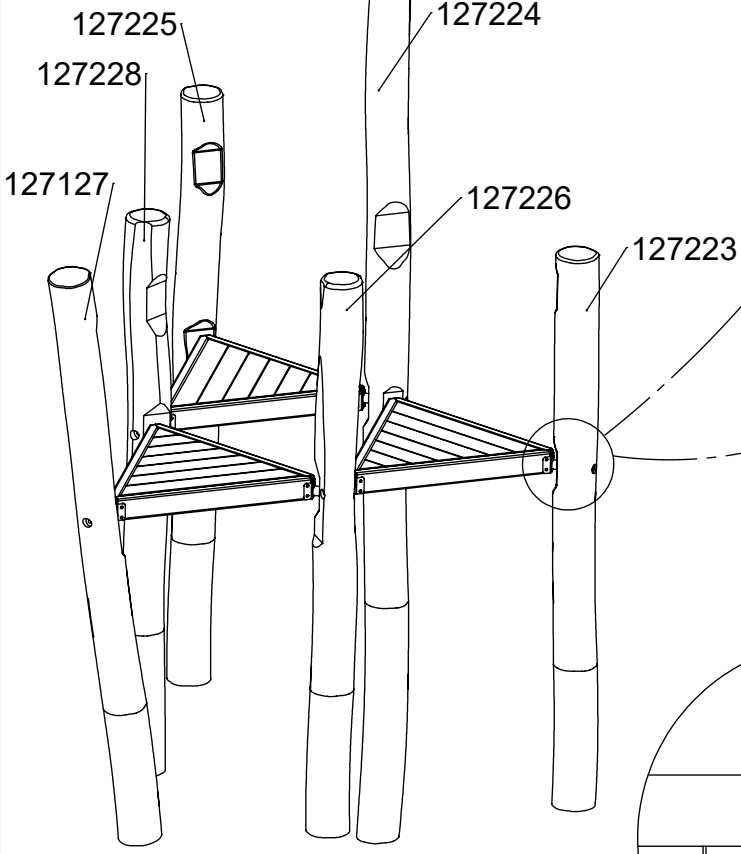
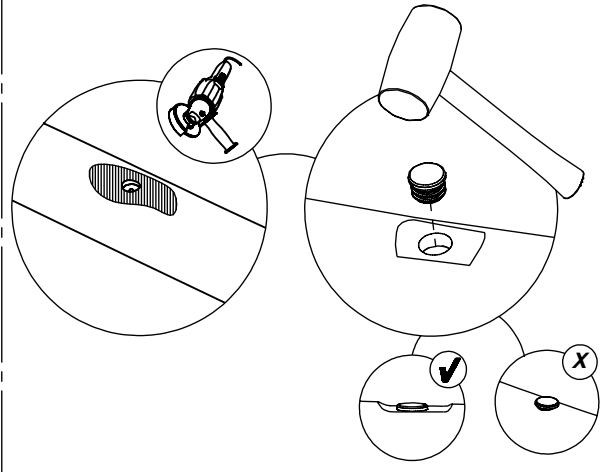
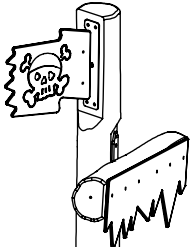
2x 8x80sxi

1x 7x35sxi

[cm]

vinci
play

C



3x 12e003

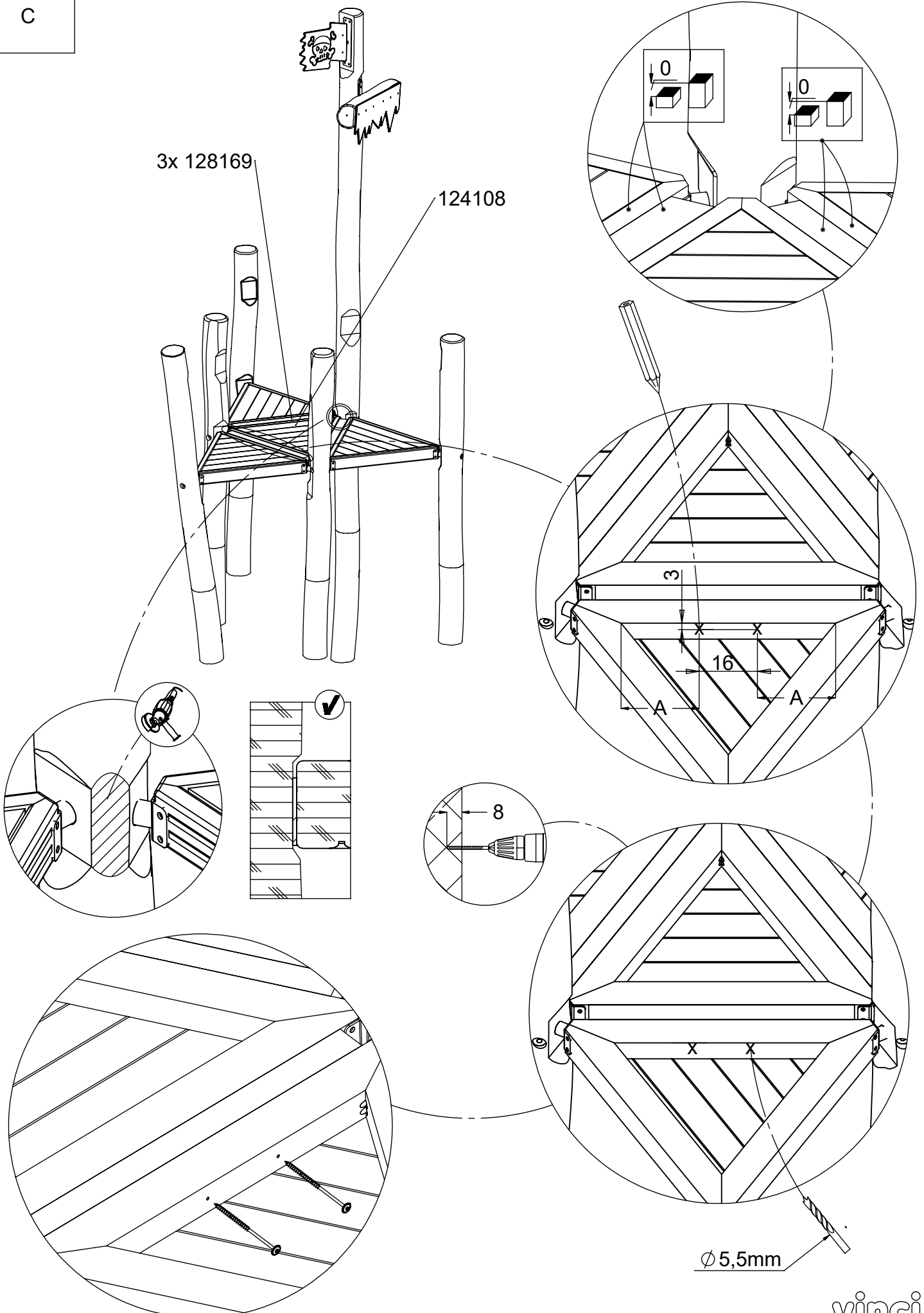
[cm]

vinci play

C

3x 128169

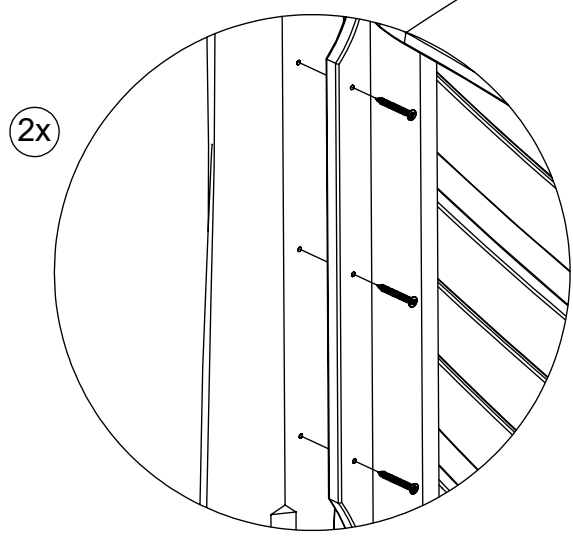
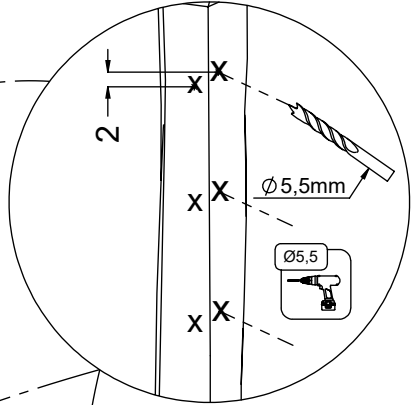
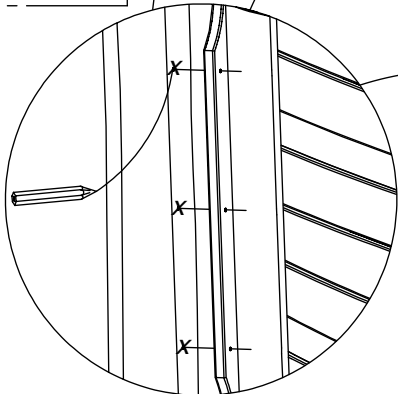
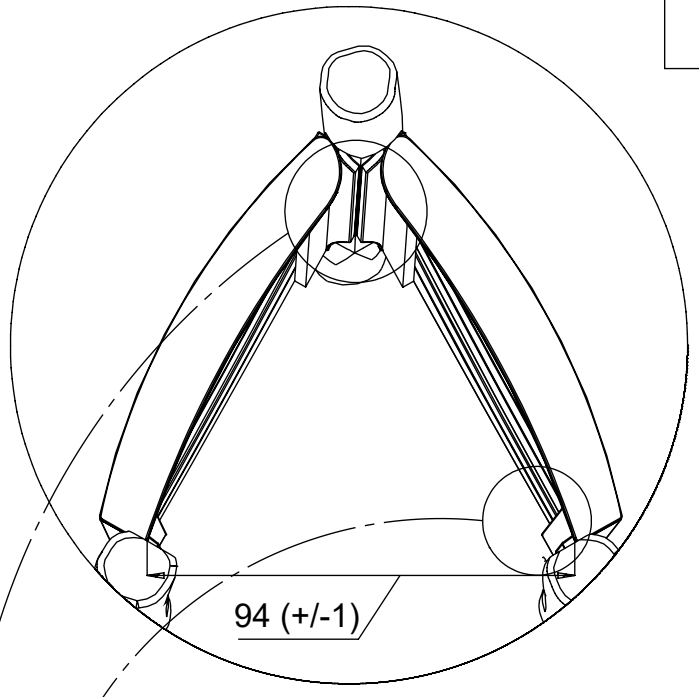
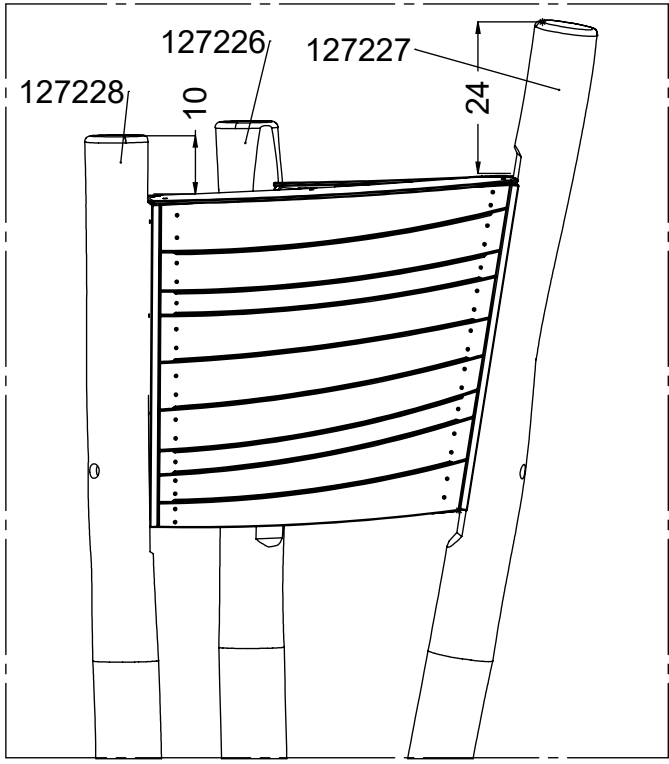
124108



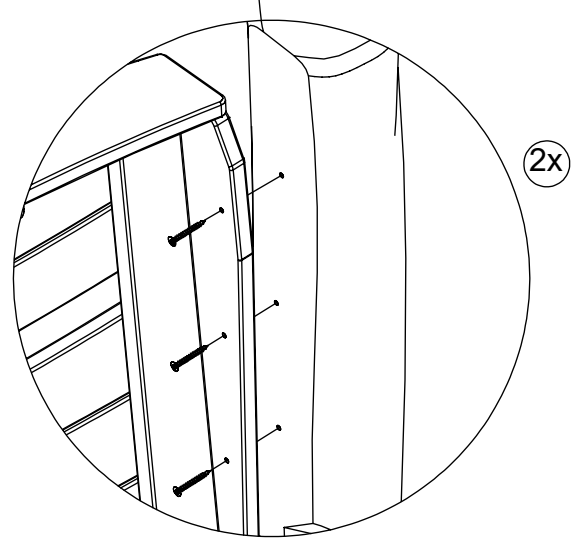
[cm]

6x 8x160sxt

vinci play

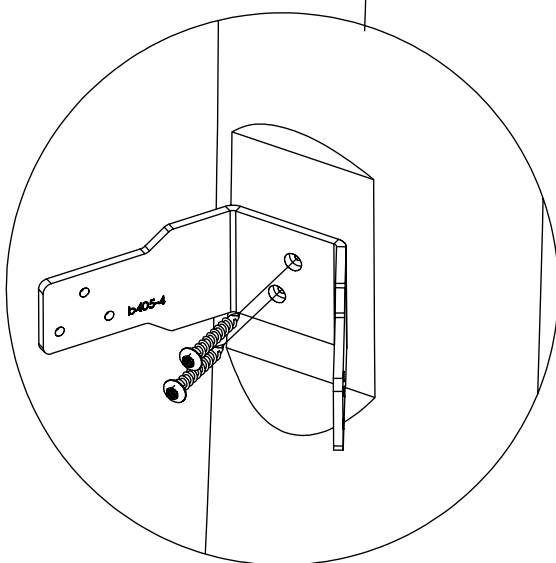
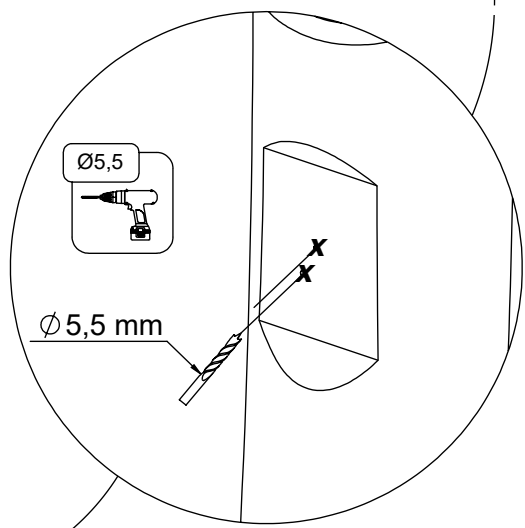
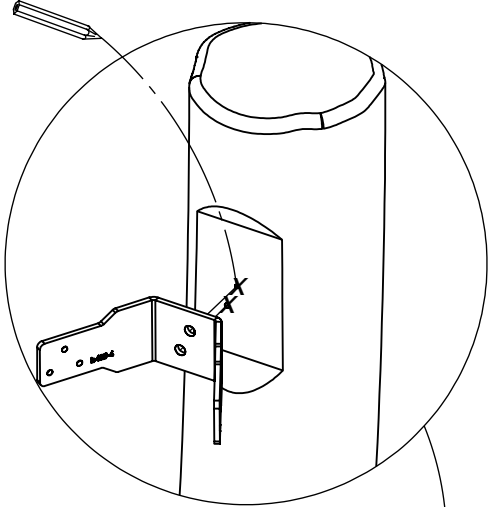
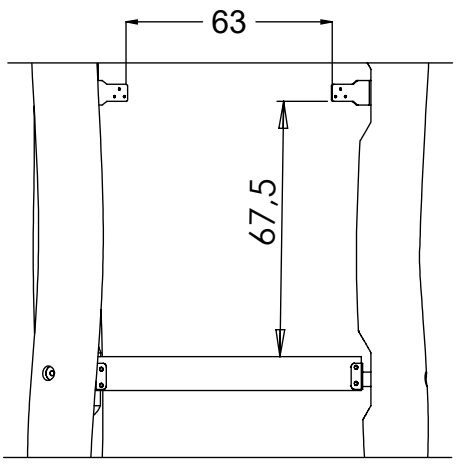
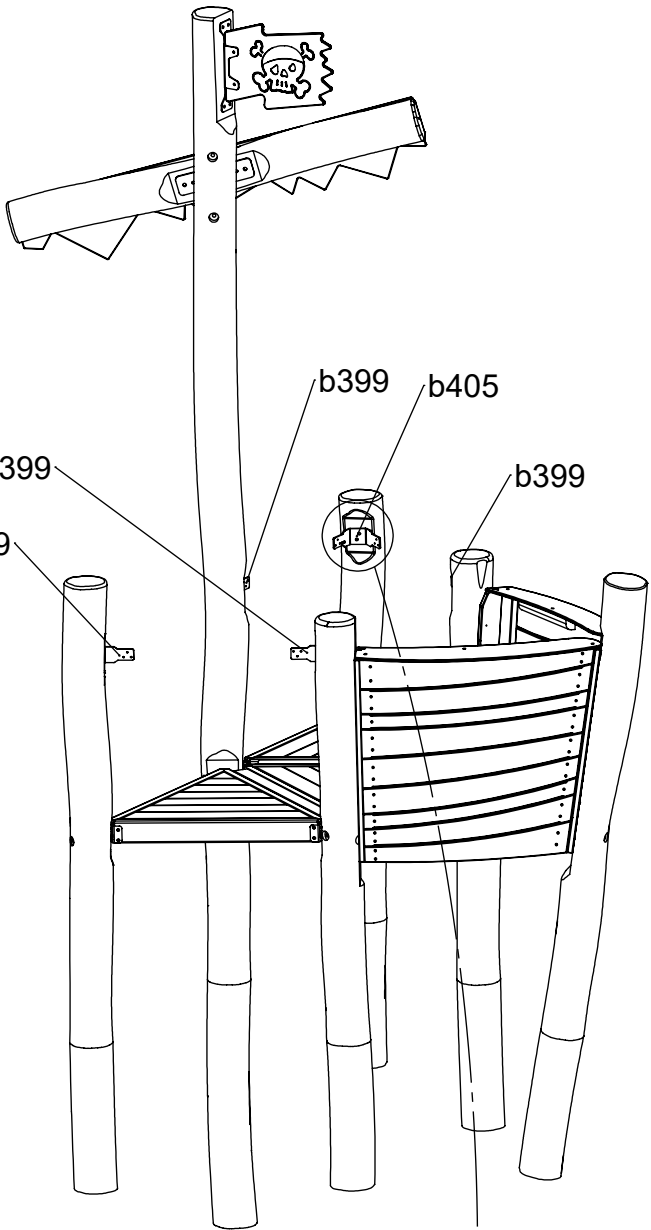


3x 5x80 sxs



3x 5x80 sxs

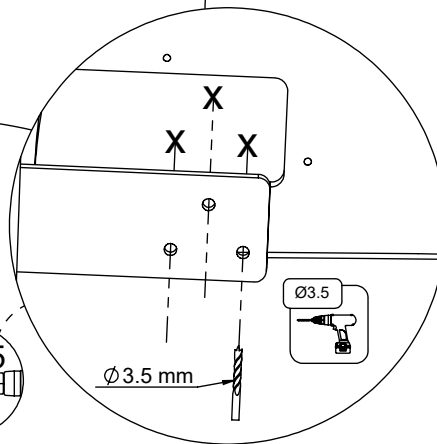
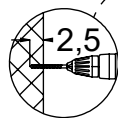
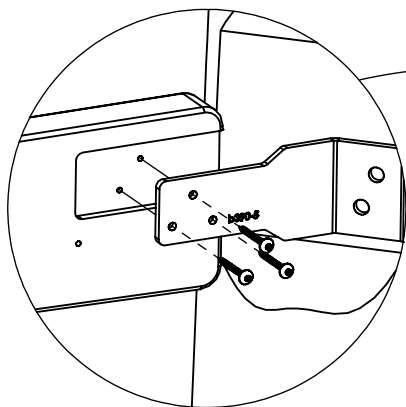
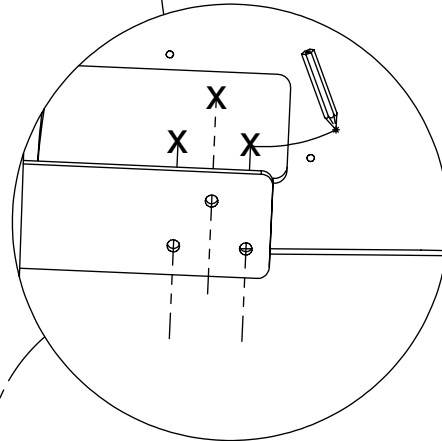
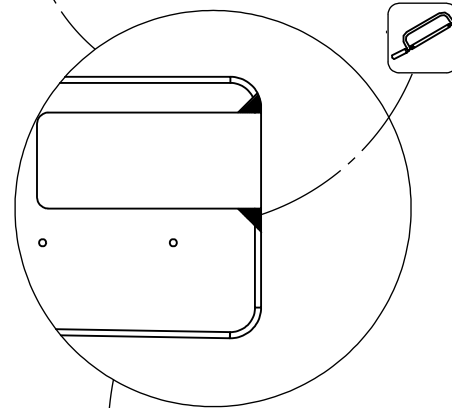
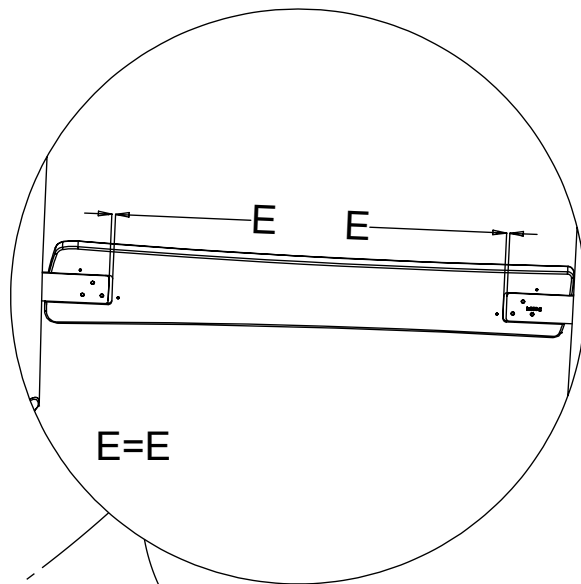
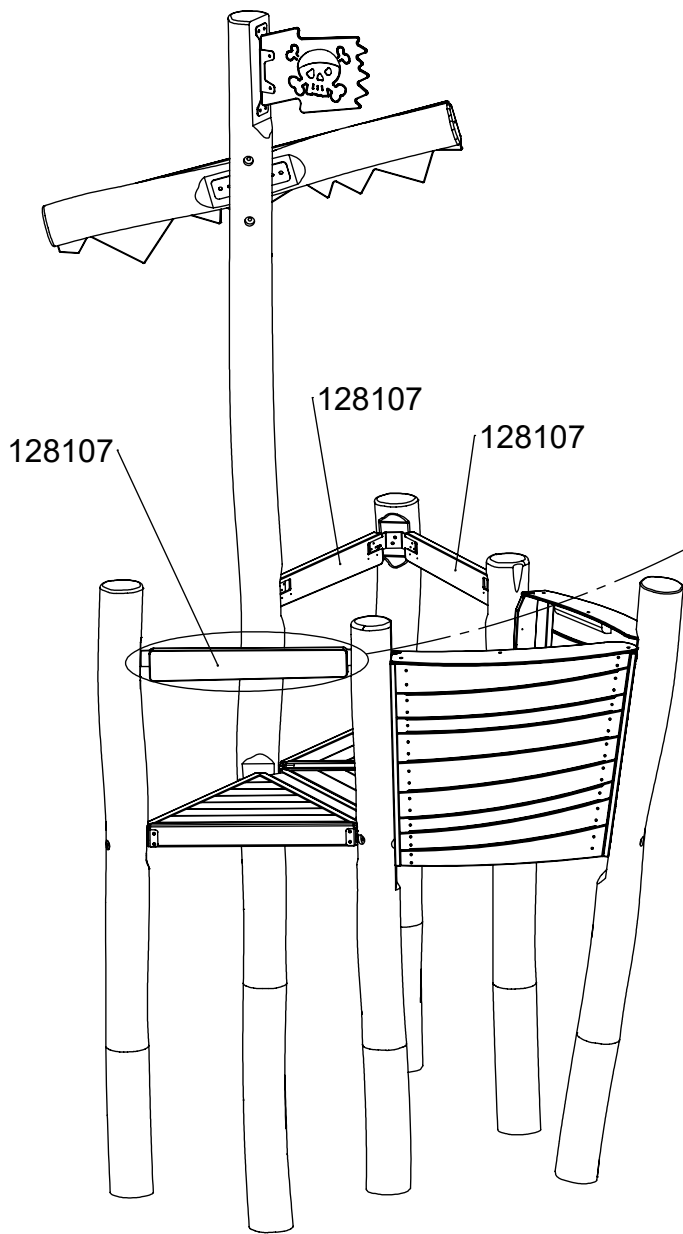
C



10x 8x50sxi

[cm]

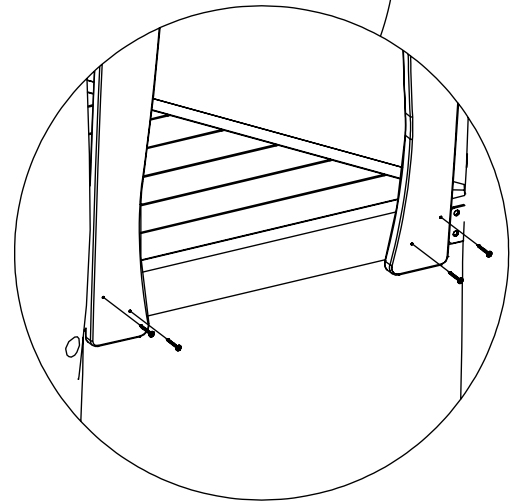
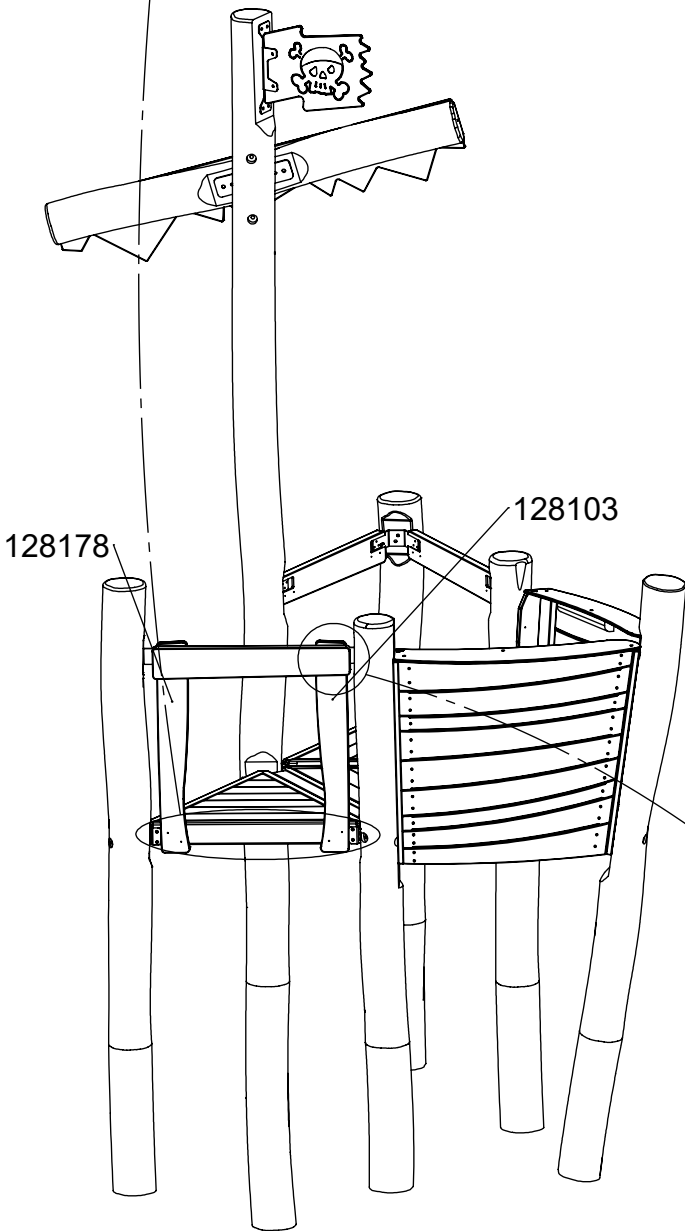
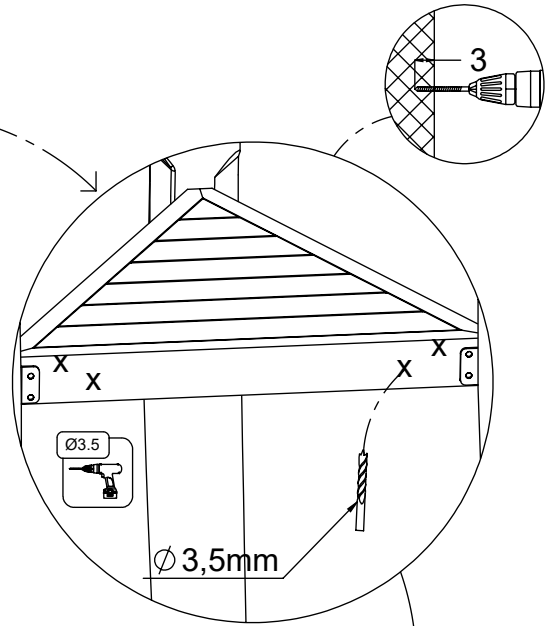
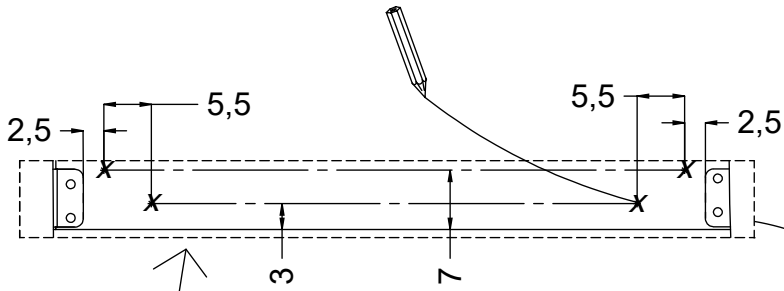
vinci play



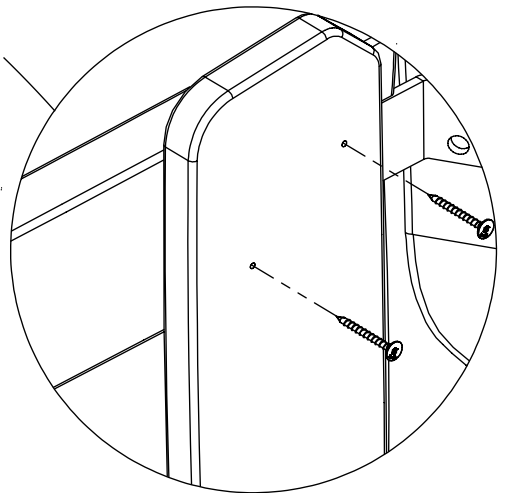
18x 5x30sxs

[cm]

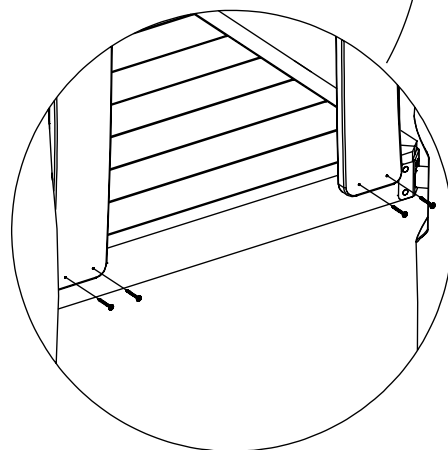
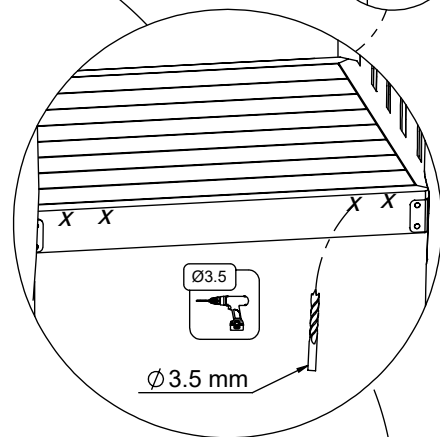
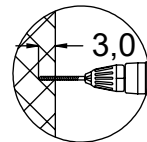
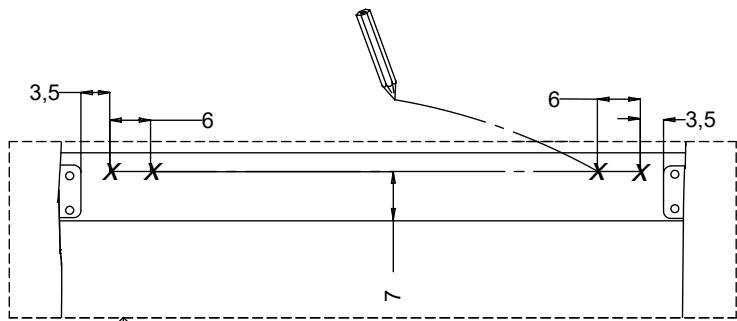
vinci
play



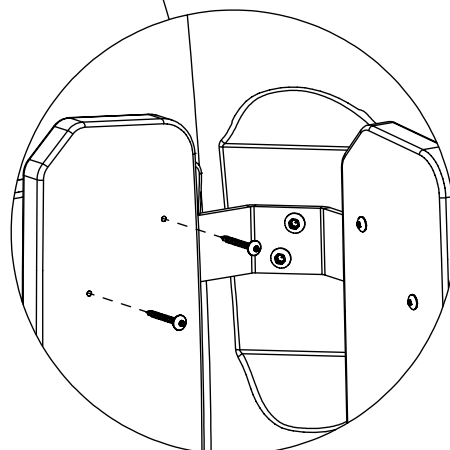
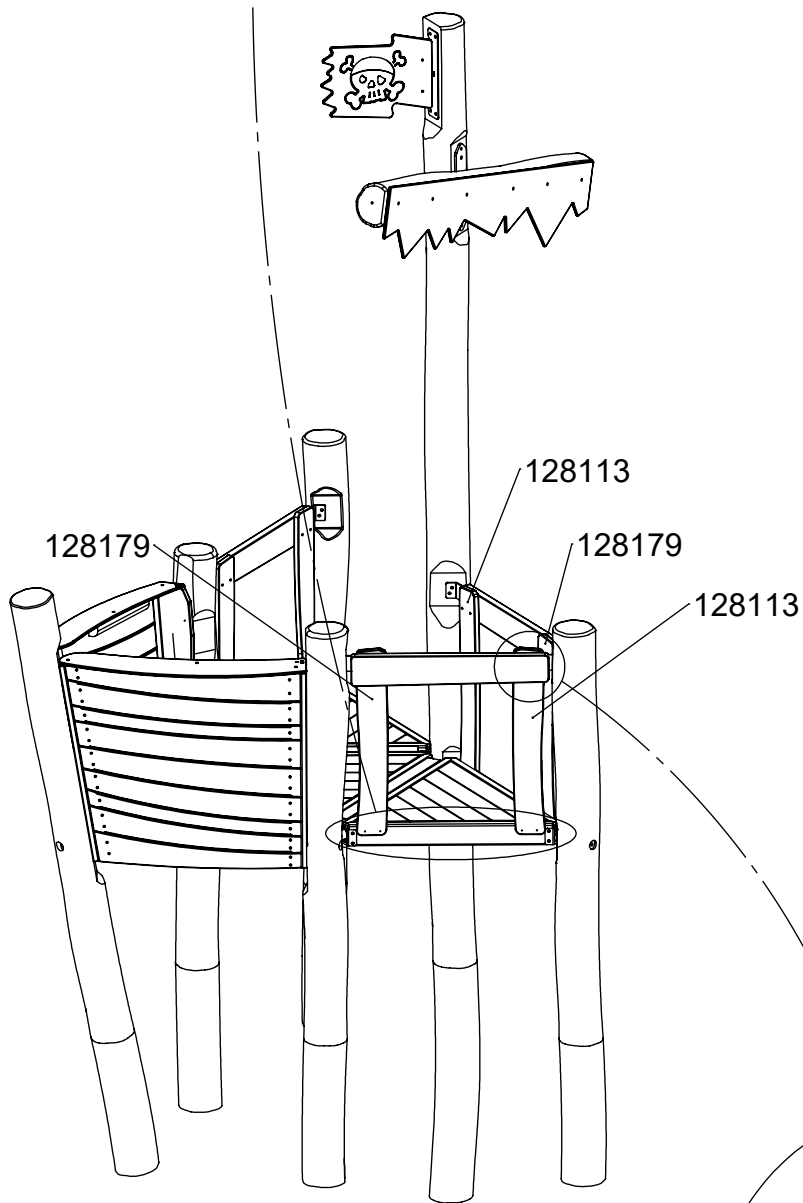
4x 5x50sxs



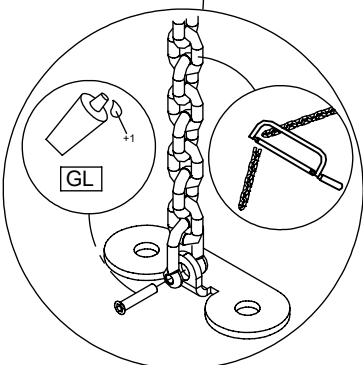
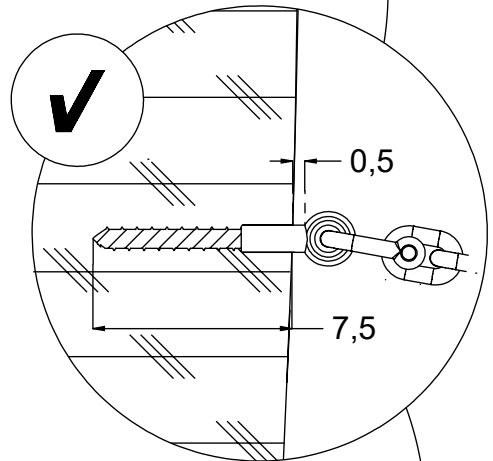
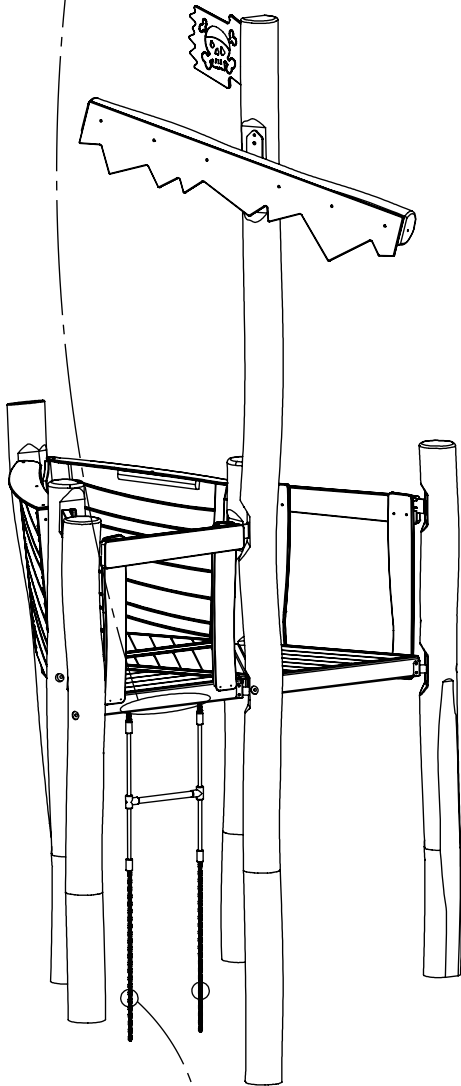
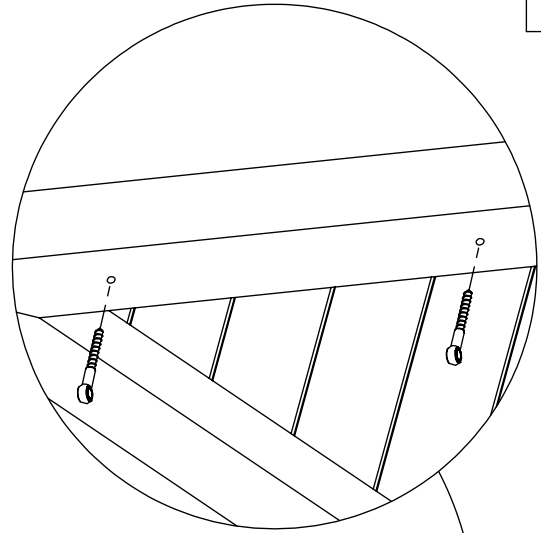
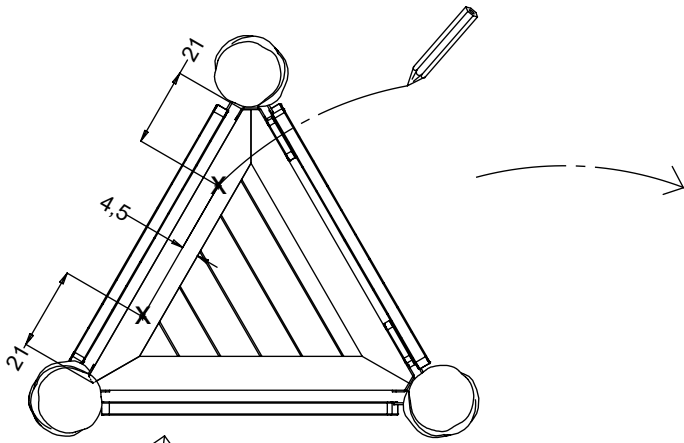
4x 5x50sxs



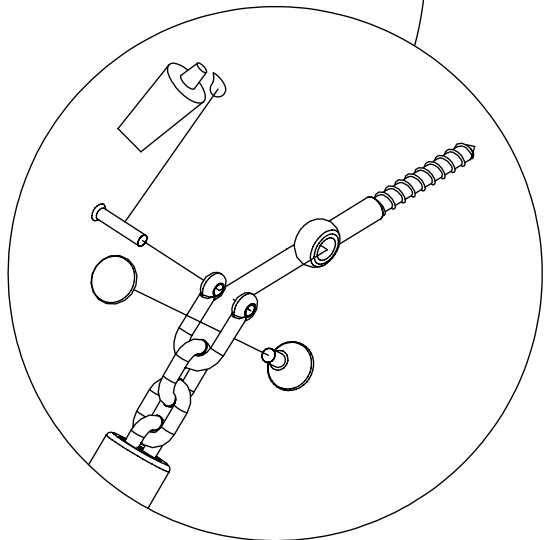
8x 5x50sxs



8x 5x50sxs

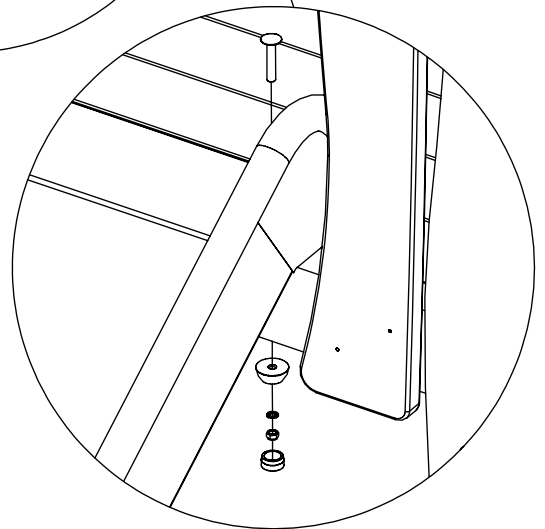
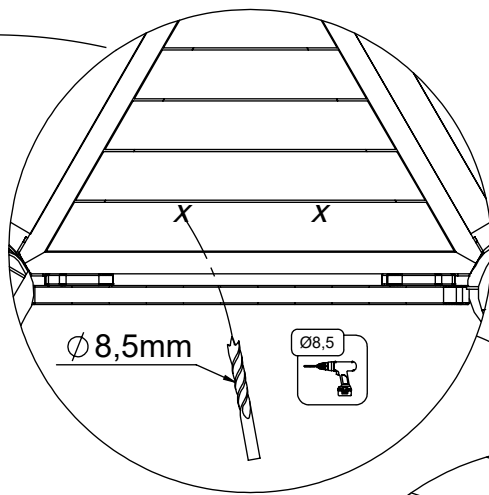
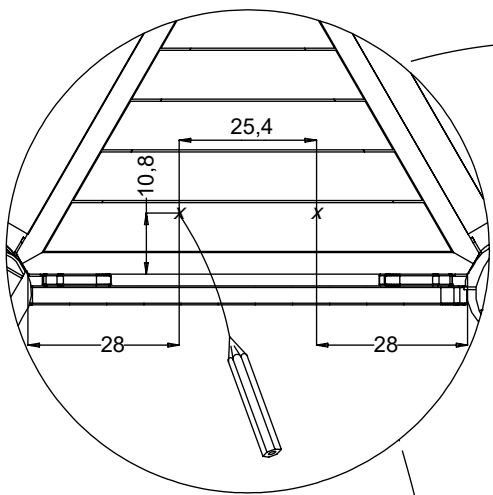


2x 12e052

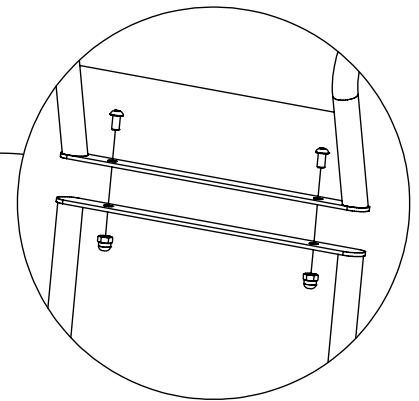
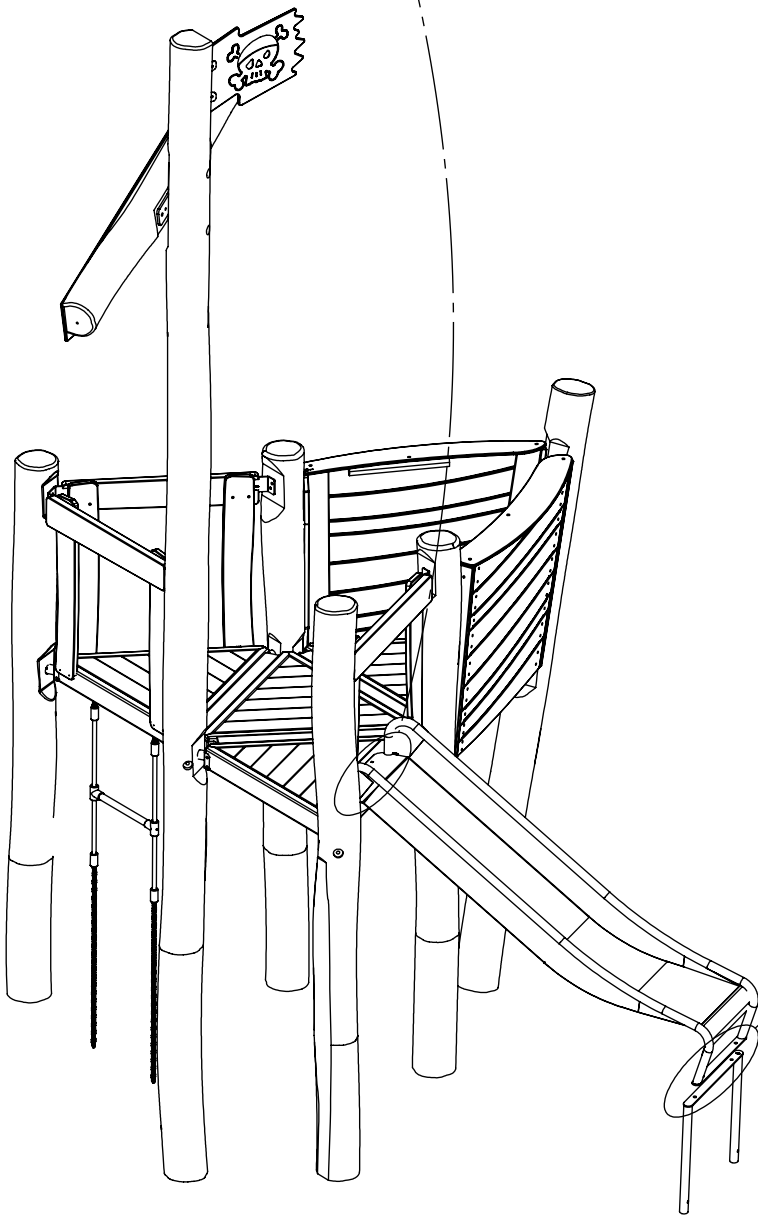


1x 12e007

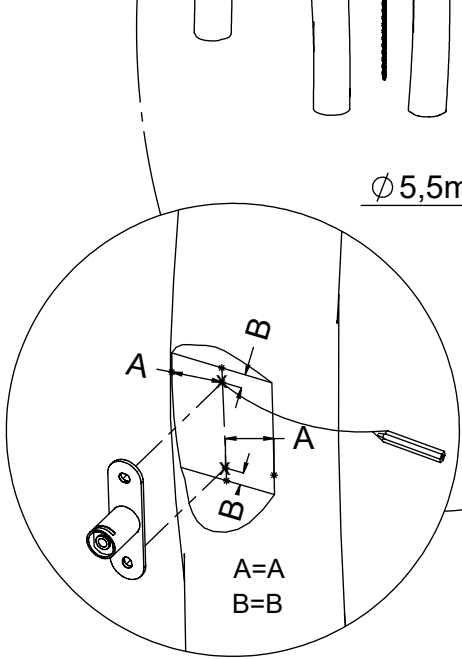
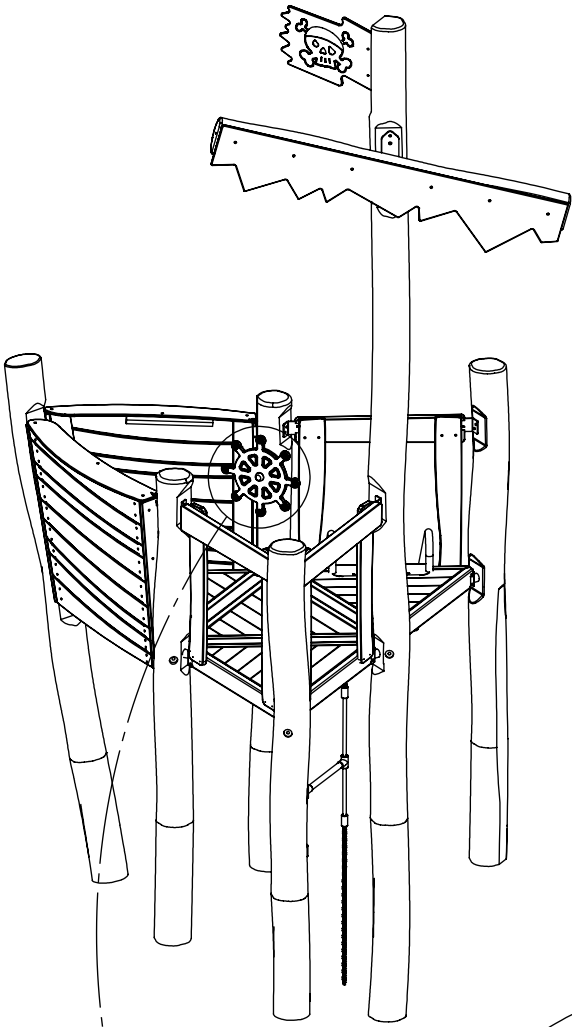
[cm]



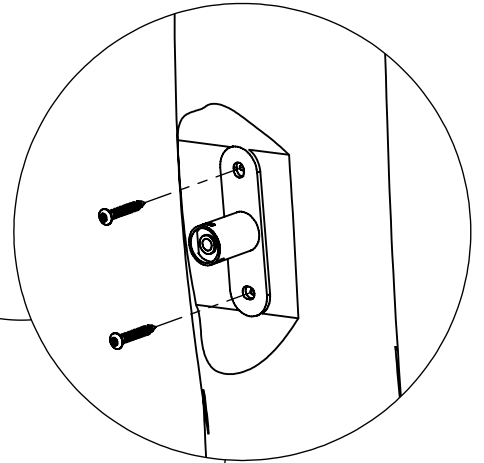
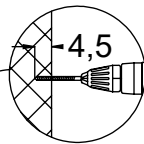
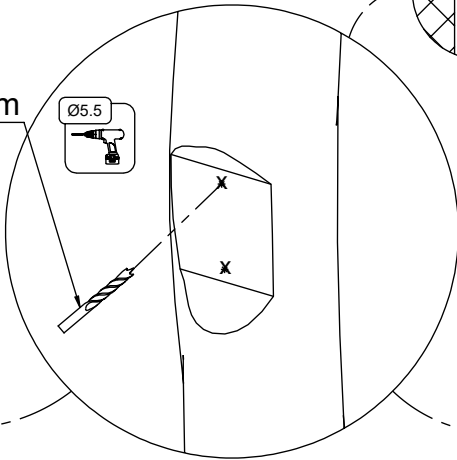
1x 12e019



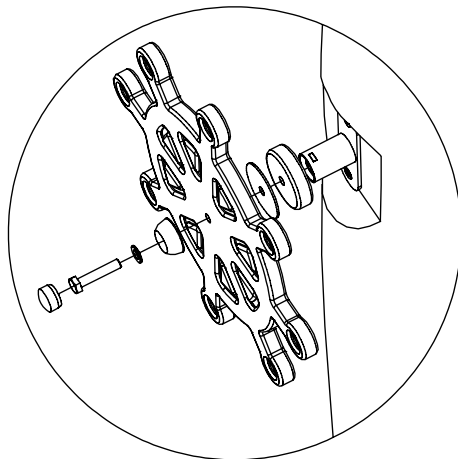
1x 12e030



Ø 5,5mm

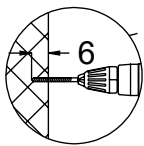
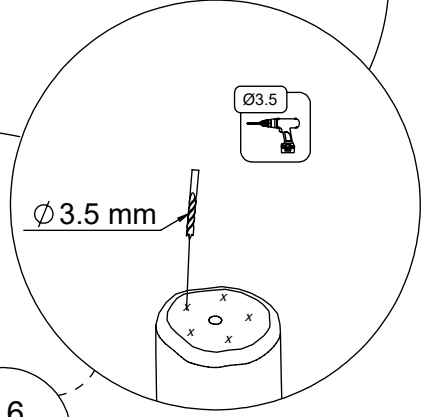
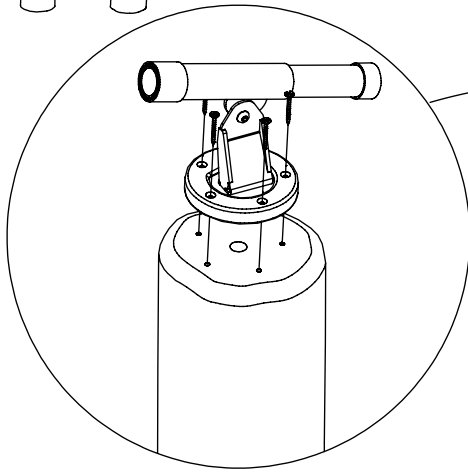
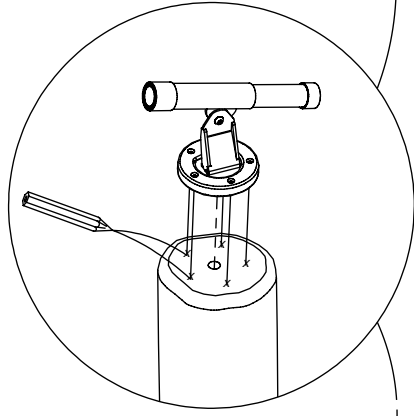
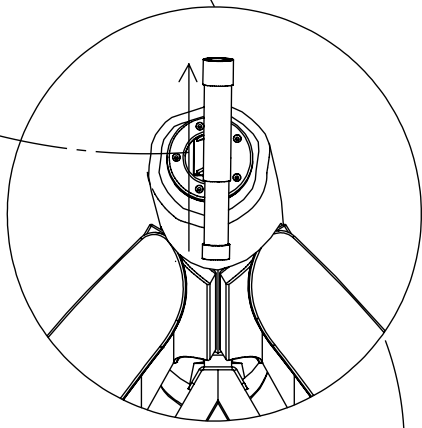
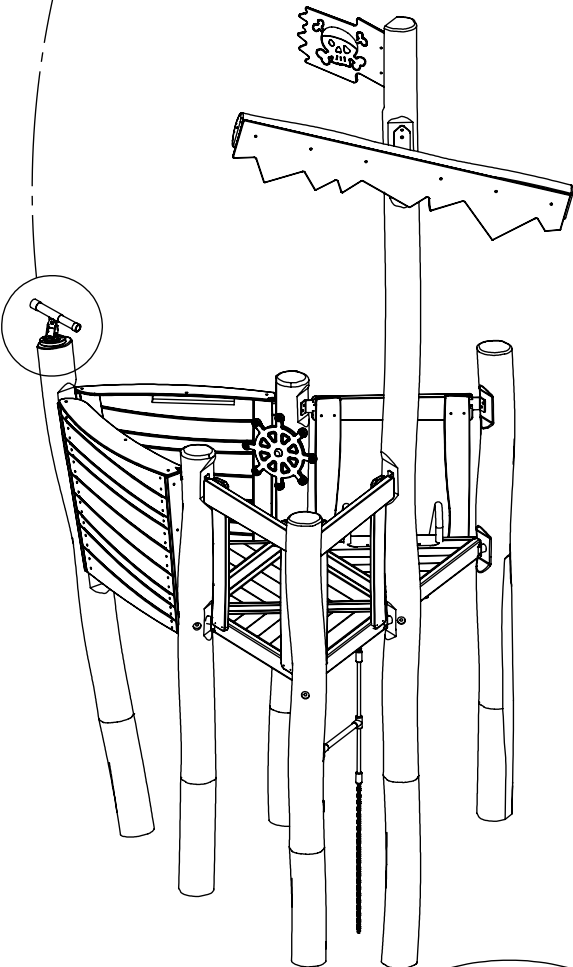
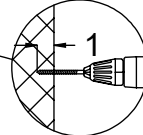
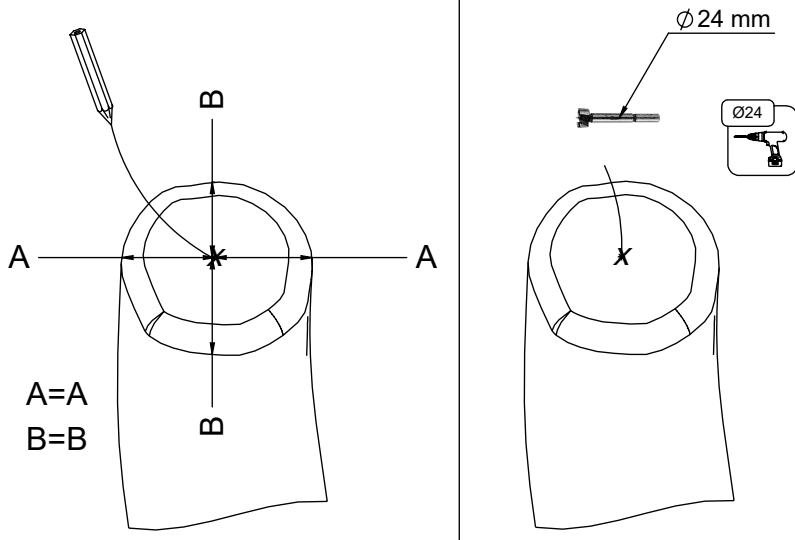


2x 8x50sxi



1x 12e010

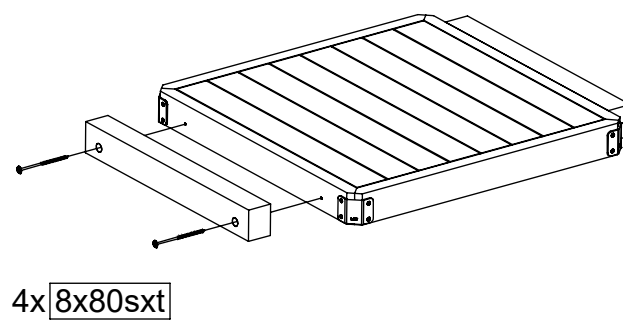
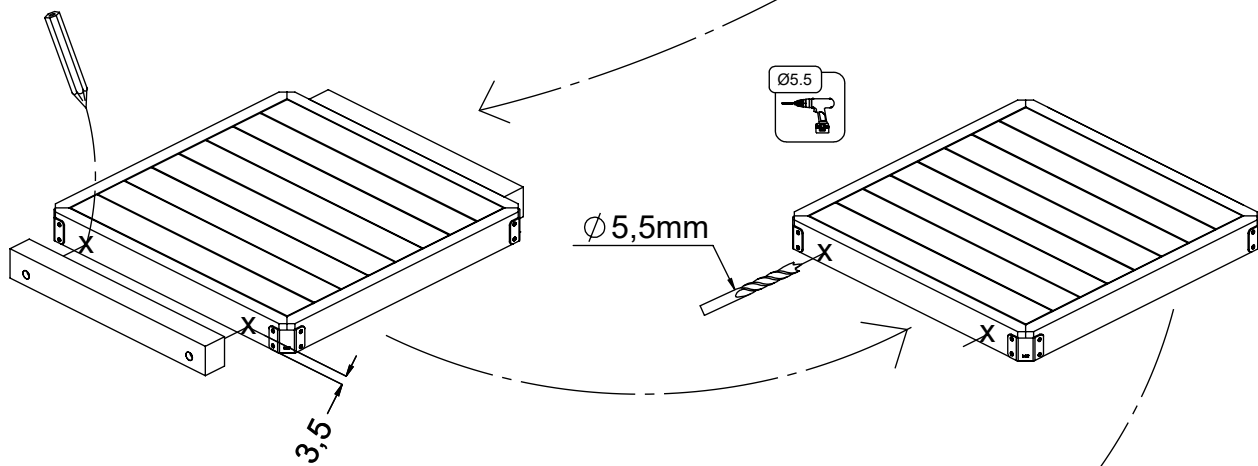
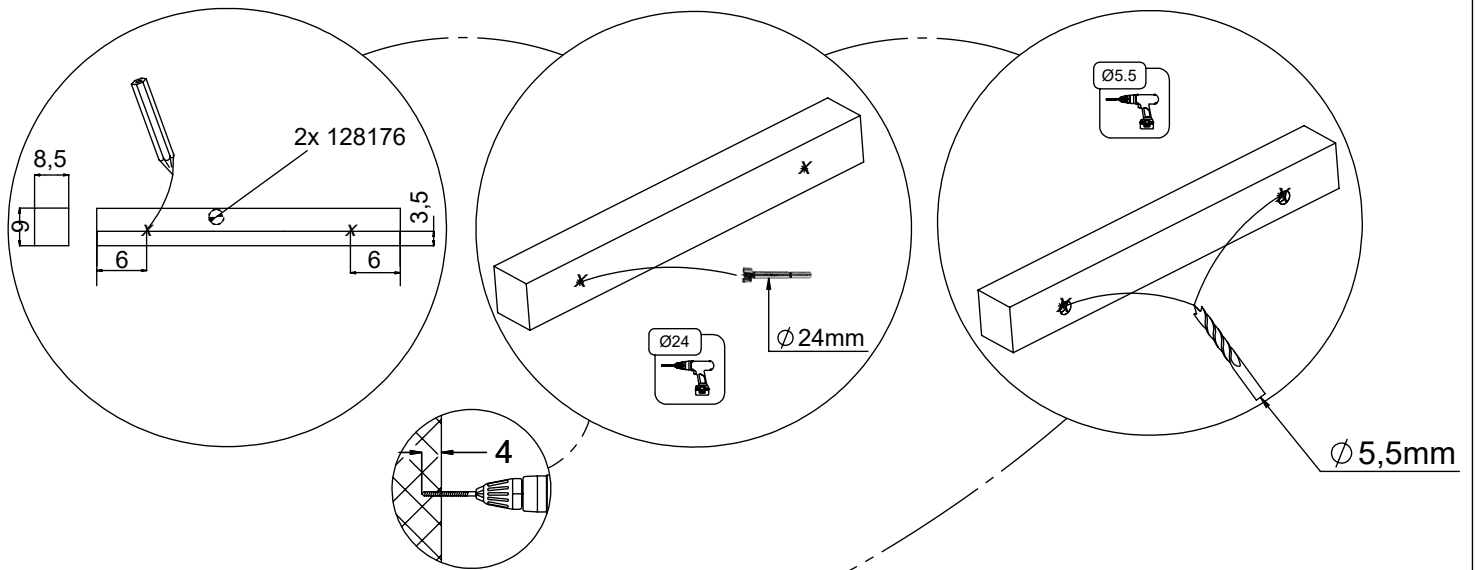
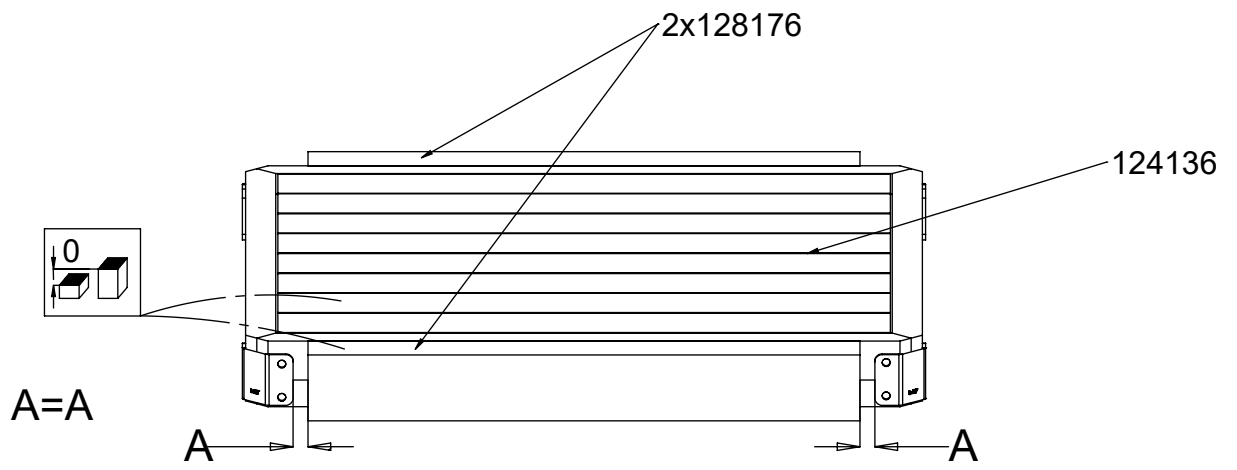
C



5x 5x80sxs

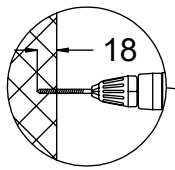
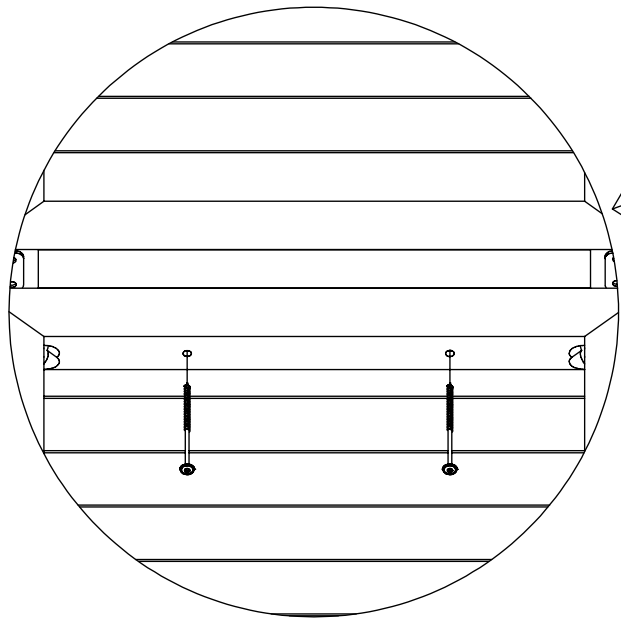
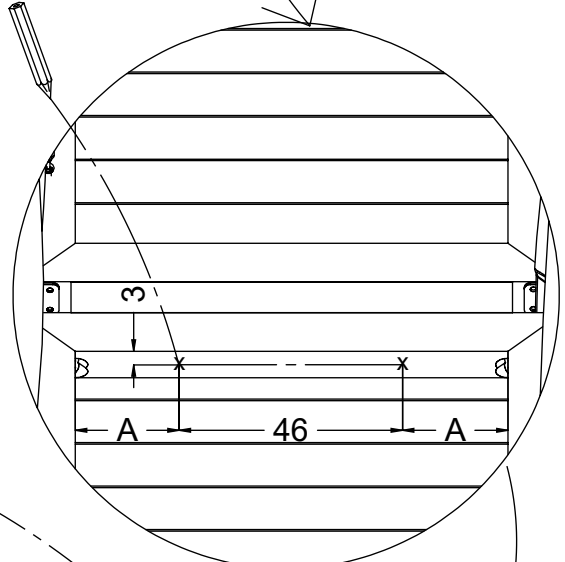
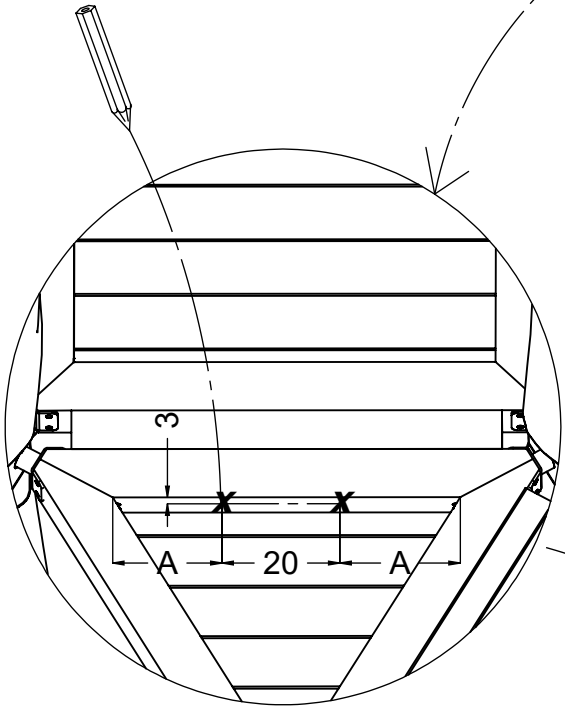
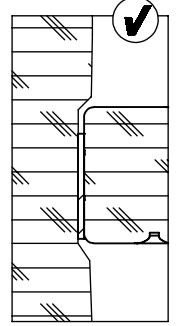
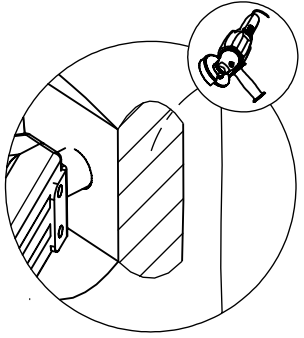
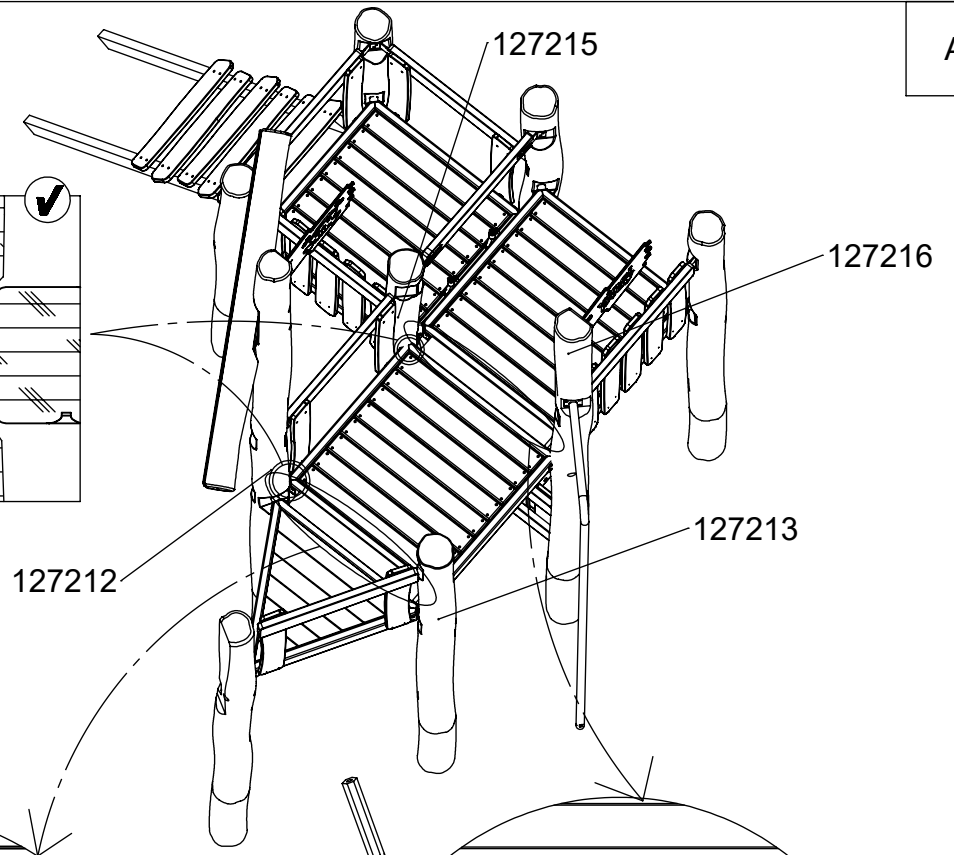
[cm]

vinci play

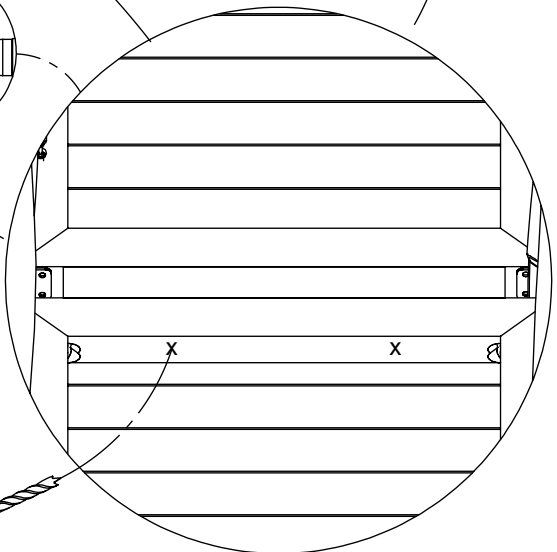


[cm]

vinci
play

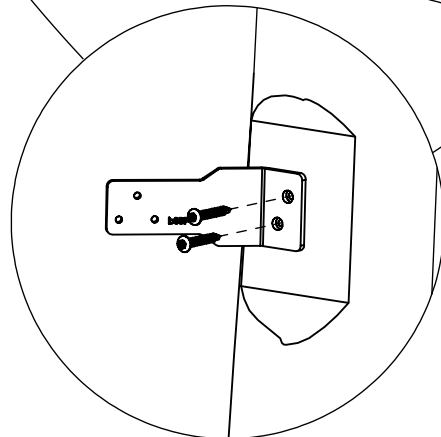
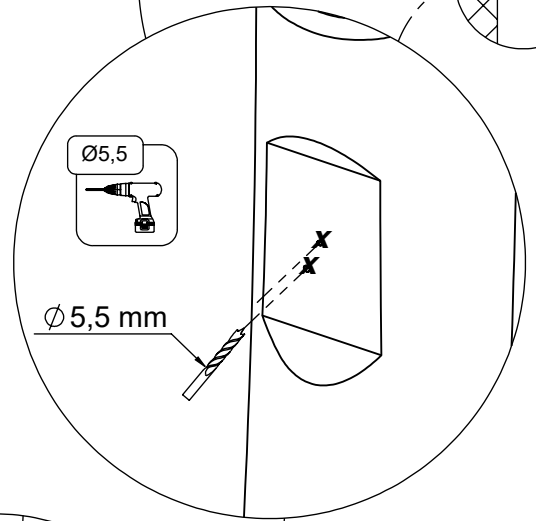
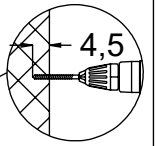
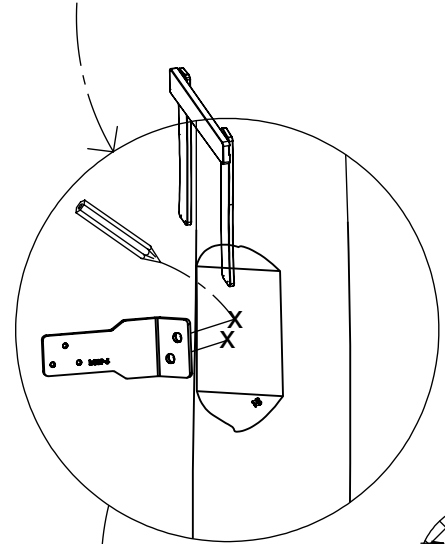
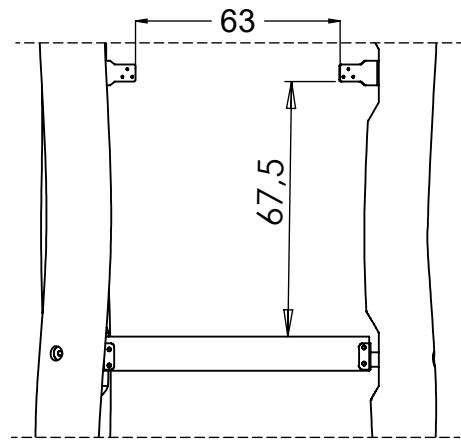
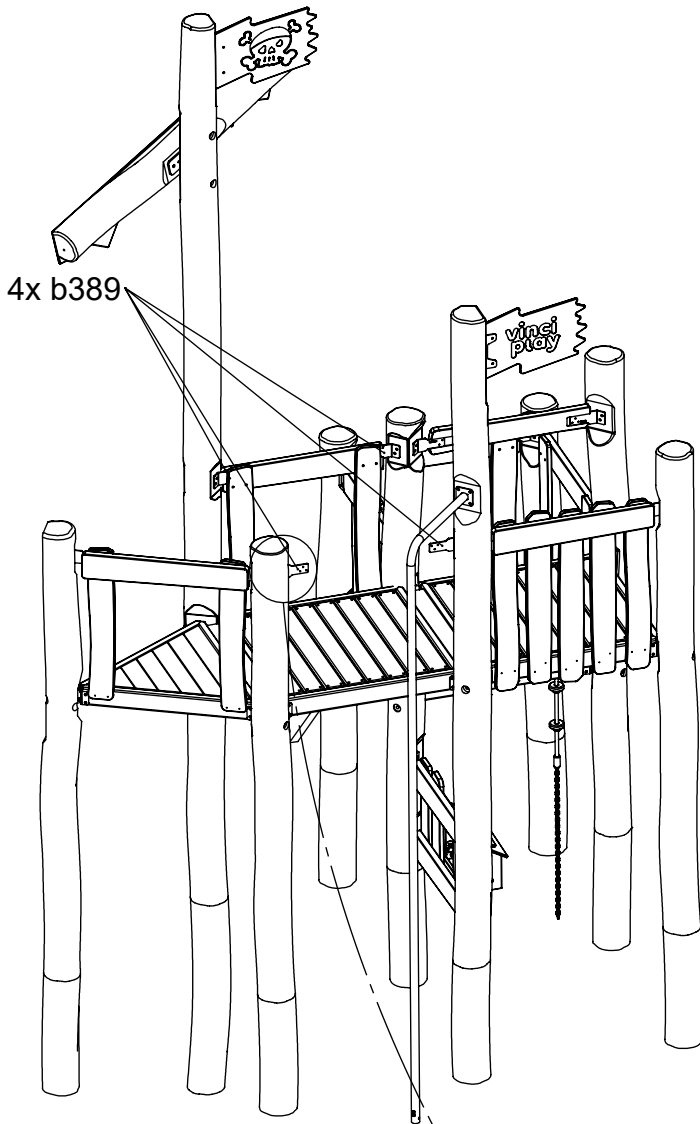


Ø 5,5mm



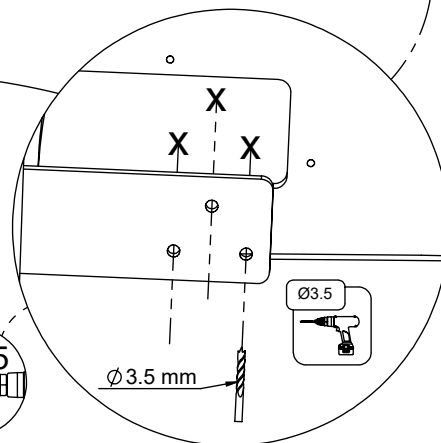
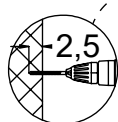
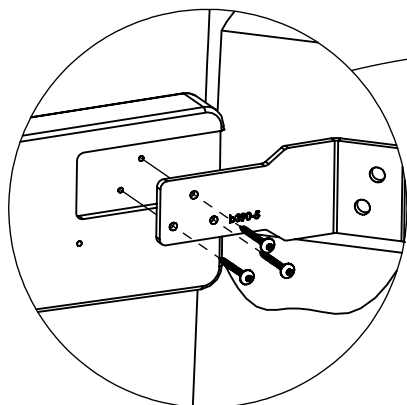
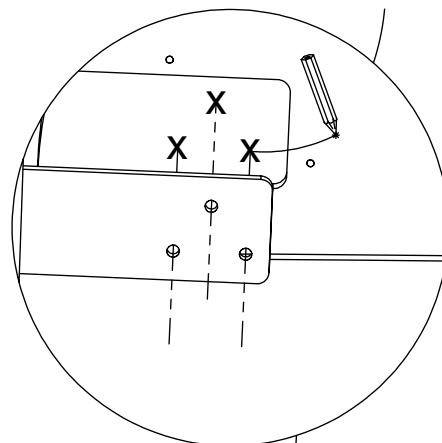
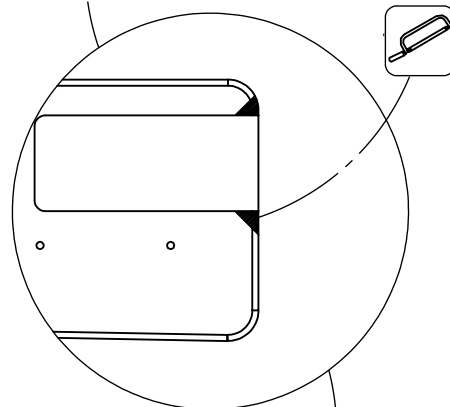
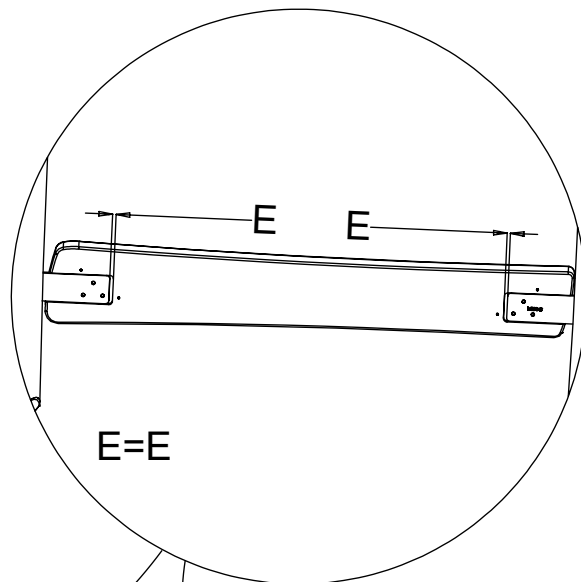
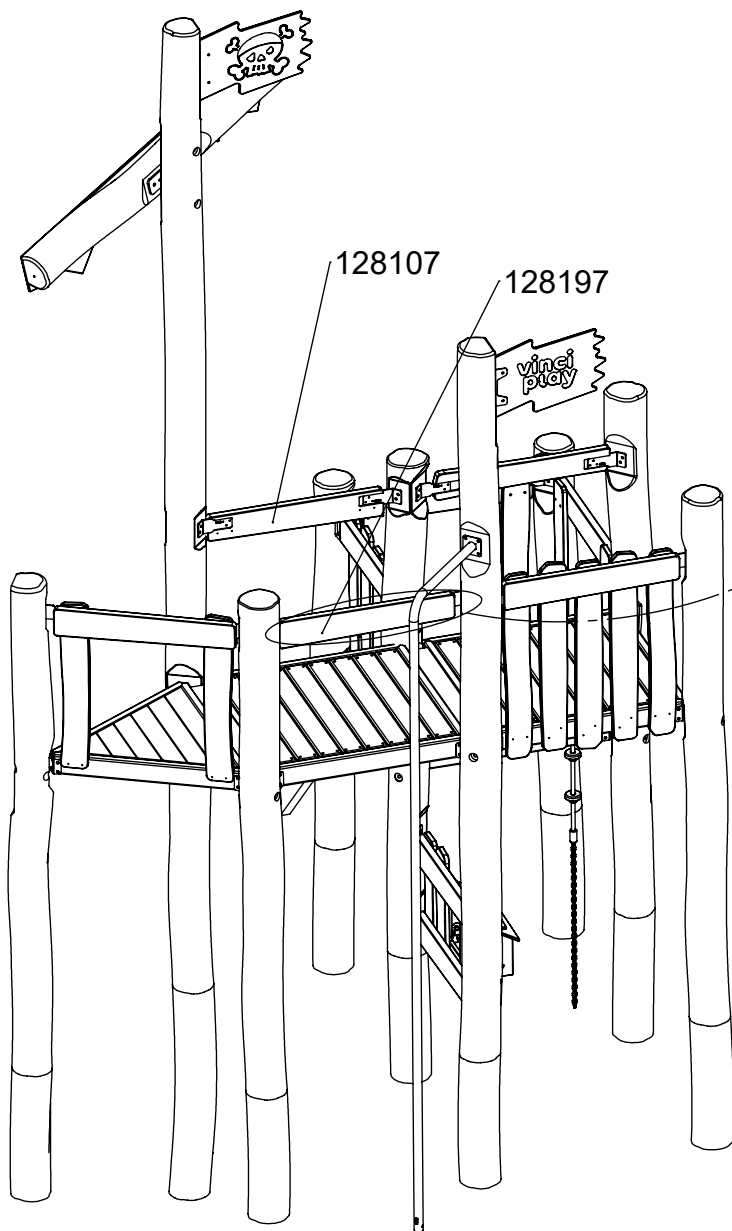
4x 8x160sxt

[cm]



8x 8x50sxi

A-B

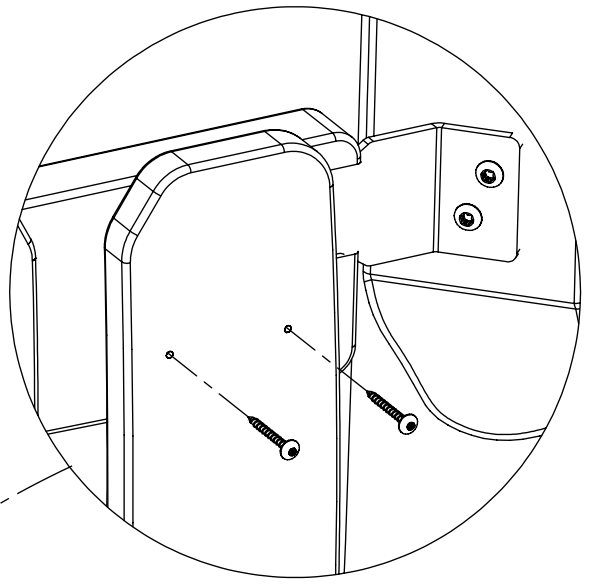


12x 5x30sxs

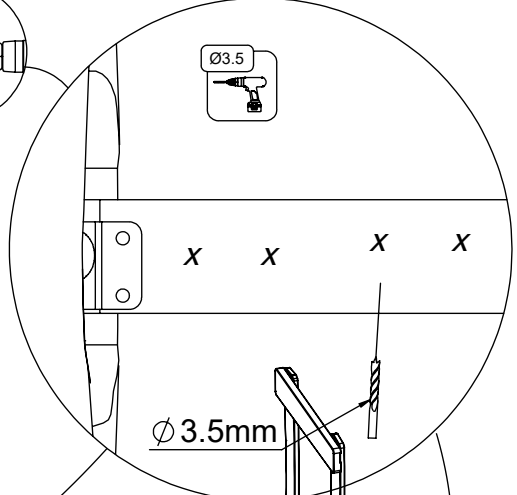
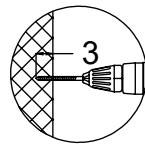
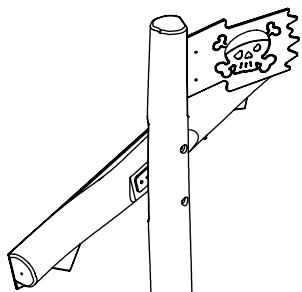
[cm]

vinci
play

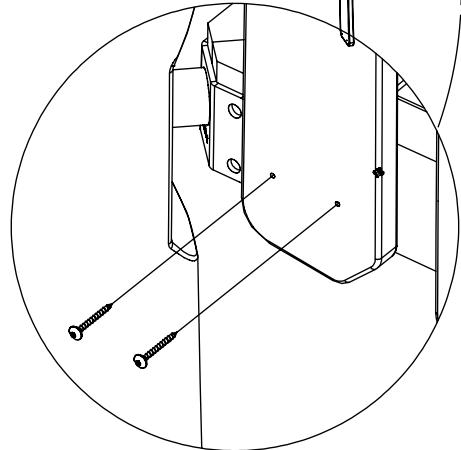
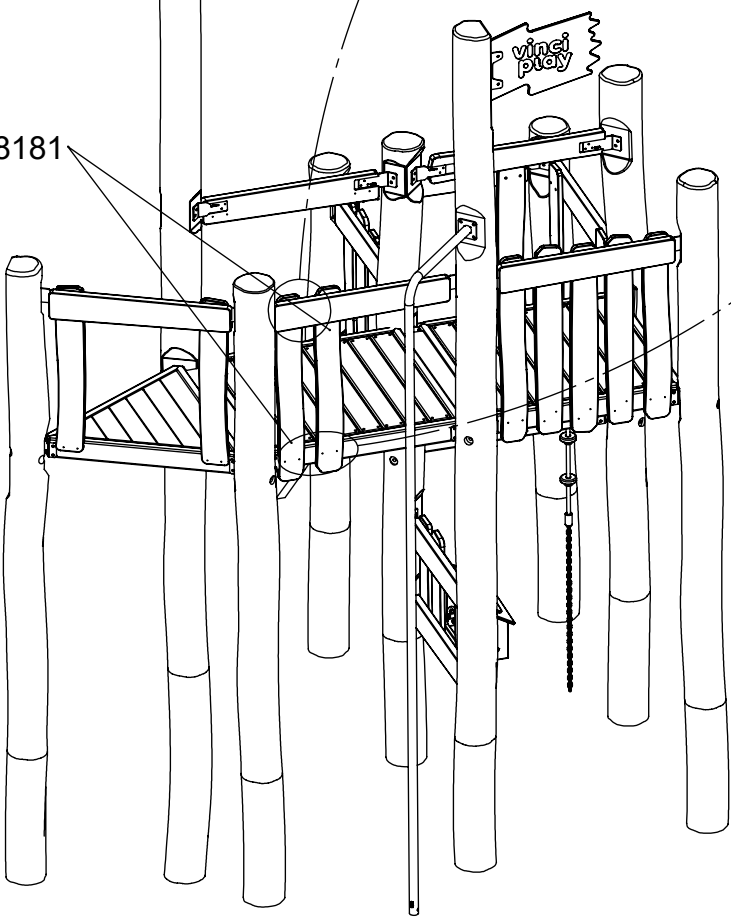
A-B



4x 5x50sxs



2x 128181

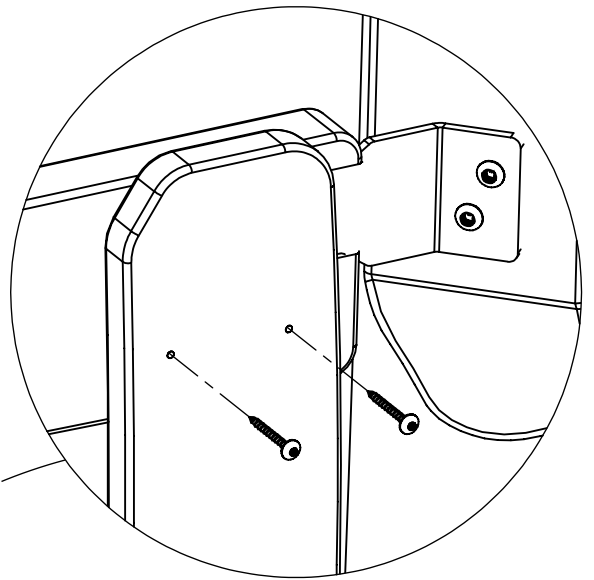
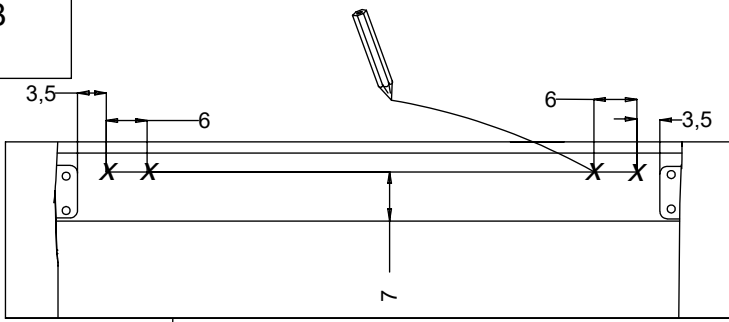


4x 5x50sxs

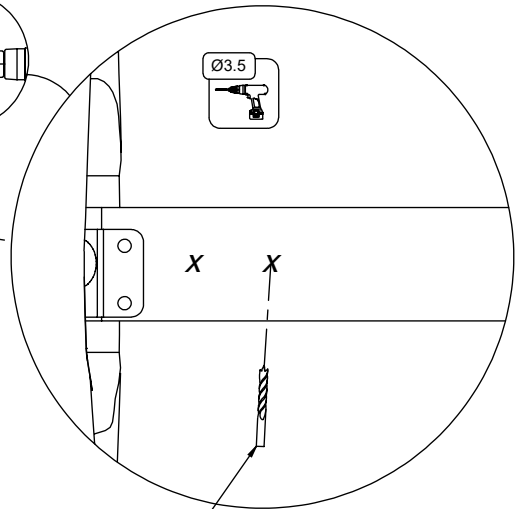
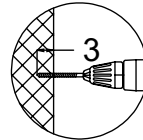
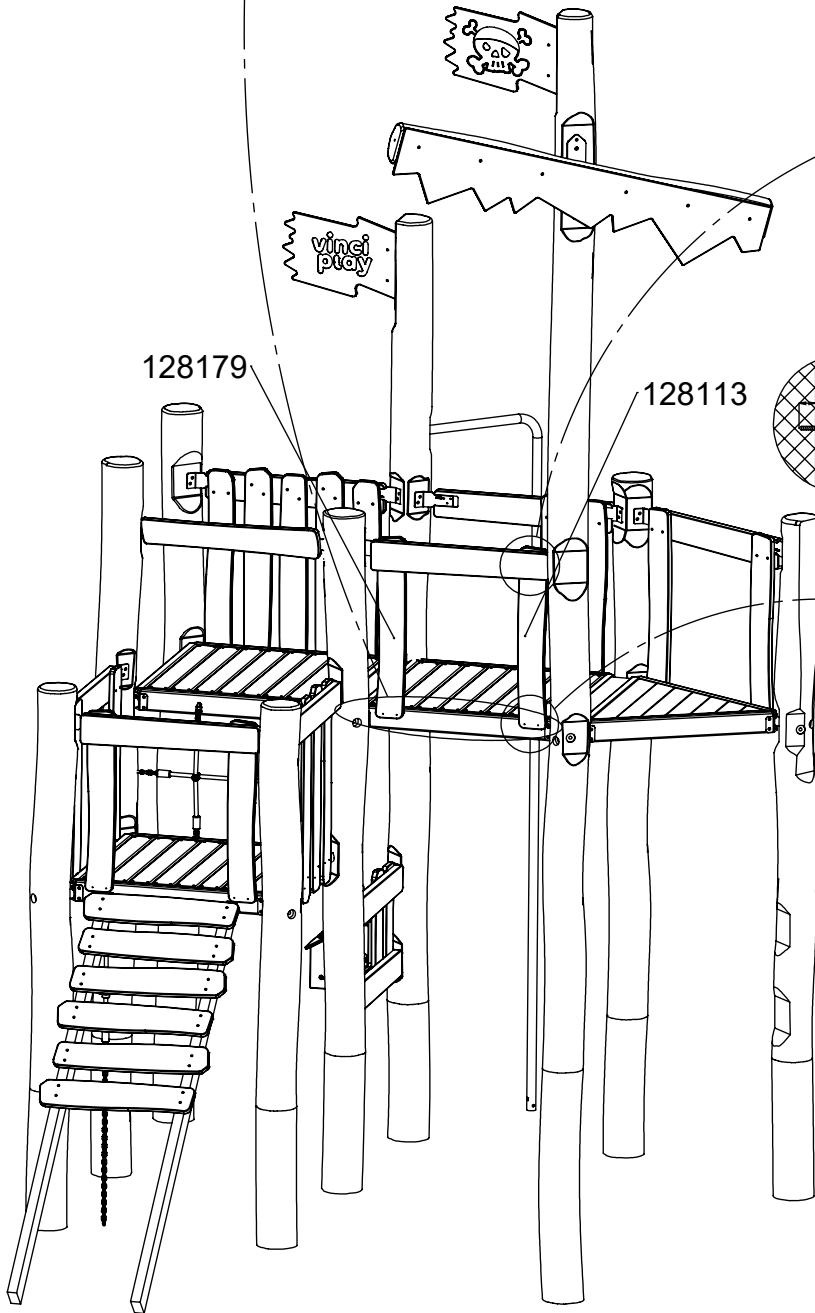
[cm]

vinci
play

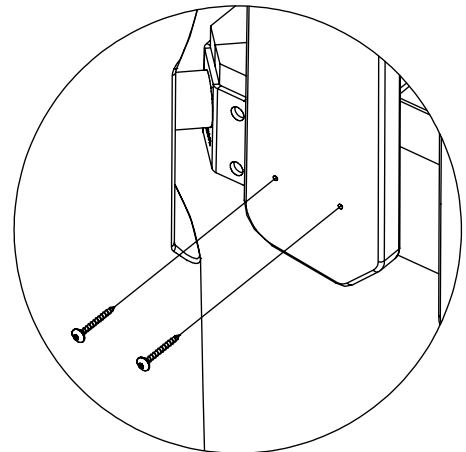
A-B



4x 5x50sxs



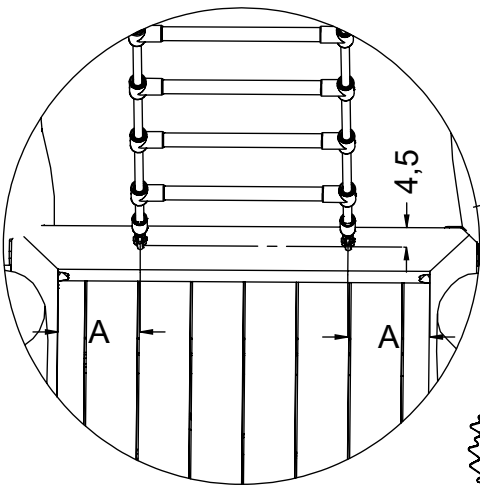
Ø 3.5mm



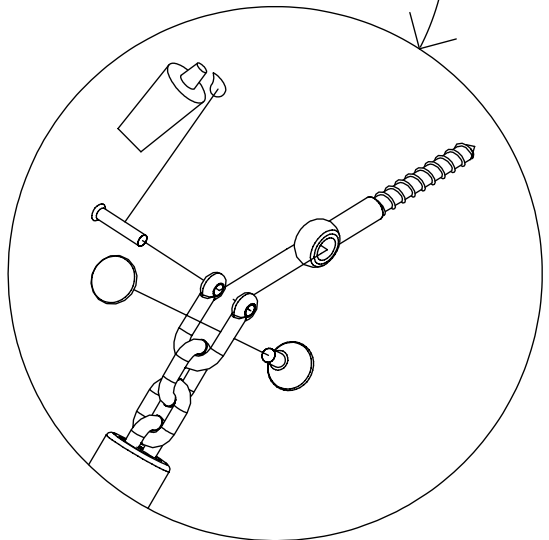
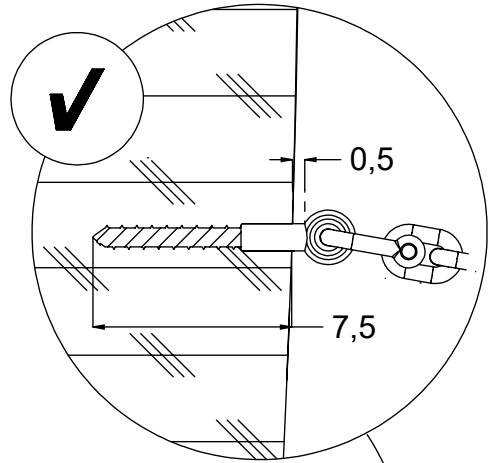
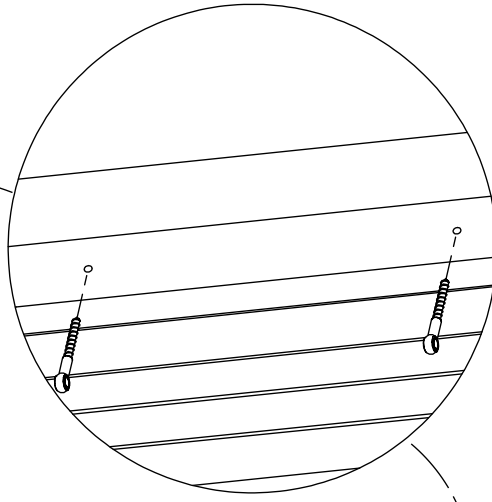
4x 5x50sxs

[cm]

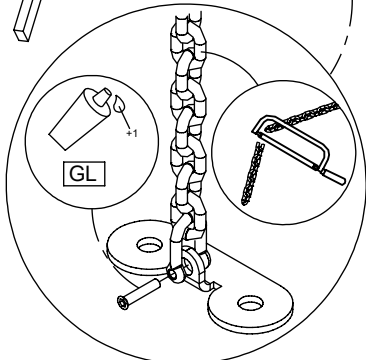
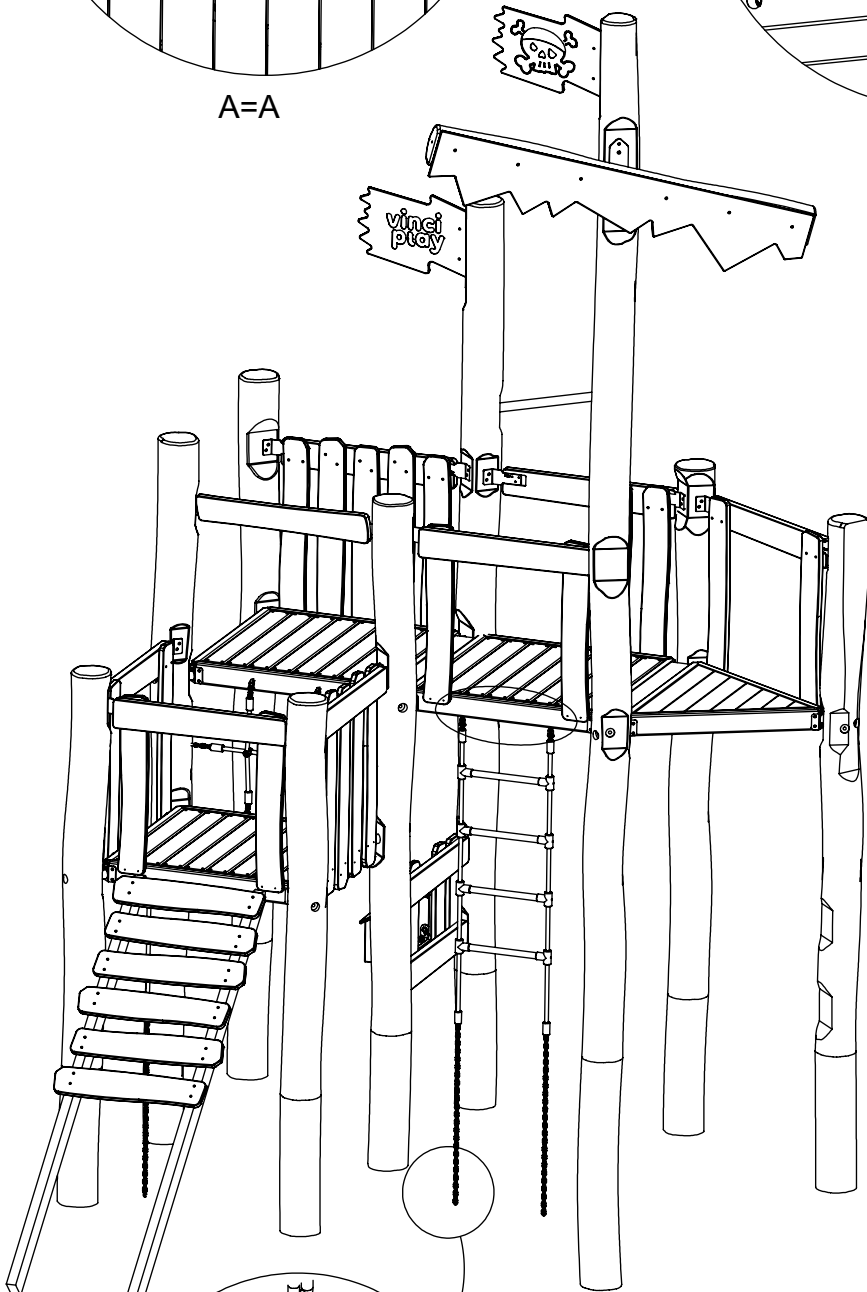
vinci
play



A=A



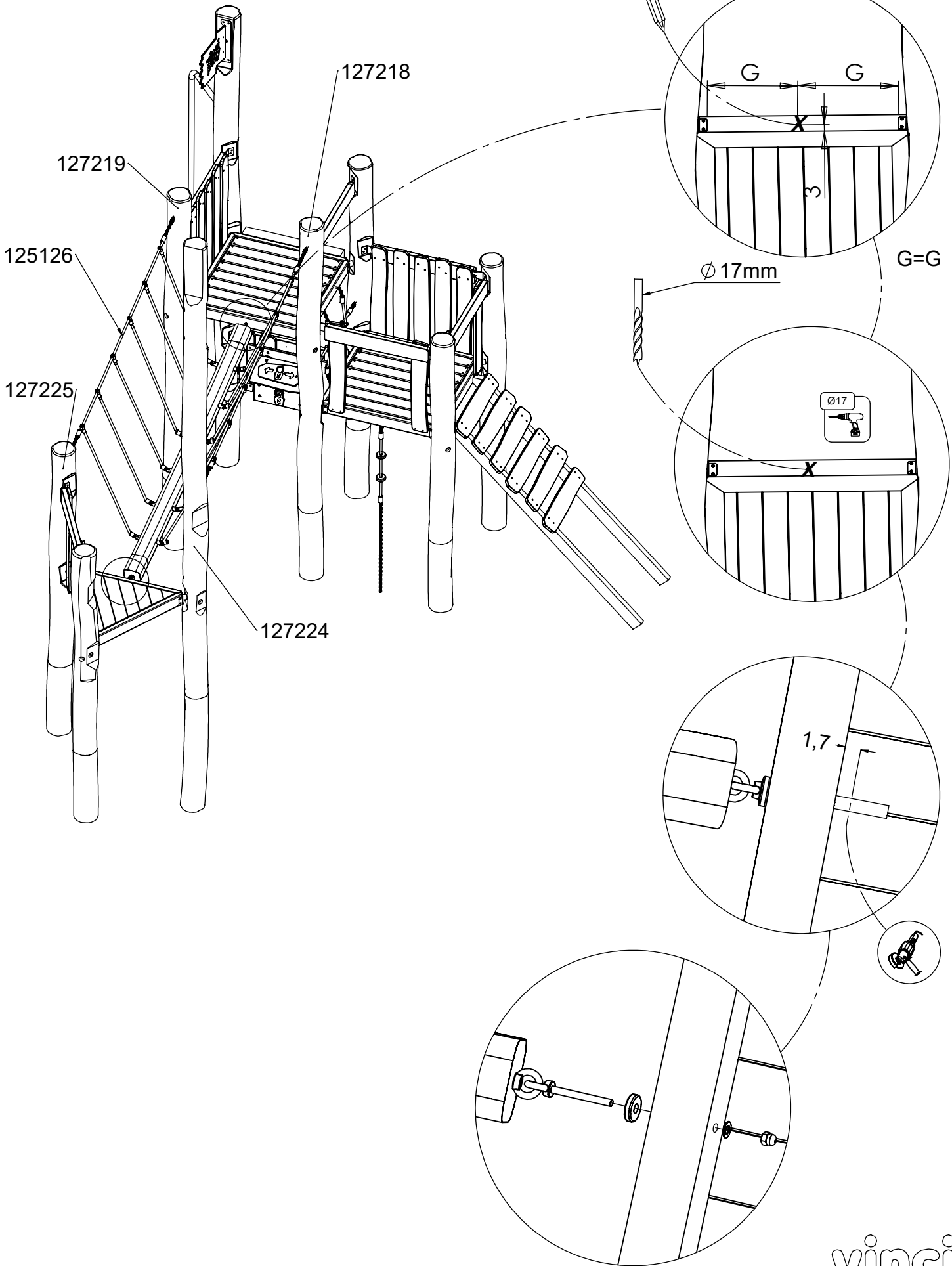
1x 12e007



2x 12e052

[cm]

B-C

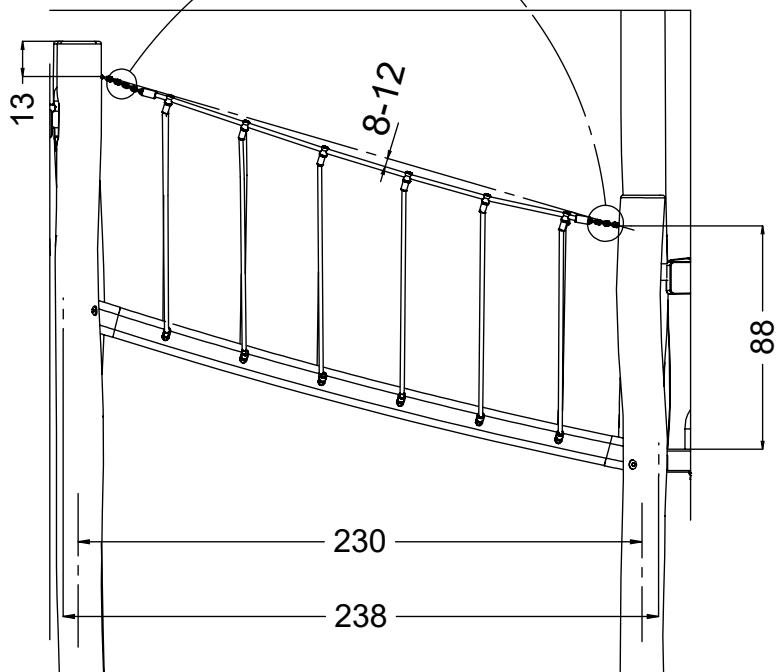
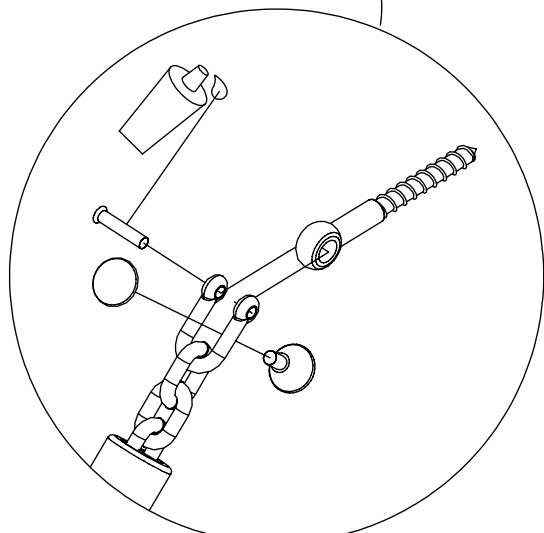
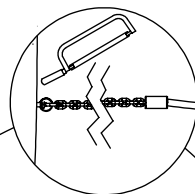
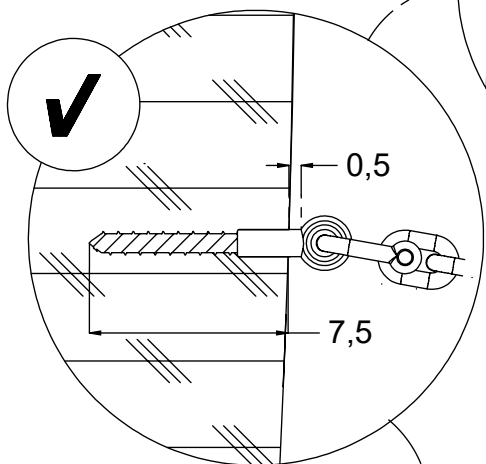
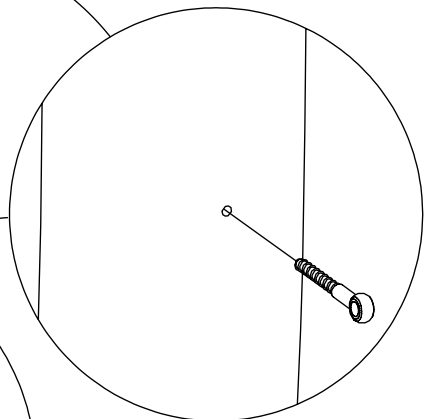
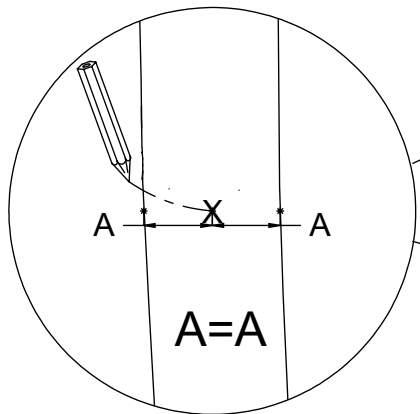
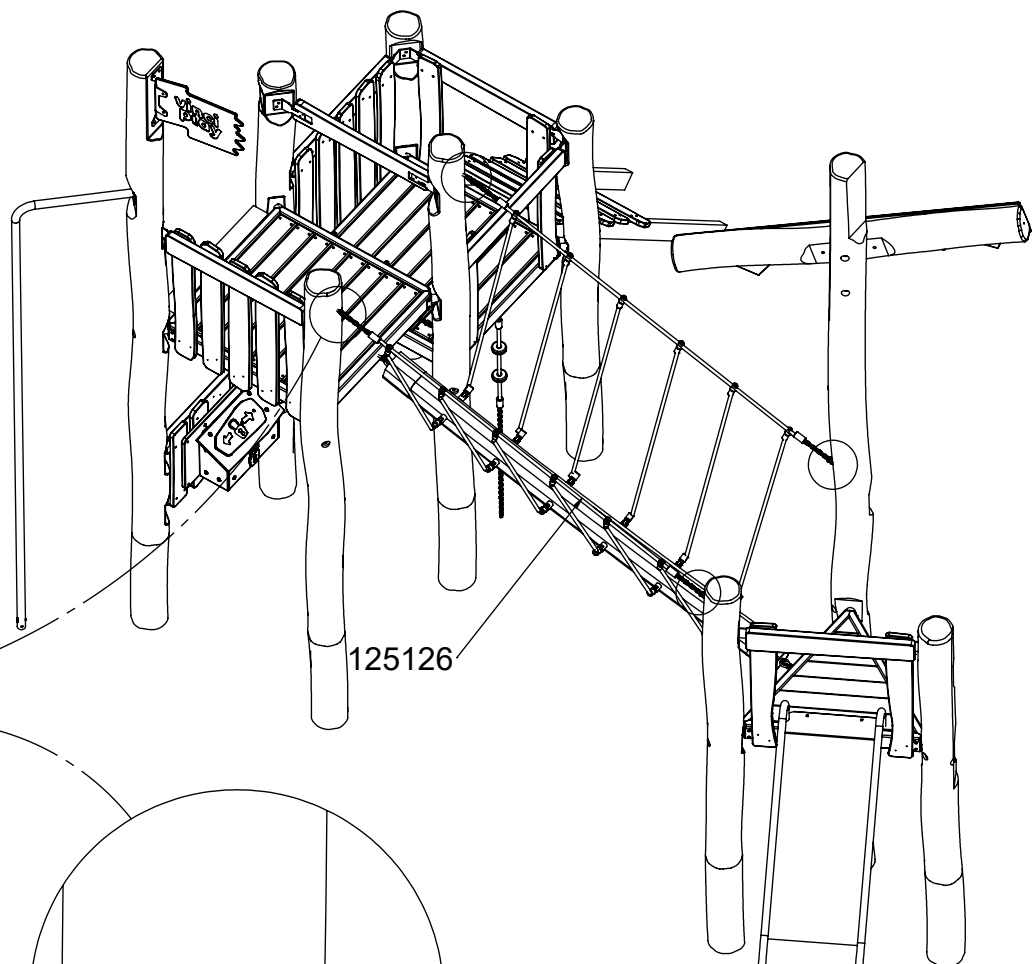


[cm]

1x 12e051

vinci
play

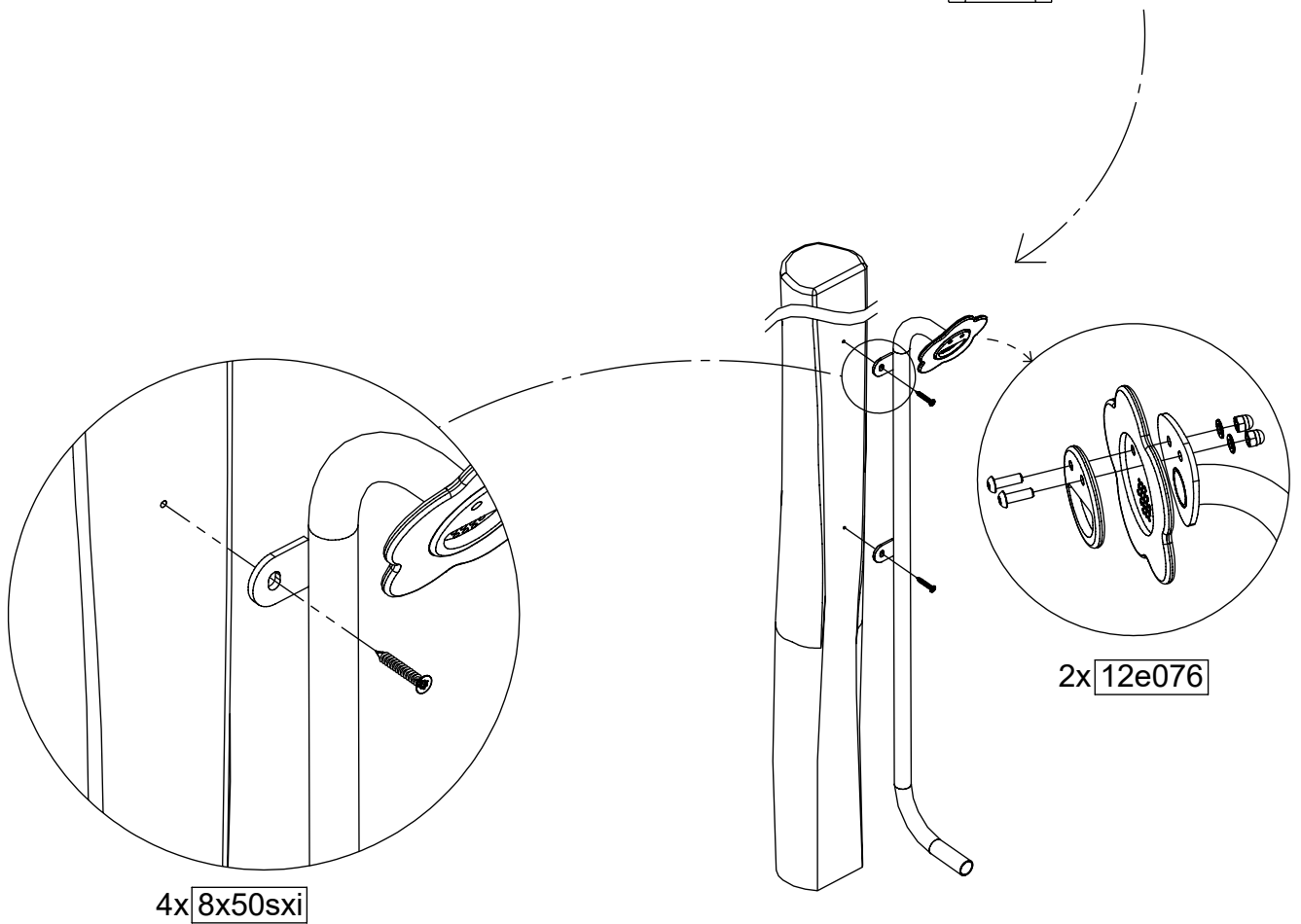
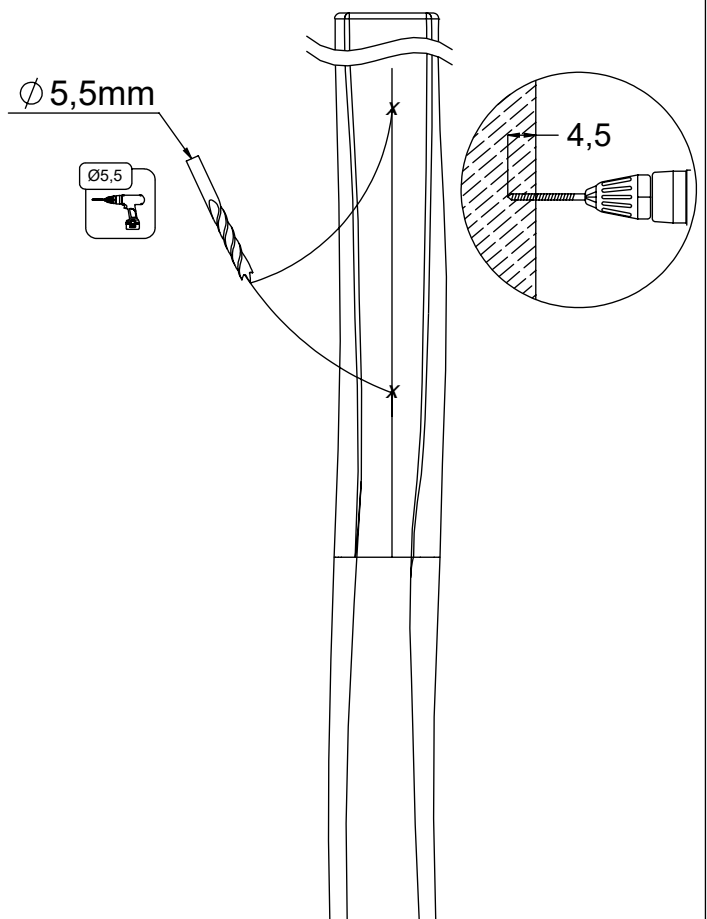
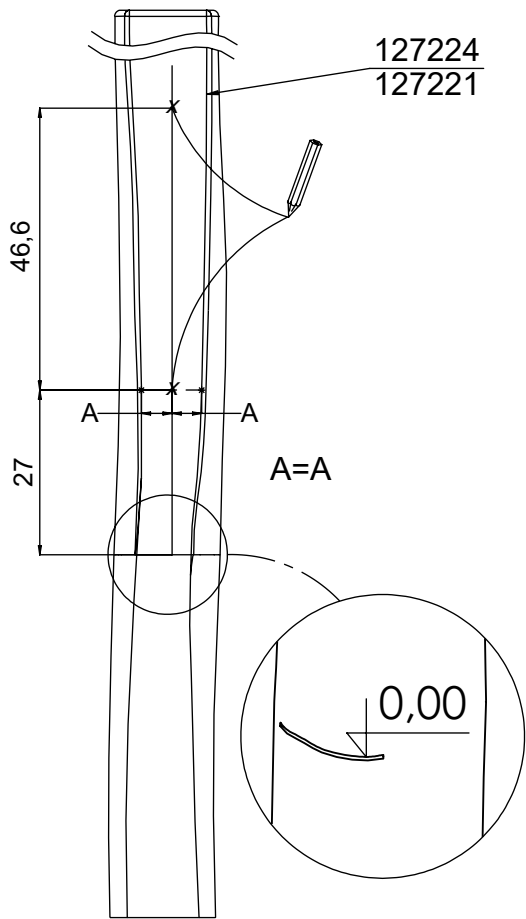
B-C

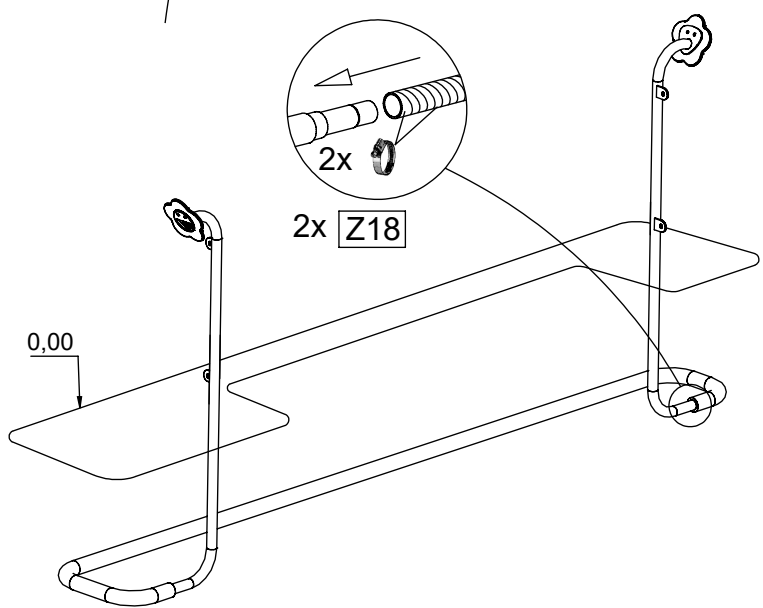
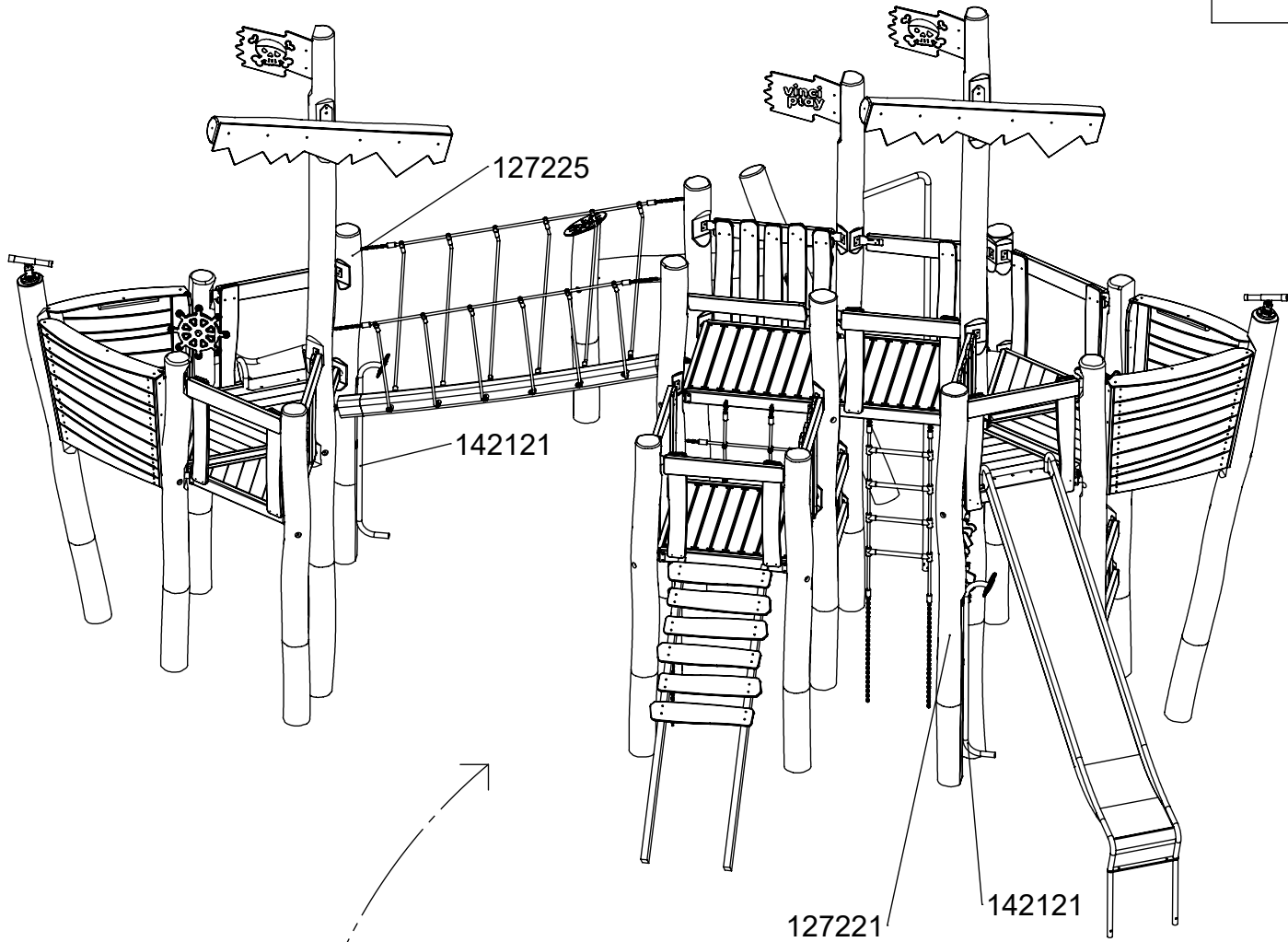


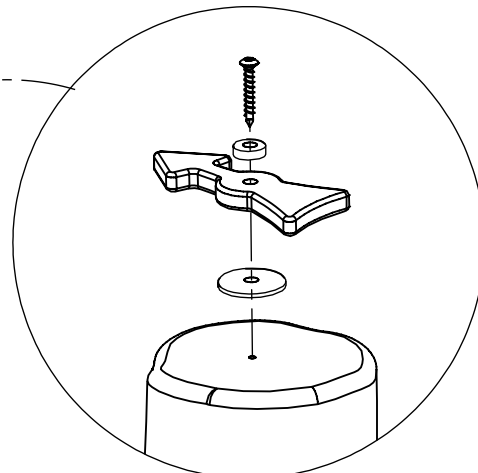
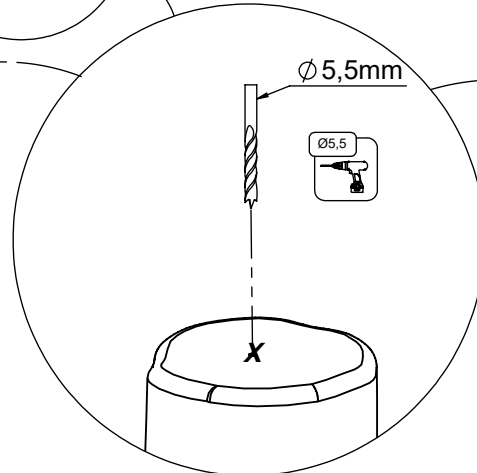
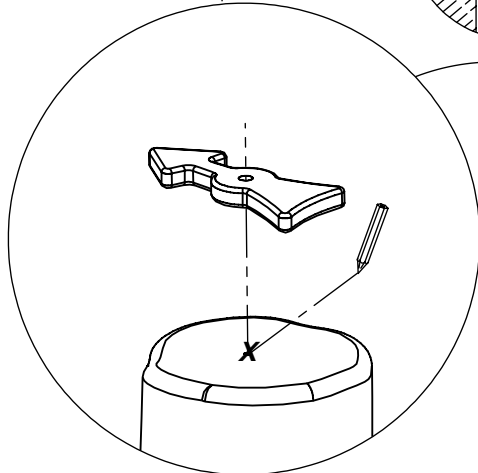
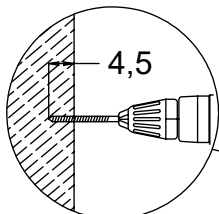
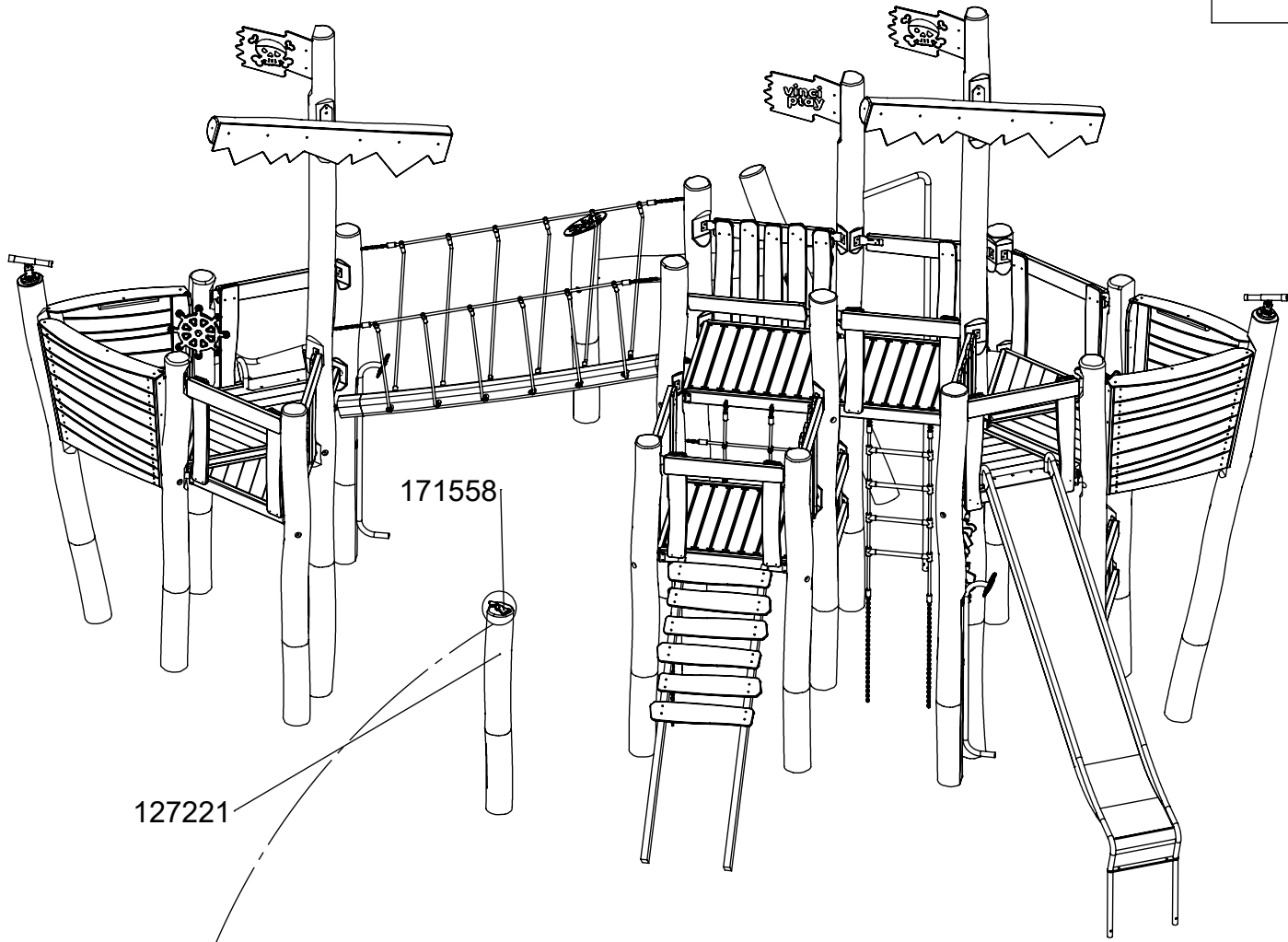
[cm]

2x 12e007

vinci
play

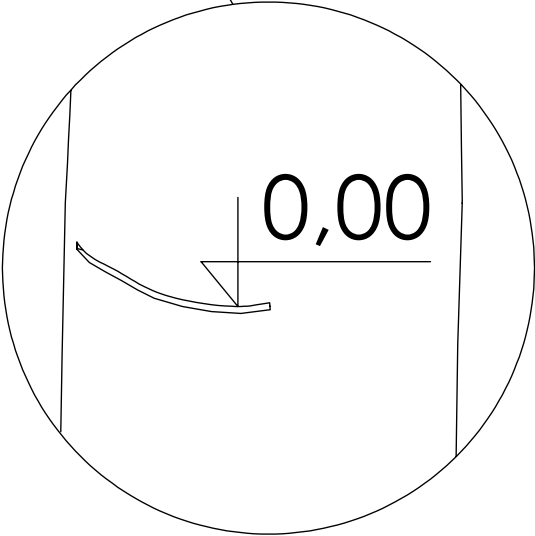
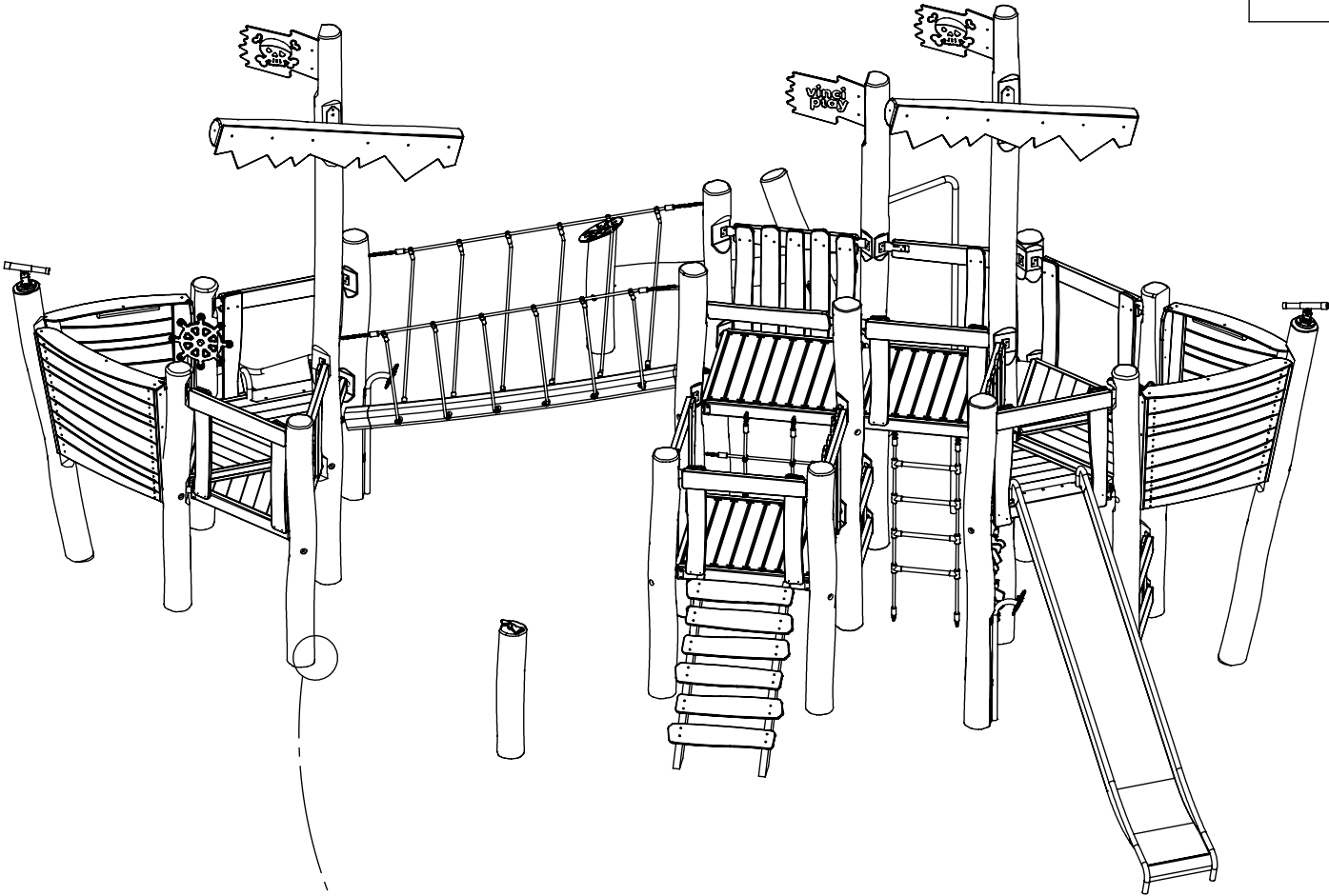






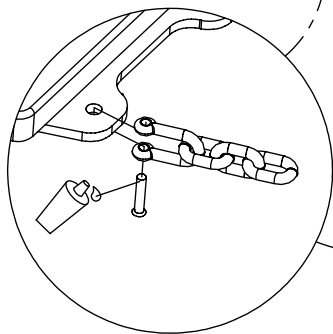
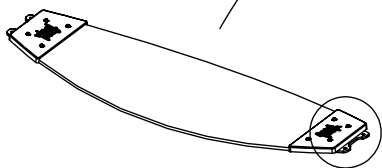
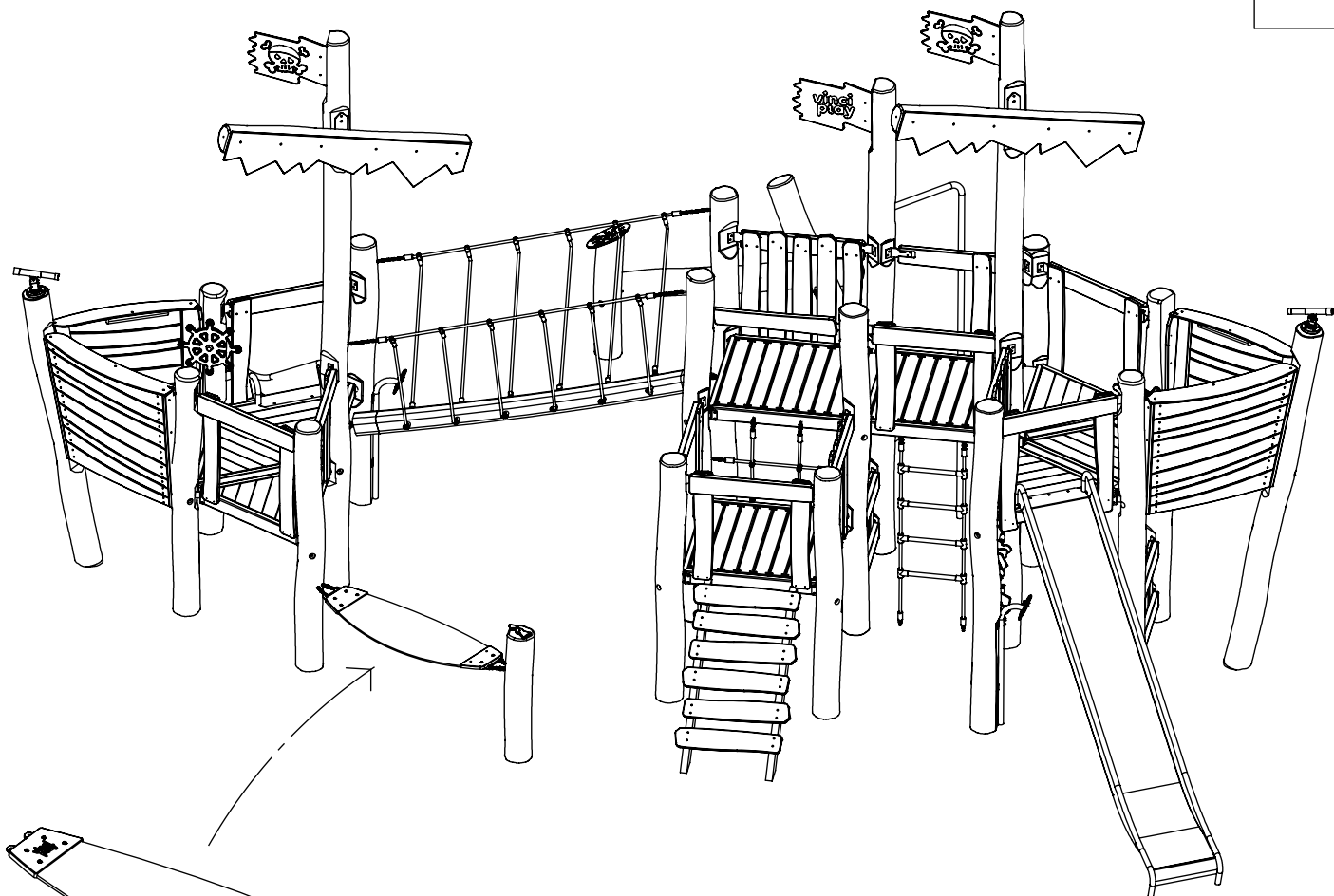
1x 12e087

1x 8x160 sxt

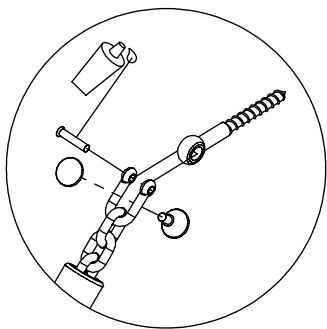
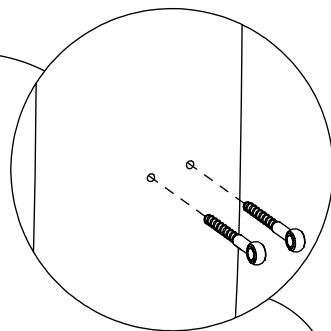
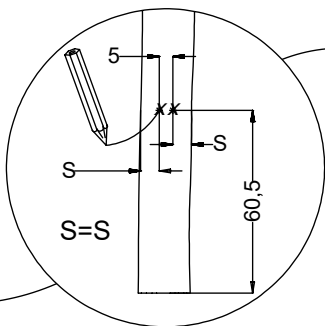


48h

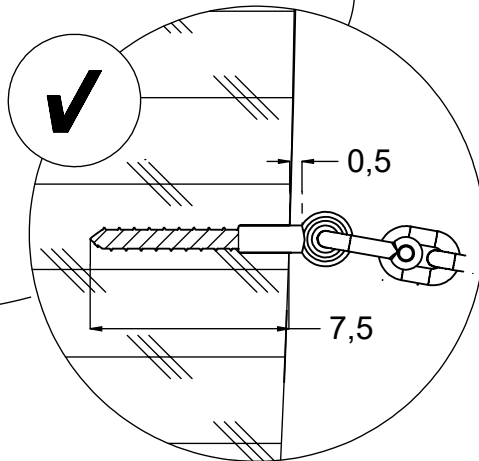
An icon of a concrete mixer truck, used to indicate a 48-hour curing time for the concrete base.

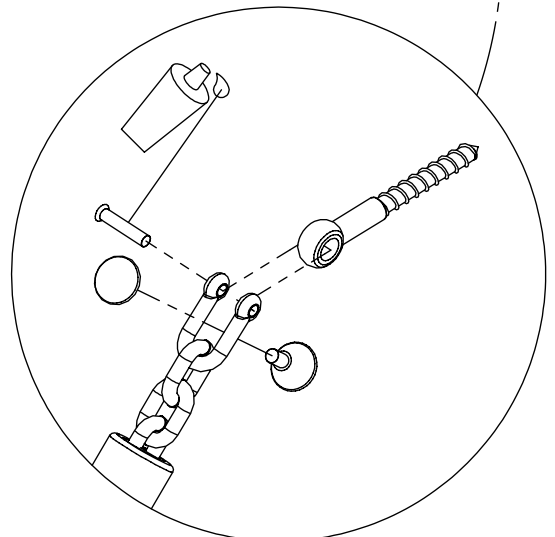
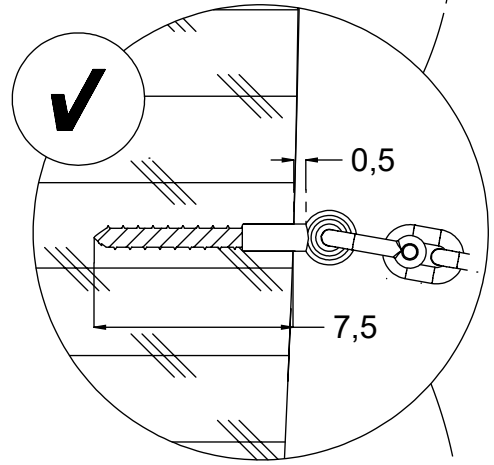
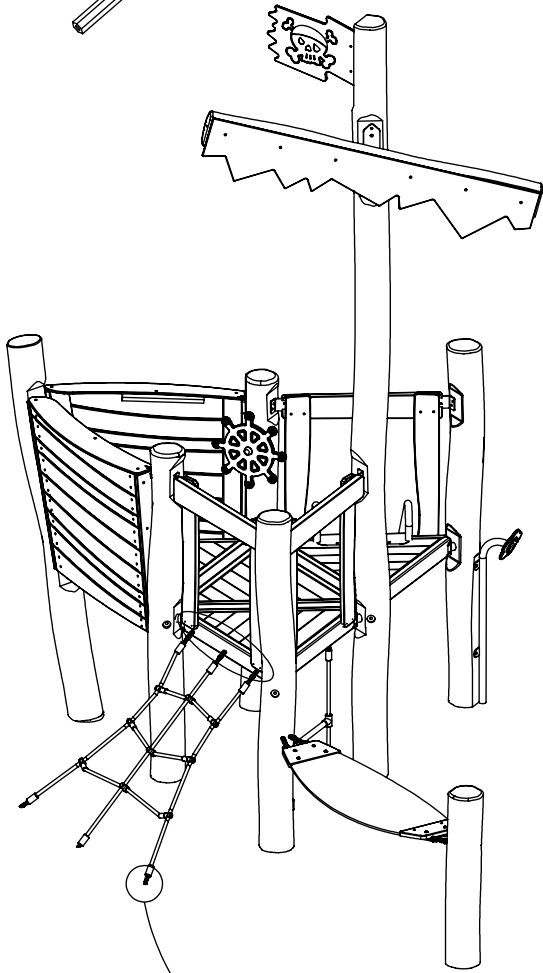
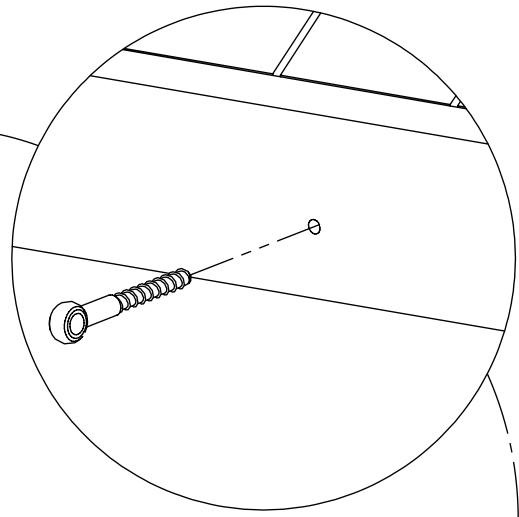
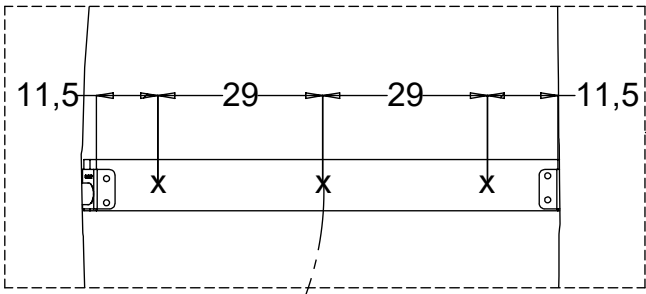


1x 12e024

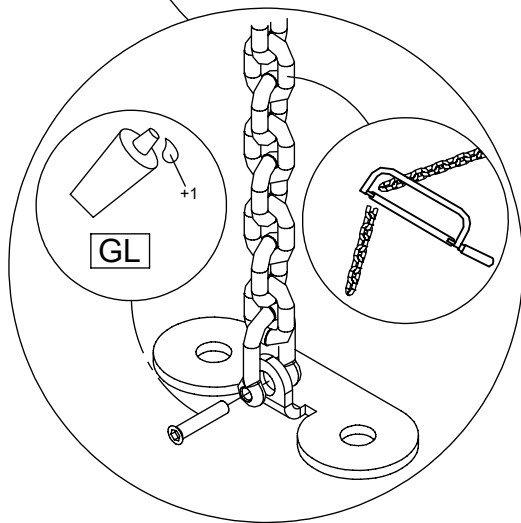


2x 12e007

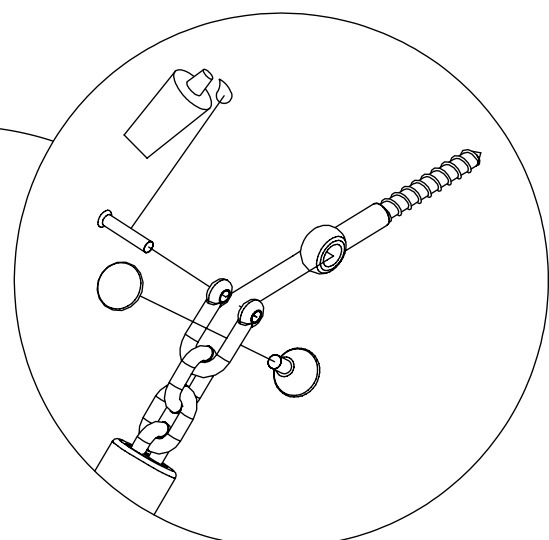
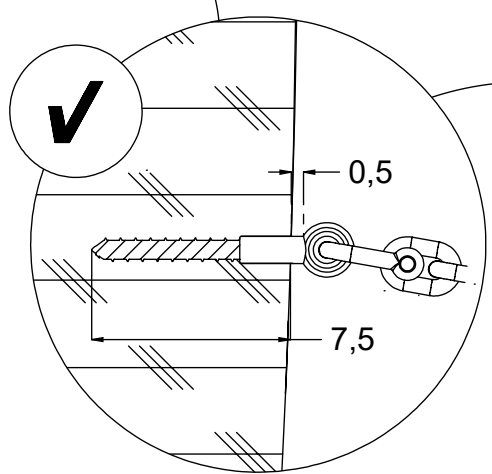
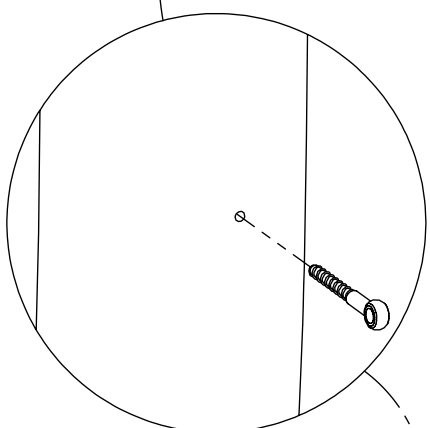
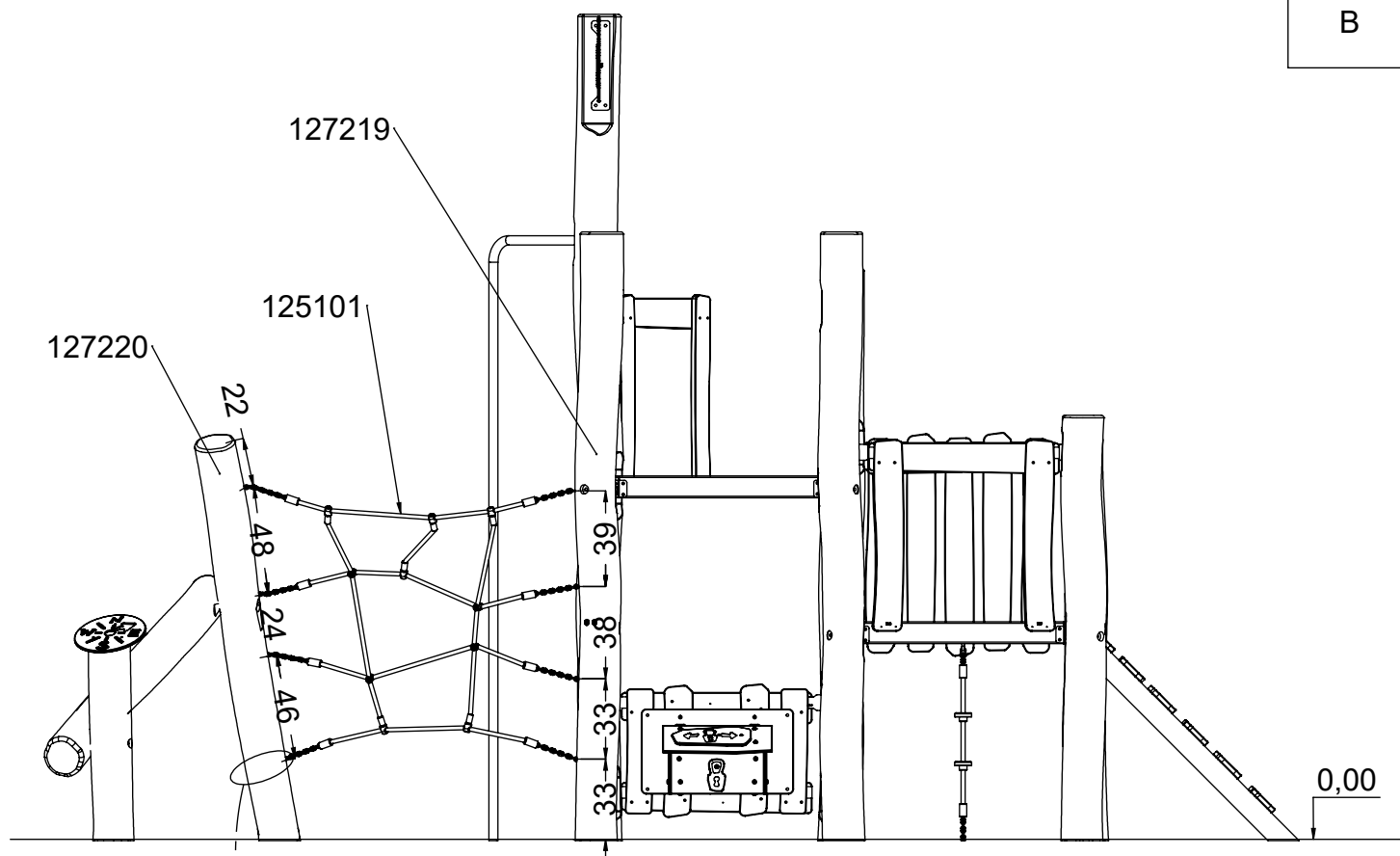




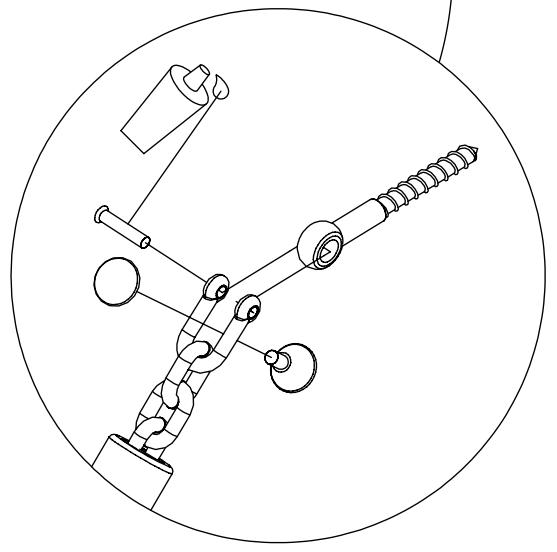
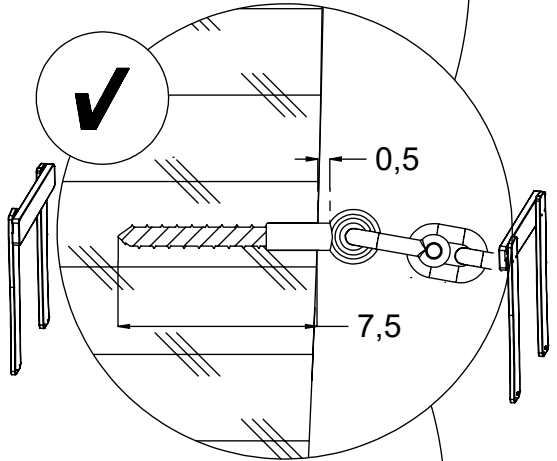
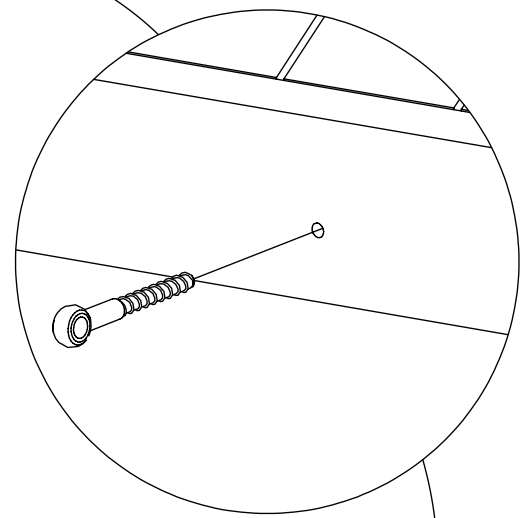
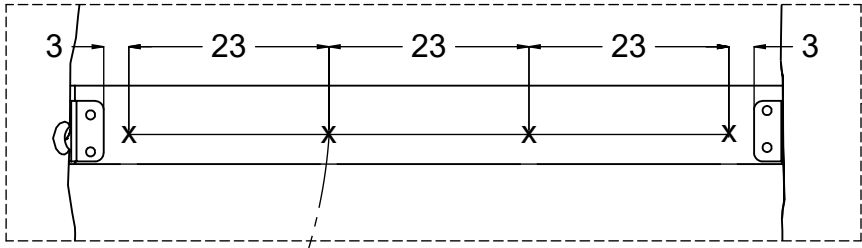
1x 12e015



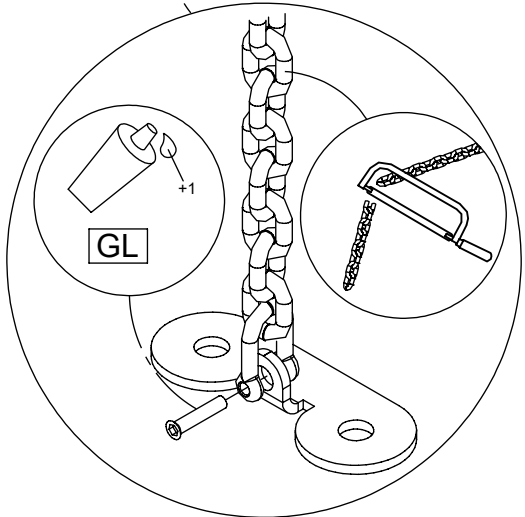
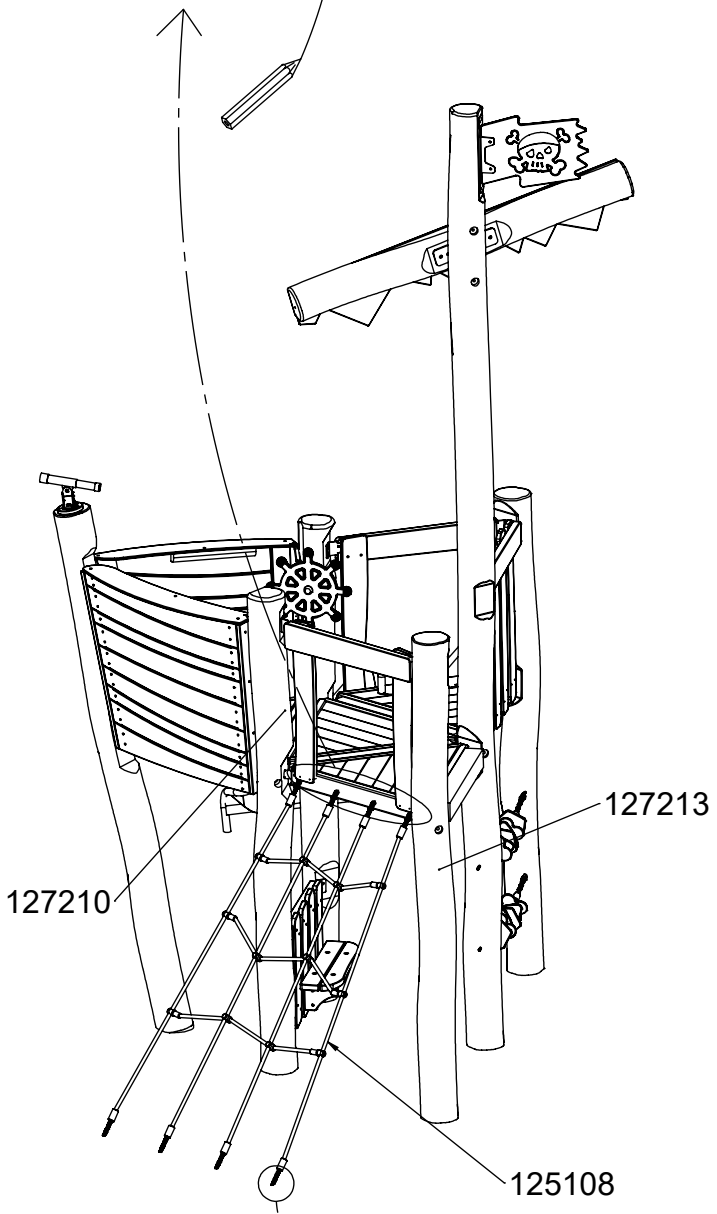
3x 12e052



4x 12e007

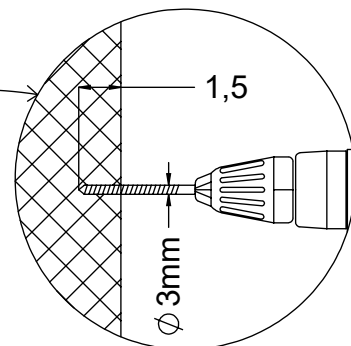
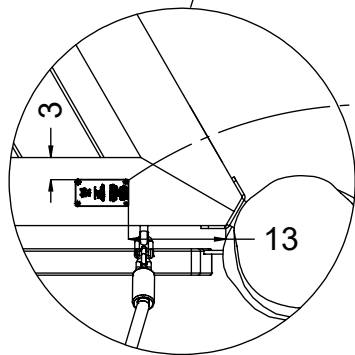
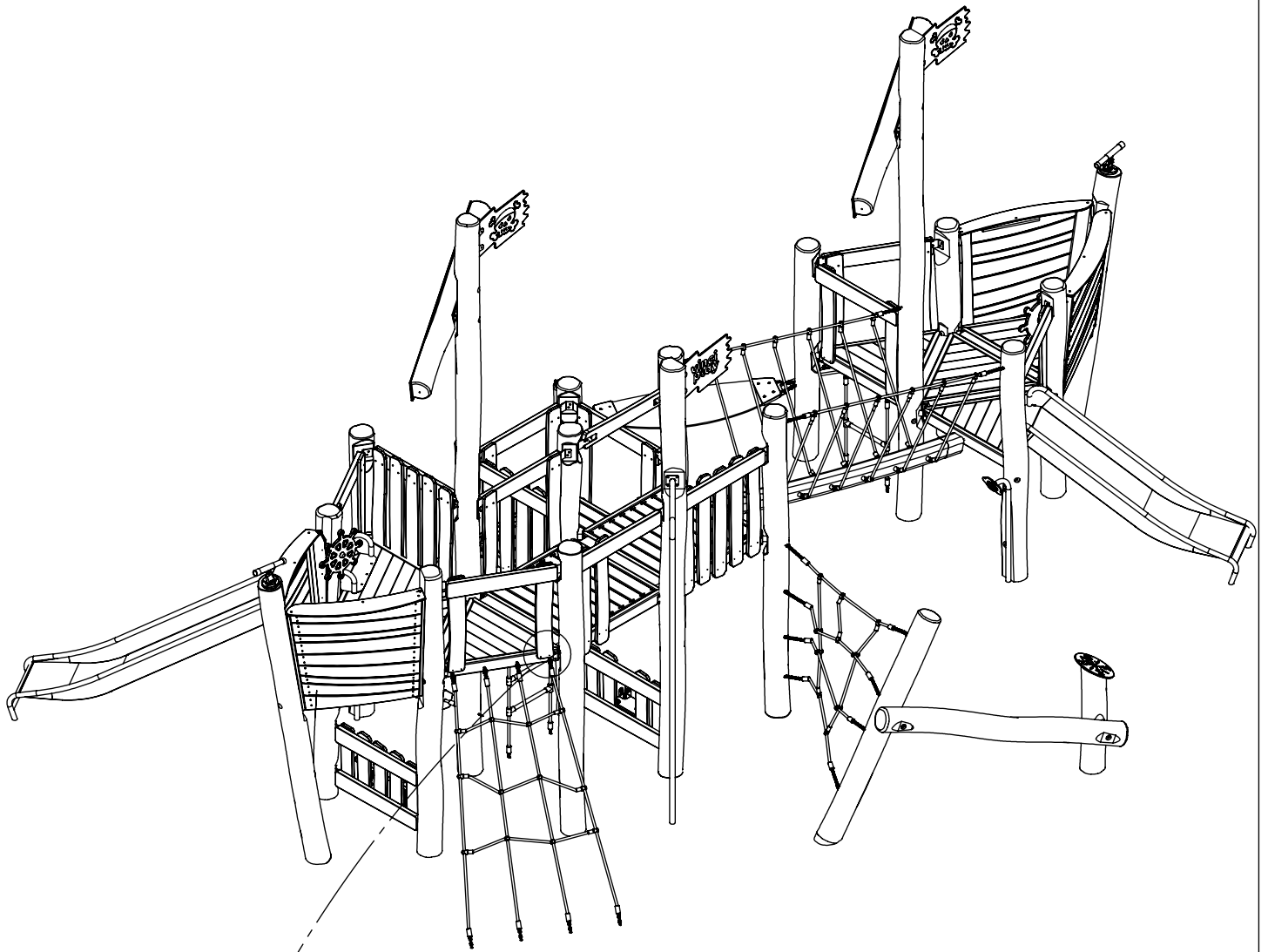


2x 12e007

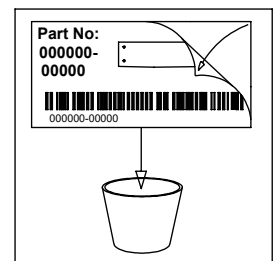


4x 12e052

[cm]



V001



[cm]

vinci
play