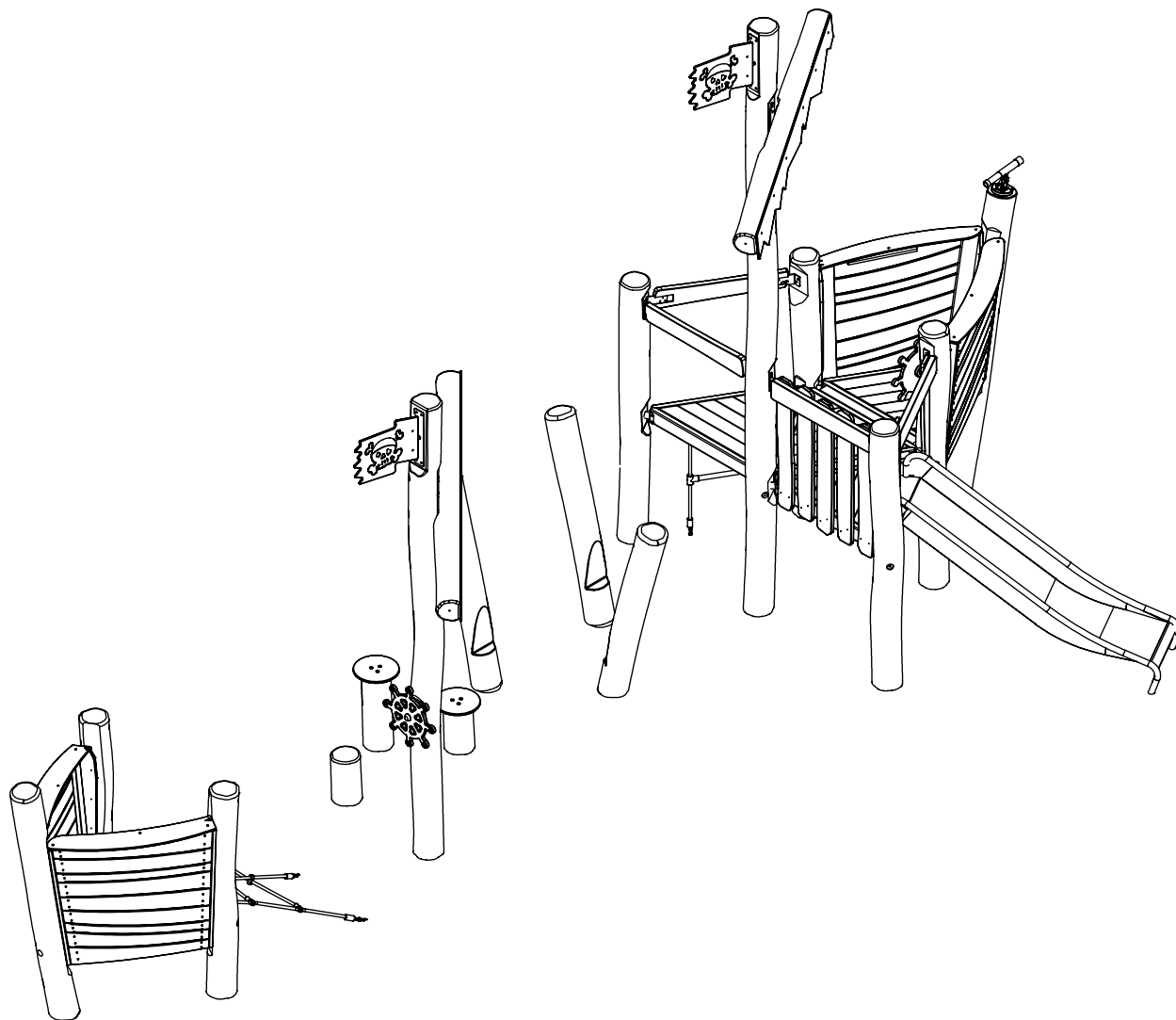


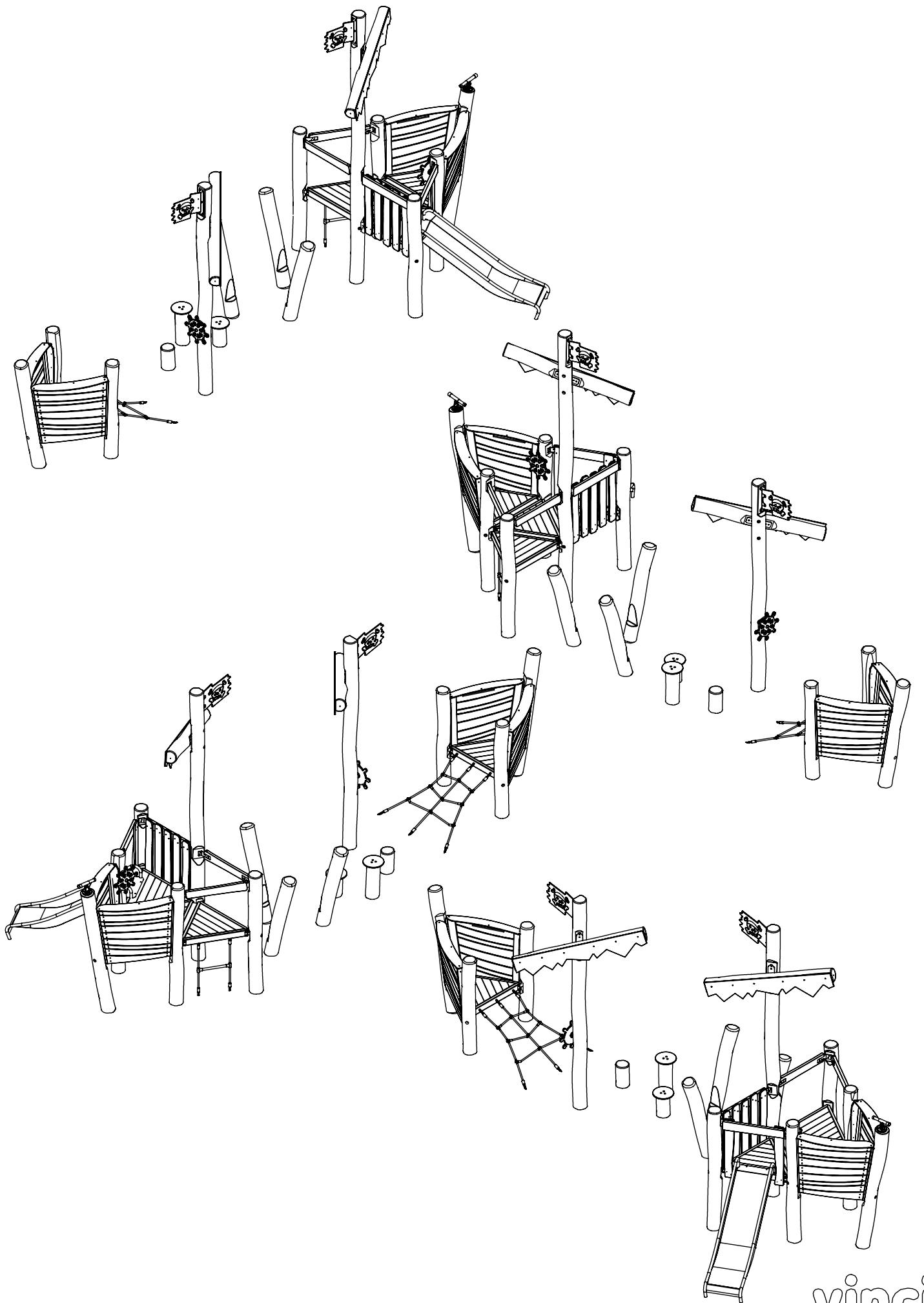
RB1237



| | | | | | | | | | | | |
|------------|-------|------|------|-----|-----|-----------------------------------|----------------------------------|---------------------------------|----------------------------------|-----------|--|
| EN 1176 | 10,5h | 2x | | | 48h | K21 x11 >0,06m ³ | K29 x5 >0,06m ³ | K1 x6 >0,06m ³ | K17 x3 >0,06m ³ | 90 HIC | |
| | Ø3 | Ø3,5 | Ø5,5 | Ø10 | Ø24 | Ø24 | 3 | 13 | 17 | 24 | |

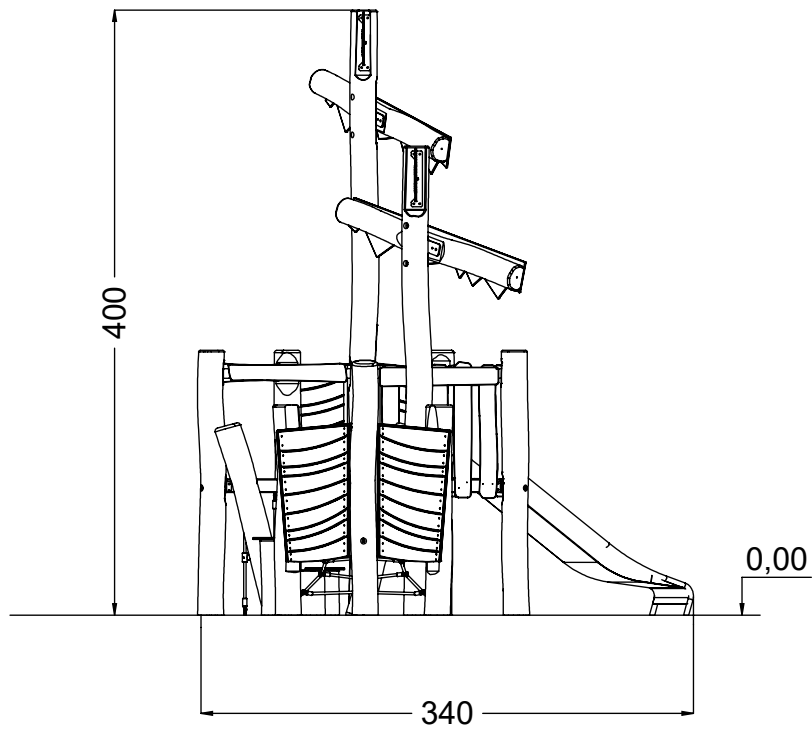
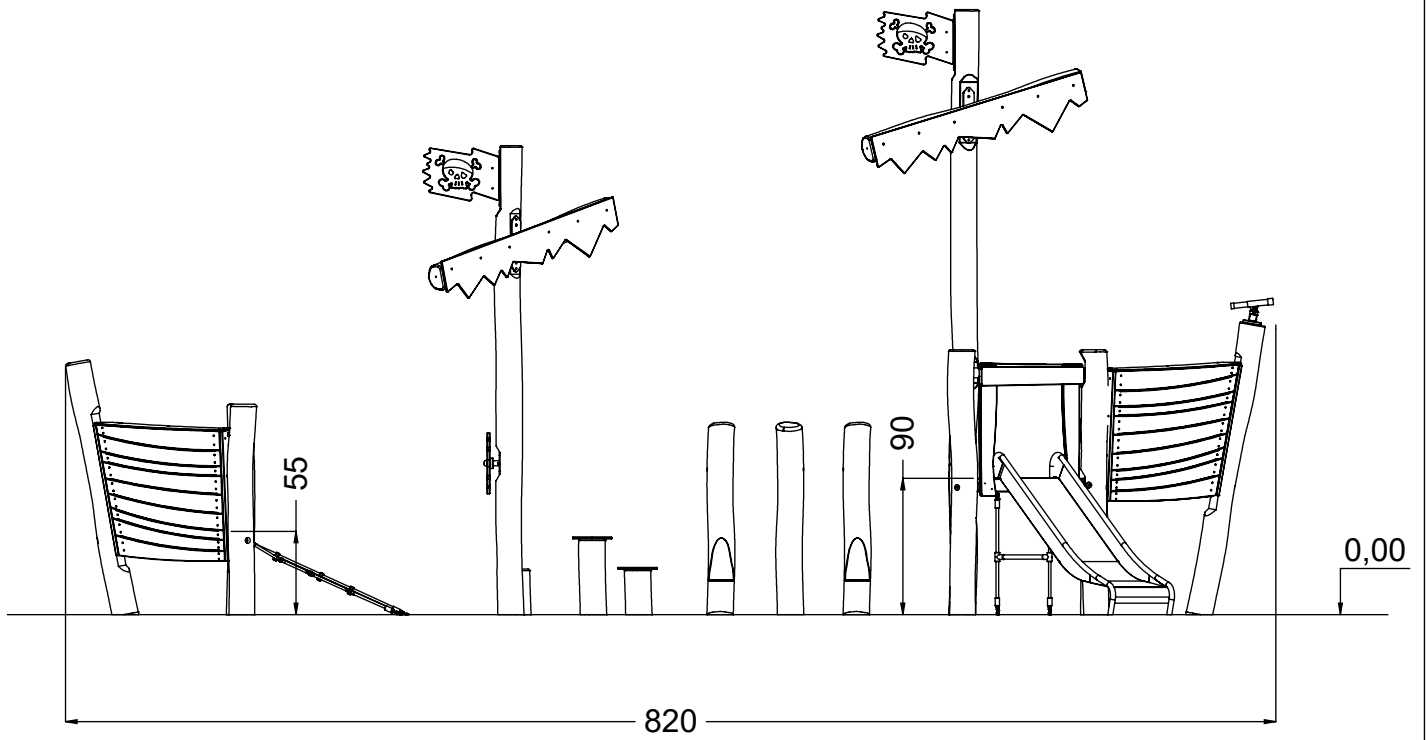
v012
22.02.2022
D. P.
[cm]

vinci
play



[cm]

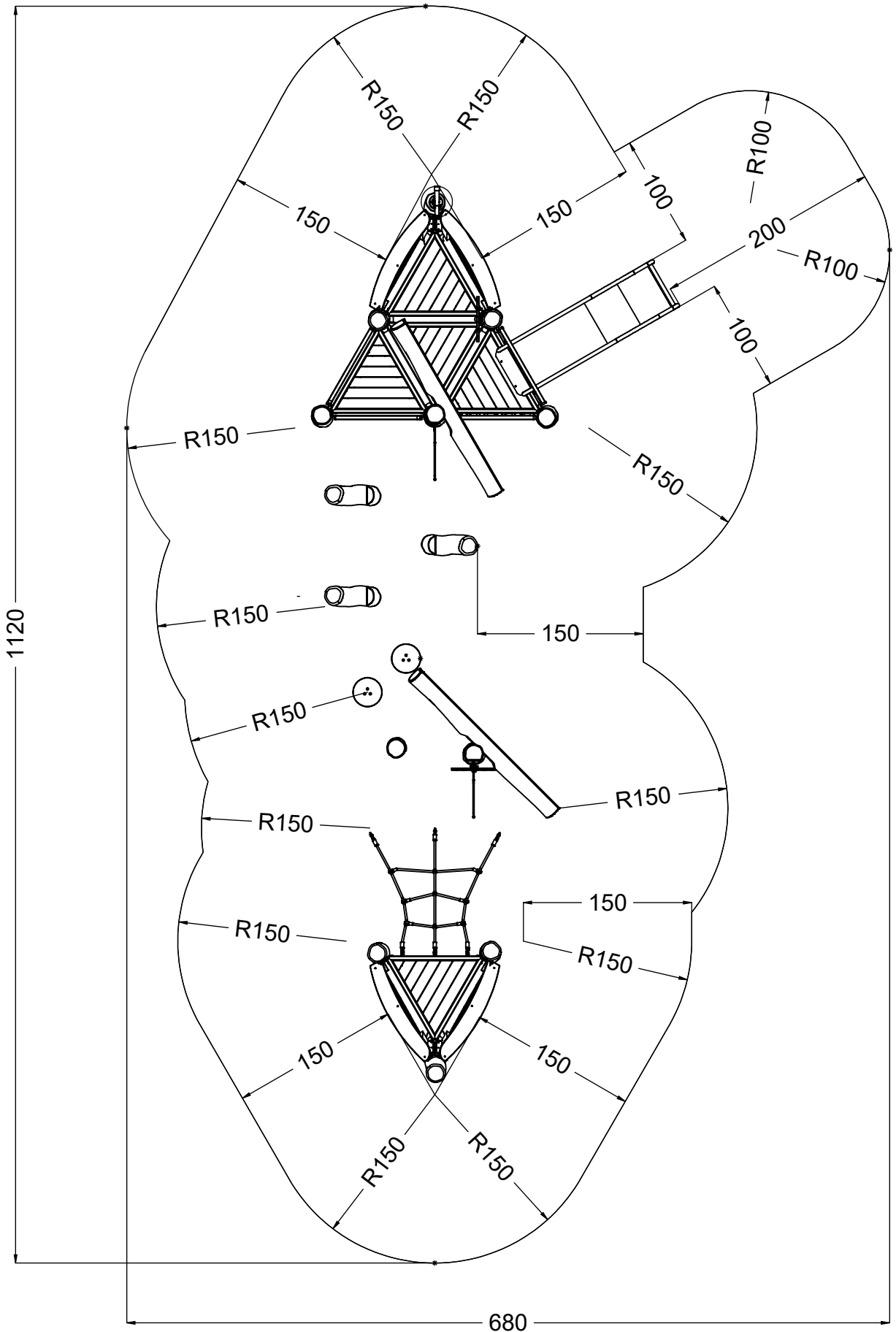
vinci
play



[cm]



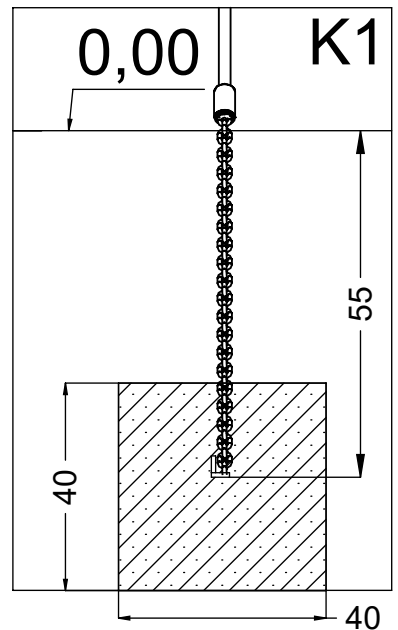
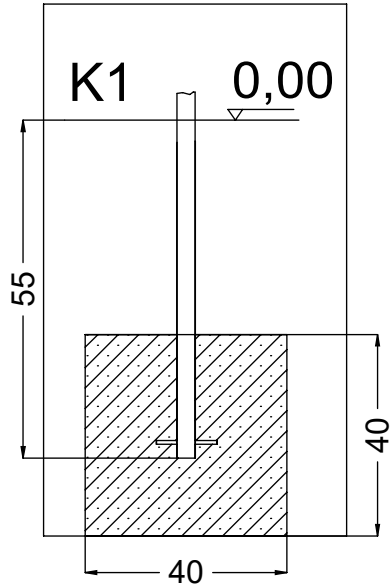
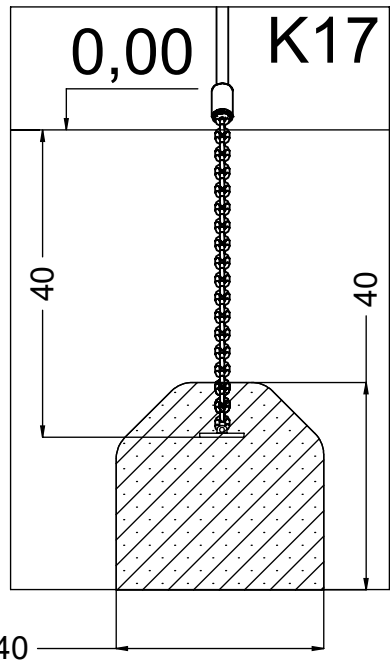
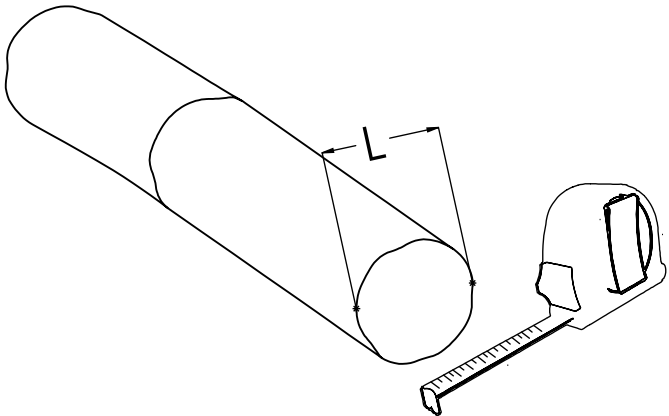
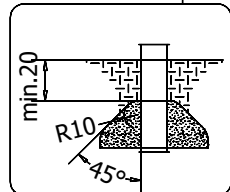
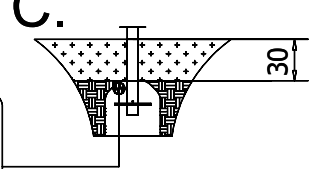
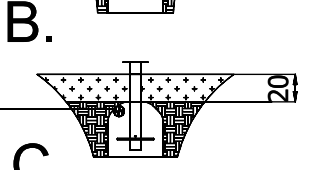
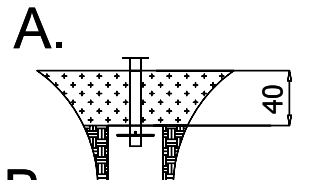
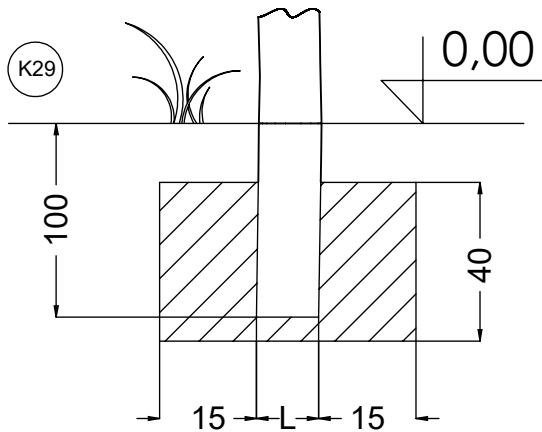
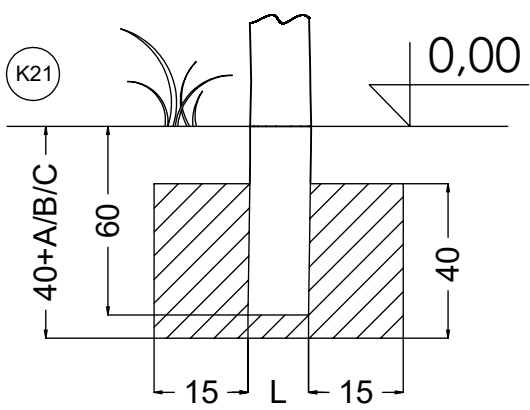
vinci
play



[cm]



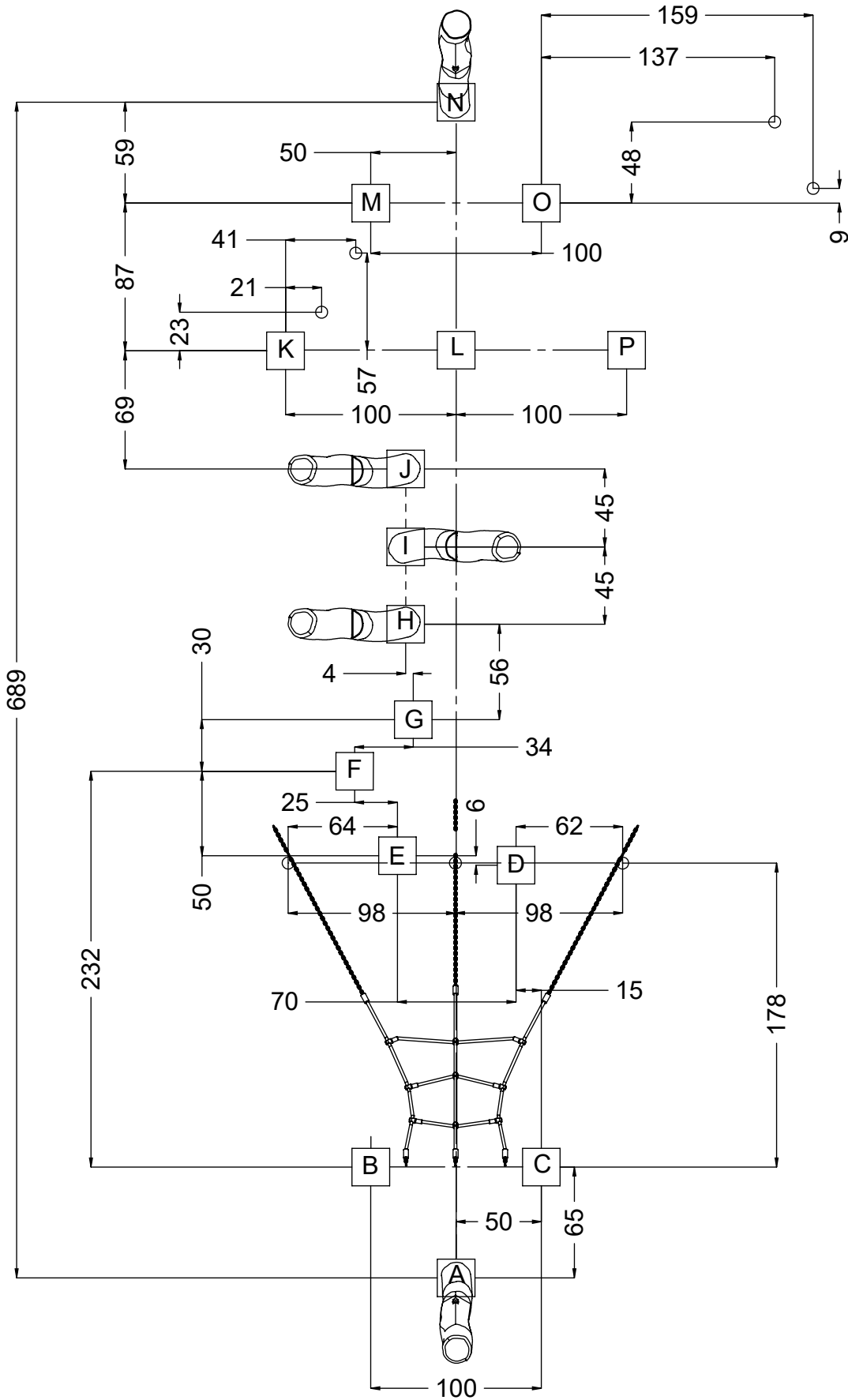
vinci
play



[cm]

x2
 10,5h
 K21 x11 >0,06m³
 K1 x7 >0,06m³
 K17 x3 >0,06m³

vinci play



[cm]



10,5h



vinci
play



127545 (A)
x1



127546 (B)
x1



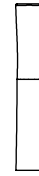
127544 (C)
x1



127543 (D)
x1



127547 (E,G)
x2



127548 (F)
x1



127549 (H,I,J)
x3



127223 (K)
x1



127555 (L)
x1



127226 (M)
x1



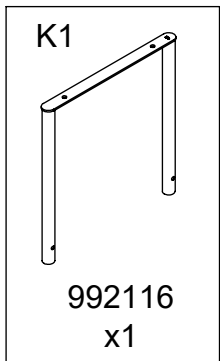
127227 (N)
x1



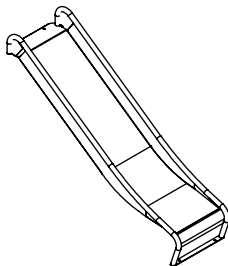
127228 (O)
x1



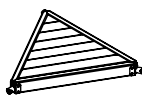
127554 (P)
x1



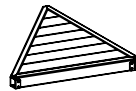
992116
x1



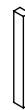
994172
x1



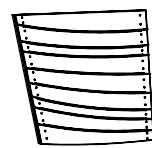
124108
x4



124137
x1



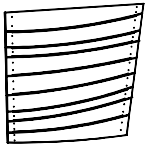
128169
x3



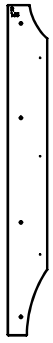
124139
x2



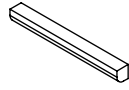
128249
128137
x2



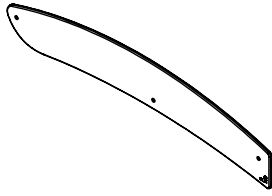
124138
x2



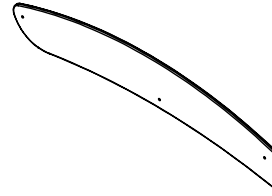
128250
128165
x2



128152
x4



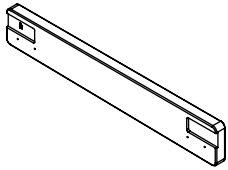
121168
x2



121169
x2



128181
x2



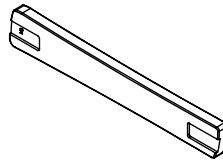
128107
x1



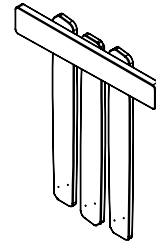
128178
x1



128103
x1



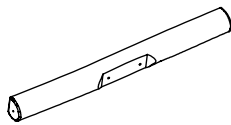
128168
x2



124104
x1



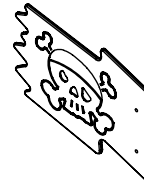
991106
x2



127556
x2



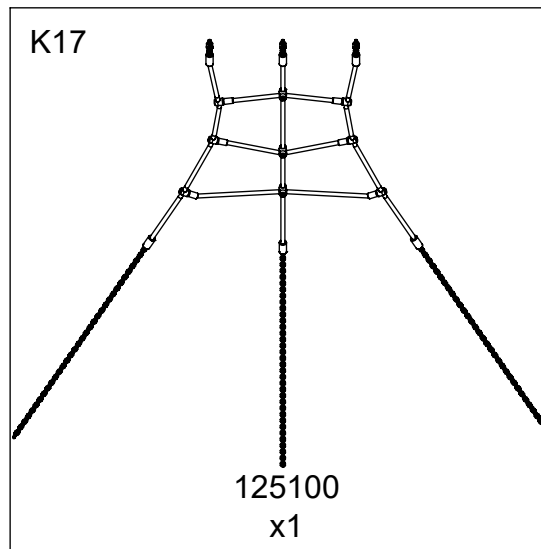
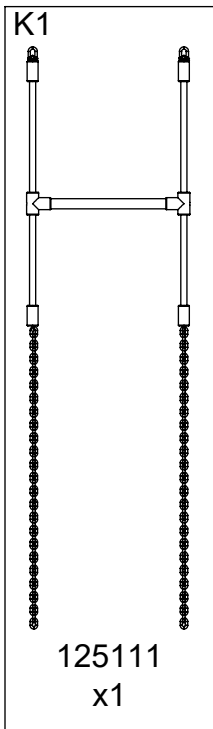
121108
x2



121111
x2



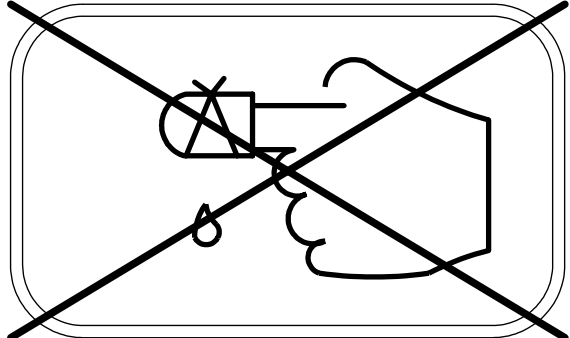
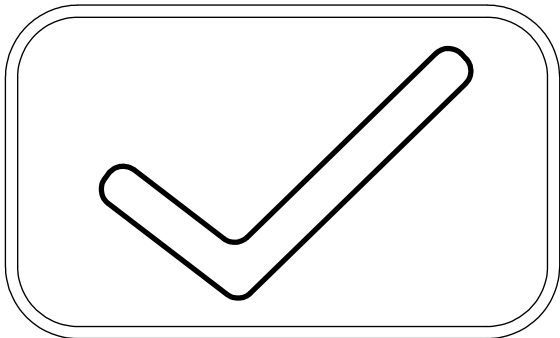
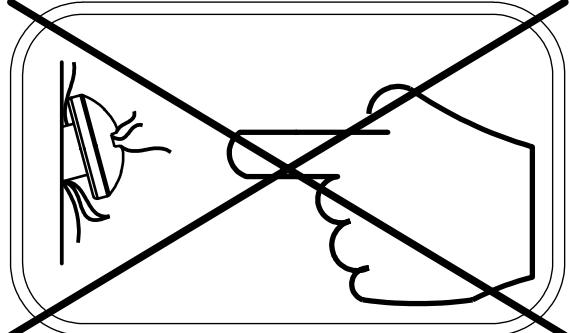
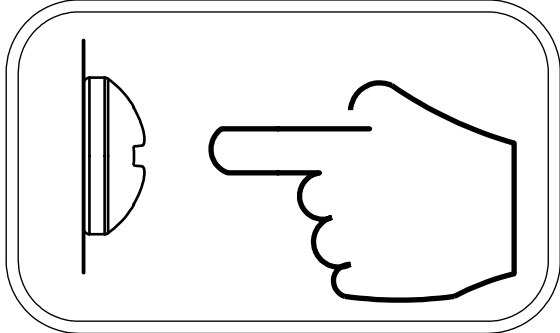
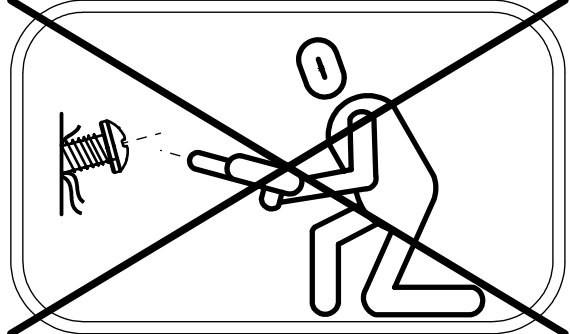
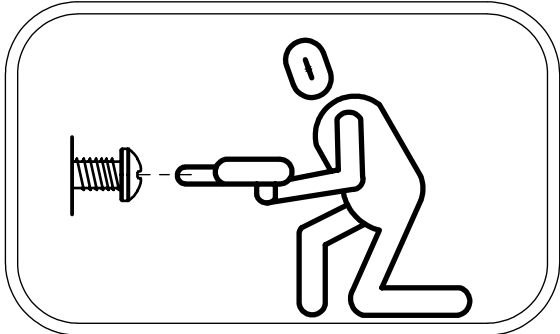
121103
x2

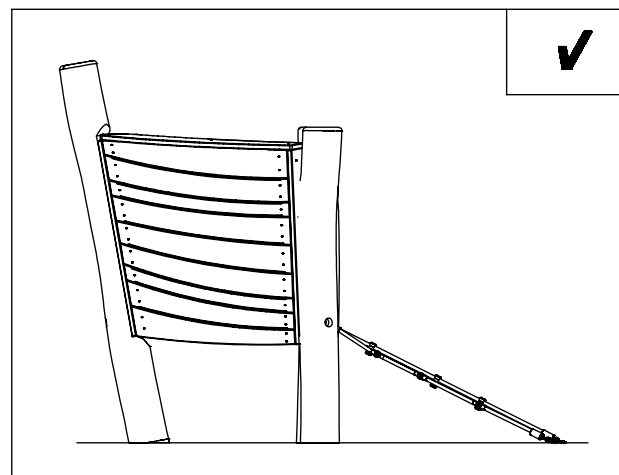
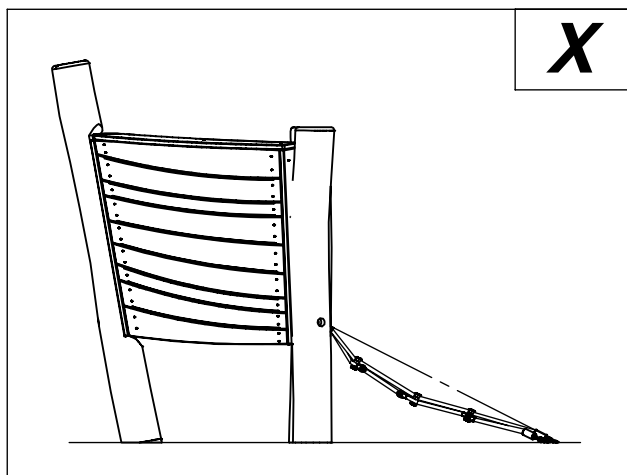
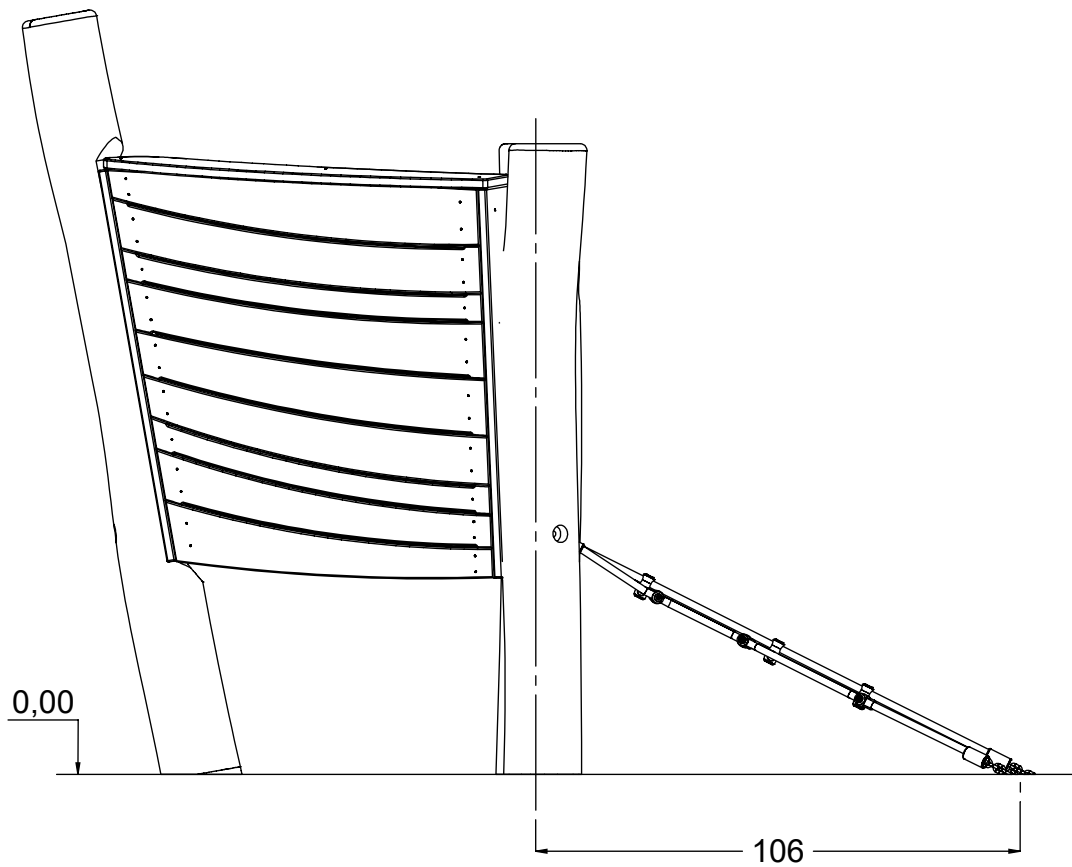


124116
x1

| | |
|-----|----------|
| 24x | 5x30sxs |
| 64x | 5x50sxs |
| 29x | 5x80sxs |
| 42x | 8x50sxi |
| 12x | 8x80sxt |
| 6x | 8x160sxt |

| | |
|----|--------|
| 4x | 12e003 |
| 1x | 12e007 |
| 2x | 12e009 |
| 2x | 12e010 |
| 1x | 12e011 |
| 2x | 12e012 |
| 1x | 12e015 |
| 1x | 12e019 |
| 1x | 12e030 |
| 5x | 12e052 |
| 4x | b399 |
| 2x | b405 |
| 2x | b439 |
| 1x | GL |
| 1x | V001 |

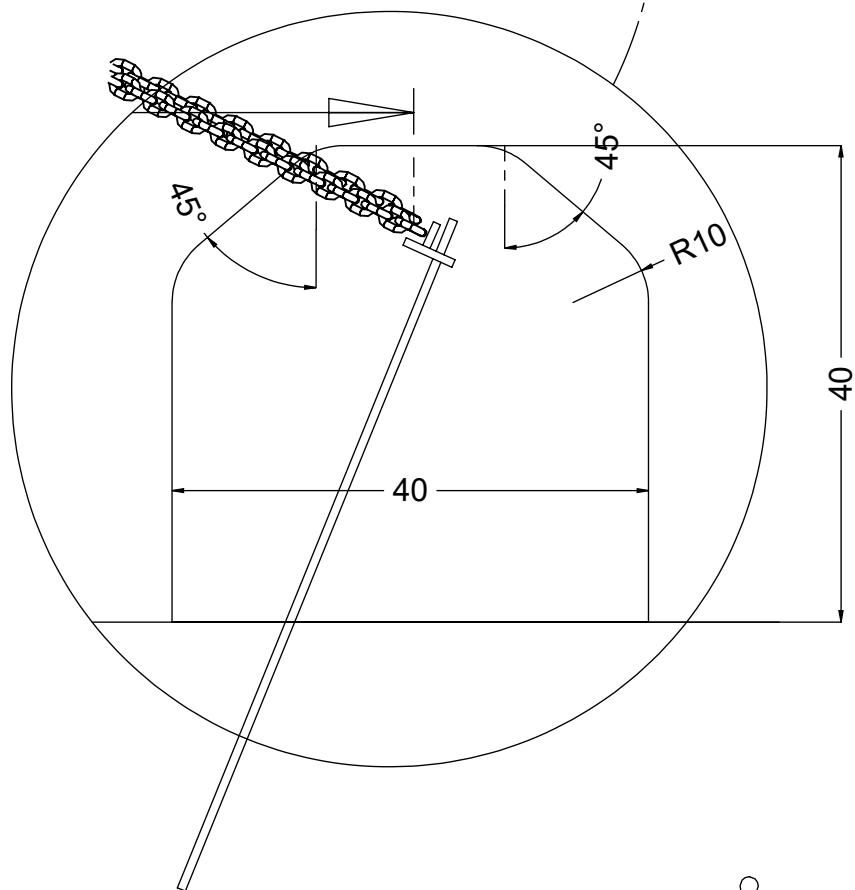
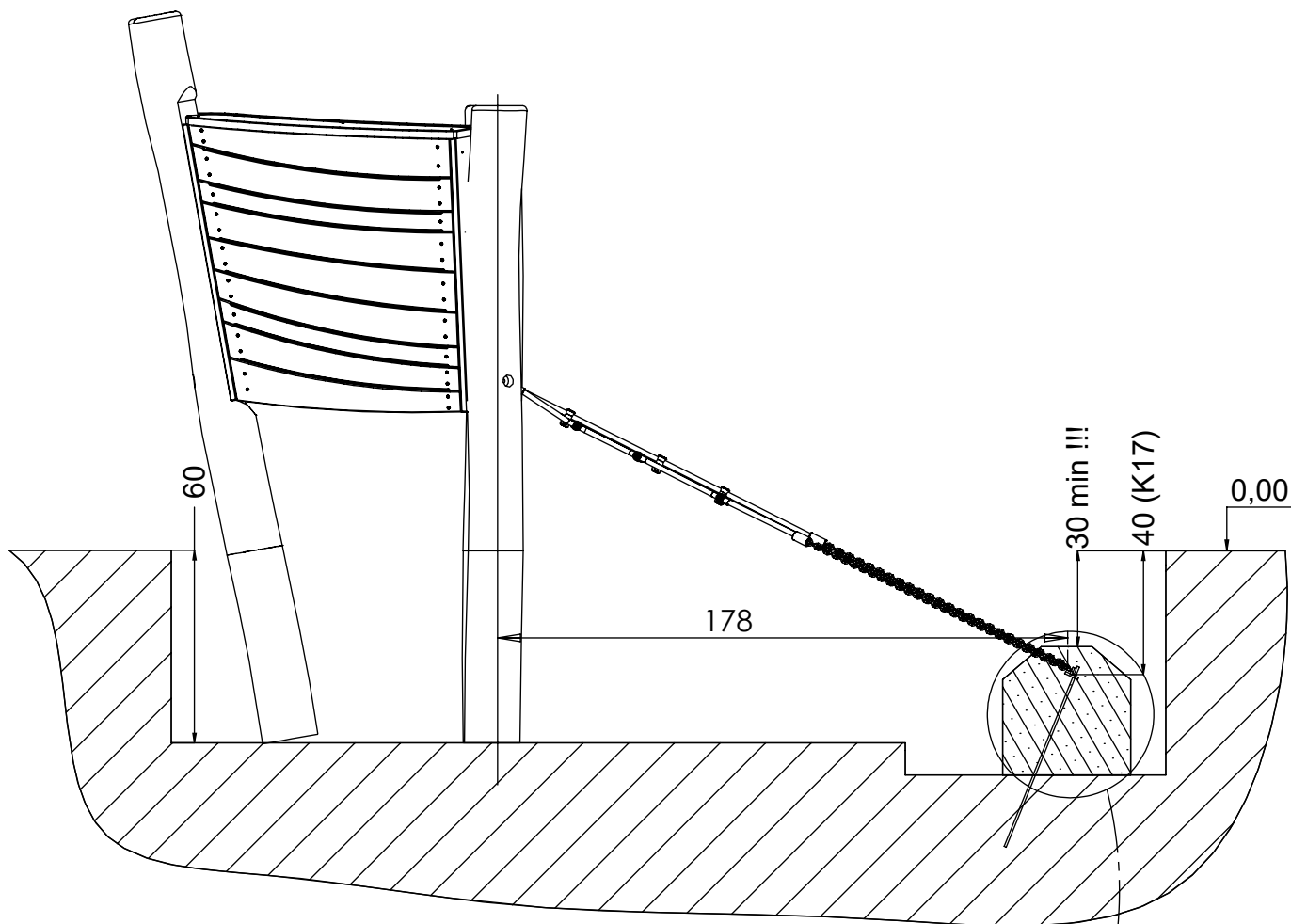




[cm]

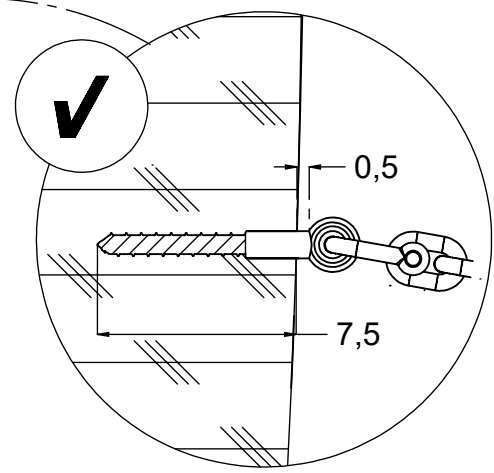
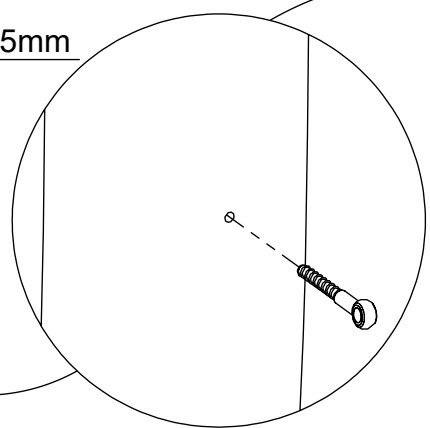
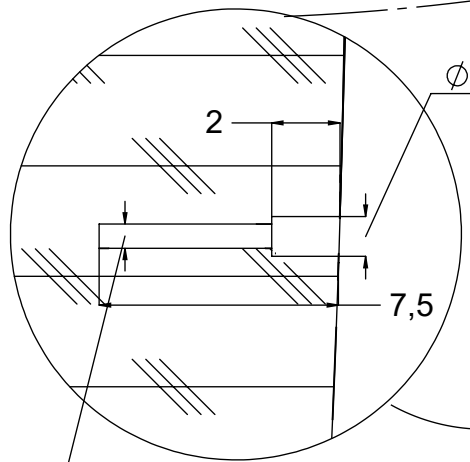
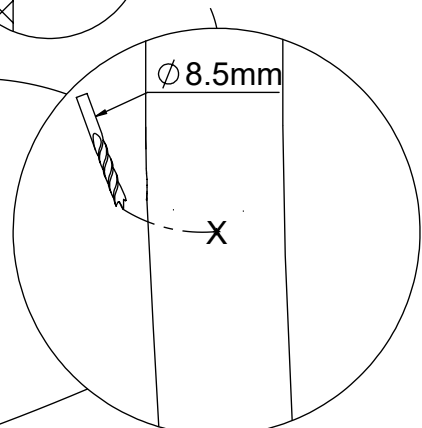
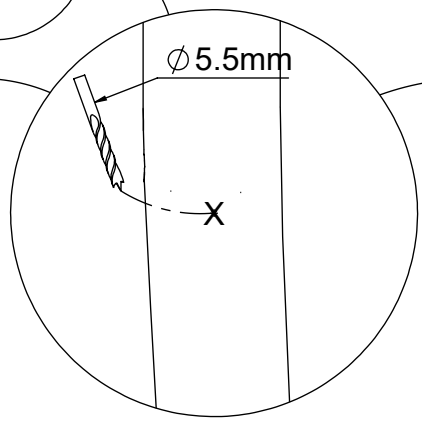
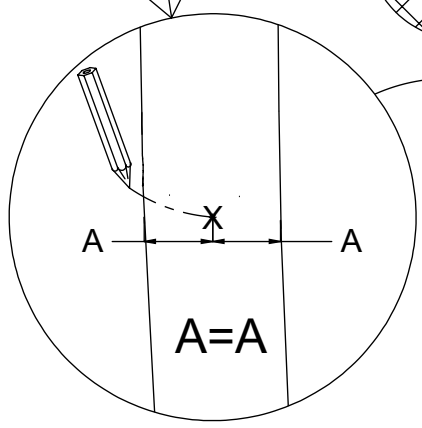
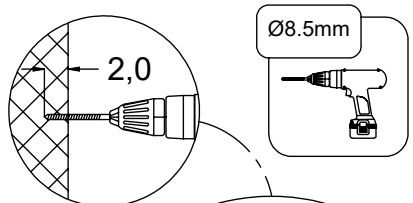
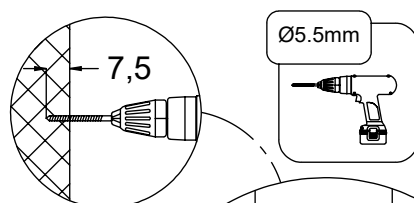
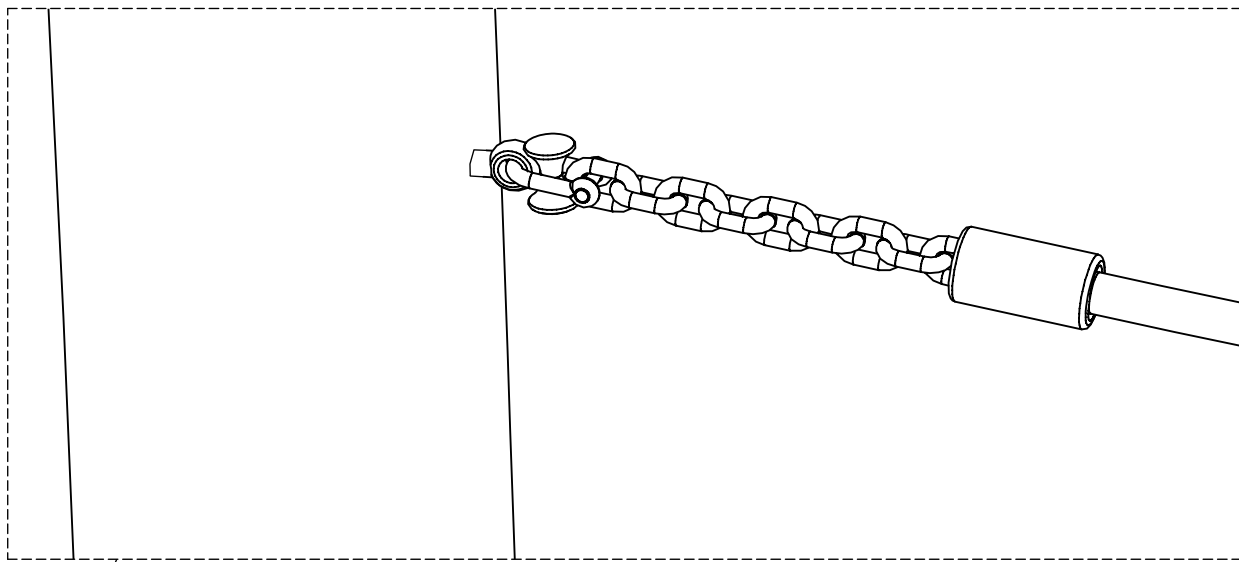


vinci
play



[cm]

vinci
play

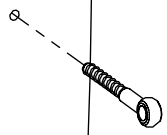


Ø 5.5 mm

Ø 8.5 mm

2

7,5

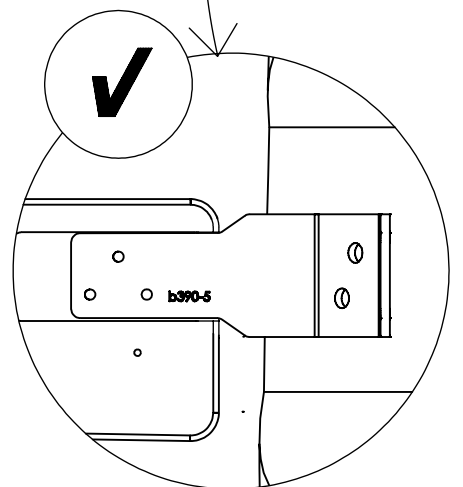
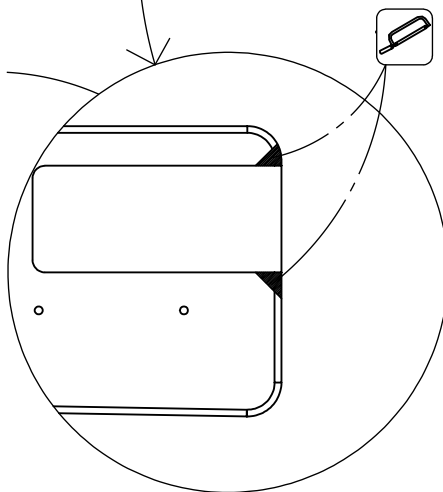
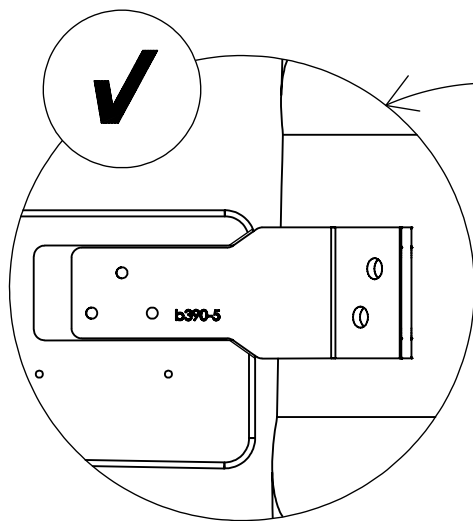
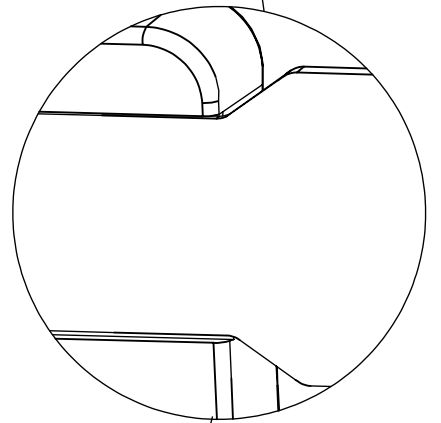
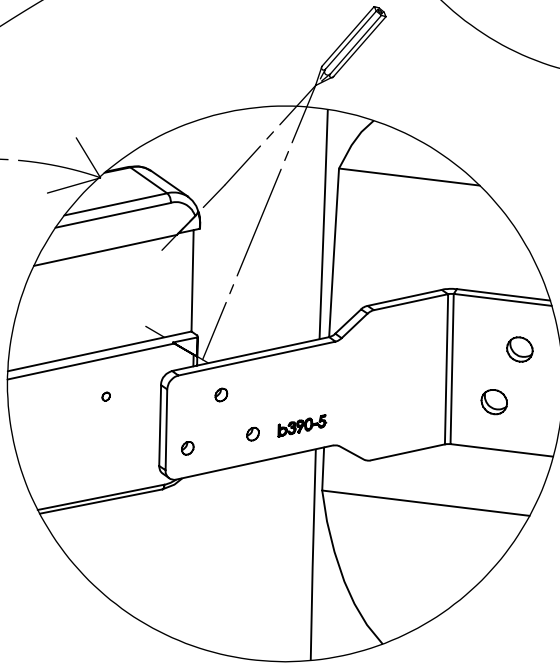
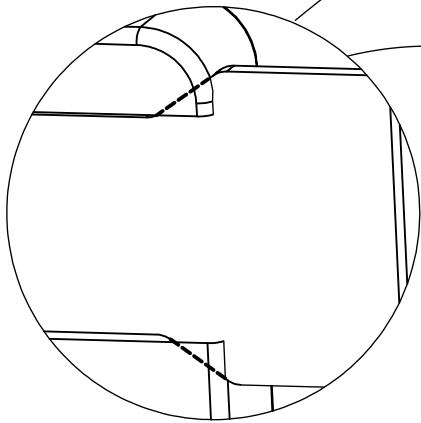
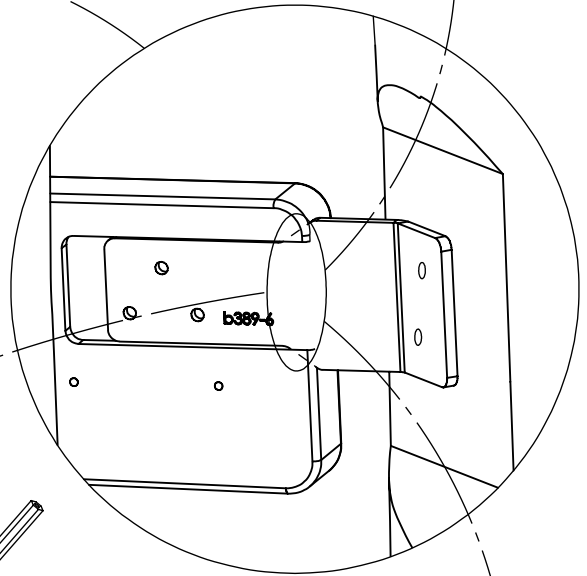
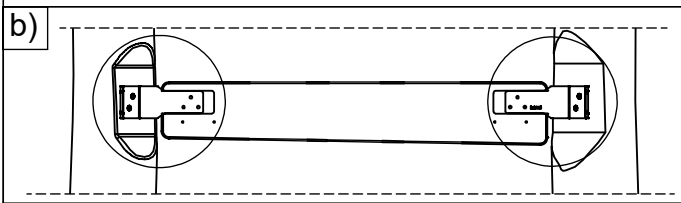
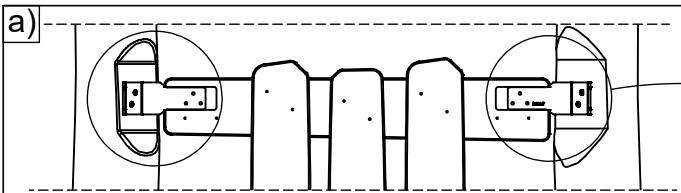


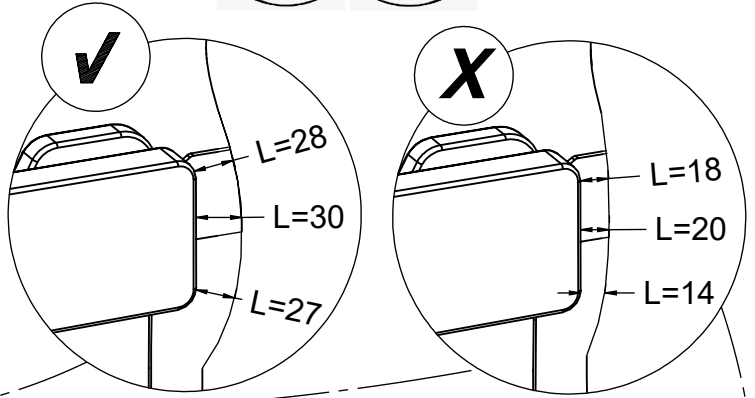
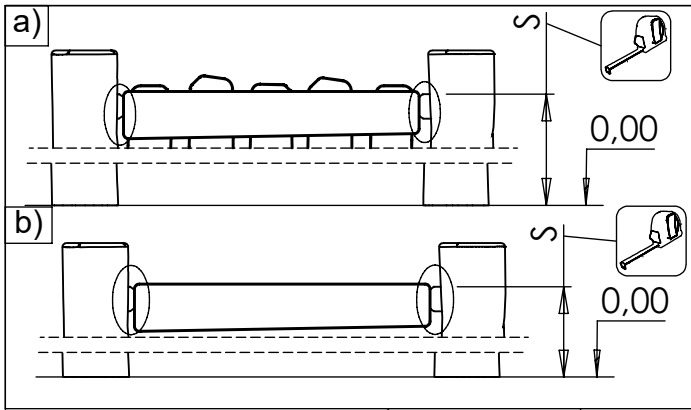
0,5

7,5

[cm]

vinci play

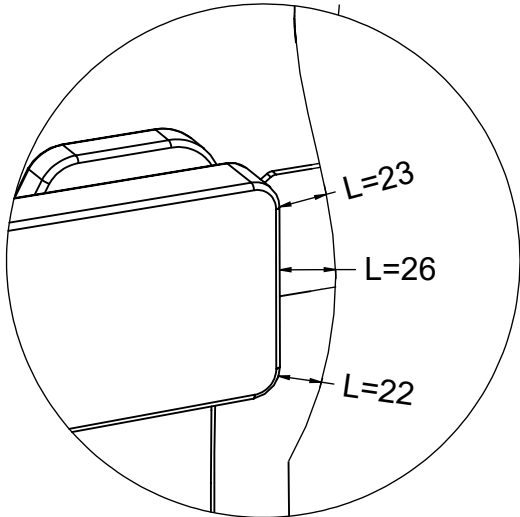




S<97

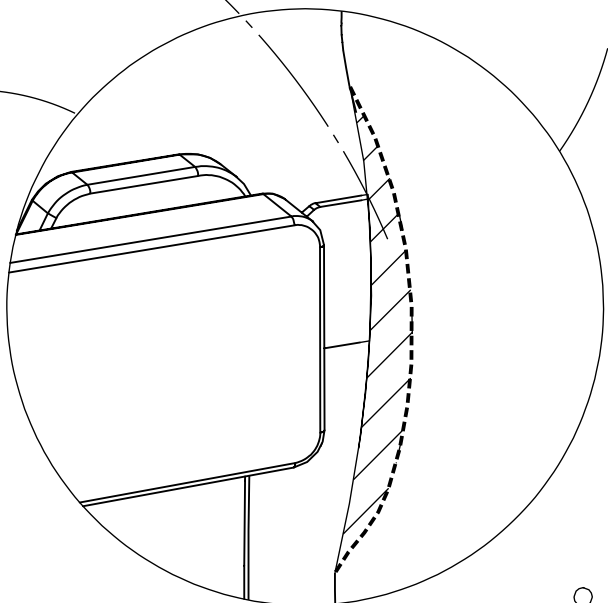
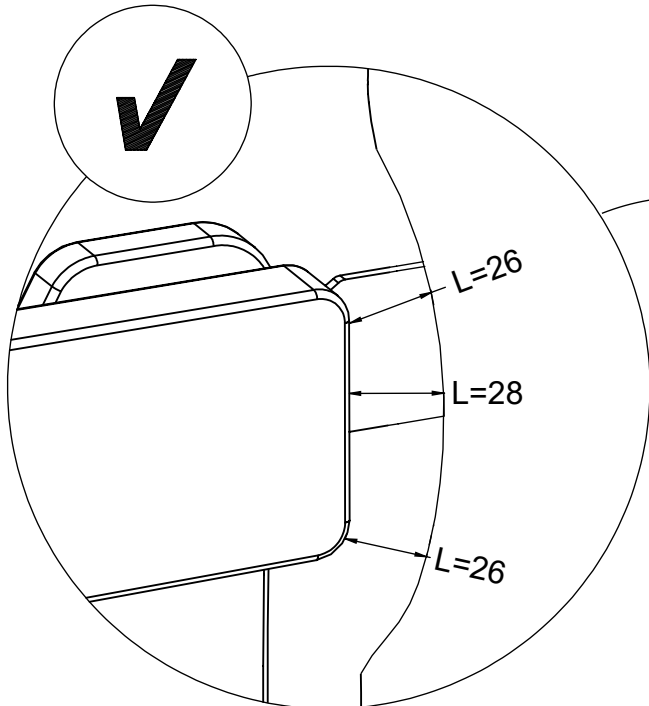
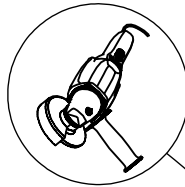
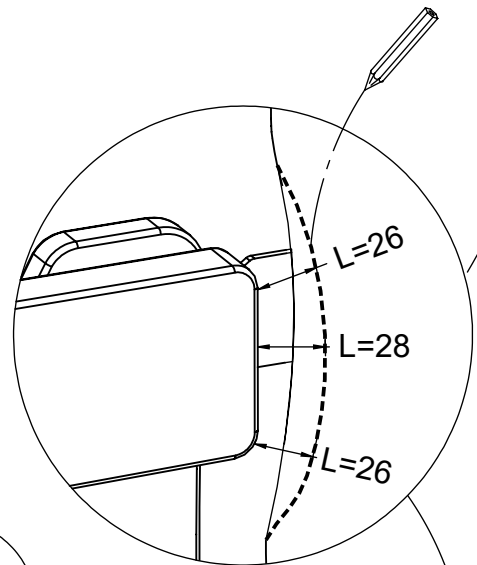
S>97

L>25mm **✓** L≤25mm **X**



L>25mm **✓**

L≤25mm **✓**

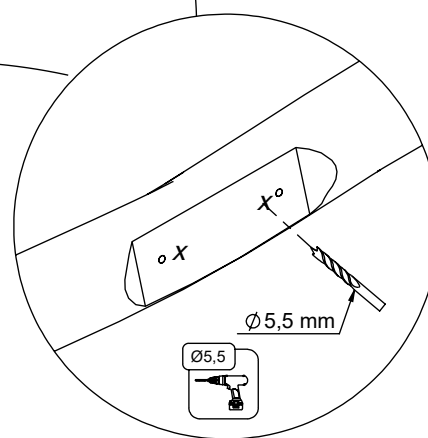
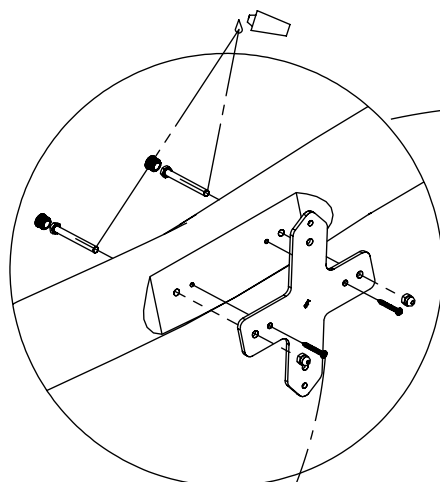
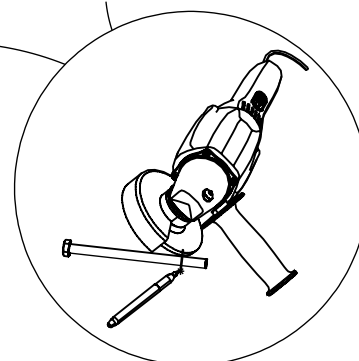
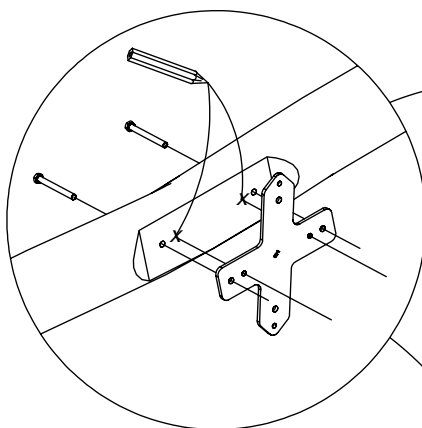
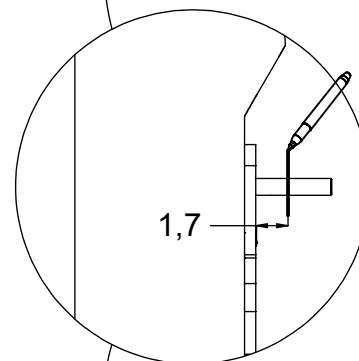
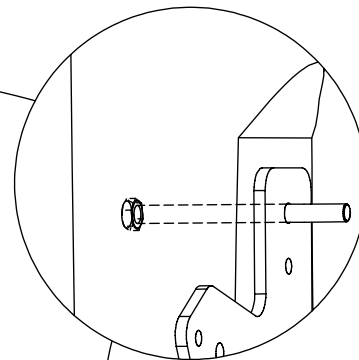
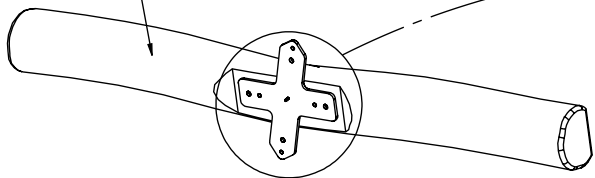


L>25mm **✓** 

[cm]

vinci
play

2x 127556



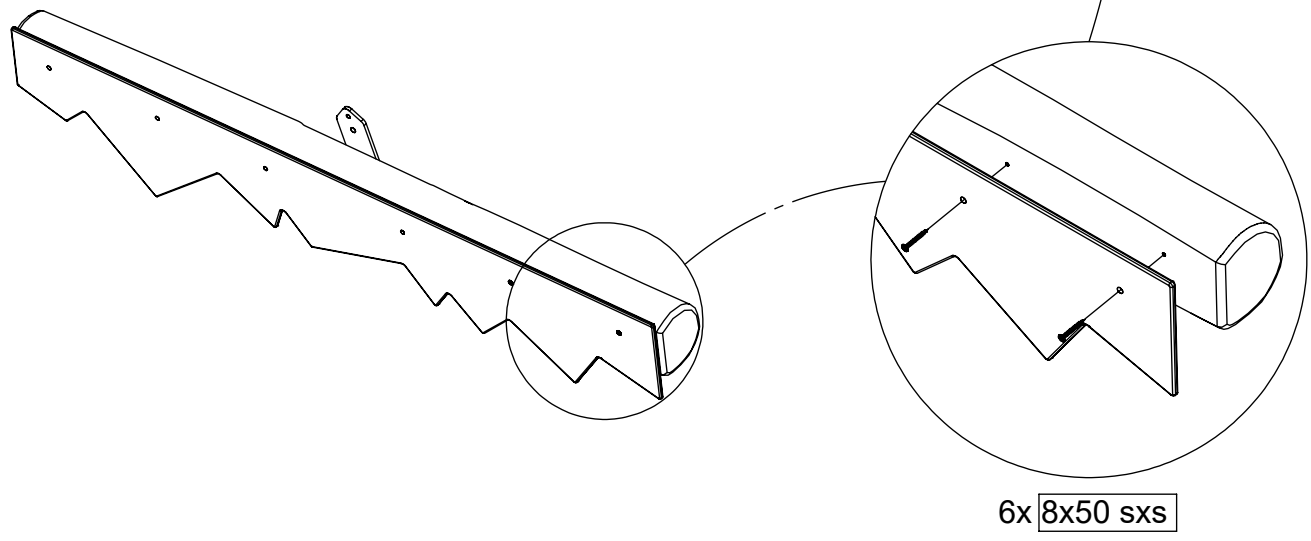
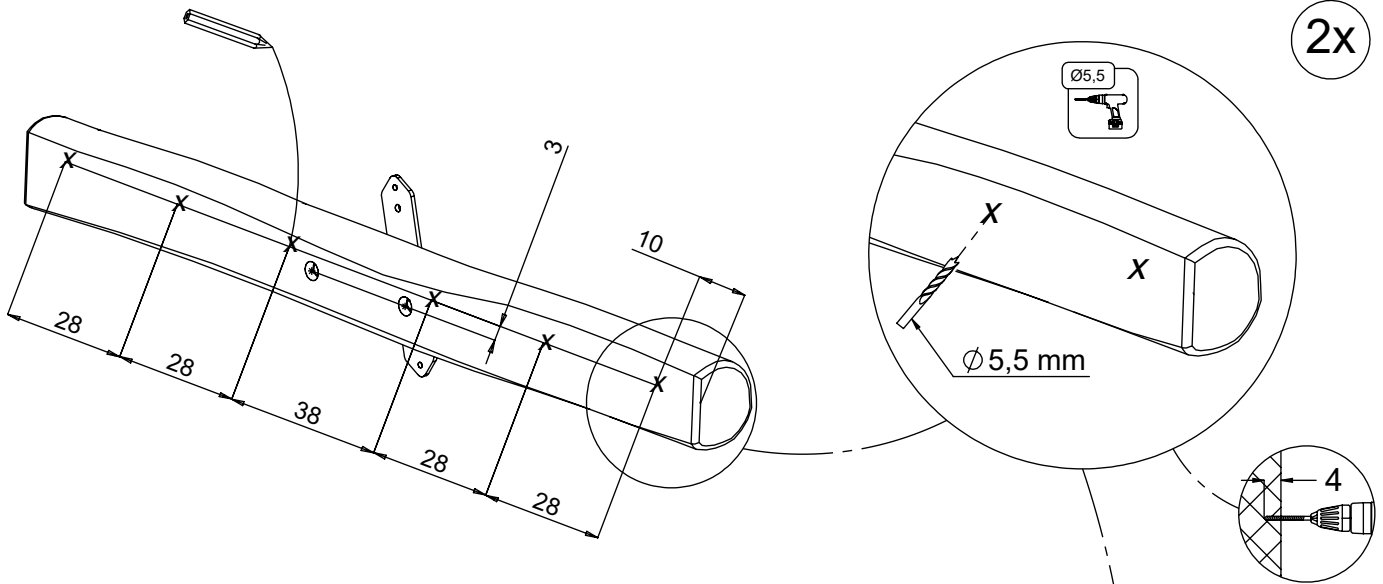
2x 8x50 sxi

12e009

[cm]

vinci
play

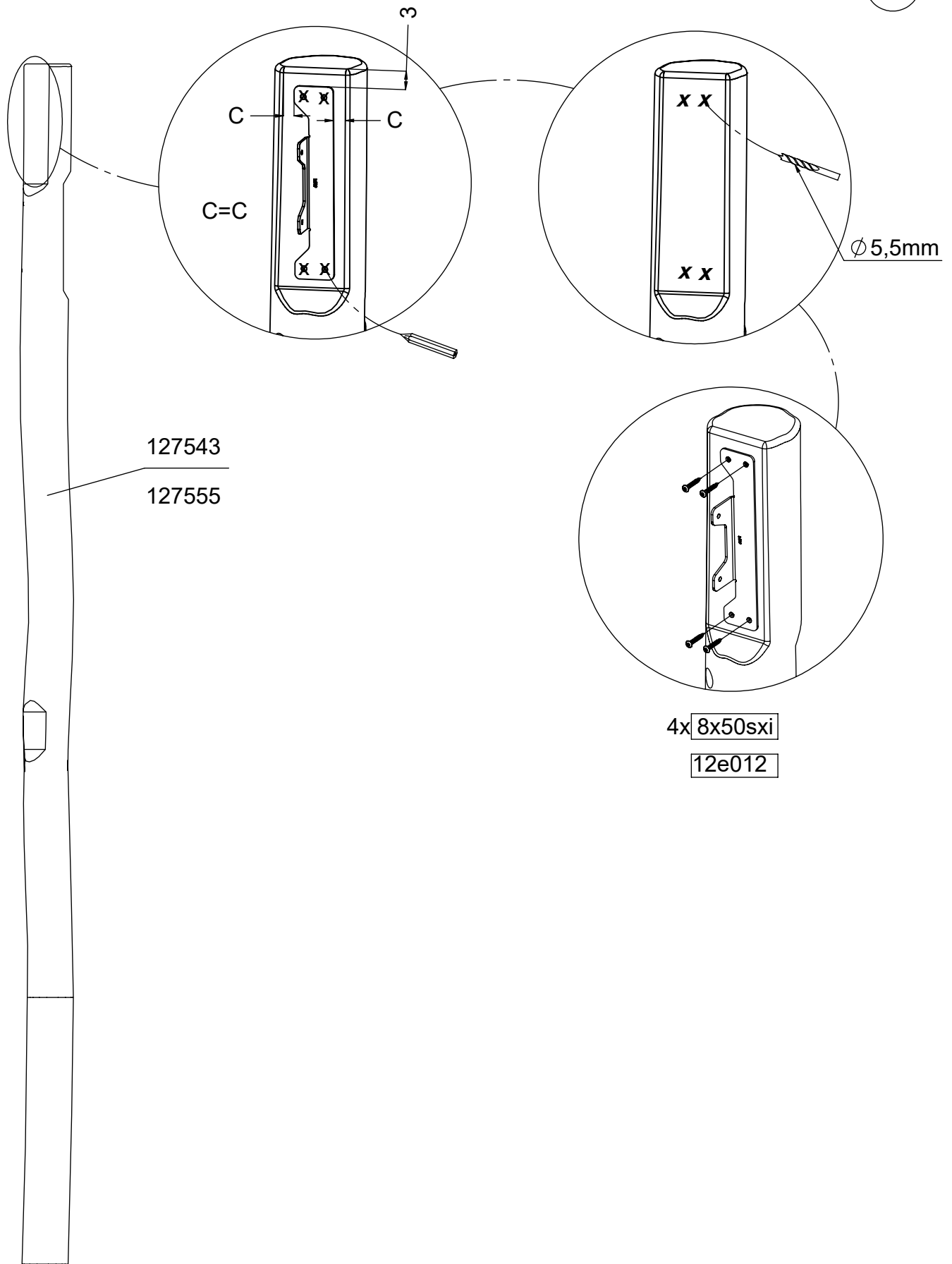
2x



[cm]

vinci
play

2x



127543

127555

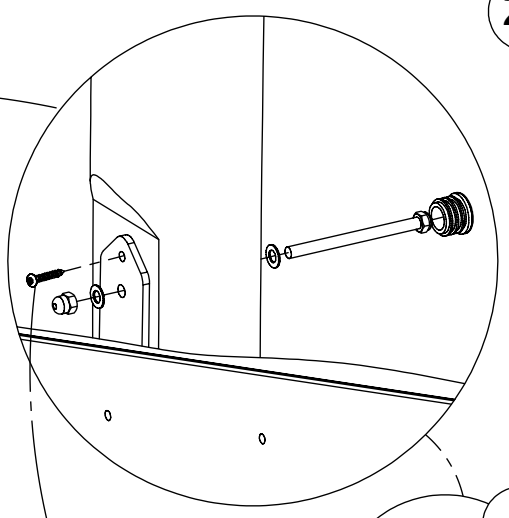
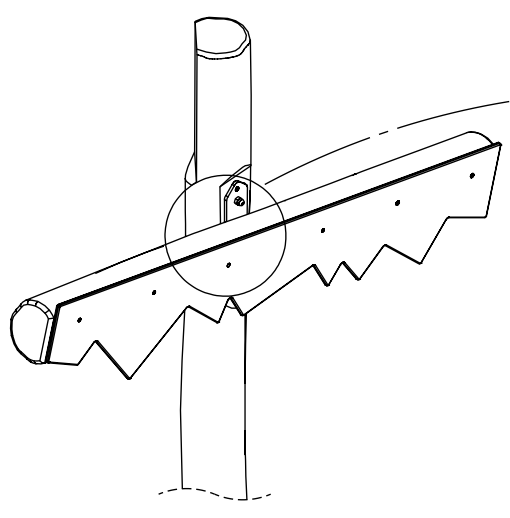
4x 8x50sxi

12e012

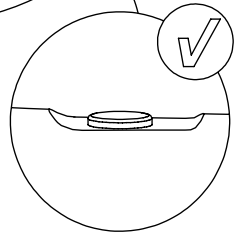
[cm]

vinci
play

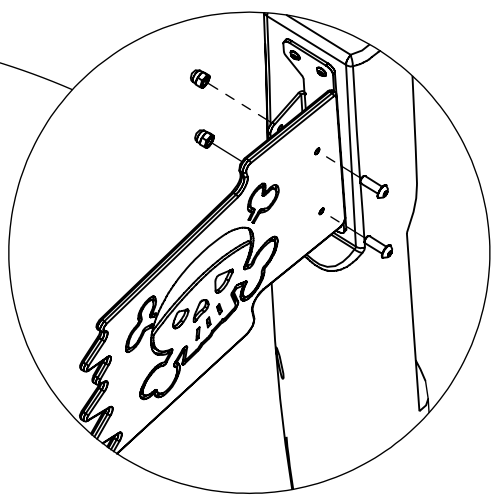
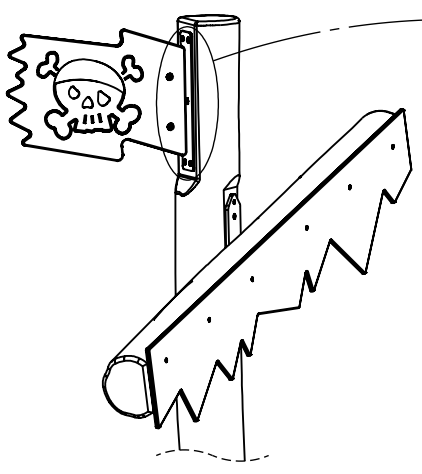
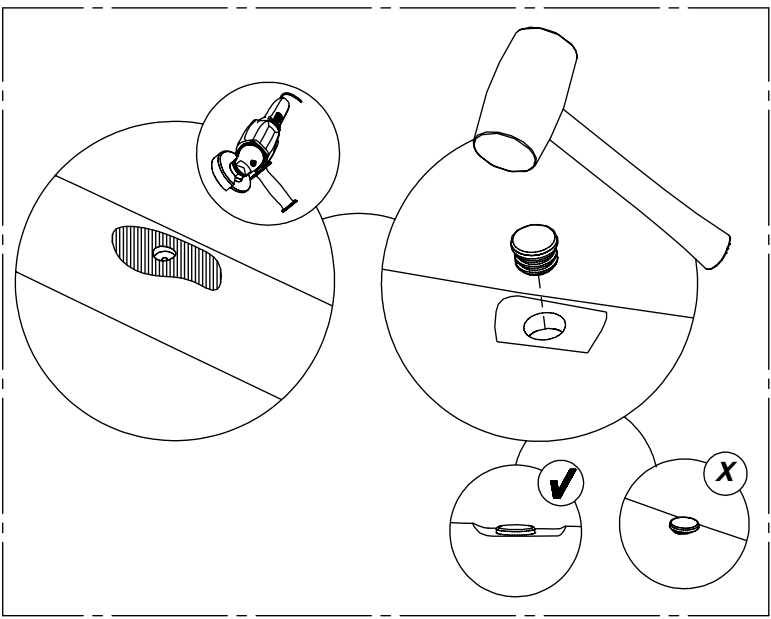
2x



2x 8x50sxi



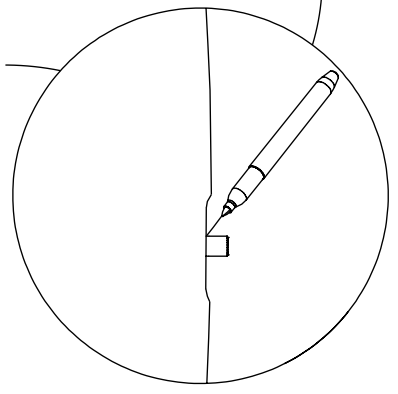
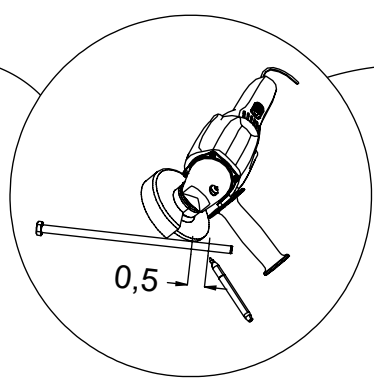
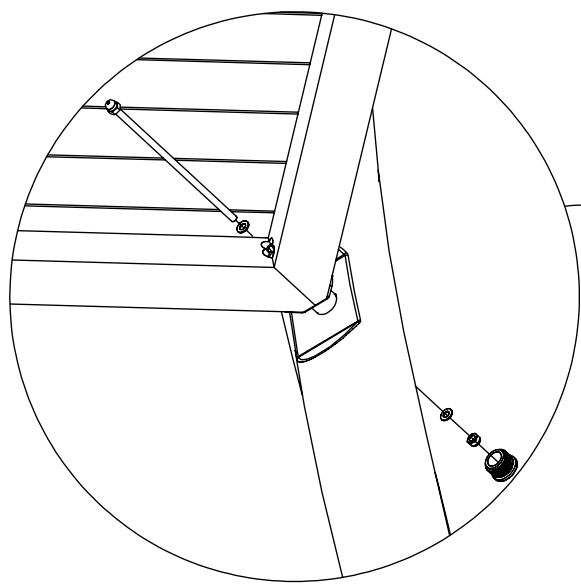
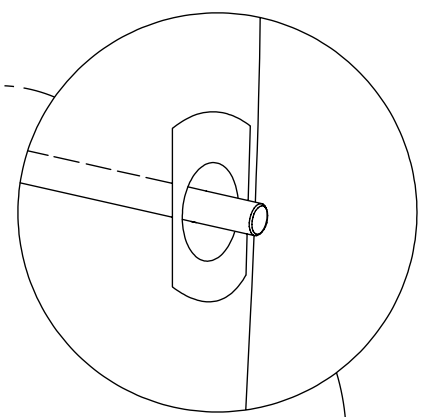
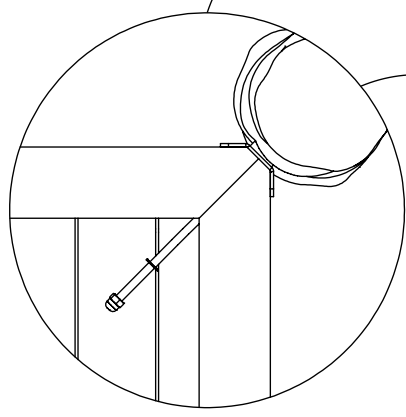
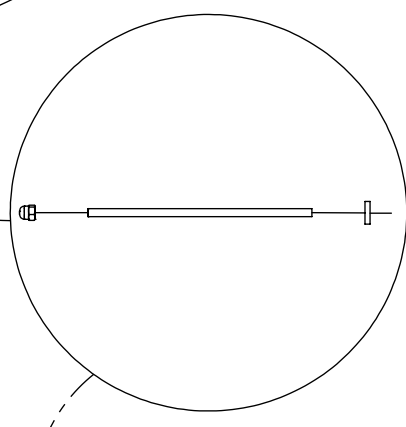
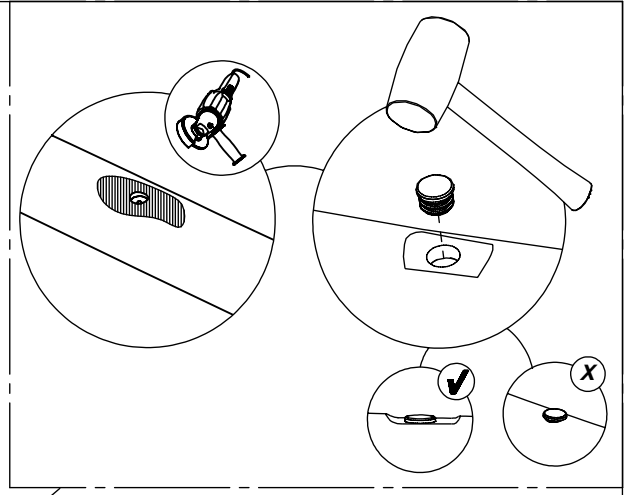
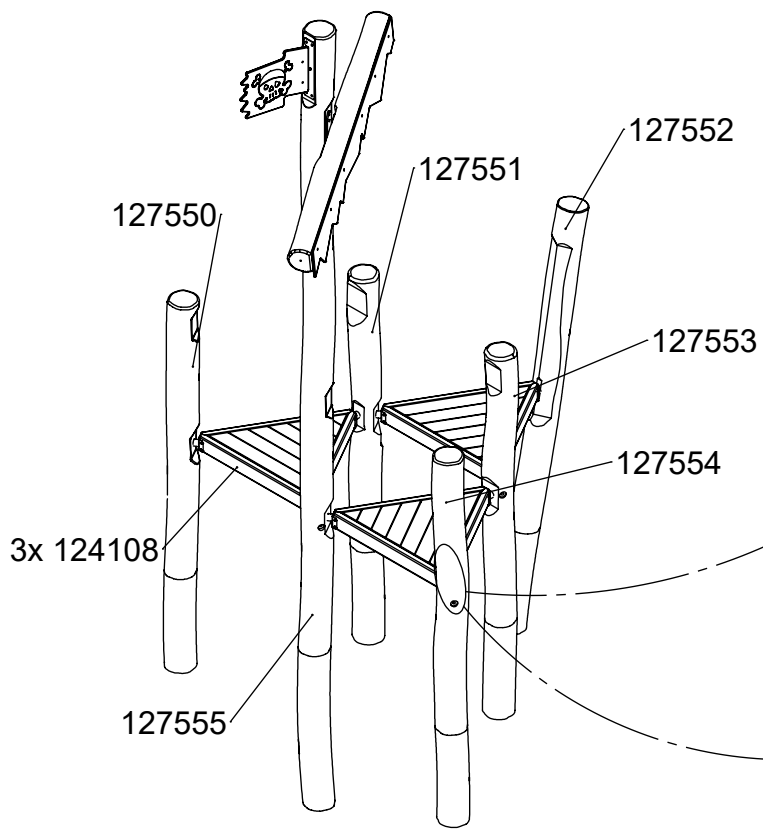
1x 12e009



1x 12e012

[cm]

vinci play

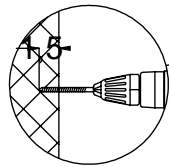
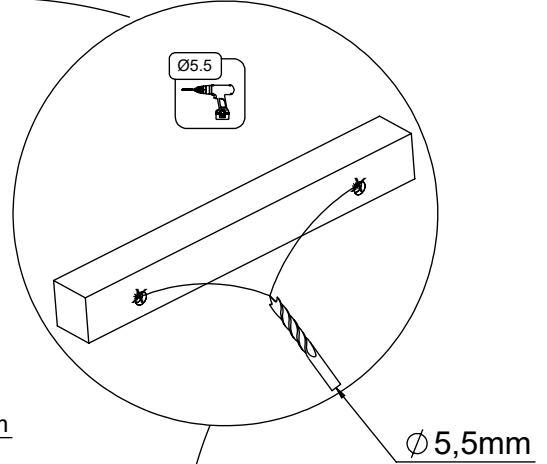
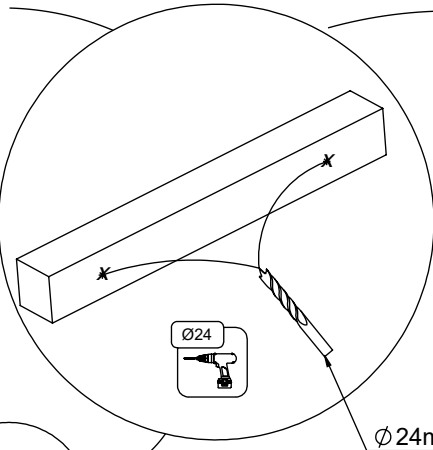
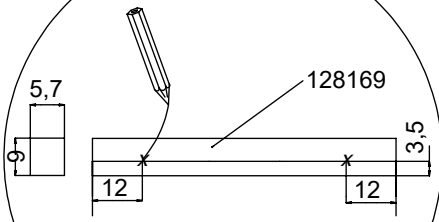
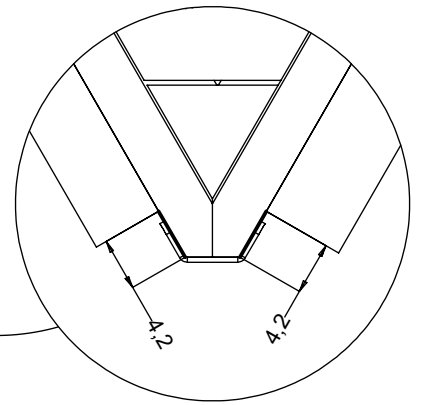
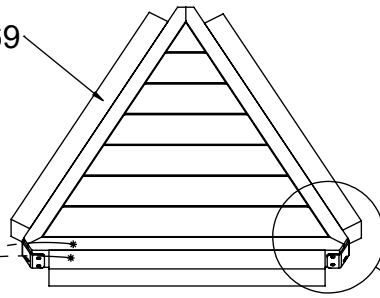
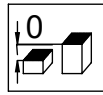


3x 12e003

[cm]

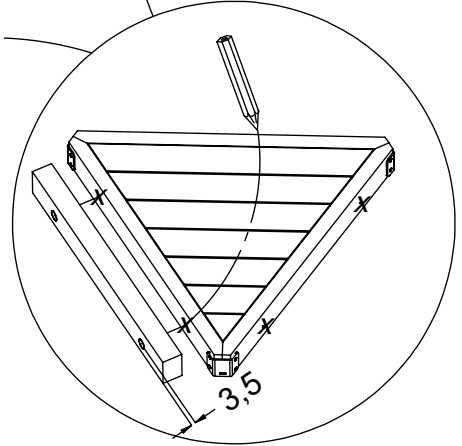
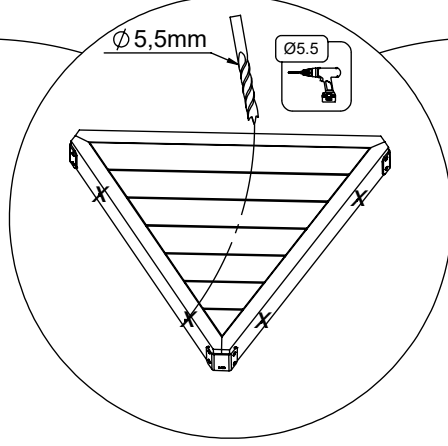
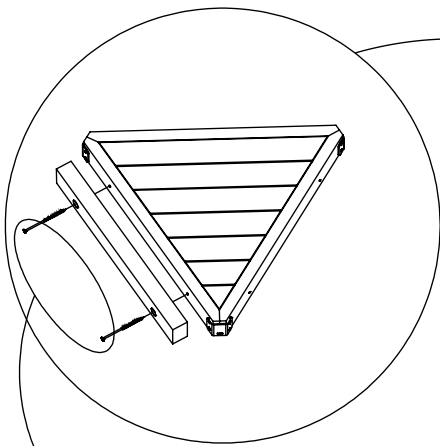
vinci
play

3x 128169



Ø24mm

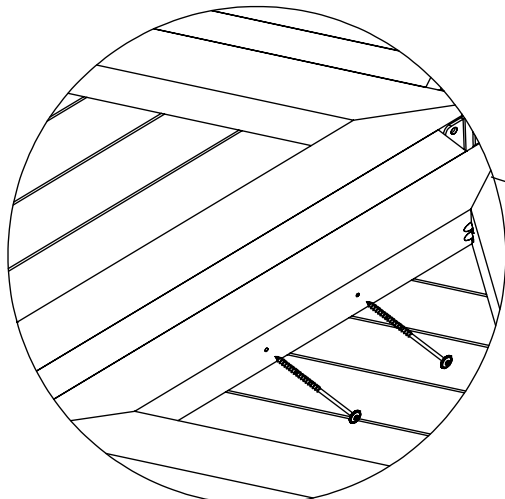
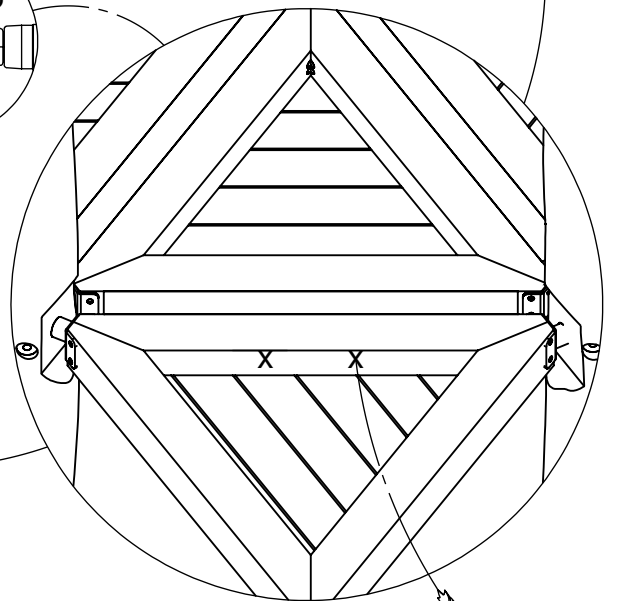
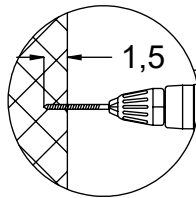
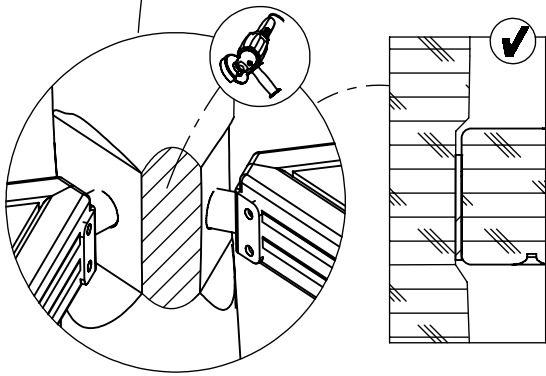
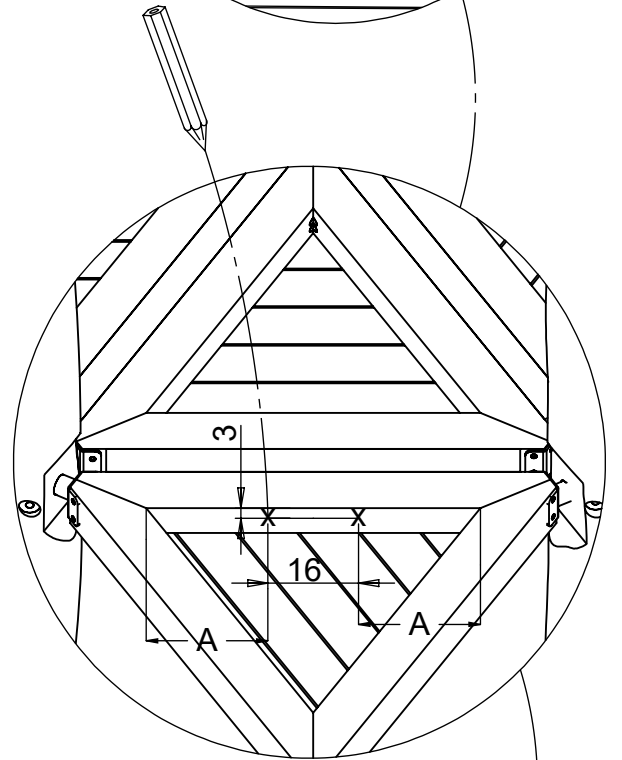
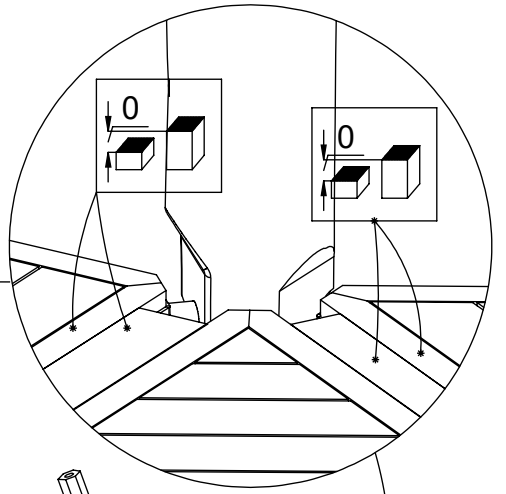
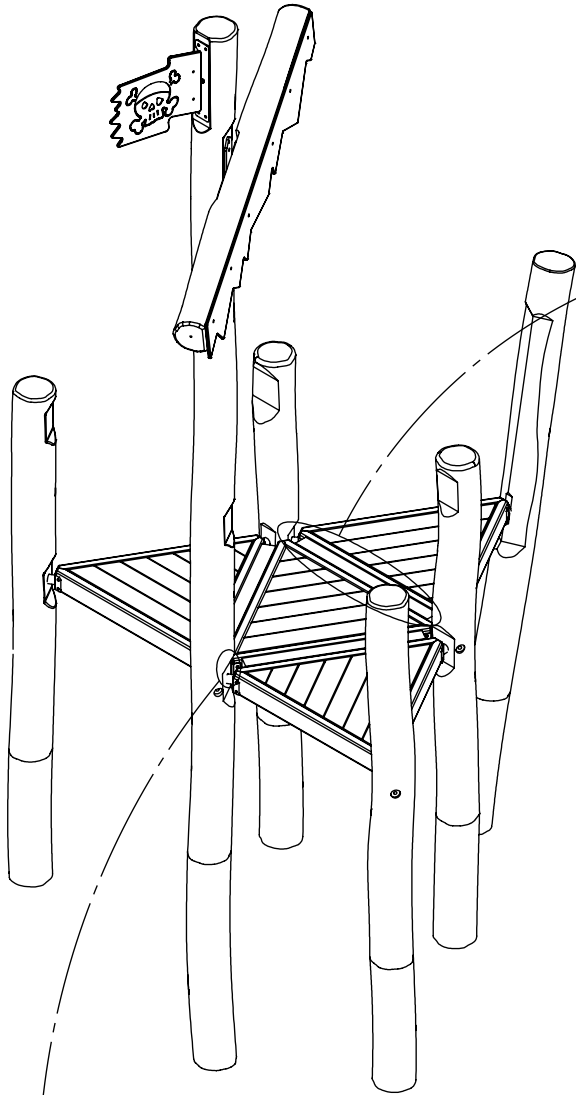
Ø5,5mm



6x 8x80sxt

[cm]

vinci play

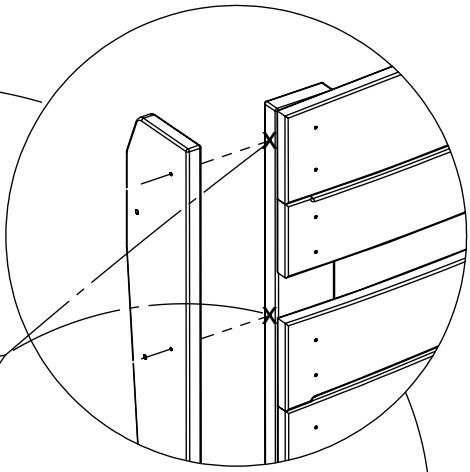
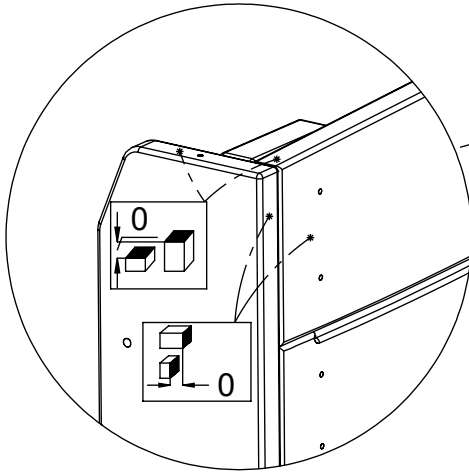


[cm]

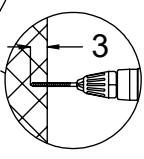
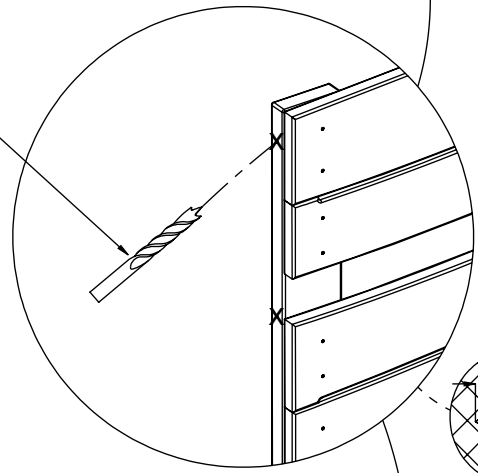
6x 8x160sxt

vinci
play

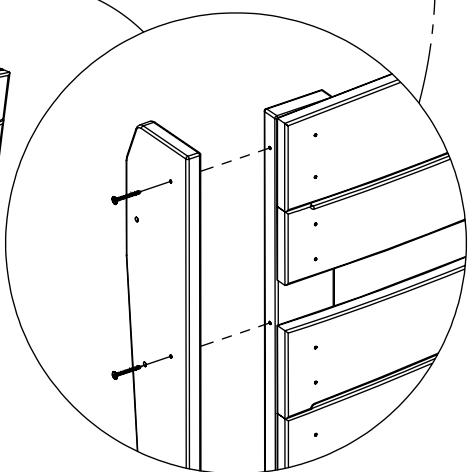
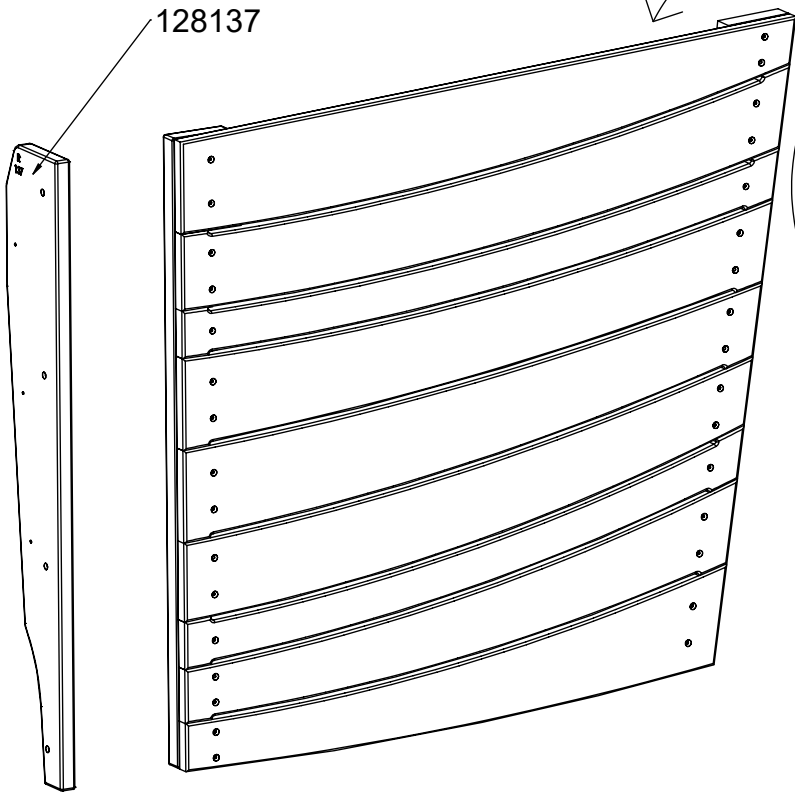
4x



Ø 3.5 mm



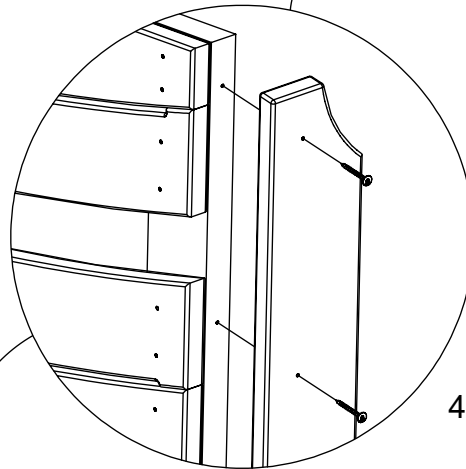
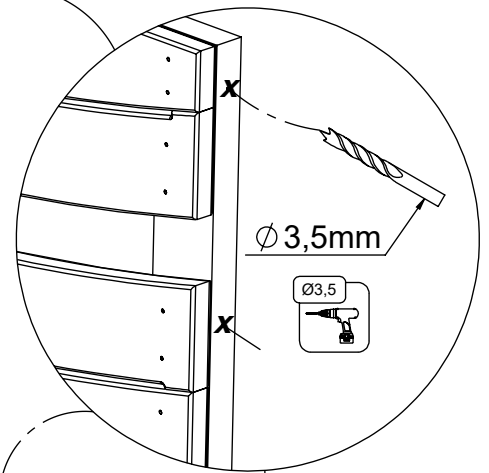
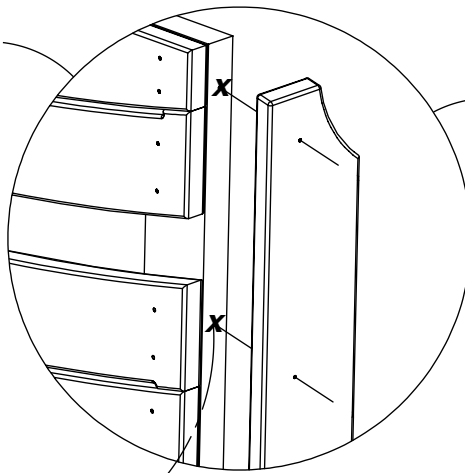
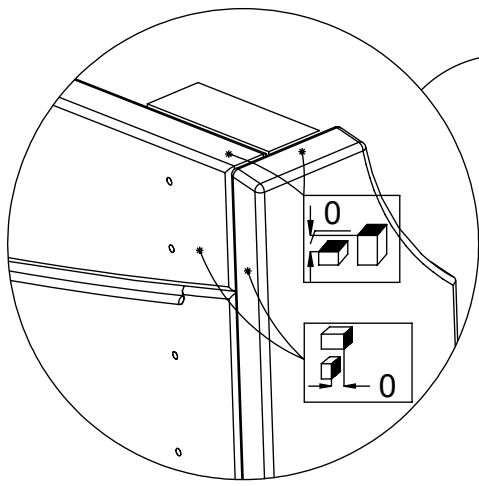
128249
128137



4x 5x50 sxs

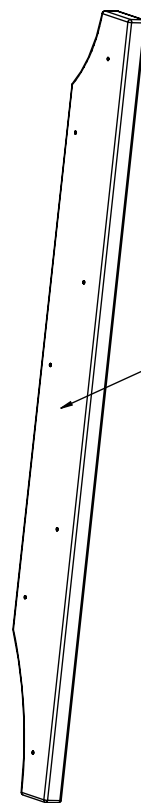
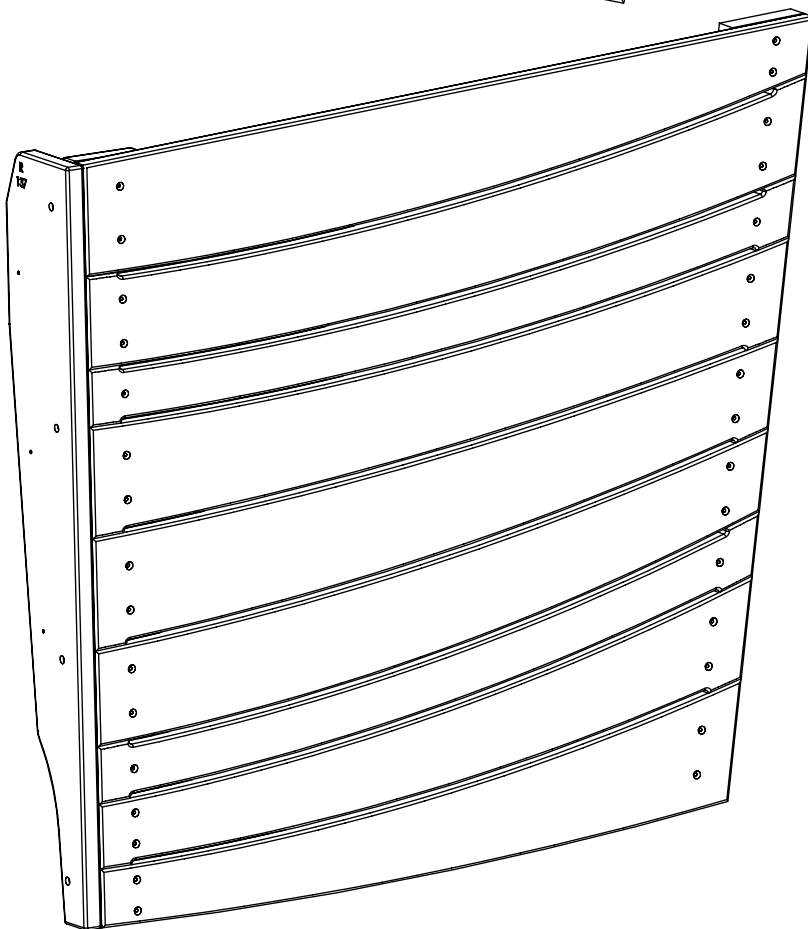
[cm]

vinci
play



4x

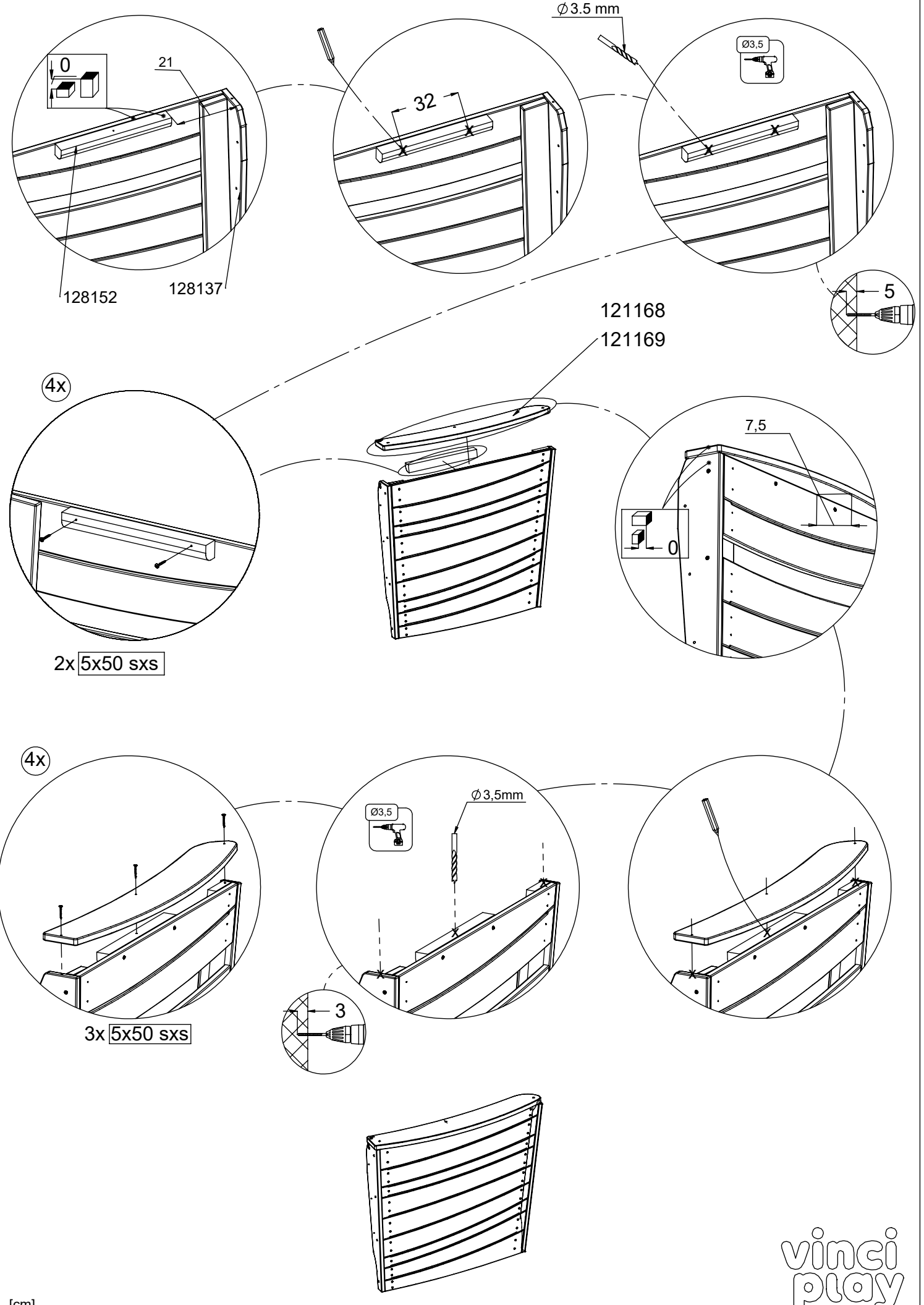
4x 5x50 sxs



128250
128165

[cm]

vinci
play



128152 128137

Ø 3.5 mm

Ø 3.5

21

32

5

121168
121169

4x

7,5

2x 5x50 sxs

4x

Ø 3,5mm

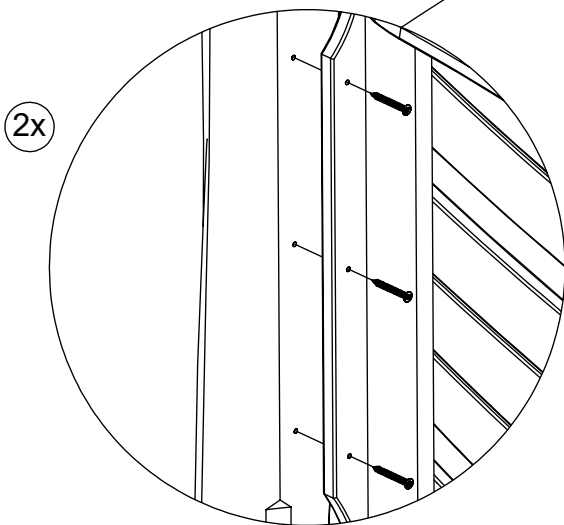
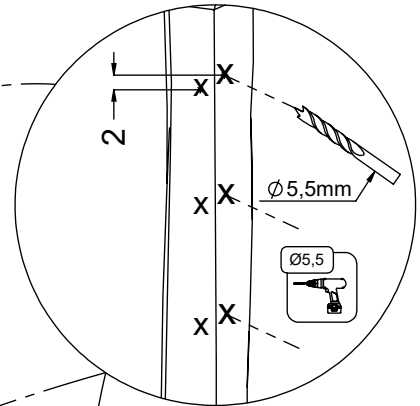
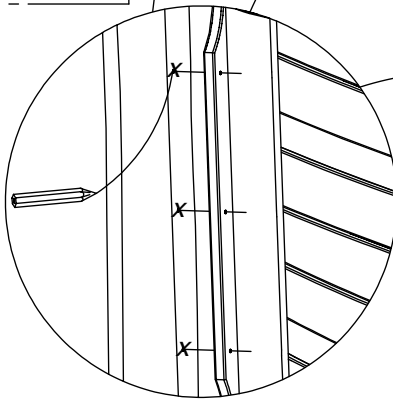
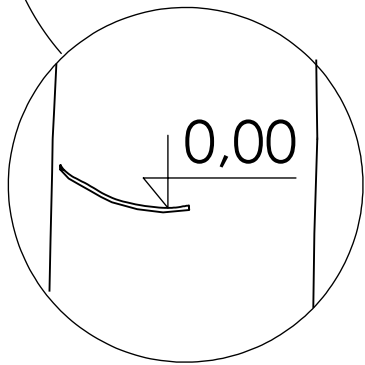
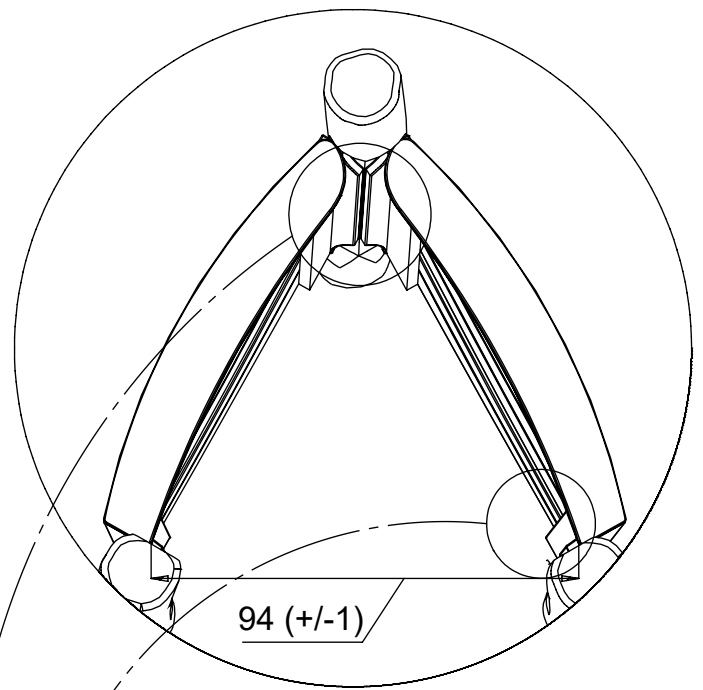
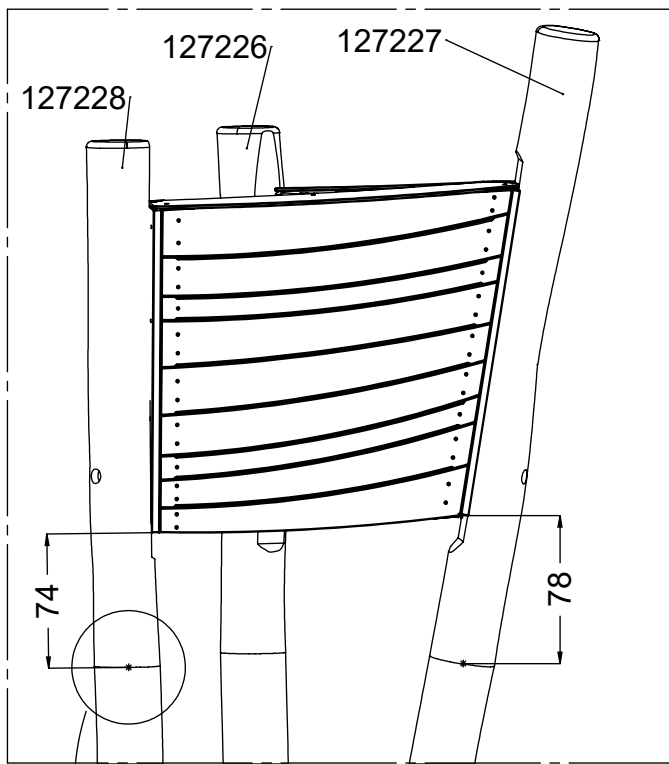
Ø 3,5

3x 5x50 sxs

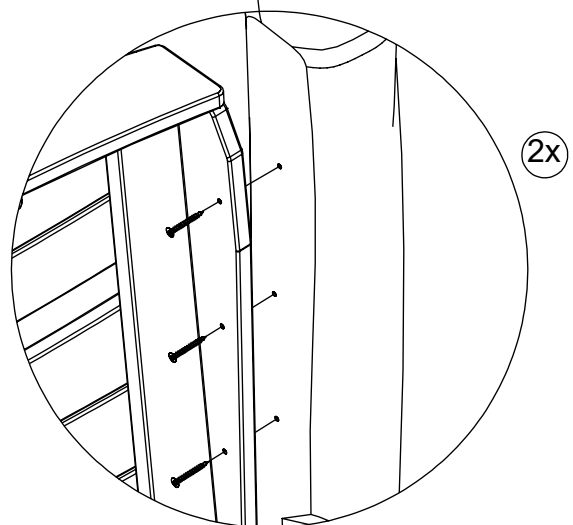
3

[cm]

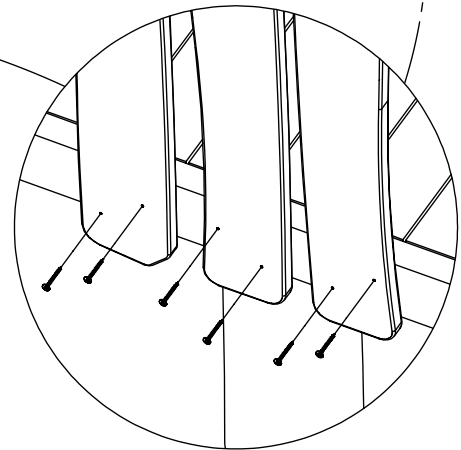
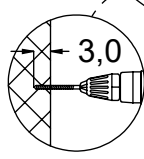
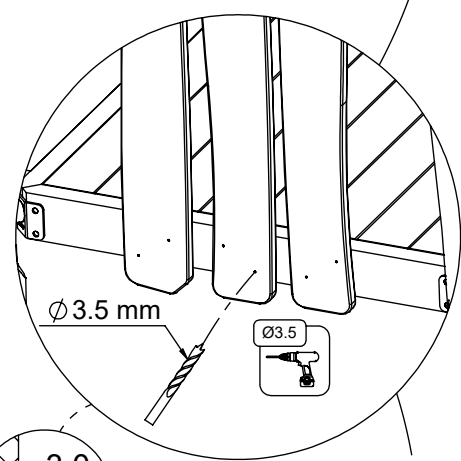
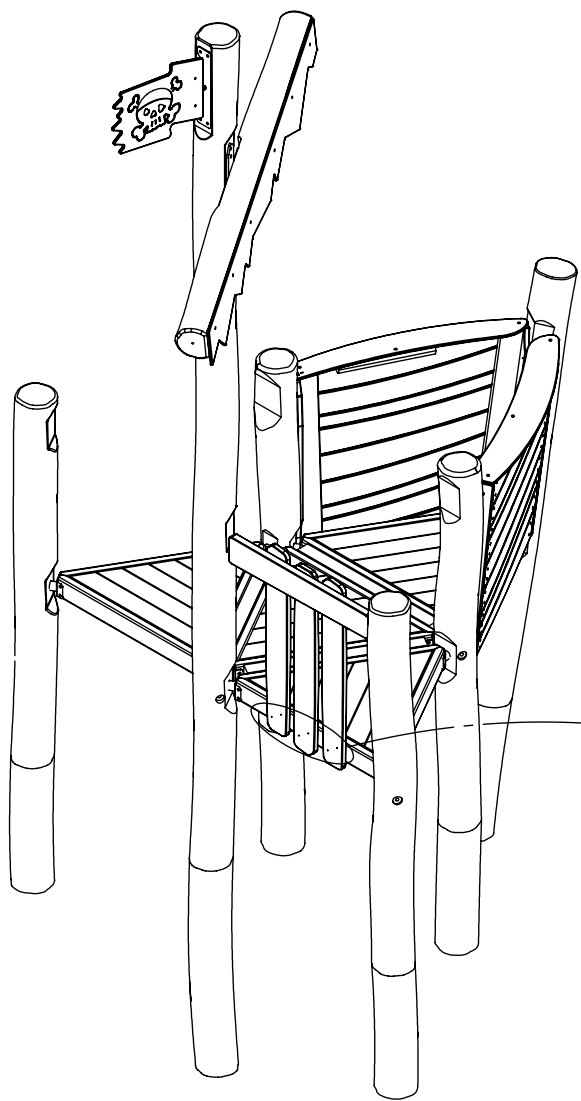
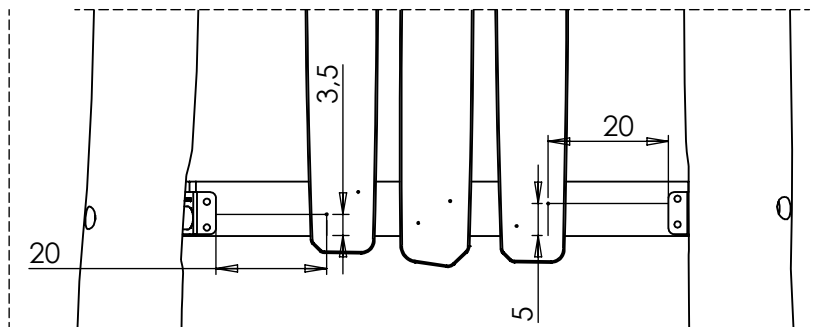
vinci
play



3x 5x80 sxs



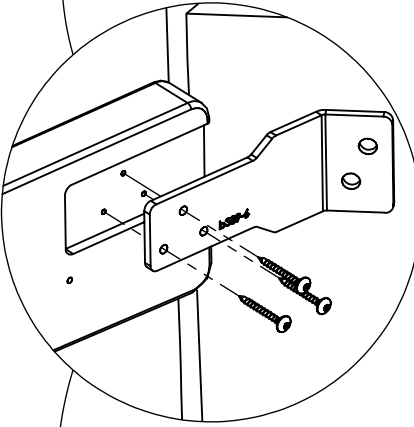
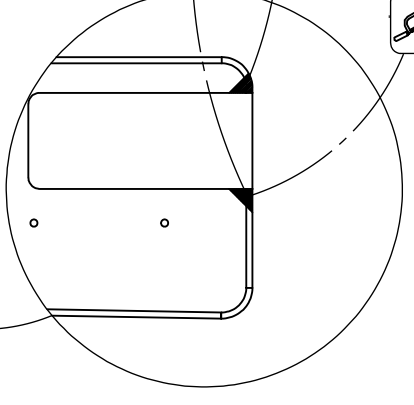
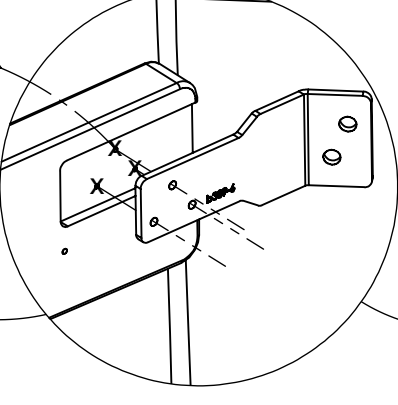
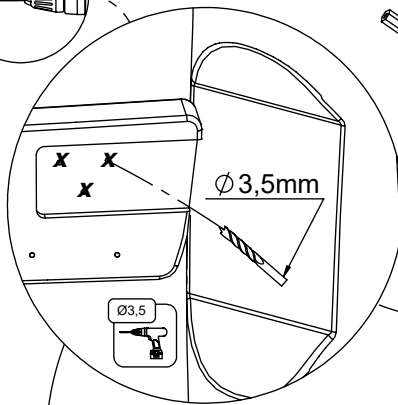
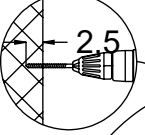
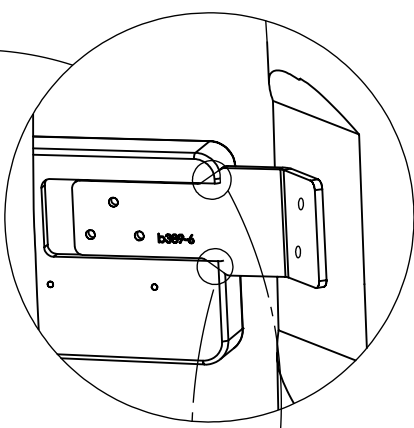
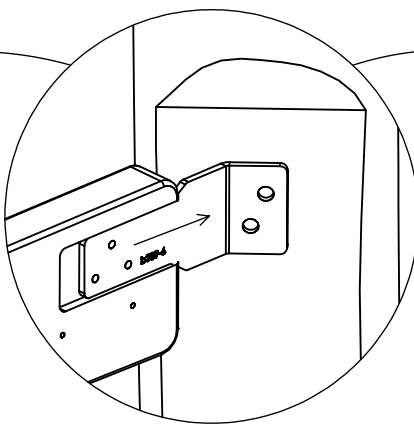
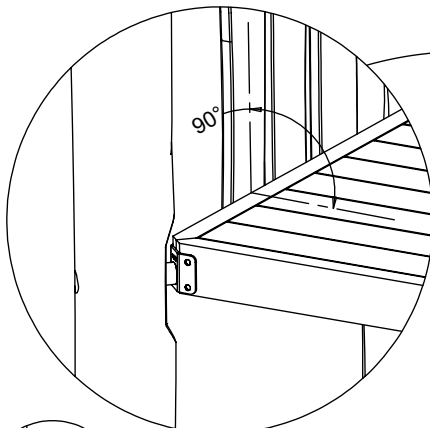
3x 5x80 sxs



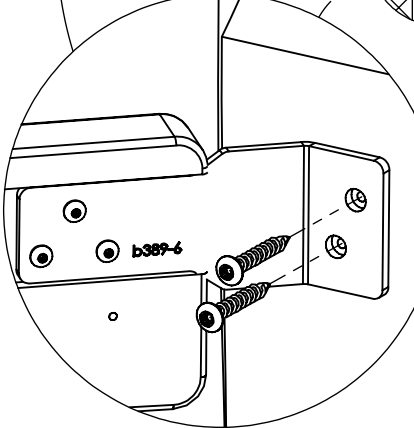
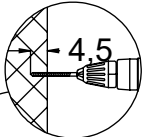
6x 5x50sxs

[cm]

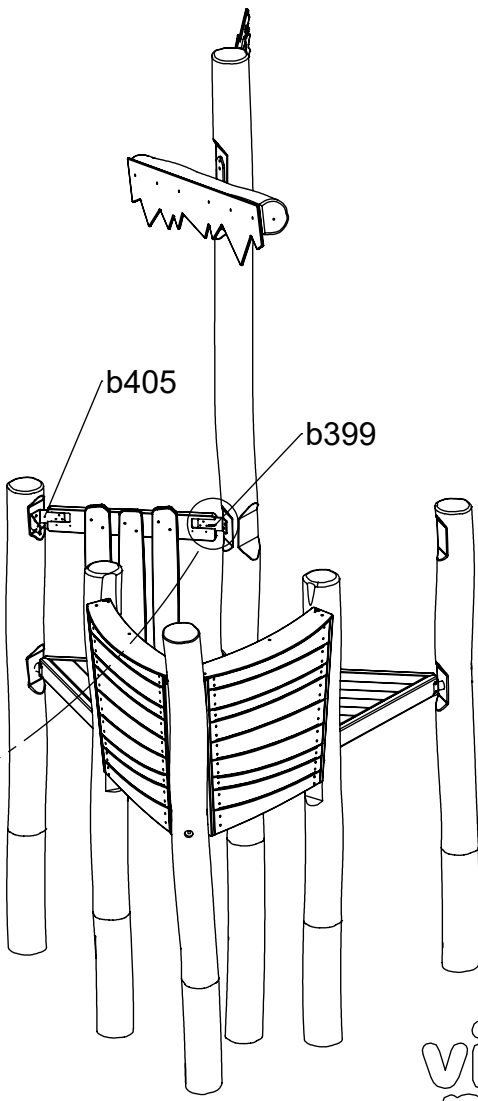
vinci
play



6x 5x30sxs



4x 8x50sxi

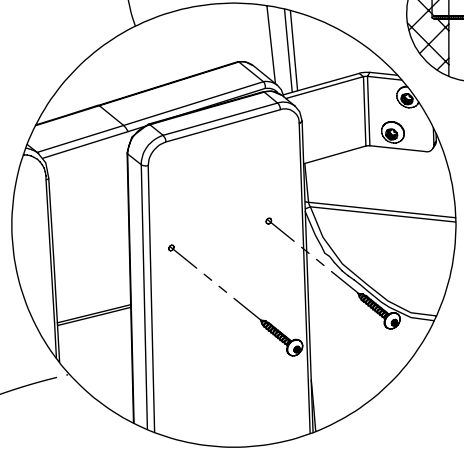
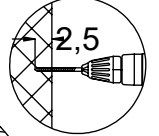
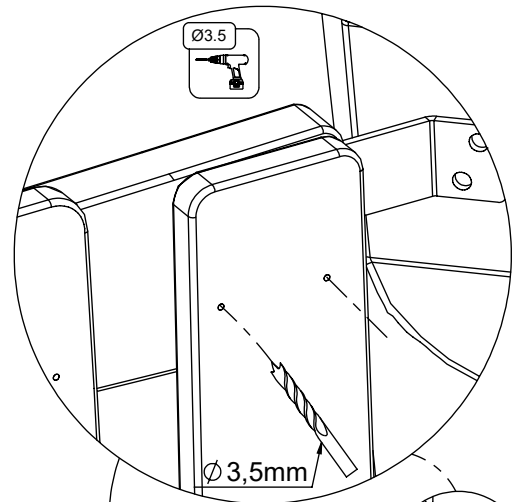
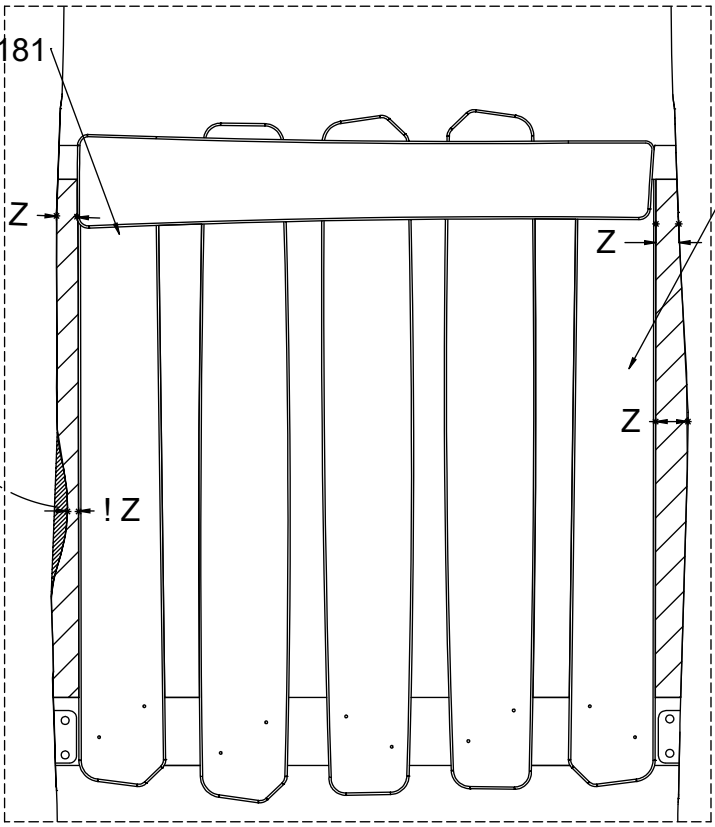


[cm]

vinci play

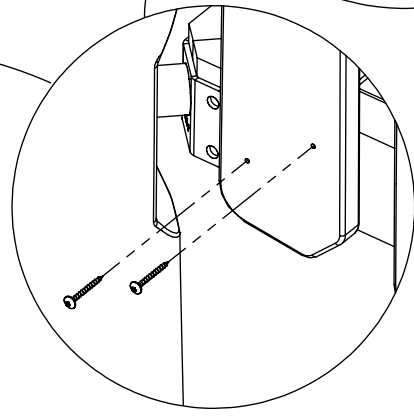
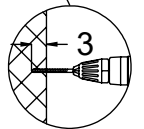
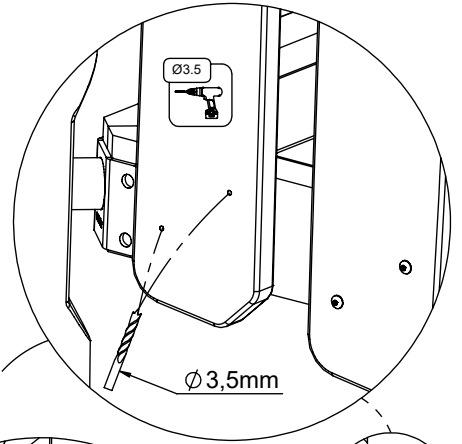
1x 128181

1x 128181

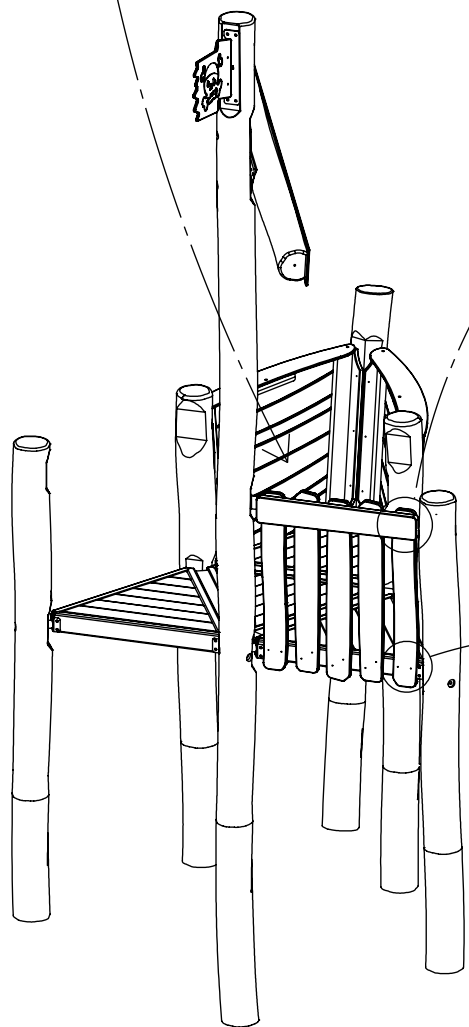


! 30mm < Z < 85mm

4x 5x50sxs

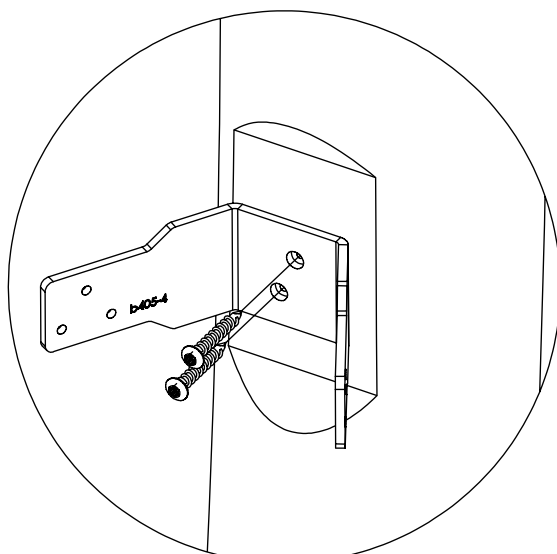
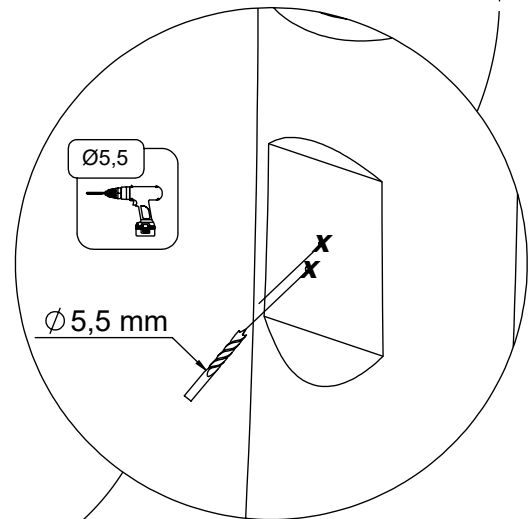
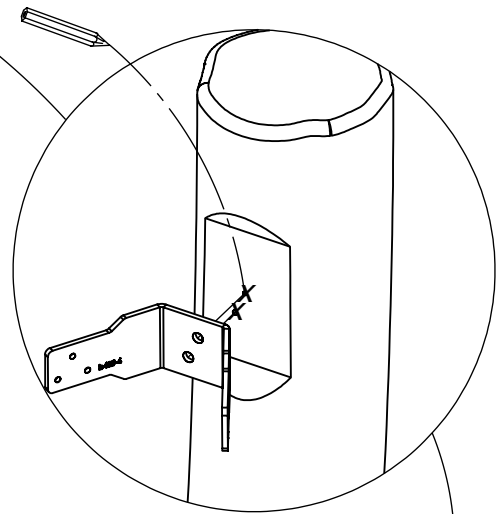
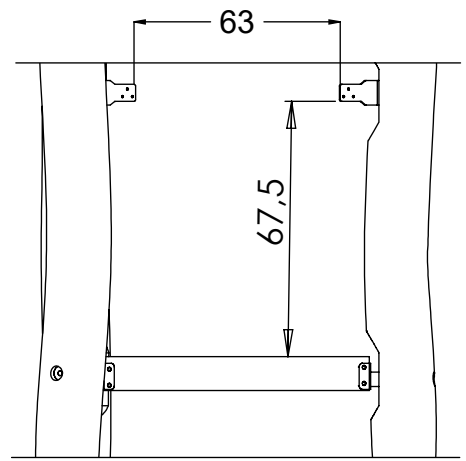
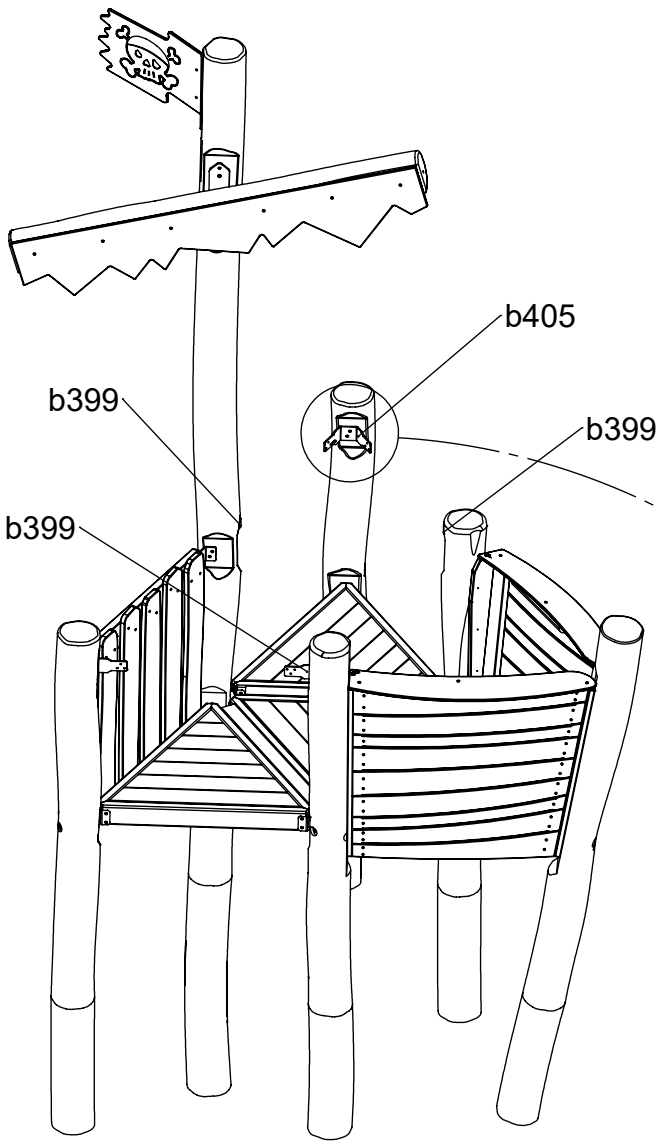


4x 5x50sxs



[cm]

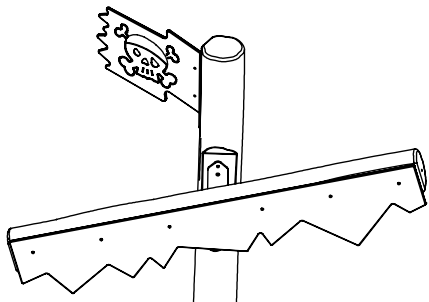
vinci play



8x 8x50sxi

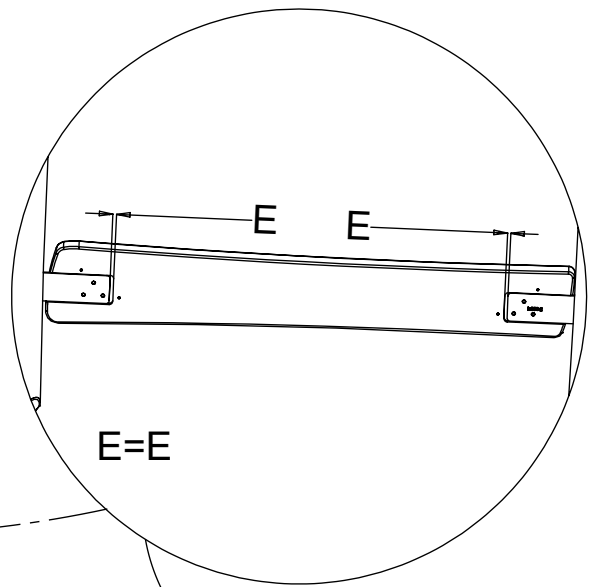
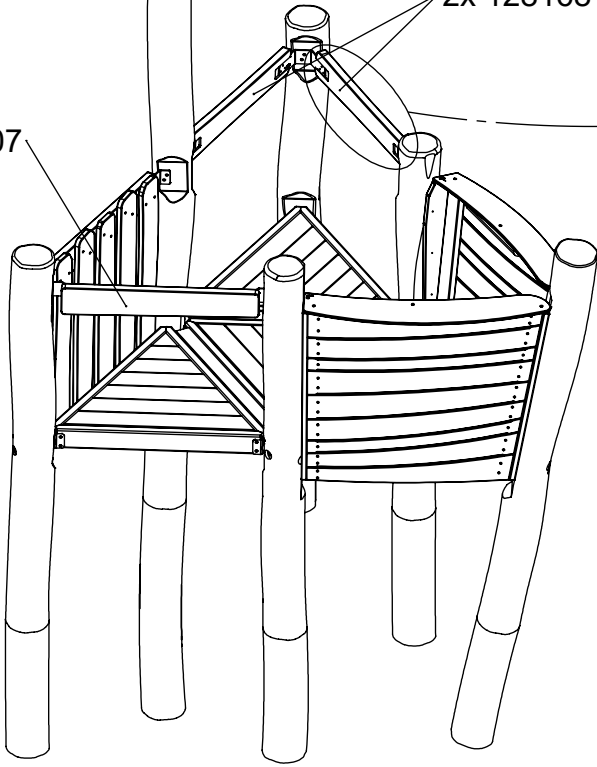
[cm]

vinci
play

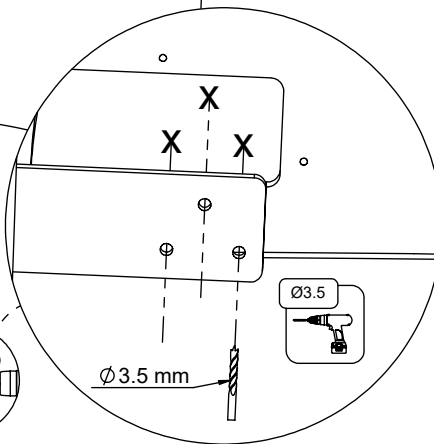
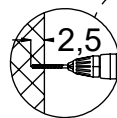
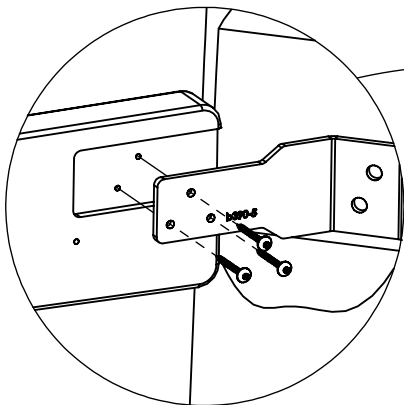
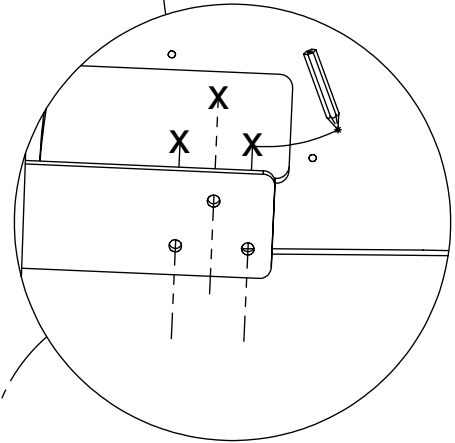
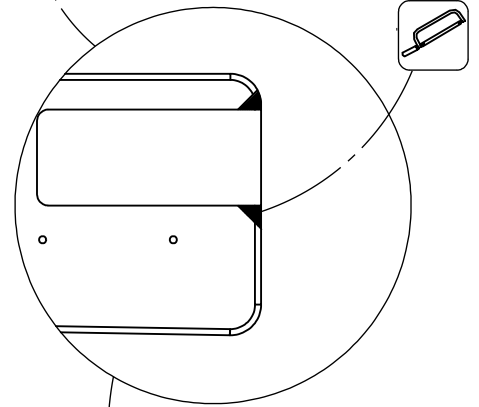


128107

2x 128168



E=E

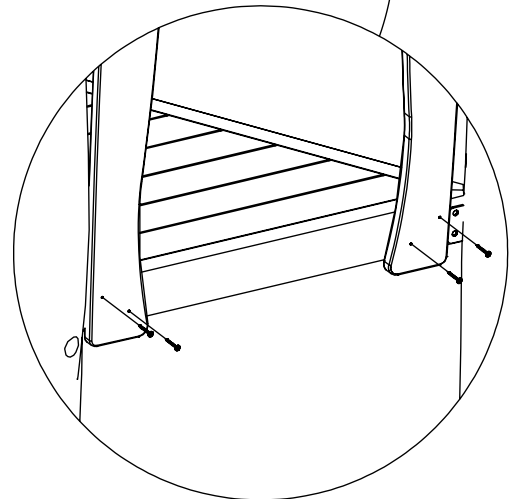
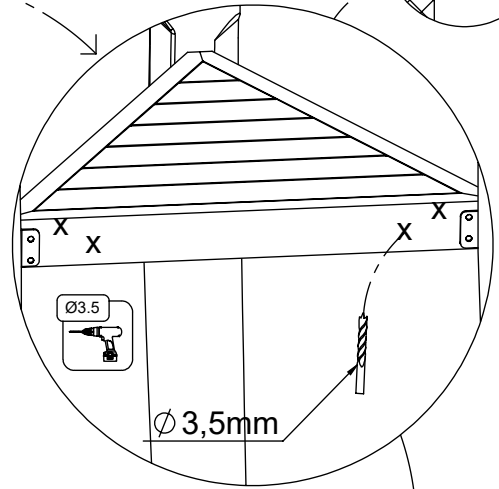
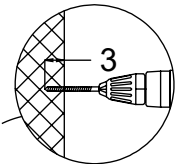
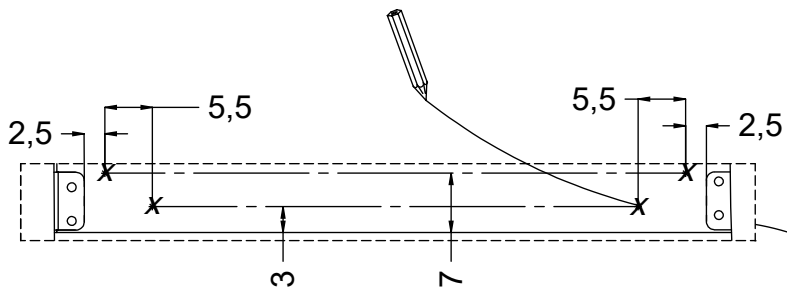


Ø 3.5 mm

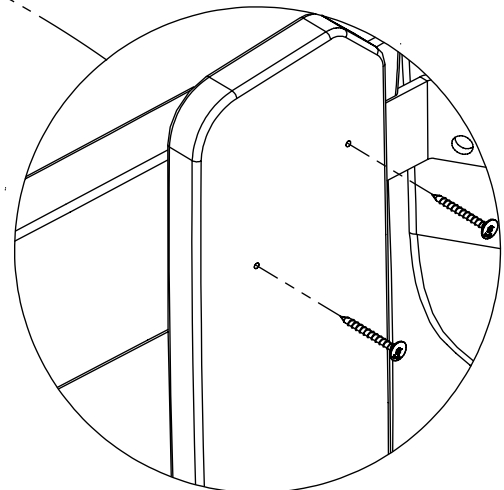
18x 5x30sxs

[cm]

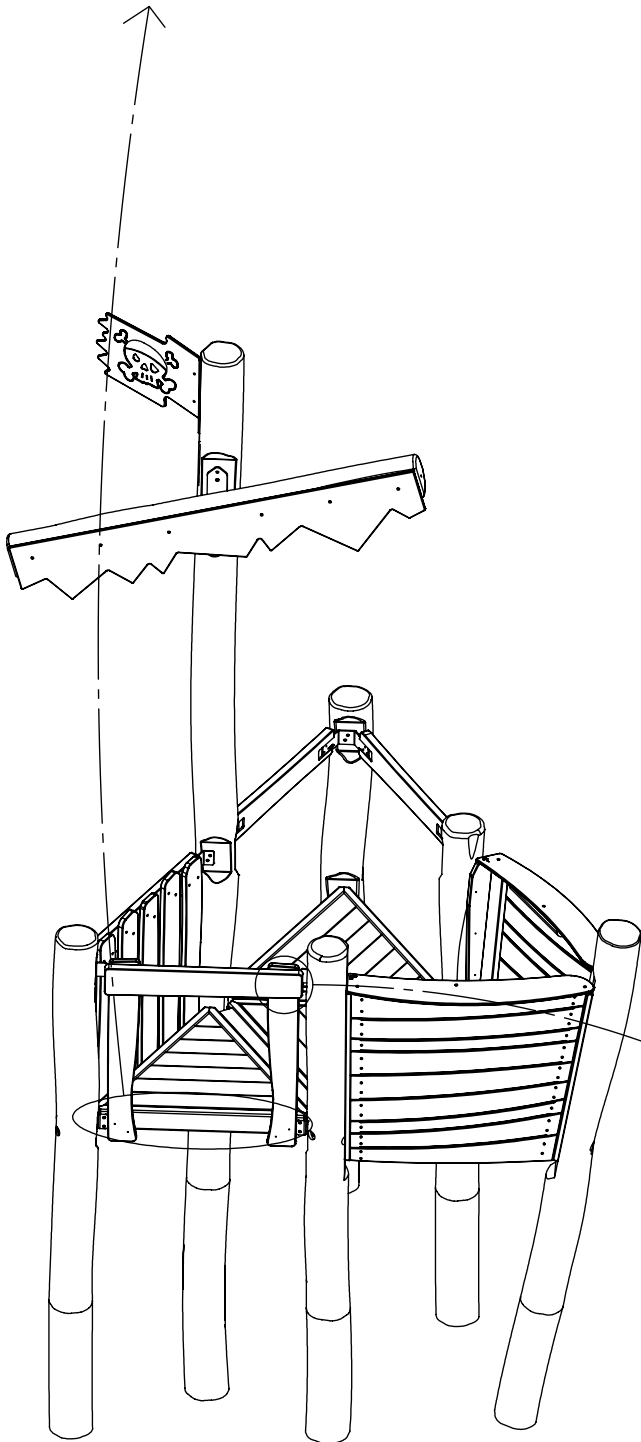
vinci
play



4x 5x50sxs

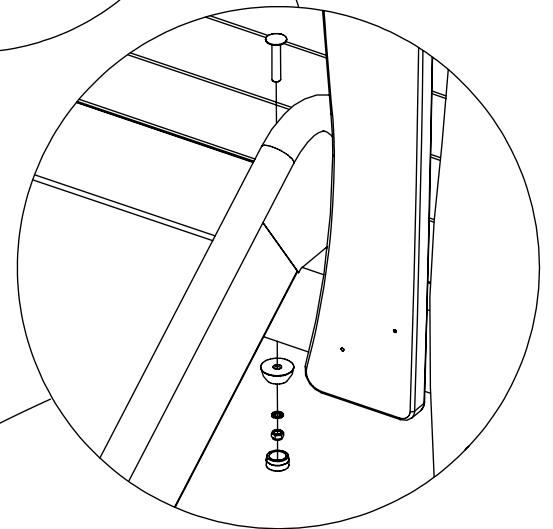
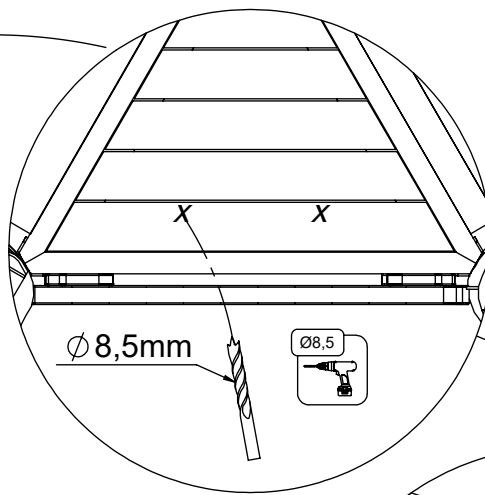
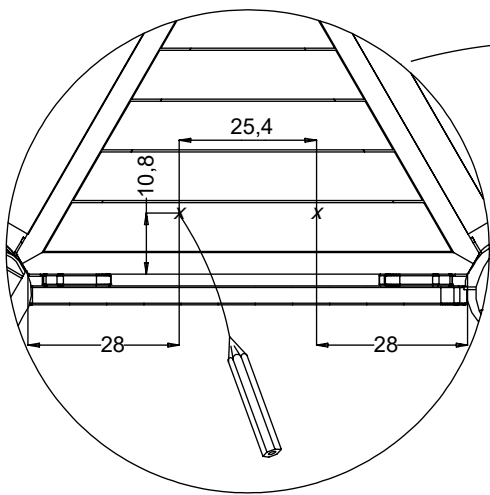


4x 5x50sxs

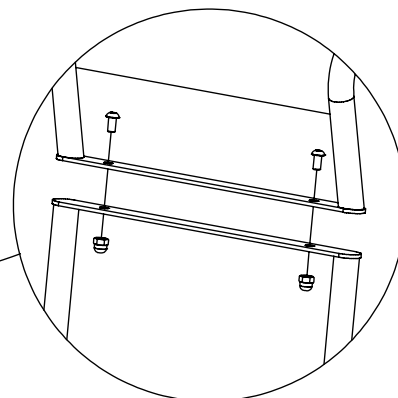
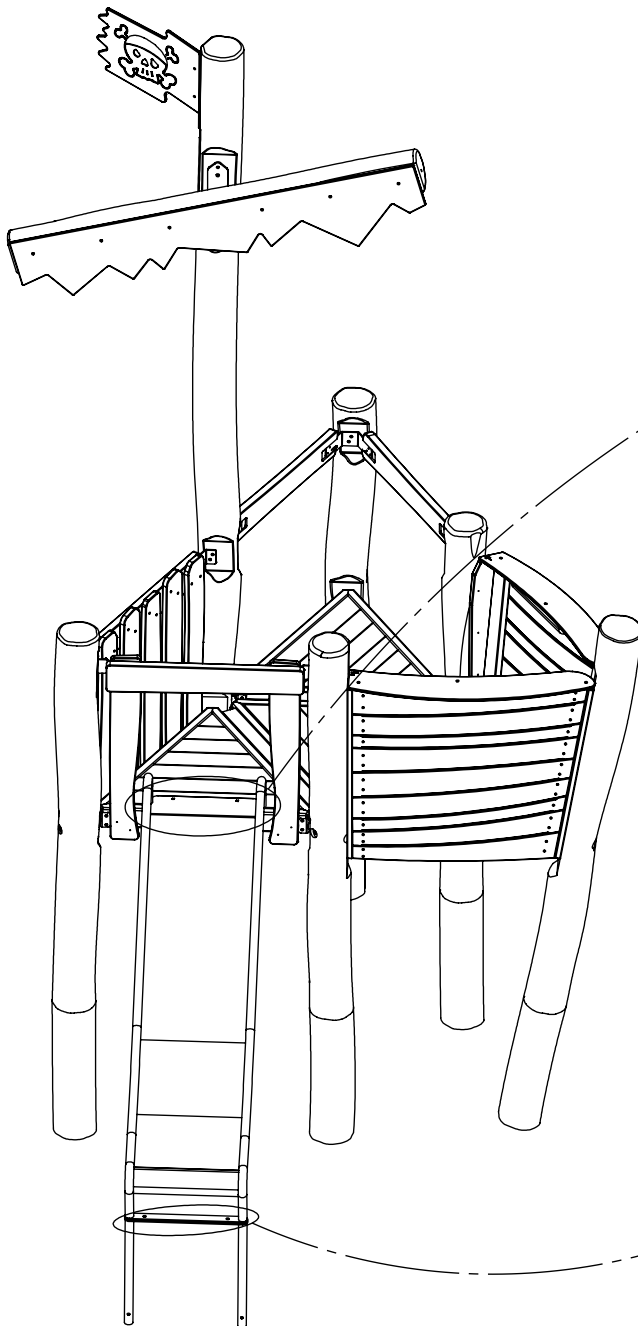


[cm]

vinci
play



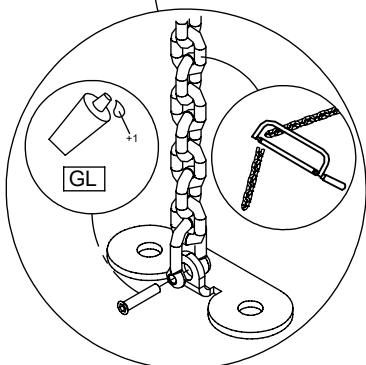
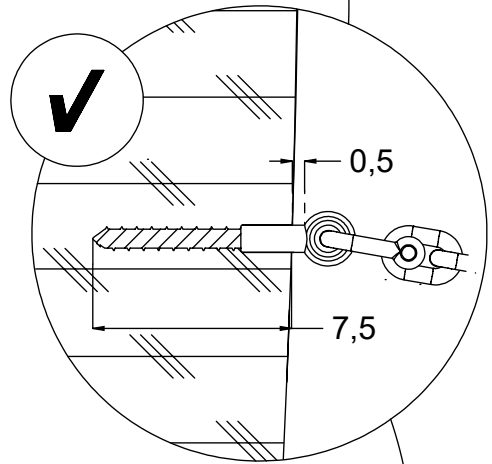
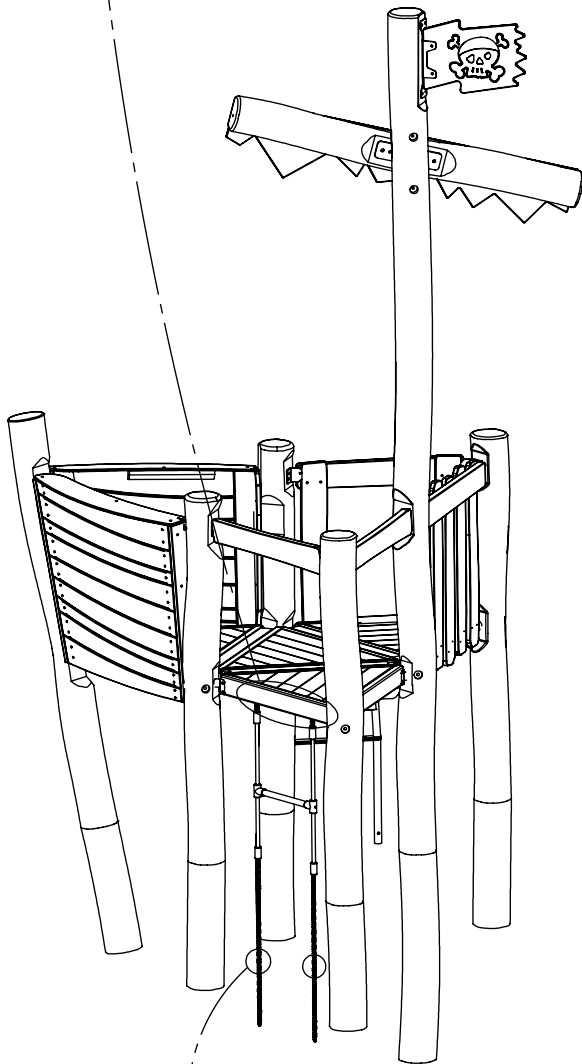
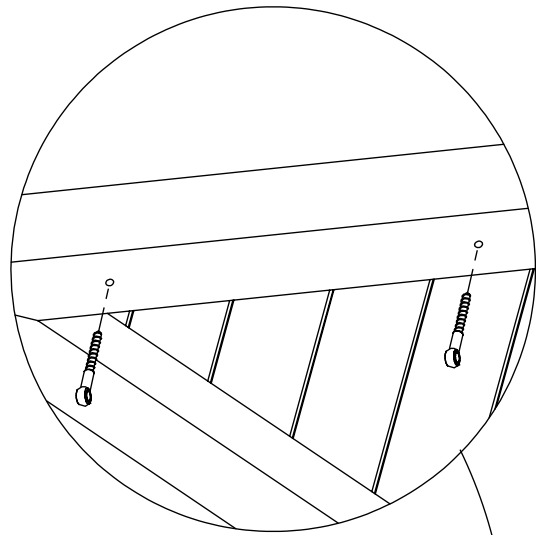
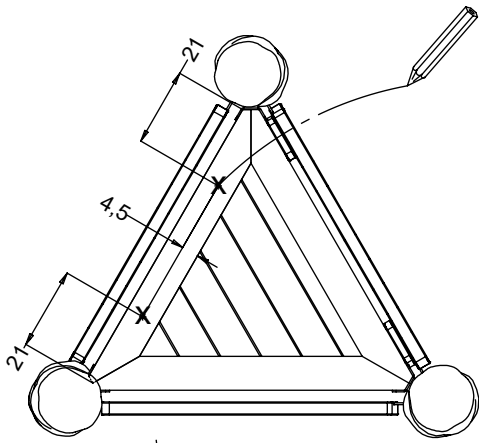
1x 12e019



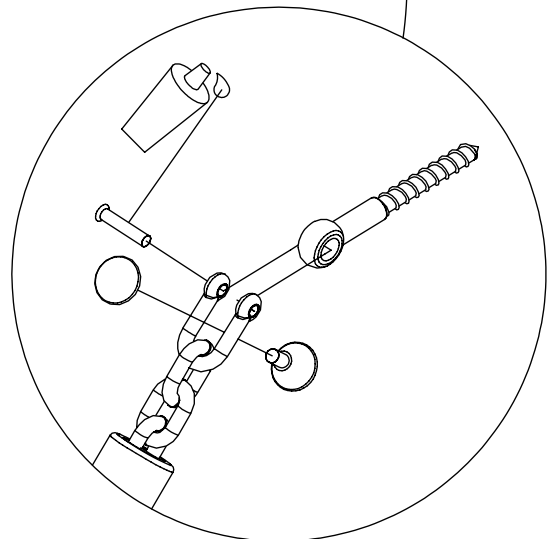
1x 12e030

[cm]

vinci
play



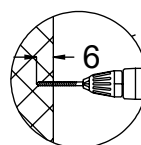
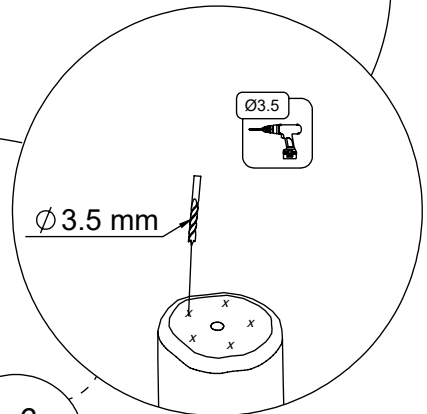
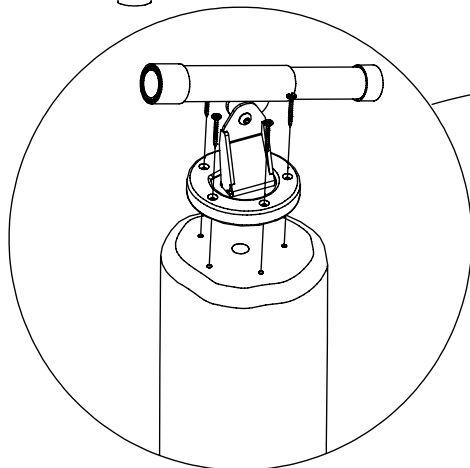
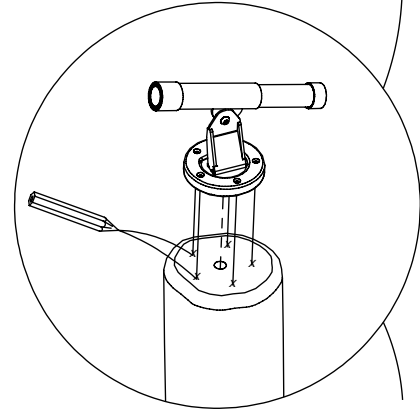
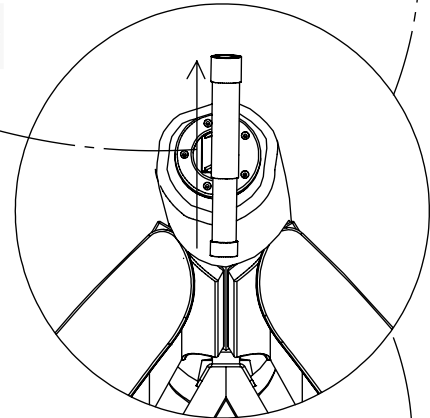
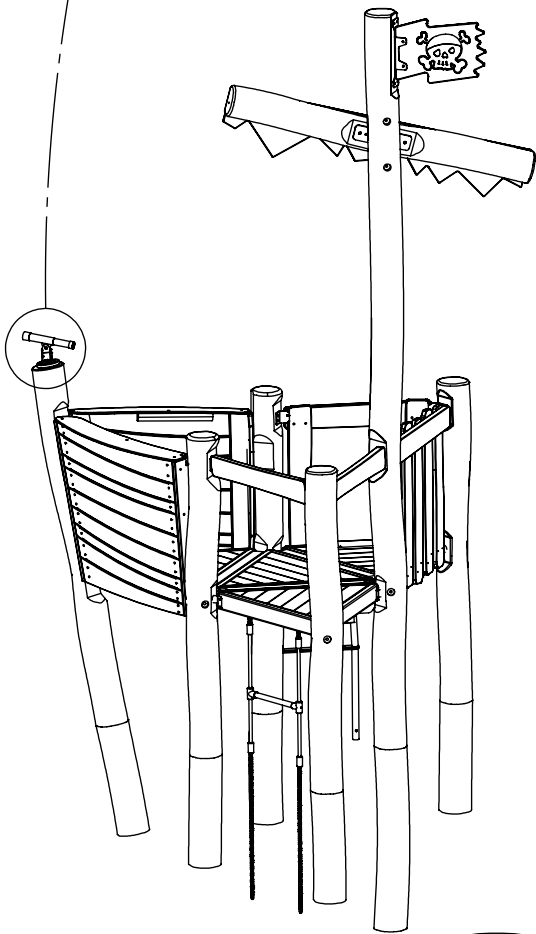
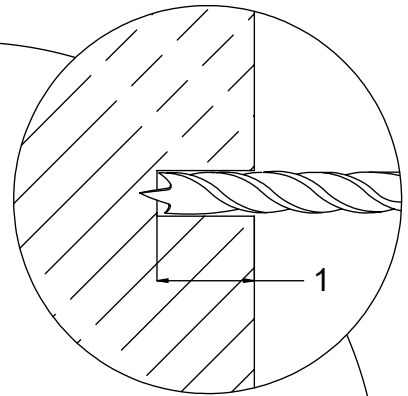
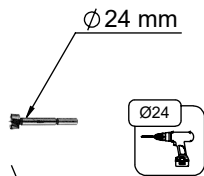
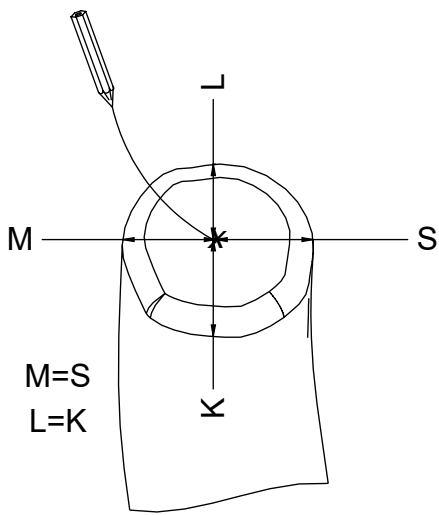
2x 12e052



1x 12e007

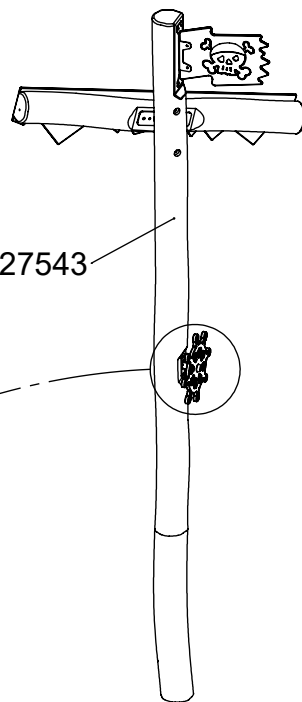
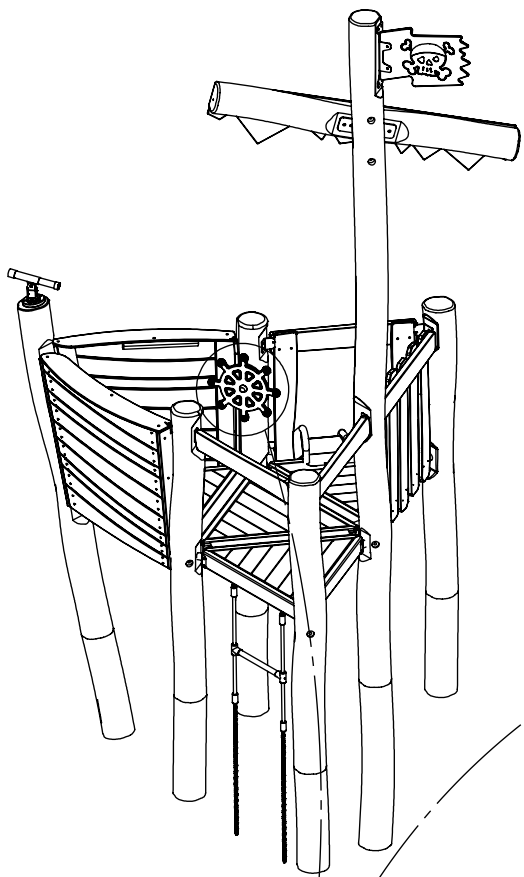
[cm]

vinci
play

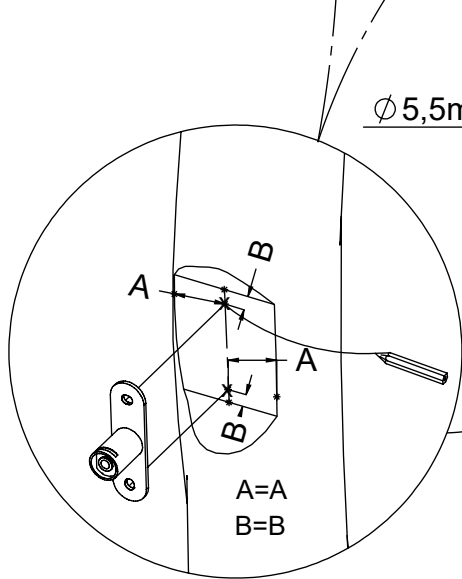


[cm]

vinci
play

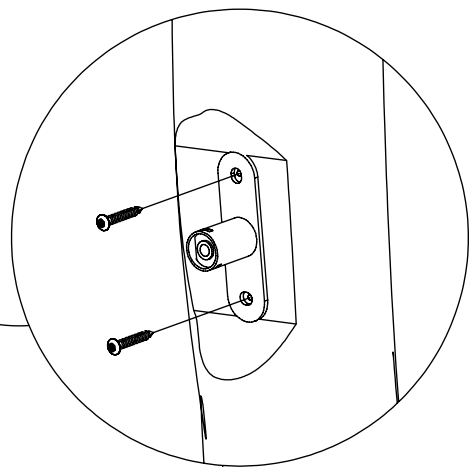
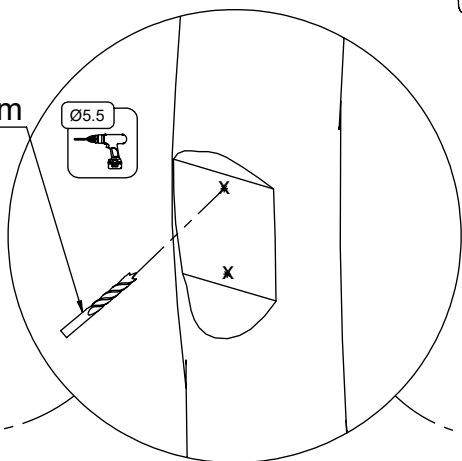


127543

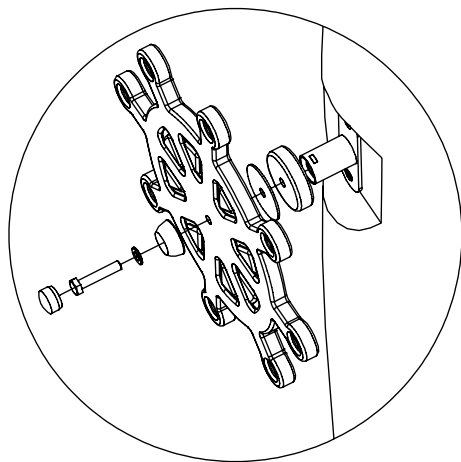


A=A
B=B

Ø 5,5mm



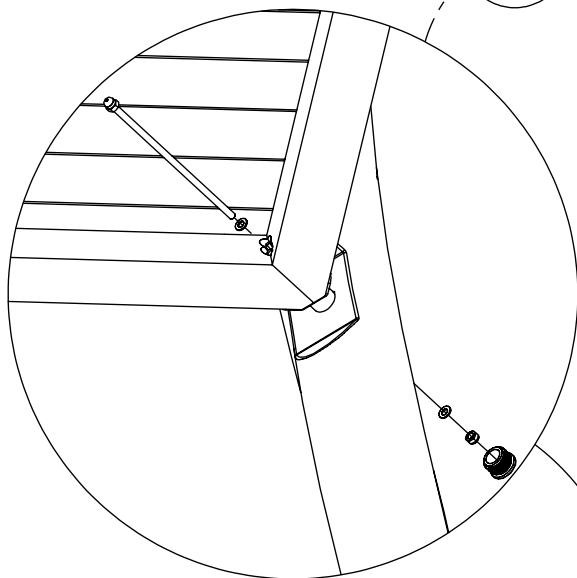
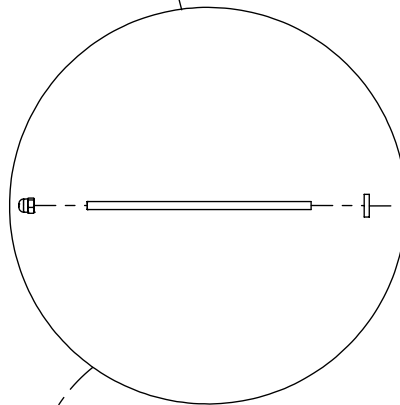
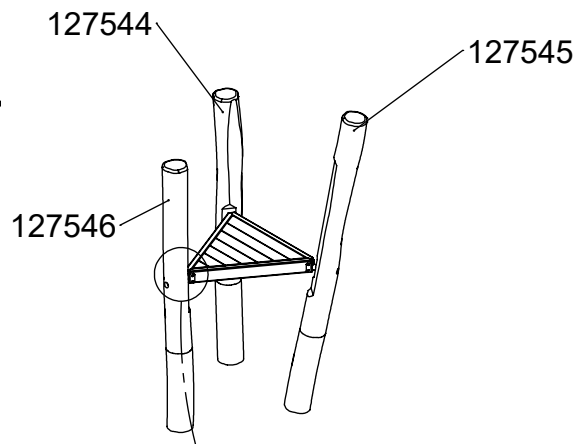
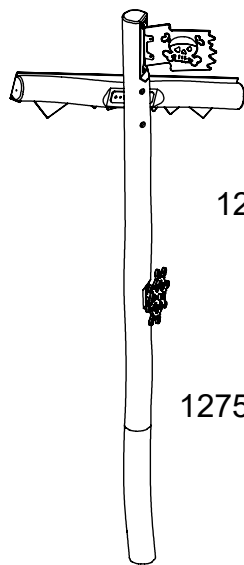
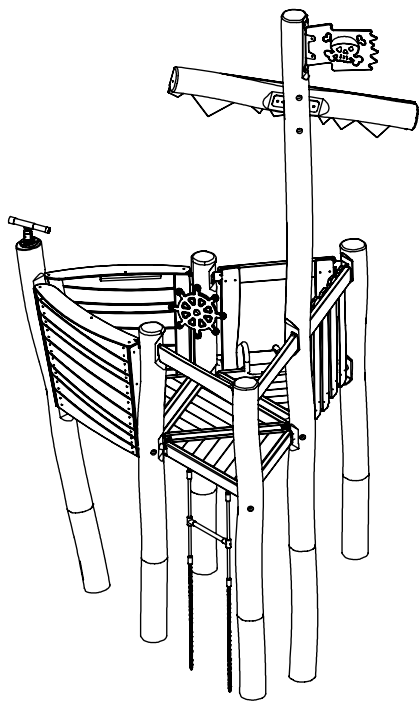
4x 8x50sxi



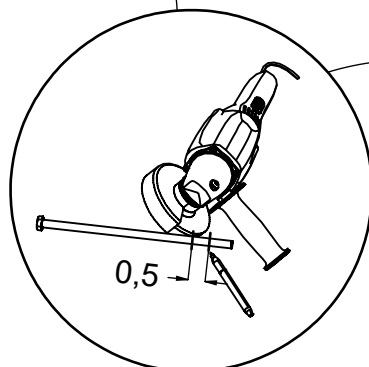
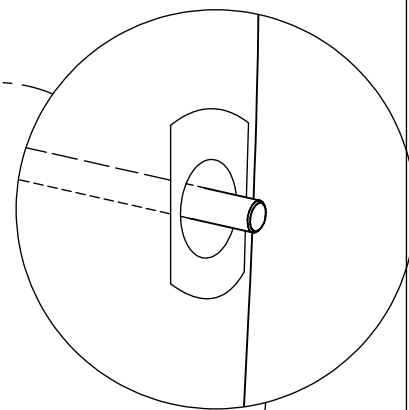
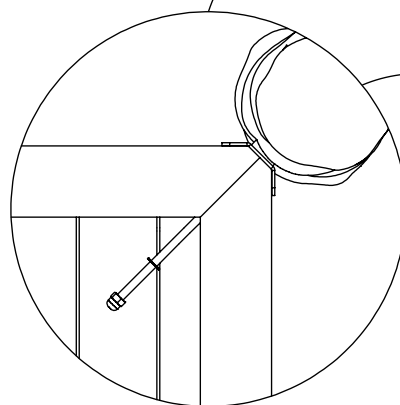
2x 12e010

[cm]

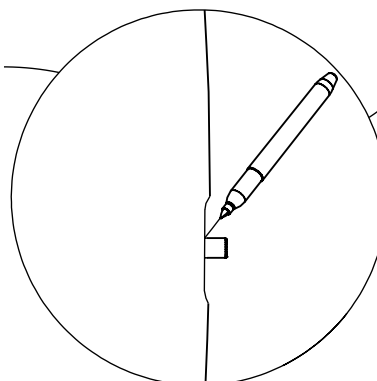
vinci
play



1x 12e003

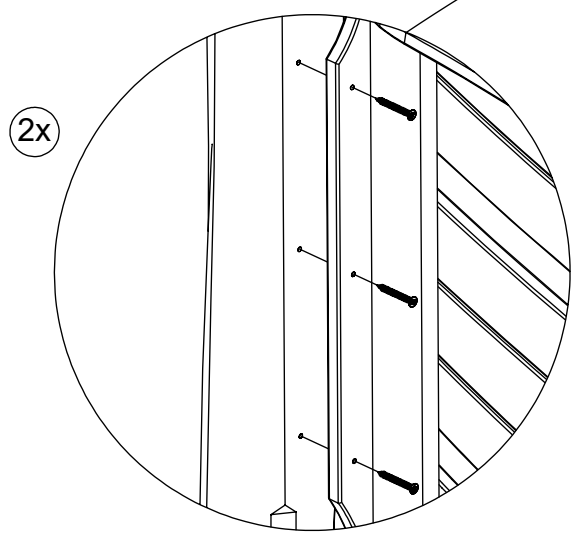
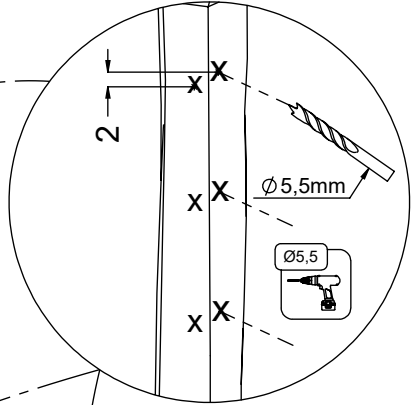
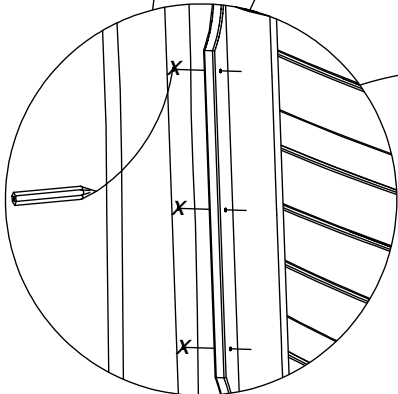
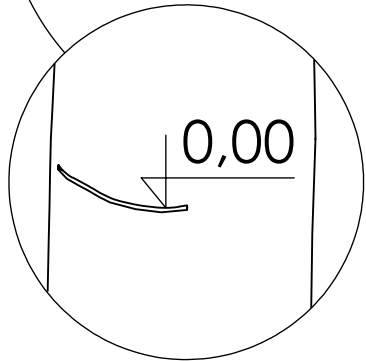
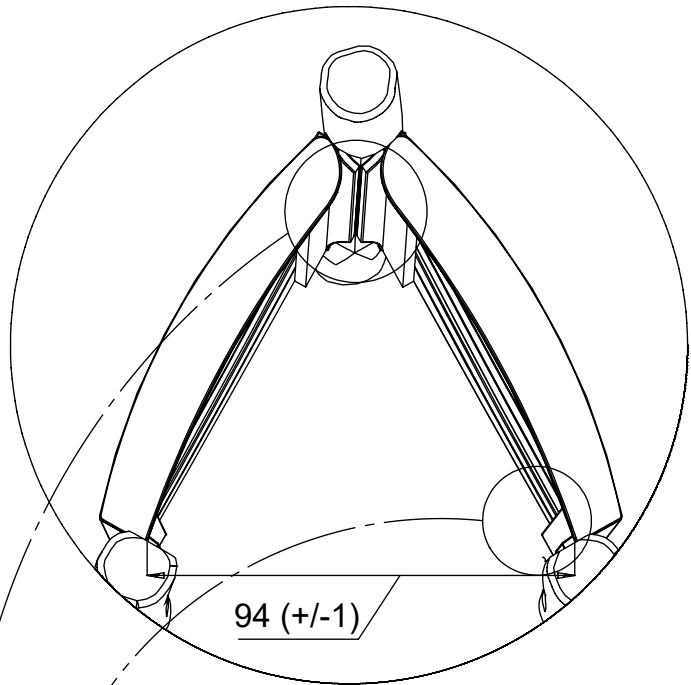
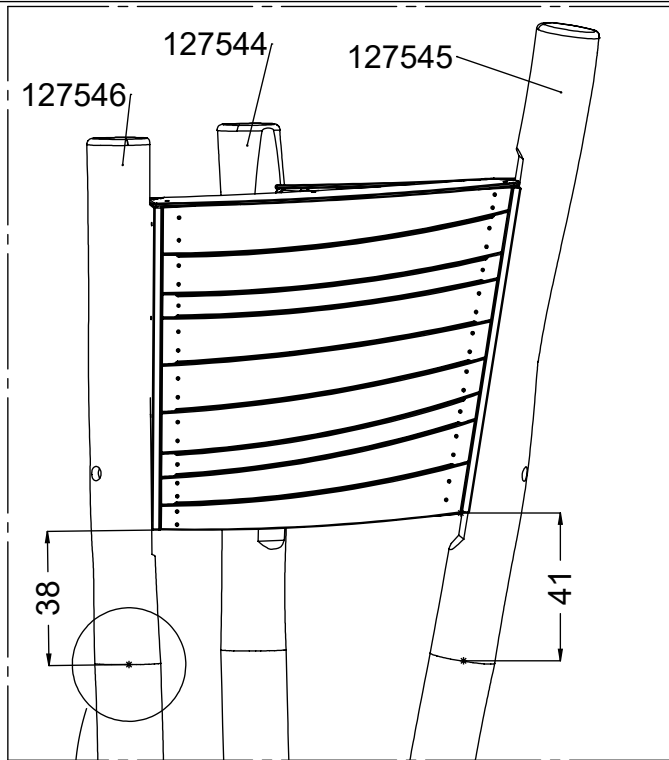


0,5

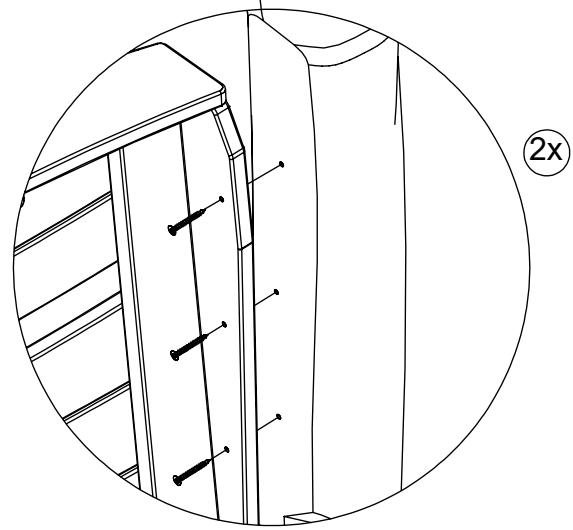


[cm]

vinci
play



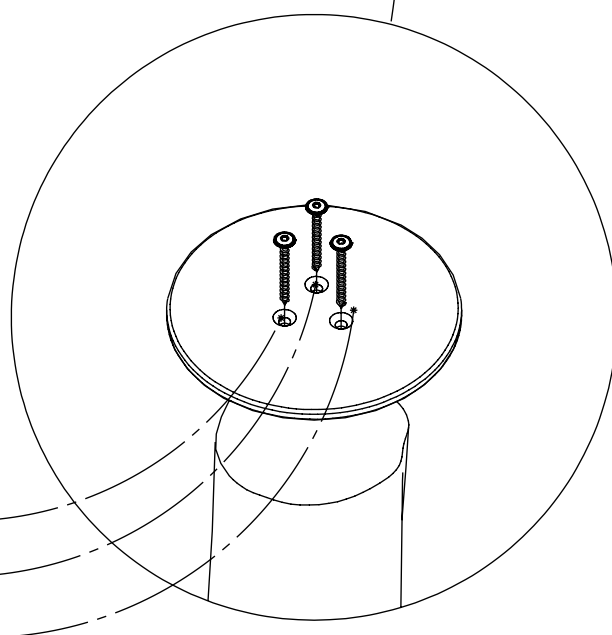
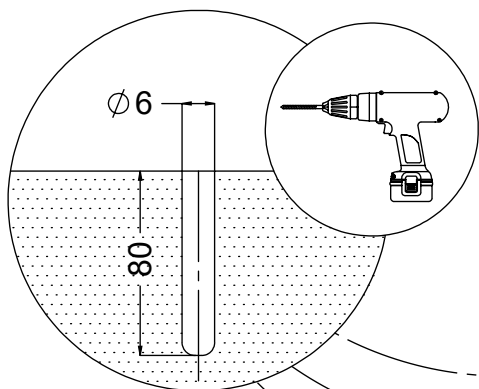
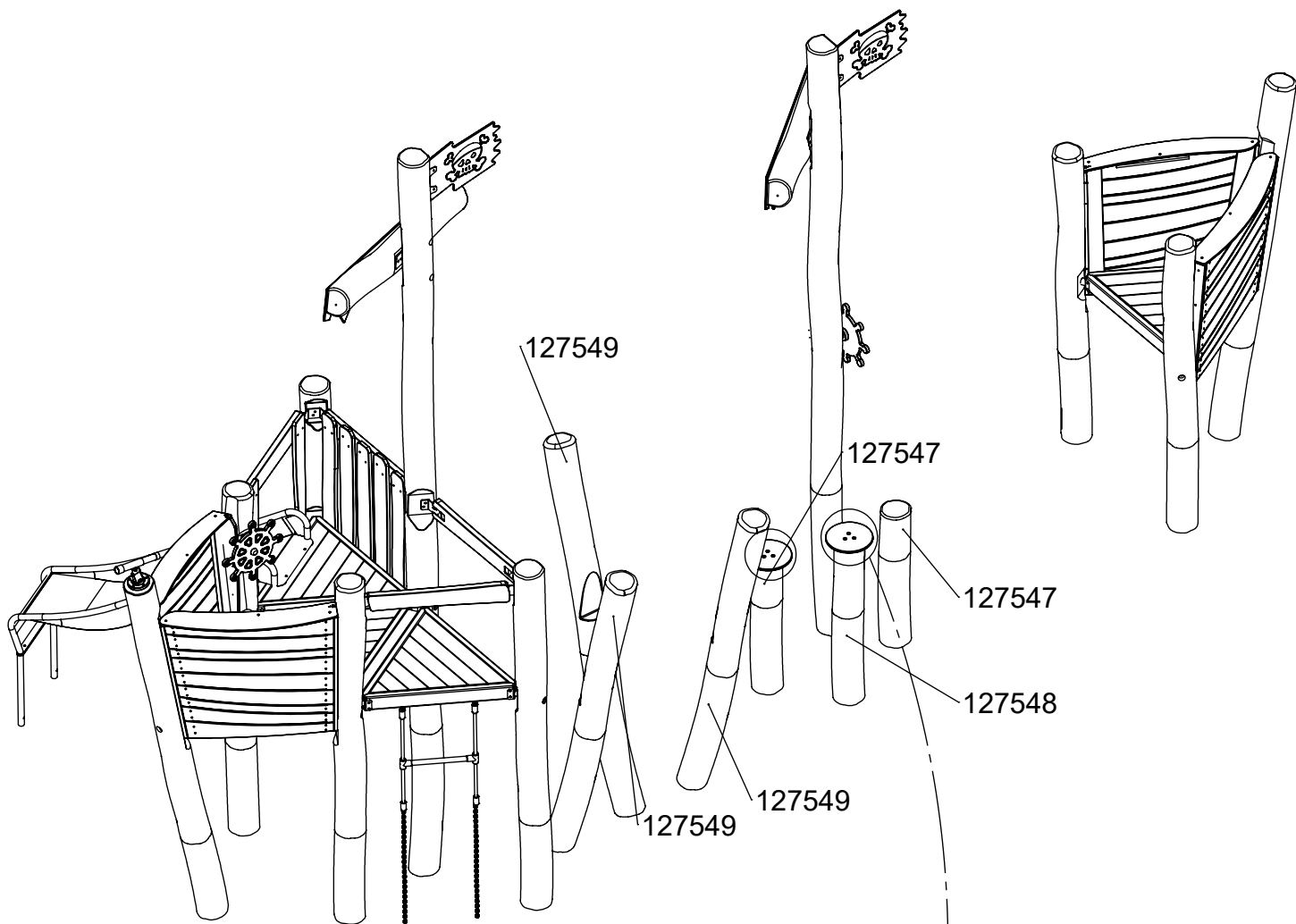
3x 5x80 sxs



3x 5x80 sxs

[cm]

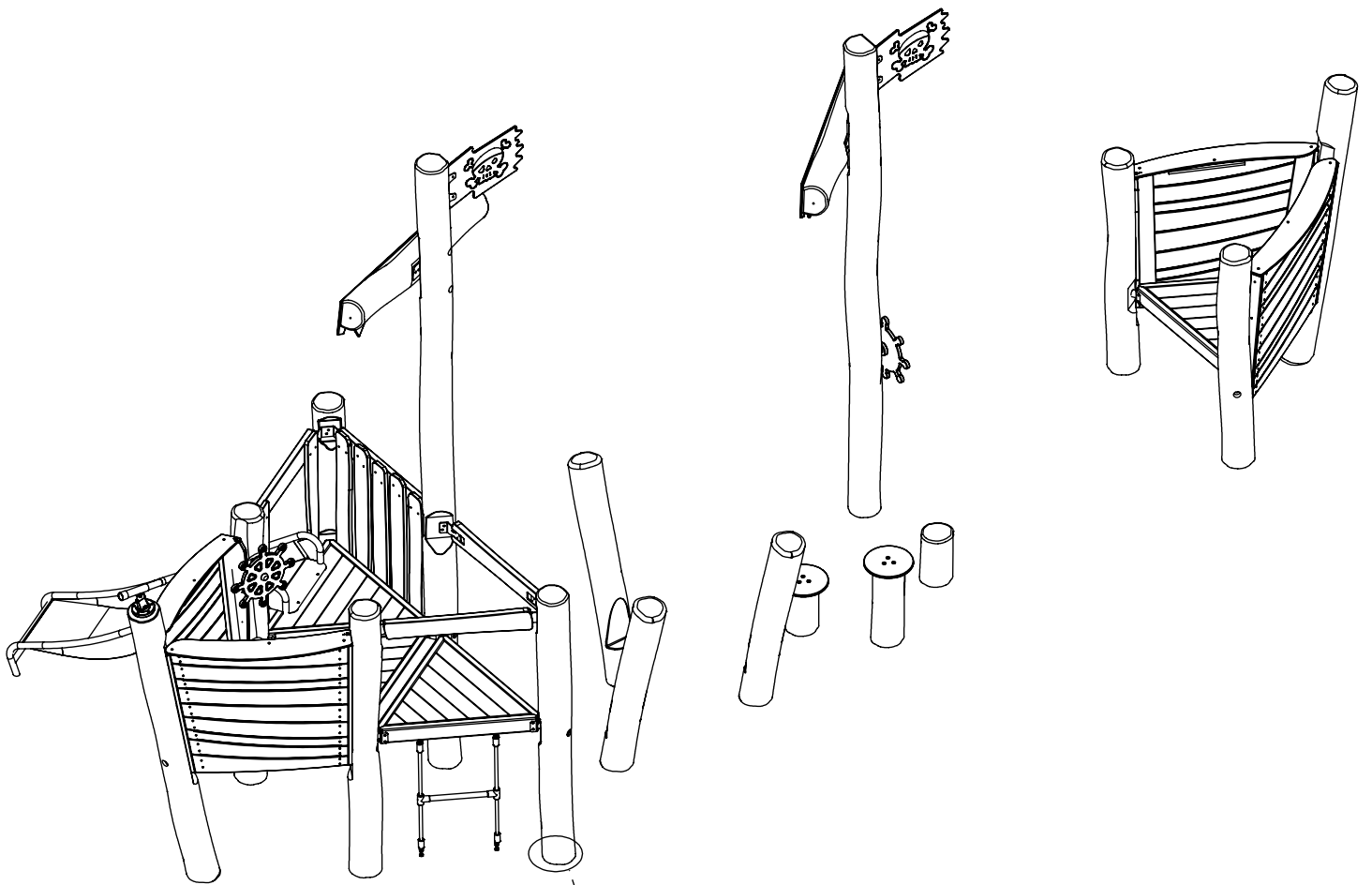
vinci
play



6x 8x80sxt

[cm]

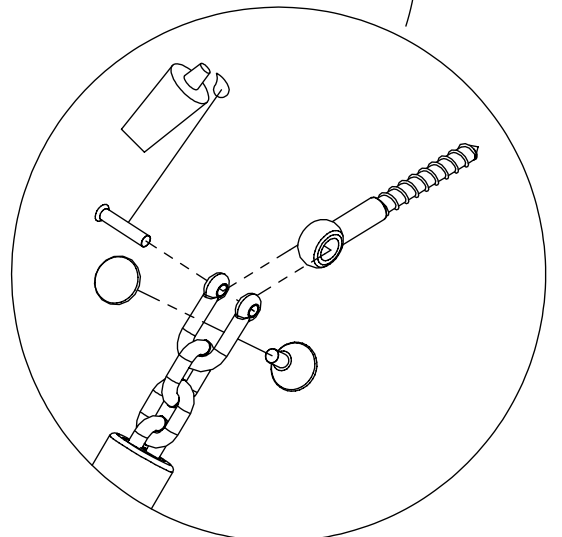
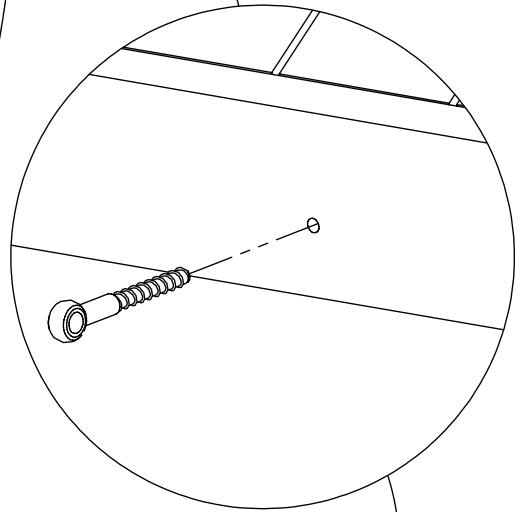
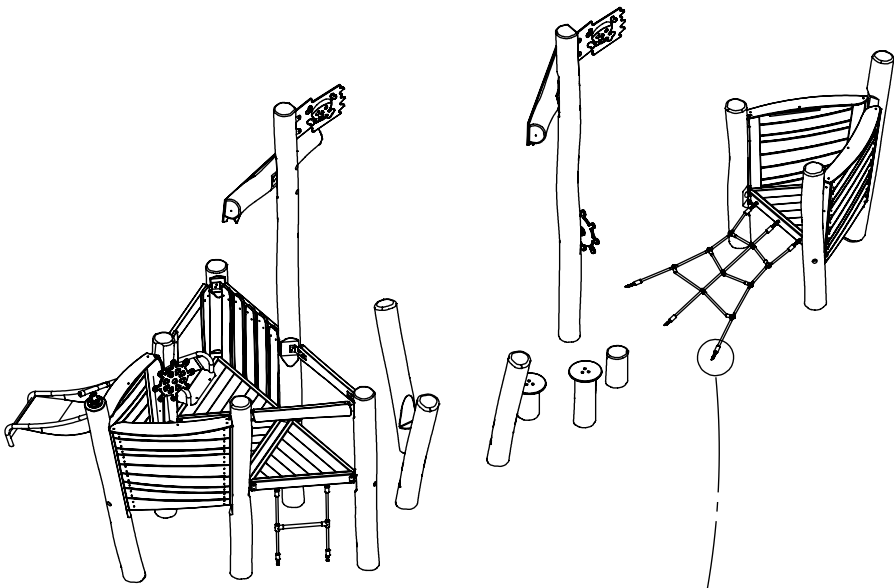
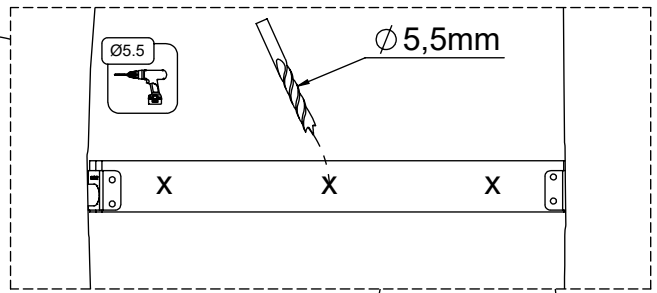
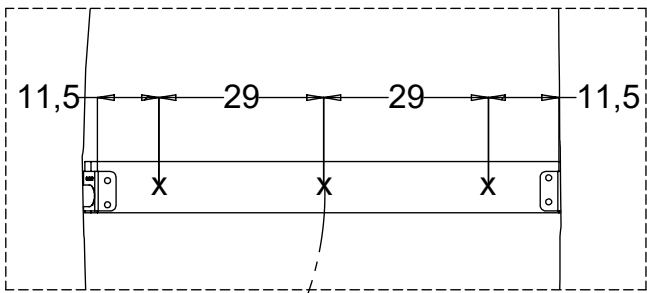
vinci
play



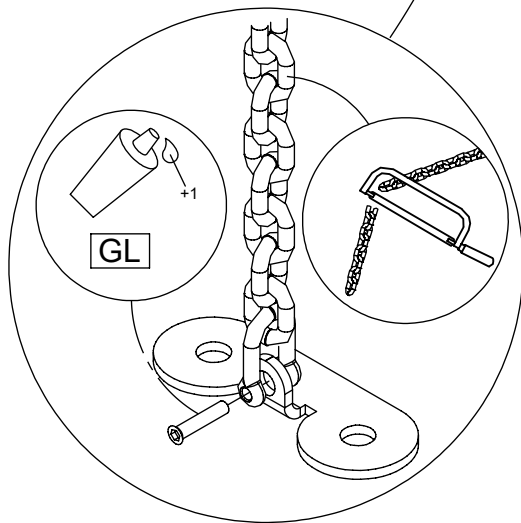
48h



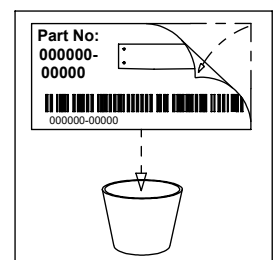
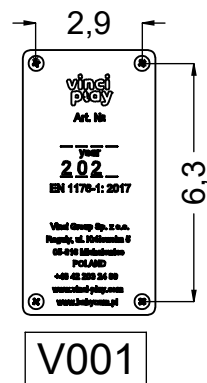
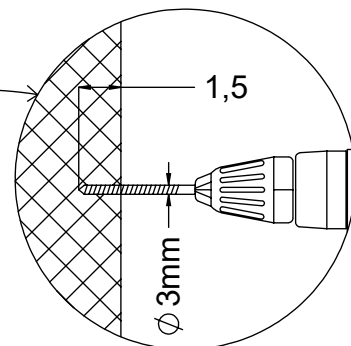
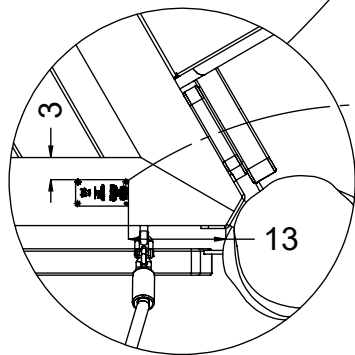
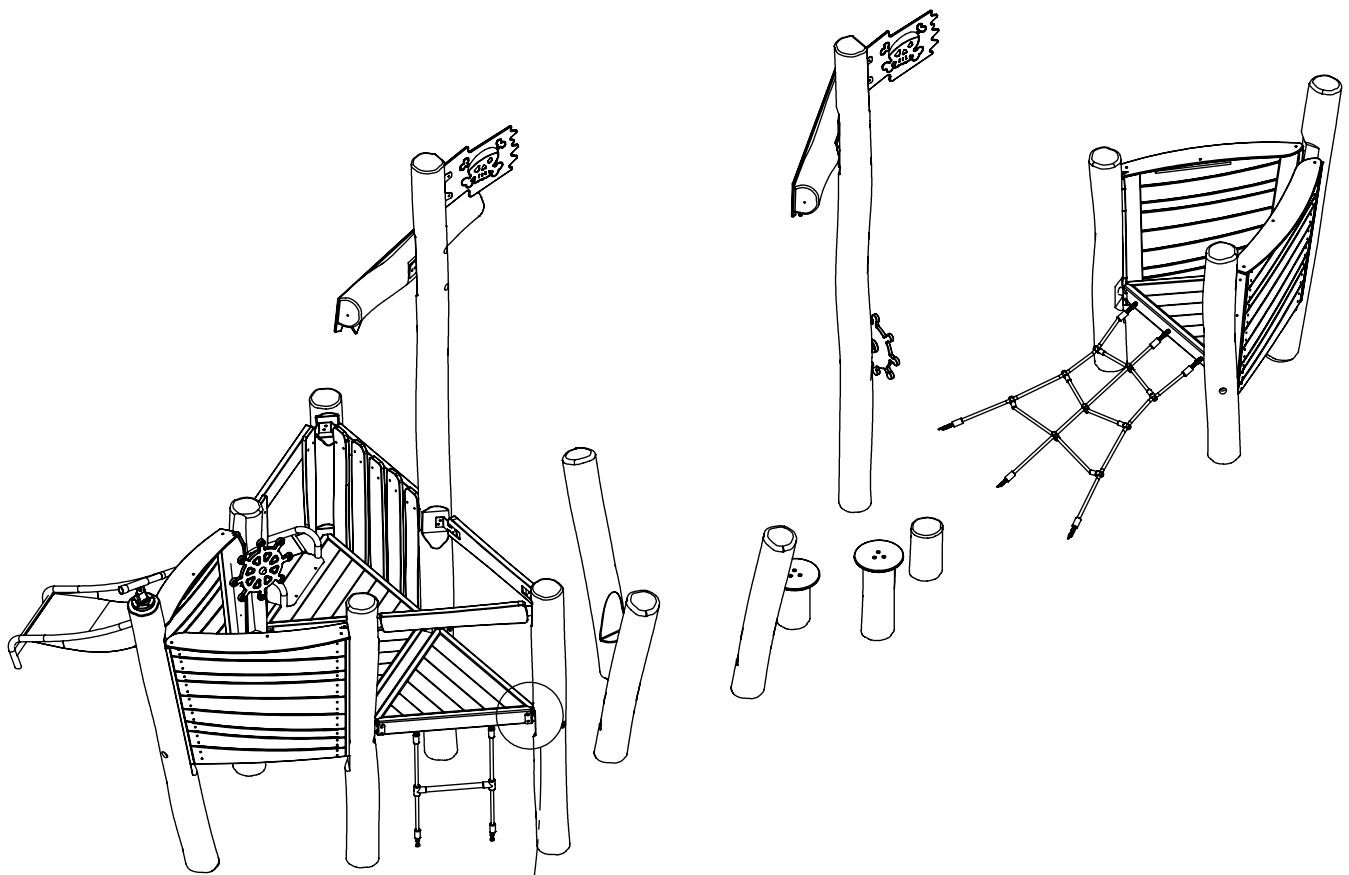
0,00



1x 12e015



3x 12e052



[cm]

vinci
play