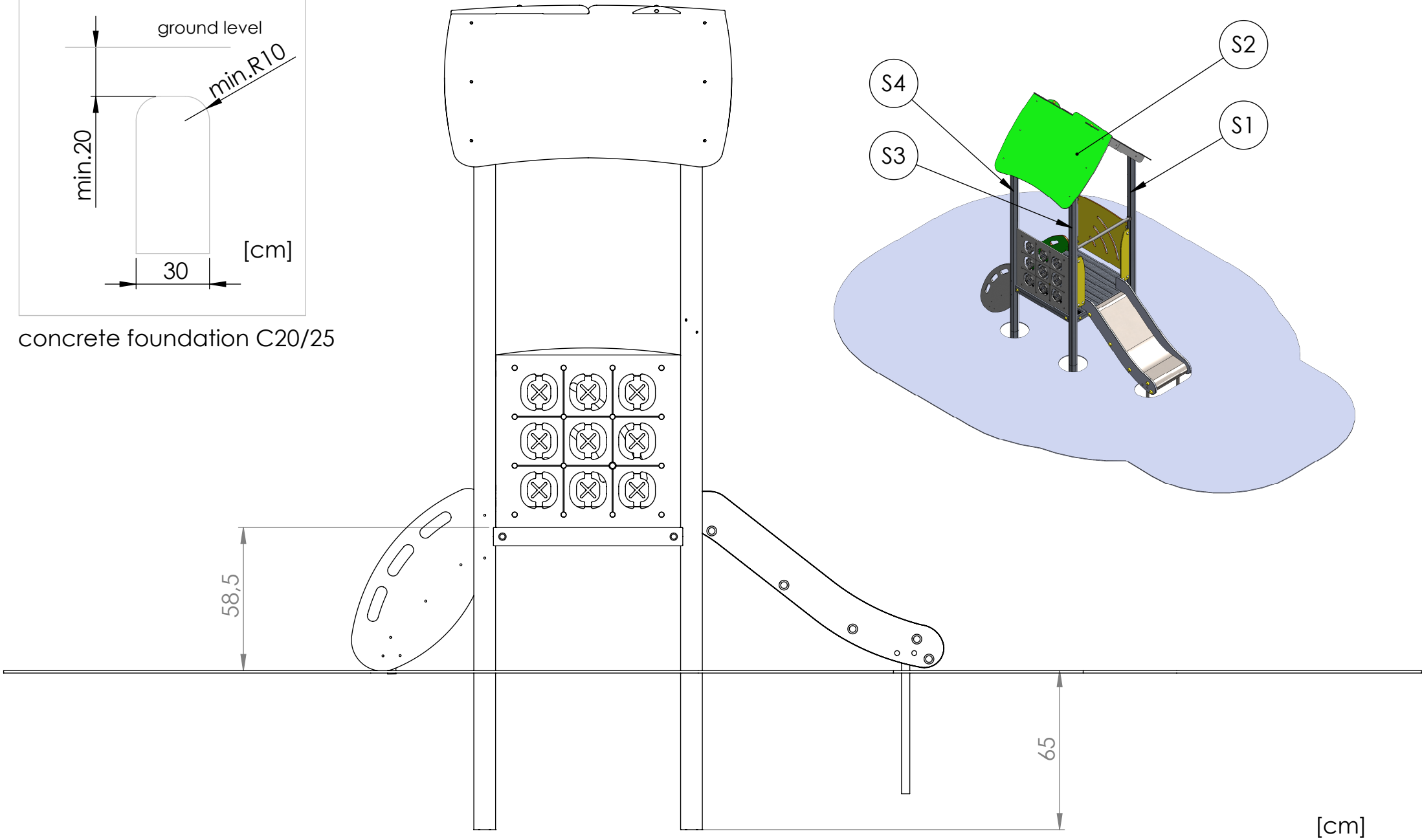
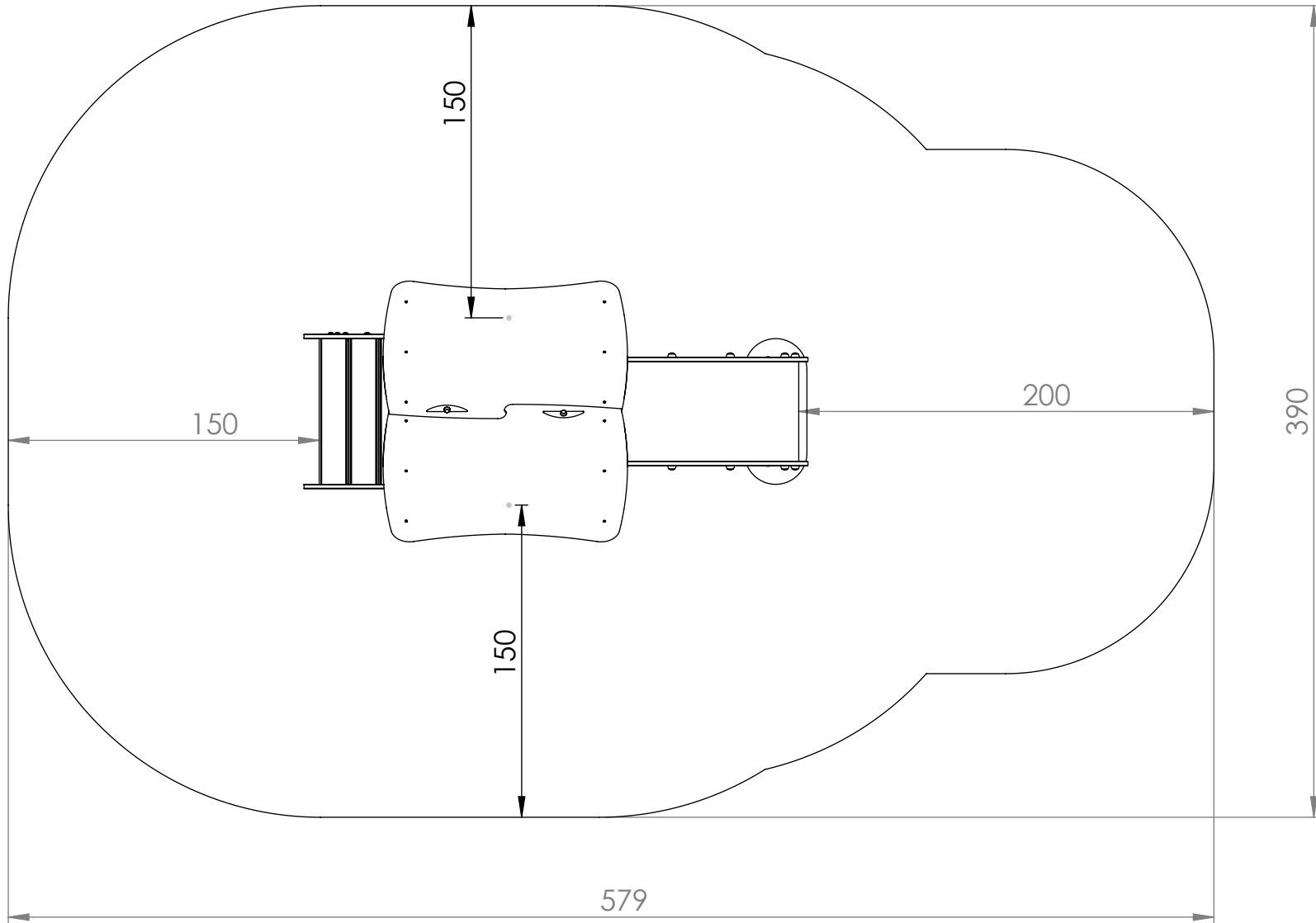


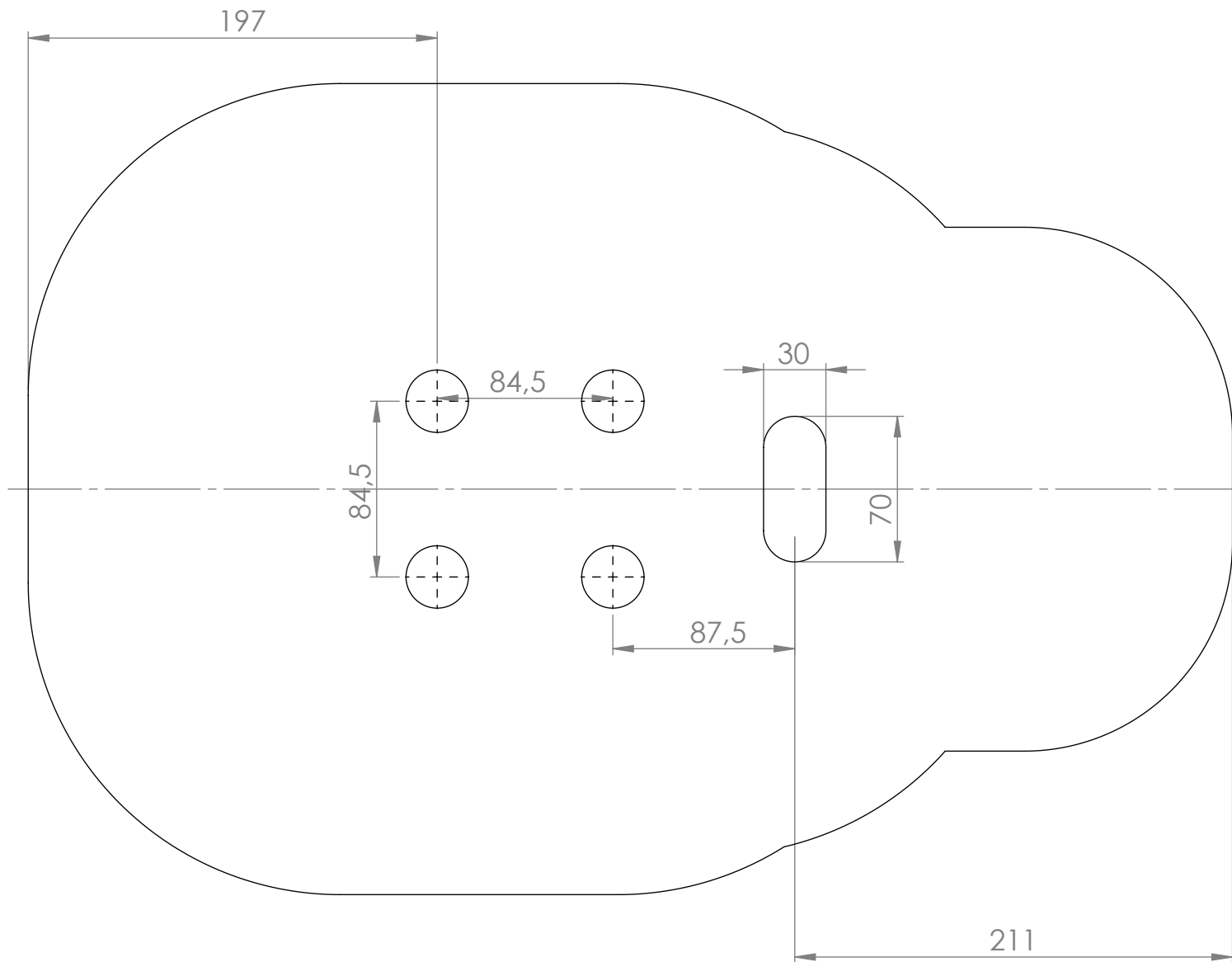
concrete foundation C20/25



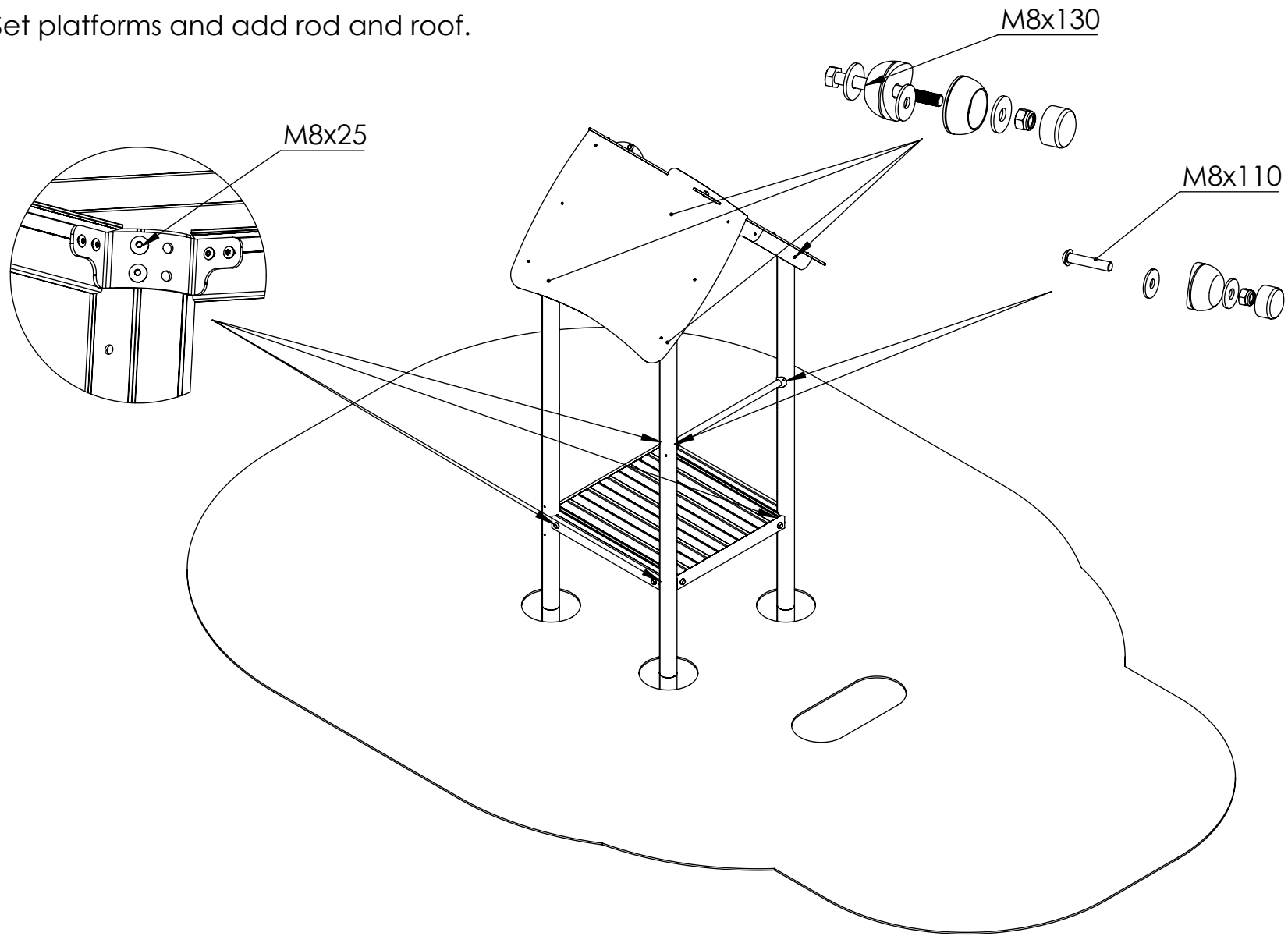
[cm]



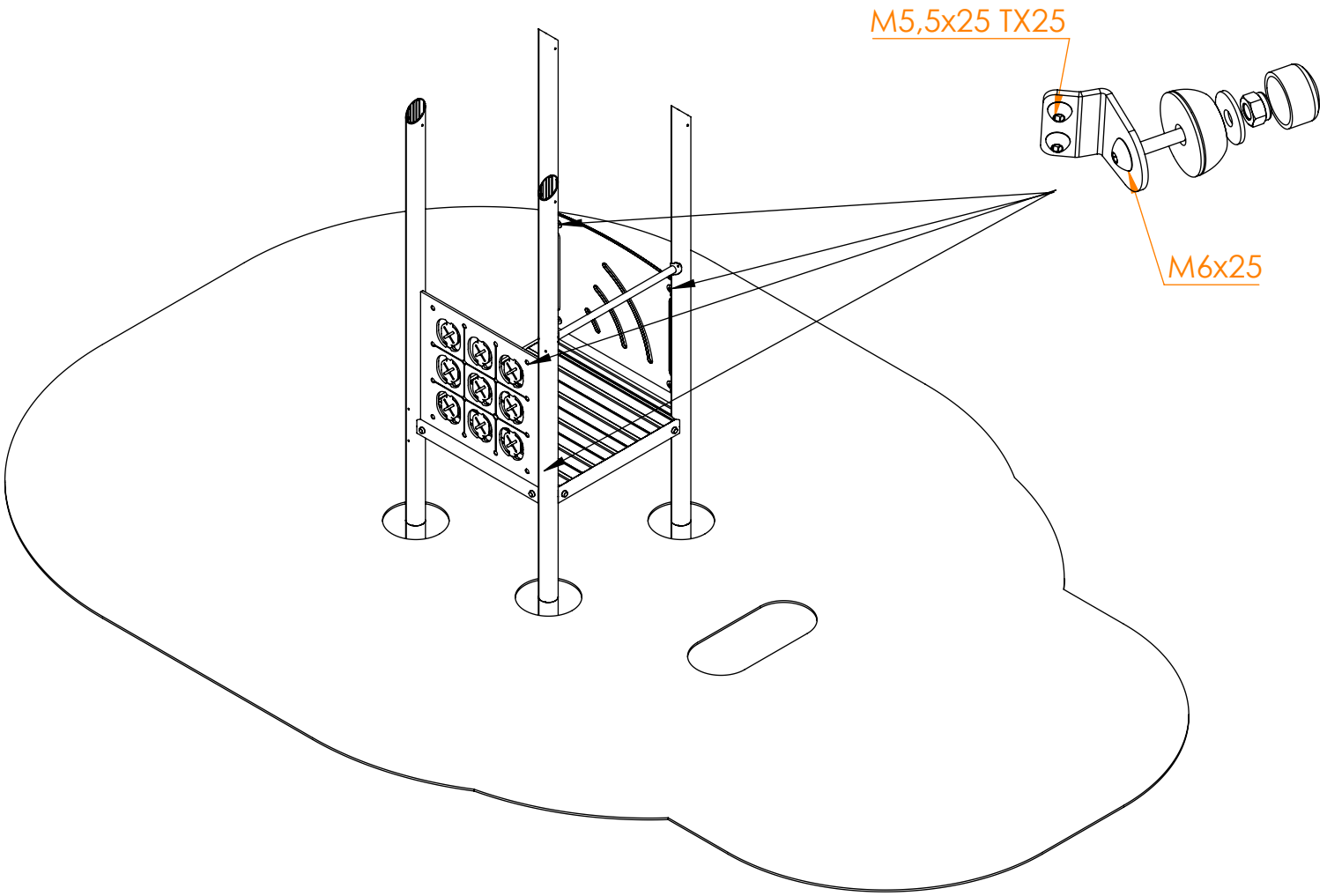
[cm]



**STEP1:** Set platforms and add rod and roof.



**STEP2:** Add plates.



**STEP3:** Add Slide and stair.

