

Product technical sheet

WOODEN WD1550



1 - 12 years



28 kids



33,3 m²



Material specification

- Construction made of the highest quality laminated, impregnated and double coated pine wood 90 x 90 mm without knots, secured from the top with polypropylene plugs,
- Metal anchors made of hot dip galvanized steel, protecting the wood from direct contact with the ground to prevent rot and to extend the product's life,
- Platforms and steps made of durable anti-slip and waterproof plywood or HPL plate,
- Structure for platforms made of hot-dip galvanized and powder coated steel;
- Side panels made of durable HDPE or HPL plate, resistant to weather conditions,
- Slides made of stainless steel with durable HDPE or HPL side panels,
- Educational panels and moving elements made of HDPE or HPL plate, resistant to weather conditions,
- Windows and/or elements made of polycarbonate,
- Music panels made of durable HDPE or HPL plate, resistant to weather conditions,
- Electronic playing elements in music panels loaded mechanically by spinning the handle,
- Dashboard and steering wheel made of durable HDPE plate, resistant to weather conditions,
- Double wall tube passage made of polypropylene,
- Steel ropes in polypropylene braid, connected with durable plastic elements, stainless steel or aluminum,
- Calibrated stainless steel chains, preventing fingers entrapment,
- Stainless steel bars,
- Screws covered with plastic caps and/or stainless steel screws,
- Safe end caps made of polypropylene,



Facilitating disability



easy access



mobility



handrails



integration



Intellectual development



manipulation



le sensoriel



music



thinking



Physical development



hiding



sliding



crawling





1
number of towers



1
number of slides



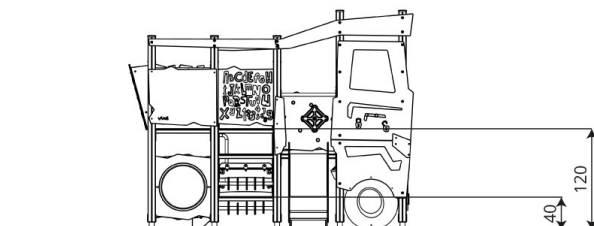
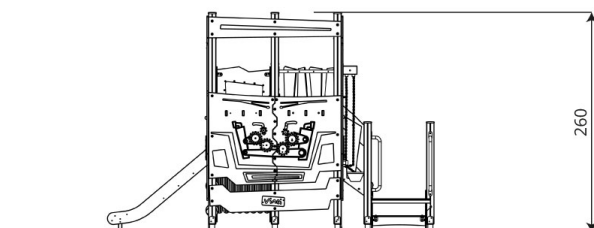
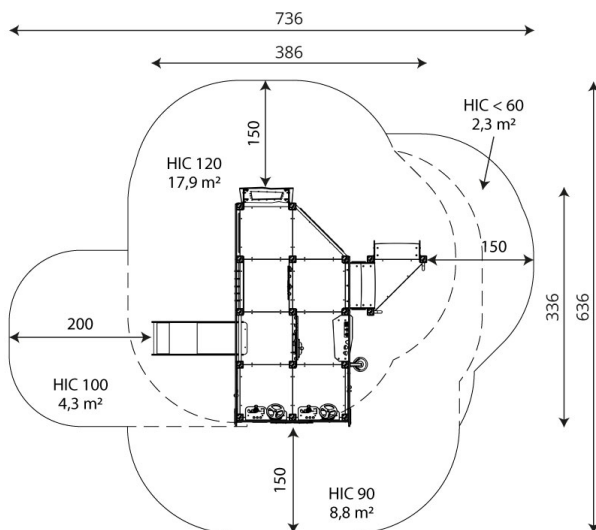
10
number of interactive elements



1
number of activity elements



stairs



Product technical sheet

WOODEN WD1550

Product data

Length	386 cm
Width	336 cm
Total height	260 cm
Age group	1 - 12 years
Number of users	28 kids
Safety zone	33,3 m2
Free fall height	90 cm
The height of the platforms	40, 90, 120 cm
In accordance with norm EN	1176-1:2017
Weight of the heaviest part	19 kg
Dimensions of the largest part	249x9x9 cm
Availability of spare parts	YES
Installation time	9,5 h
Color options	

Data is subject to change without prior notice.

Additional information

- equipment adapted for the disabled; intended for public playgrounds;
- equipment has a certificate issued by an accredited entity or a declaration of conformity;
- no sharp edges or chinks that would pose a danger of jimmieing the head, fingers or any other body parts;
- anchoring on flat surface, 80/70/60 cm deep;
- slide should not be installed southwards;
- render is for reference only, the actual appearance of the equipment and its color may vary;

Guarantee

30 30 year guarantee - Structural strength of steel and stainless steel components

15 15 year guarantee - Structural failure of steel and stainless steel, for dynamic equipment

10 10 year guarantee - Structural failure of high density polyethylene and high pressure laminates components

5 5 year guarantee - Corrosion of stainless steel and hot dip galvanized and powder coated components; against bark beetles and rot in case of wooden structural elements

Detailed information in the guarantee card

Vinci Group Sp. z o.o.
Seminarnyja 9 Street
99-400 Łowicz

VAT: 534-250-14-46
PHONE: +48 42 203 24 99 ext. 26
M: +48 793 404 991



biuro@vinci-play.com
info@vinci-play.com
www.vinci-play.com

Surfaces according to EN 1176-1:2017

	Description (mm)	Layer thickness (cm)	Maximum fall heights (cm)
Turf/ top layer of soil (A,B,C)	-	-	≤100
bark (A,C)	Particle size from 20 to 80	30	≤200
		40	≤300
woodchips (A,C)	Particle size from 5 to 30	30	≤200
		40	≤300
sand or gravel (A,C)	Particle size from 0,25 to 8	30	≤200
		40	≤300
synthetic attested (A,B,C)	Tested according to EN 1177		120

Product technical sheet

WOODEN WD1550

Amount of safe surface corresponding with free fall height:

HIC <60	2,3 m ²
HIC 90	8,8 m ²
HIC 100	4,3 m ²
HIC 120	17,9 m ²

Data is subject to change without prior notice.

