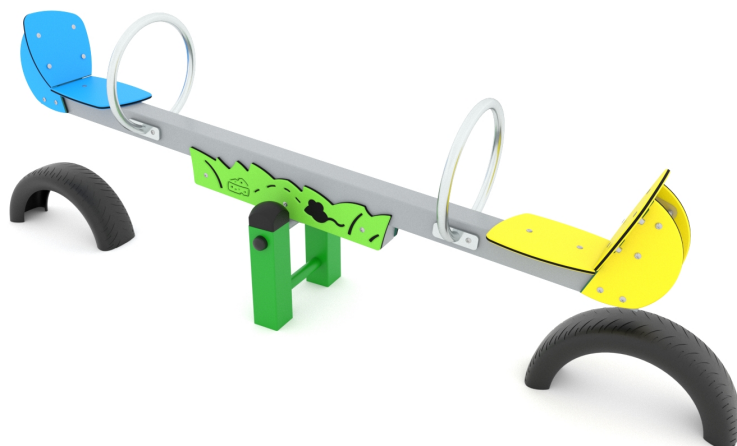


## SWING ST0522



1 - 8 years



2 kids



9,7 m<sup>2</sup>

### Material specification

- Stainless steel and hot-dip galvanized and powder coated steel construction,
- Colorful elements made of durable HDPE plate, resistant to weather conditions,
- Seats/backrests made of HDPE or HPL plates, resistant to weather conditions,
- Handles made of stainless steel,
- Stainless steel screws and/or screws covered with plastic caps,
- Safe end caps on top of the structure made of rubber or polypropylene,

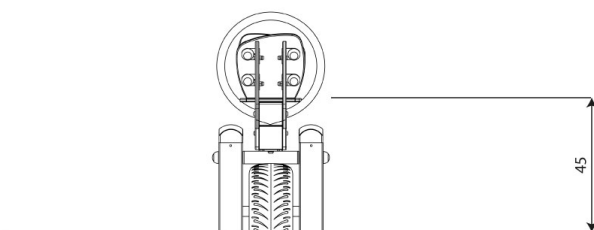
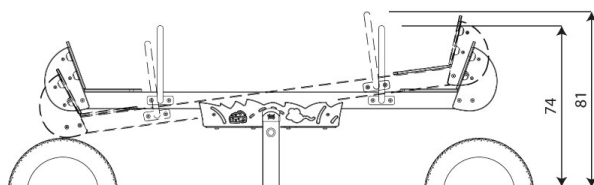
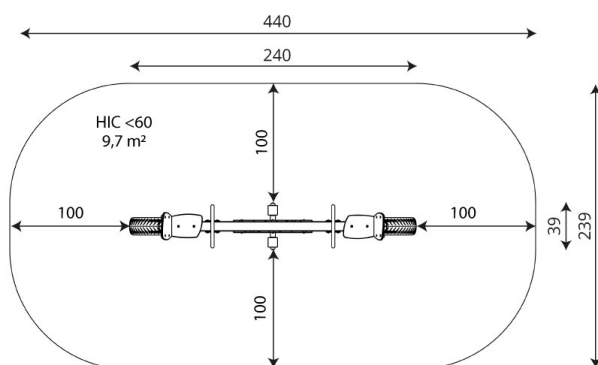


Physical development



rocking





## Product technical sheet

# SWING ST0522

### Product data

Length	240 cm
Width	39 cm
Total height	81 cm
Age group	1 - 8 years
Number of users	2 kids
Safety zone	9,7 m2
Free fall height	< 60 cm
In accordance with norm EN	1176-1:2017
Weight of the heaviest part	13 kg
Dimensions of the largest part	190x8x8 cm
Availability of spare parts	YES
Installation time	2 h
Color options	

Data is subject to change without prior notice.

### Additional information

- equipment intended for public playgrounds;
- equipment has a certificate issued by an accredited entity or a declaration of conformity;
- no sharp edges or chinks that would pose a danger of jimmie the head, fingers or any other body parts;
- anchoring on flat surface, 80/70/60 cm deep;
- render is for reference only, the actual appearance of the equipment and its color may vary;

## Guarantee

- 30** 30 year guarantee - Structural strength of steel and stainless steel components
- 15** 15 year guarantee - Structural failure of steel and stainless steel, for dynamic equipment
- 10** 10 year guarantee - Structural failure of high density polyethylene and high pressure laminates components
- 5** 5 year guarantee - Corrosion of stainless steel and hot dip galvanized and powder coated components; against bark beetles and rot in case of wooden structural elements

Detailed information in the guarantee card



# SWING ST0522

## Surfaces according to EN 1176-1:2017

	Description (mm)	Layer thickness (cm)	Maximum fall heights (cm)
Turf/ top layer of soil (A,B,C)	-	-	≤100
bark (A,C)	Particle size from 20 to 80	30	≤200
		40	≤300
woodchips (A,C)	Particle size from 5 to 30	30	≤200
		40	≤300
sand or gravel (A,C)	Particle size from 0,25 to 8	30	≤200
		40	≤300
synthetic attested (A,B,C)	Tested according to EN 1177		60

### Amount of safe surface corresponding with free fall height:

HIC <60 9,7 m<sup>2</sup>

Data is subject to change without prior notice.

