

STEEL+ 1736



3 - 14 years



24 kids



37,9 m²



Material specification

- Powder galvanized and powder coated or stainless steel construction of 80 x 80 mm profile,
- Platforms and steps made of durable anti-slip and waterproof HPL plate,
- Side panels made of durable HDPE plate, resistant to weather conditions
- Slides made of stainless steel with durable HDPE side panels,
- Moving elements made of durable HDPE plate, resistant to weather conditions,
- Spherical windows made of polycarbonate,
- Music panels made of durable HDPE and HPL plate, resistant to weather conditions,
- Telescope made of stainless steel and durable HDPE plate, resistant to weather conditions,
- Flags and rudders made of durable HDPE plate, resistant to weather conditions,
- Double wall tube passage made of polypropylene,
- Steel ropes in polypropylene braid, connected with durable plastic elements, stainless steel or aluminum,
- Calibrated stainless steel chains, preventing fingers entrapment,
- Stainless steel bars and handrails,
- Screws covered with plastic caps and/or stainless steel screws,
- Safe end caps on the top of the bar, made of durable HDPE plate, resistant to weather conditions,



Facilitating disability



easy access



mobility



handrails



integration



Intellectual development



manipulation



le sensoriel



music



sight



thinking



Physical development



sliding



climbing



crawling





2
number of towers



1
number of slides



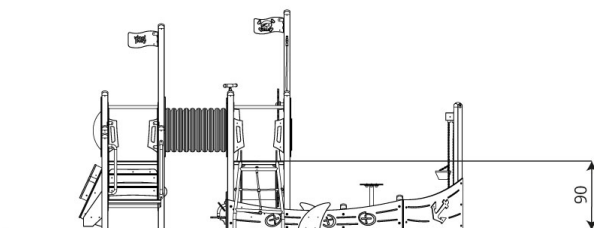
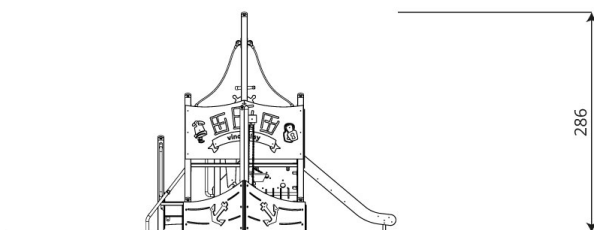
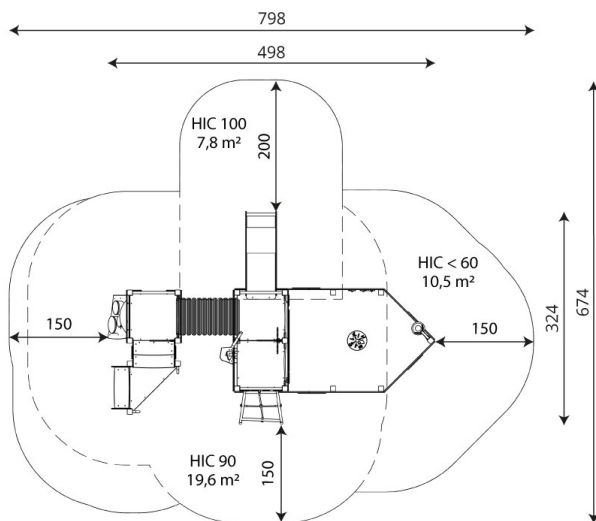
8
number of interactive elements



3
number of activity elements



stairs



Product technical sheet

STEEL+ 1736

Product data

Length	498 cm
Width	324 cm
Total height	286 cm
Age group	3 - 14 years
Number of users	24 kids
Safety zone	37,9 m2
Free fall height	90 cm
The height of the platforms	90 cm
slide platform height	90 cm
In accordance with norm EN	1176-1:2017
Weight of the heaviest part	16 kg
Dimensions of the largest part	335x8x8 cm
Availability of spare parts	YES
Installation time	11,5 h

Color options

Data is subject to change without prior notice.

Additional information

- equipment adapted for the disabled; intended for public playgrounds;
- equipment has a certificate issued by an accredited entity or a declaration of conformity;
- no sharp edges or chinks that would pose a danger of jimming the head, fingers or any other body parts;
- anchoring on flat surface, 80/70/60 cm deep;
- slide should not be installed southwards;
- render is for reference only, the actual appearance of the equipment and its color may vary;

Guarantee

30 30 year guarantee - Structural strength of steel and stainless steel components

15 15 year guarantee - Structural failure of steel and stainless steel, for dynamic equipment

10 10 year guarantee - Structural failure of high density polyethylene and high pressure laminates components

5 5 year guarantee - Corrosion of stainless steel and hot dip galvanized and powder coated components; against bark beetles and rot in case of wooden structural elements

Detailed information in the guarantee card

Vinci Group Sp. z o.o.
Seminaryjna 9 Street
99-400 Łowicz

VAT: 534-250-14-46
PHONE: +48 42 203 24 99 ext. 26
M: +48 793 404 991



biuro@vinci-play.com
info@vinci-play.com
www.vinci-play.com

Surfaces according to EN 1176-1:2017

	Description (mm)	Layer thickness (cm)	Maximum fall heights (cm)
Turf/ top layer of soil (A,B,C)	-	-	≤100
bark (A,C)	Particle size from 20 to 80	30	≤200
		40	≤300
woodchips (A,C)	Particle size from 5 to 30	30	≤200
		40	≤300
sand or gravel (A,C)	Particle size from 0,25 to 8	30	≤200
		40	≤300
synthetic attested (A,B,C)	Tested according to EN 1177		100

Product technical sheet

STEEL+ 1736

Amount of safe surface corresponding with free fall height:

HIC <60 10,5 m²

HIC 90 19,6 m²

HIC 100 7,8 m²

Data is subject to change without prior notice.

