



Product technical sheet

STEEL+ 1730-1



4 - 14 years



46 kids



51,1 m²



Material specification

- Powder galvanized and powder coated or stainless steel construction of 80 x 80 mm profile,
- Platforms and climbing walls made of durable anti-slip and waterproof HPL plate,
- Roofs and side panels made of durable HDPE plate, resistant to weather conditions,
- Transparent polycarbonate panels with a permanent print resistant to scratches and weather conditions
- Covers made of hot-dip galvanized and powder coated steel mesh,
- Slides made of stainless steel with durable HDPE side panels,
- Stainless steel tube slide,
- Educational panels and moving elements made of HDPE plate, resistant to weather conditions,
- Maze windows made of polycarbonate, balls made of synthetic material,
- Music panels made of durable HDPE and HPL plate, resistant to weather conditions,
- Durable climbing stones made of polyester resin composite with mineral fillers,
- Steel ropes in polypropylene braid, connected with durable plastic elements, stainless steel or aluminum,
- Attested, safe seats,
- Calibrated stainless steel chains, preventing fingers entrapment,
- Stainless steel bars and handrails,
- Stainless steel screws and/or screws covered with plastic caps,
- Safe end caps on top of the structure made of rubber or polypropylene,



Facilitating disability



easy access



shelters



integration



Intellectual development



manipulation



music



thinking



Physical development



hiding



sliding



rest



climbing



crawling



roofs





1
number of towers



2
number of slides



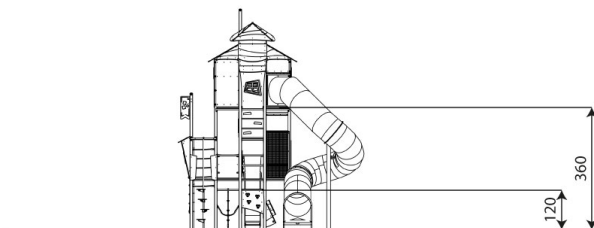
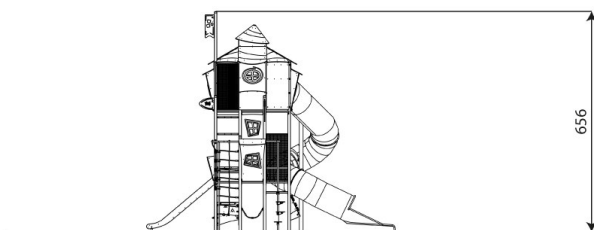
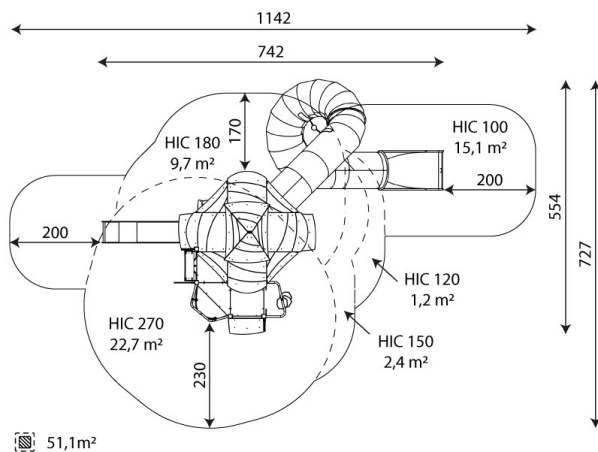
5
number of roofs



3
number of interactive elements



6
number of activity elements



Product technical sheet

STEEL+ 1730-1

Product data

Length	742 cm
Width	554 cm
Total height	656 cm
Age group	4 - 14 years
Number of users	46 kids
Safety zone	51,1 m ²
Free fall height	270 cm
The height of the platforms	120, 150, 180, 270, 360 cm
tube slide platform height	360 cm
slide platform height	150 cm
In accordance with norm EN	1176-1:2017
Weight of the heaviest part	155 kg
Dimensions of the largest part	8x8x583 cm
Availability of spare parts	YES
Installation time	24 h
Color options	

Data is subject to change without prior notice.

Additional information

- equipment adapted for the disabled; intended for public playgrounds;
- equipment has a certificate issued by an accredited entity or a declaration of conformity;
- no sharp edges or chinks that would pose a danger of jimmie the head, fingers or any other body parts;
- anchoring on flat surface, 80/70/60 cm deep;
- slide should not be installed southwards;
- render is for reference only, the actual appearance of the equipment and its color may vary;

Guarantee

30

30 year guarantee - Structural strength of steel and stainless steel components

15

15 year guarantee - Structural failure of steel and stainless steel, for dynamic equipment

10

10 year guarantee - Structural failure of high density polyethylene and high pressure laminates components

5

5 year guarantee - Corrosion of stainless steel and hot dip galvanized and powder coated components; against bark beetles and rot in case of wooden structural elements

Detailed information in the guarantee card

Vinci Group Sp. z o.o.
Seminarnyja 9 Street
99-400 Łowicz

VAT: 534-250-14-46
PHONE: +48 42 203 24 99 ext. 26
M: +48 793 404 991



biuro@vinci-play.com
info@vinci-play.com
www.vinci-play.com

Surfaces according to EN 1176-1:2017

	Description (mm)	Layer thickness (cm)	Maximum fall heights (cm)
Turf/ top layer of soil (A,B,C)	-	-	≤100
bark (A,C)	Particle size from 20 to 80	30	≤200
		40	≤300
woodchips (A,C)	Particle size from 5 to 30	30	≤200
		40	≤300
sand or gravel (A,C)	Particle size from 0,25 to 8	30	≤200
		40	≤300
synthetic attested (A,B,C)	Tested according to EN 1177		270

Product technical sheet

STEEL+ 1730-1

Amount of safe surface corresponding with free fall height:

HIC 100	15,1 m ²
---------	---------------------

HIC 120	1,2 m ²
---------	--------------------

HIC 150	2,4 m ²
---------	--------------------

HIC 180	9,7 m ²
---------	--------------------

HIC 270	22,7 m ²
---------	---------------------

Data is subject to change without prior notice.

