

**Product technical sheet**

**SOLO 1722**



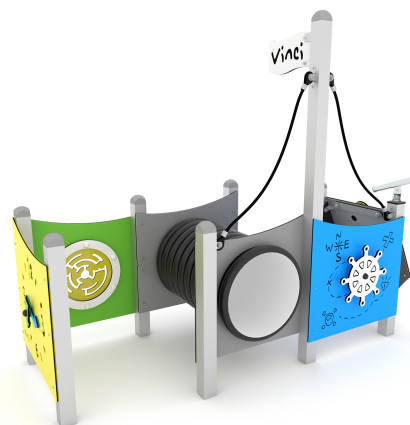
1 - 8 years



6 kids



20,2 m<sup>2</sup>



**Material specification**

- Powder galvanized and powder coated or stainless steel construction of 80 x 80 mm profile,
- Side panels made of durable HDPE plate, resistant to weather conditions
- Educational panels made of HDPE plate, resistant to weather conditions,
- Maze made of durable HDPE plate, resistant to weather conditions, and transparent polycarbonate, balls made of synthetic material
- Music panels made of durable HDPE and HPL plate, resistant to weather conditions,
- Telescope made of stainless steel and durable HDPE plate, resistant to weather conditions,
- Flags and rudders made of durable HDPE plate, resistant to weather conditions,
- Double wall tube passage made of polypropylene,
- Steel ropes in polypropylene braid, connected with durable aluminum, stainless steel and/or plastic elements,
- Stainless steel screws and/or screws covered with plastic caps,
- Safe end caps on top of the structure made of rubber or polypropylene,



**Facilitating disability**



sound stimulation



easy access



integration



**Intellectual development**



manipulation



music



sight



thinking



**Physical development**



hiding



crawling





**5**

number of interactive elements



**1**

number of activity elements

**Product technical sheet**

**SOLO 1722**

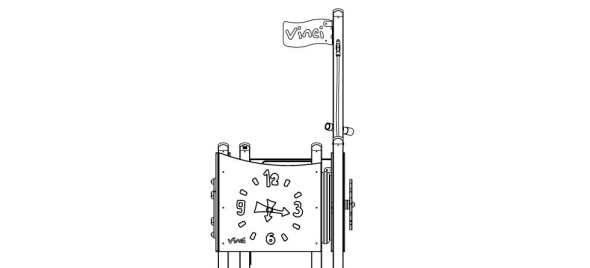
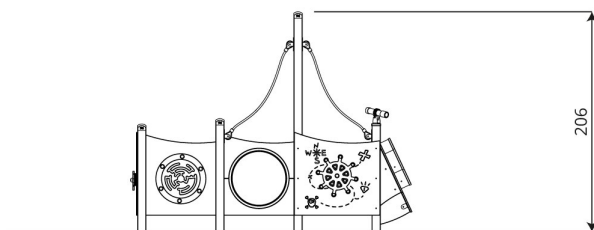
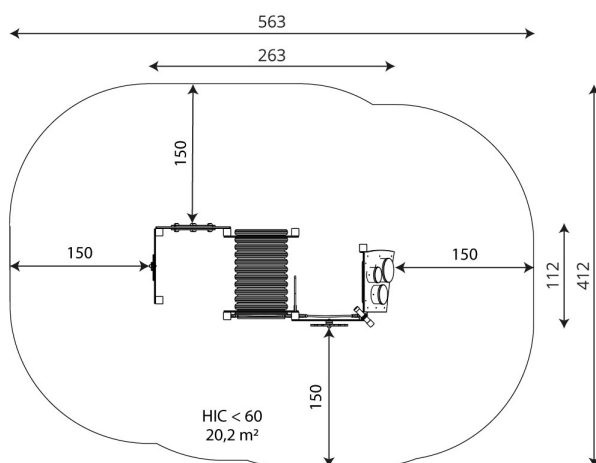
**Product data**

Length	263 cm
Width	112 cm
Total height	206 cm
Age group	1 - 8 years
Number of users	6 kids
Safety zone	20,2 m <sup>2</sup>
Free fall height	<60 cm
In accordance with norm EN	1176-1:2017
Weight of the heaviest part	13 kg
Dimensions of the largest part	255x8x8 cm
Availability of spare parts	YES
Installation time	4 h
Color options	

Data is subject to change without prior notice.

**Additional information**

- equipment adapted for the disabled; intended for public playgrounds;
- equipment has a certificate issued by an accredited entity or a declaration of conformity;
- no sharp edges or chinks that would pose a danger of jimmie the head, fingers or any other body parts;
- anchoring on flat surface, 80/70/60 cm deep;
- render is for reference only, the actual appearance of the equipment and its color may vary;



**Guarantee**

**30**

30 year guarantee - Structural strength of steel and stainless steel components

**15**

15 year guarantee - Structural failure of steel and stainless steel, for dynamic equipment

**10**

10 year guarantee - Structural failure of high density polyethylene and high pressure laminates components

**5**

5 year guarantee - Corrosion of stainless steel and hot dip galvanized and powder coated components; against bark beetles and rot in case of wooden structural elements

Detailed information in the guarantee card



# SOLO 1722

## Surfaces according to EN 1176-1:2017

	Description (mm)	Layer thickness (cm)	Maximum fall heights (cm)
Turf/ top layer of soil (A,B,C)	-	-	≤100
bark (A,C)	Particle size from 20 to 80	30	≤200
		40	≤300
woodchips (A,C)	Particle size from 5 to 30	30	≤200
		40	≤300
sand or gravel (A,C)	Particle size from 0,25 to 8	30	≤200
		40	≤300
synthetic attested (A,B,C)	Tested according to EN 1177		60

### Amount of safe surface corresponding with free fall height:

HIC <60 20,2 m<sup>2</sup>

Data is subject to change without prior notice.

