

Product technical sheet

SOLO 0841



1 - 8 years



13 kids



29,4 m²



Material specification

- Hot-dip galvanized and stainless steel construction elements,
- Platforms made of durable anti-slip and waterproof HPL plate,
- Side panels made of durable HDPE plate, resistant to weather conditions
- Slides made of stainless steel,
- Drawing board made of durable HPL plate, resistant to weather conditions,
- Double wall tube passage made of polypropylene,
- Seats made of durable HDPE plate, resistant to weather conditions,
- Stainless steel bars,
- Screws covered with plastic caps and/or stainless steel screws,



Facilitating disability



easy access



integration



Intellectual development



manipulation



thinking



Physical development



sliding



climbing



crawling





1
number of
slides



5
number of
interactive
elements



1
number of activity
elements

Product technical sheet

SOLO 0841

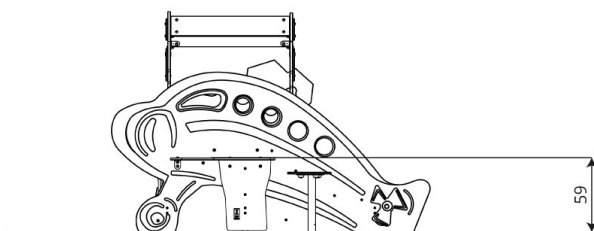
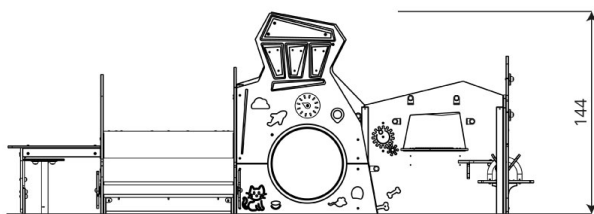
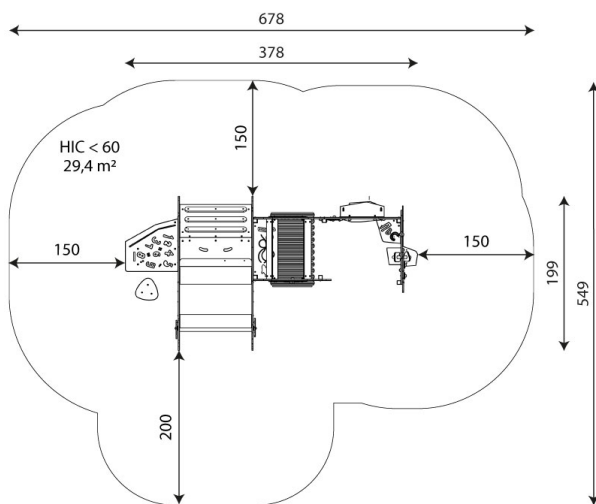
Product data

Length	378 cm
Width	199 cm
Total height	144 cm
Age group	1 - 8 years
Number of users	13 kids
Safety zone	29,4 m2
Free fall height	<60 cm
The height of the platforms	59 cm
In accordance with norm EN	1176-1:2017
Weight of the heaviest part	92 kg
Dimensions of the largest part	211x100x100 cm
Availability of spare parts	YES
Installation time	5,5 h

Data is subject to change without prior notice.

Additional information

- equipment adapted for the disabled; intended for public playgrounds;
- equipment has a certificate issued by an accredited entity or a declaration of conformity;
- no sharp edges or chinks that would pose a danger of jimmie the head, fingers or any other body parts;
- anchoring on flat surface, 80/70/60 cm deep;
- slide should not be installed southwards;
- render is for reference only, the actual appearance of the equipment and its color may vary;



Guarantee

30

30 year guarantee - Structural strength of steel and stainless steel components

15

15 year guarantee - Structural failure of steel and stainless steel, for dynamic equipment

10

10 year guarantee - Structural failure of high density polyethylene and high pressure laminates components

5

5 year guarantee - Corrosion of stainless steel and hot dip galvanized and powder coated components; against bark beetles and rot in case of wooden structural elements

Detailed information in the guarantee card



Surfaces according to EN 1176-1:2017

	Description (mm)	Layer thickness (cm)	Maximum fall heights (cm)
Turf/ top layer of soil (A,B,C)	-	-	≤100
bark (A,C)	Particle size from 20 to 80	30	≤200
		40	≤300
woodchips (A,C)	Particle size from 5 to 30	30	≤200
		40	≤300
sand or gravel (A,C)	Particle size from 0,25 to 8	30	≤200
		40	≤300
synthetic attested (A,B,C)	Tested according to EN 1177		100

Product technical sheet

SOLO 0841

Amount of safe surface corresponding with free fall height:

HIC <60 20,1 m²

HIC 100 9,3 m²

Data is subject to change without prior notice.

