

**Product technical sheet**

**SOLO 0840**



1 - 8 years



7 kids



14,2 m<sup>2</sup>



**Material specification**

- Hot-dip galvanized steel construction,
- Platforms made of durable anti-slip and waterproof HPL plate,
- Side panels made of durable HDPE plate, resistant to weather conditions
- Colorful elements made of durable HDPE plate, resistant to weather conditions,
- Drawing board made of durable HPL plate, resistant to weather conditions,
- Stainless steel bars,
- Screws covered with plastic caps and/or stainless steel screws,



**Facilitating disability**



easy access



integration



**Intellectual development**



manipulation



thinking



**Physical development**



climbing





5

number of interactive elements



1

number of activity elements

## Product technical sheet

# SOLO 0840

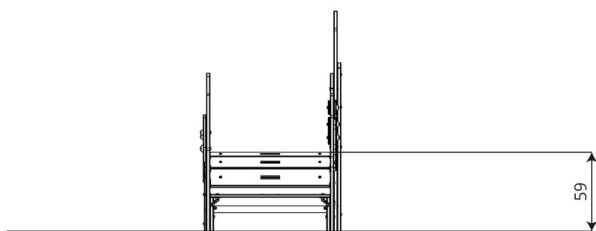
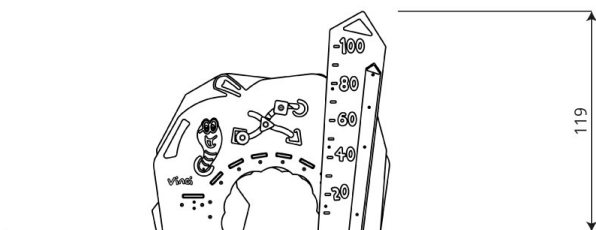
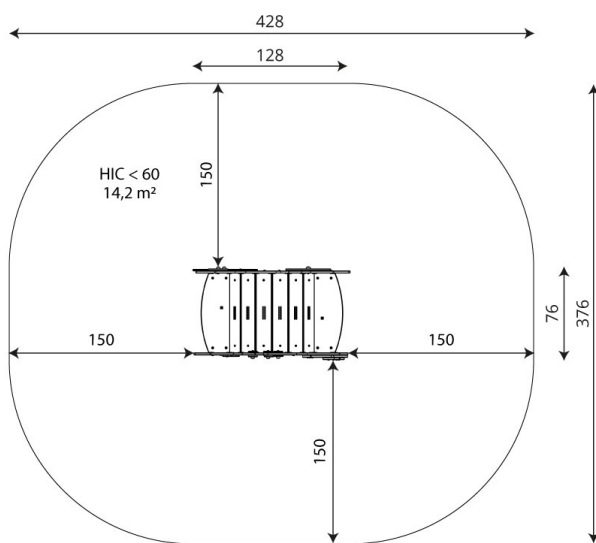
### Product data

|                                |                     |
|--------------------------------|---------------------|
| Length                         | 128 cm              |
| Width                          | 76 cm               |
| Total height                   | 119 cm              |
| Age group                      | 1 - 8 years         |
| Number of users                | 7 kids              |
| Safety zone                    | 14,2 m <sup>2</sup> |
| Free fall height               | <60 cm              |
| The height of the platforms    | 59 cm               |
| In accordance with norm EN     | 1176-1:2017         |
| Weight of the heaviest part    | 14 kg               |
| Dimensions of the largest part | 126x90x2 cm         |
| Availability of spare parts    | YES                 |
| Installation time              | 2 h                 |

Data is subject to change without prior notice.

### Additional information

- equipment adapted for the disabled; intended for public playgrounds;
- equipment has a certificate issued by an accredited entity or a declaration of conformity;
- no sharp edges or chinks that would pose a danger of jimmieing the head, fingers or any other body parts;
- anchoring on flat surface, 80/70/60 cm deep;
- render is for reference only, the actual appearance of the equipment and its color may vary;



### Guarantee

30

30 year guarantee - Structural strength of steel and stainless steel components

15

15 year guarantee - Structural failure of steel and stainless steel, for dynamic equipment

10

10 year guarantee - Structural failure of high density polyethylene and high pressure laminates components

5

5 year guarantee - Corrosion of stainless steel and hot dip galvanized and powder coated components; against bark beetles and rot in case of wooden structural elements

Detailed information in the guarantee card



# SOLO 0840

## Surfaces according to EN 1176-1:2017

|                                 | Description (mm)             | Layer thickness (cm) | Maximum fall heights (cm) |
|---------------------------------|------------------------------|----------------------|---------------------------|
| Turf/ top layer of soil (A,B,C) | -                            | -                    | ≤100                      |
| bark (A,C)                      | Particle size from 20 to 80  | 30                   | ≤200                      |
|                                 |                              | 40                   | ≤300                      |
| woodchips (A,C)                 | Particle size from 5 to 30   | 30                   | ≤200                      |
|                                 |                              | 40                   | ≤300                      |
| sand or gravel (A,C)            | Particle size from 0,25 to 8 | 30                   | ≤200                      |
|                                 |                              | 40                   | ≤300                      |
| synthetic attested (A,B,C)      | Tested according to EN 1177  |                      | 60                        |

### Amount of safe surface corresponding with free fall height:

HIC <60 14,2 m<sup>2</sup>

Data is subject to change without prior notice.

