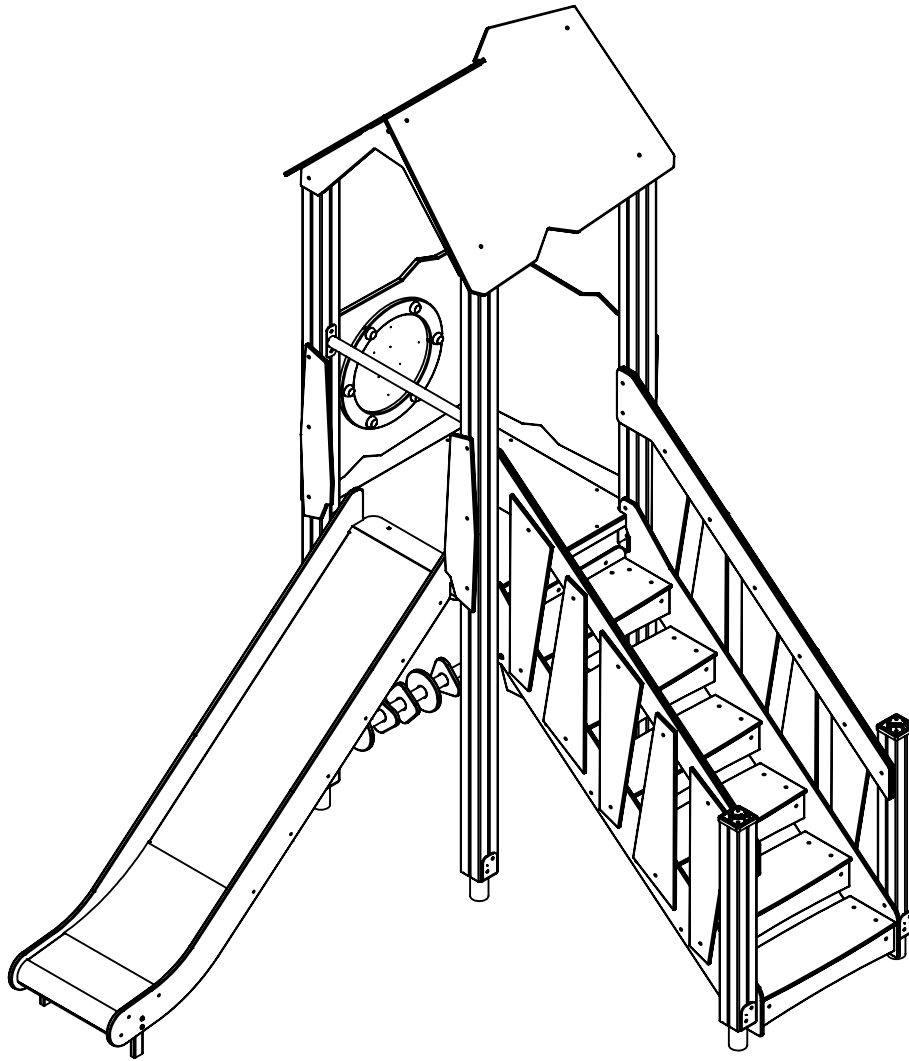
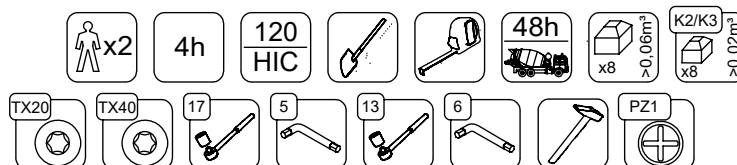


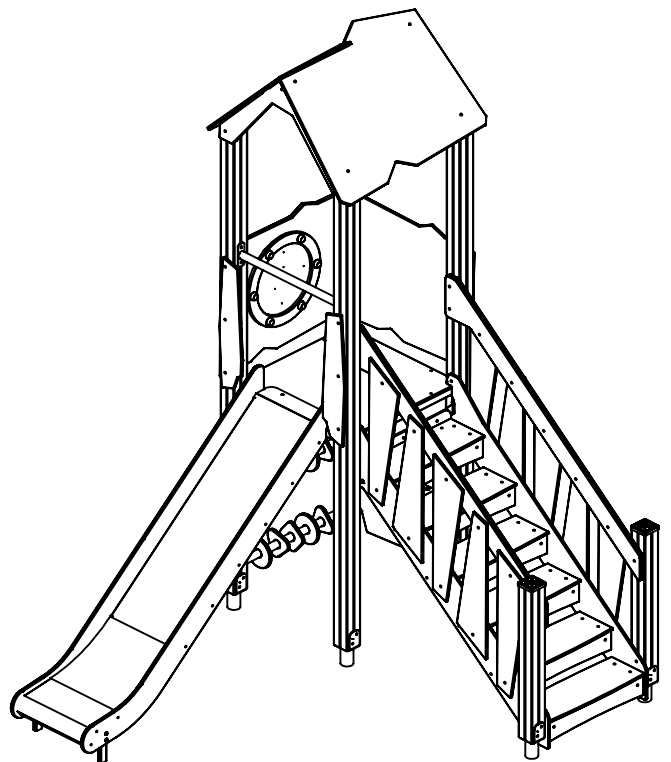
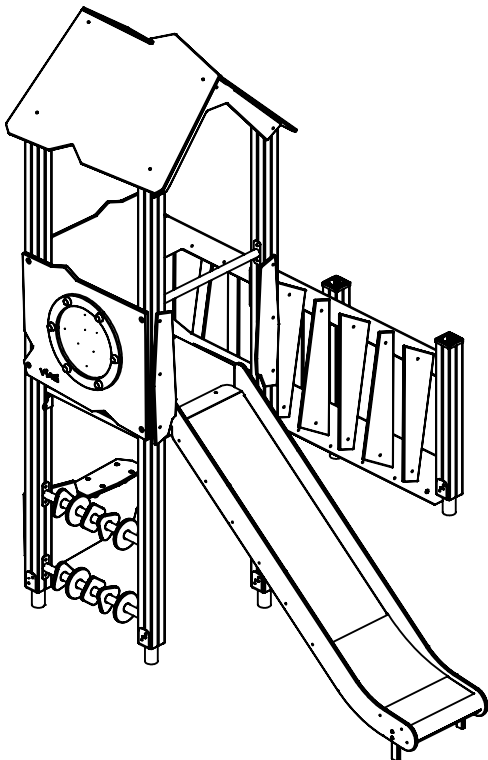
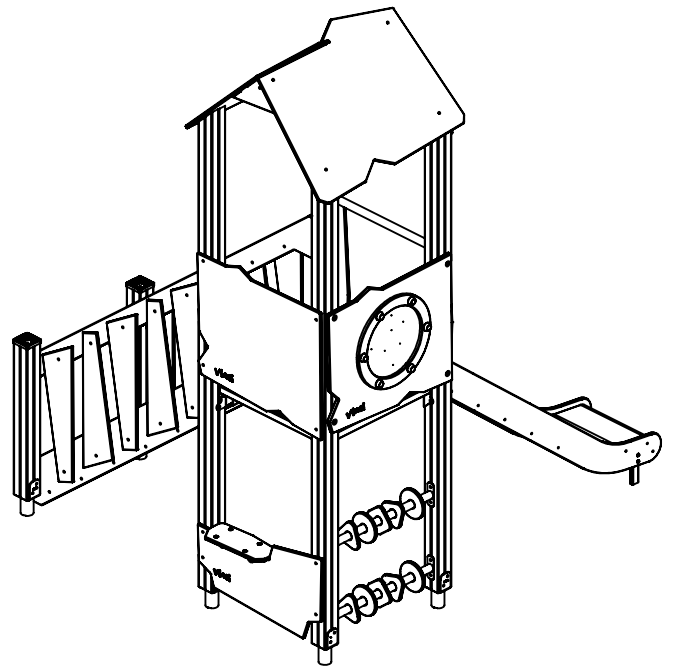
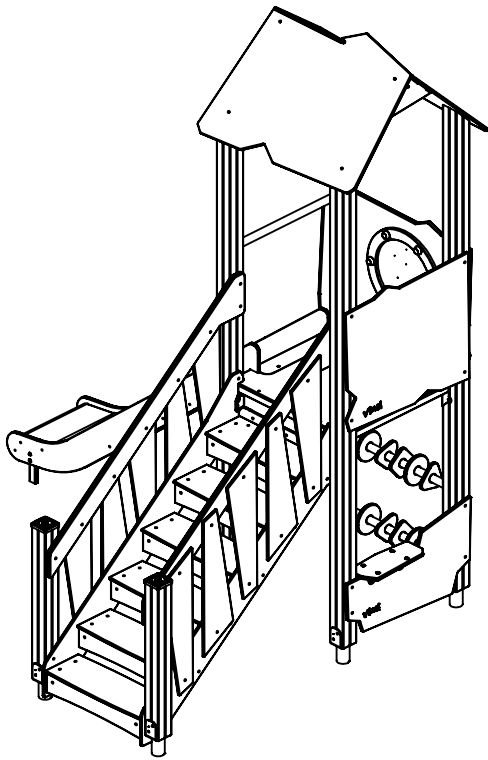
WD1502

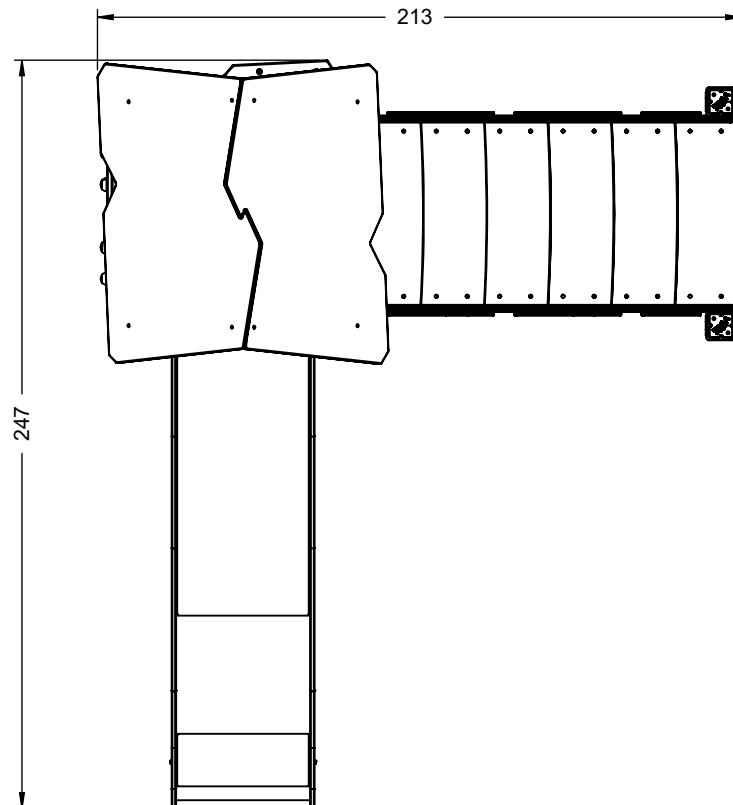
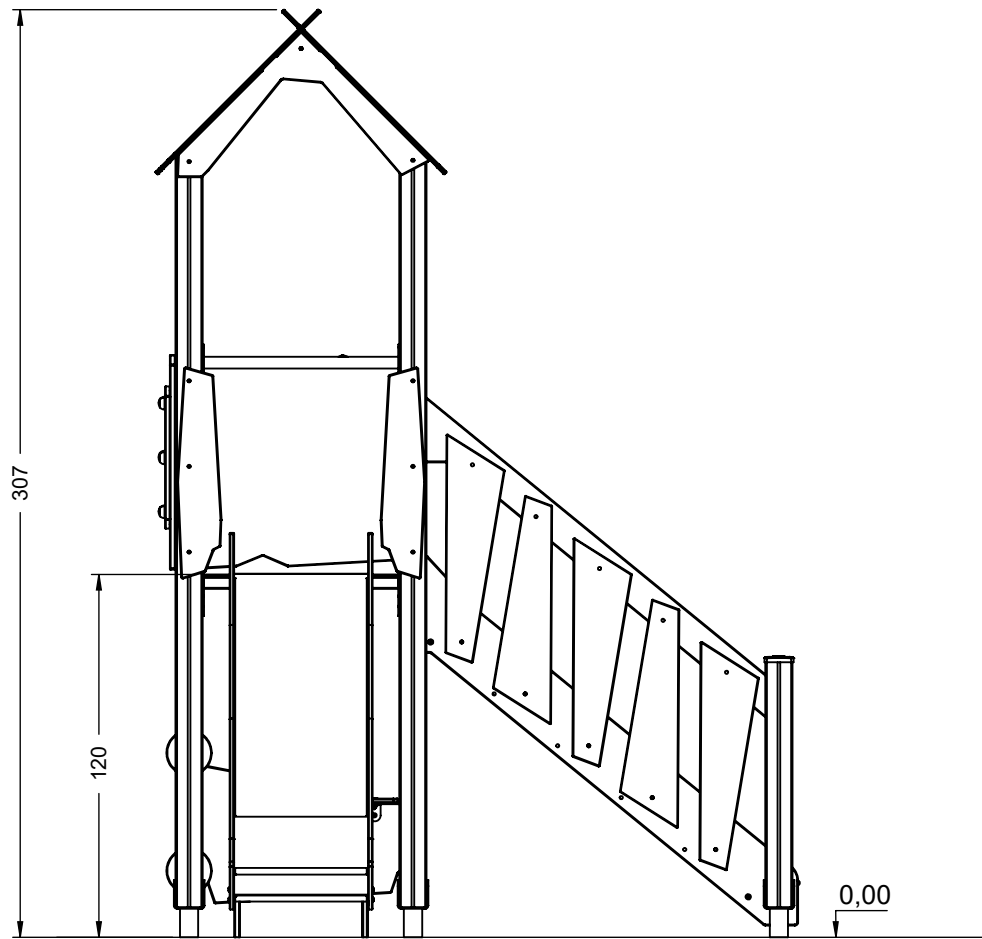


v012
22.04.2022
D. P.
[cm]



vinci
play

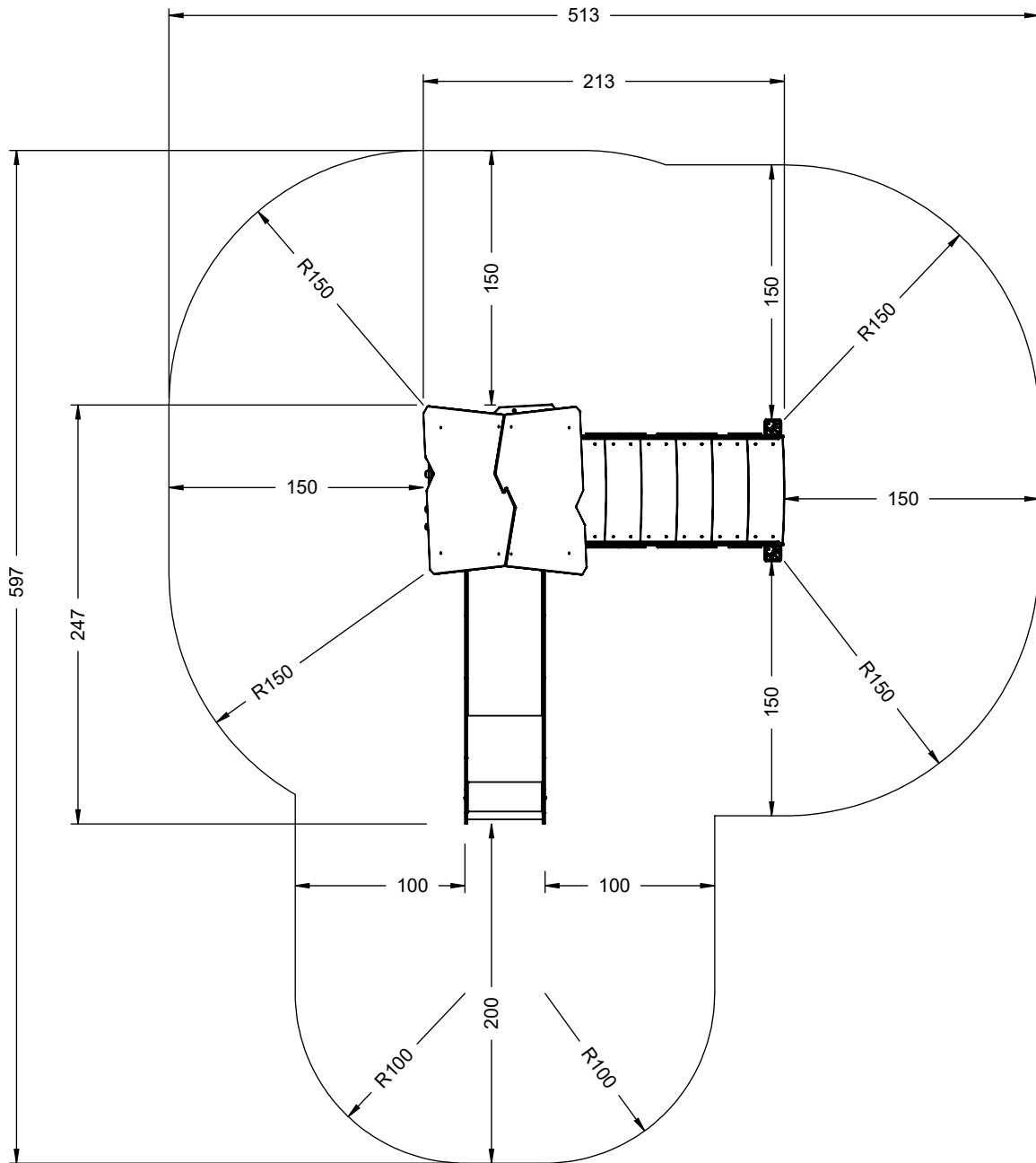




[cm]



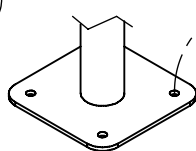
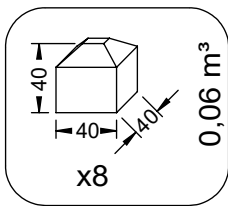
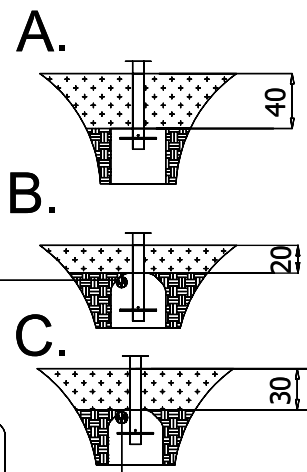
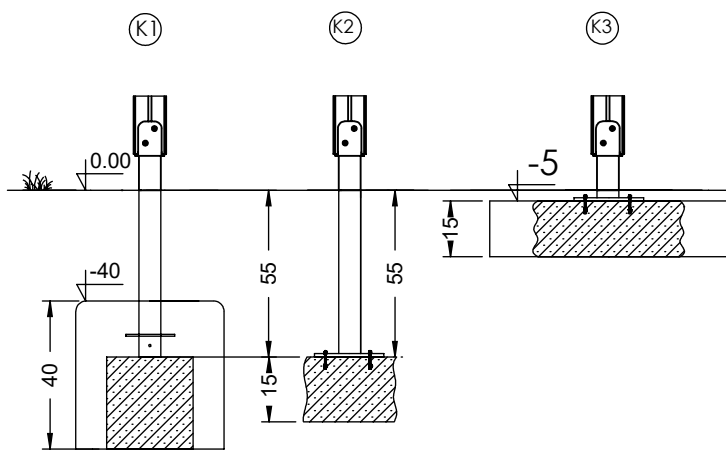
vinci
play



[cm]



vinci
play

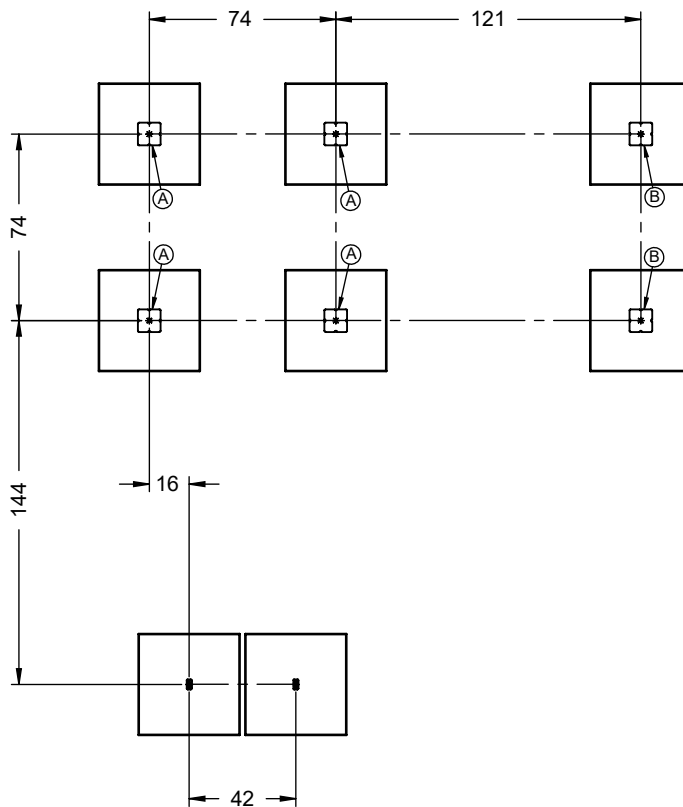


24x M10x120 (K2)
26x M10x120 (K3)

NOT INCLUDED

2x M8x120 (K2)

NOT INCLUDED

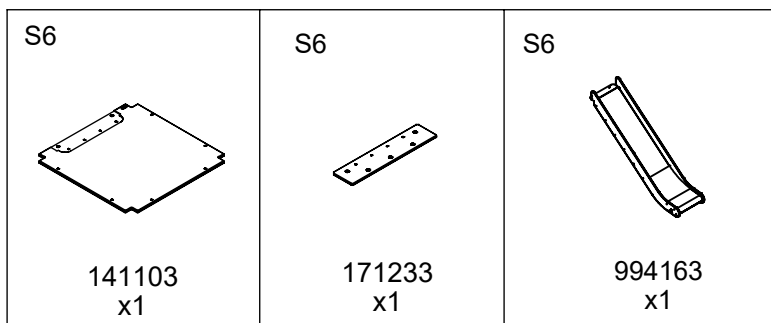
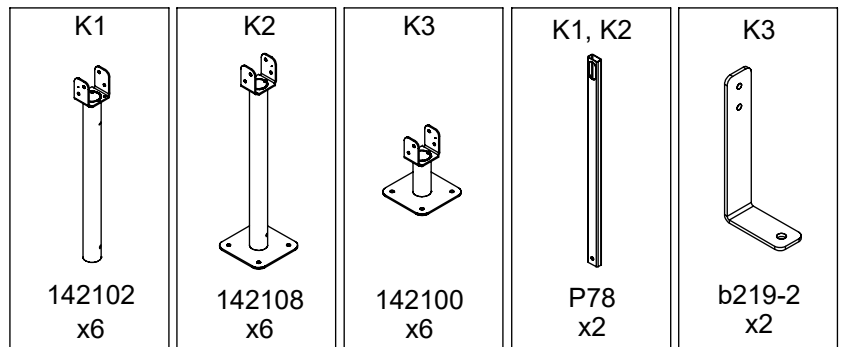
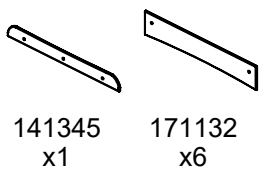
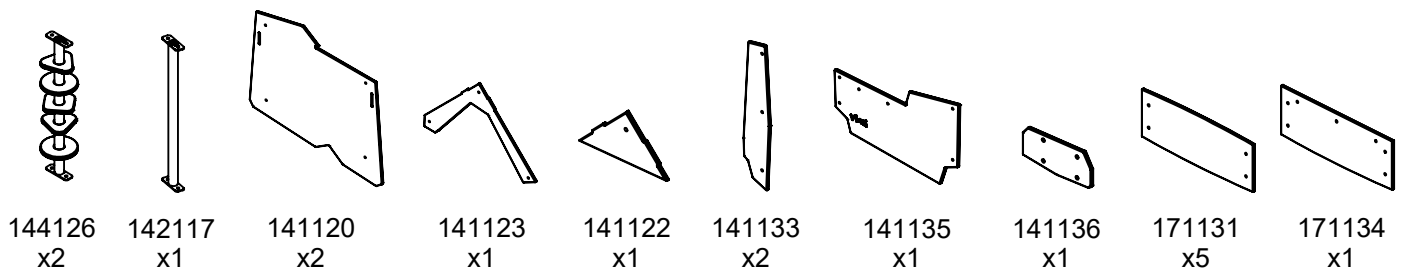
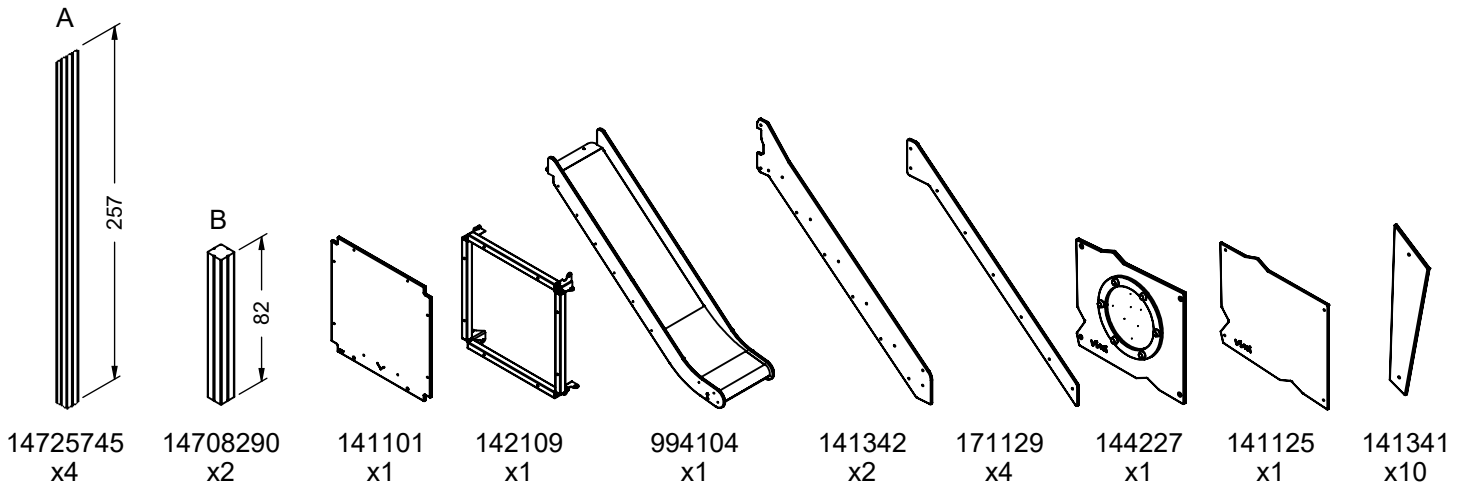


[cm]

x2
 4h

 48h
 x8 >0,06m³
 x8 >0,02m³

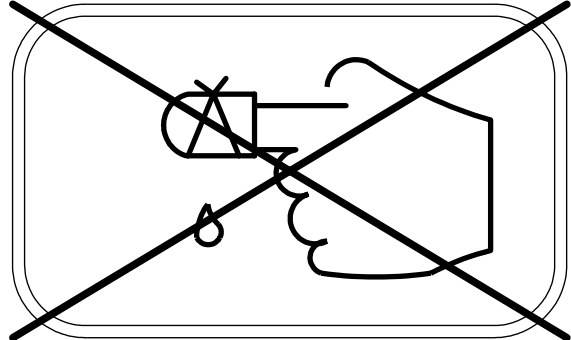
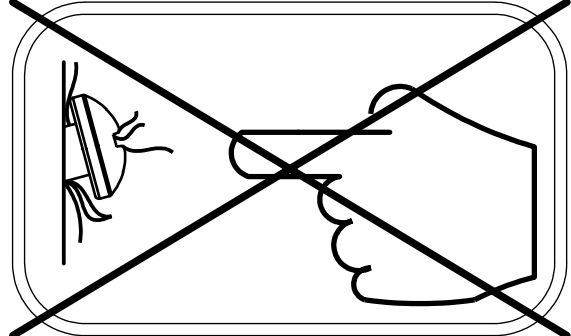
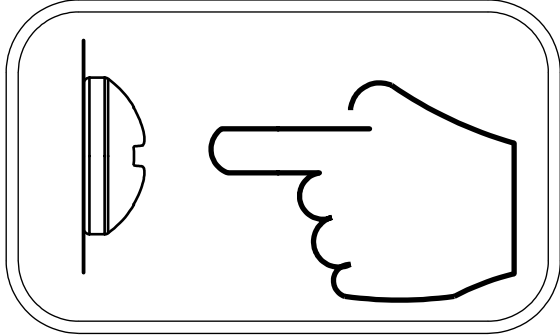
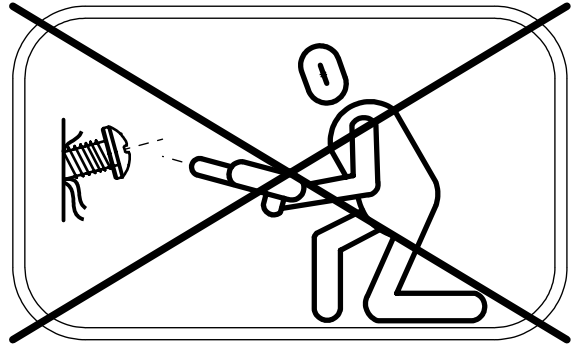
vinci
play

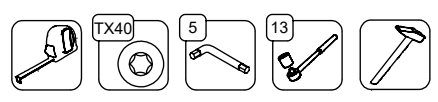
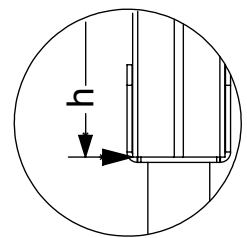
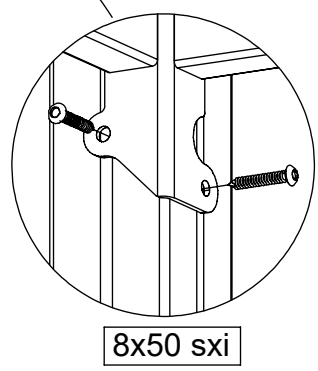
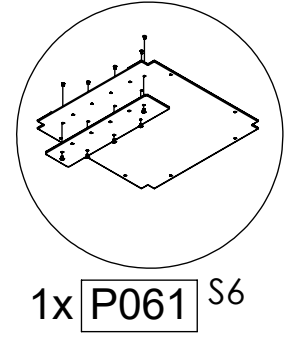
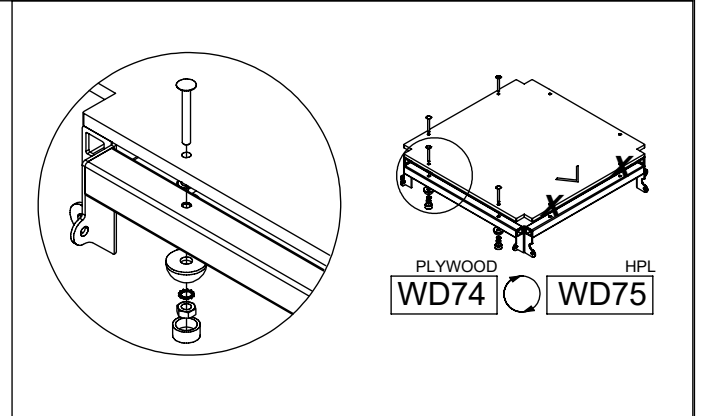
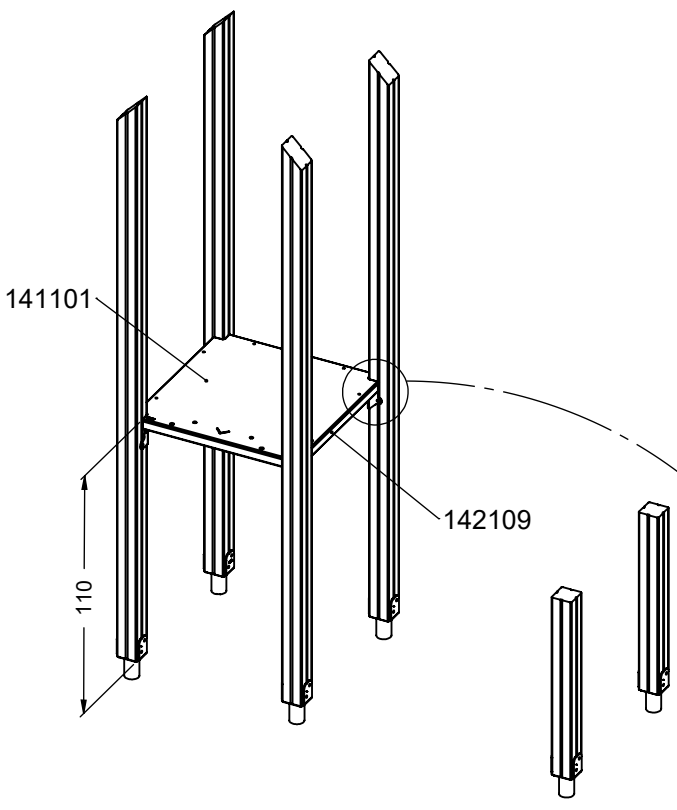
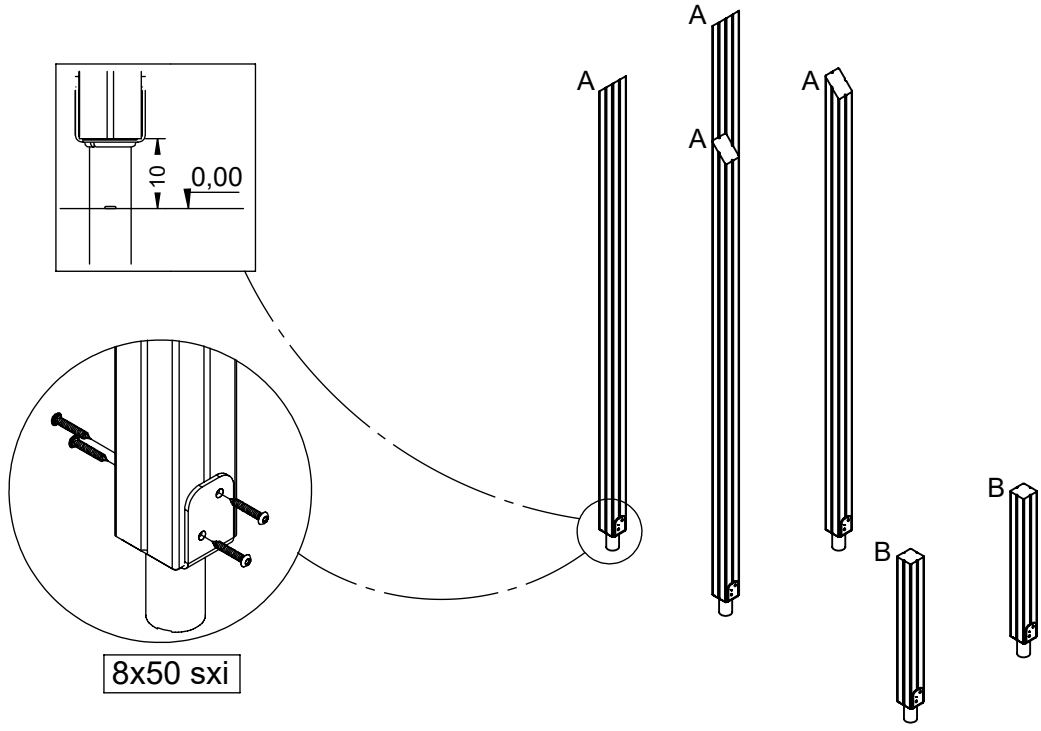


		PLYWOOD / HDPE		HPL	
76x	8x50 sxi	1x	WD74	1x	WD75
6x	8x80 sxt	2x	WD138	2x	WD138
1x	E34 (K1,K3)	1x	WD103	1x	WD103
1x	E35 (K2)	1x	WD28 (S1)	1x	WD29 (S1)
1x	WD91	1x	WD113 (S6)	1x	WD114 (S6)
2x	WD1	6x	WD97	6x	WD97
1x	V001	1x	CE6	1x	CL6
1x		1x	WD33	1x	WD34
				1x	P061 S6

[cm]

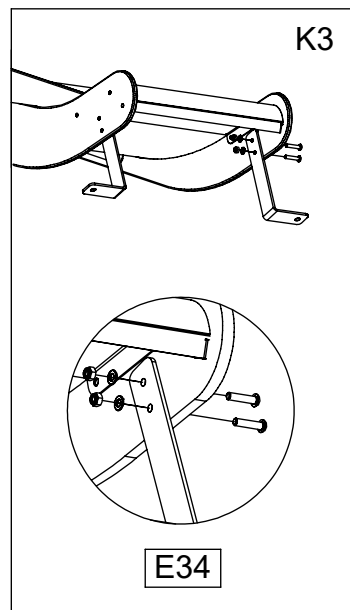
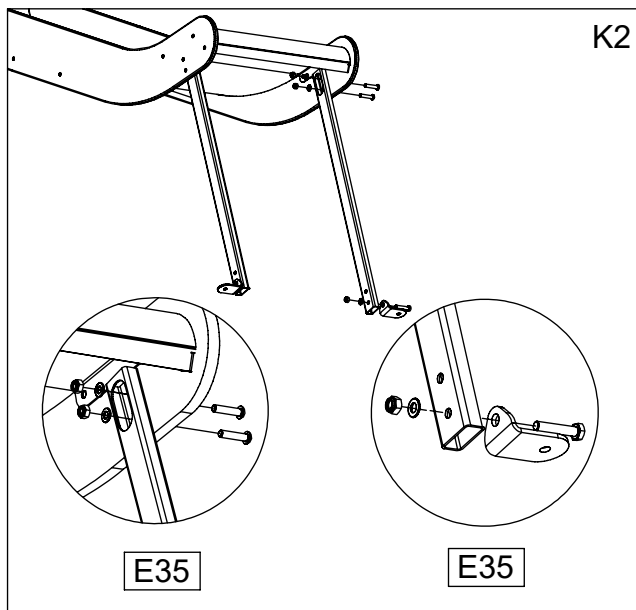
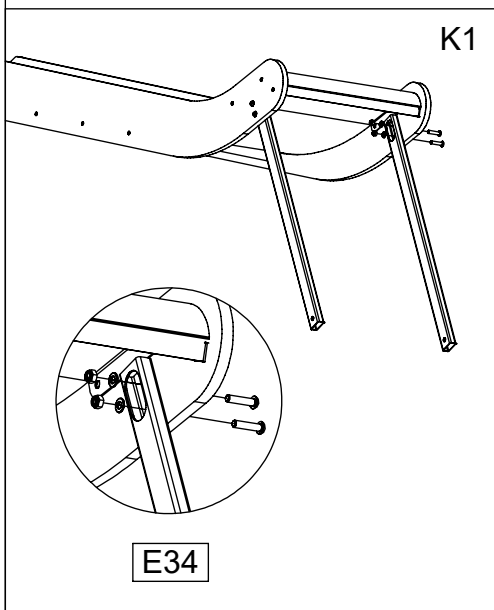
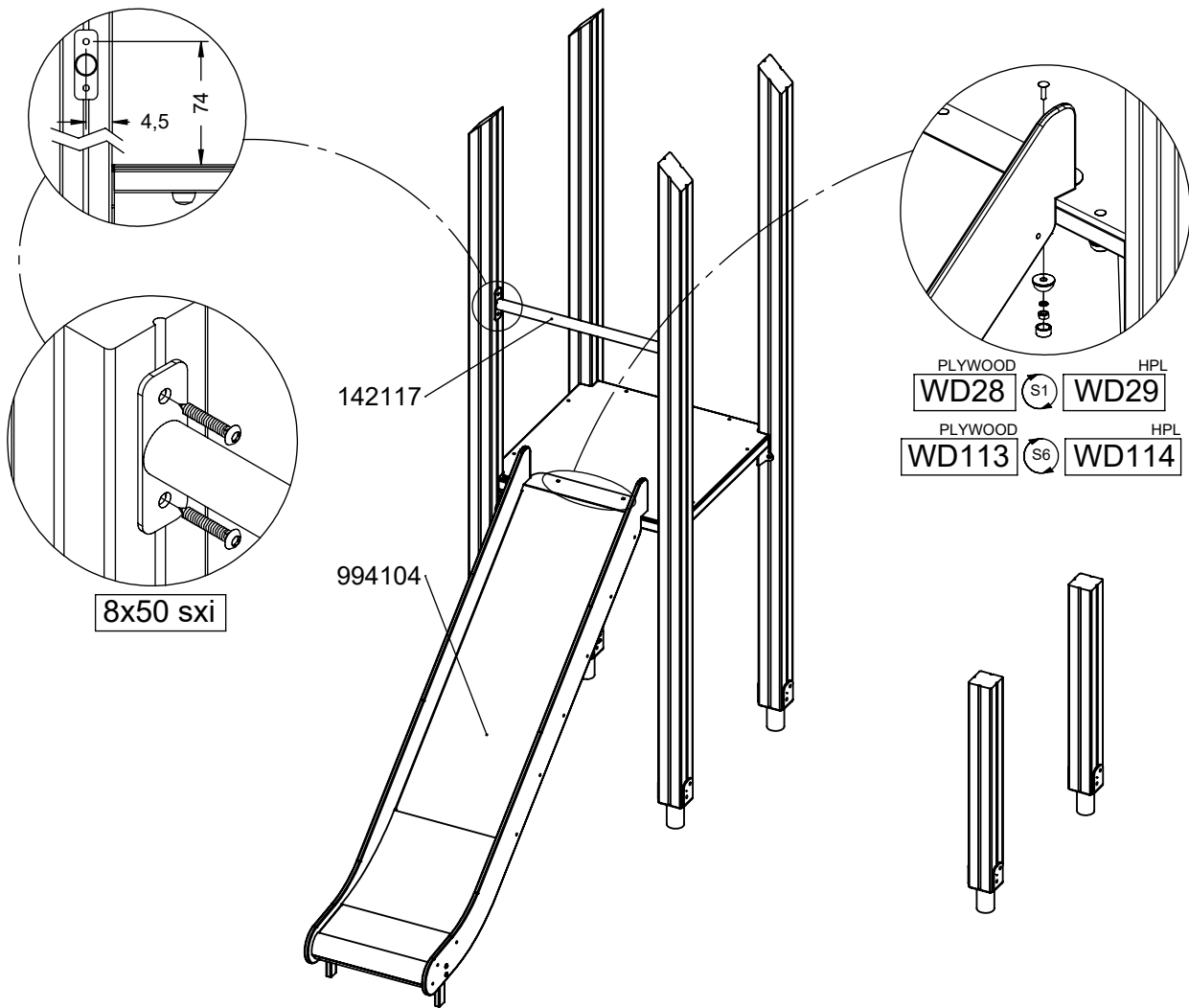
vinci
play





[cm]

vinci
play

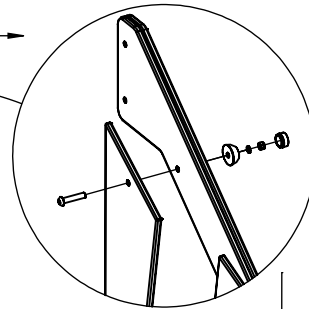
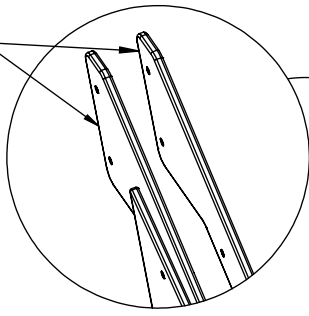


[cm]

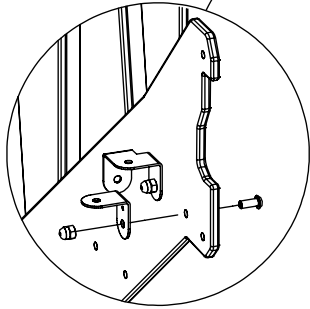


vinci
play

171129

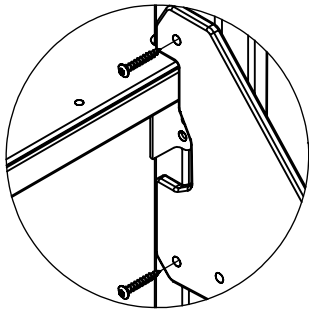
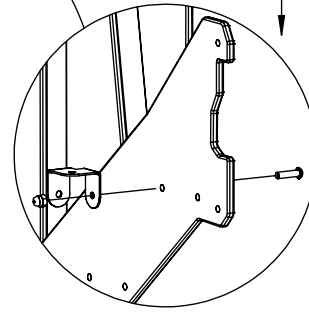


WD138

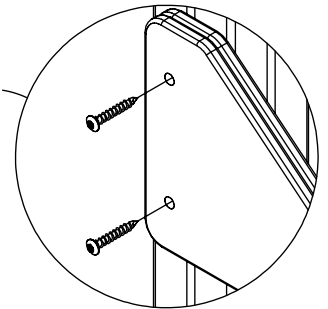
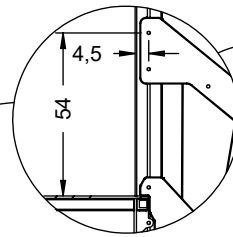


141341

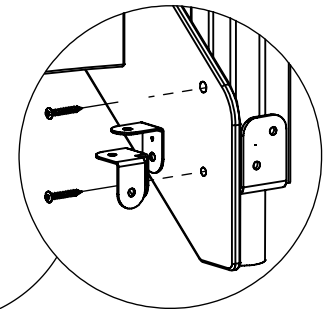
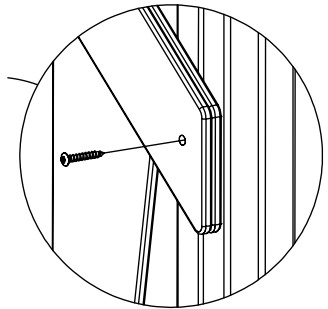
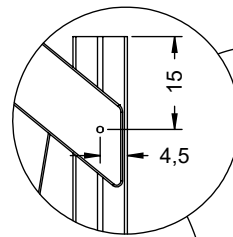
141342



8x50 sxi

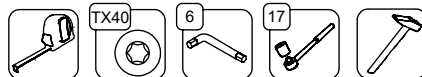
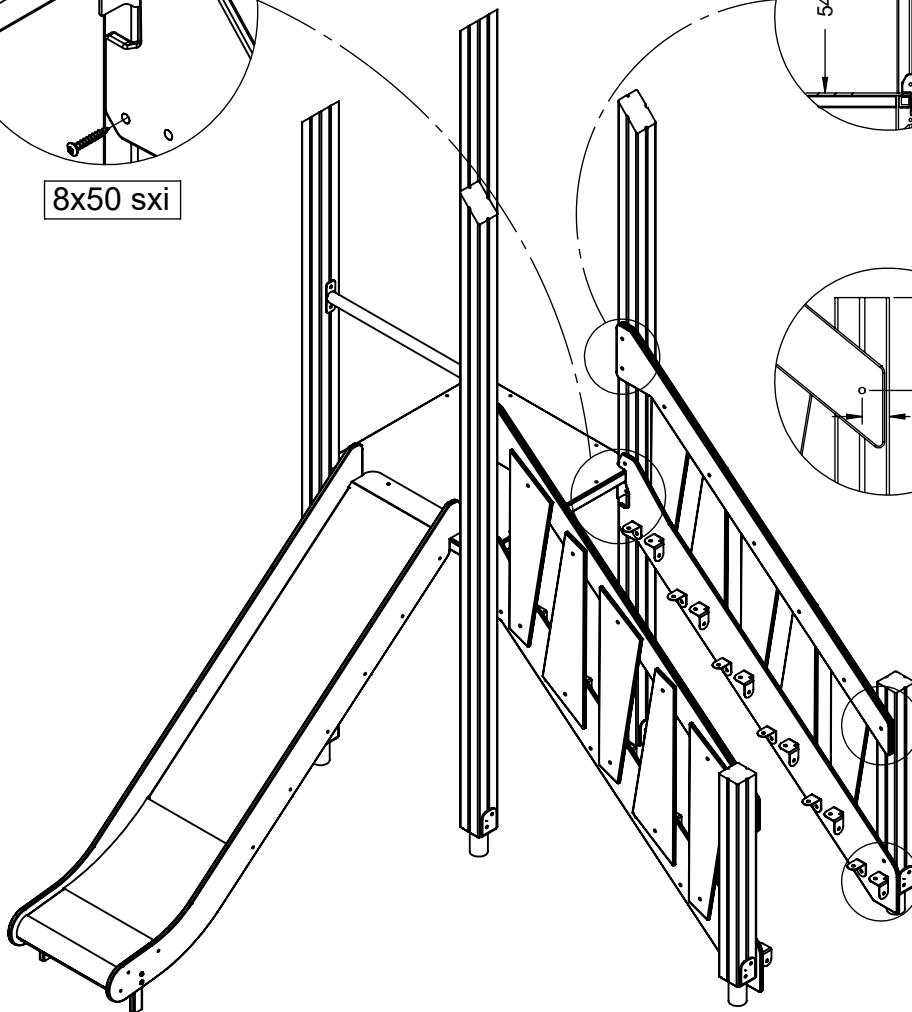


8x80 sxt



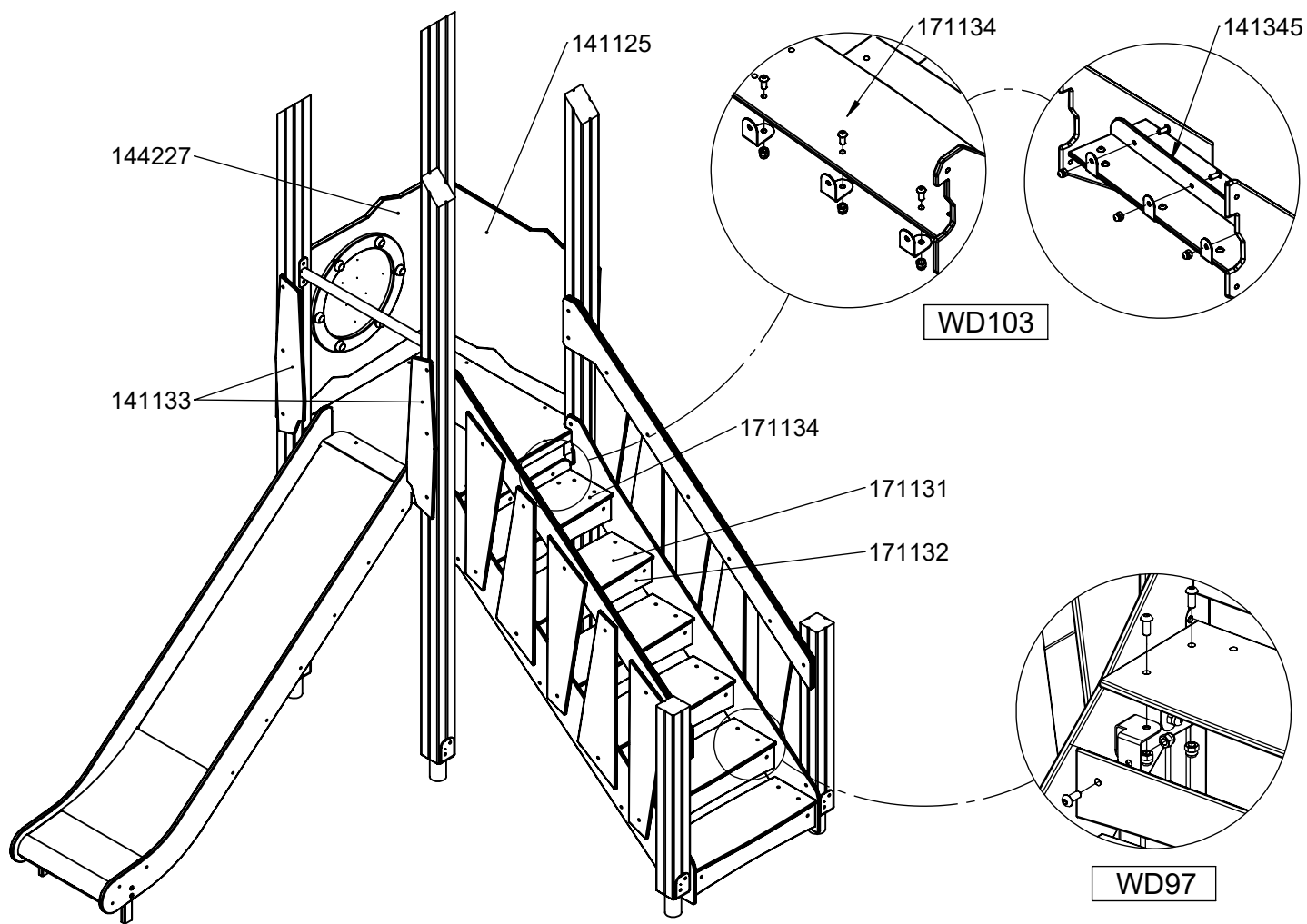
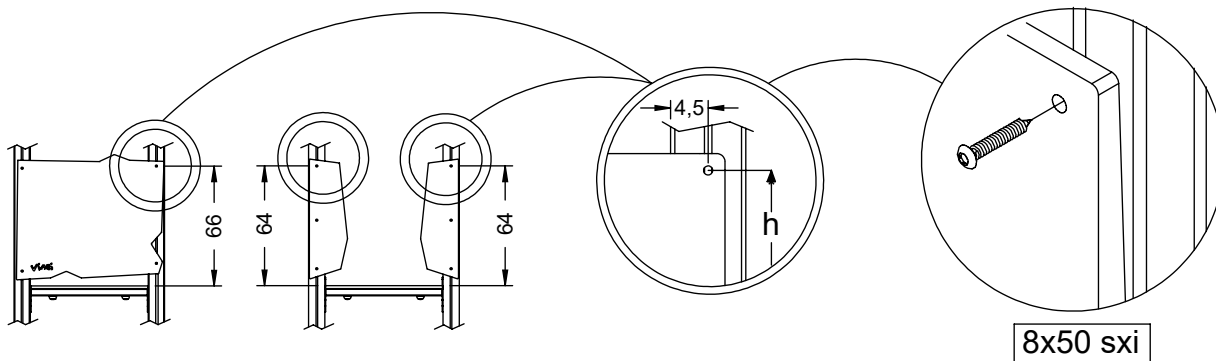
8x50 sxi

WD91



[cm]

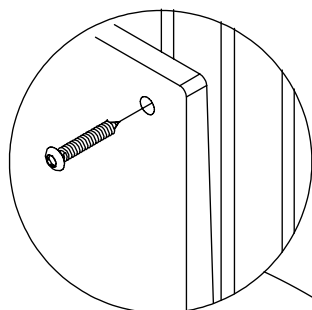
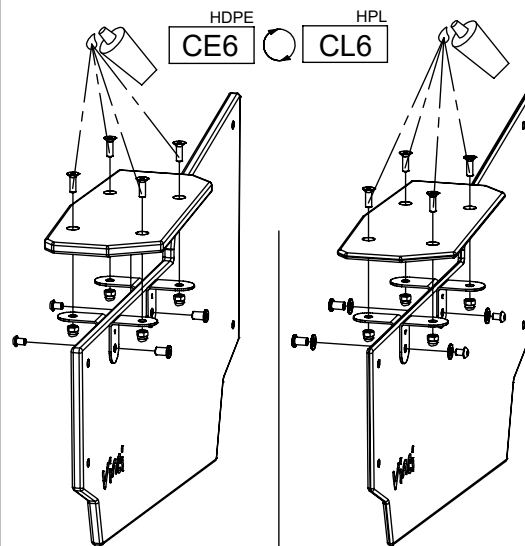
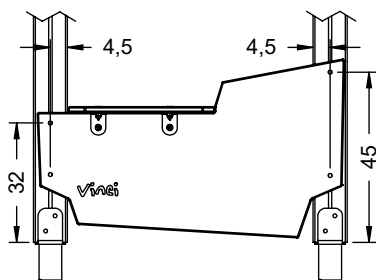
vinci play



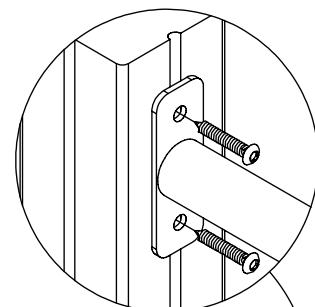
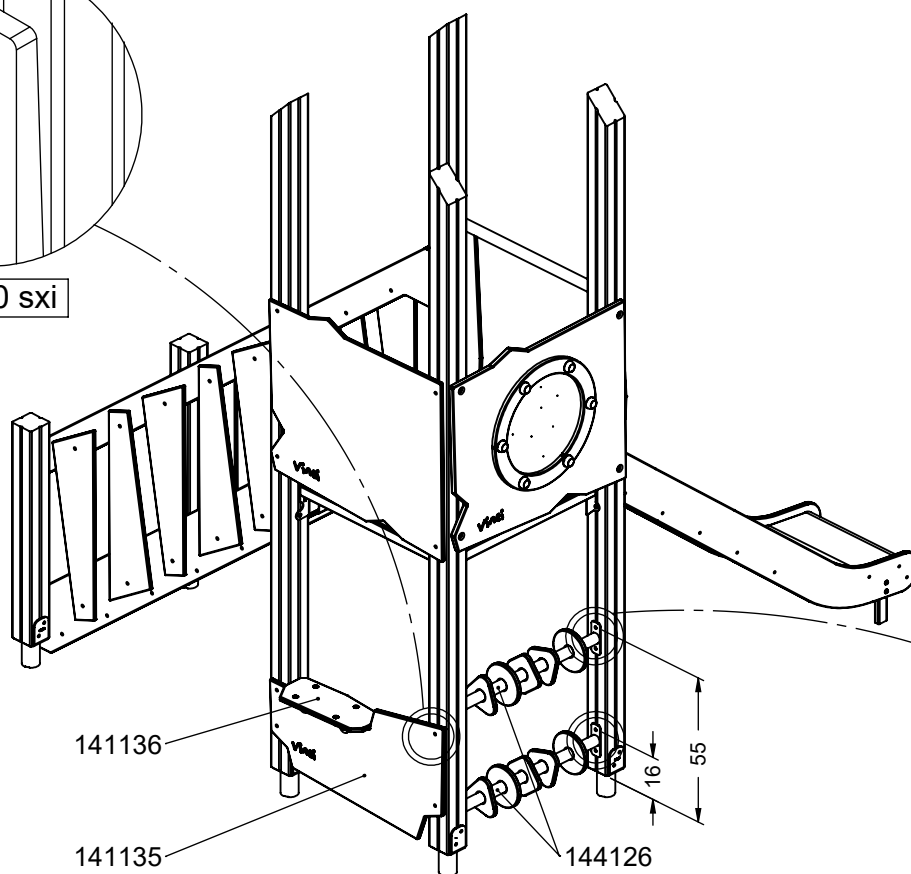
[cm]



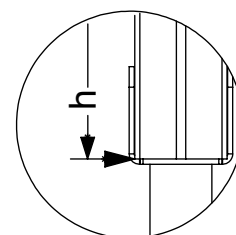
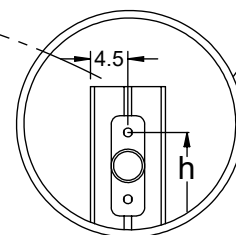
vinci
play



8x50 sxi



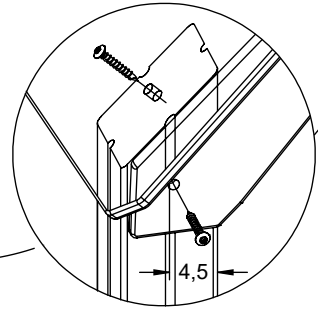
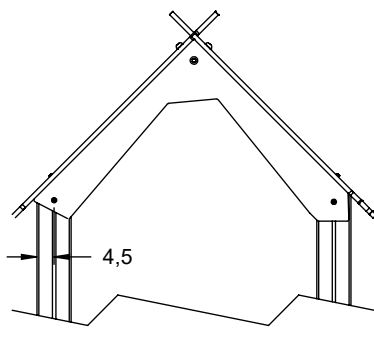
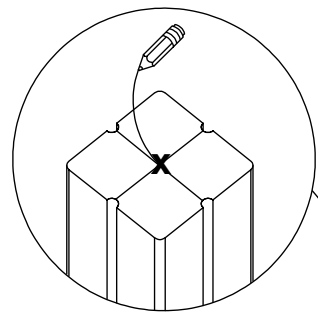
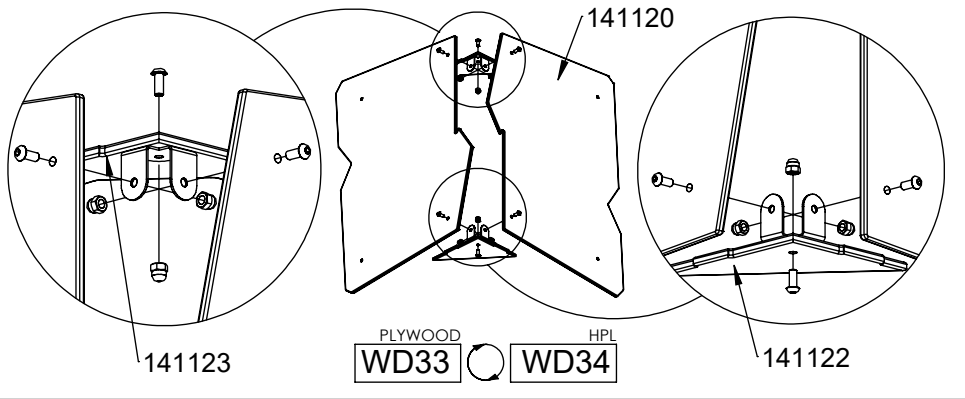
8x50 sxi



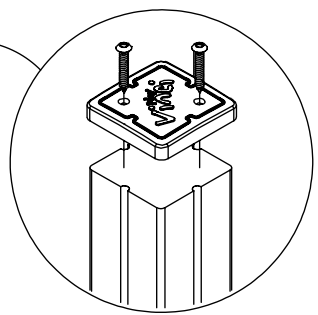
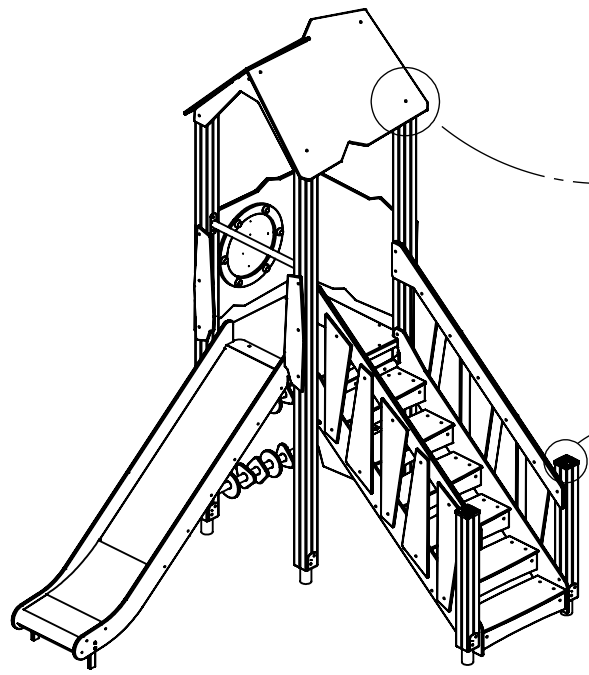
[cm]



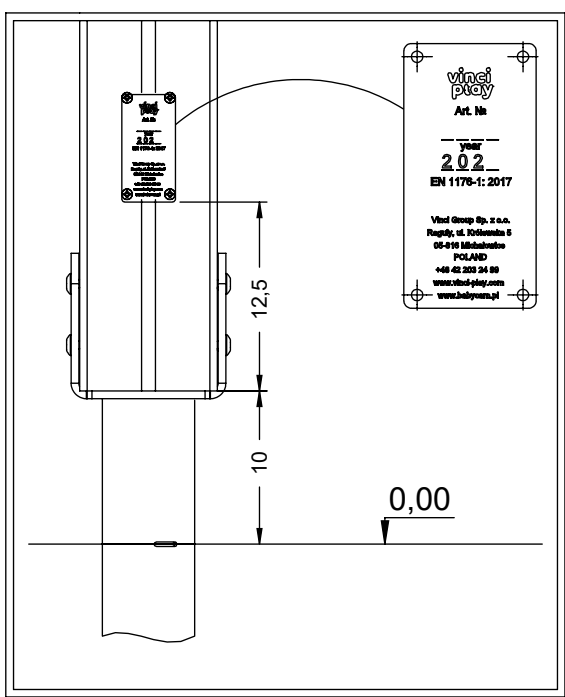
vinci
play



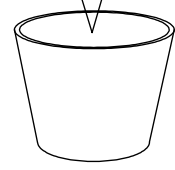
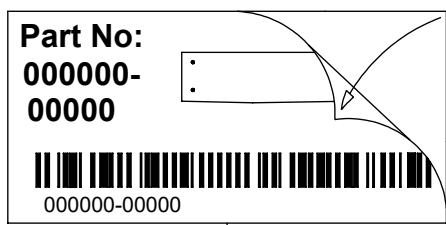
8x50 sxi



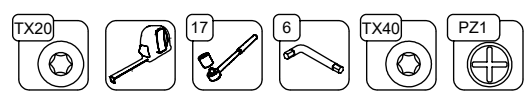
WD1



V001



[cm]



vinci play