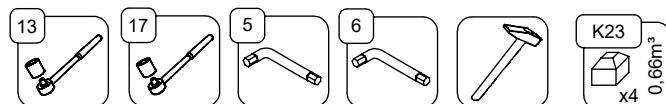
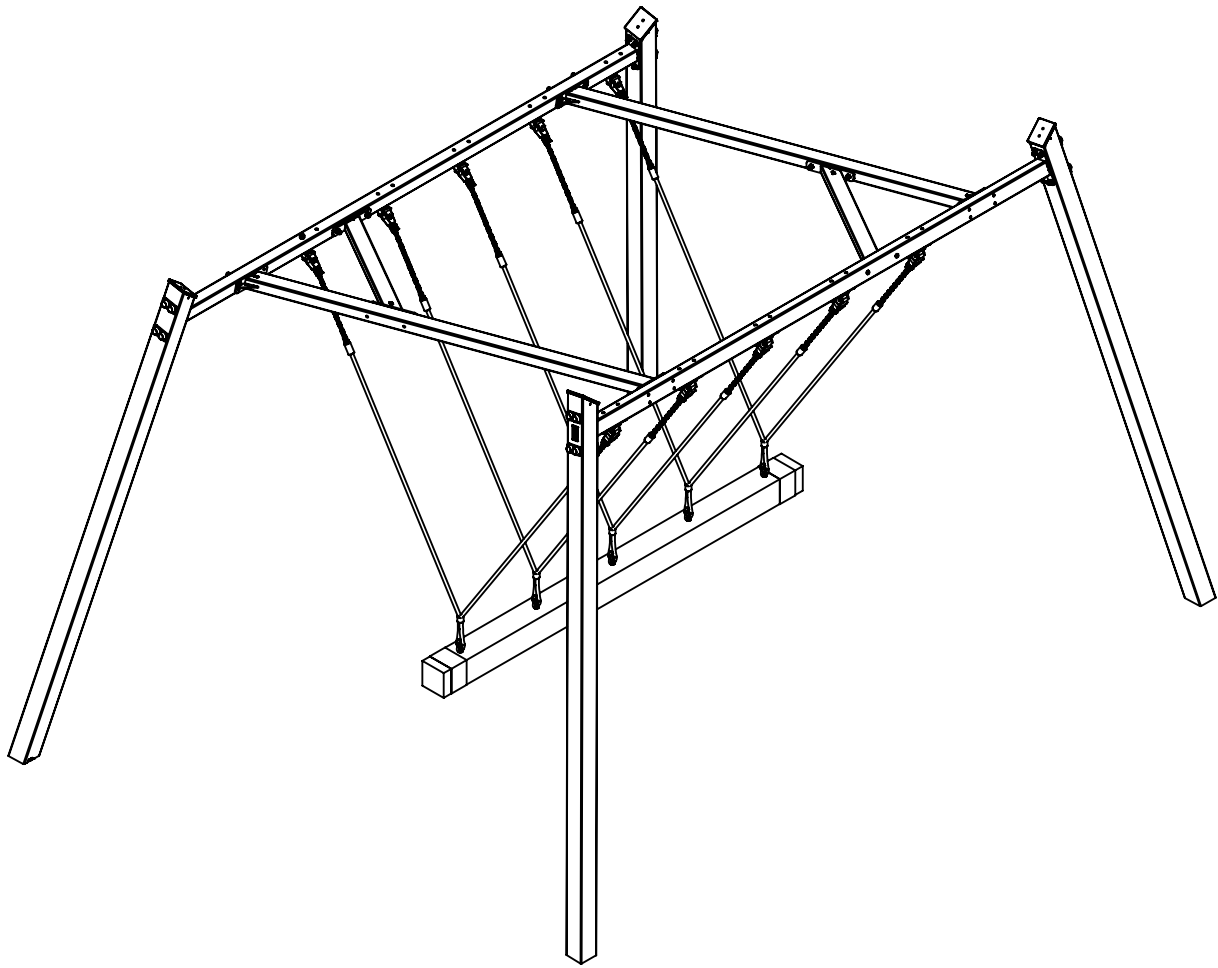
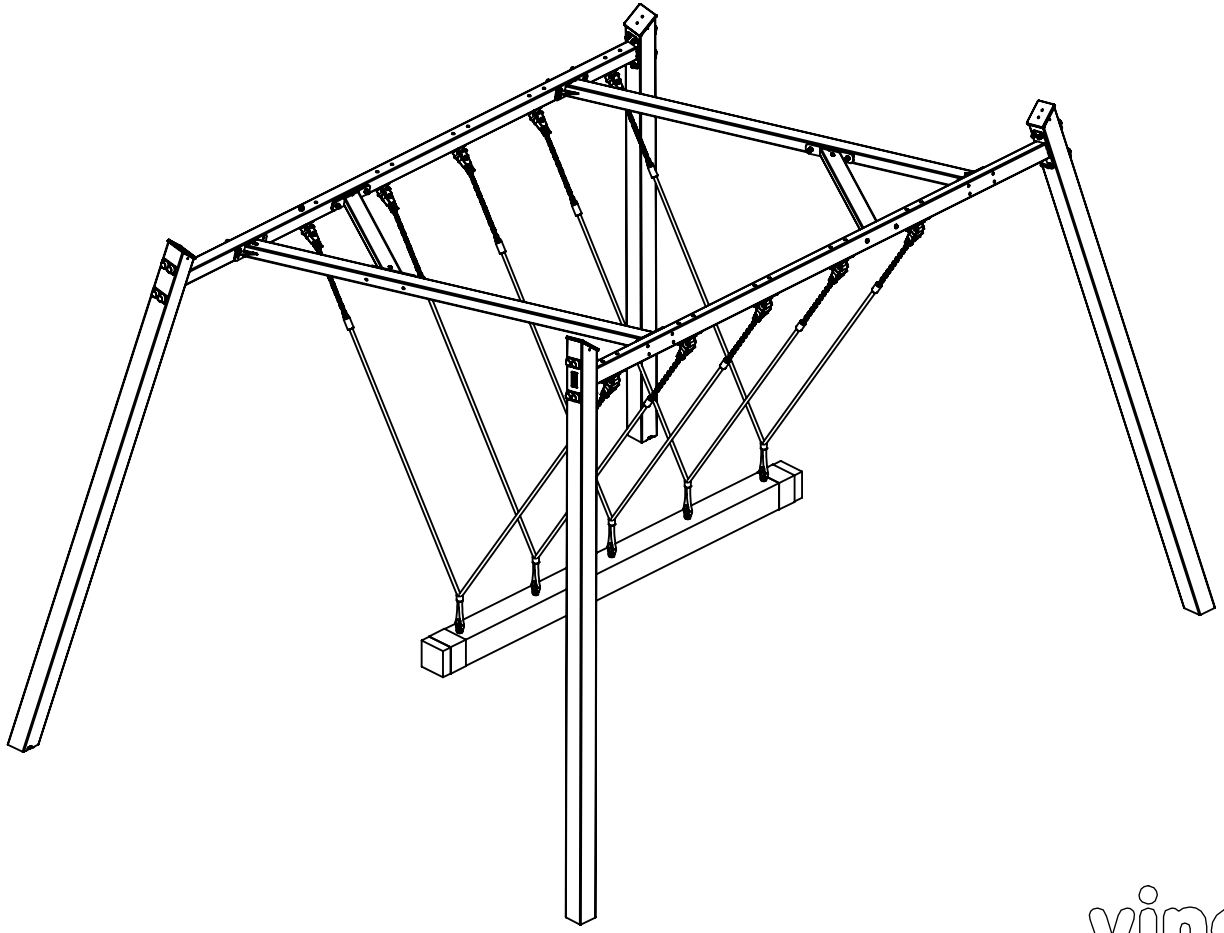
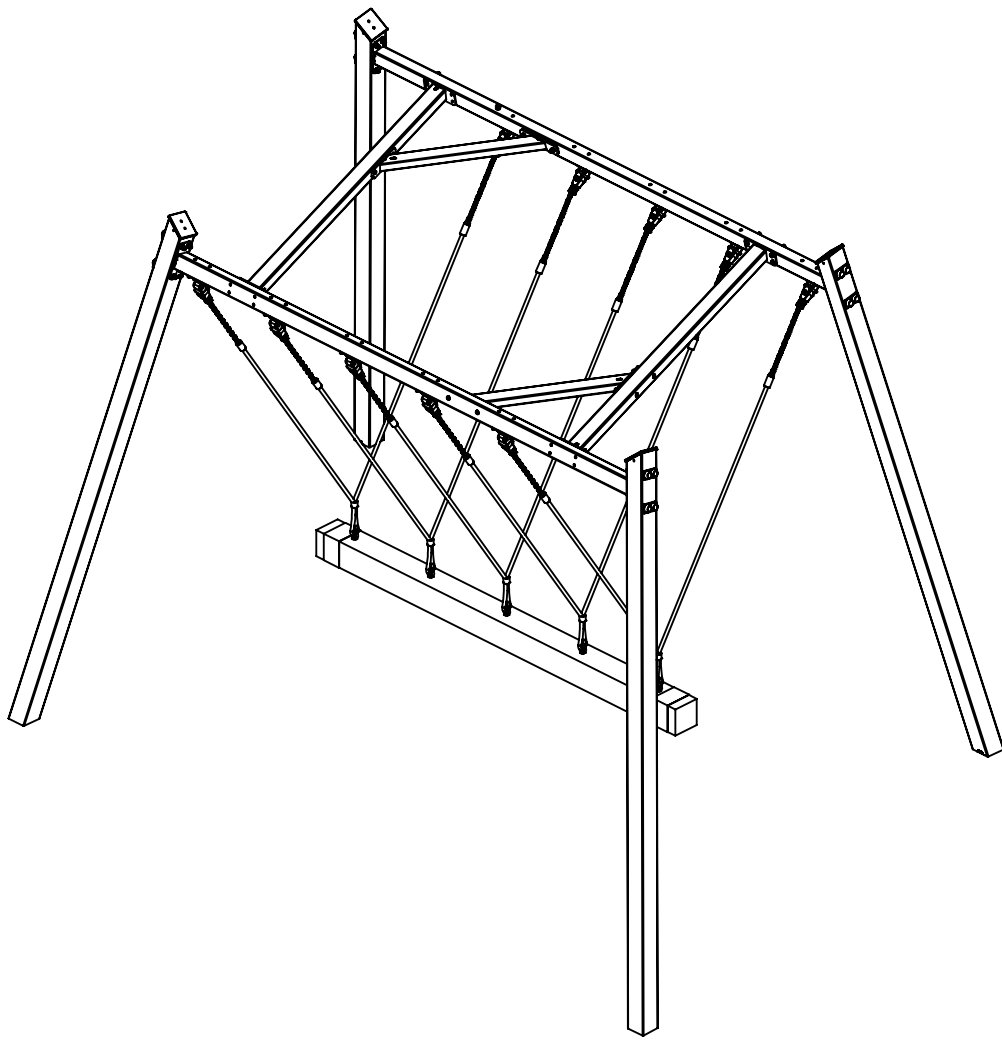


ST0521



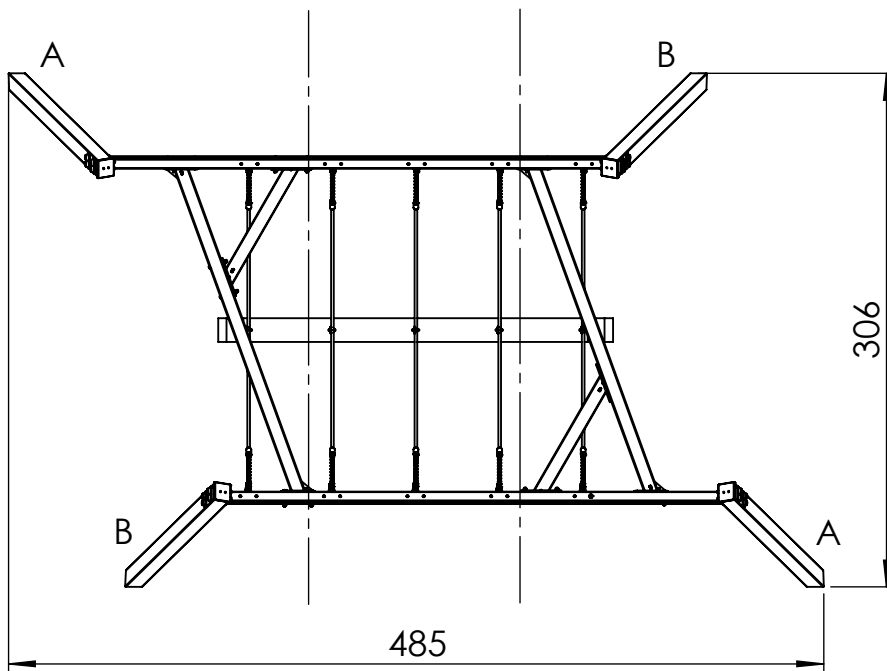
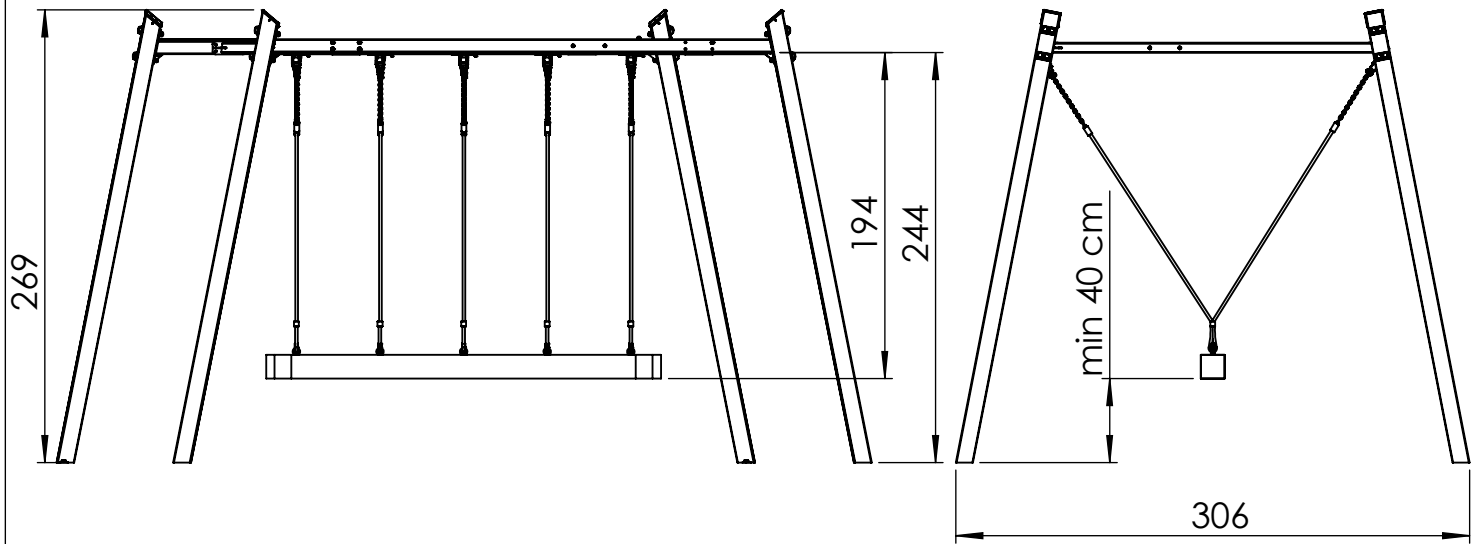
v011
29.07.2020
A. P.
[cm]

vinci
play



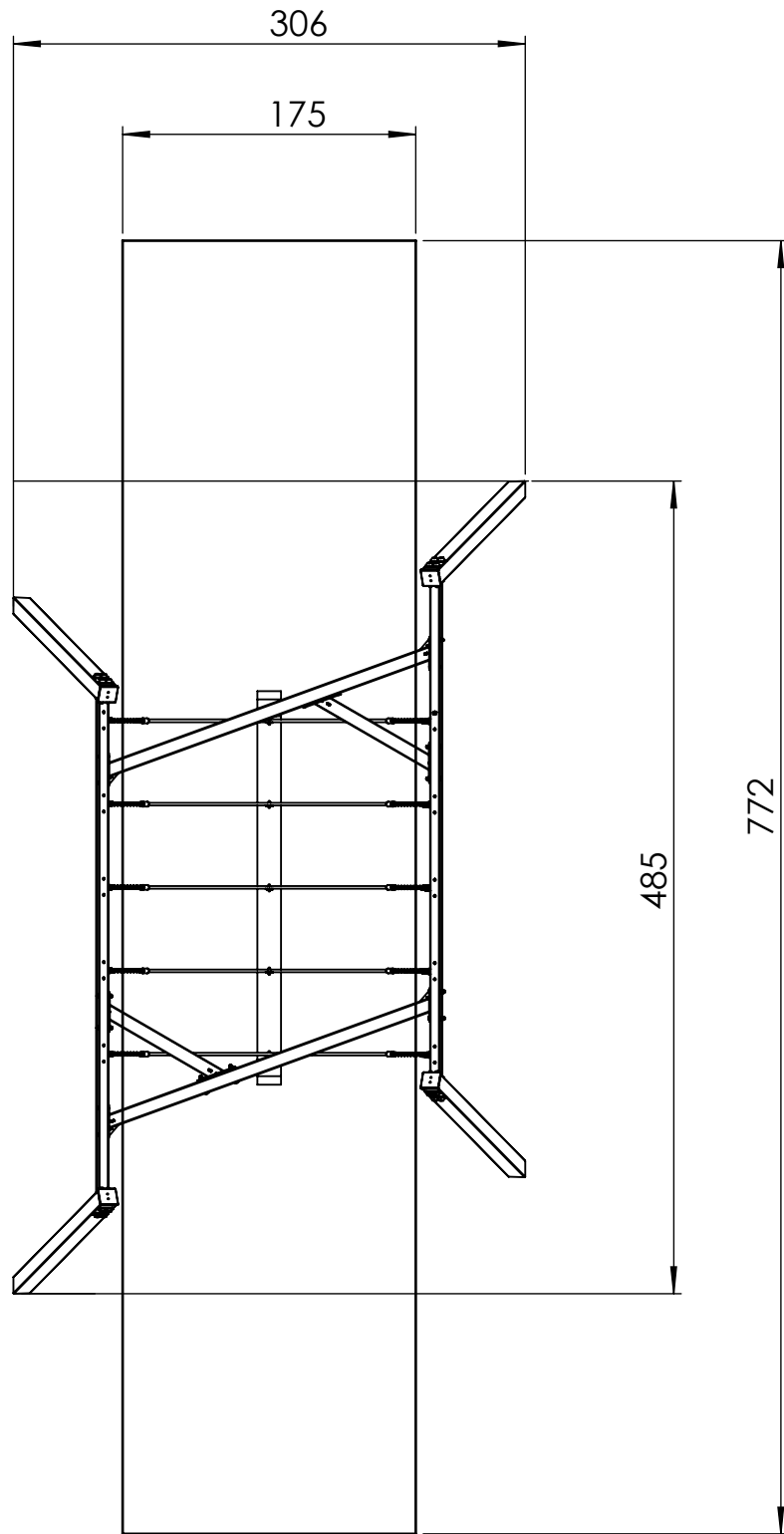
[cm]

vinci
play



[cm]

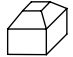
vinci
play

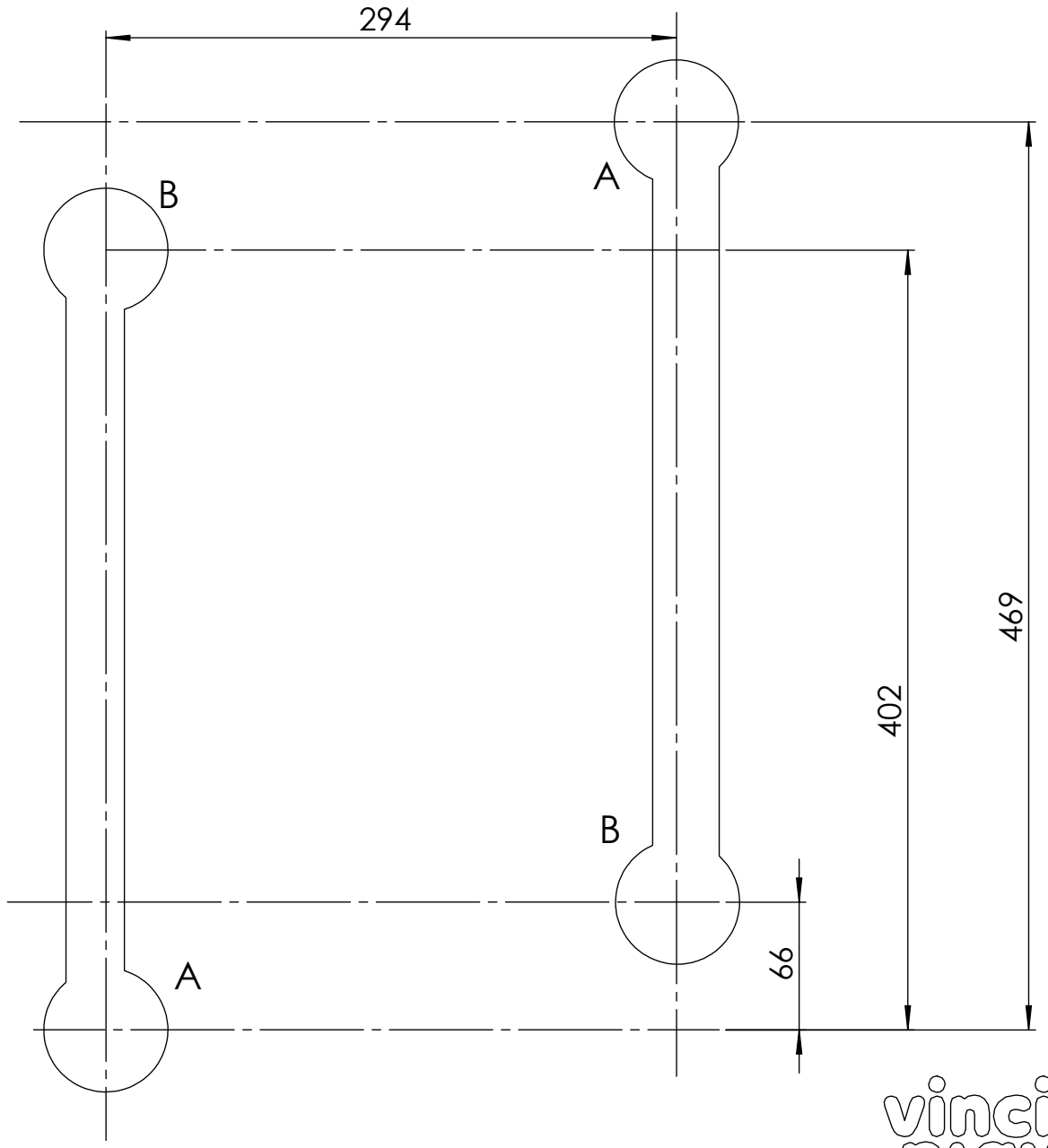
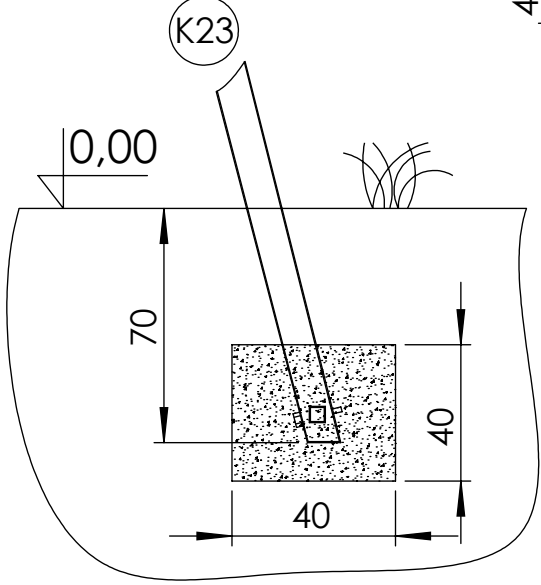
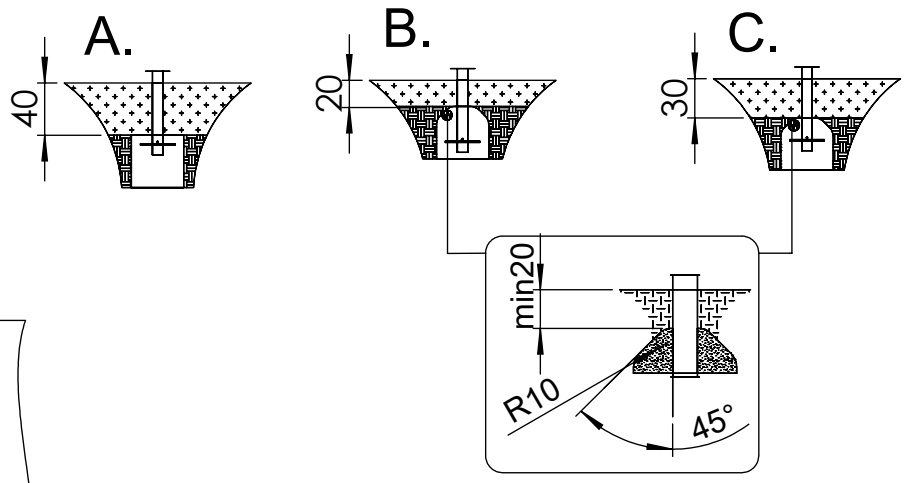


[cm]

vinci
play

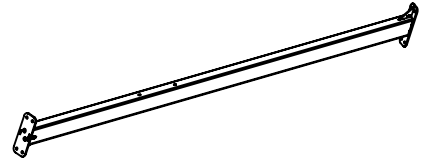
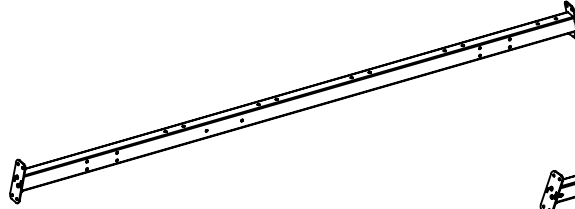
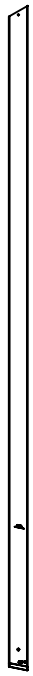
48h


K23

x4 0,66m³



[cm]

vinci
play

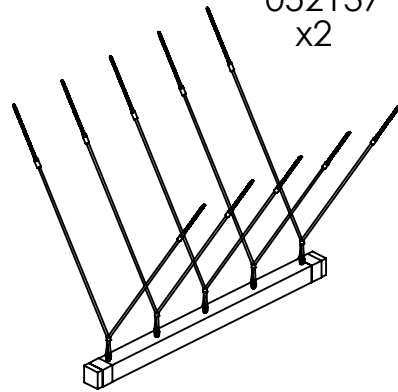
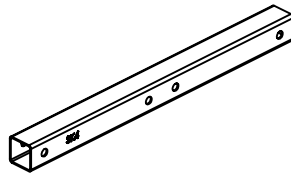
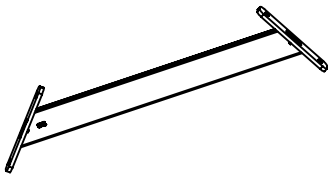


0521-A-ST
x2

0521-B-ST
x2

052136
x2

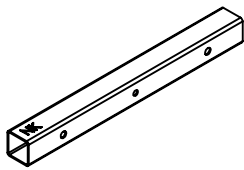
052137
x2



052140
x2

053135
x2

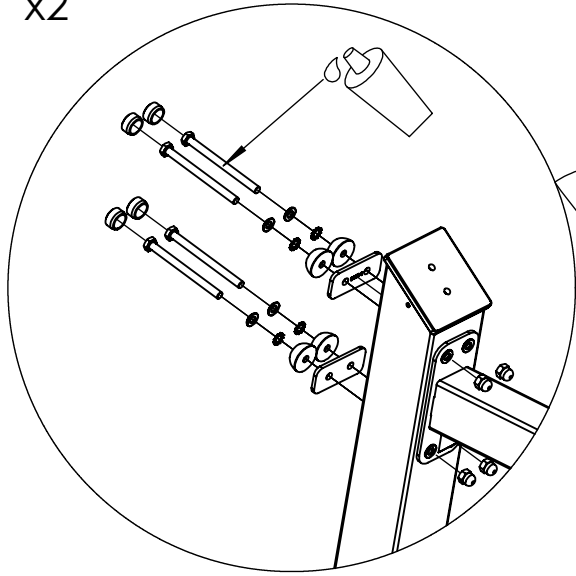
996228
x1



163109
x4

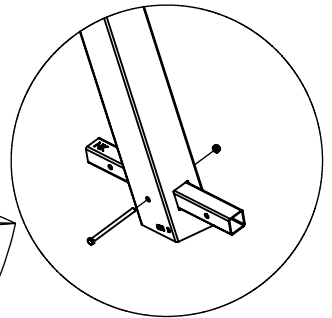
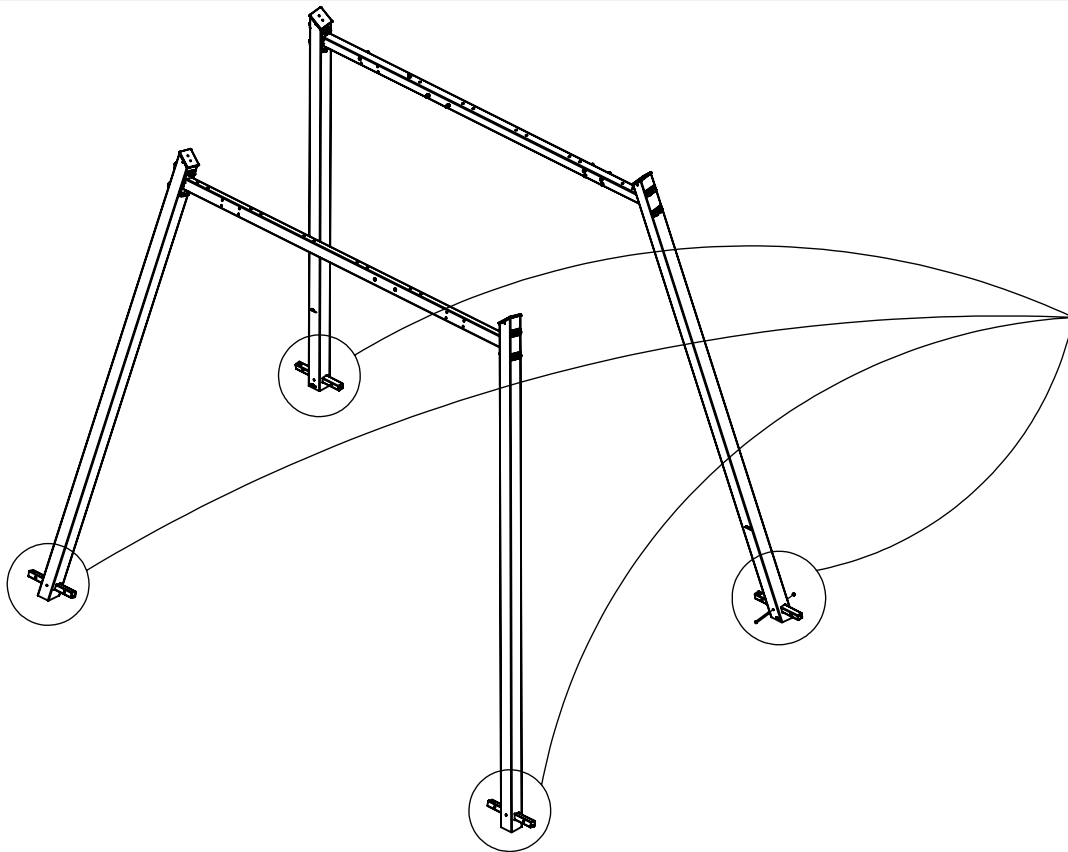
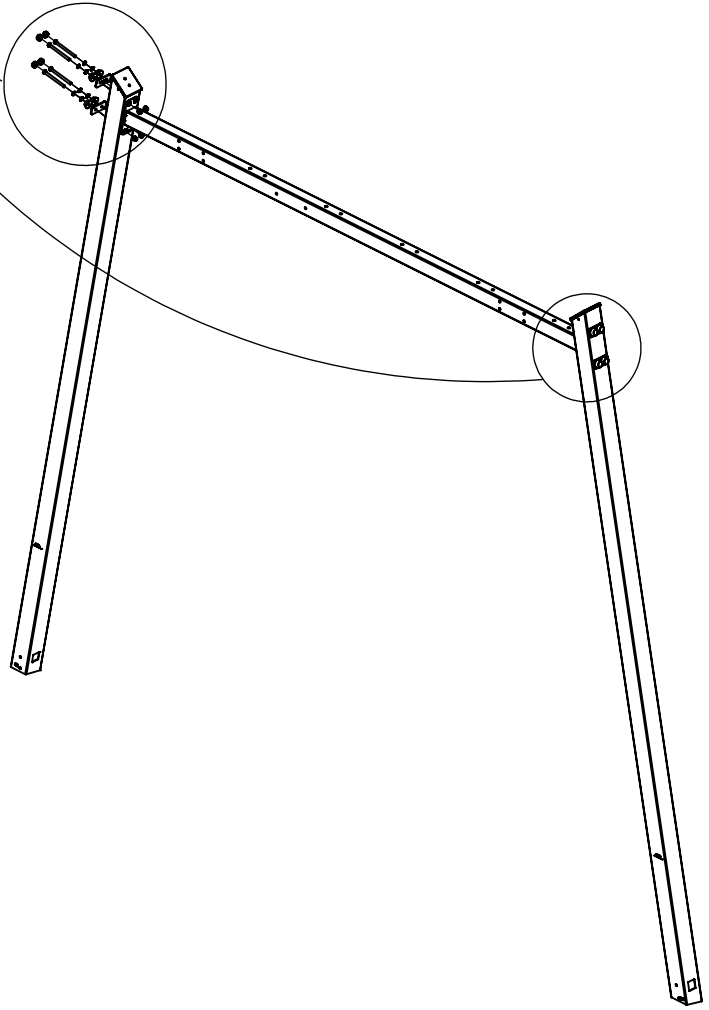
| | |
|----|------|
| 4x | E197 |
| 2x | E68 |
| 5x | E195 |
| 2x | E196 |
| 5x | E63 |
| 1x | V002 |

x2



4x E197

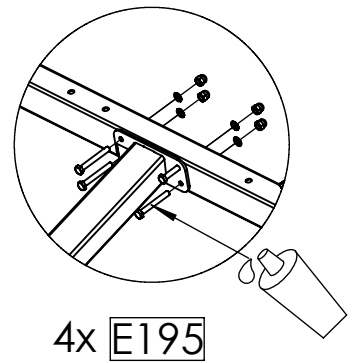
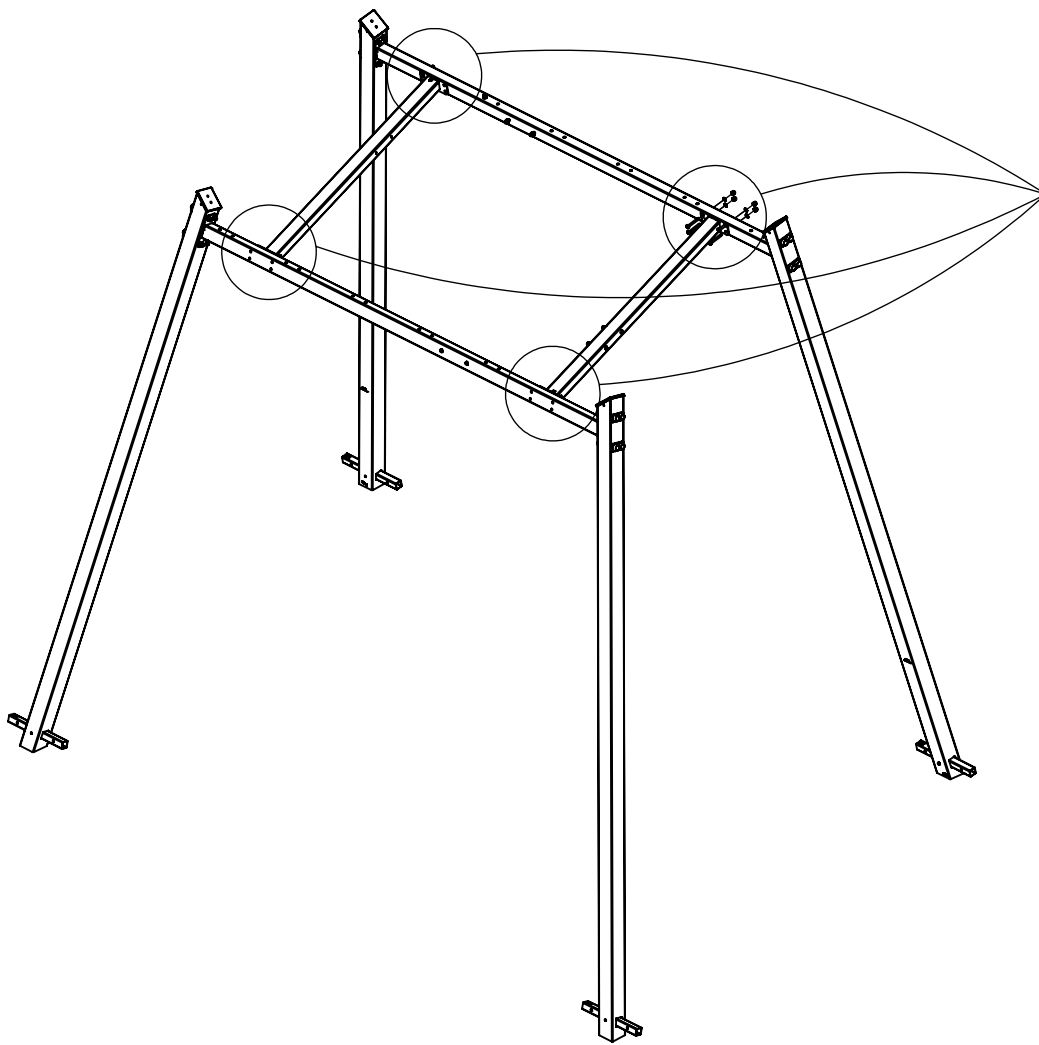
A



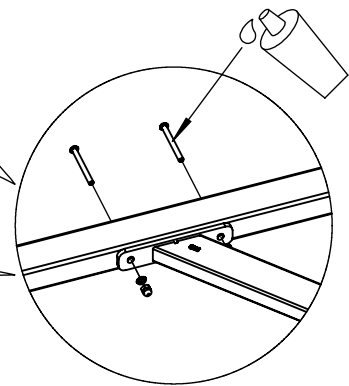
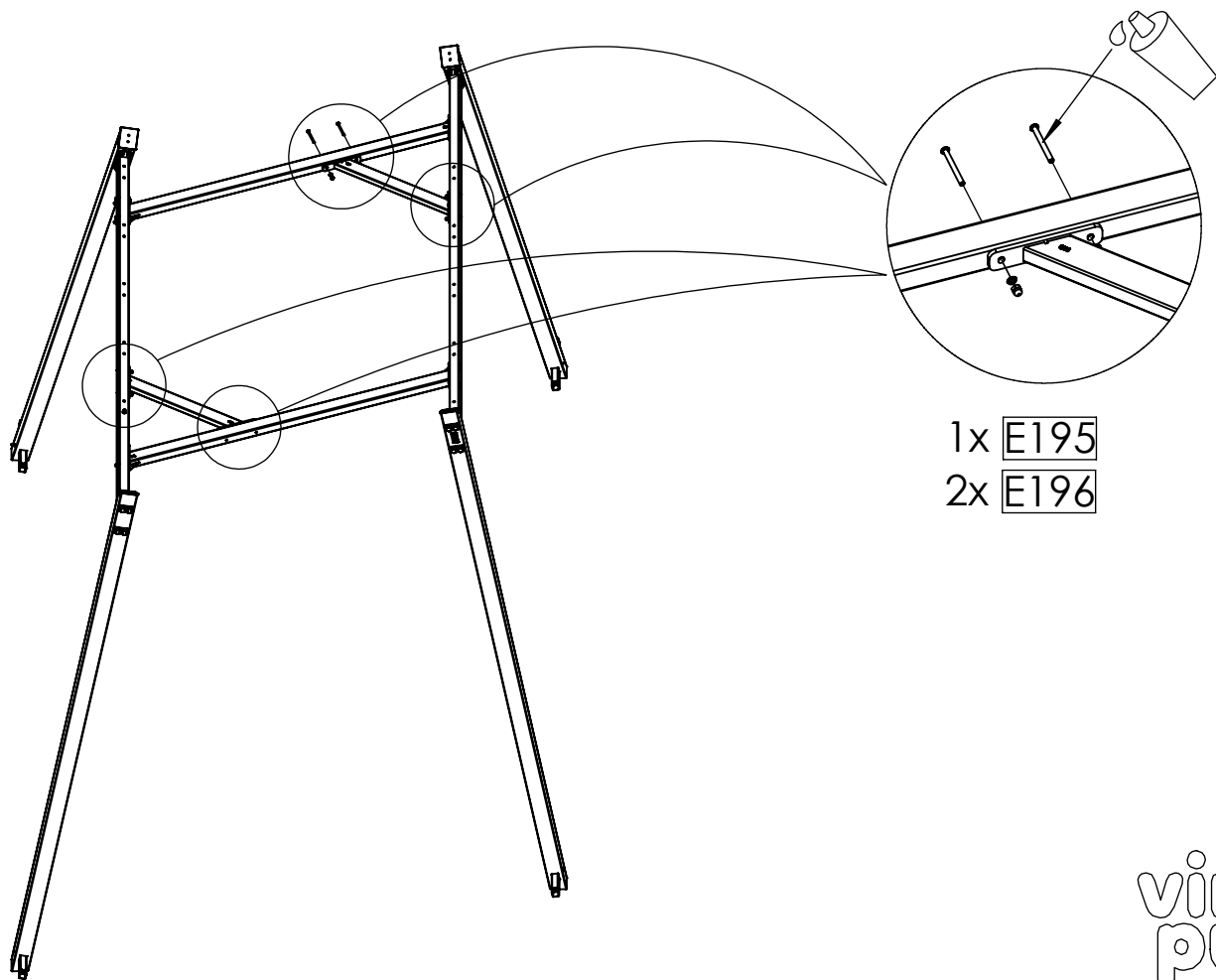
2x E68

[cm]

vinci
play



4x E195

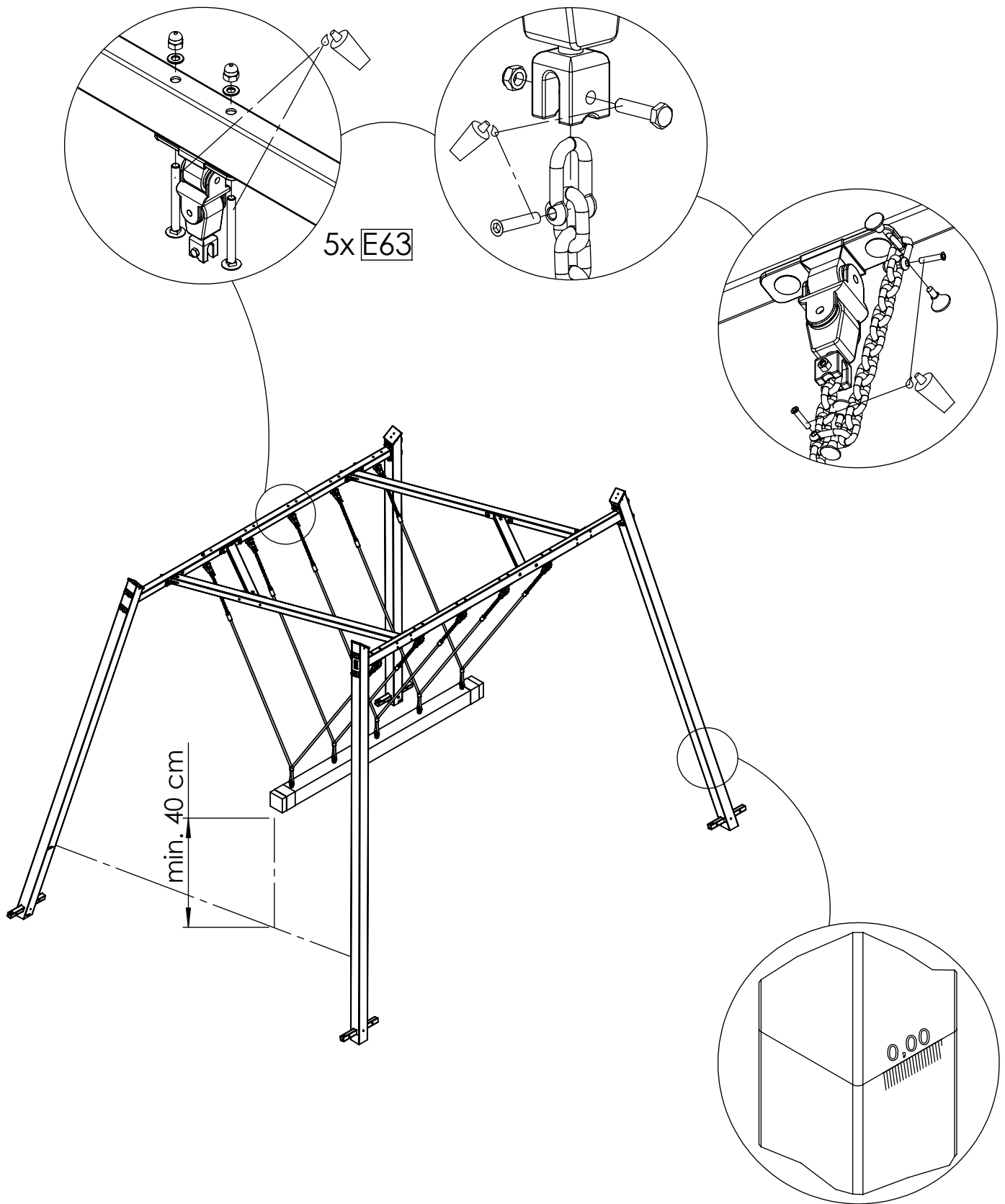


1x E195

2x E196

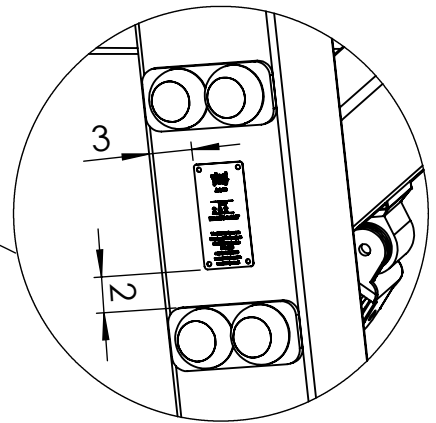
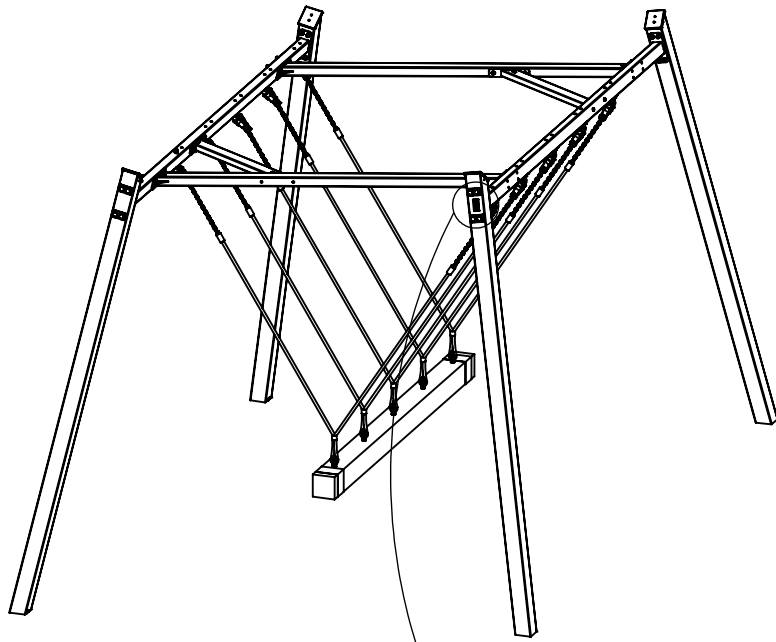
[cm]

vinci
play



[cm]

vinci
play



V002