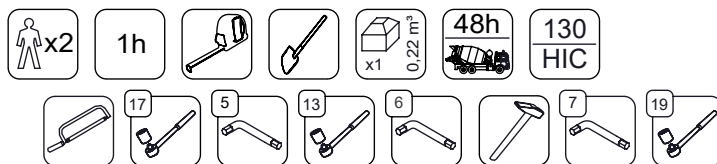
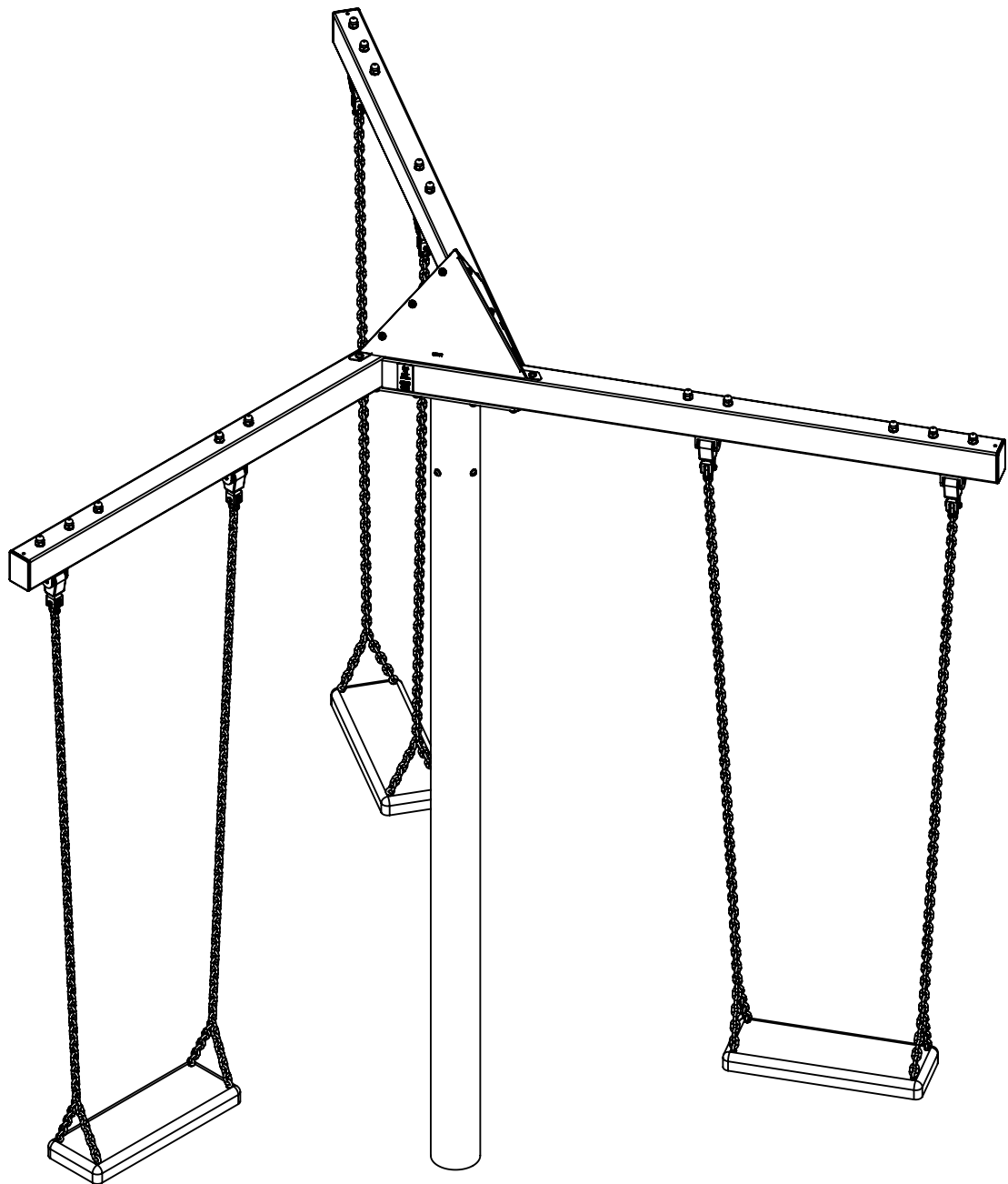
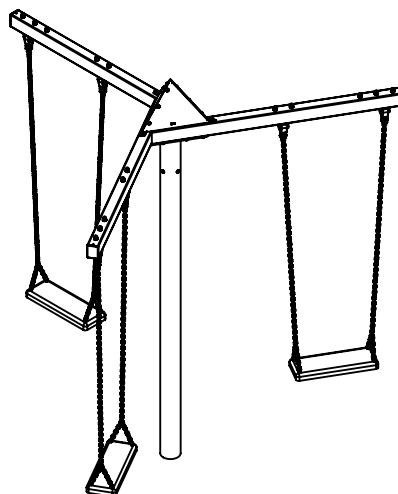
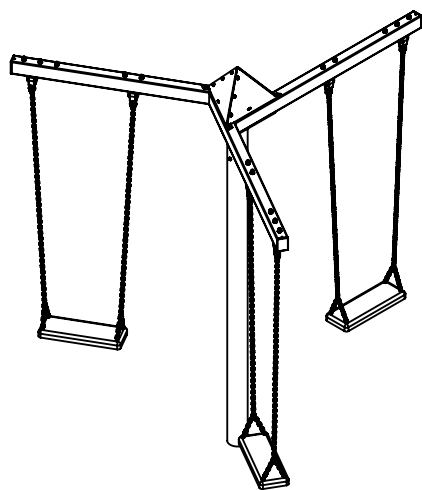
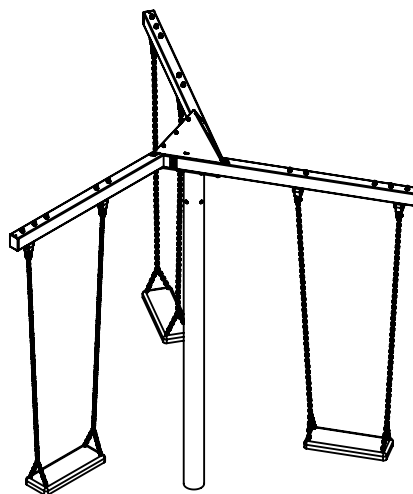
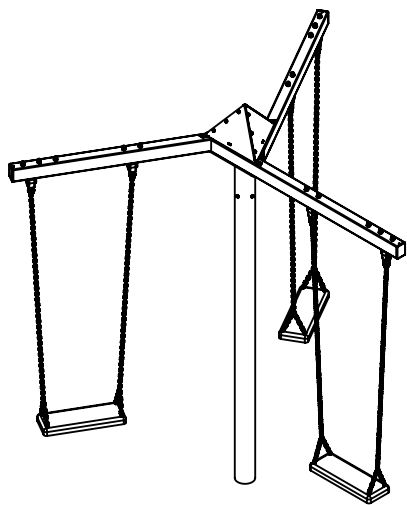


ST0519



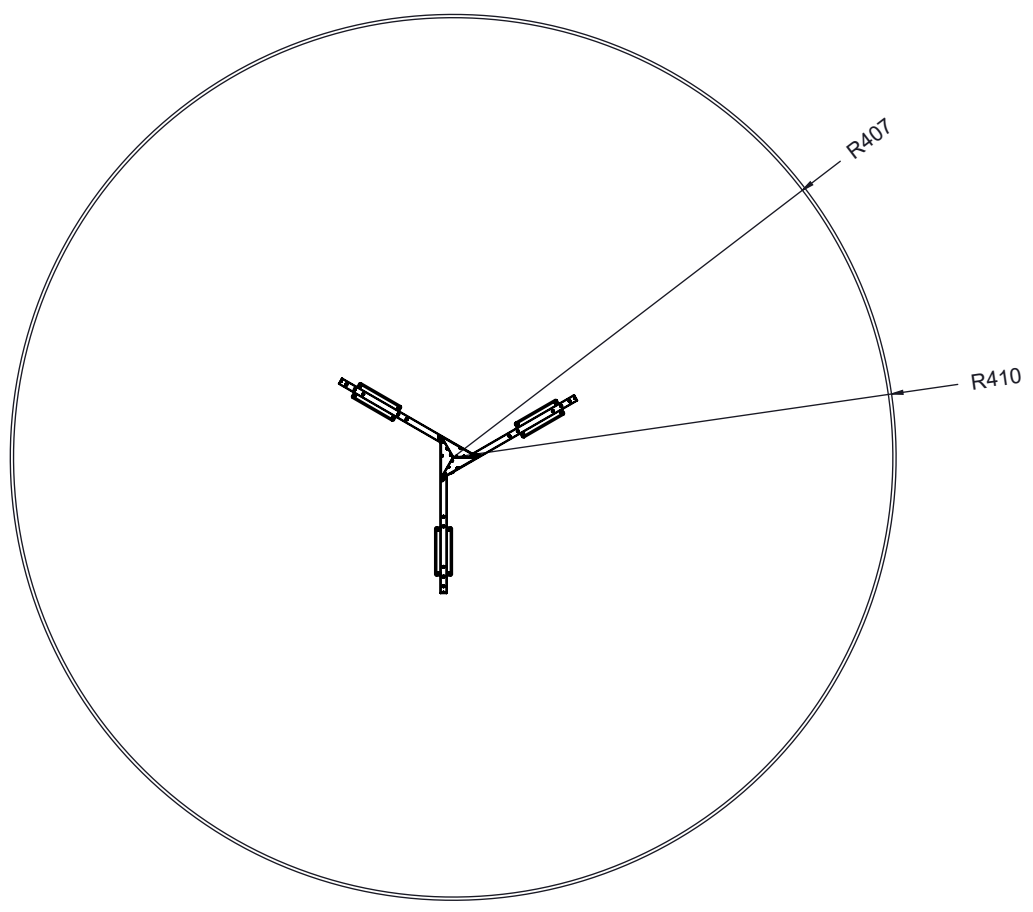
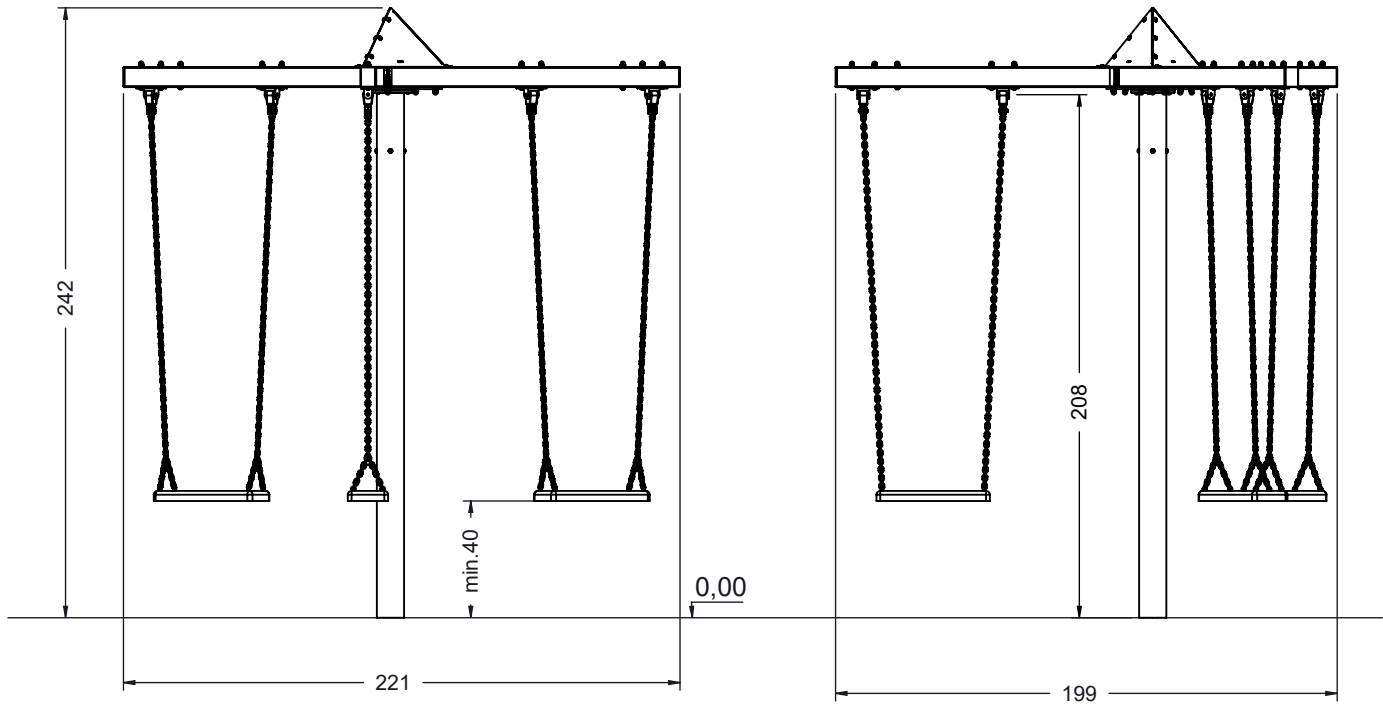
v012
30.06.2021
A. H.
[cm]

vinci
play



[cm]

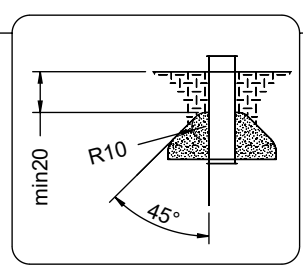
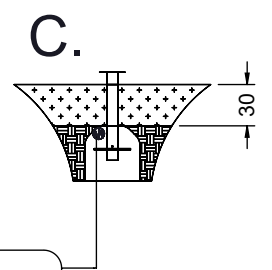
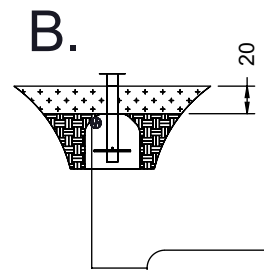
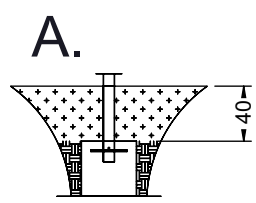
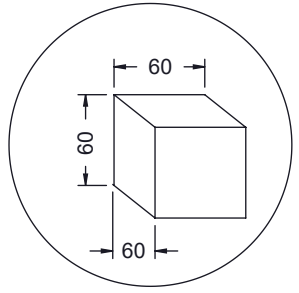
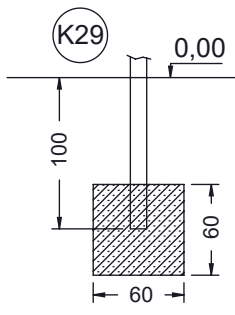
vinci
play



[cm]



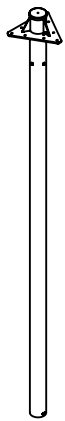
vinci
play



[cm]

 x2
  1h
 
 
  48h
  x1 0,22 m³

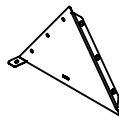
vinci
play



054112
x1



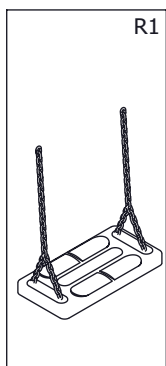
053127
x3



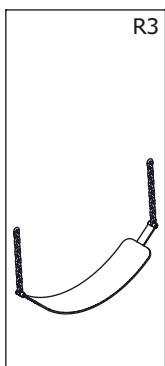
b354
x3



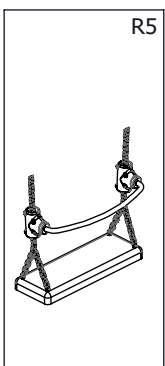
b357
x1



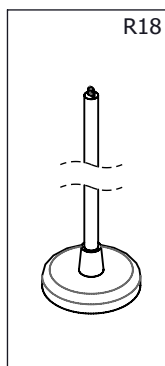
R1



R3

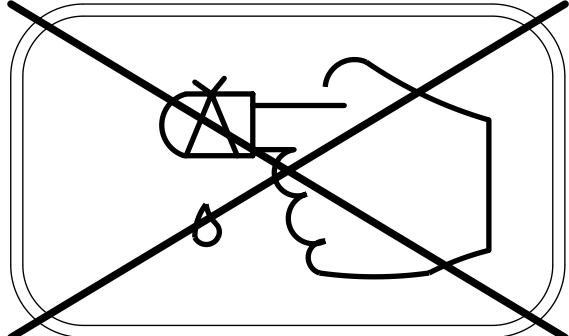
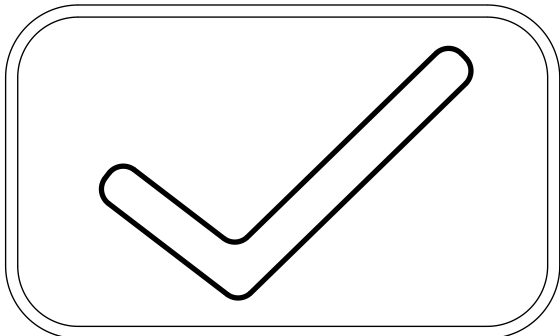
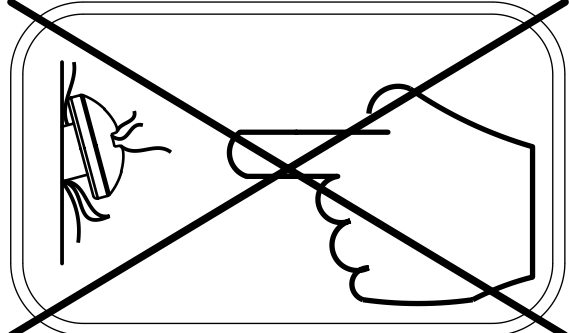
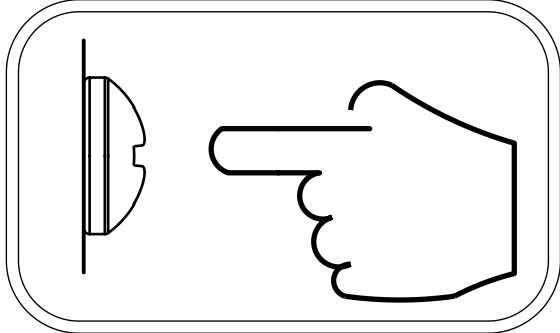
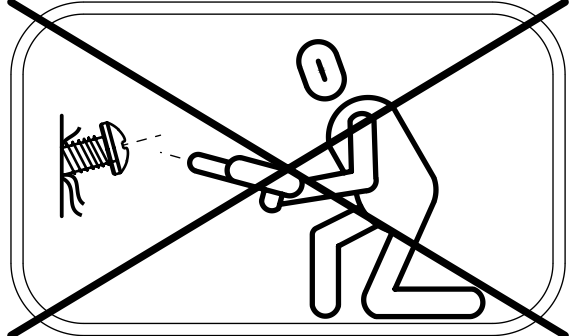
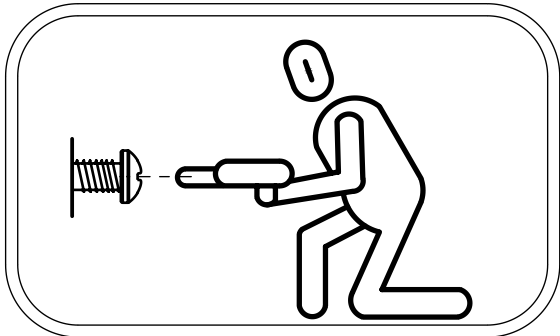


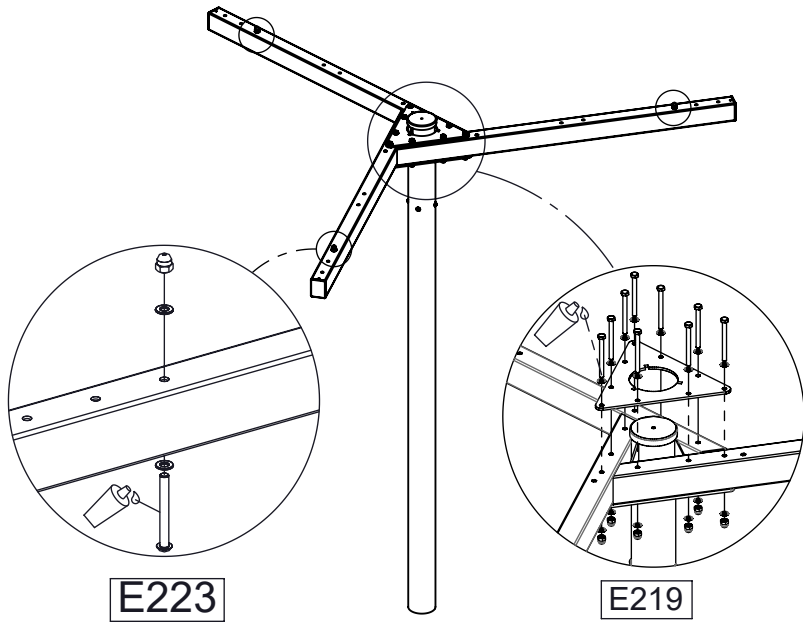
R5



R18

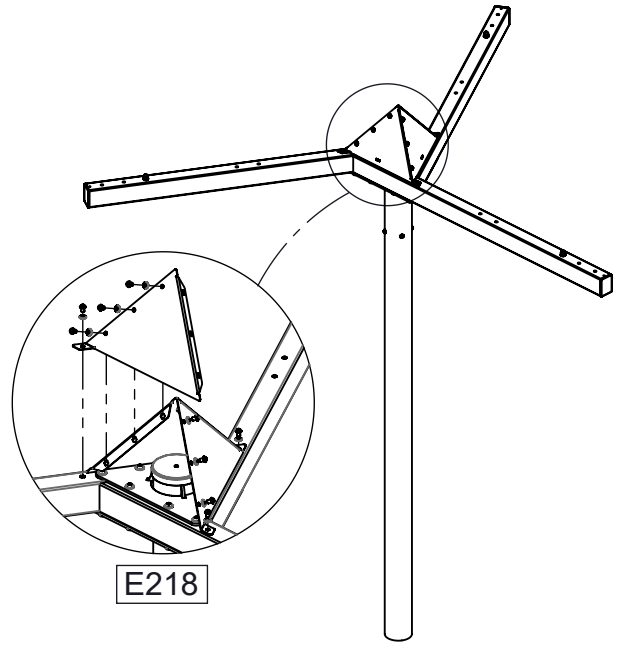
| ST/INOX | |
|---------|------------|
| 1x | E218 |
| 1x | E219 |
| 3x | E222 (R1) |
| 3x | E164 (R1) |
| 3x | E222 (R3) |
| 3x | E168 (R3) |
| 3x | E222 (R5) |
| 3x | E164 (R5) |
| 3x | E212 (R18) |
| 3x | E221 (R18) |
| 1x | E223 |
| 1x | V002 |



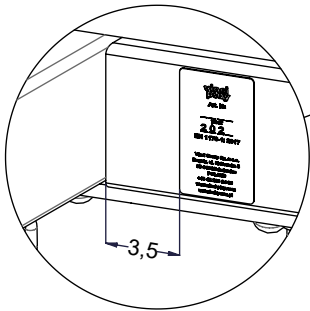


E223

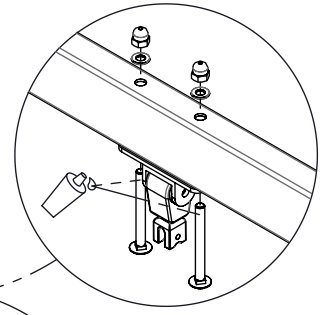
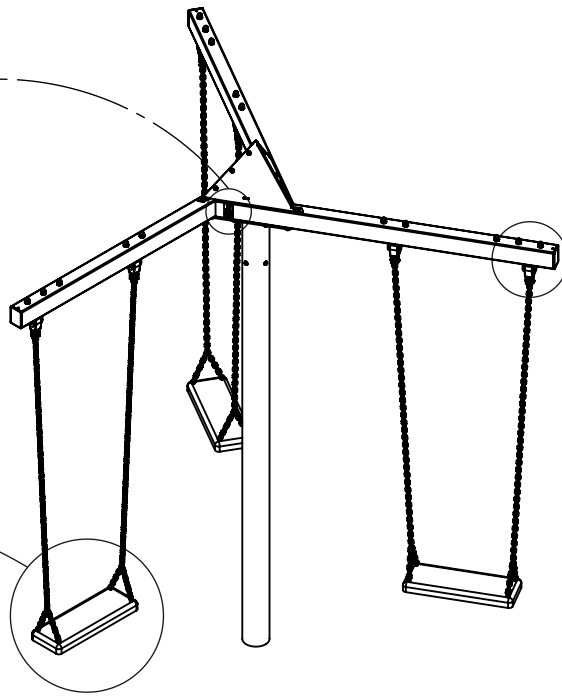
E219



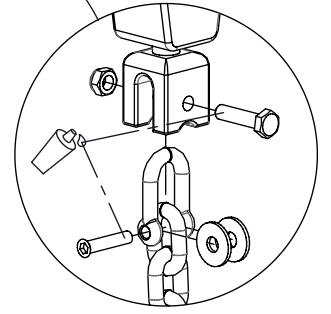
E218



V002




E222

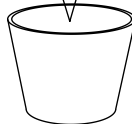


R1 R3 R5

Part No:
000000-
00000



000000-00000

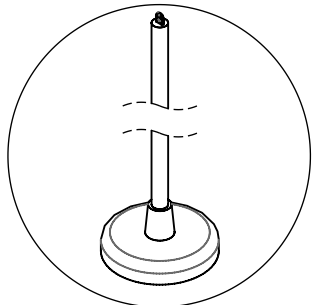


[cm]

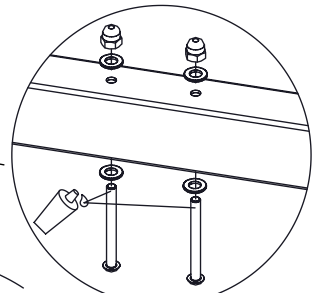
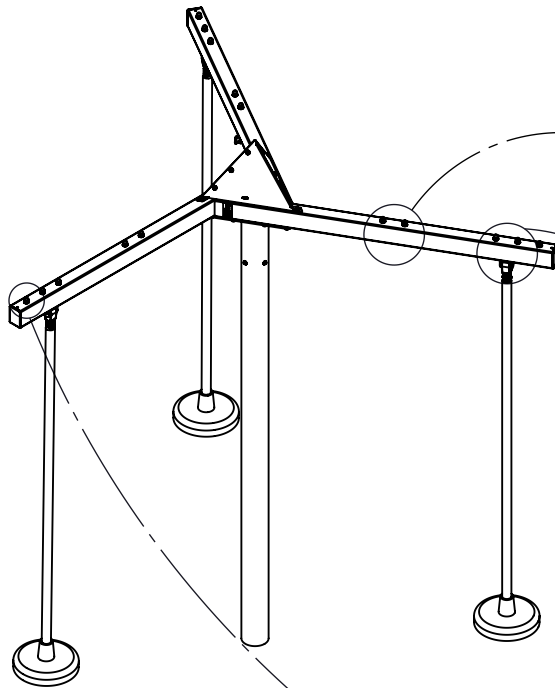


vinci
play

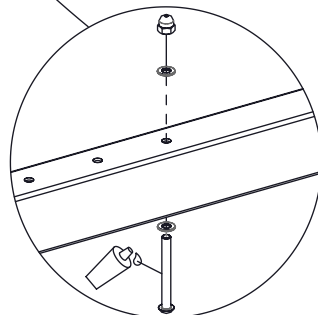
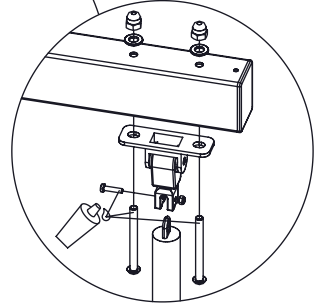
R18



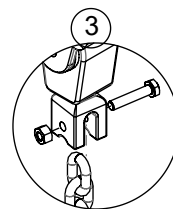
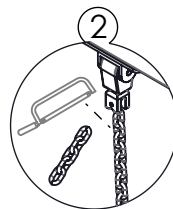
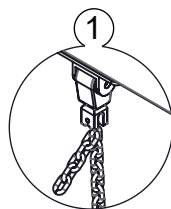
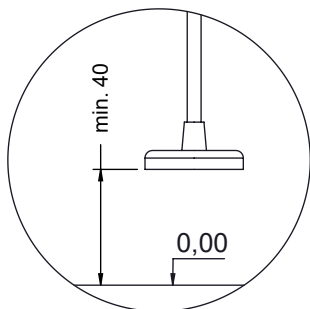
E212



E221



E223



[cm]



vinci
play

R1

x1



A

x2



B

x4

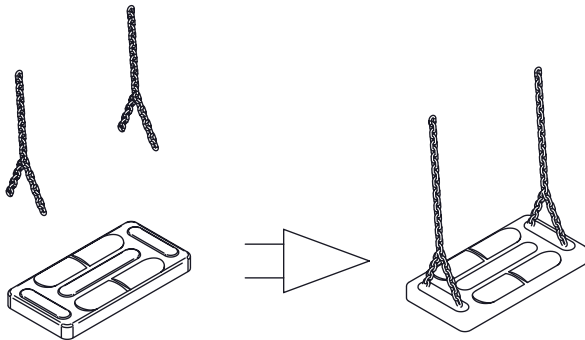


C

A + B + C

R1, R5

E164



R3

x1



A

x2



B

x2

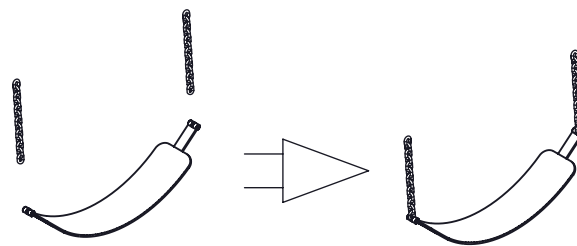


C

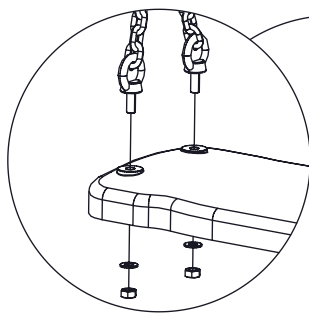
A + B + C

R3

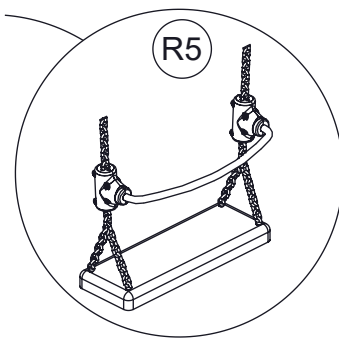
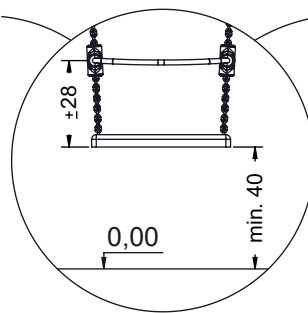
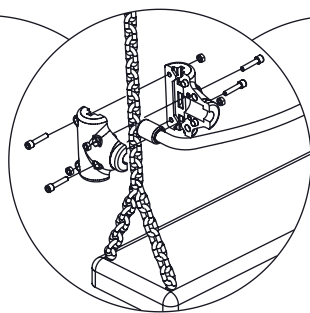
E168



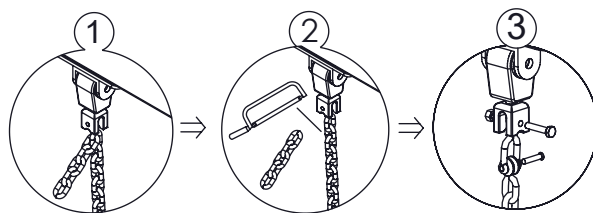
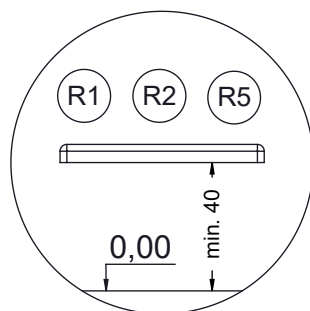
R5



E164



R5



vinci play