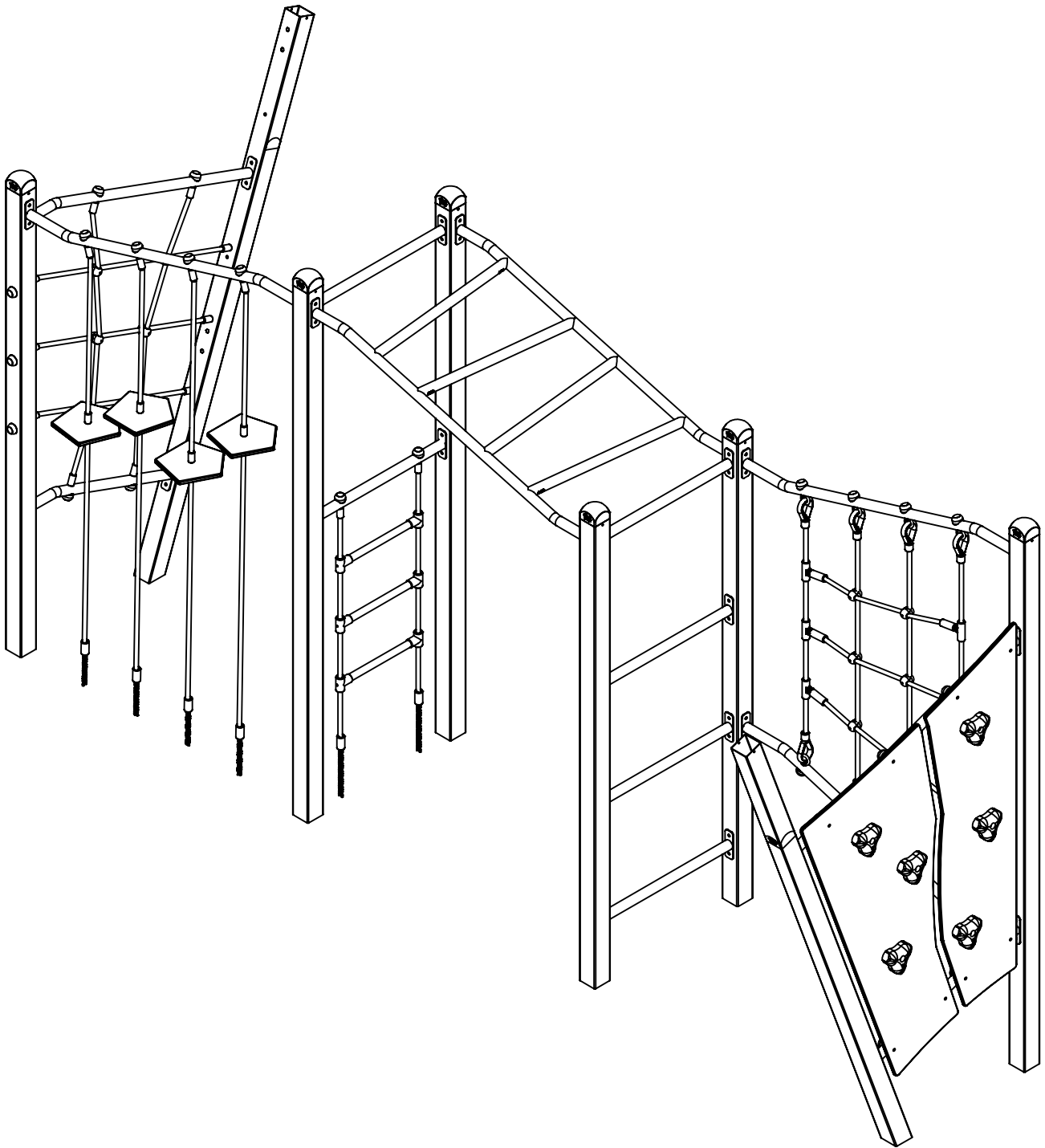


1716



x2

5,5h

225
HIC

48h

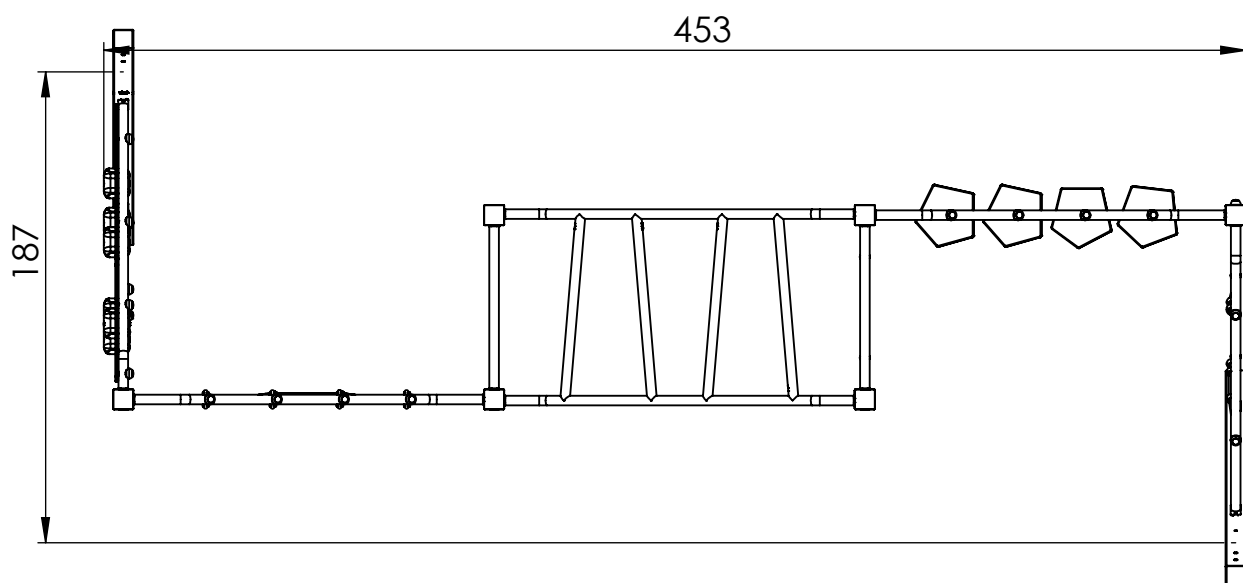
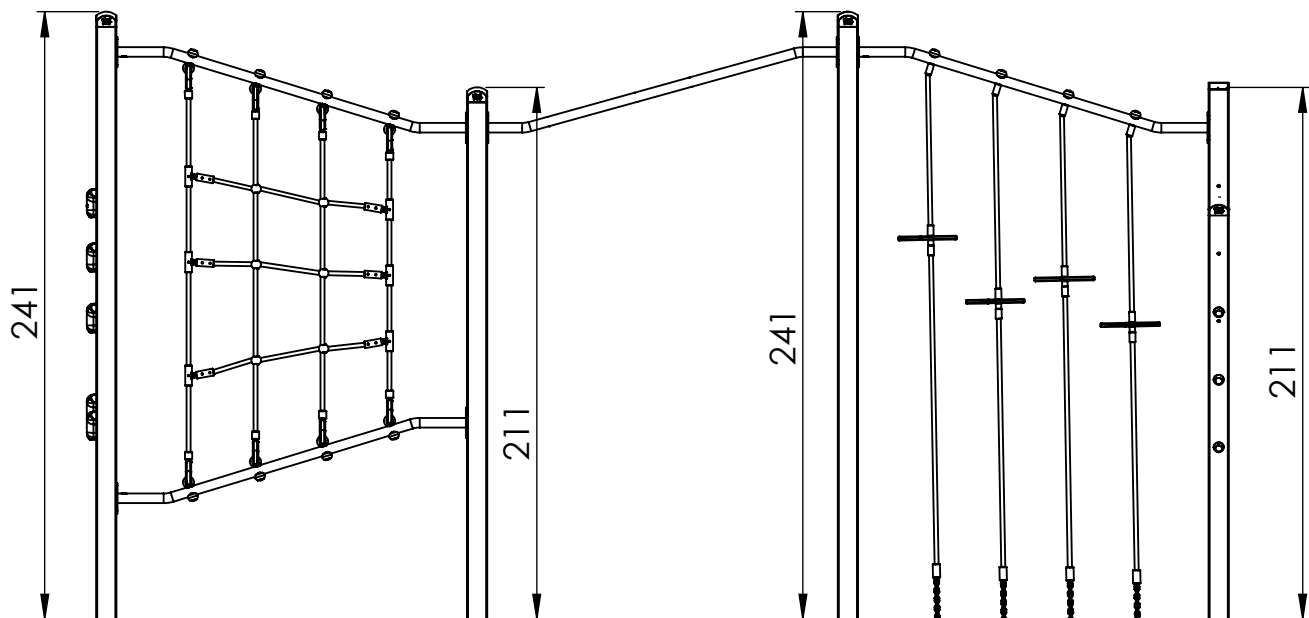


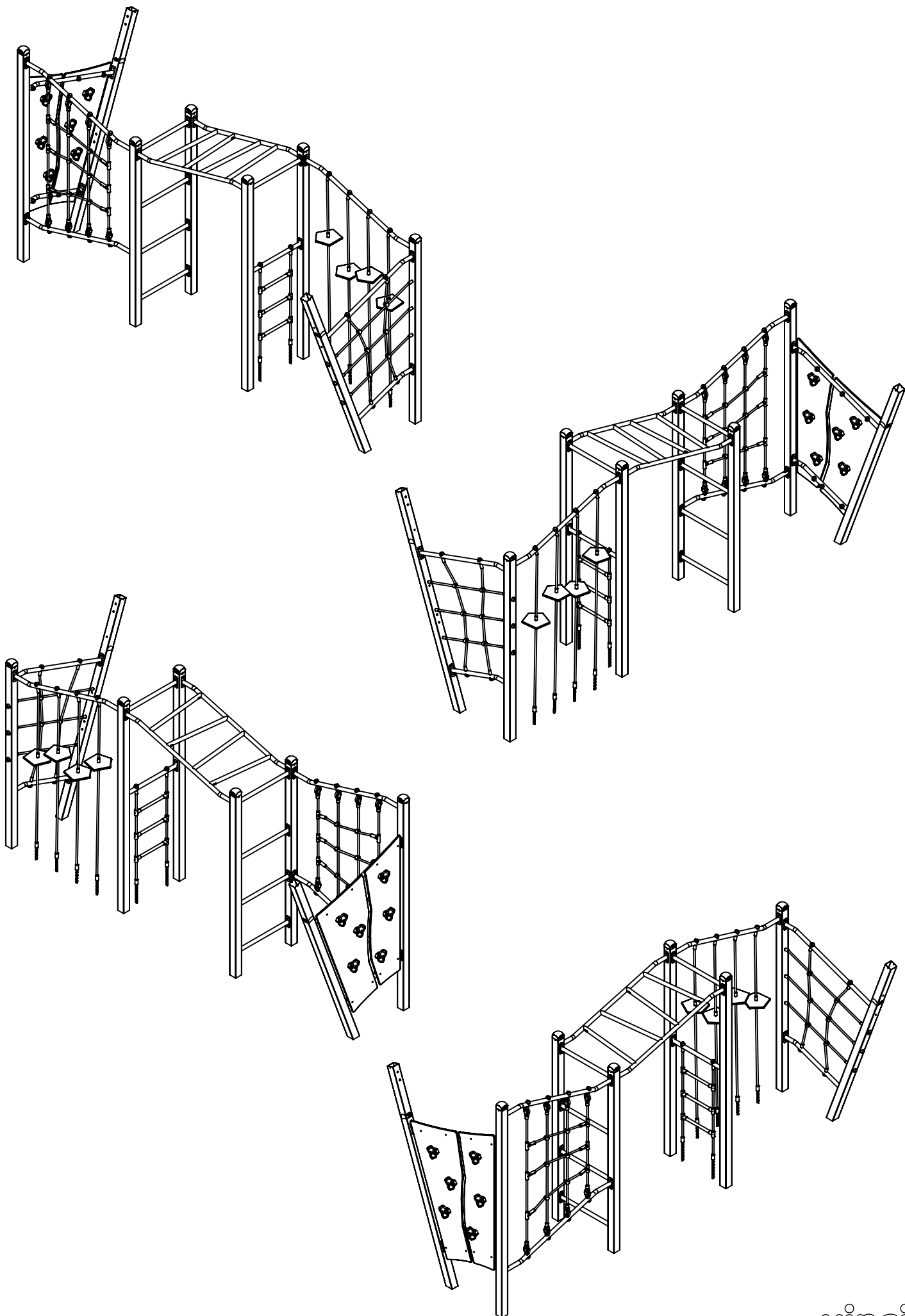
[cm]

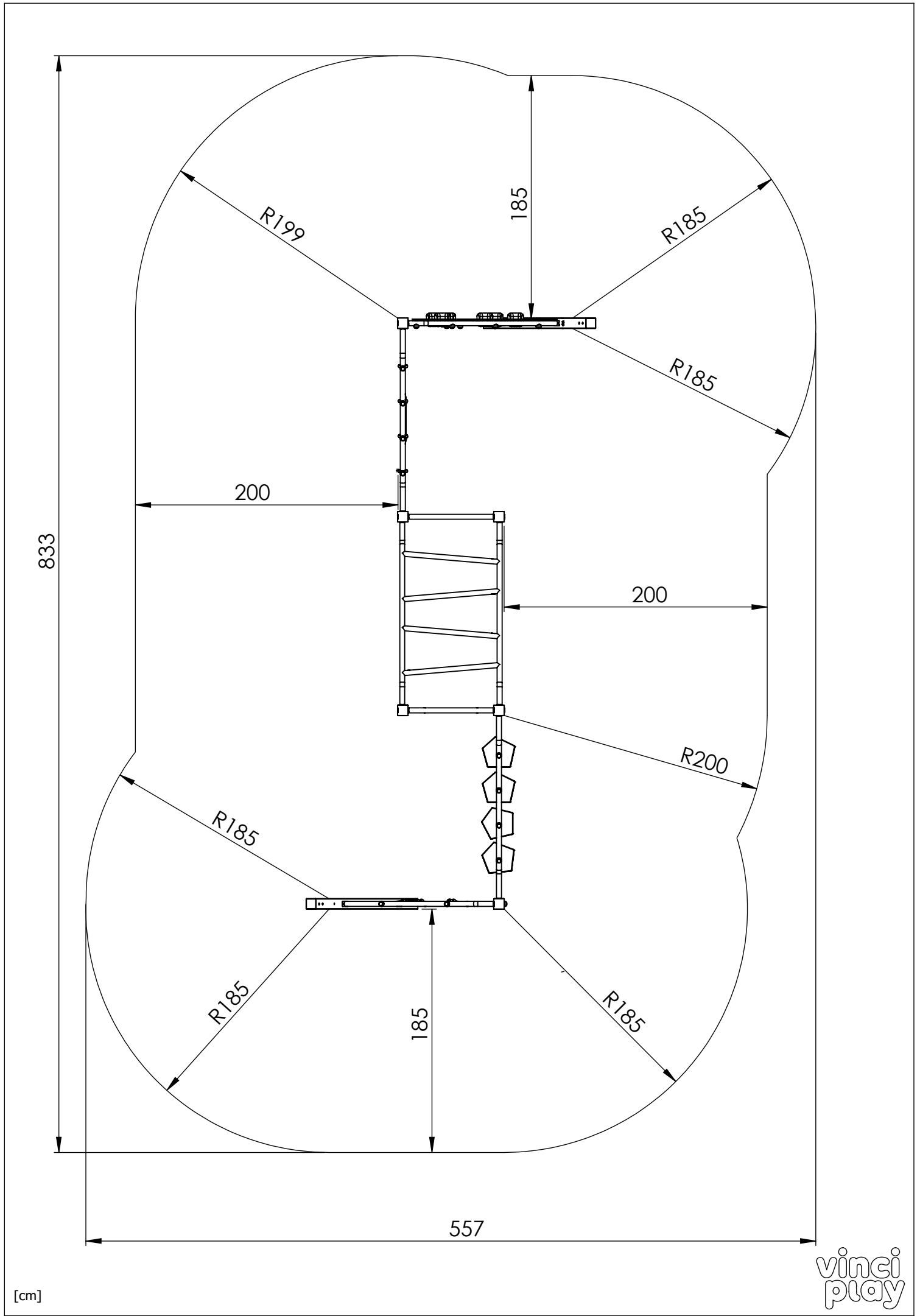
v011/15.12.2020

A.H.

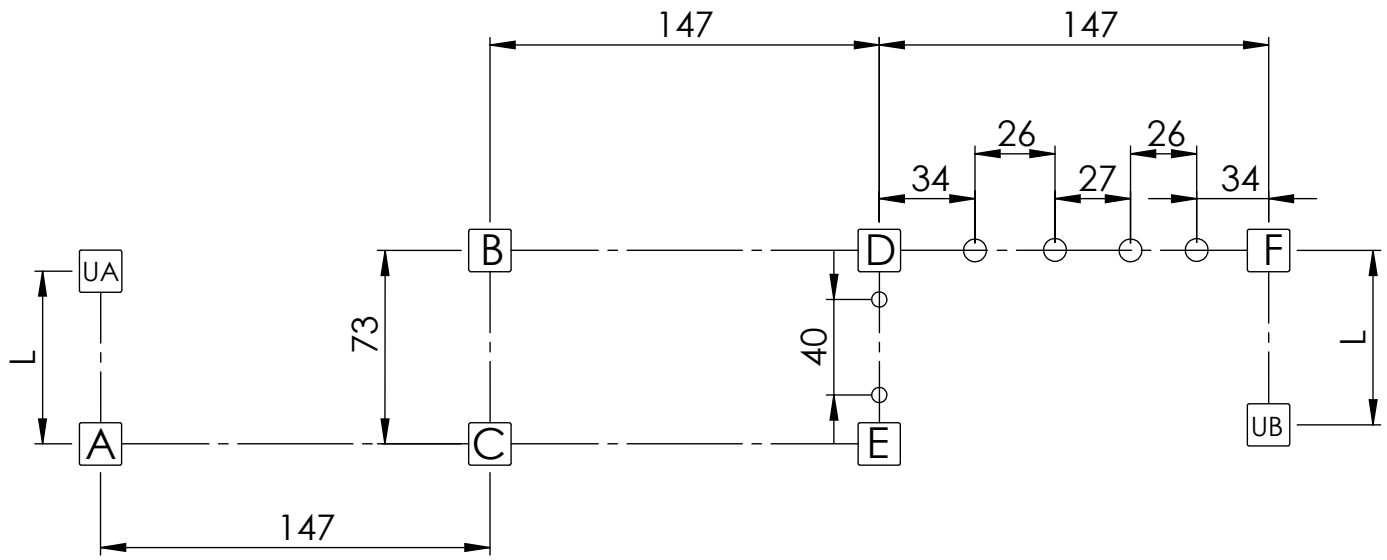
vinci
play



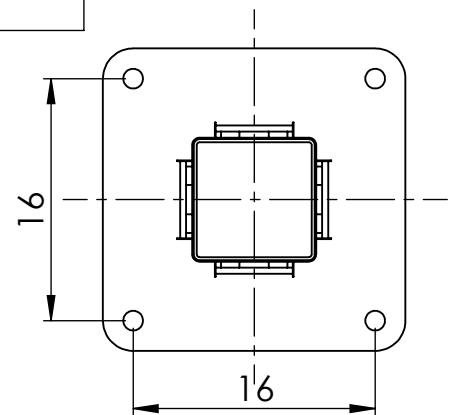
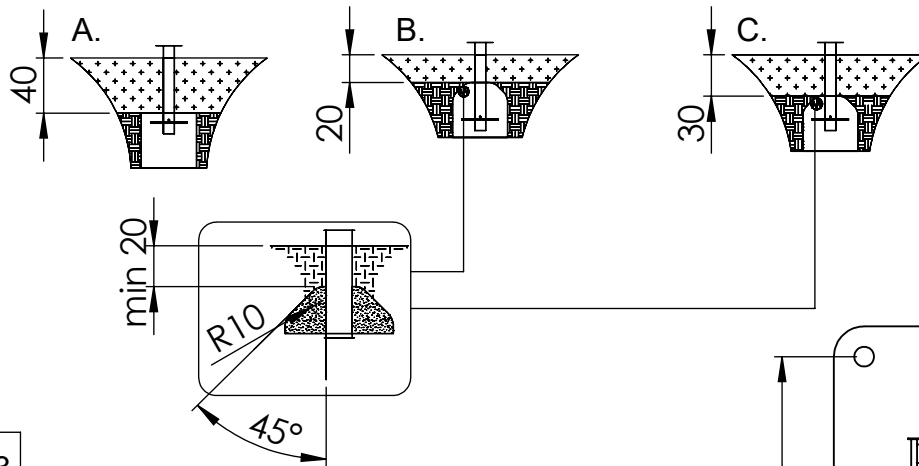




[cm]



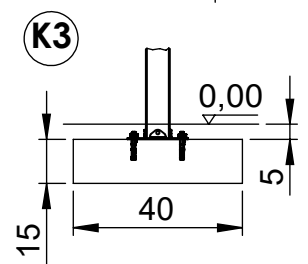
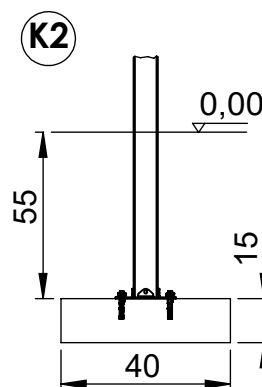
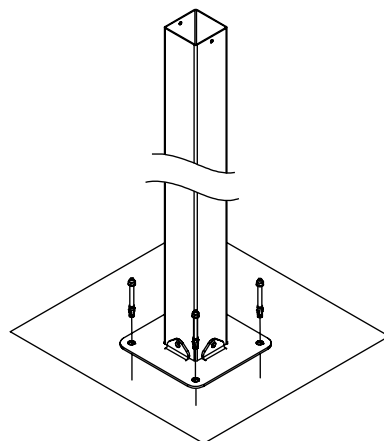
	L, cm
K1, K3	46
K3	64



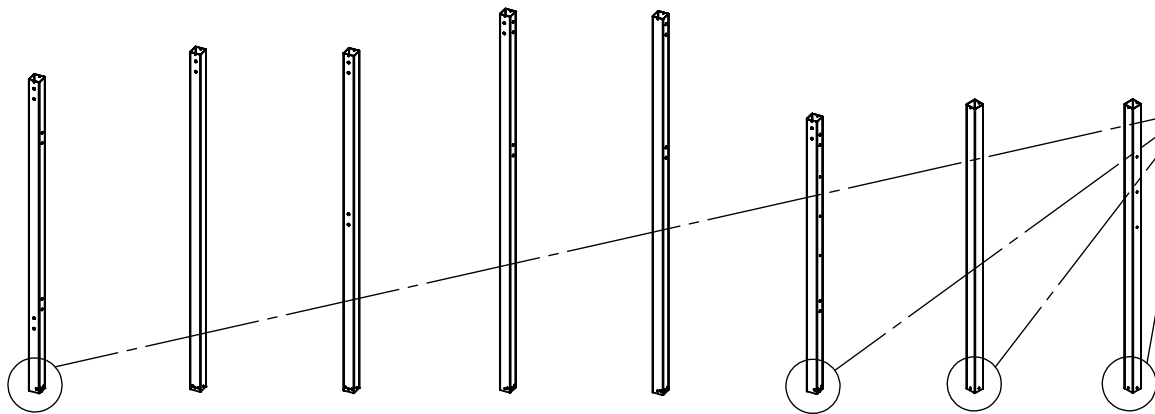
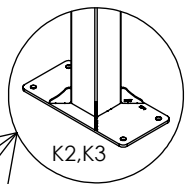
K2, K3

M10x120 x44

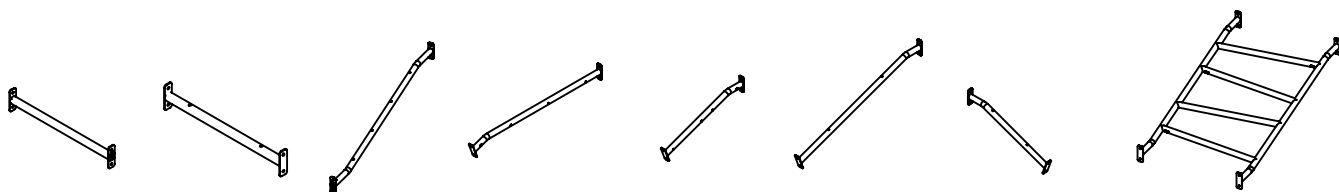
NOT INCLUDED



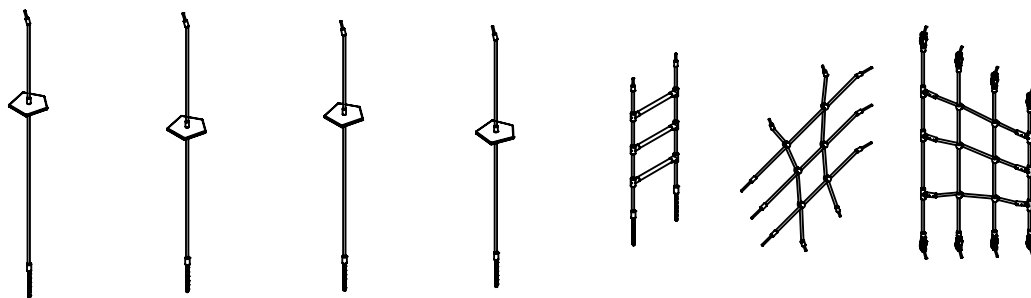
[cm]



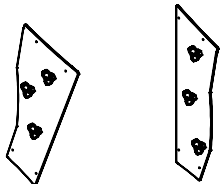
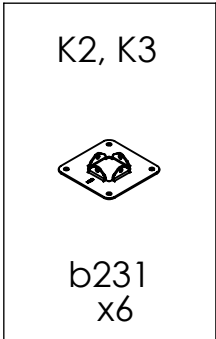
1716A x1 1716B x1 1716C x1 1716D x1 1716E x1 1716F x1 17UA x1 17UB x1



142117 x5 142137 x1 142138 x3 172102 x1 172103 x1 172104 x1 172105 x1 142126 x1



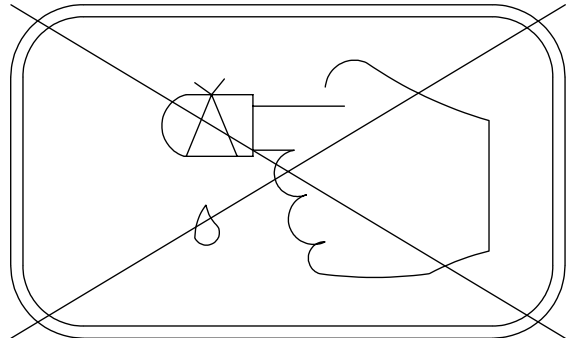
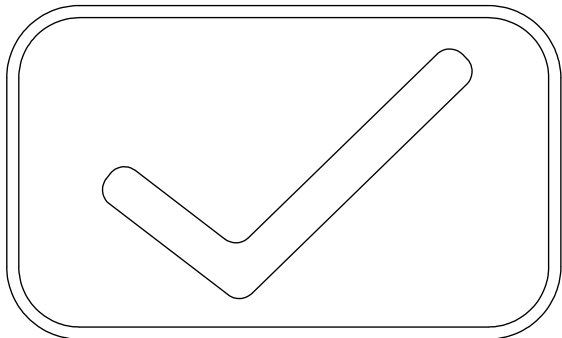
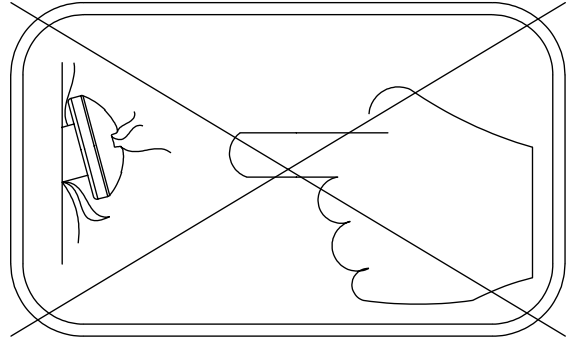
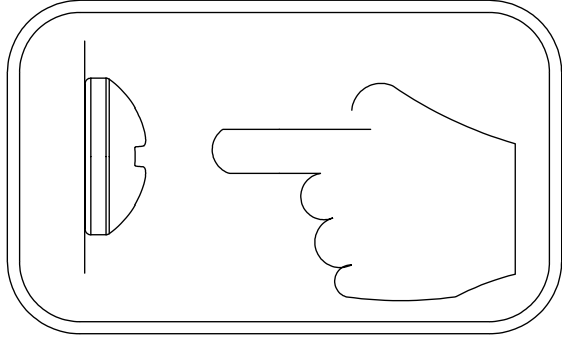
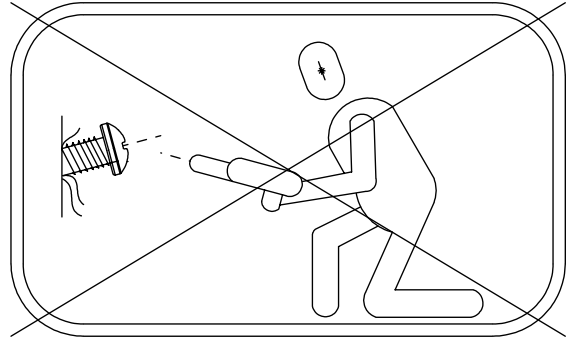
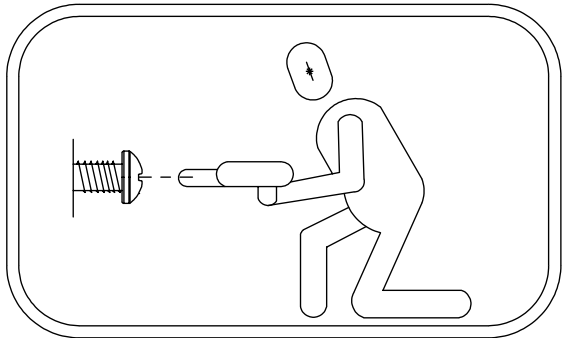
145136 x1 145137 x1 145138 x1 145139 x1 145102 x1 175100 x1 145108 x1



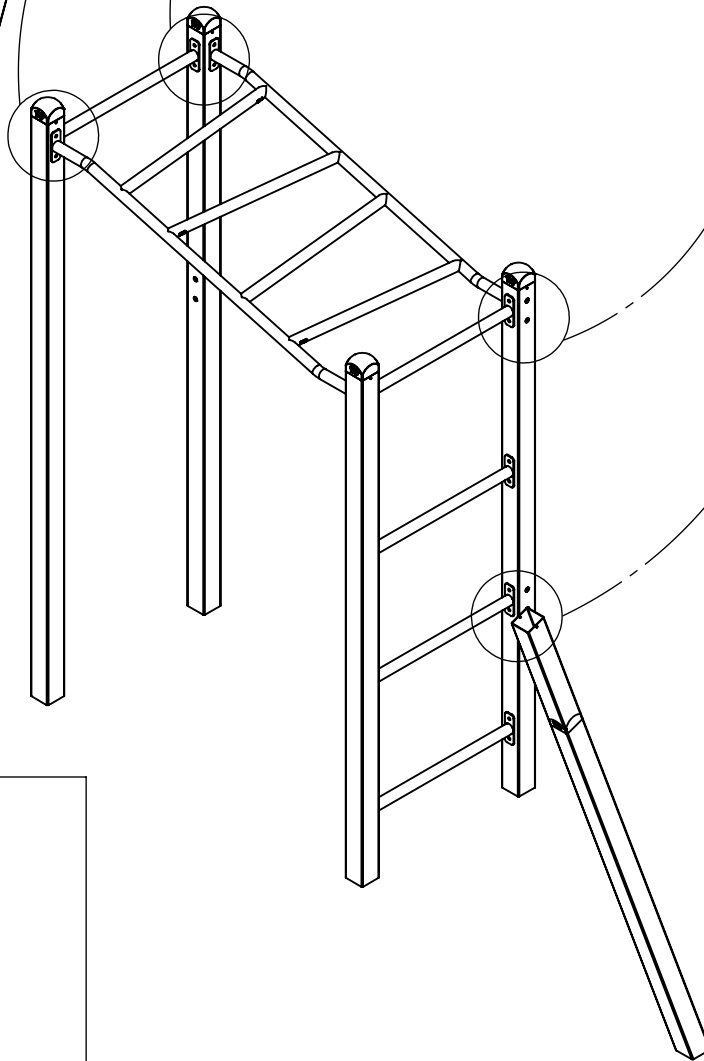
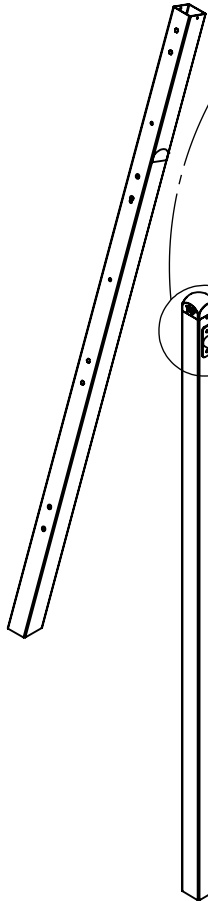
171207 x1 171208 x1

Qty.	ST/INOX
16	10 pp*
16	10 nh*
16	10x20 m*
60	10x25 ikl
1	17e004
3	17e012
3	17e014
6	17e052
1	GL (K2, K3)
1	V001

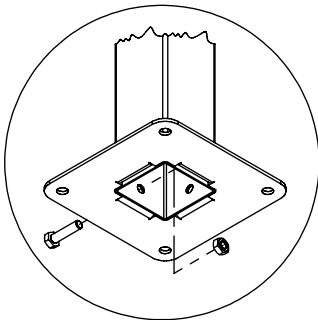
Qty.	HPL
1	17p011



28x 10x25iki



K2, K3



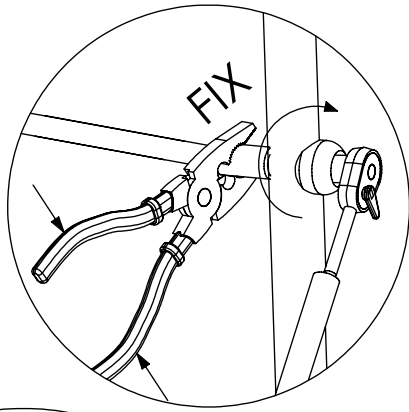
16x 10x20m

16x 10pp

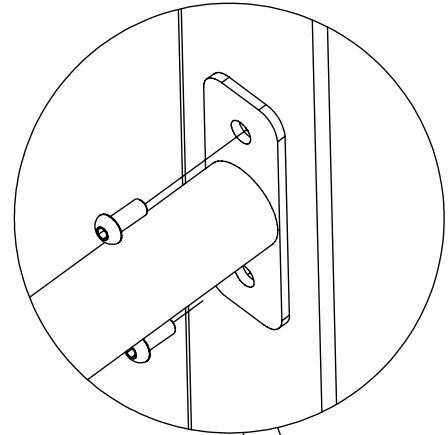
16x 10nh

[cm]

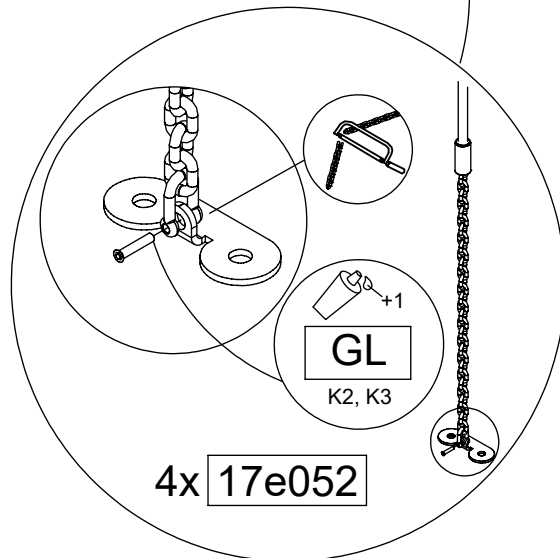
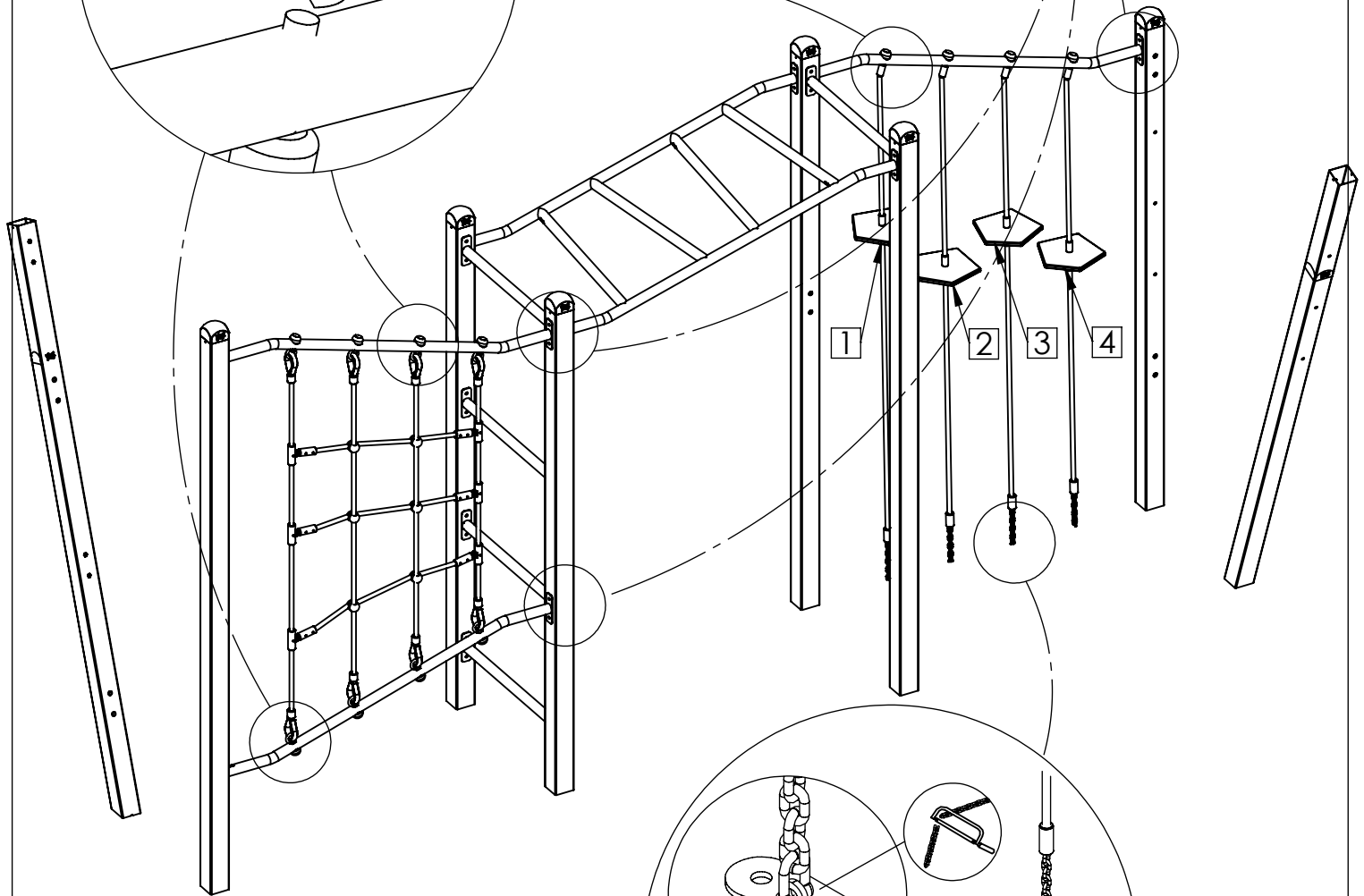
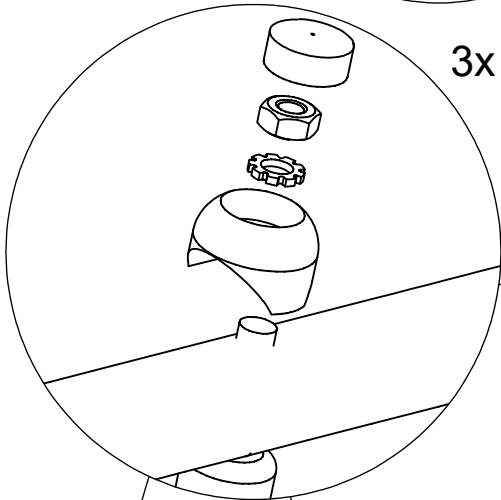
vinci
play



12x 10x25ikl

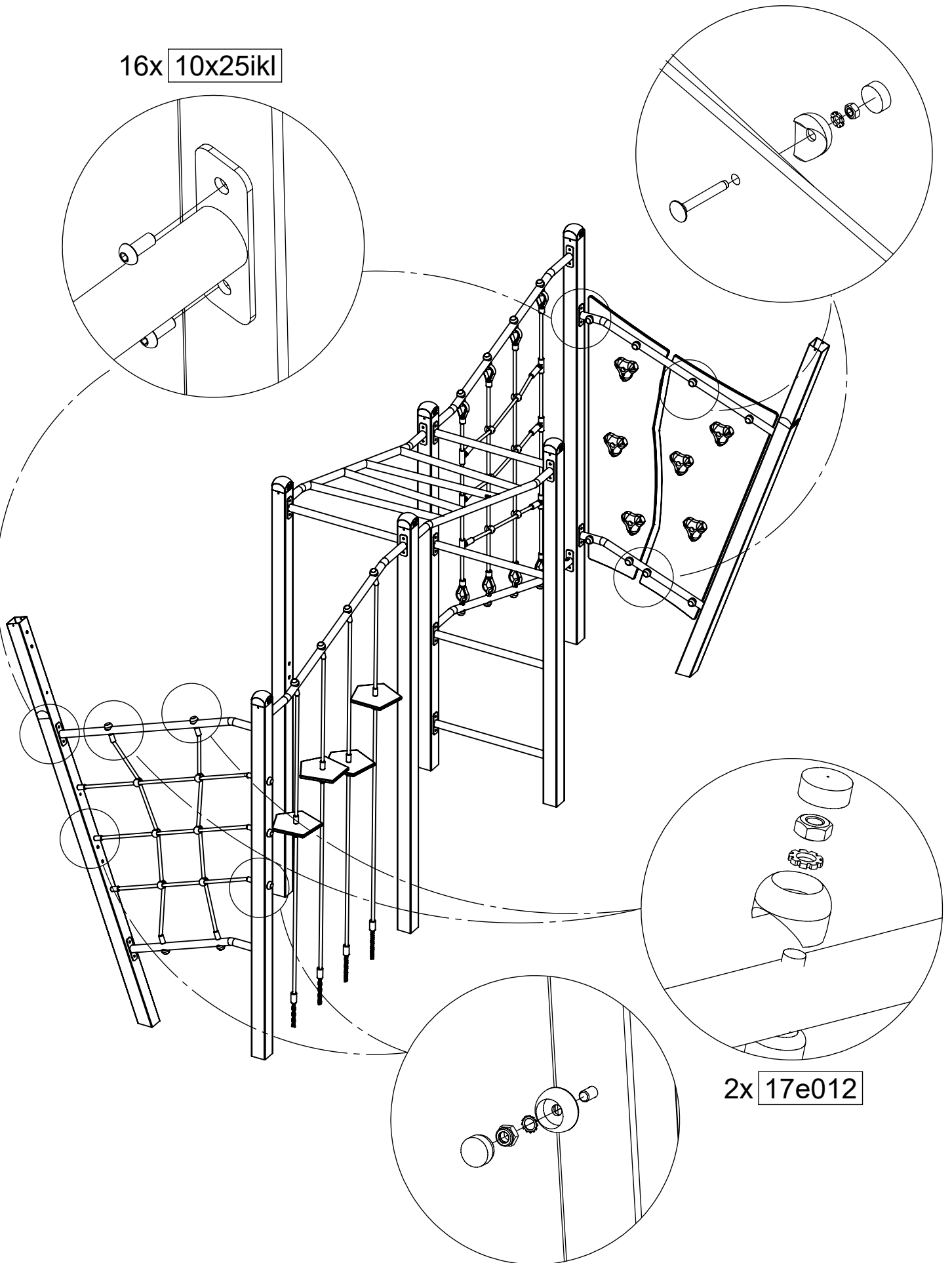


3x 17e014



1x 17p011

16x 10x25ikl



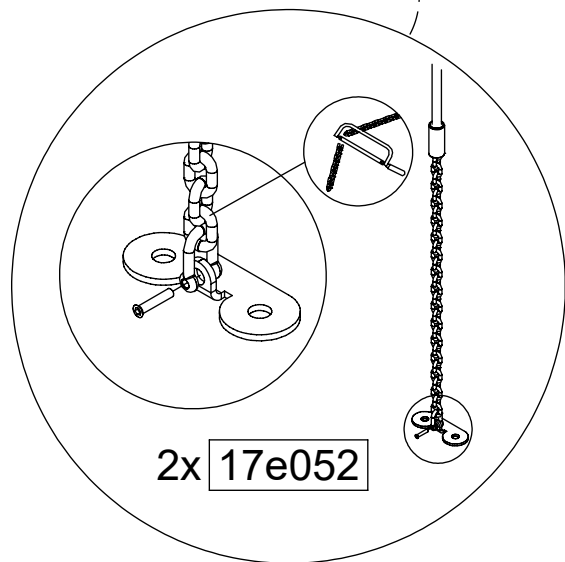
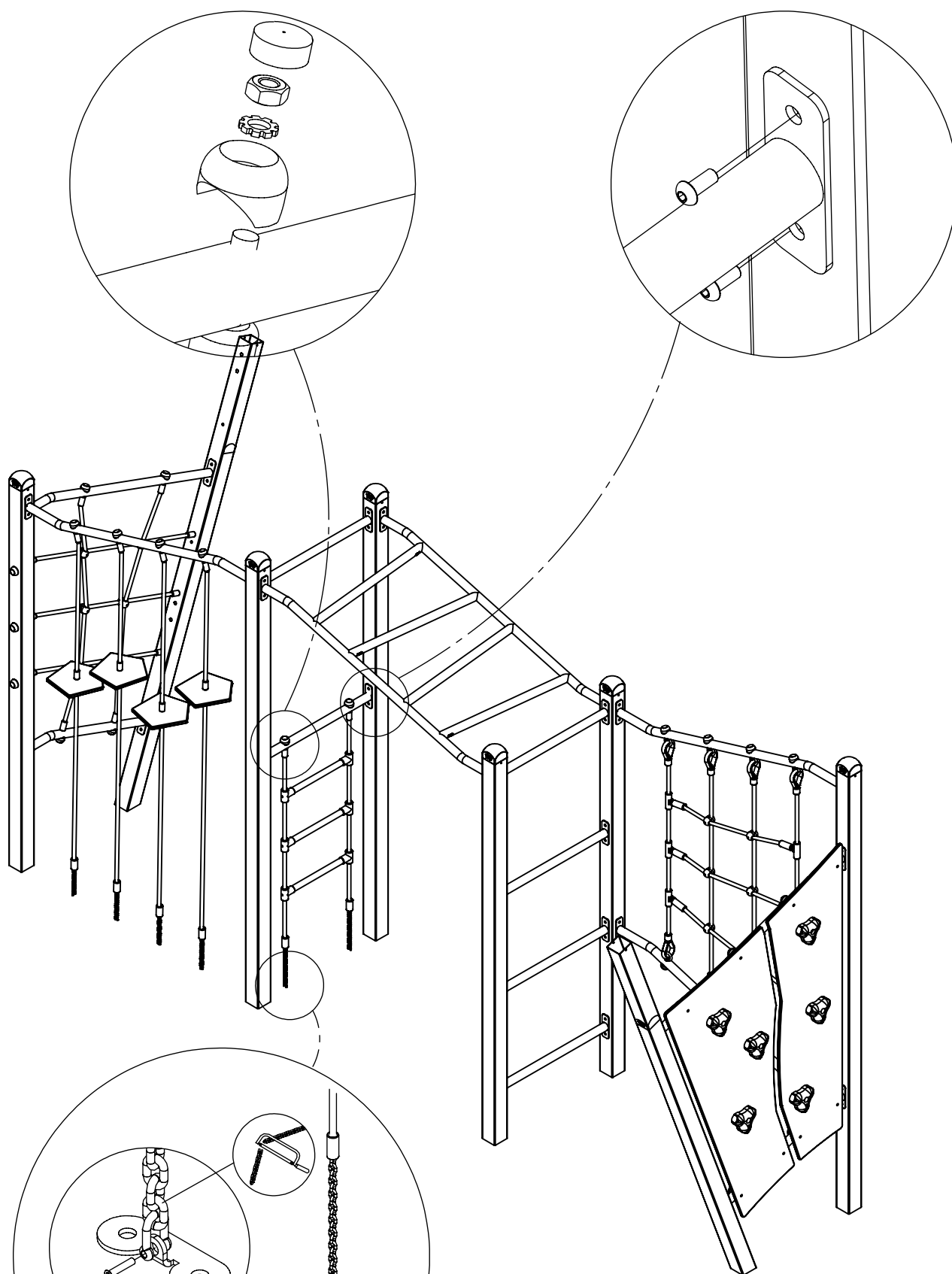
2x 17e012

1x 17e004

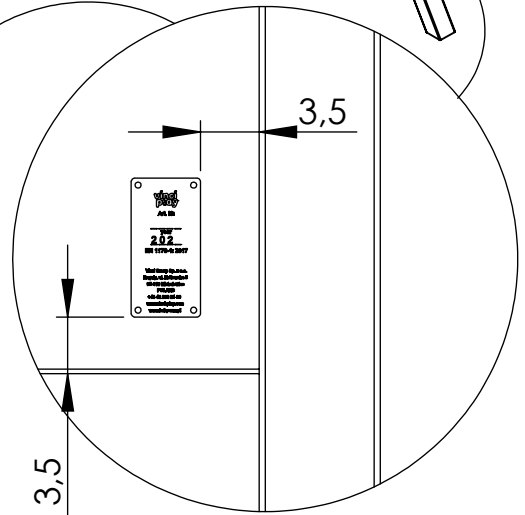
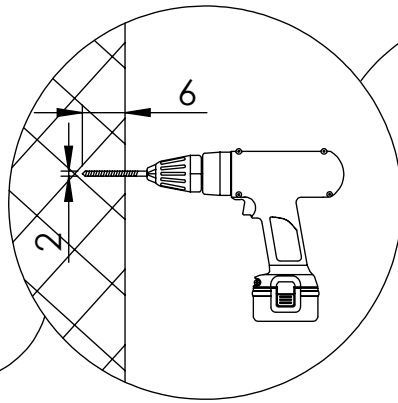
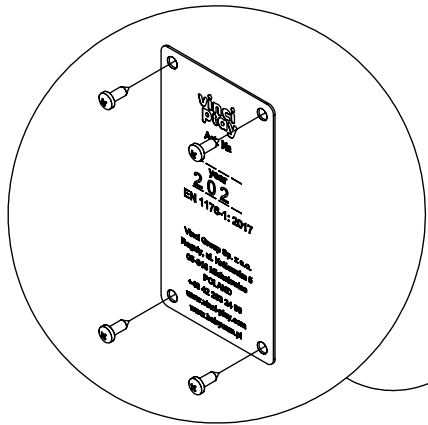
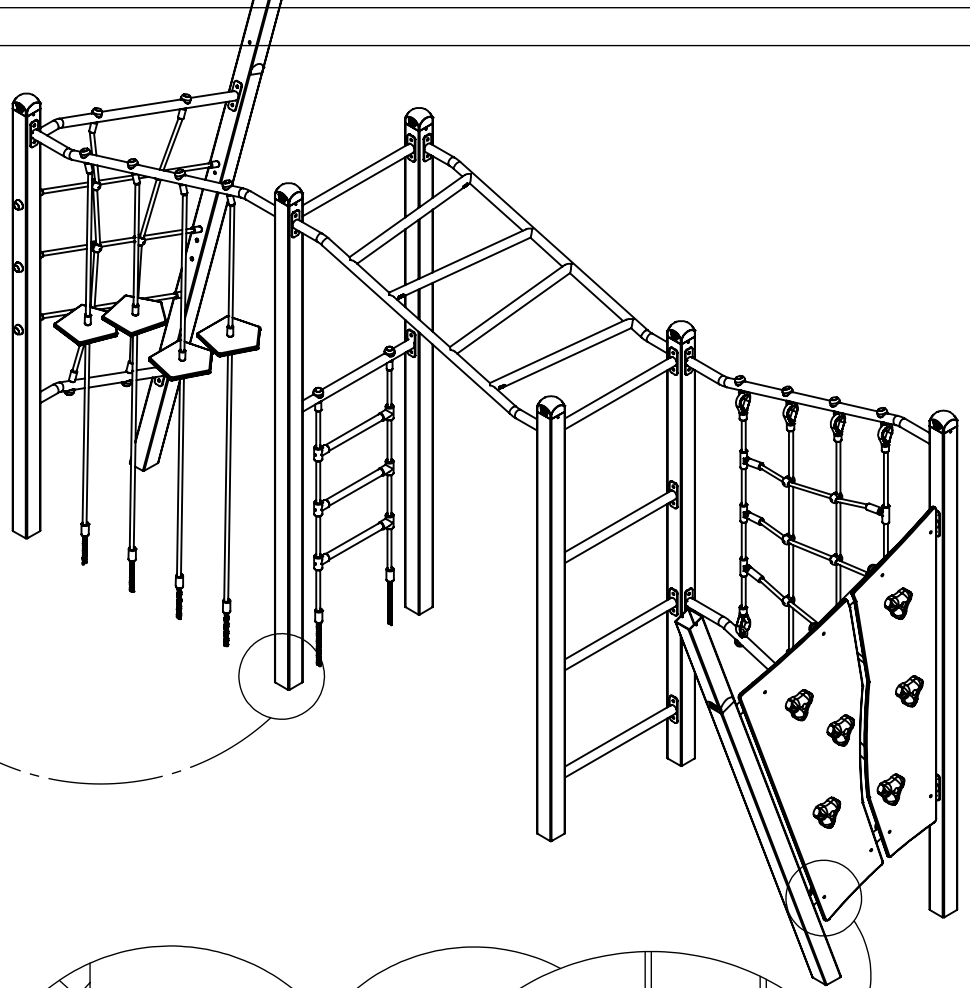
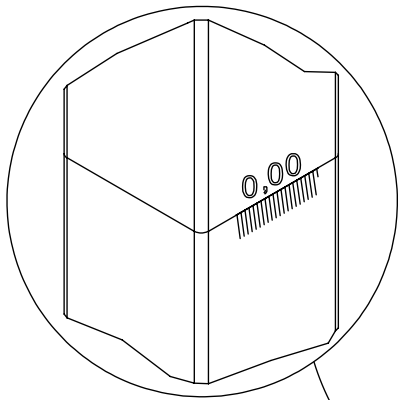
vinci
play

1x 17e012

4x 10x25ikl

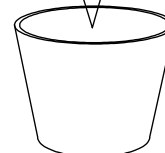
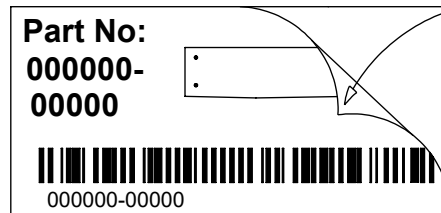


2x 17e052



V001

[cm]



vinci play