

Product technical sheet

CROOC 0330



5 - 14 years



110 kids



101,3 m²



Material specification

- Stainless steel and hot-dip galvanized and powder coated steel construction of 80x80 mm profile,
- Platforms and climbing walls made of durable anti-slip and waterproof HPL plate,
- Roofs and side panels and seats made of durable HPL plate, resistant to weather conditions,
- Stainless steel tube slide,
- Moving elements made of durable HPL plate, resistant to weather conditions,
- Windows and/or elements made of polycarbonate,
- Spherical windows made of polycarbonate,
- Telescope made of stainless steel and durable HDPE plate, resistant to weather conditions,
- Flags / sails made of durable HPL plate, resistant to weather conditions,
- Rudder made of durable HDPE plate, resistant to weather conditions,
- Flowers made of durable HPL plate, resistant to weather conditions; underground installation made of synthetic material connects 2 stainless steel profiles allowing the communication,
- Durable climbing stones made of polyester resin composite with mineral fillers,
- Steel ropes in polypropylene braid, connected with durable plastic elements, stainless steel or aluminum,
- Ladders made of steel ropes in polypropylene braid and rungs made of synthetic material,
- Attested, safe seats,
- Calibrated stainless steel chains, preventing fingers entrapment,
- Stainless steel bars and handrails,
- Screws covered with plastic caps and/or stainless steel screws,
- Safe end caps on top of the structure made of rubber or polypropylene,



Facilitating disability



easy access



integration



Intellectual development



manipulation



music



sight



thinking



Physical development



hiding



sliding



rest



climbing



rocking





9
number of towers



1
number of slides



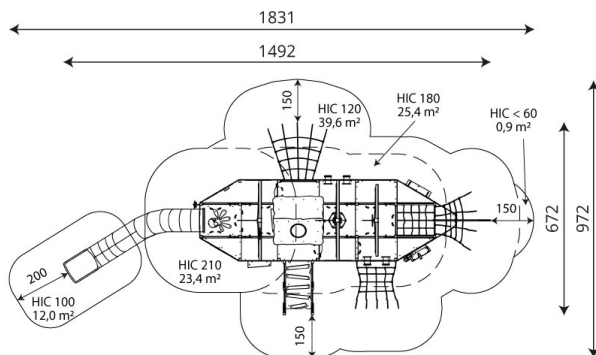
1
number of roofs



28
number of interactive elements



10
number of activity elements



Product technical sheet

CROOC 0330

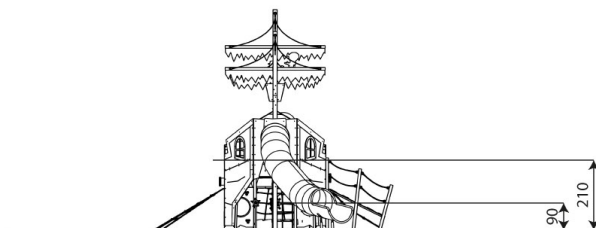
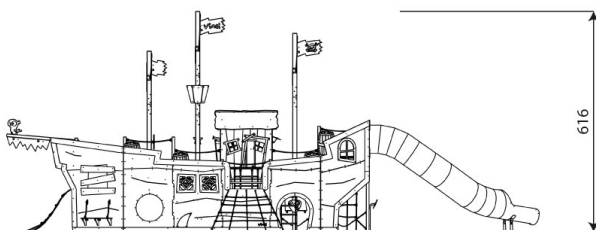
Product data

Length	1492 cm
Width	672 cm
Total height	616 cm
Age group	5 - 14 years
Number of users	110 kids
Safety zone	101,3 m2
Free fall height	210 cm
The height of the platforms	90, 110, 120, 150, 180, 210 cm
In accordance with norm EN	1176-1:2017
Weight of the heaviest part	48 kg
Dimensions of the largest part	370x8x8 cm
Availability of spare parts	YES
Installation time	35 h

Data is subject to change without prior notice.

Additional information

- equipment adapted for the disabled; intended for public playgrounds;
- equipment has a certificate issued by an accredited entity or a declaration of conformity;
- no sharp edges or chinks that would pose a danger of jimmie the head, fingers or any other body parts;
- anchoring on flat surface, 80/70/60 cm deep;
- anchoring on flat surface, 100 cm deep;
- slide should not be installed southwards;
- render is for reference only, the actual appearance of the equipment and its color may vary;



Guarantee

30

30 year guarantee - Structural strength of steel and stainless steel components

15

15 year guarantee - Structural failure of steel and stainless steel, for dynamic equipment

10

10 year guarantee - Structural failure of high density polyethylene and high pressure laminates components

5

5 year guarantee - Corrosion of stainless steel and hot dip galvanized and powder coated components; against bark beetles and rot in case of wooden structural elements

Detailed information in the guarantee card

Vinci Group Sp. z o.o.
Seminarnyja 9 Street
99-400 Łowicz

VAT: 534-250-14-46
PHONE: +48 42 203 24 99 ext. 26
M: +48 793 404 991



biuro@vinci-play.com
info@vinci-play.com
www.vinci-play.com

Surfaces according to EN 1176-1:2017

	Description (mm)	Layer thickness (cm)	Maximum fall heights (cm)
Turf/ top layer of soil (A,B,C)	-	-	≤100
bark (A,C)	Particle size from 20 to 80	30	≤200
		40	≤300
woodchips (A,C)	Particle size from 5 to 30	30	≤200
		40	≤300
sand or gravel (A,C)	Particle size from 0,25 to 8	30	≤200
		40	≤300
synthetic attested (A,B,C)	Tested according to EN 1177		210

Product technical sheet

CROOC 0330

Amount of safe surface corresponding with free fall height:

HIC <60	0,9 m ²
HIC 100	12,0 m ²
HIC 120	39,6 m ²
HIC 180	25,4 m ²
HIC 210	23,4 m ²

Data is subject to change without prior notice.

