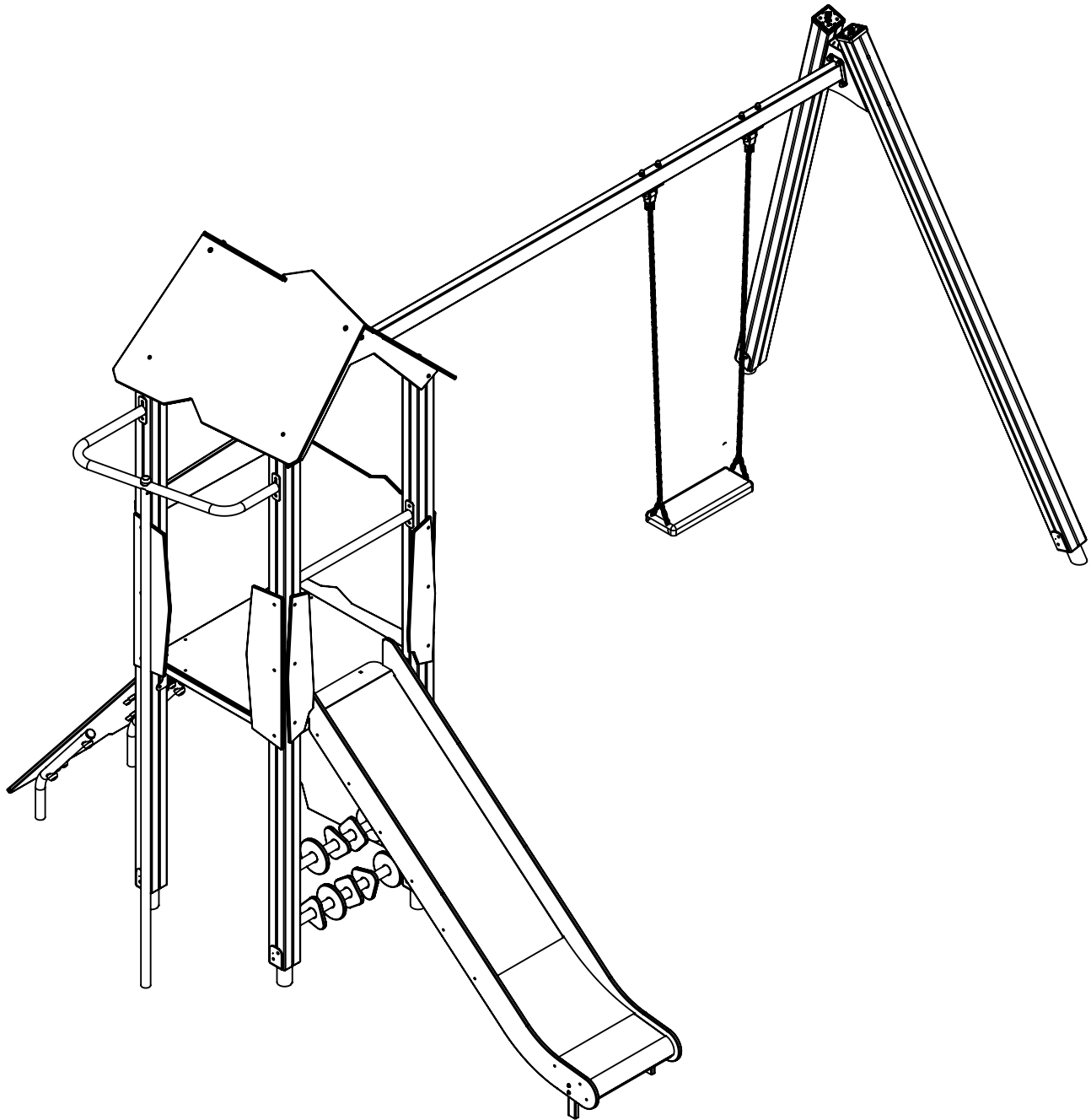
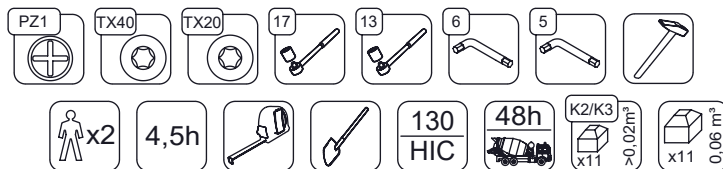


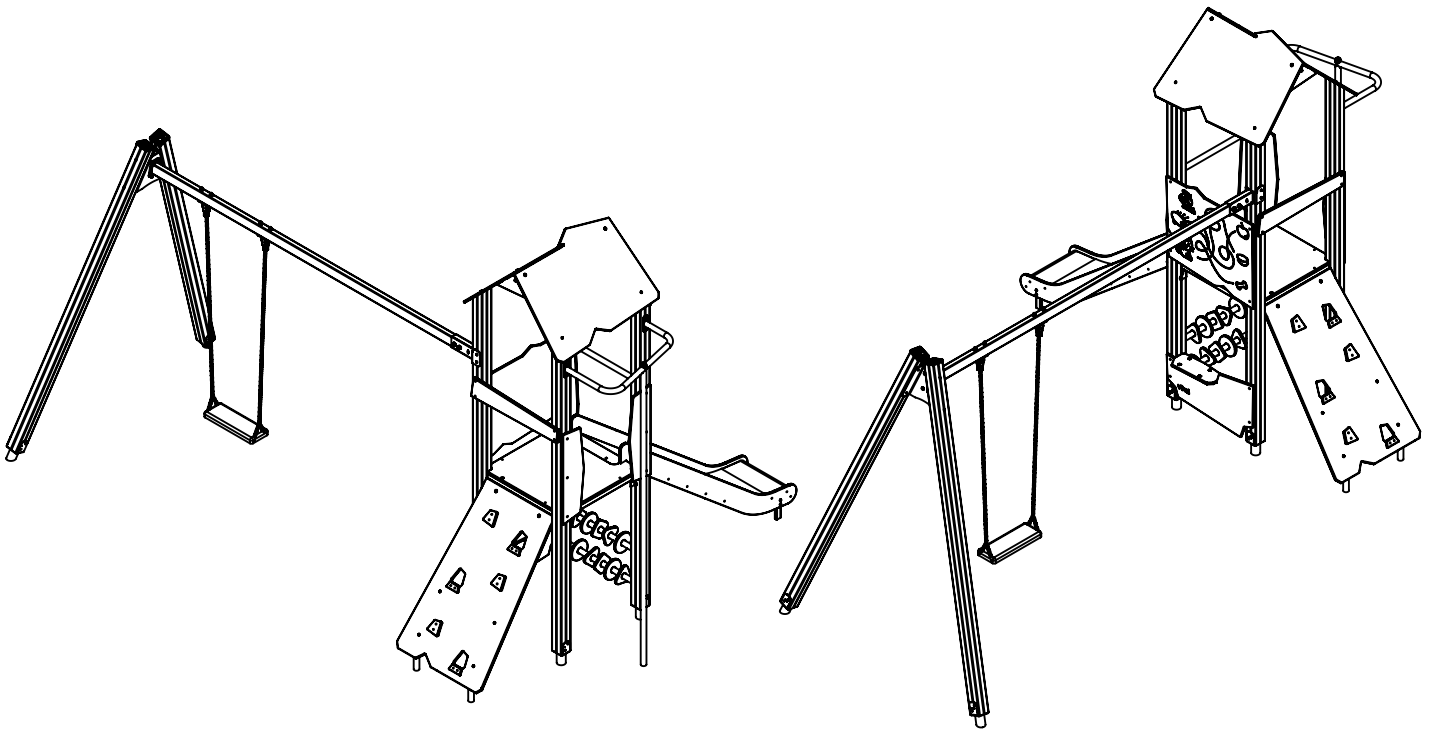
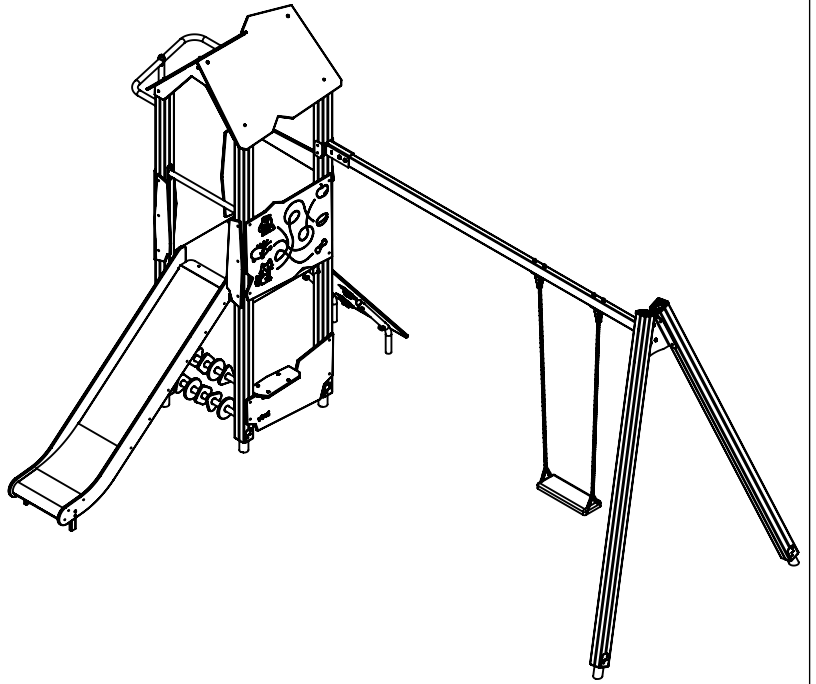
WD1438



v013
25.01.2021
A. H.
[cm]

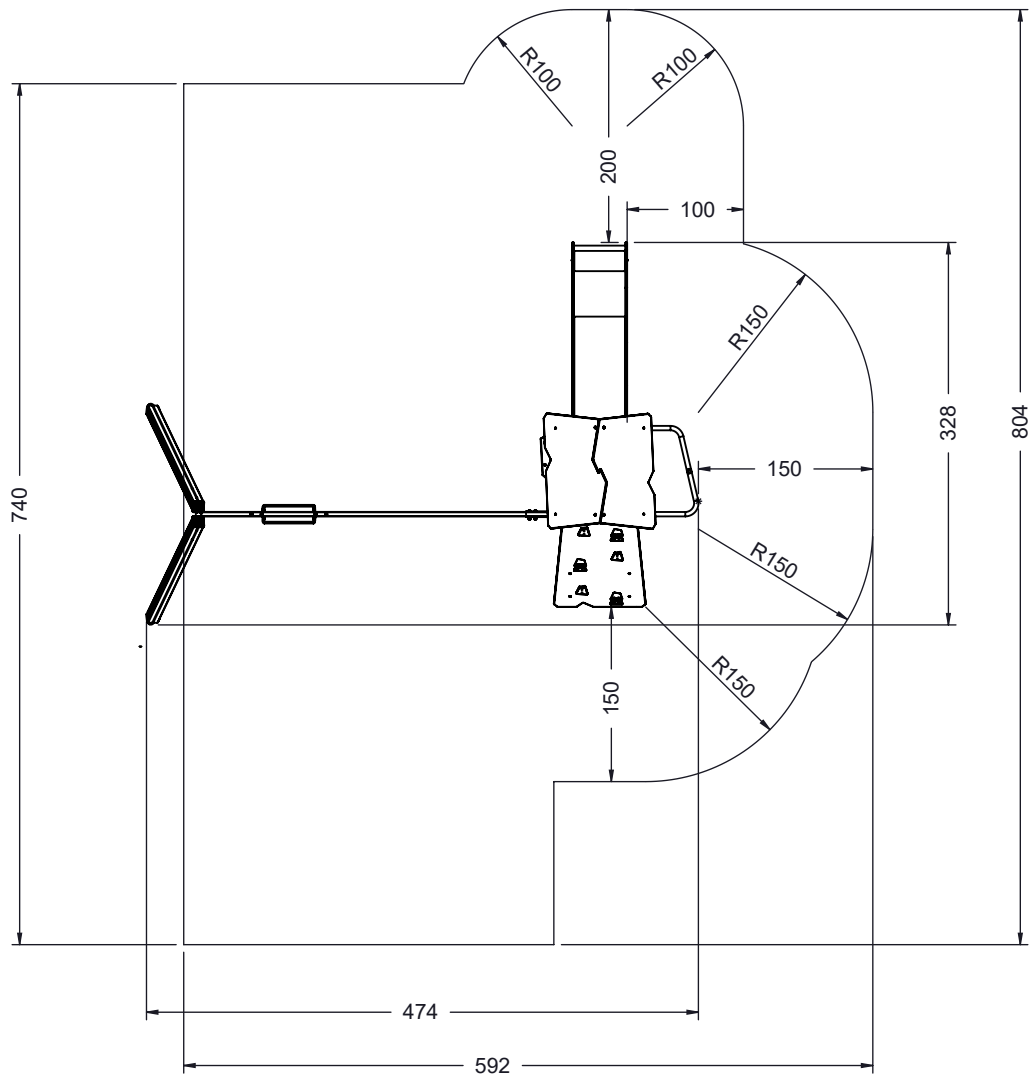
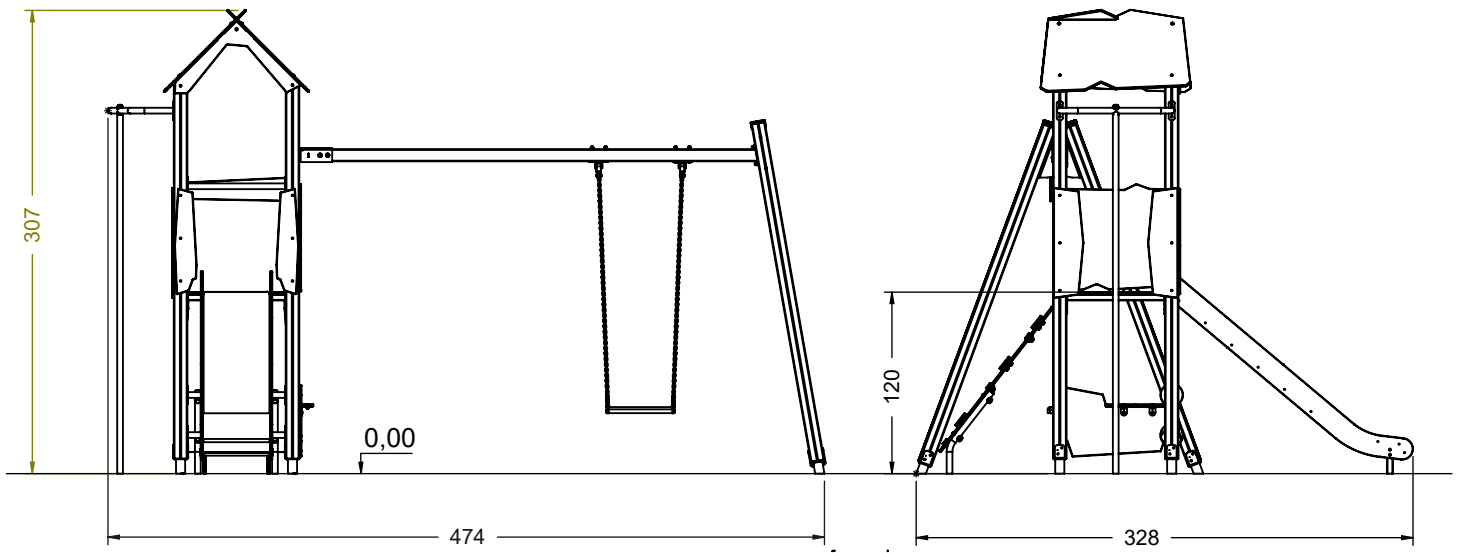


vinci
play



[cm]

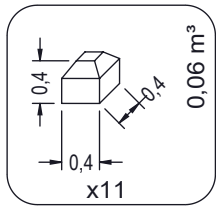
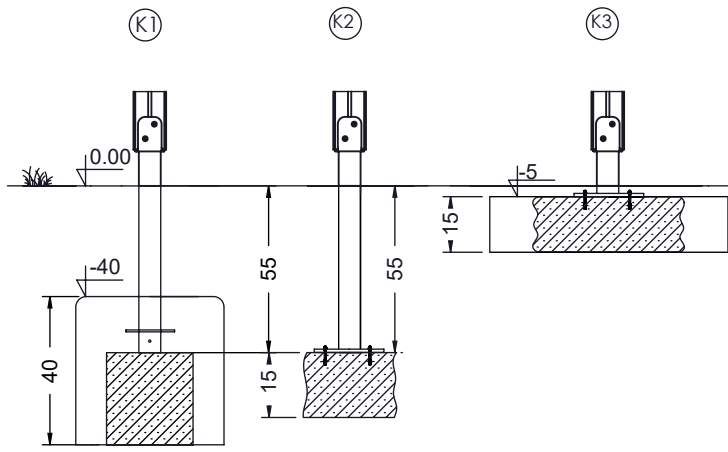
vinci
play



[cm]



vinci
play

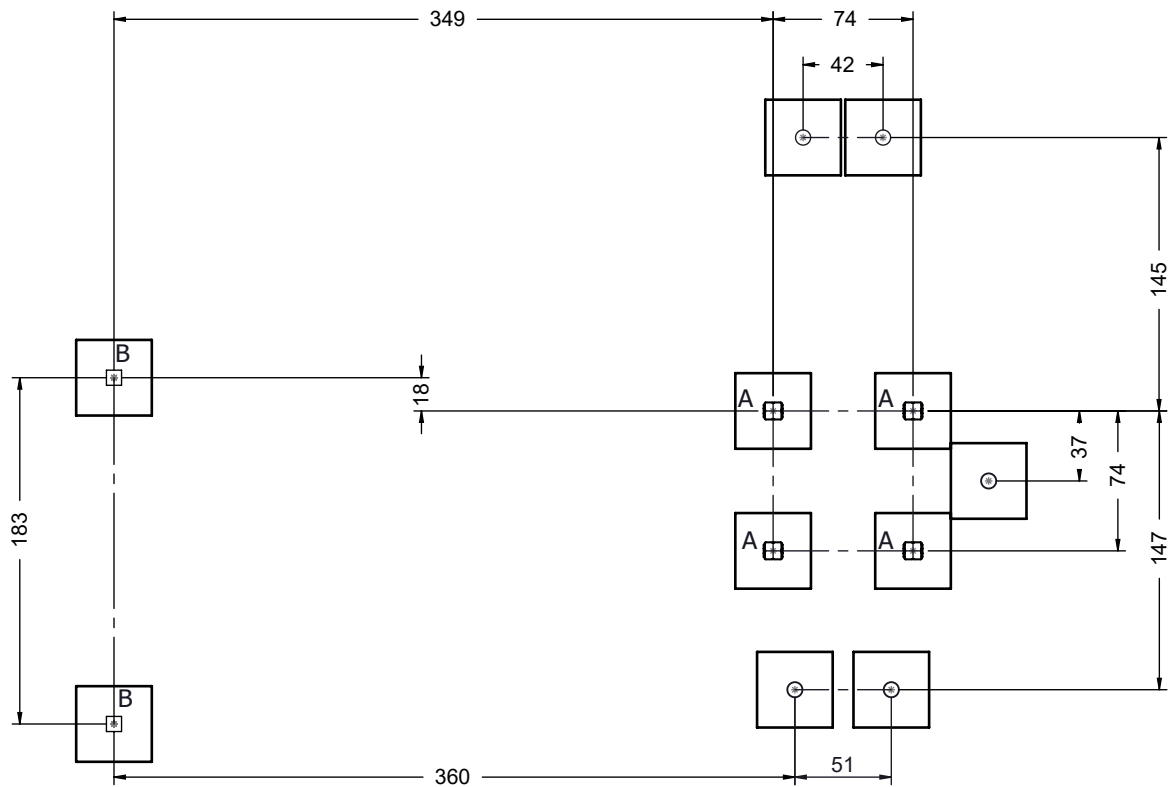
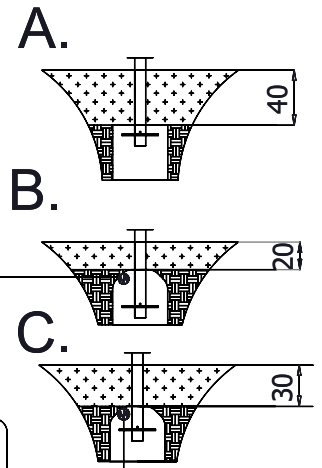
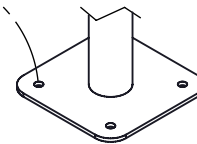
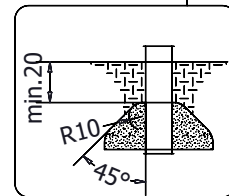


6x M8x120 (K2)
4x M8x120 (K3)

NOT INCLUDED

24x M10x120 (K2)
26x M10x120 (K3)

NOT INCLUDED

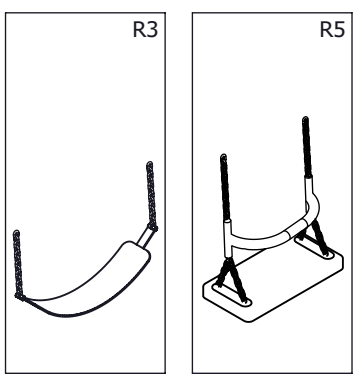
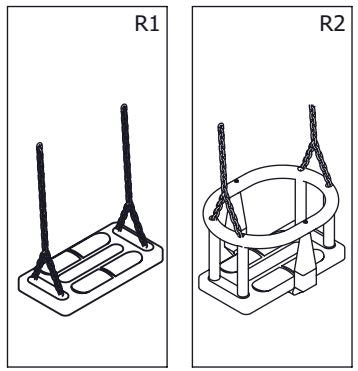
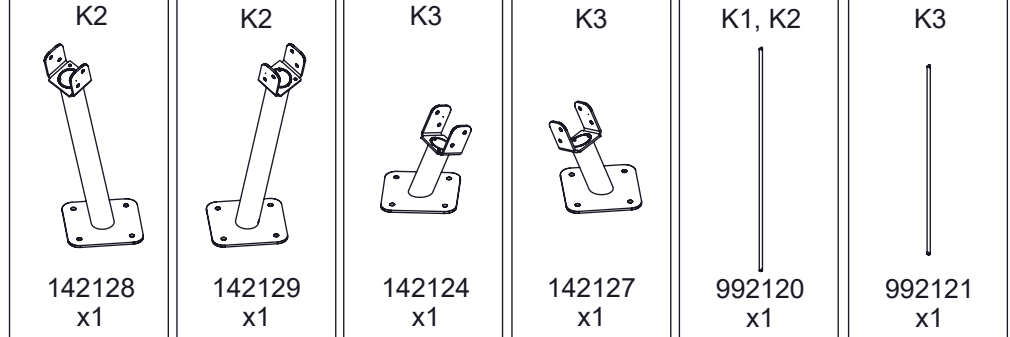
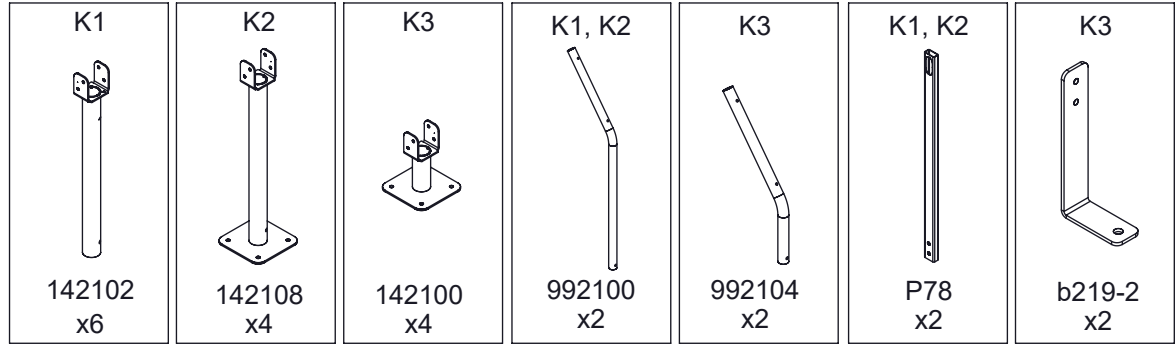
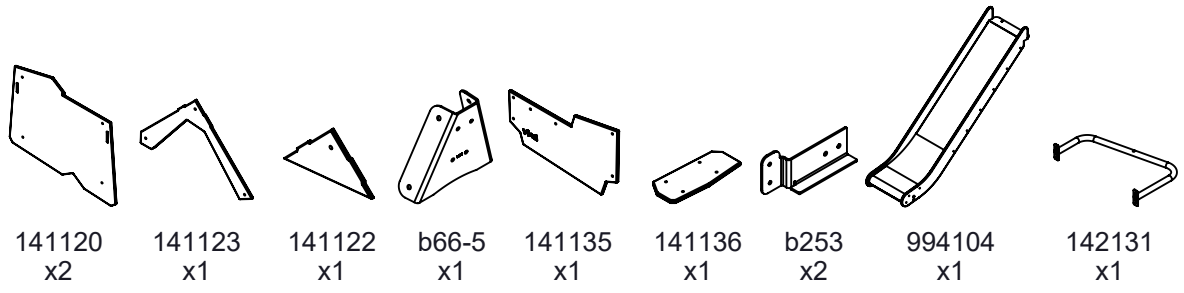
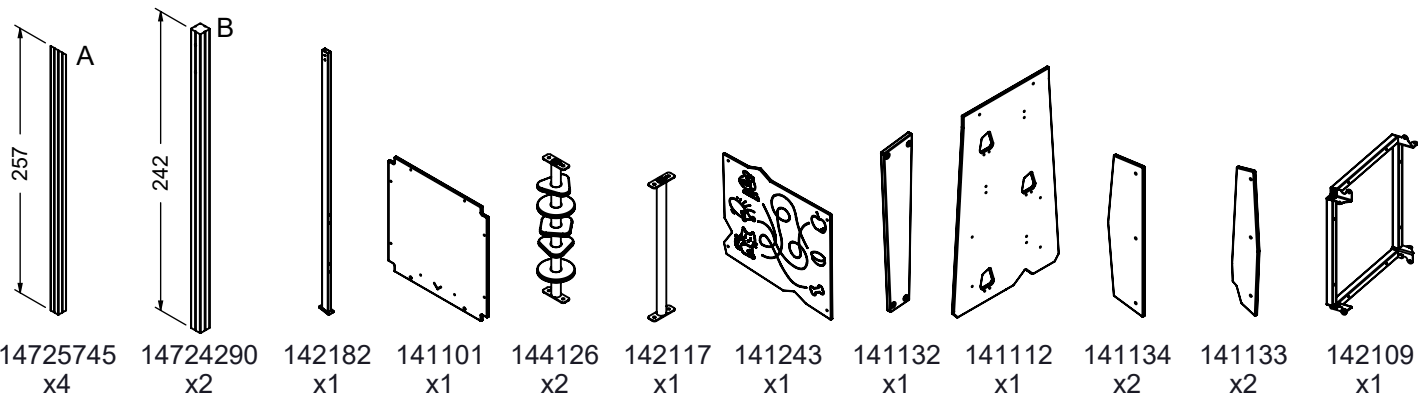


[cm]

x2
 4,5h

 48h
 x11 0,06 m³
 x11 >0,02m³

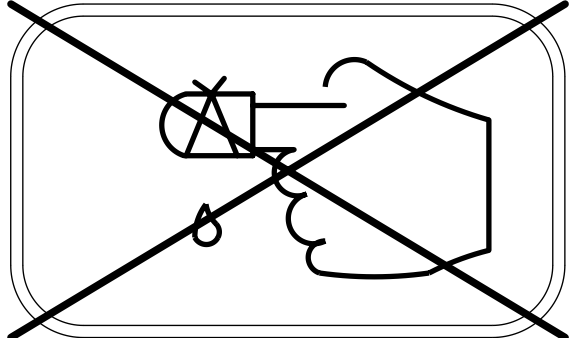
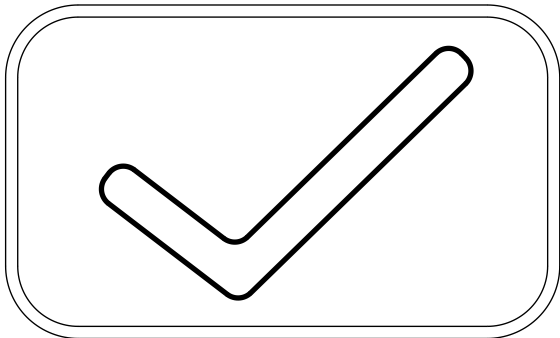
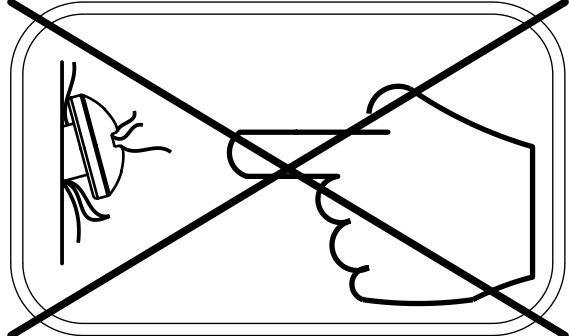
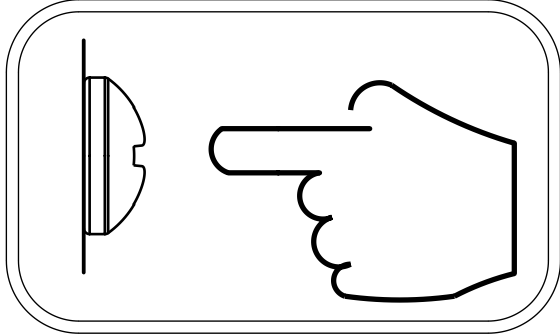
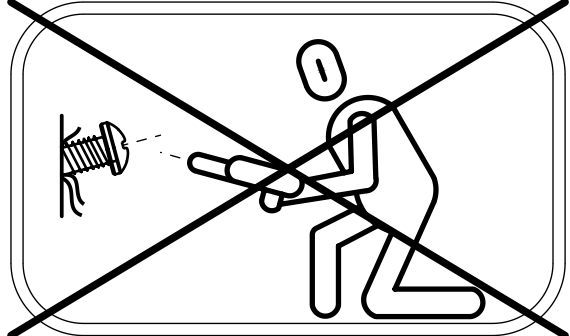
vinci play

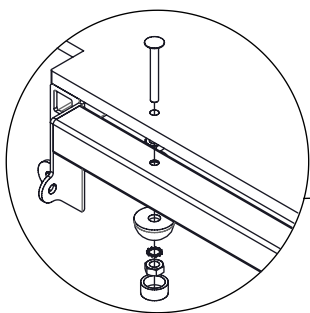


		PLYWOOD / HDPE		HPL	
82x	8x50 sxi	1x	WD72	1x	WD73
1x	E34 _(K1,K3)	1x	WD28 _(S1)	1x	WD29 _(S1)
1x	E35 _(K2)	1x	WD113 _(S6)	1x	WD114 _(S6)
1x	E39	3x	WD15	3x	WD16
1x	E38 _(K2,K3)	3x	WD35	3x	WD36
2x	E88 _(K2,K3)	1x	WD37	1x	WD38
1x	V001	1x	CE6	1x	CL6
1x	E62				
1x	WD62				
2x	WD1				
1x	E164 _(R1,R5)				
1x	E165 _(R2)				
1x	E168 _(R3)				
1x	WD51				
1x	E220				
1x	E235				

[cm]

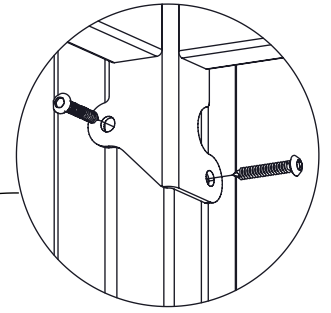
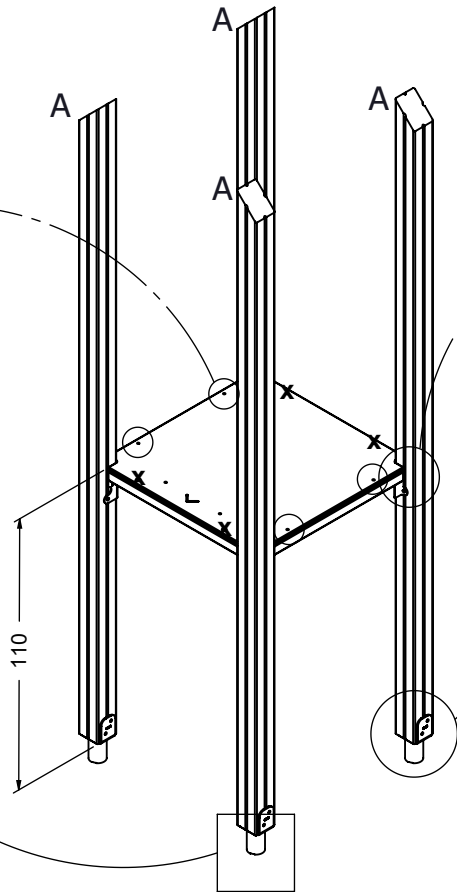
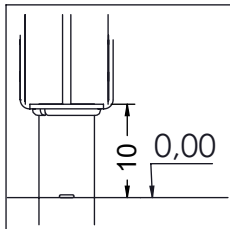
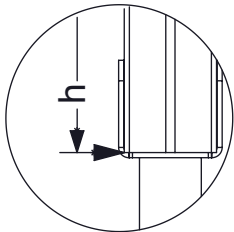
vinci play



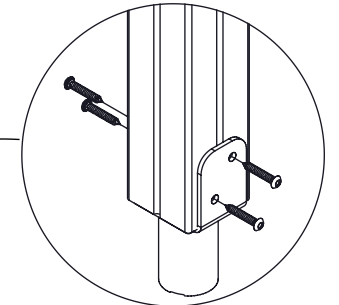


PLYWOOD
WD72

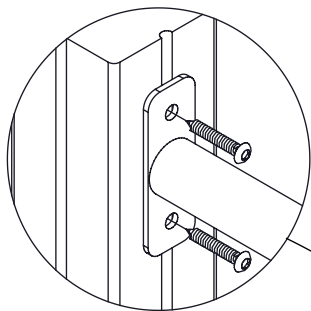
HPL
WD73



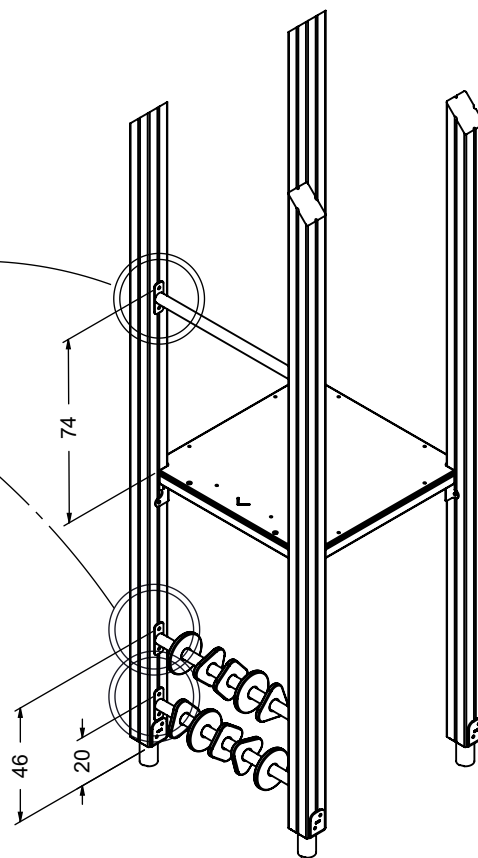
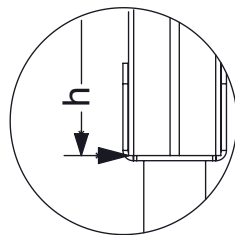
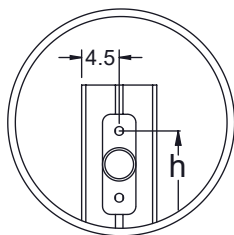
8x50 sxi



8x50 sxi



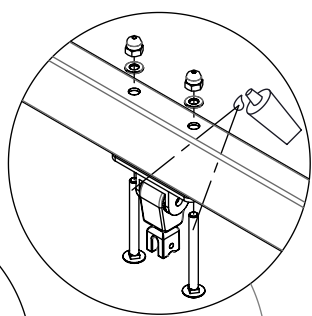
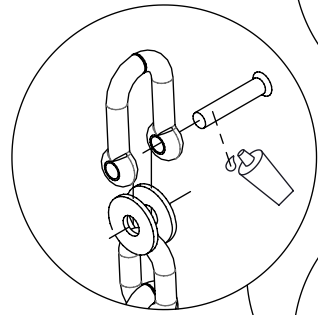
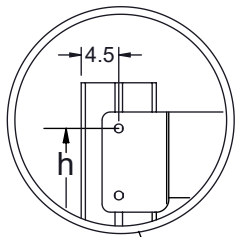
8x50 sxi



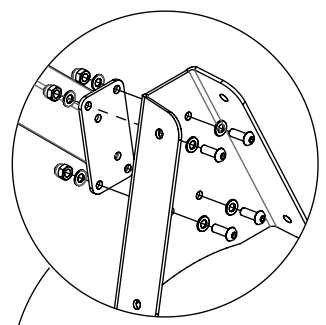
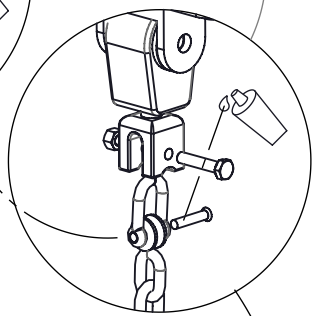
[cm]



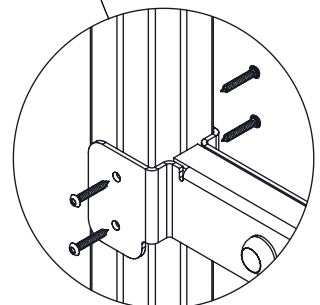
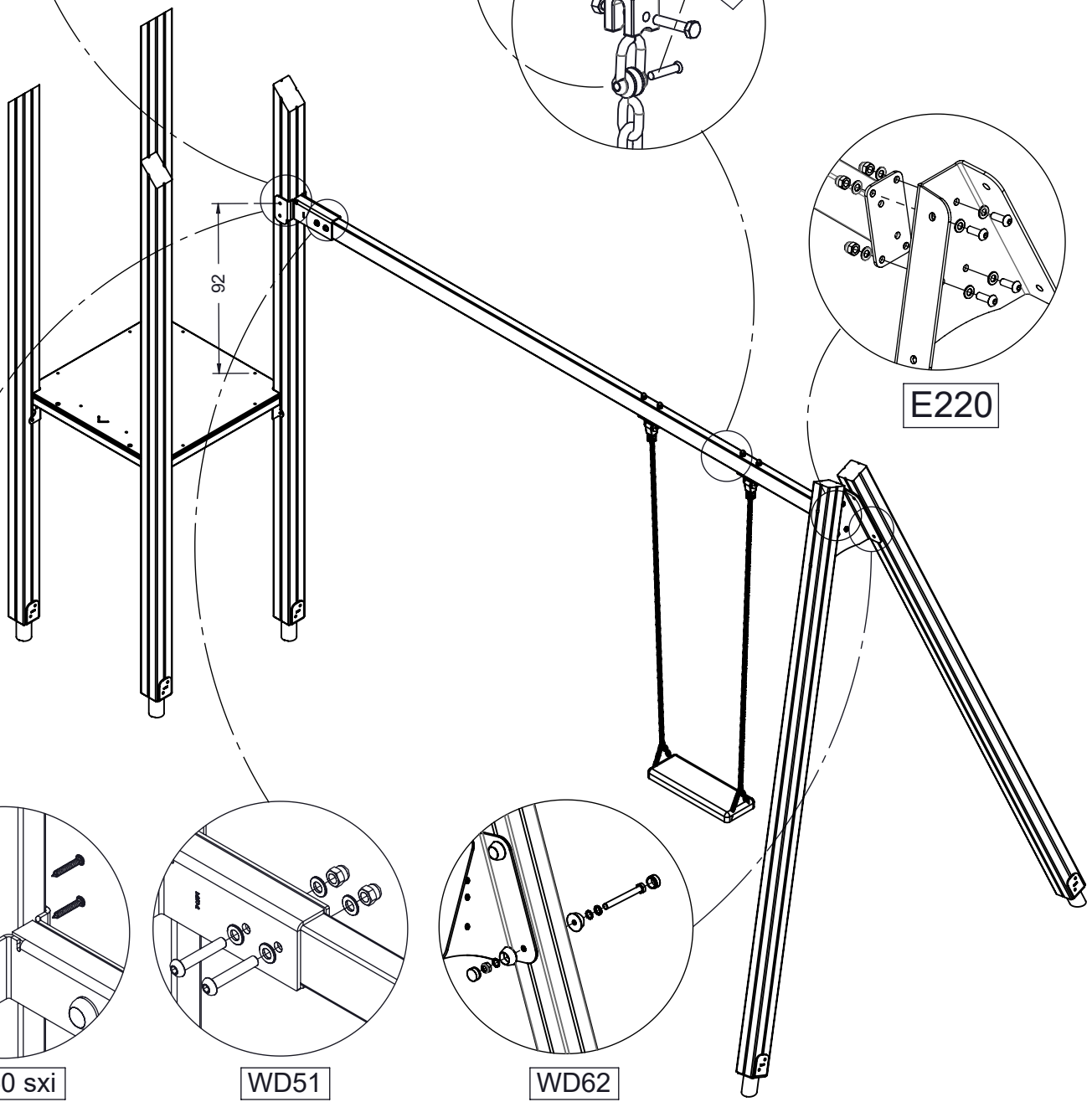
vinci
play



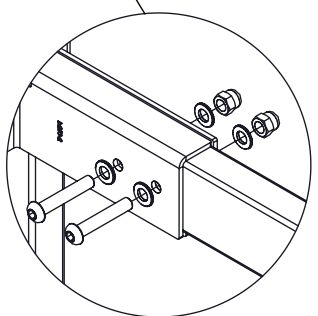
E62



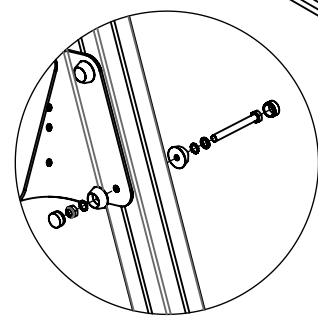
E220



8x50 sxi

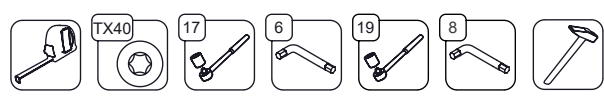


WD51

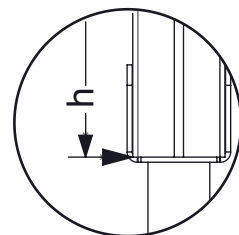
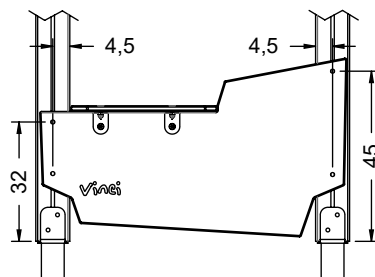
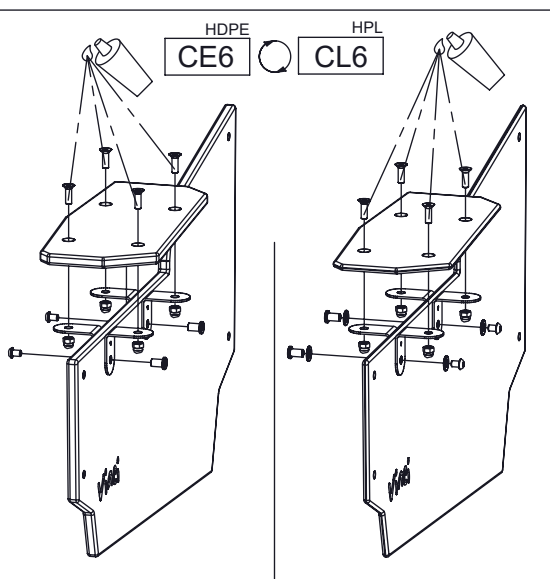
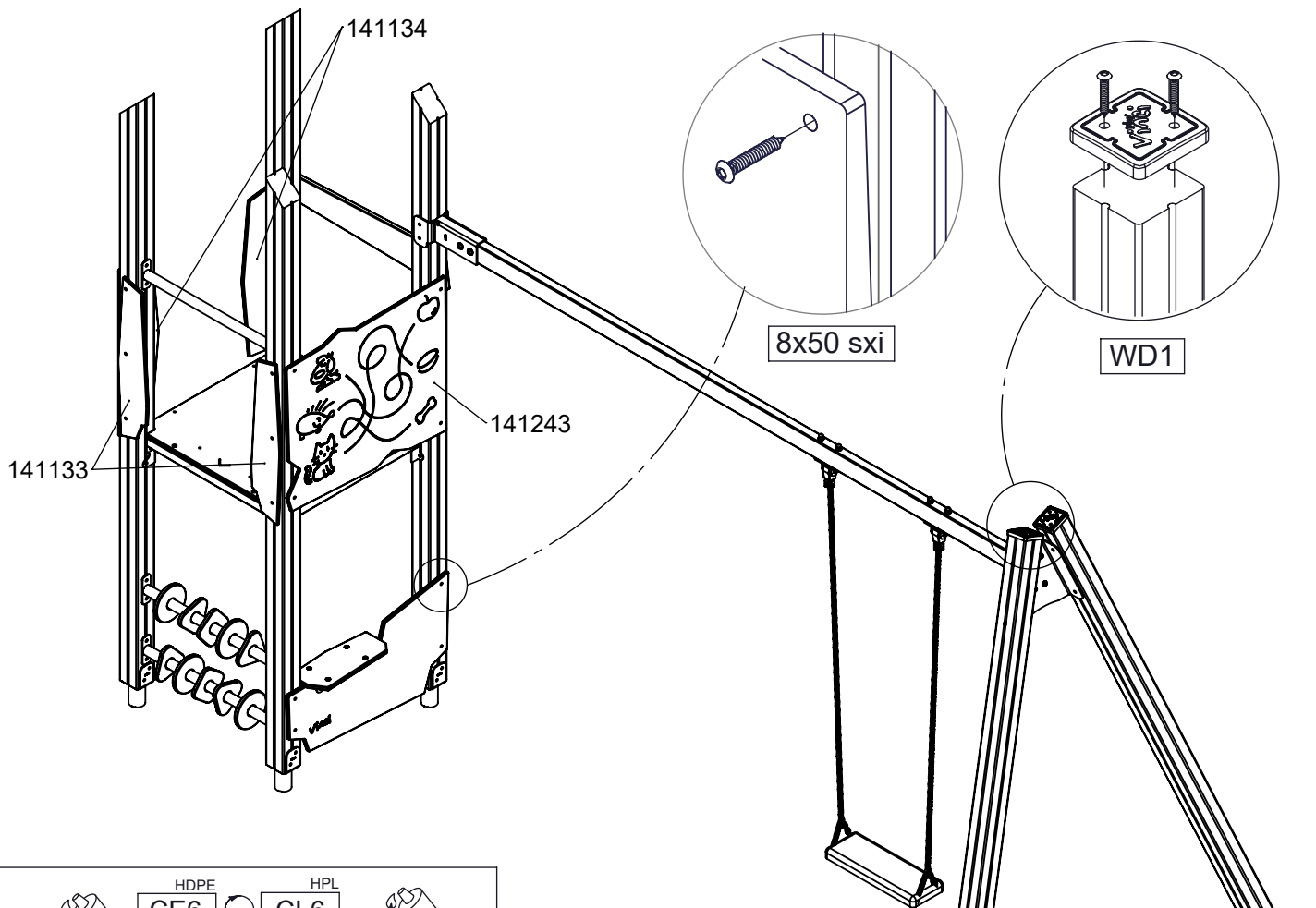
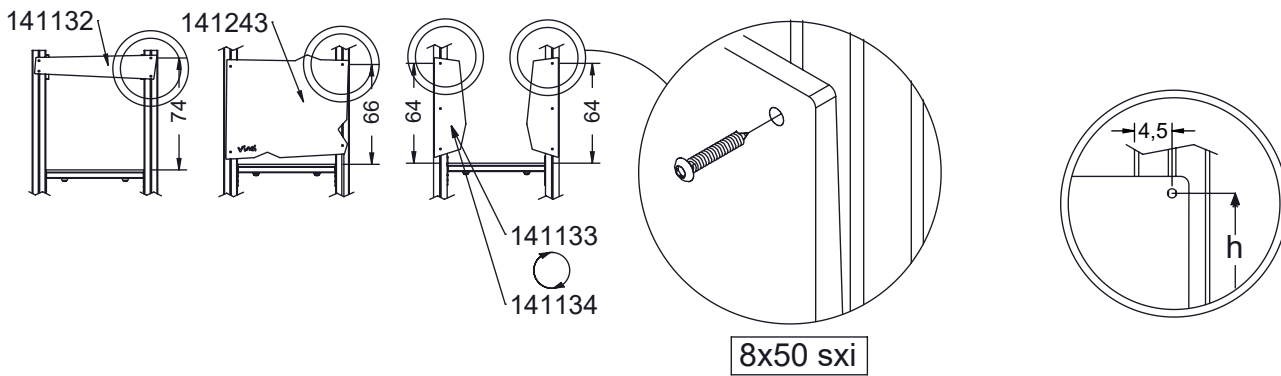


WD62

[cm]



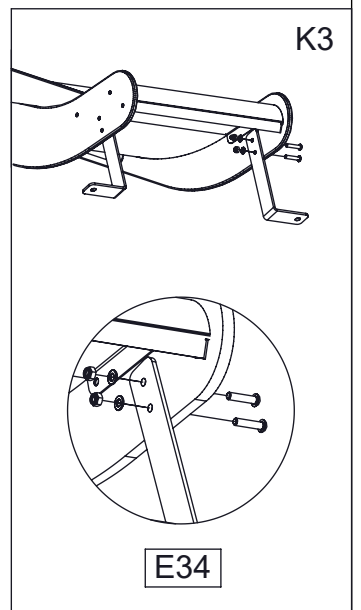
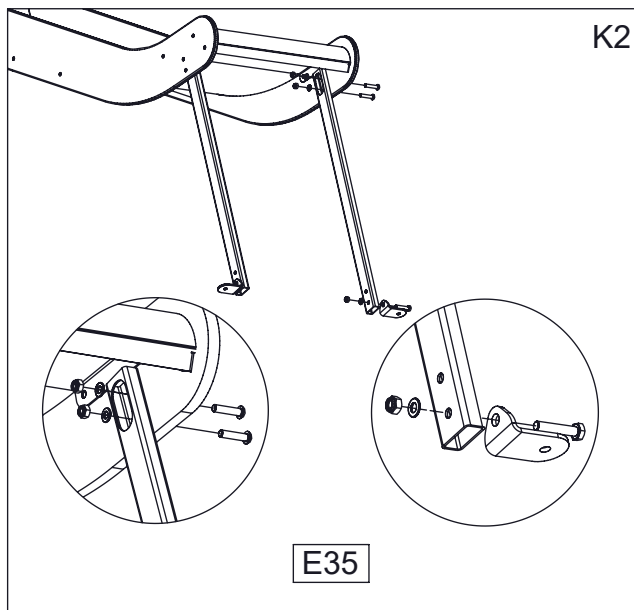
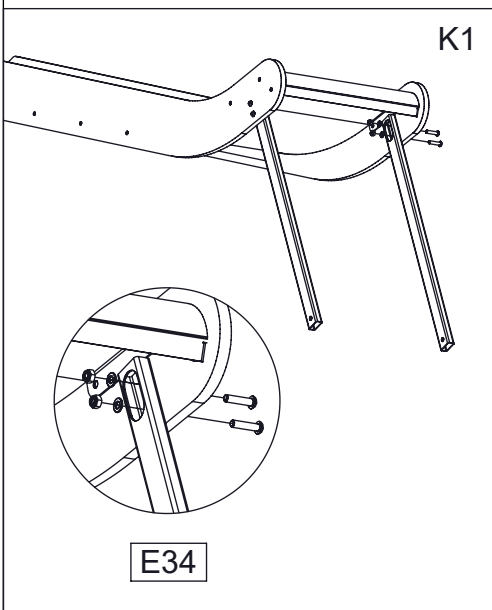
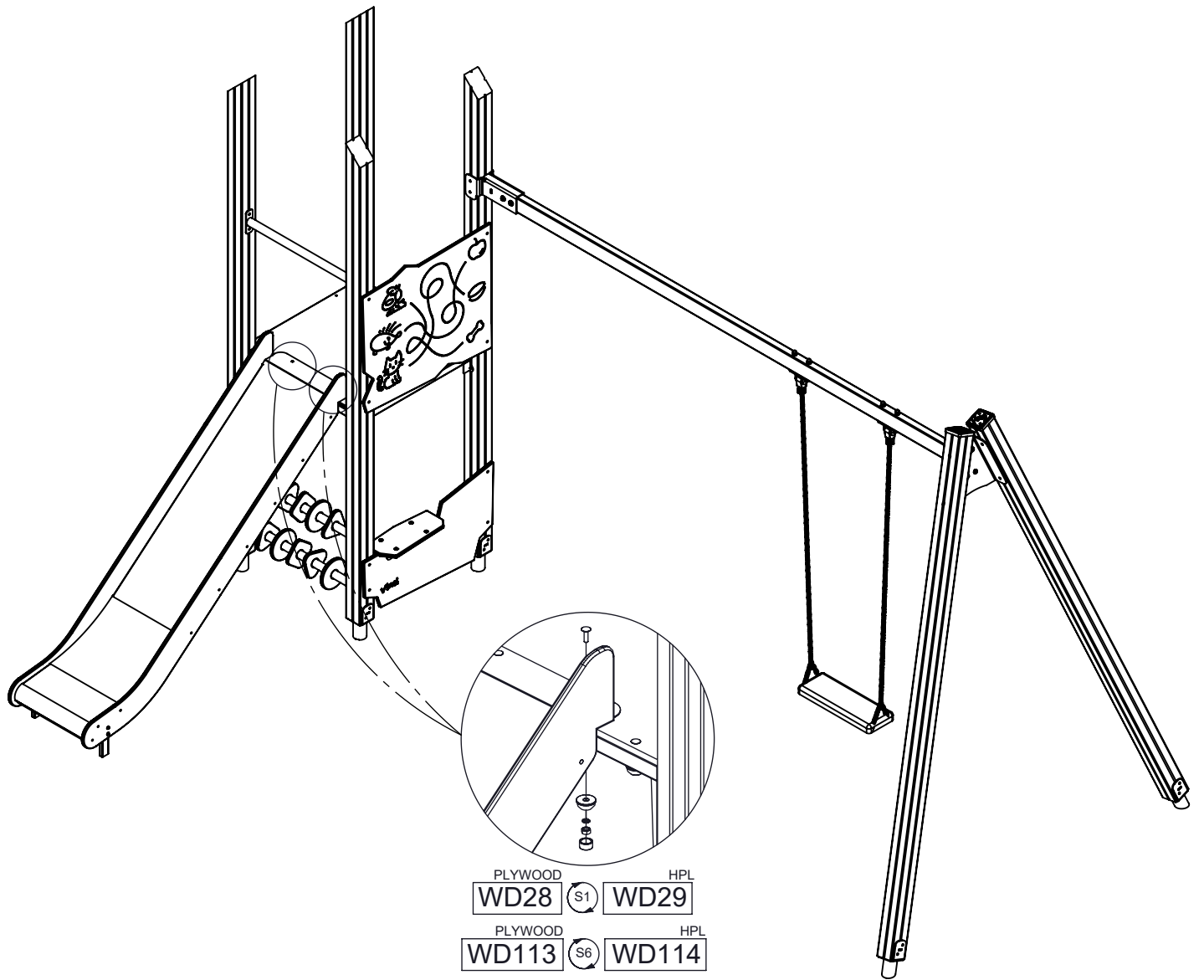
vinci play



[cm]



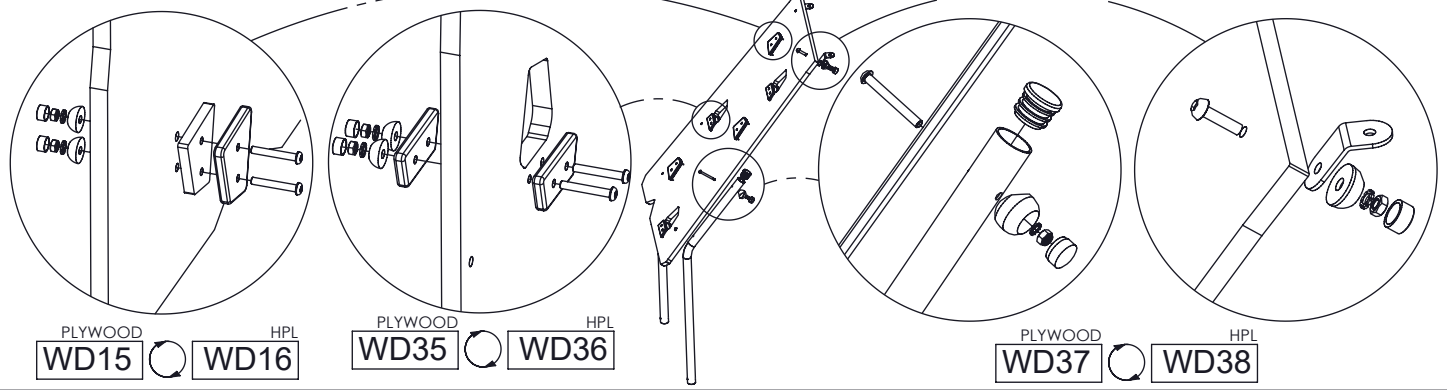
vinci
play



[cm]



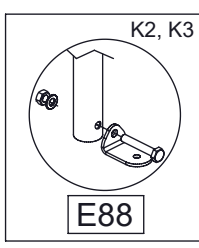
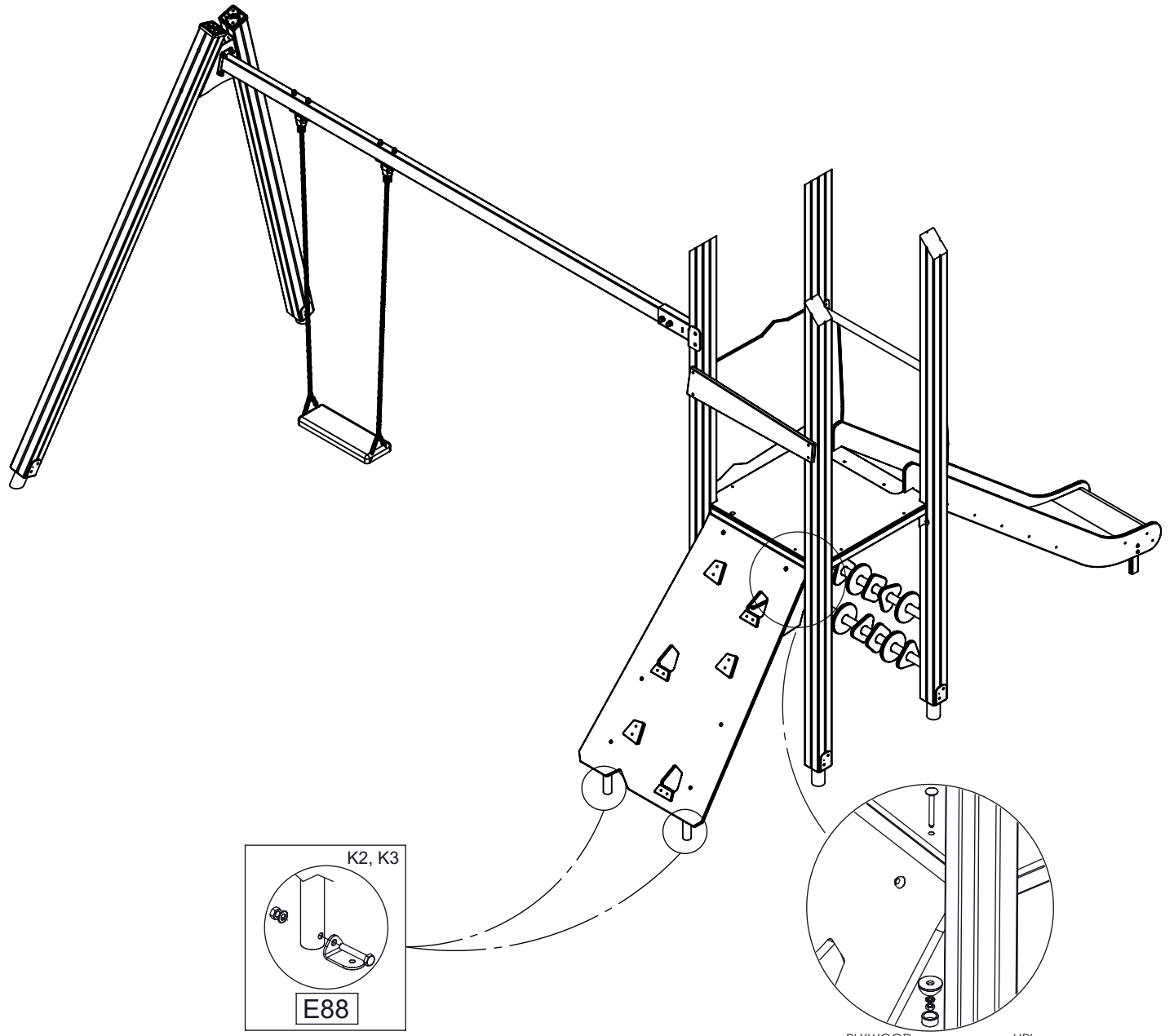
vinci
play



PLYWOOD HPL
WD15 WD16

PLYWOOD HPL
WD35 WD36

PLYWOOD HPL
WD37 WD38

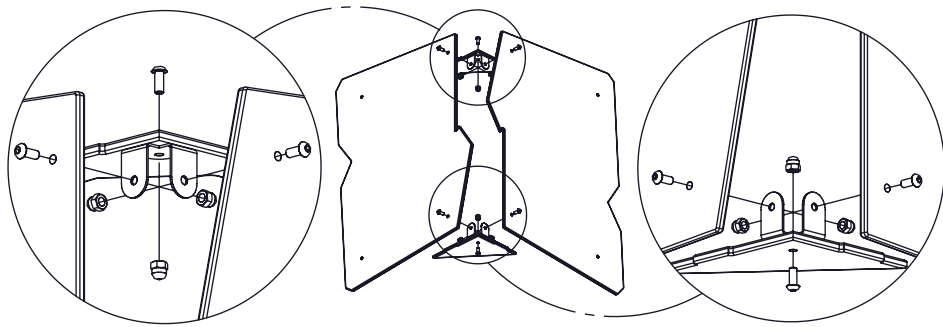


PLYWOOD HPL
WD37 WD38

[cm]

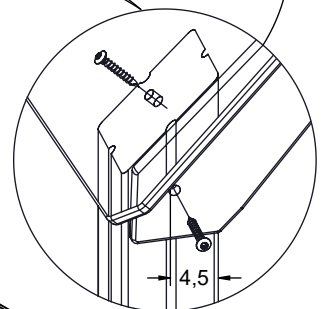
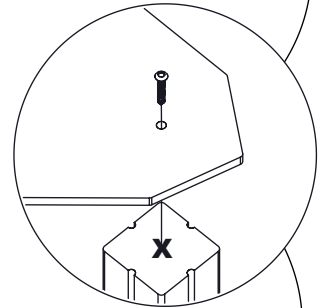
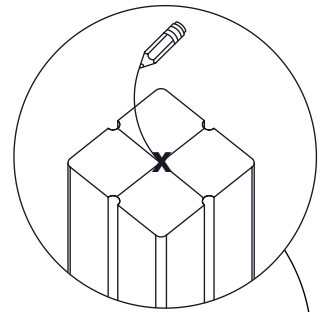


vinci
play

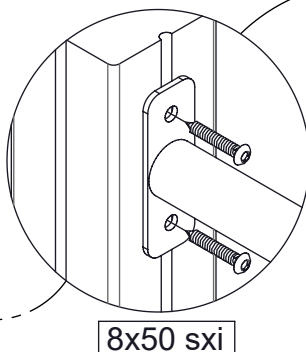
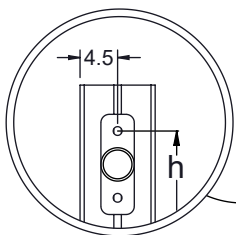
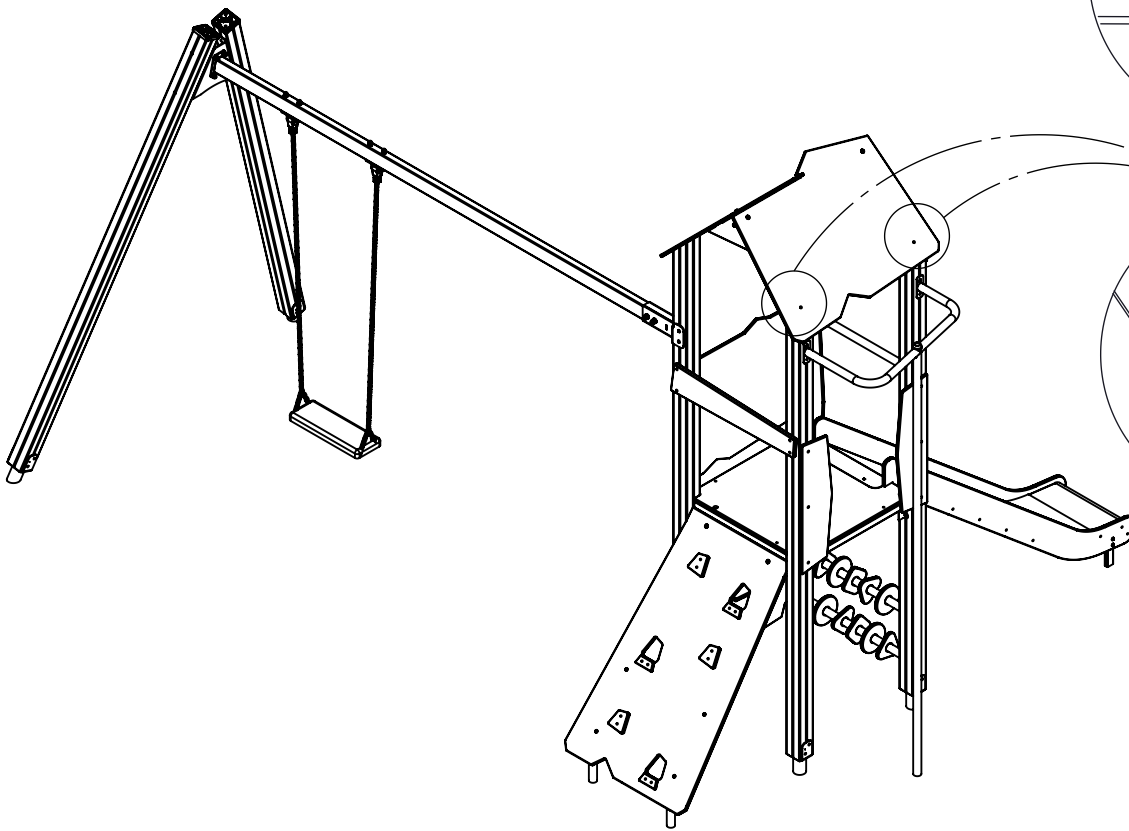


PLYWOOD
WD33

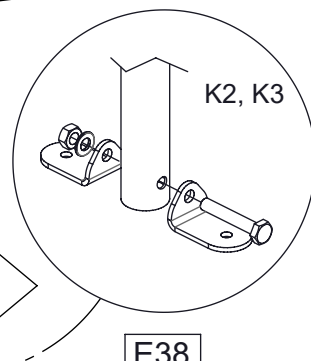
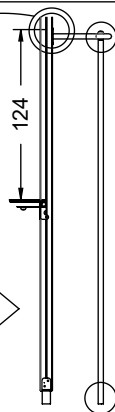
HPL
WD34



8x50 sxi

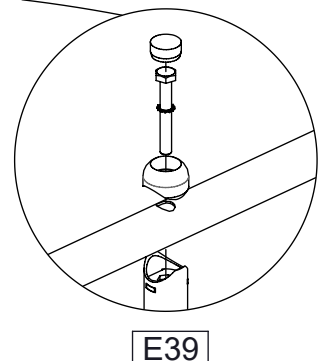


8x50 sxi



K2, K3

E38



E39

[cm]

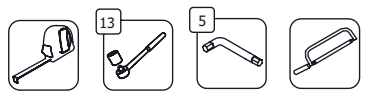
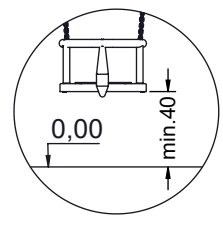
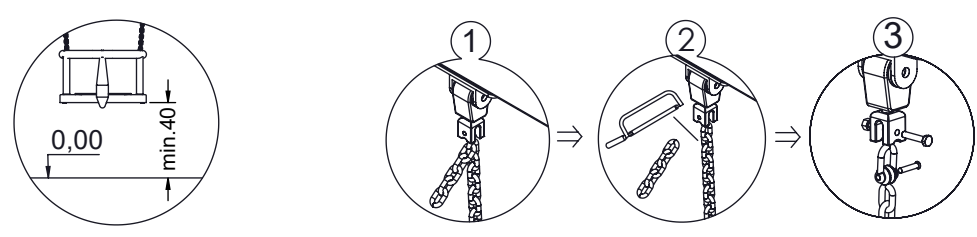
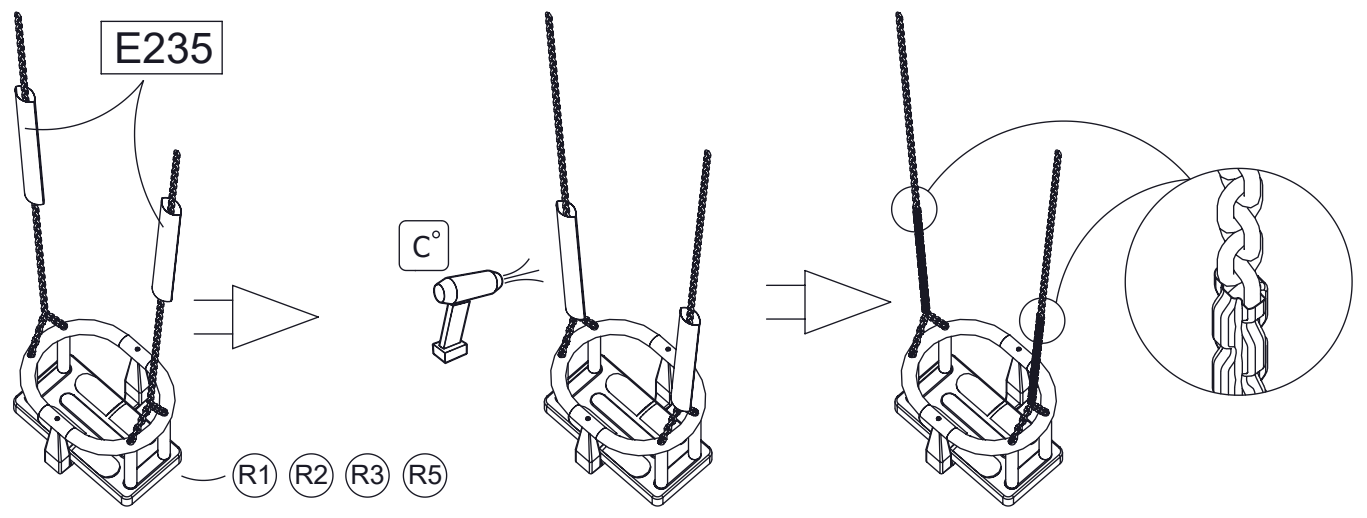
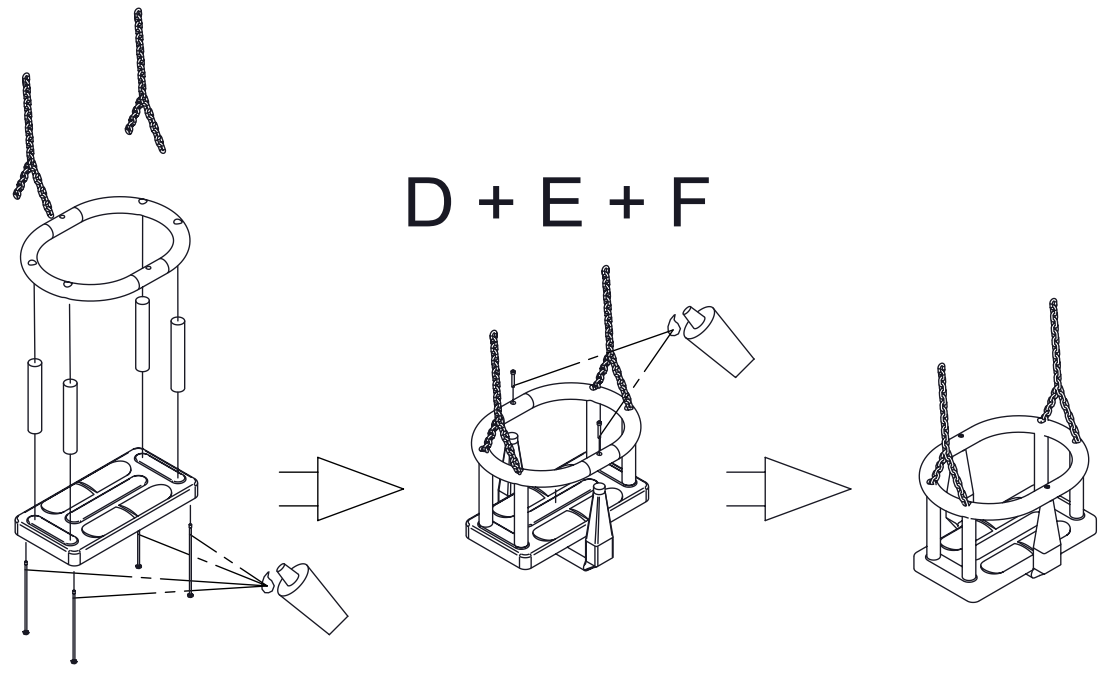


vinci
play

- R2** x4 x4 x1 x1 x1 x2 x2
- A B C D E F G

A + B + C + D + G

R2
E165



vinci play

[cm]

R1

x1



A

x2



B

x4

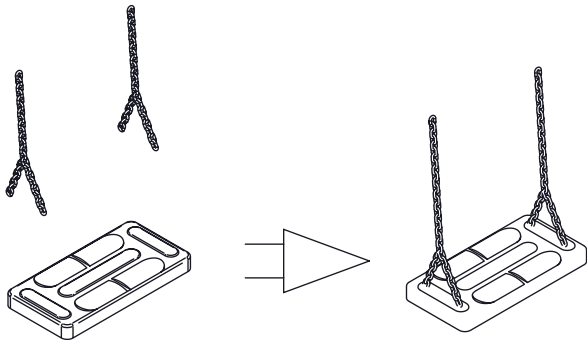


C

A + B + C

R1, R5

E164



R3

x1



A

x2



B

x2

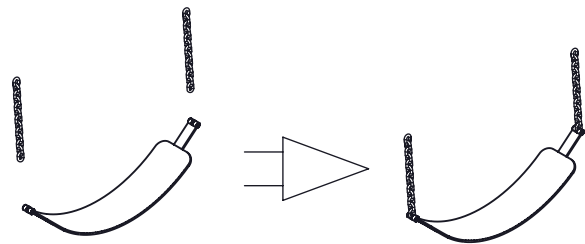


C

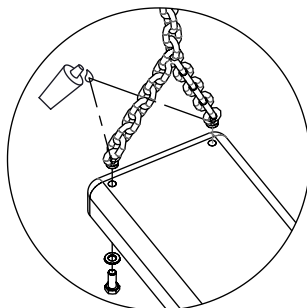
A + B + C

R3

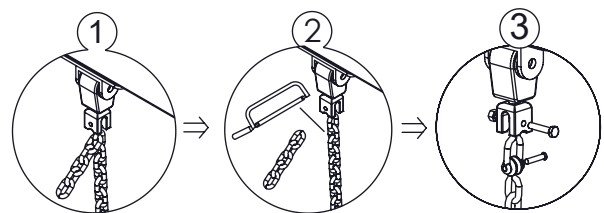
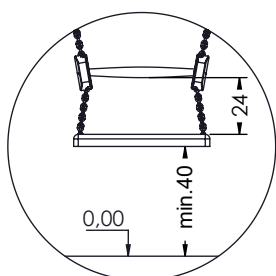
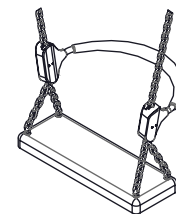
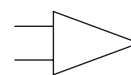
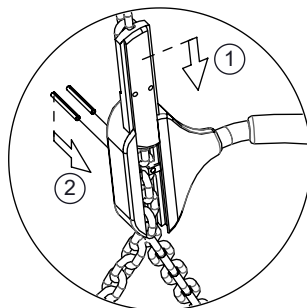
E168



R5

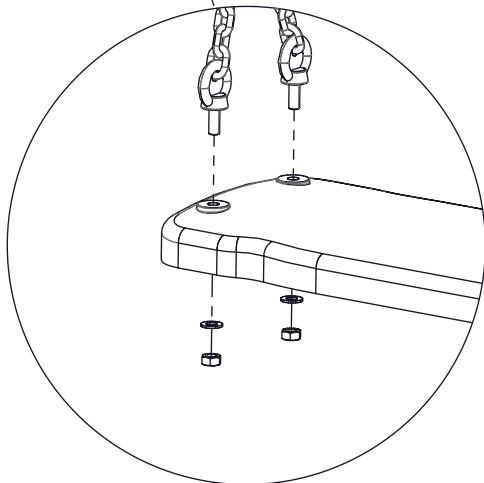
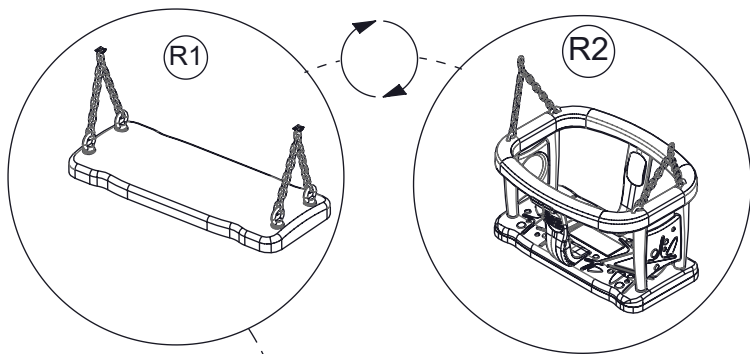


E164

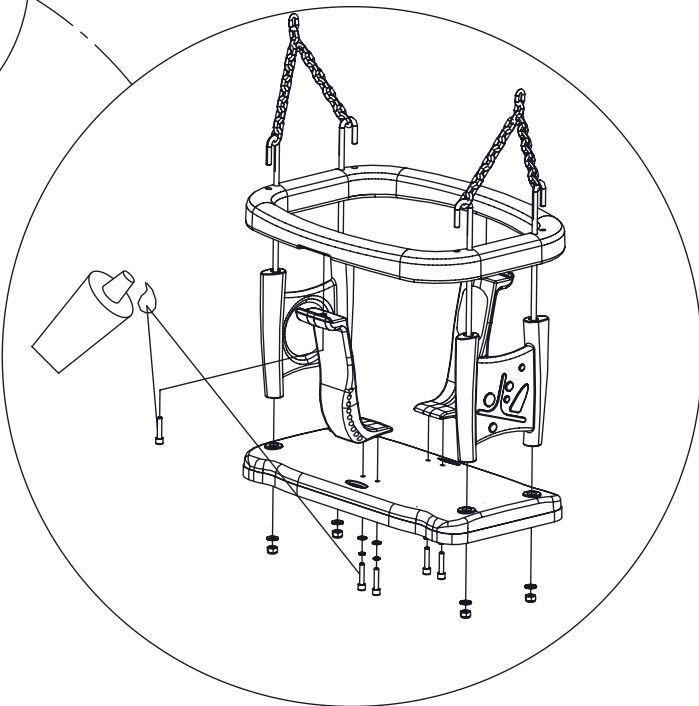


vinci play

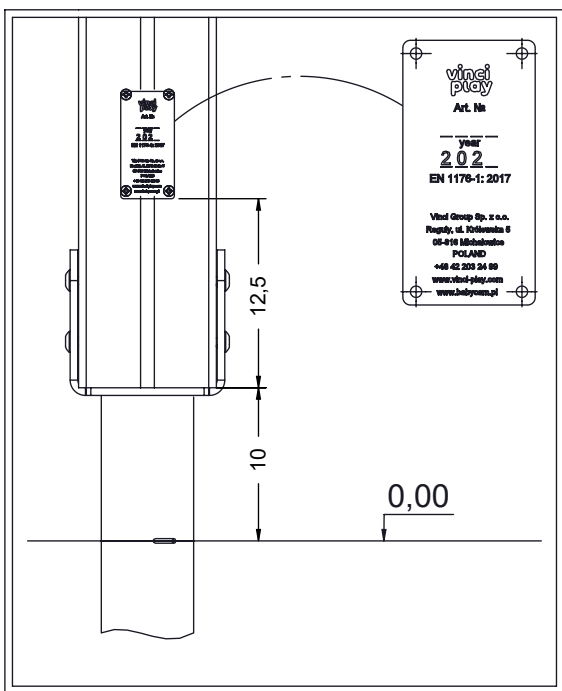
[cm]



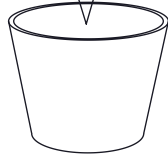
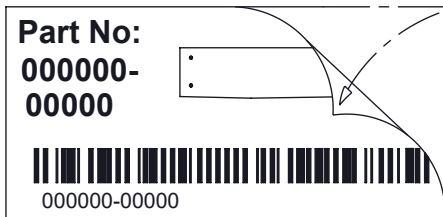
E164



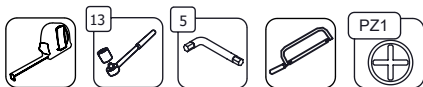
E165



V001



[cm]



vinci play