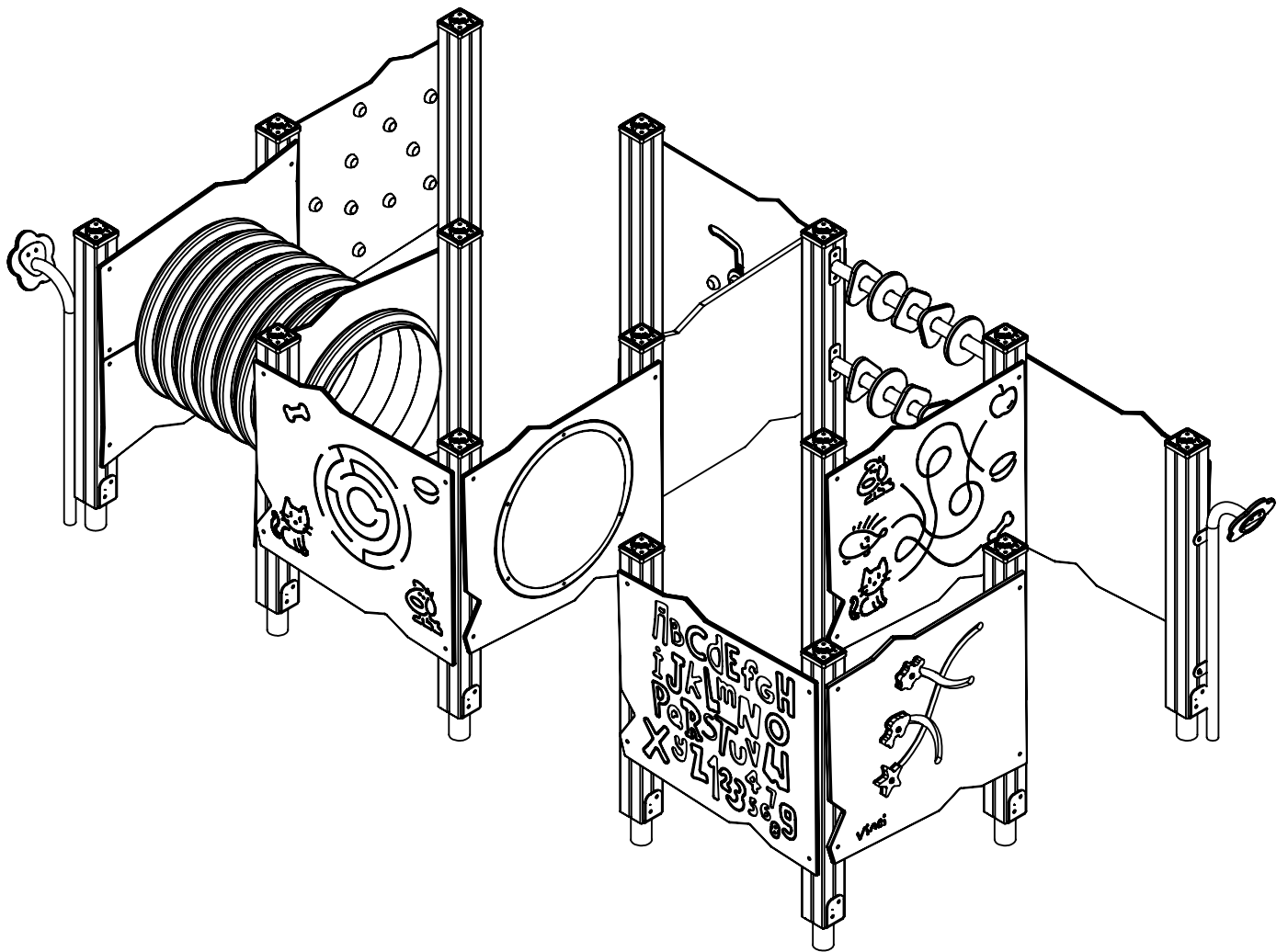
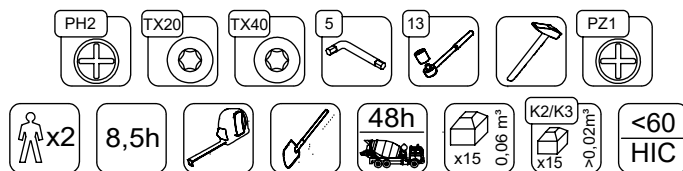


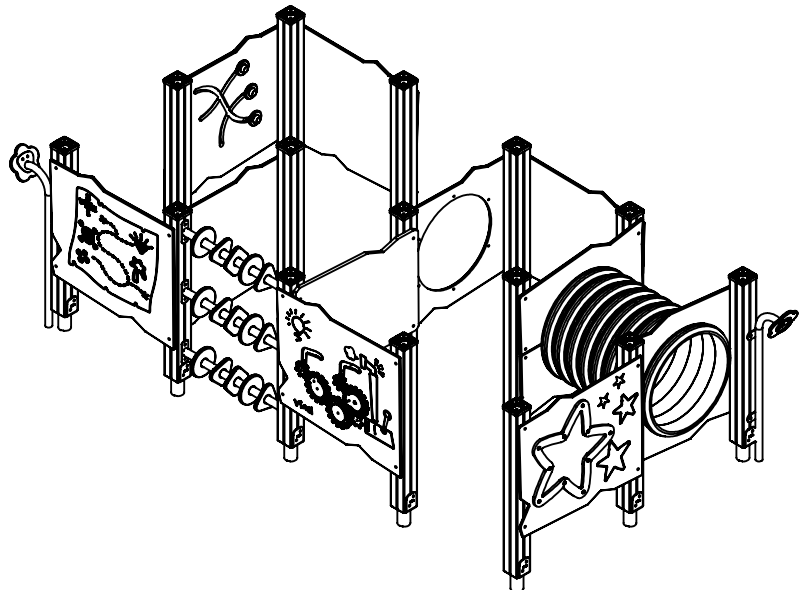
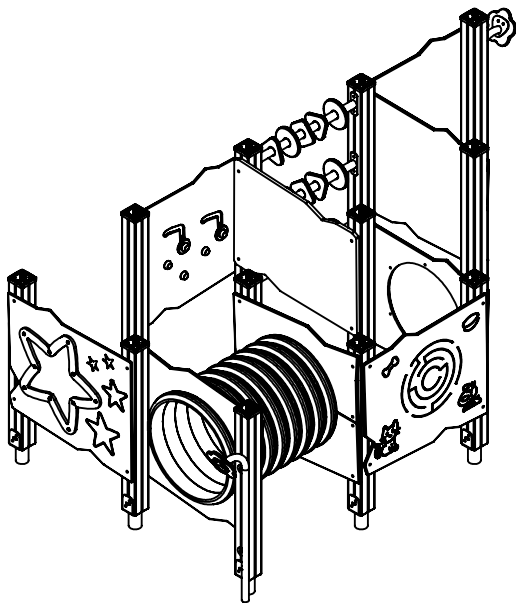
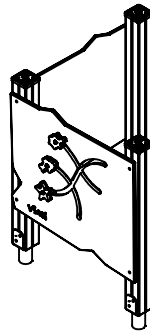
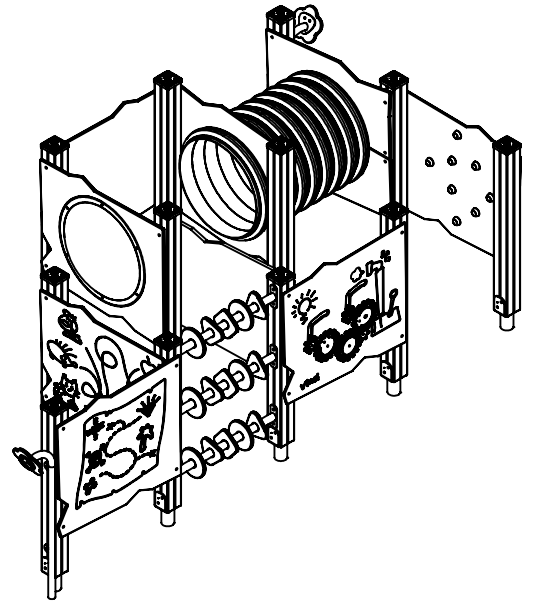
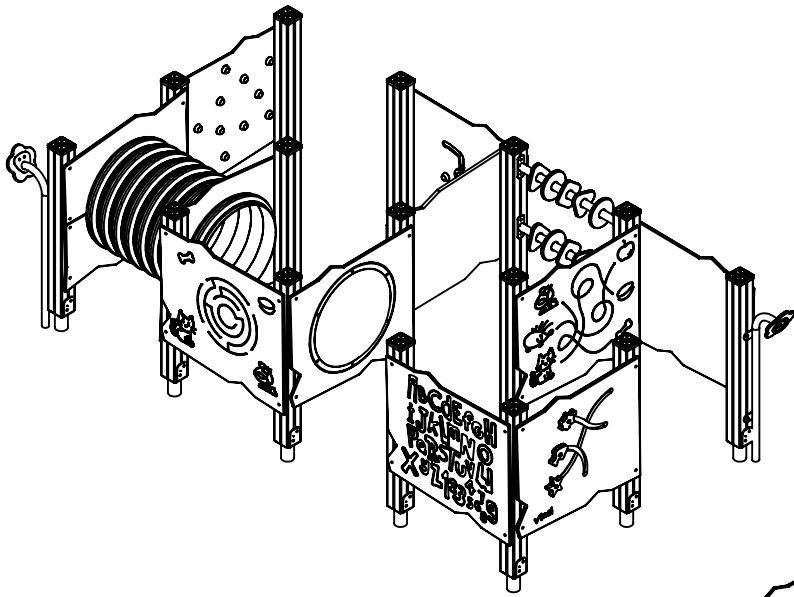
# WD1437



v013  
02.12.2021  
W.G.  
[cm]

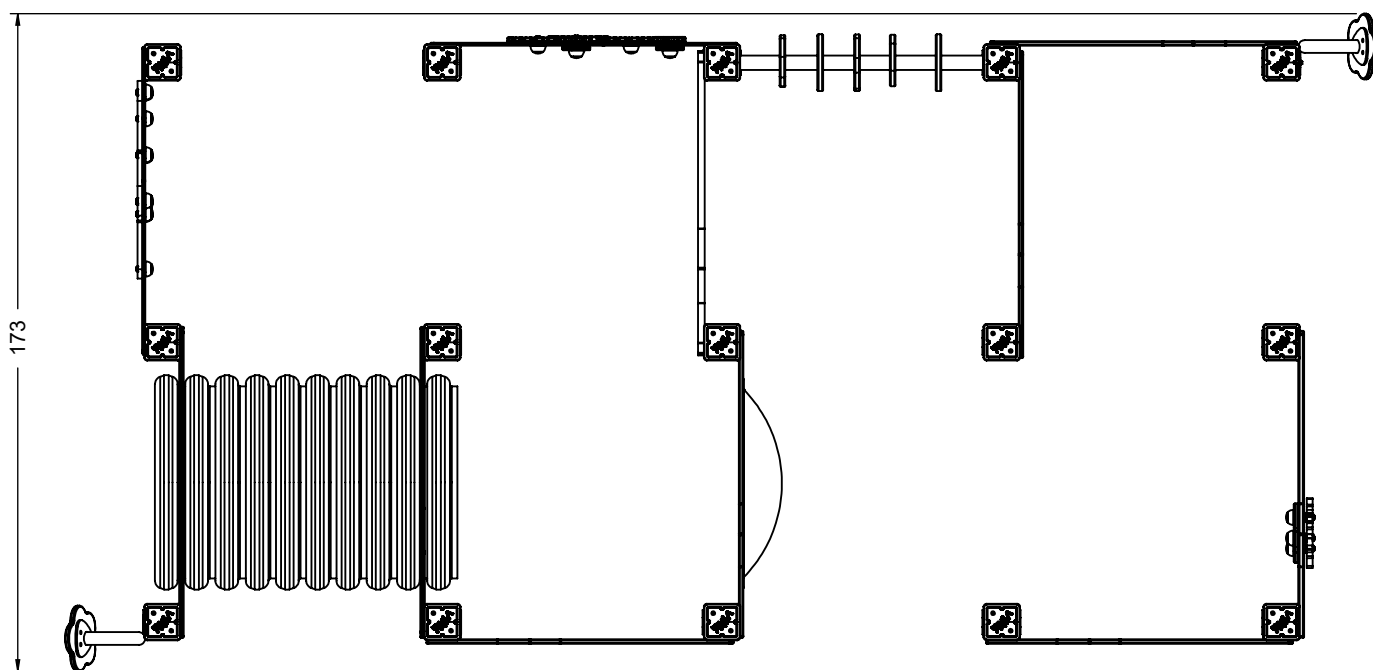
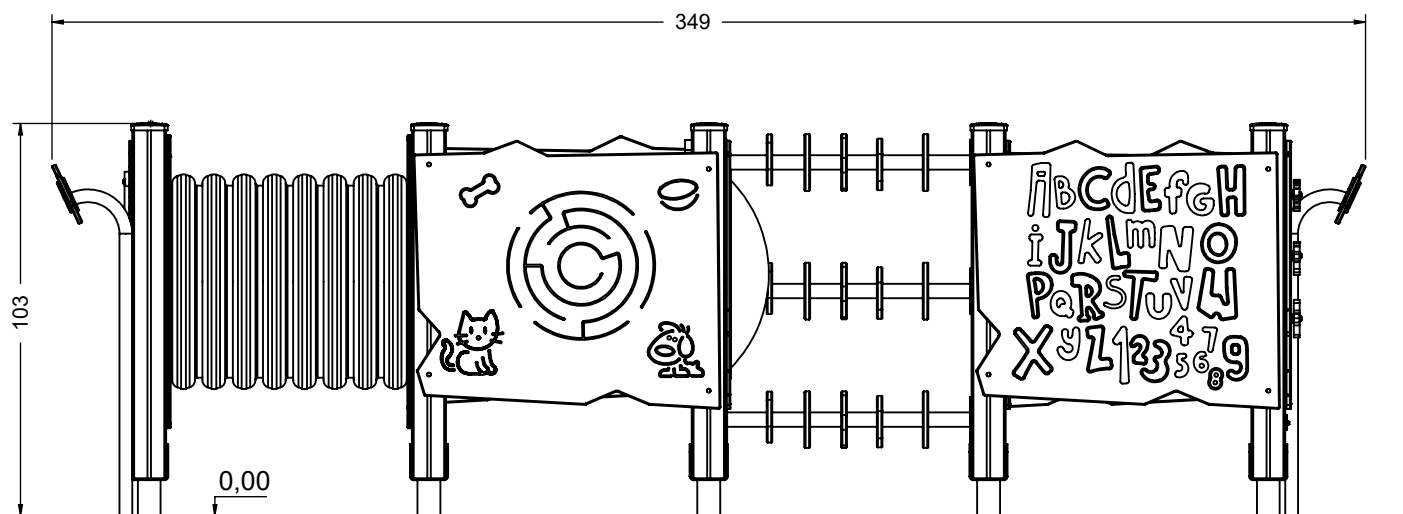


vinci  
play



[cm]

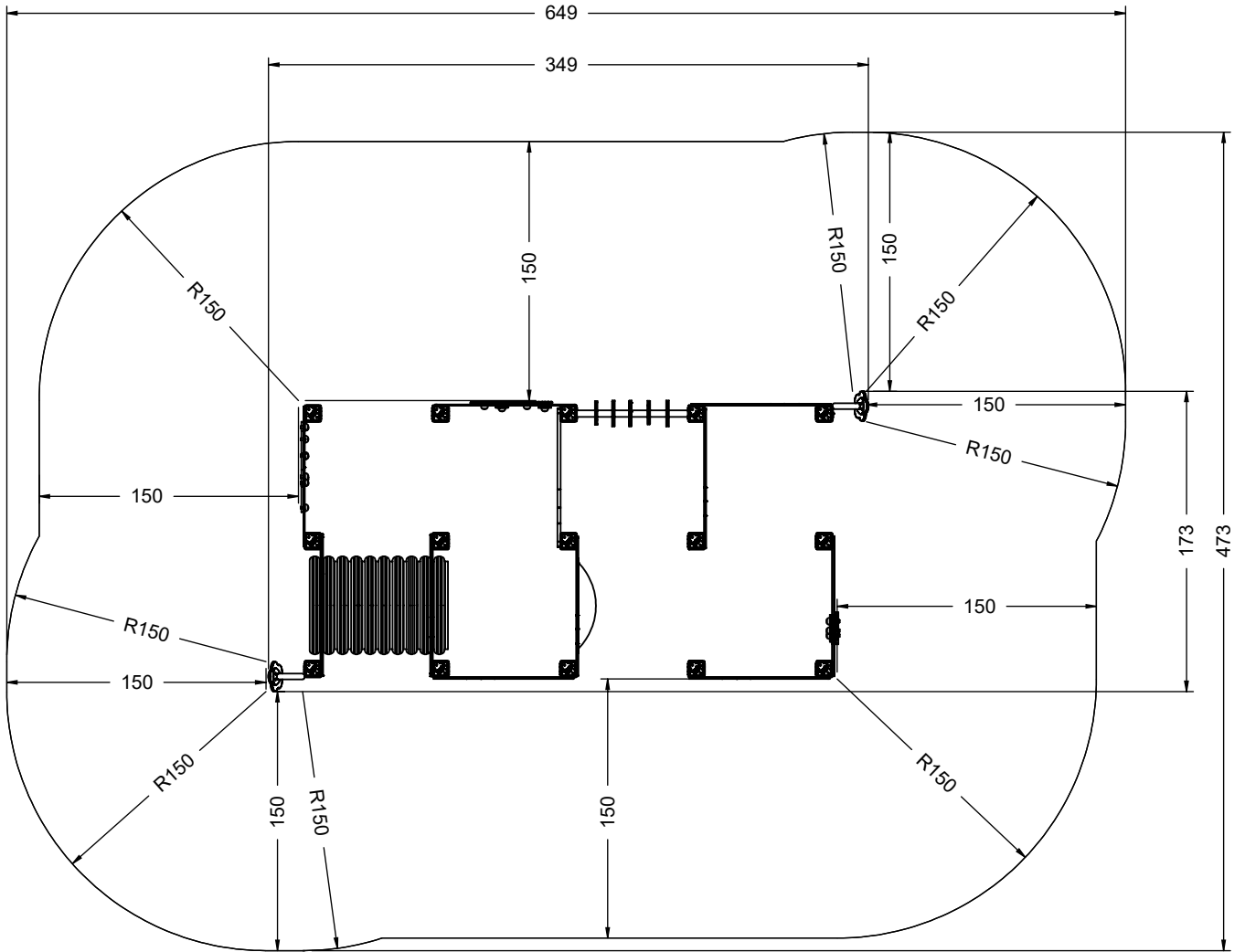
vinci  
play



[cm]



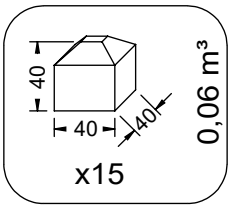
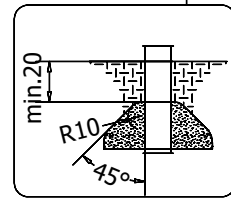
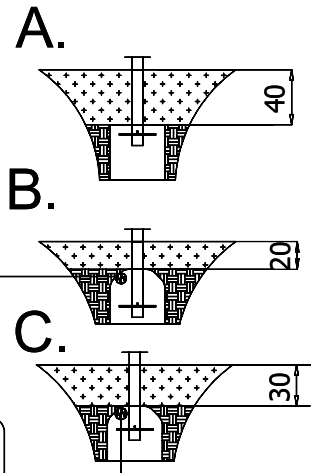
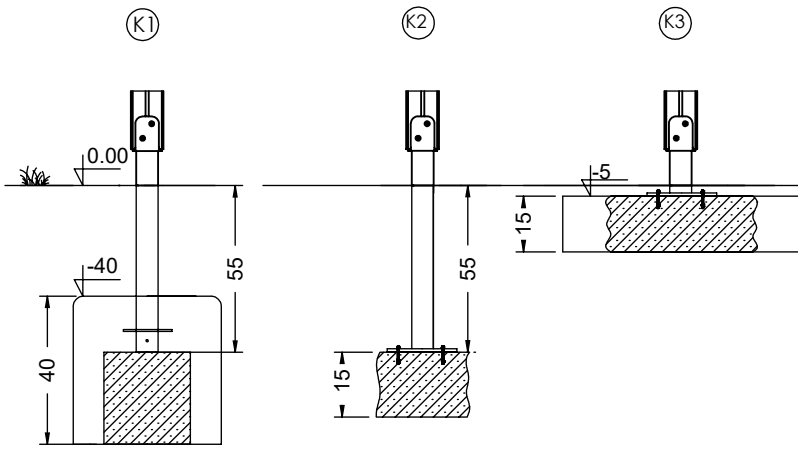
vinci  
 play



[cm]

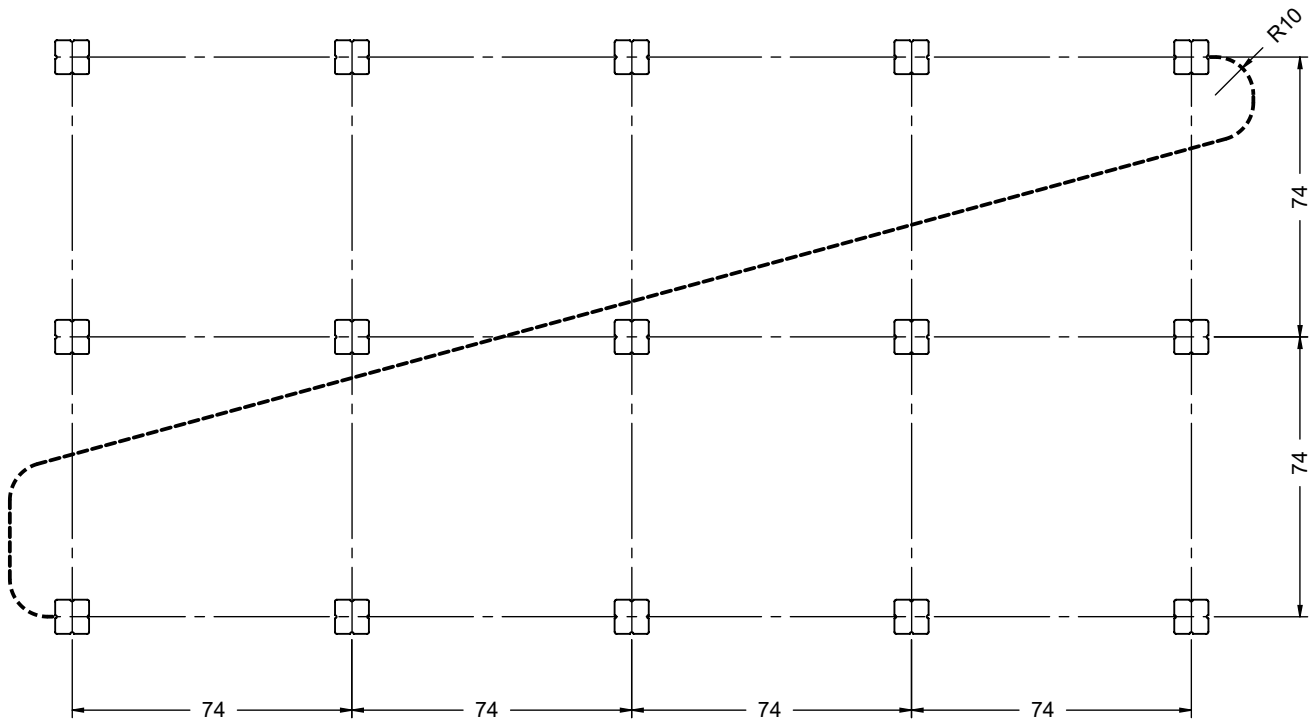


vinci  
play



60x M10x120 (K2)  
60x M10x120 (K3)

**NOT INCLUDED**



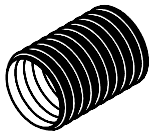
[cm]

x2   
 8,5h   
   
   
 48h   
 x15 0,06 m³   
 K2/K3 x15 >0,02m³

vinci  
play



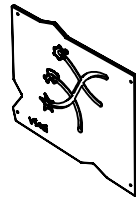
14709390  
x15



996143  
x1



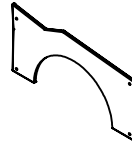
141132  
x1



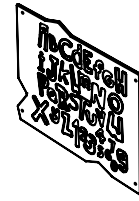
141139  
x1



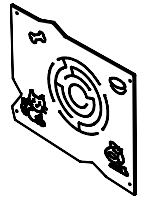
144126  
x3



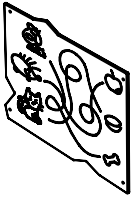
141140  
x4



141250  
x1



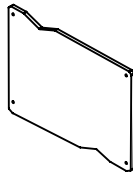
141249  
x1



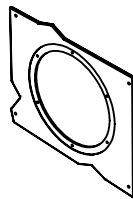
141243  
x1



141127  
x1



141148  
x1



141128  
x1



141167  
x1



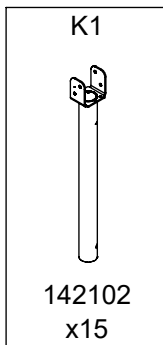
996115  
x1



141233  
x1

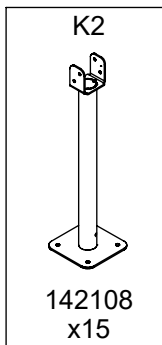


141234  
x1



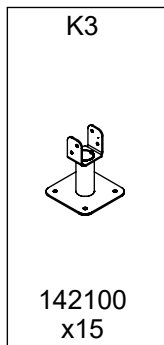
K1

142102  
x15



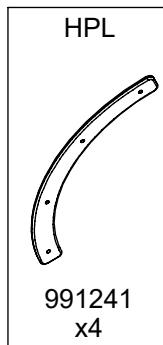
K2

142108  
x15



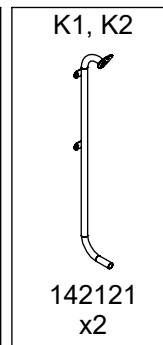
K3

142100  
x15



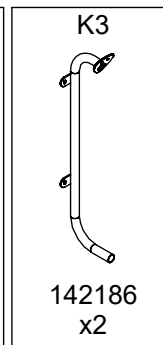
HPL

991241  
x4



K1, K2

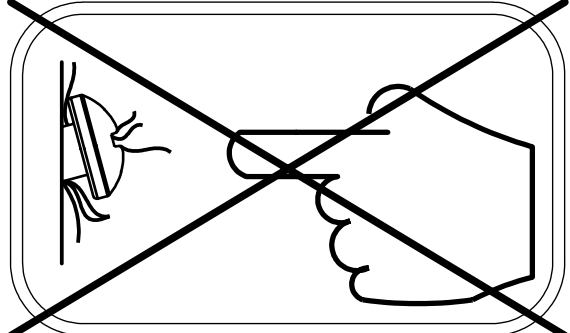
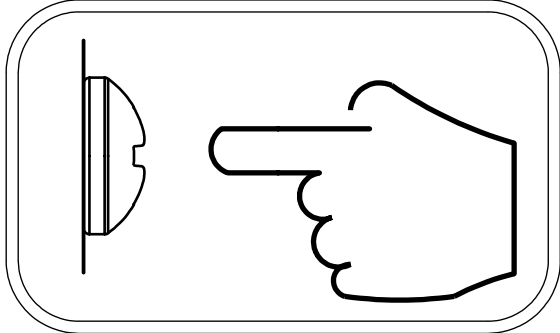
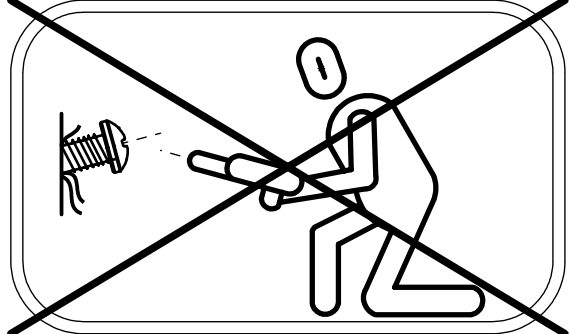
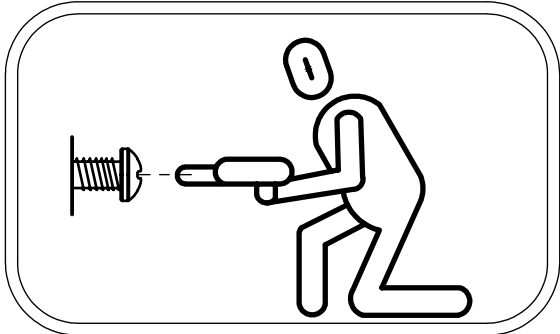
142121  
x2

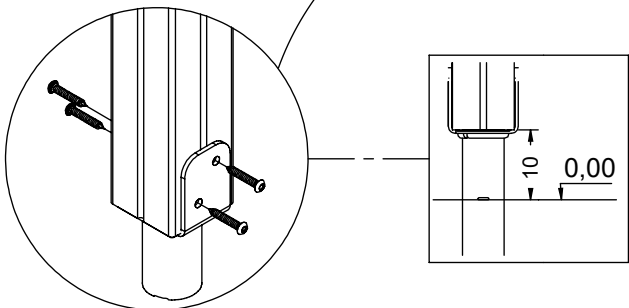
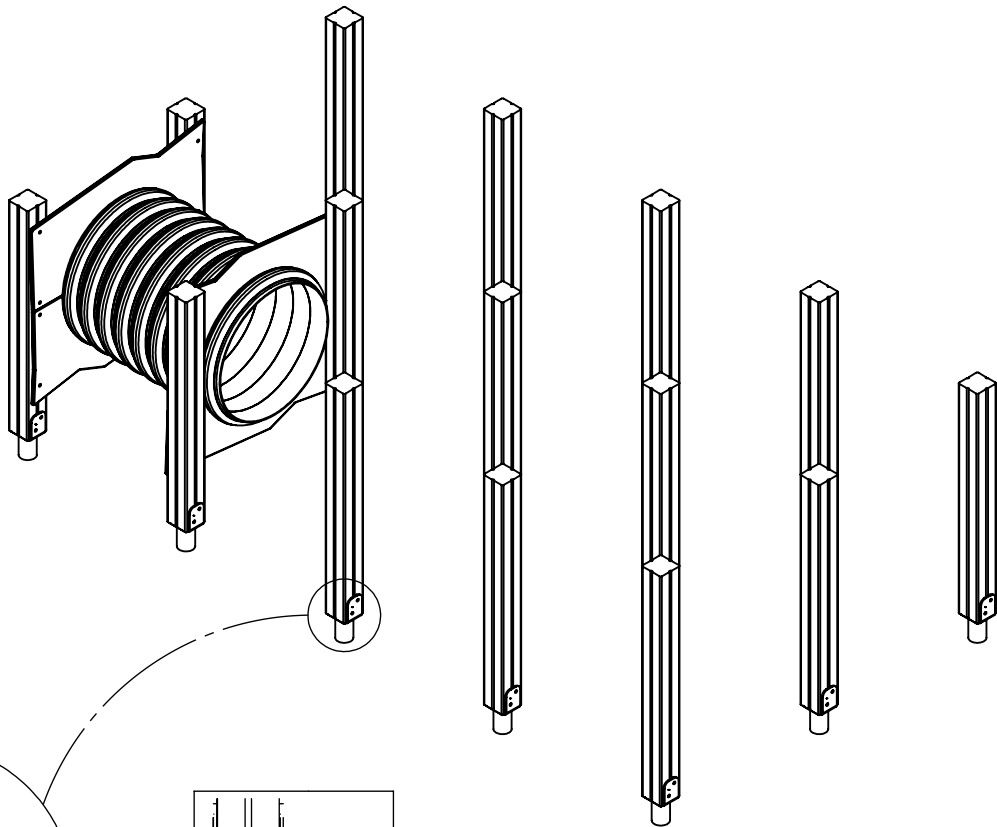


K3

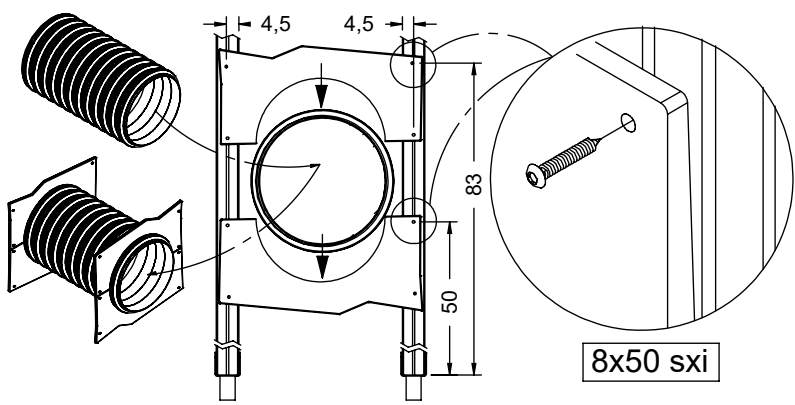
142186  
x2

		HDPE		HPL	
128x	8x50 sxi	1x	WD17	1x	WD18
1x	V001	1x	WD19	1x	WD20
2x	Z18	1x	CE9	1x	CL9
15x	WD1	1x	CE8	1x	CL8
		2x	WD182	2x	WD181
				2x	E130

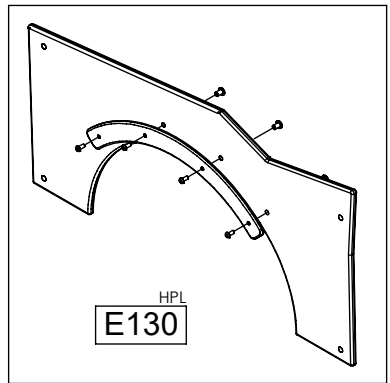




8x50 sxi

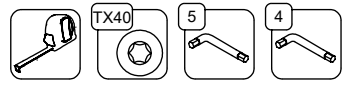


8x50 sxi



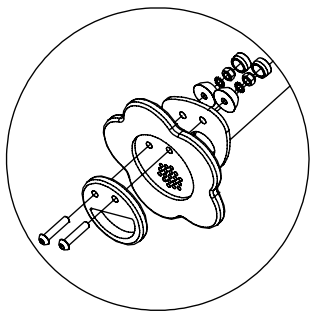
HPL  
E130

[cm]



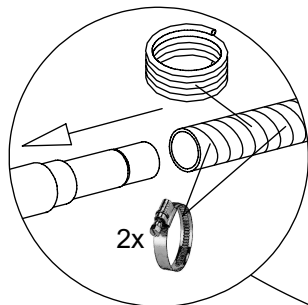
vinci  
play



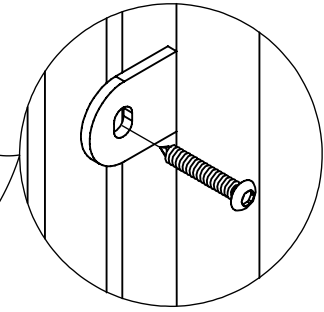
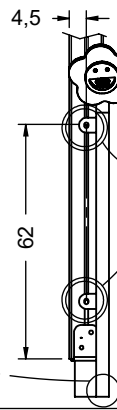


HDPE  
WD182

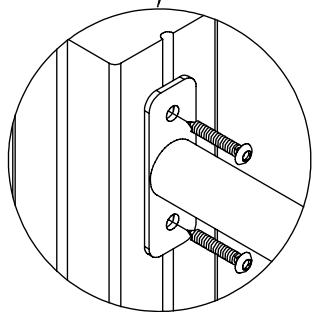
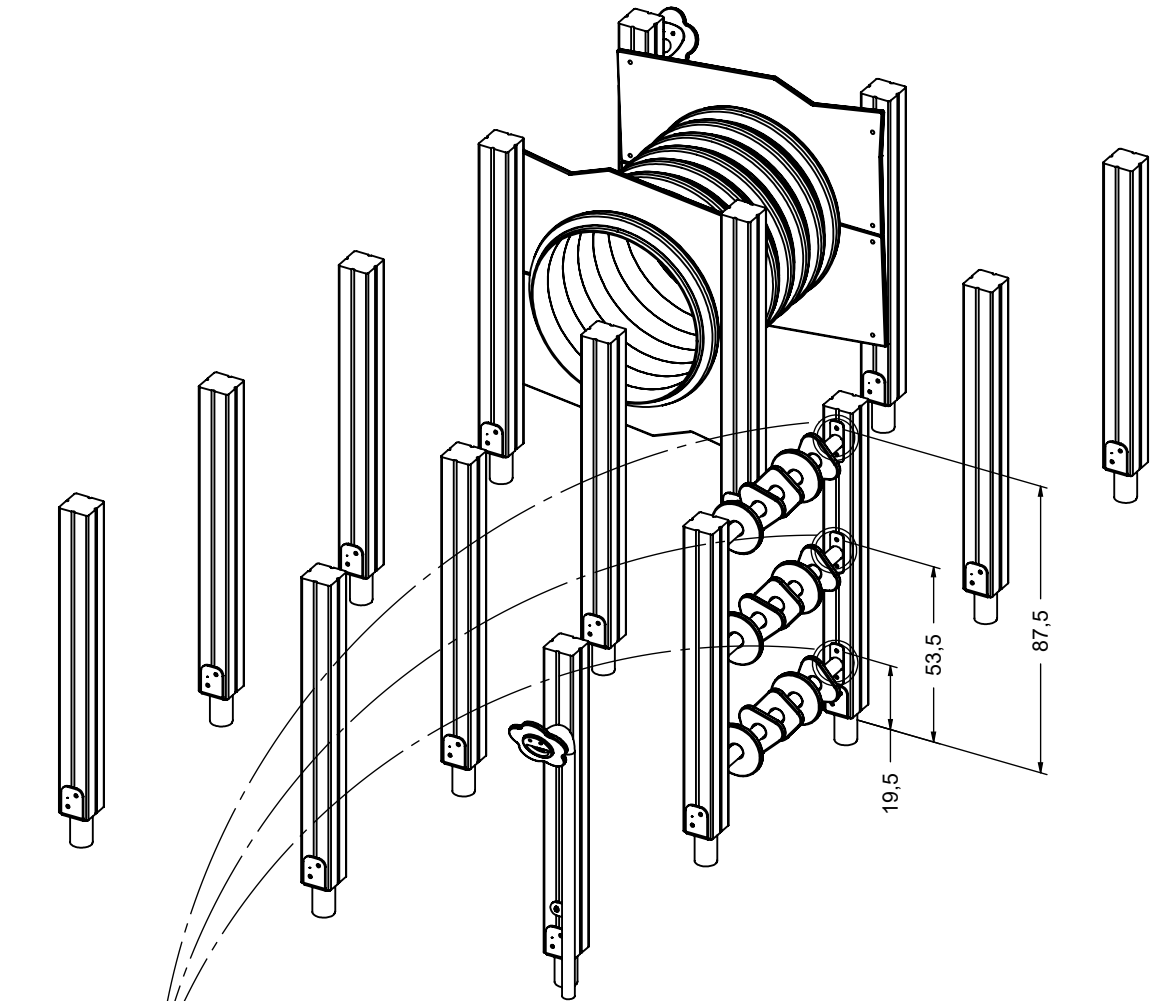
HPL  
WD181



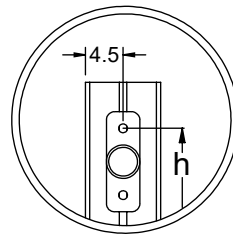
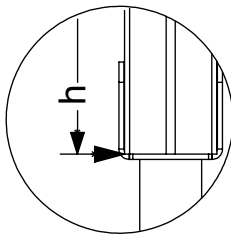
Z18



8x50 sxi



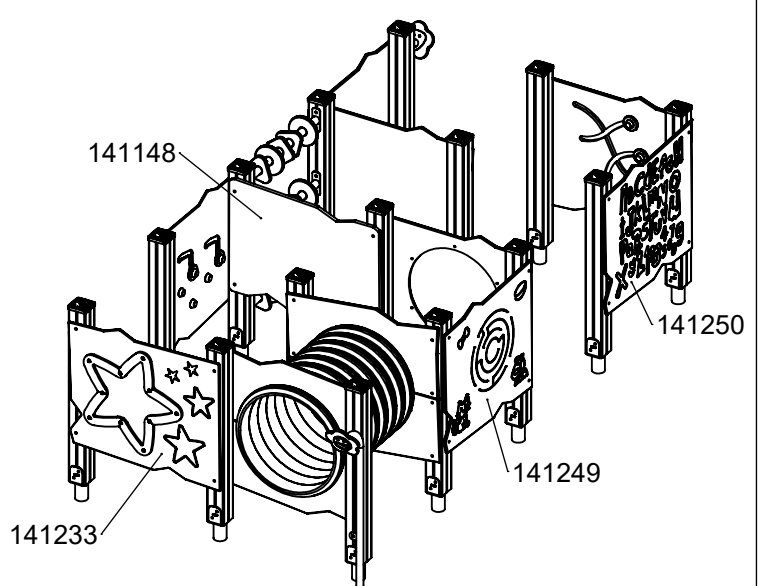
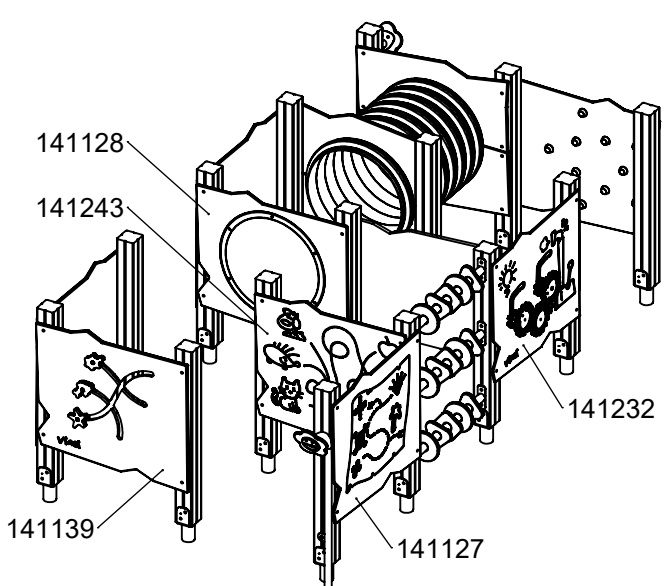
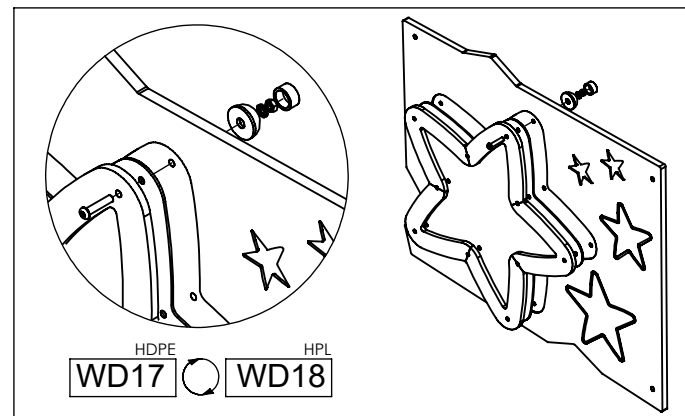
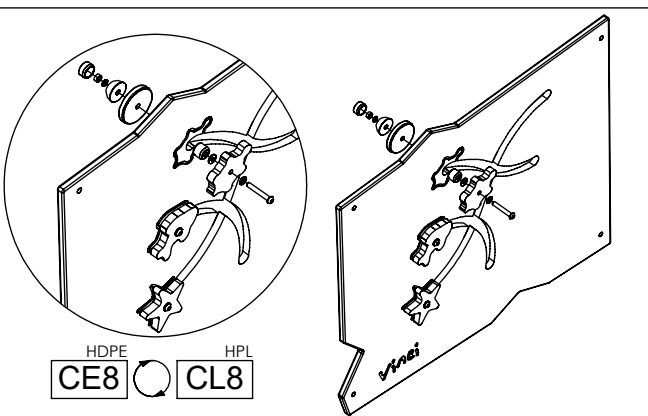
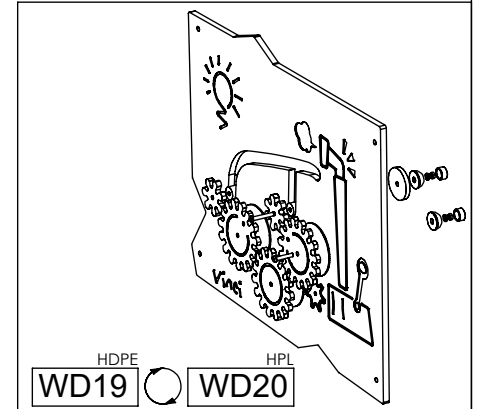
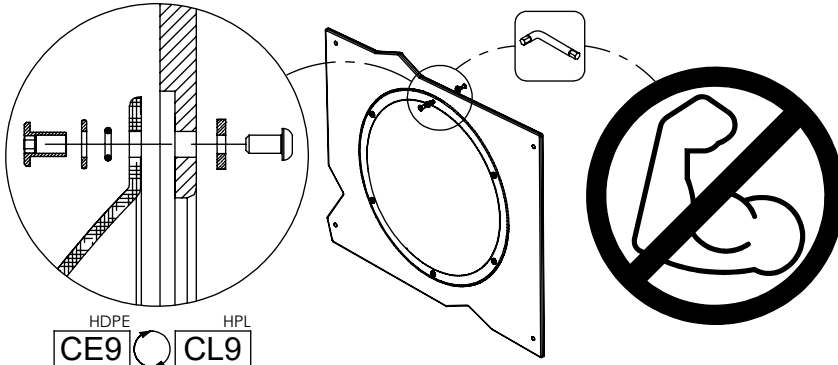
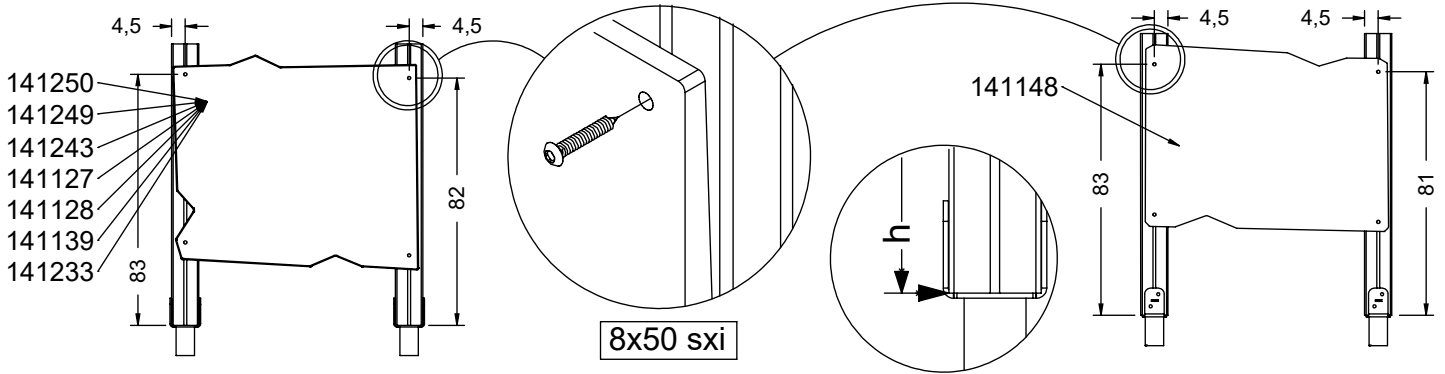
8x50 sxi



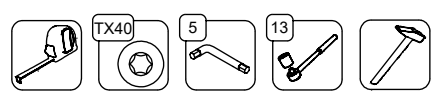
[cm]



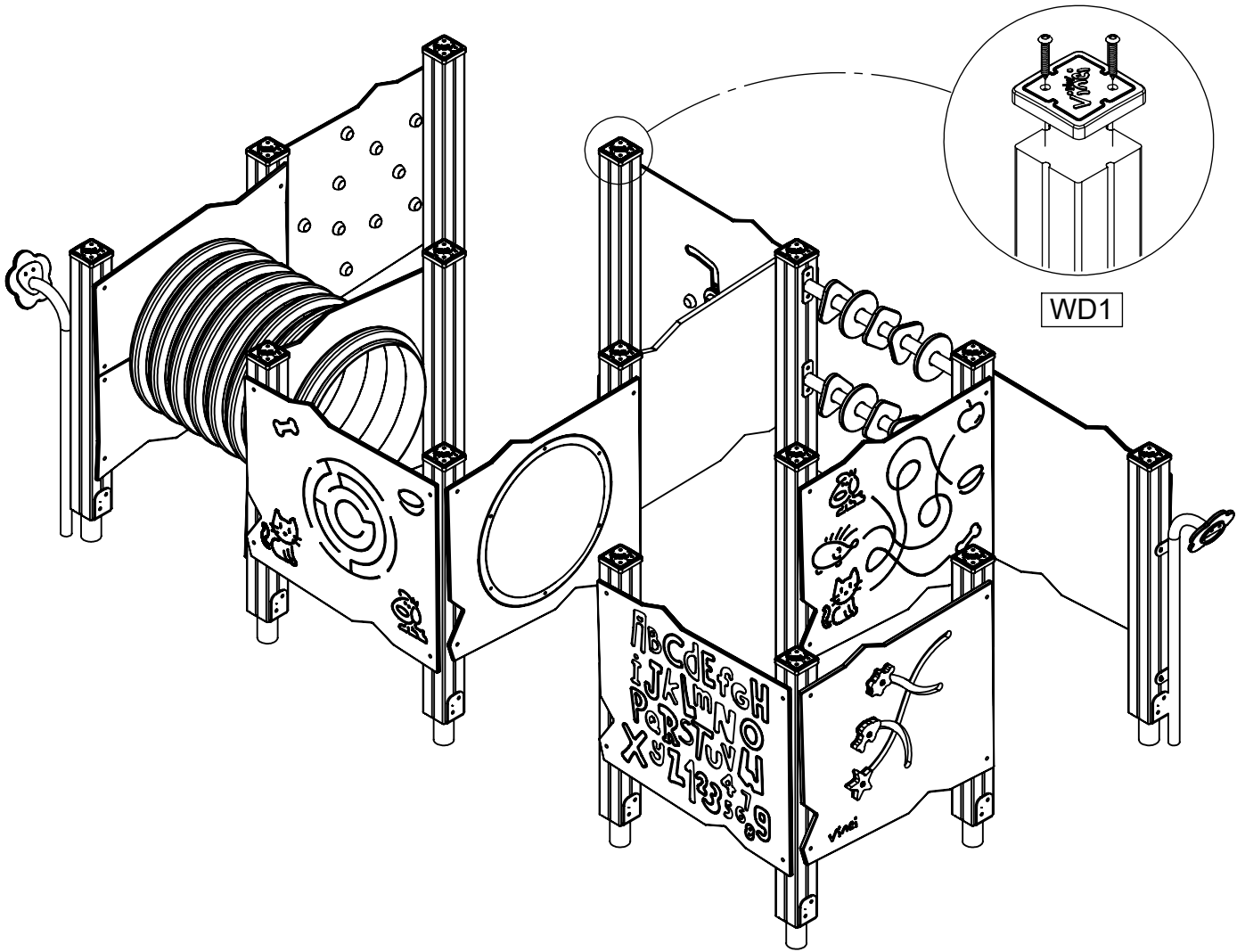
vinci  
play



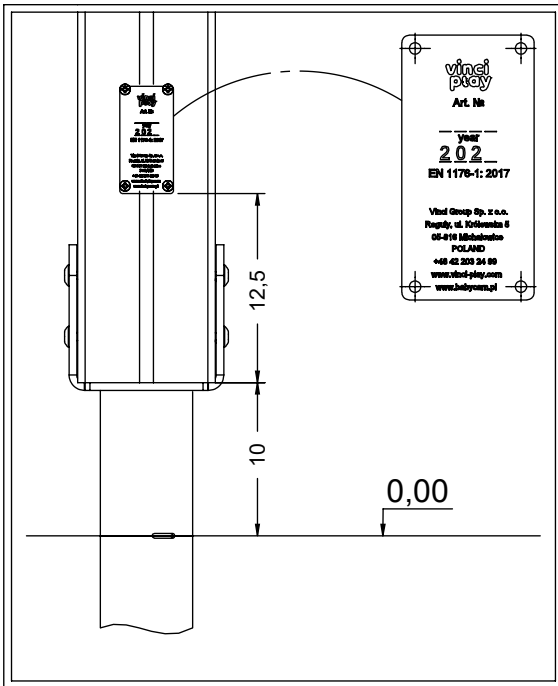
[cm]



vinci play



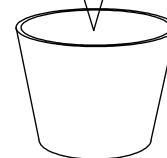
WD1



V001

Part No:  
000000-  
00000

000000-00000



[cm]



vinci  
play