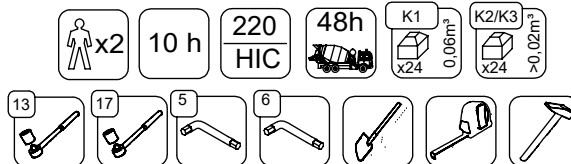
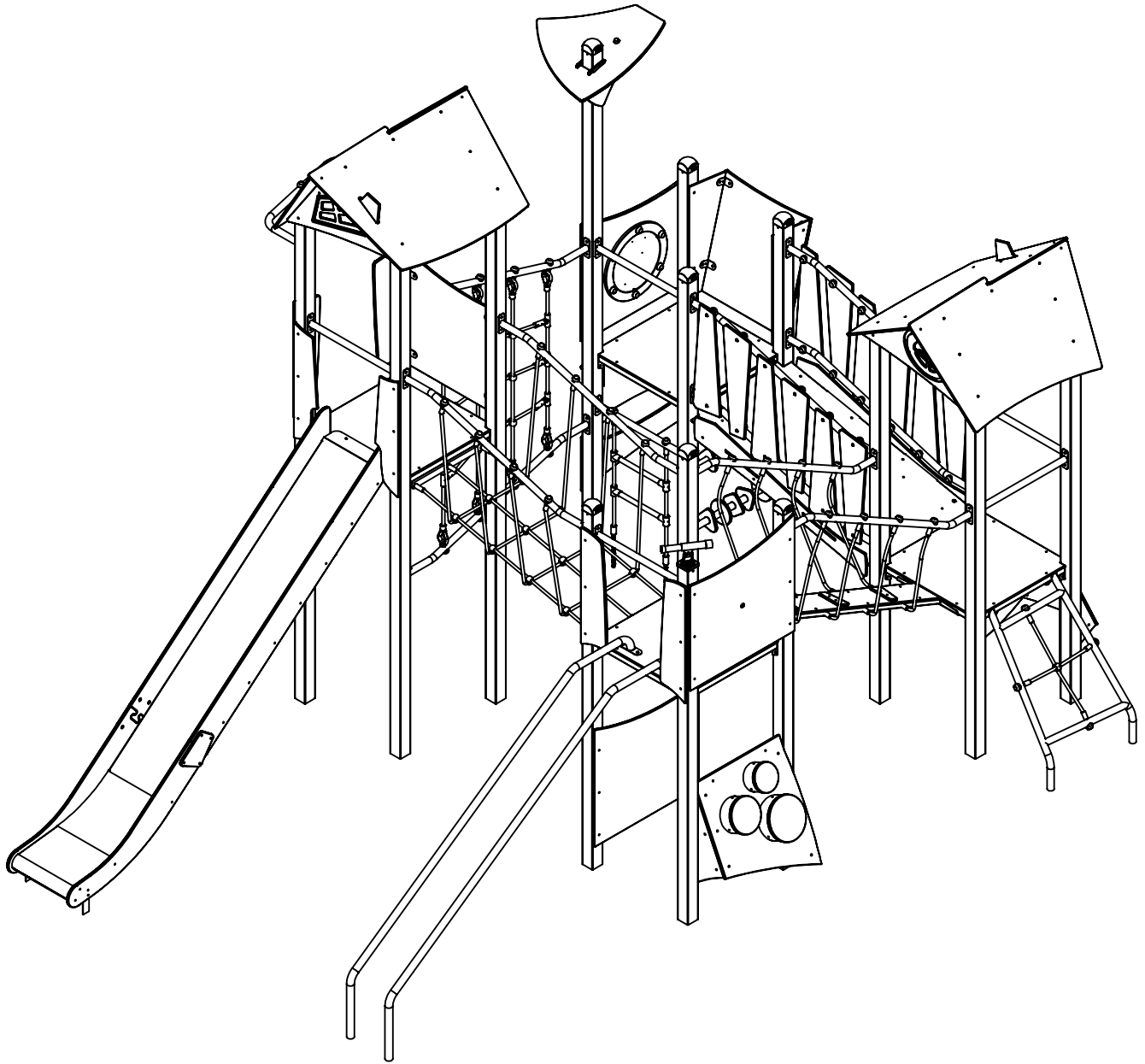


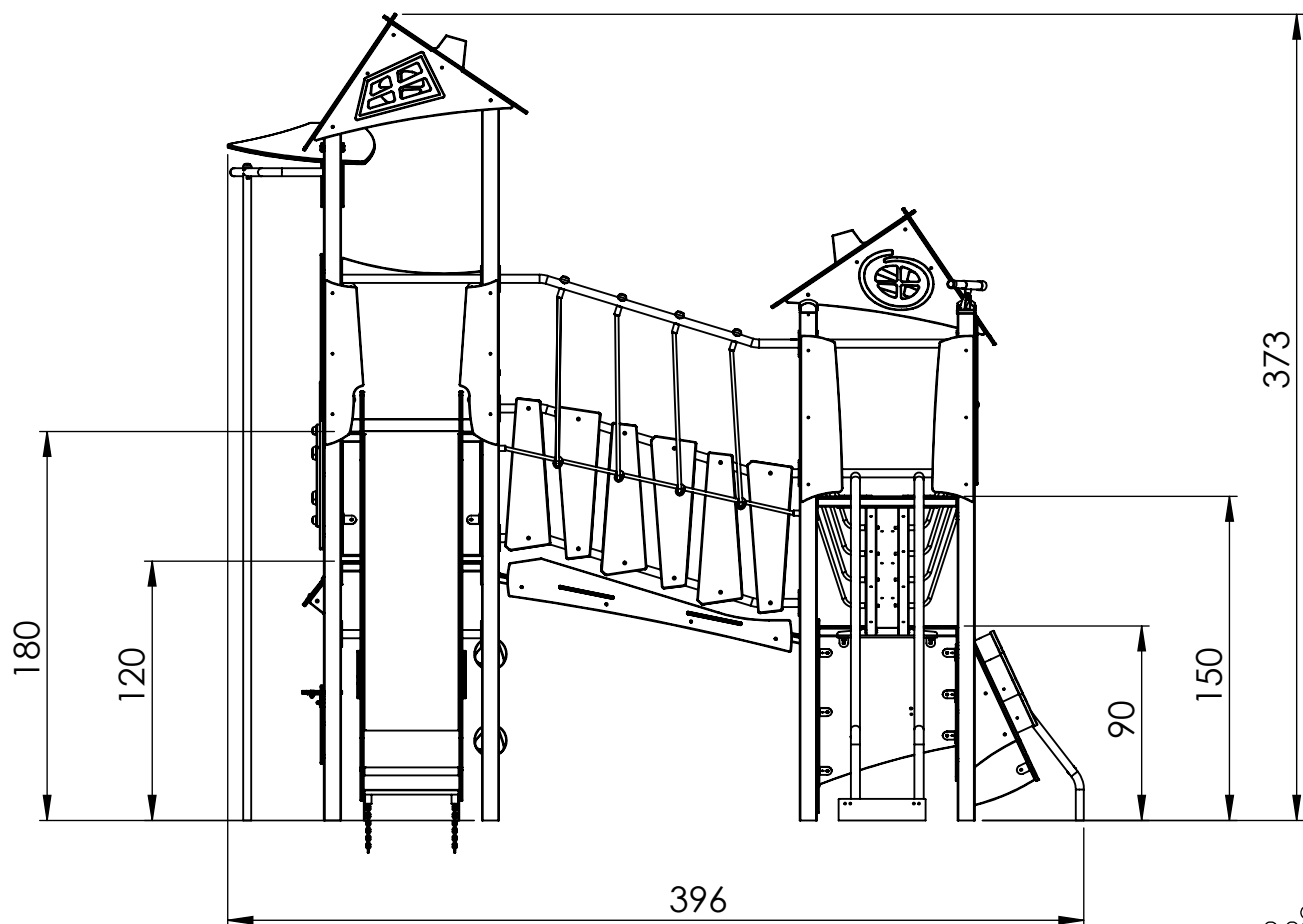
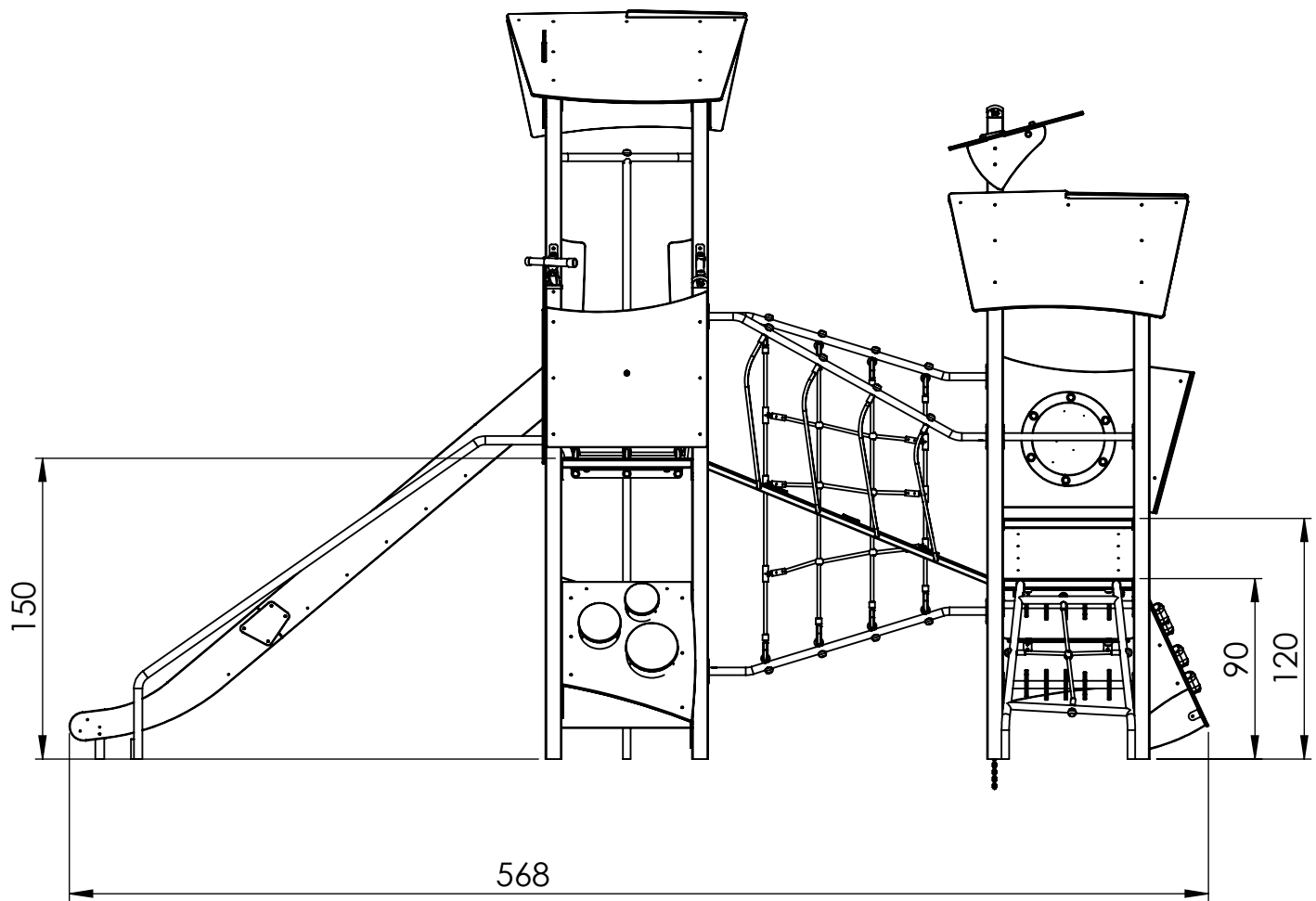
1712



[cm]

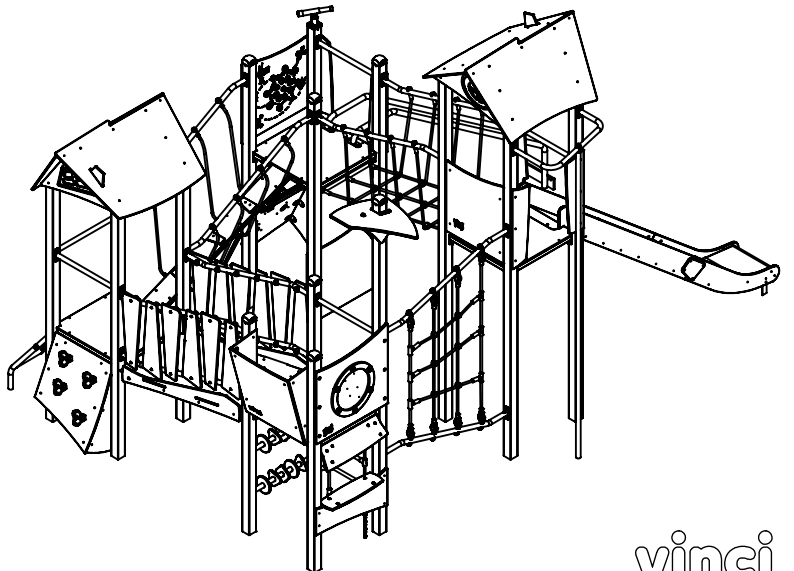
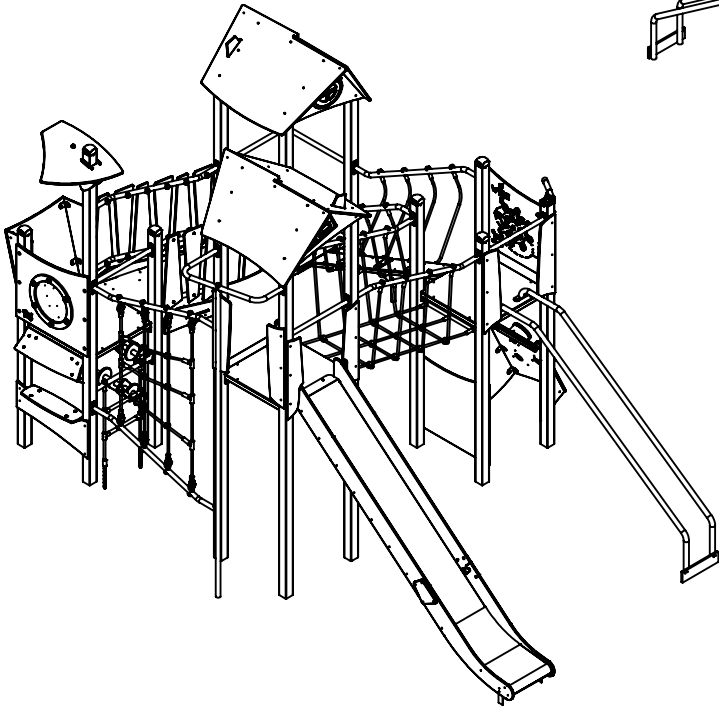
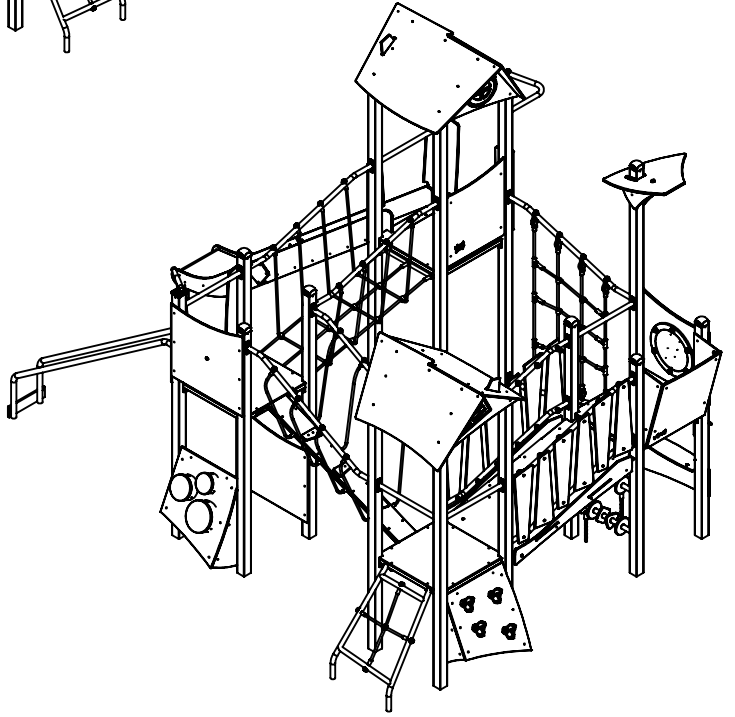
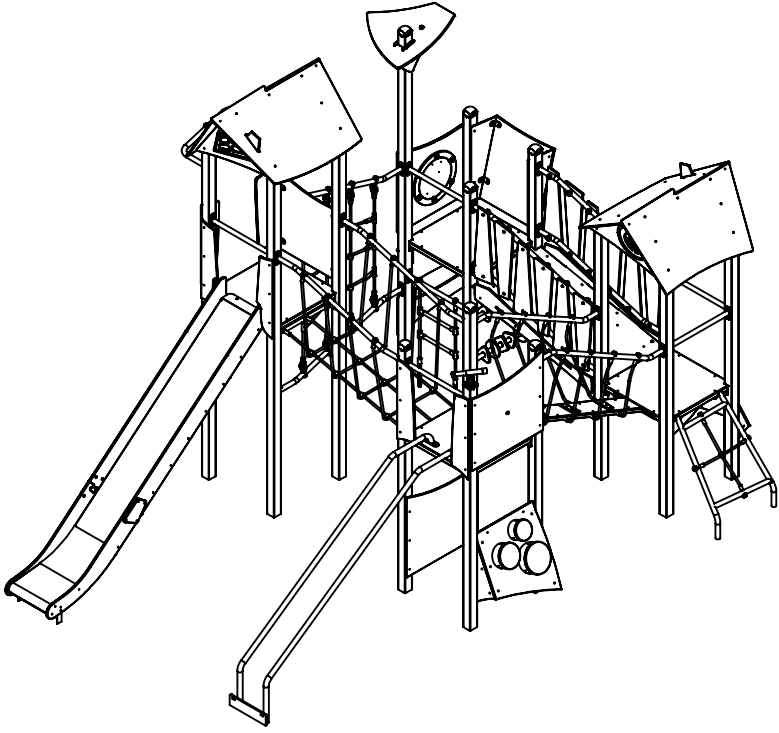
v012 / 17.05.2021
D.P.

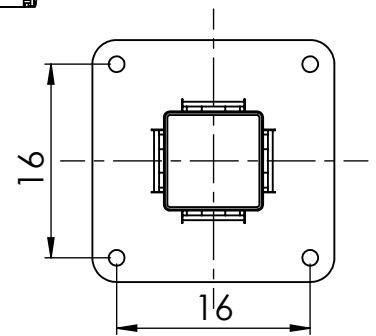
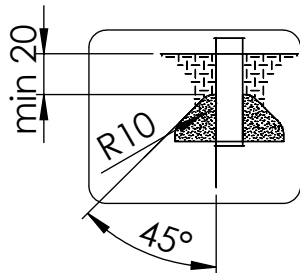
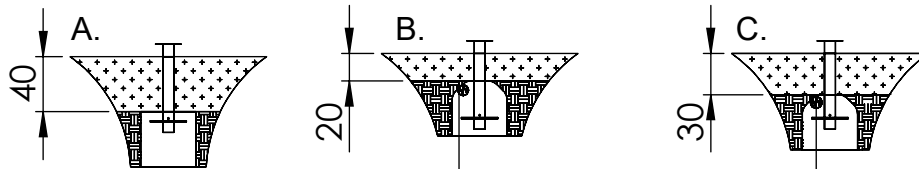
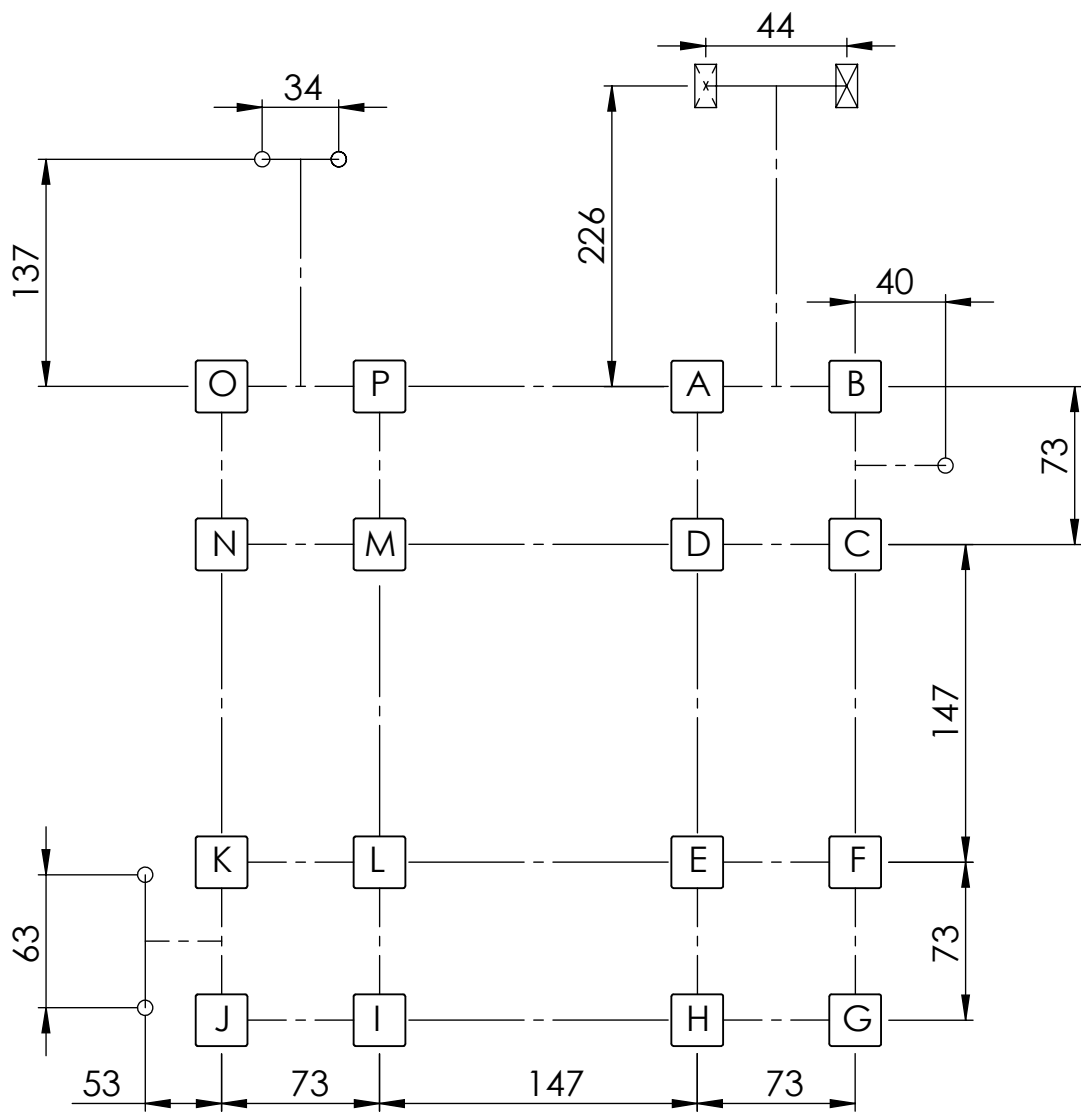
vinci
play



[cm]

vinci
play





K2

M8x120 x4
M10x120 x78

Ø8
Ø10

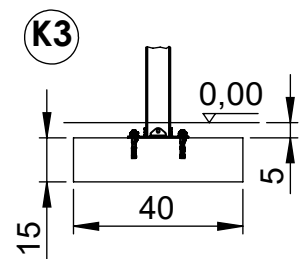
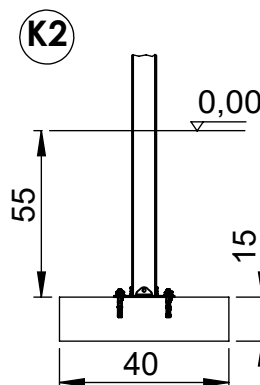
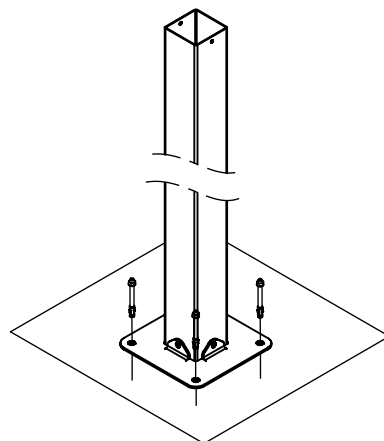
NOT INCLUDED

K3

M10x120 x82

Ø10

NOT INCLUDED



[cm]

vinci
play



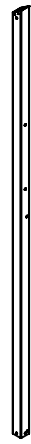
1712A
x1



1712B
x1



1712C
x1



1712D
x1



1712E
x1



1712F
x1



1712G
x1



1712H
x1



1712I
x1



1712J
x1



1712K
x1



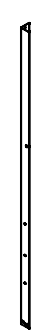
1712L
x1



1712M
x1



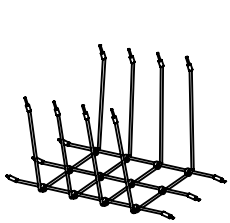
1712N
x1



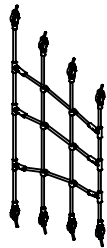
1712O
x1



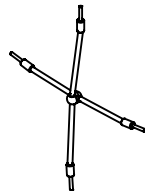
1712P
x1



145141
x1



145108
x1



145113
x1



145130
x2





145131
x2

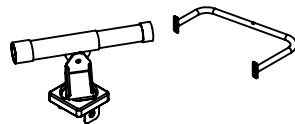


145132
x2

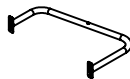


145133
x2

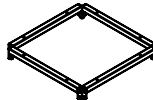
<p>K1,K2</p>  <p>992128 x1</p>	<p>K3</p>  <p>992129 x1</p>
--	---



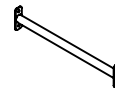
174136
x1



142131
x1



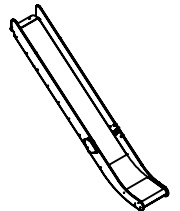
172100
x4



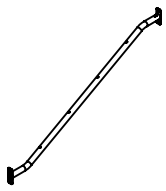
142117
x5



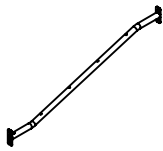
144126
x2



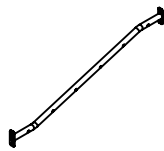
994106
x1



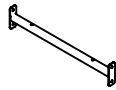
142132
x2



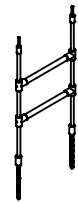
142138
x4



142142
x4

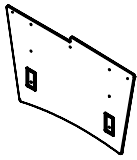


142137
x1

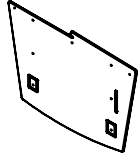


145127
x1

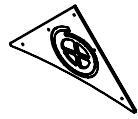
S1	S6	
171122 x1	171234 x1	171233 x1



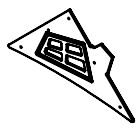
171100
x2



171101
x2



171102
x2



171103
x2



171115
x2



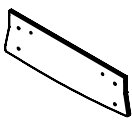
171113
x1



021146
x2



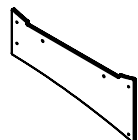
021149
x1



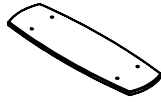
171105
x1



171106
x2



171107
x1



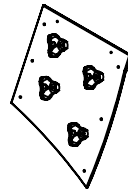
171108
x1



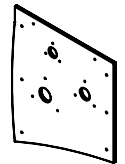
171117
x2



171118
x2



171140
x1



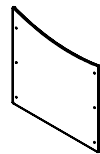
171119
x1



171112
x2



171164
x4



171138
x1



174116
x1



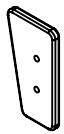
171104
x1



141137
x2



141107
x1



141145
x3



171146
x1



171125
x1



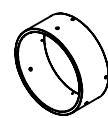
171126
x1



171127
x1



996228
x1



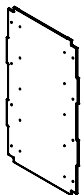
996229
x1



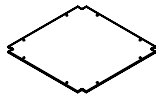
996230
x1



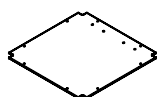
141142
x12



171135
x1



171123
x2



171204
x1



171142
x1



171244
x1



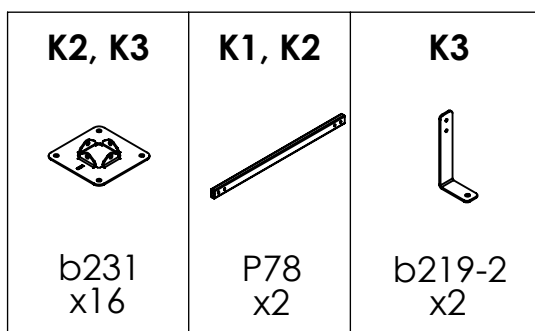
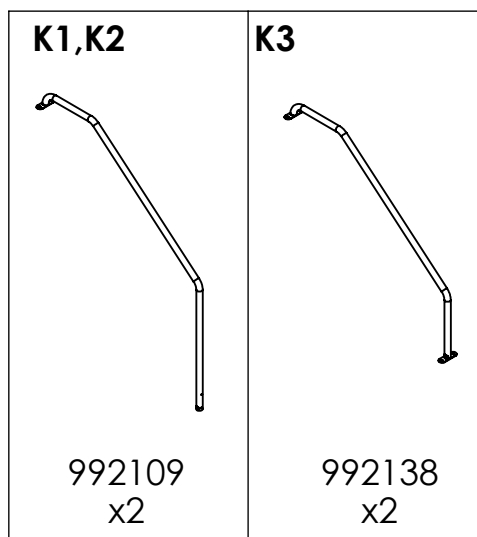
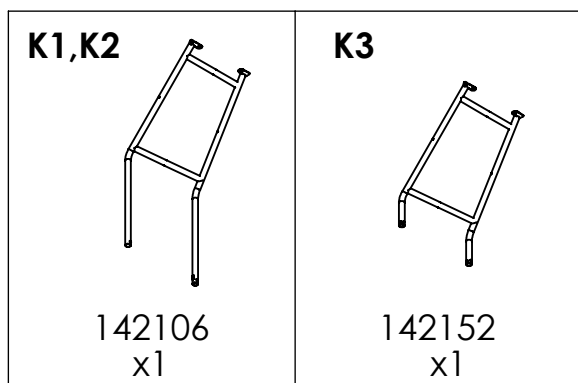
172106
x1



171136
x2



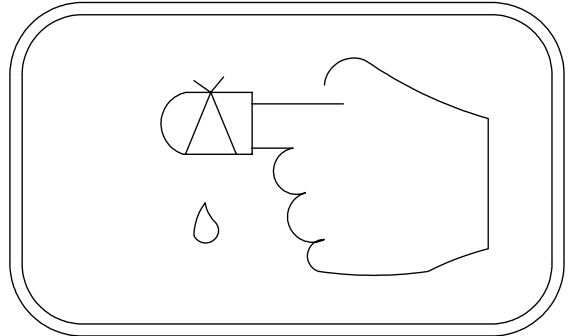
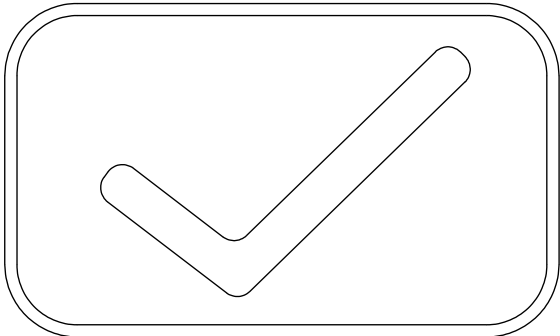
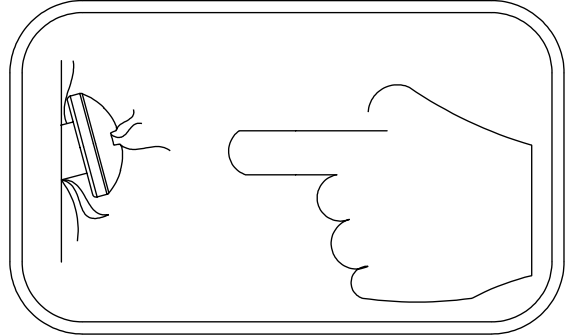
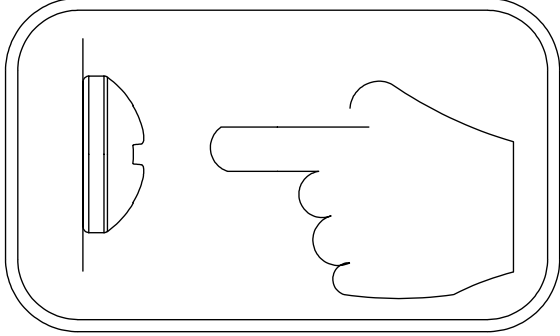
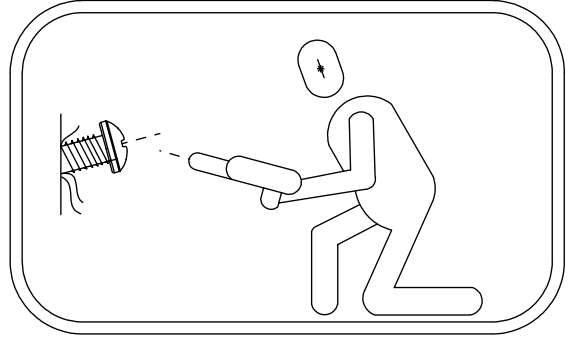
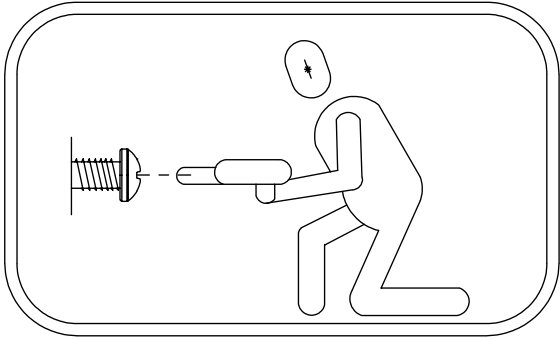
991106
x1

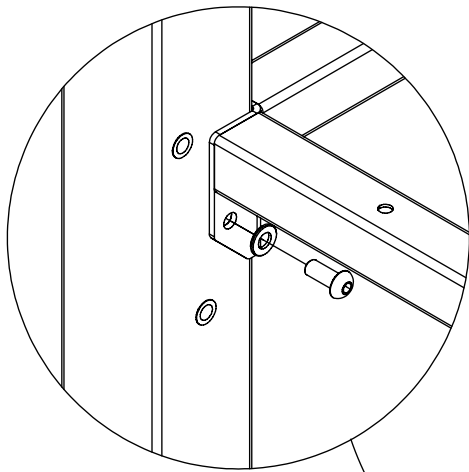


Qty.	ST/INOX
64	10 pp (K2, K3)
64	10 nh (K2, K3)
64	10x20 m (K2, K3)
112	10x25 ikl
20	10x30 ikl
32	10 pp
32	8x25 ikl
22	8x30 ikl
4	10x40 ikl
2	8 pp
1	17e022 (K2, K3)
1	17e034 (K1, K3)
1	17e035 (K2)
1	17e038 (K2, K3)
1	17e044 (K1)
1	17e045 (K2)
1	17e012
7	17e014
1	17e031
1	17e036
1	17e039
2	17e052
1	V001
1	GL (K2,K3)

Qty.	HDPE
1	17c002
2	17c008
1	17c012
1	17c014
1	17c016
1	17c018
2	17c020
1	17c026
1	17c028
1	17c030
1	17c032
1	17c040

Qty.	HPL
3	17p003
1	17p009
1	17p015
1	17p017(s1)
1	17p019(s6)
3	17p021
2	17p023
1	17p029
2	17p037
1	17p045
1	17p047
1	17p051
1	17p061(s6)

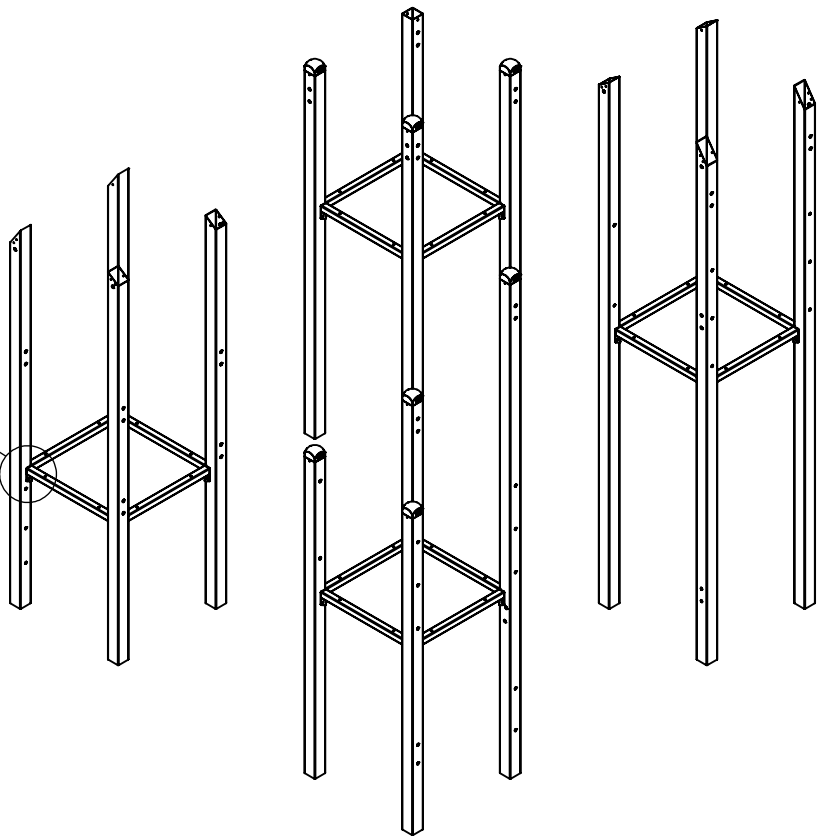
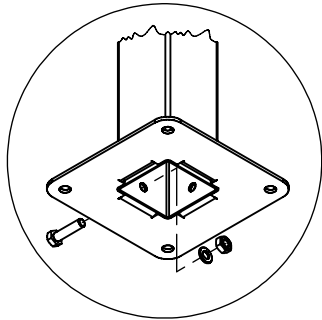




32x 10x25ikl

32x 10pp

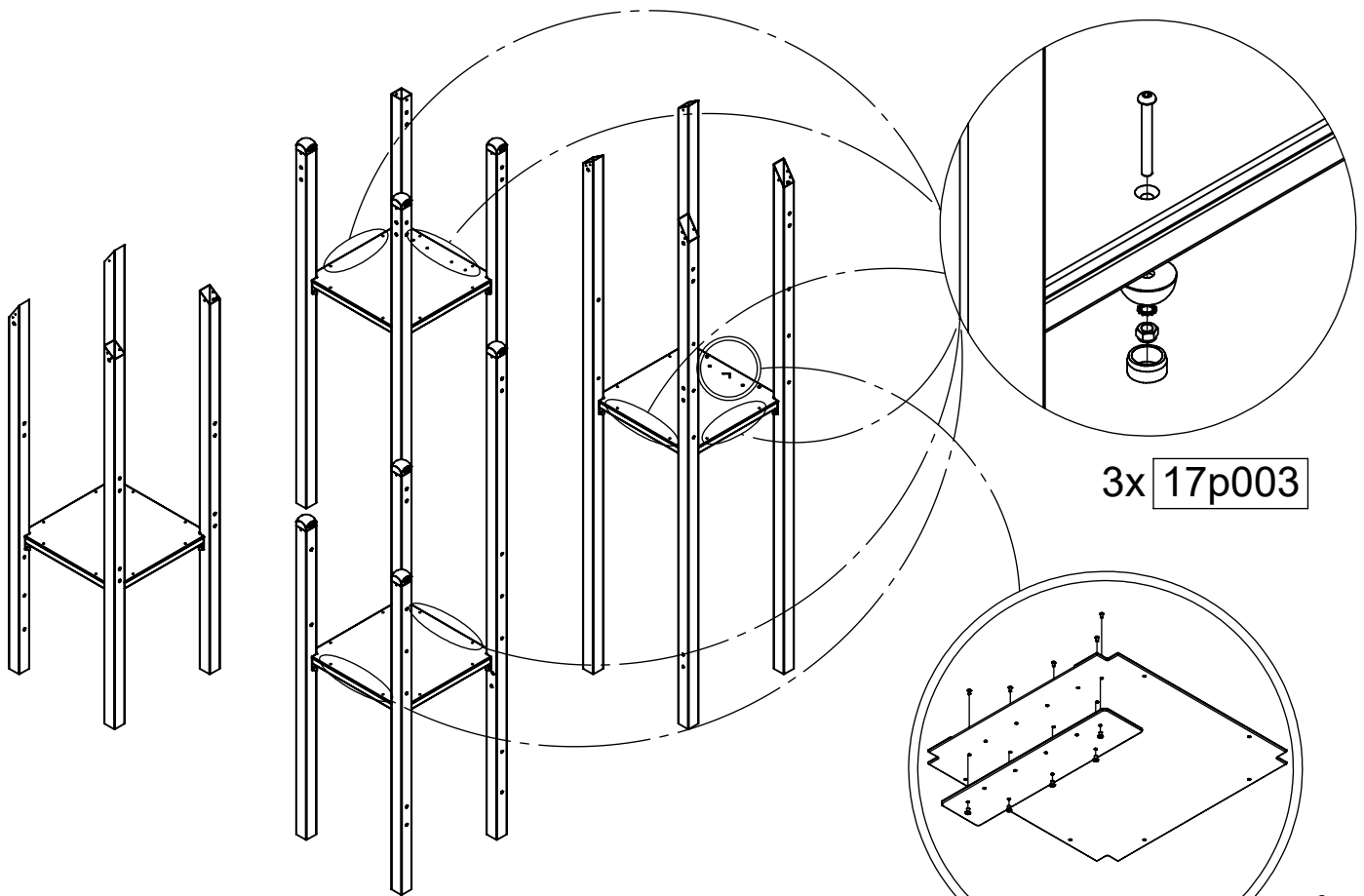
K2, K3



64x 10x20m

64x 10pp

64x 10nh



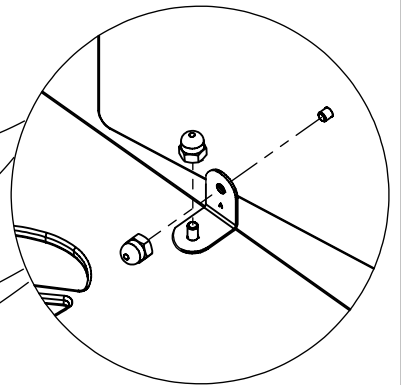
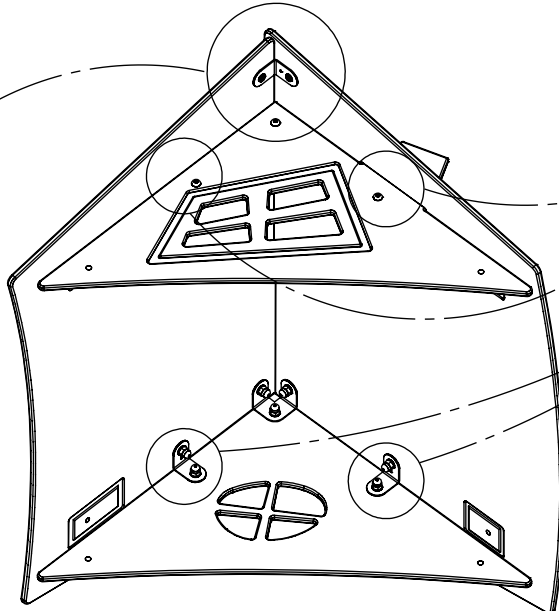
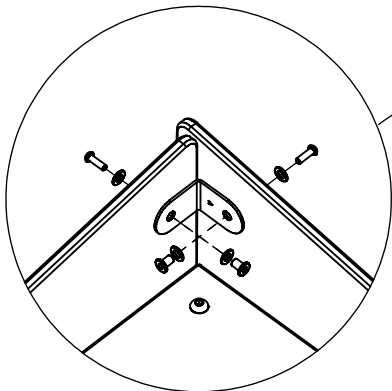
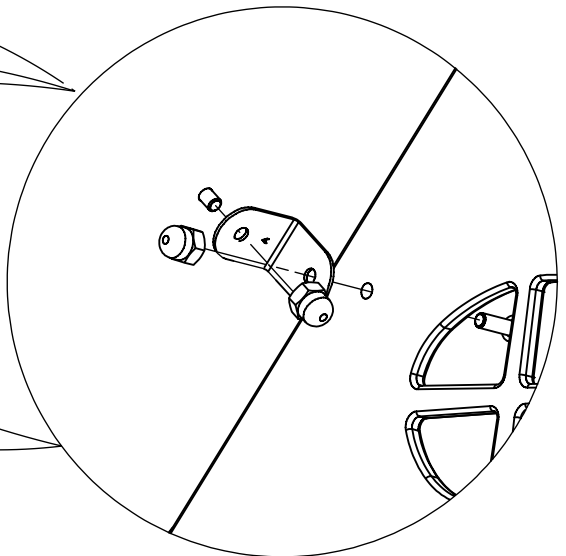
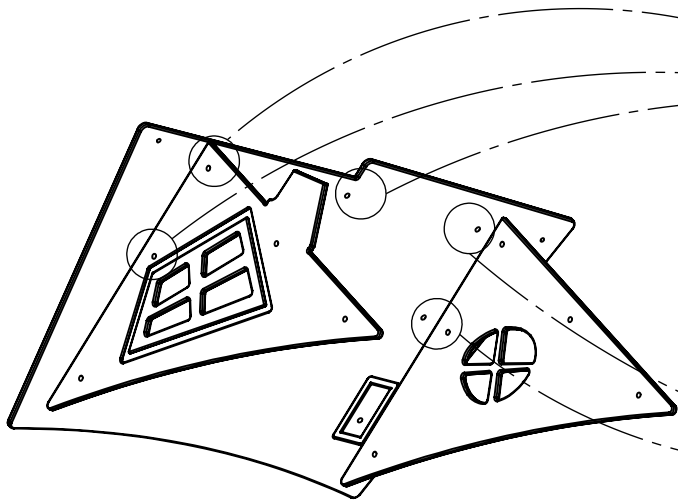
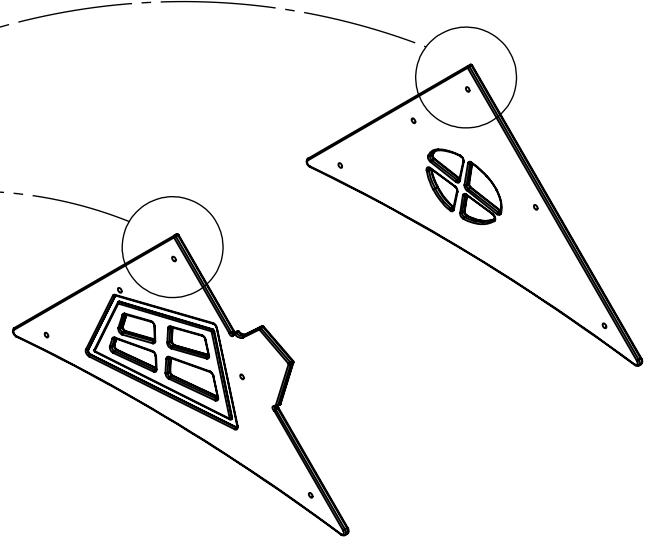
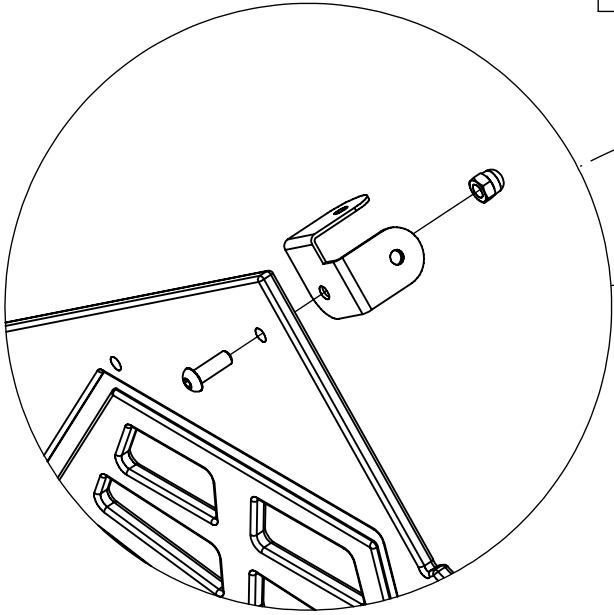
3x 17p003

1x 17p061 S6

[cm]

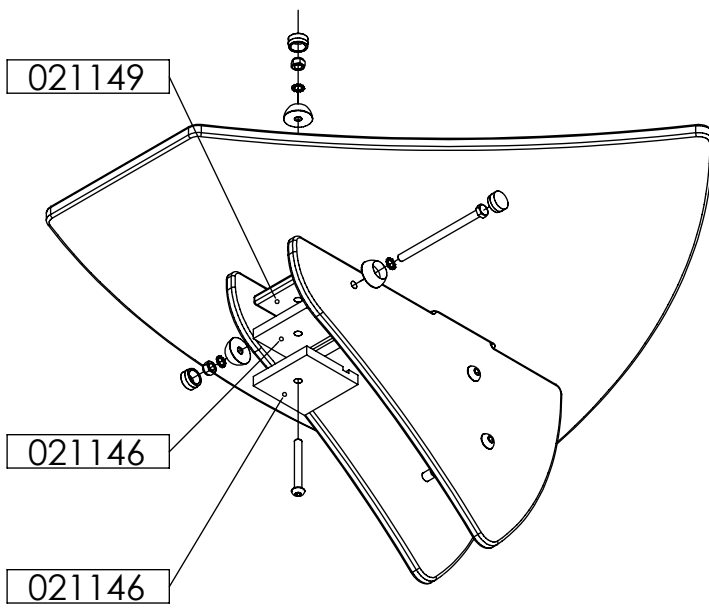
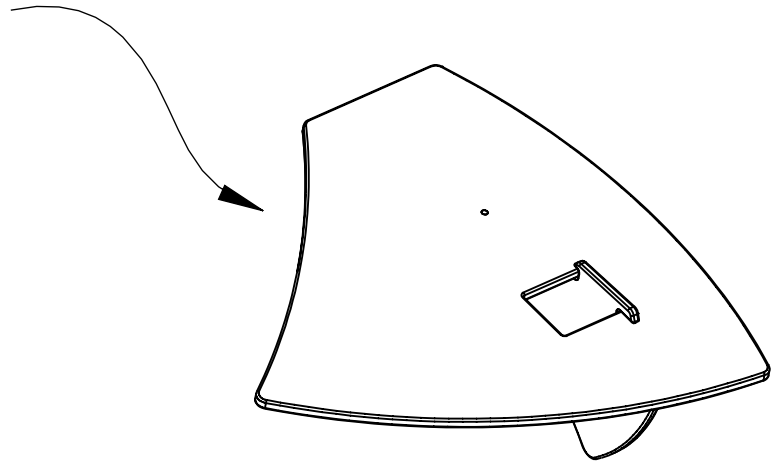
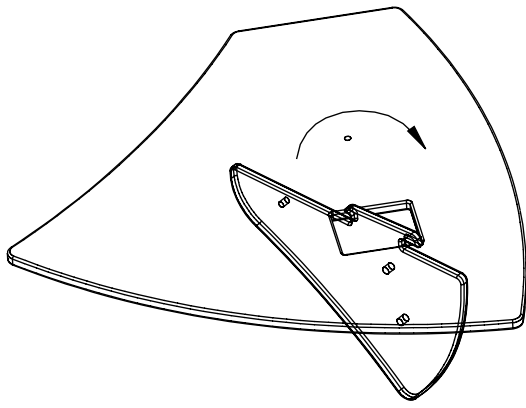
vinci play

2x 17c020

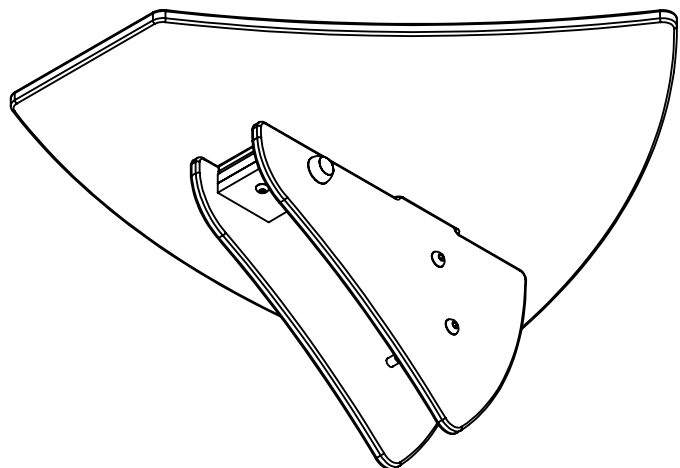


[cm]

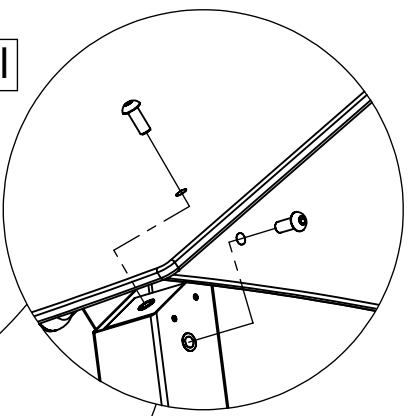
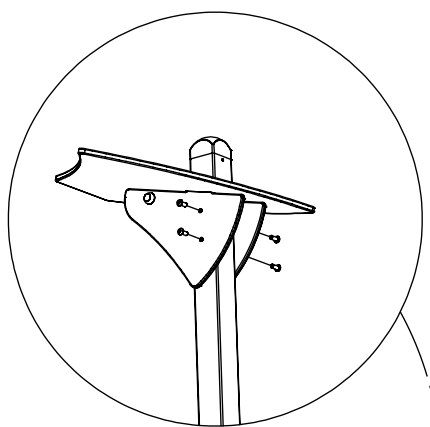
vinci
play



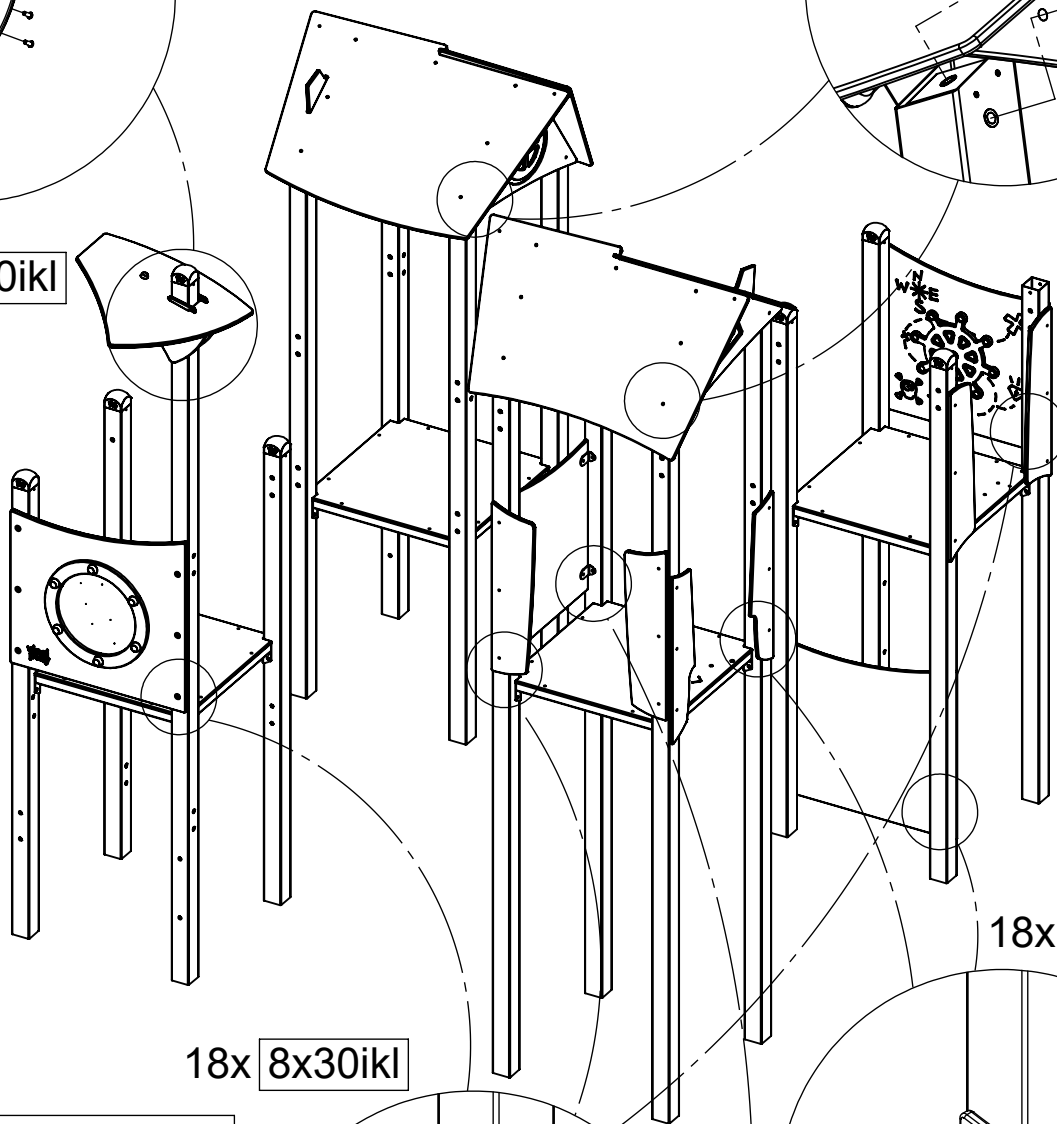
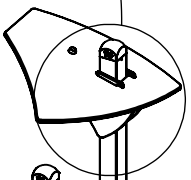
1x 17c032



16x 10x30ikl

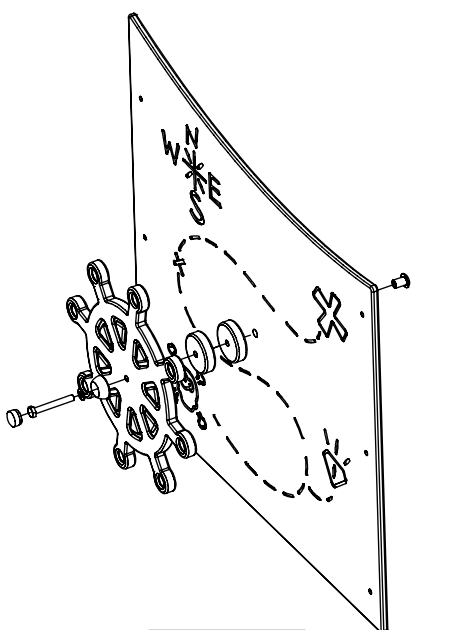
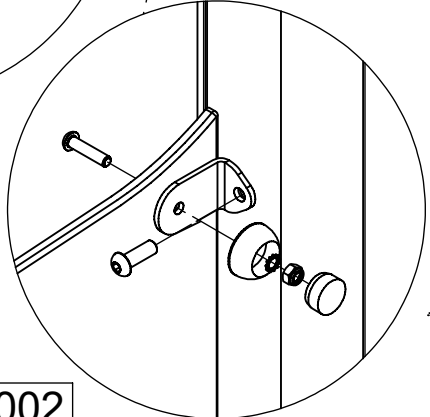
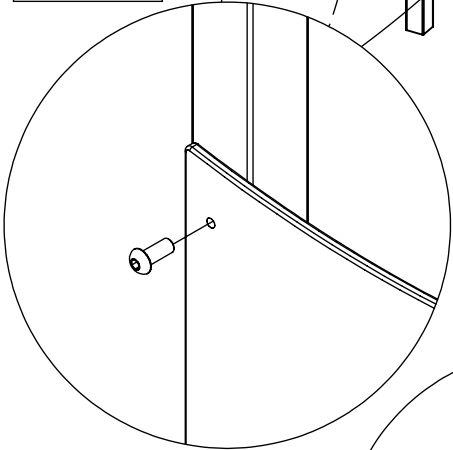
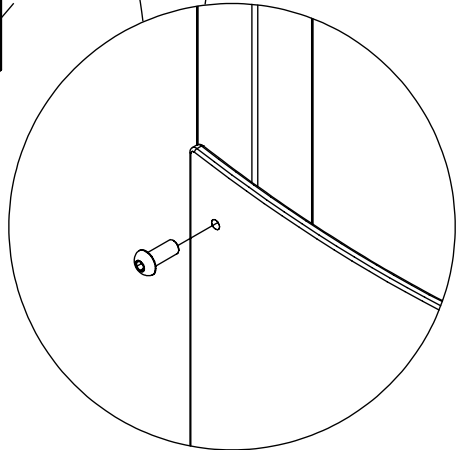


4x 10x30ikl



18x 8x25ikl

18x 8x30ikl

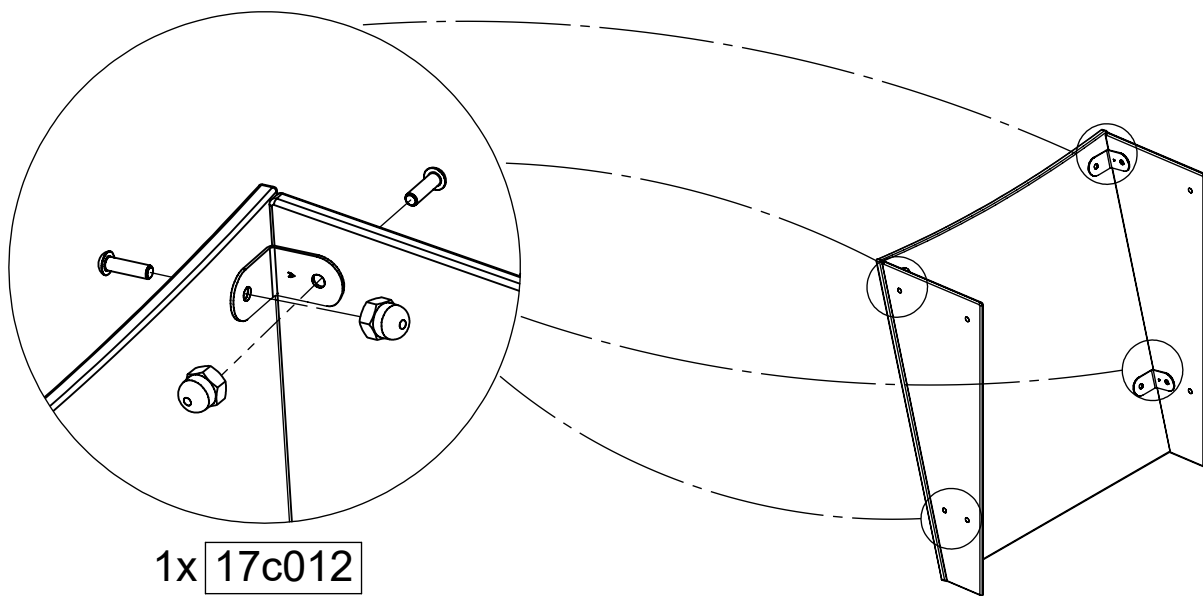


1x 17c040

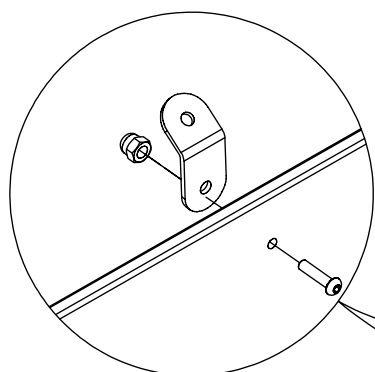
1x 17c002

[cm]

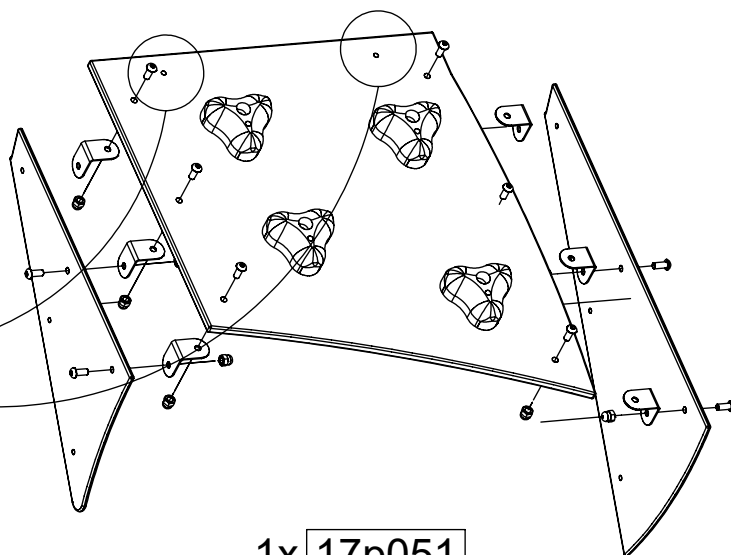
vinci play



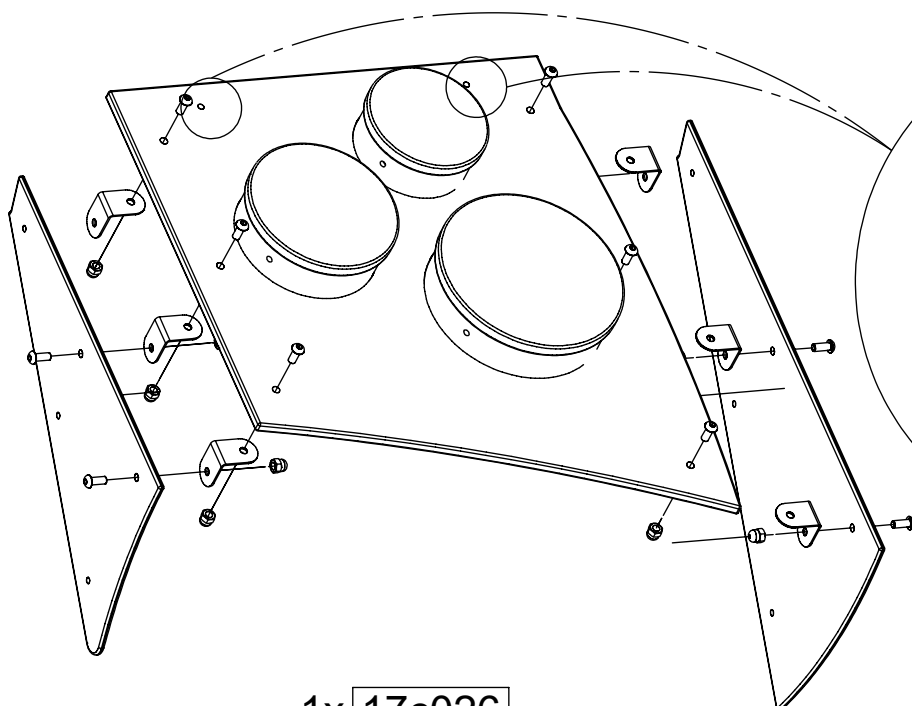
1x 17c012



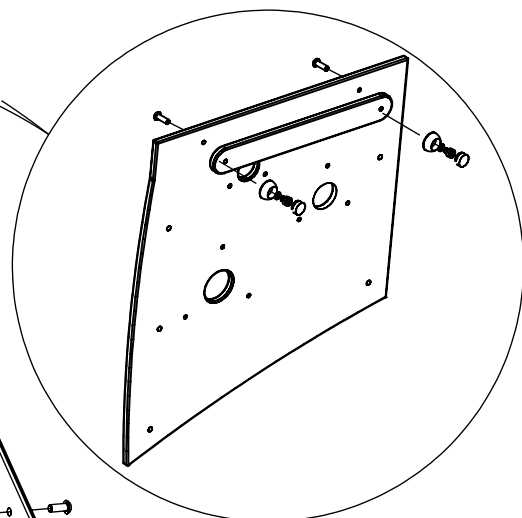
1x 17p015



1x 17p051



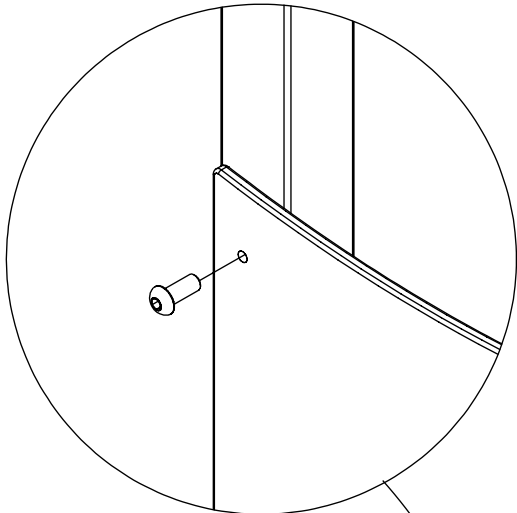
1x 17c026



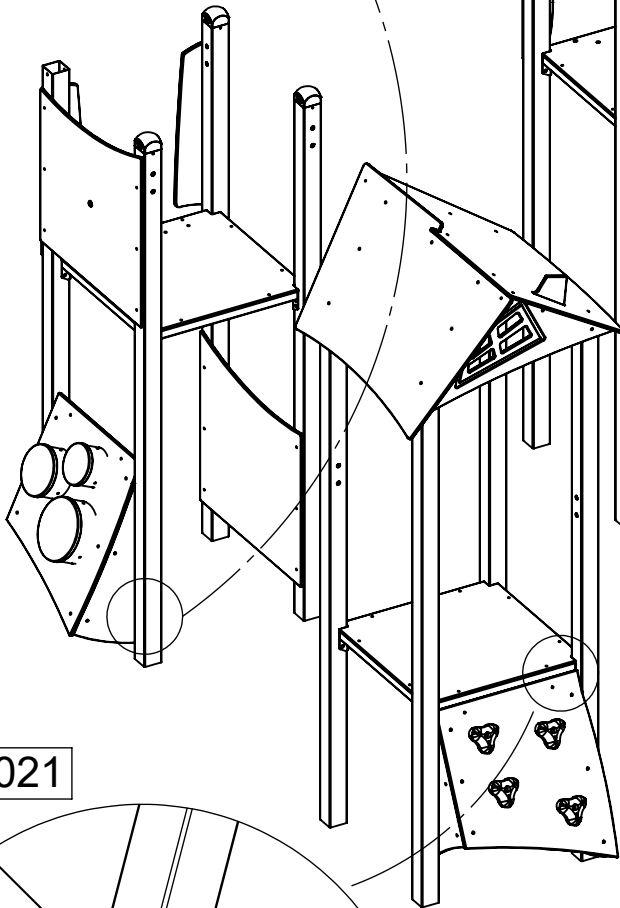
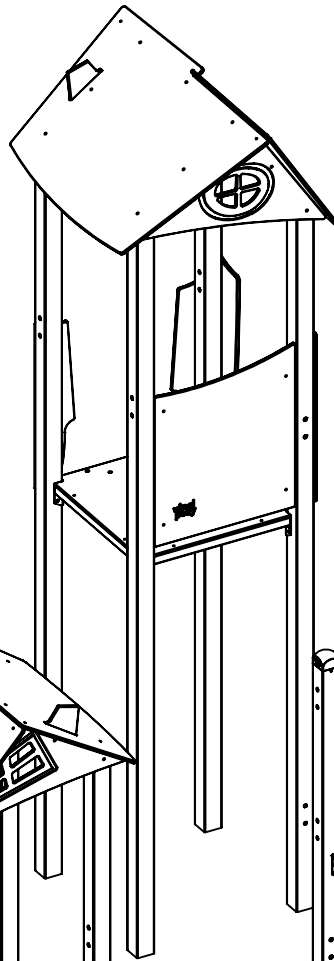
1x 17c018

[cm]

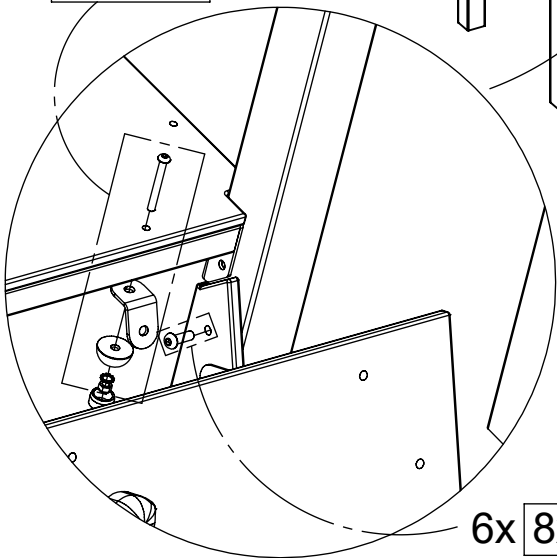
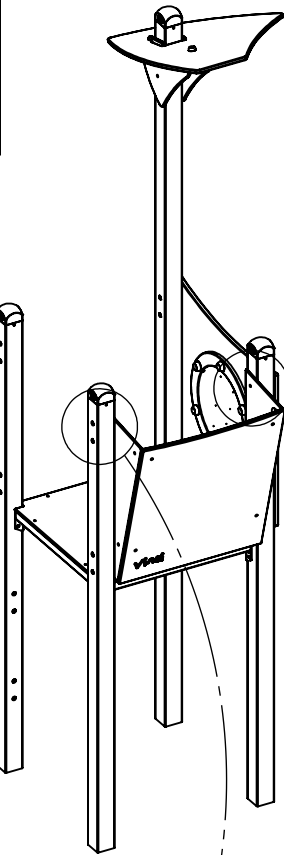
vinci
play



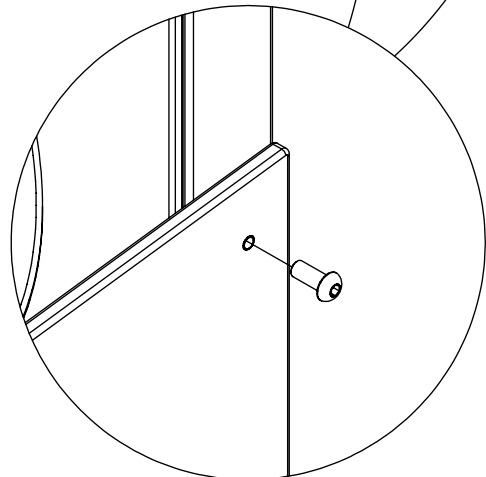
6x 8x25ikl



1x 17p021



6x 8x25ikl

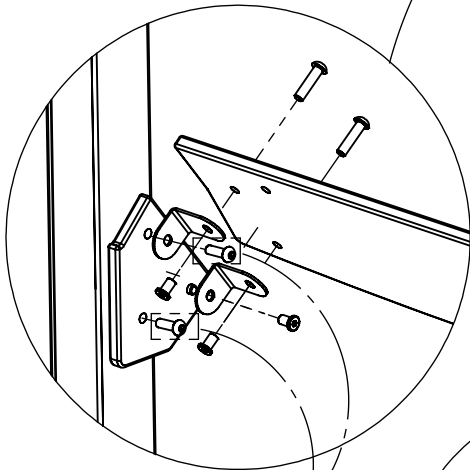
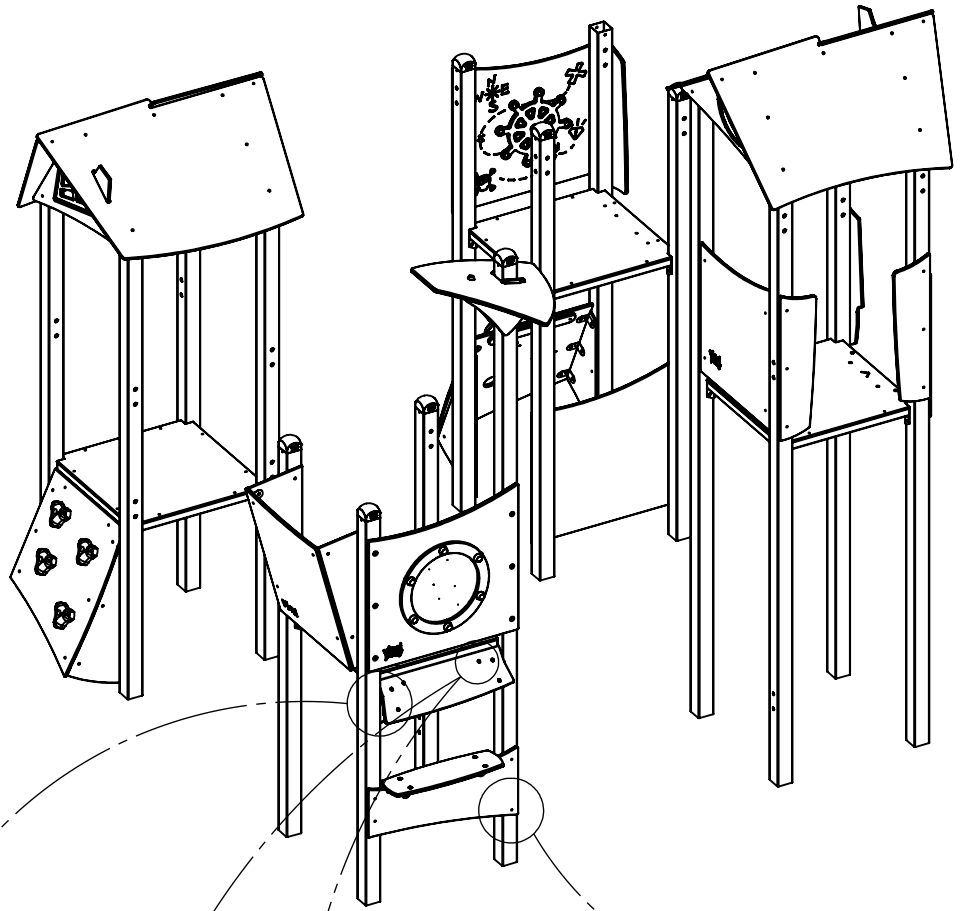
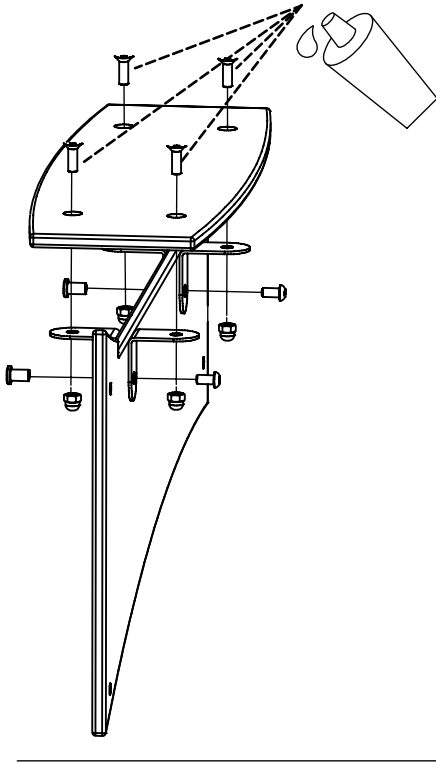


4x 10x25ikl

[cm]

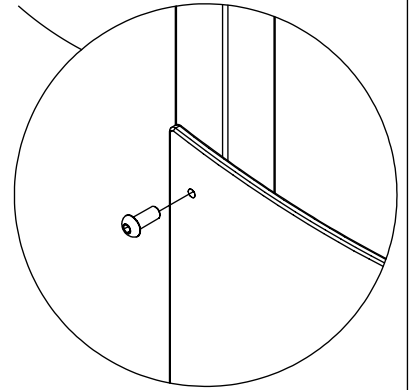
vinci
play

1x 17c014

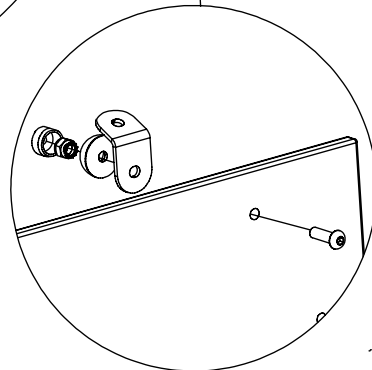


4x 10x40i

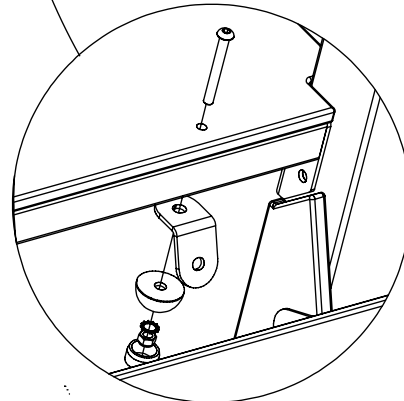
1x 17c016



4x 8x30i



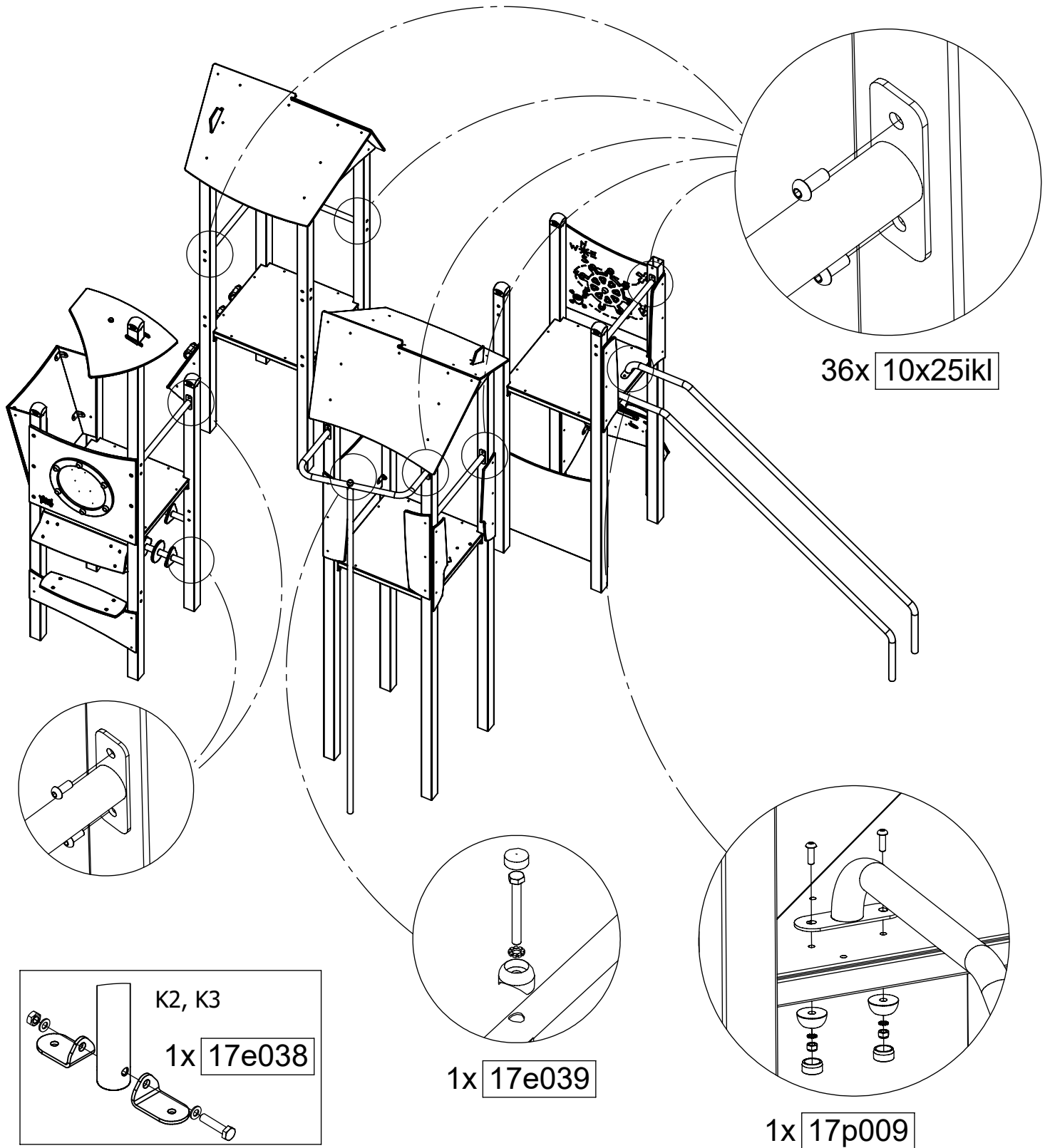
1x 17c028



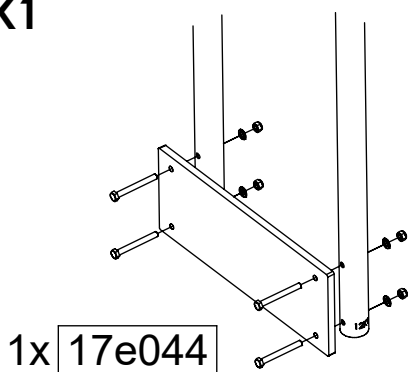
1x 17p021

[cm]

vinci
play

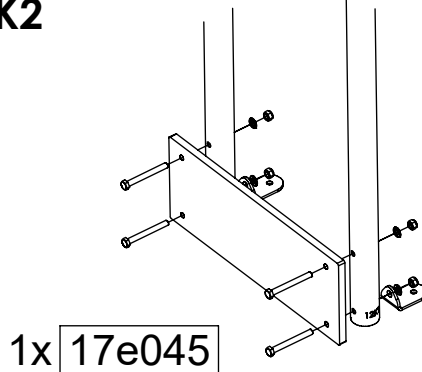


K1

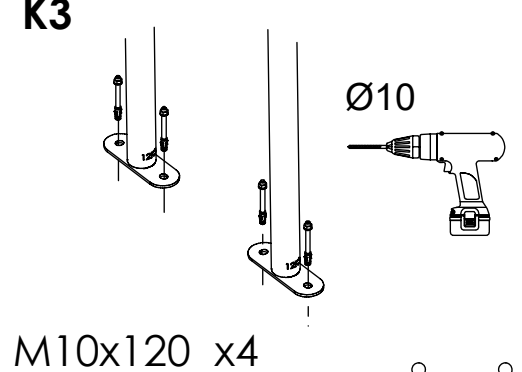


[cm]

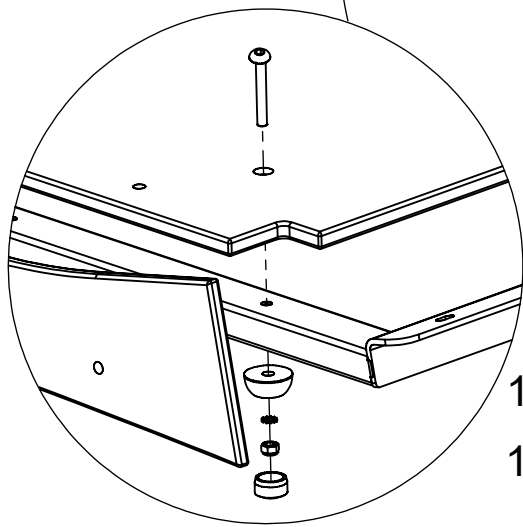
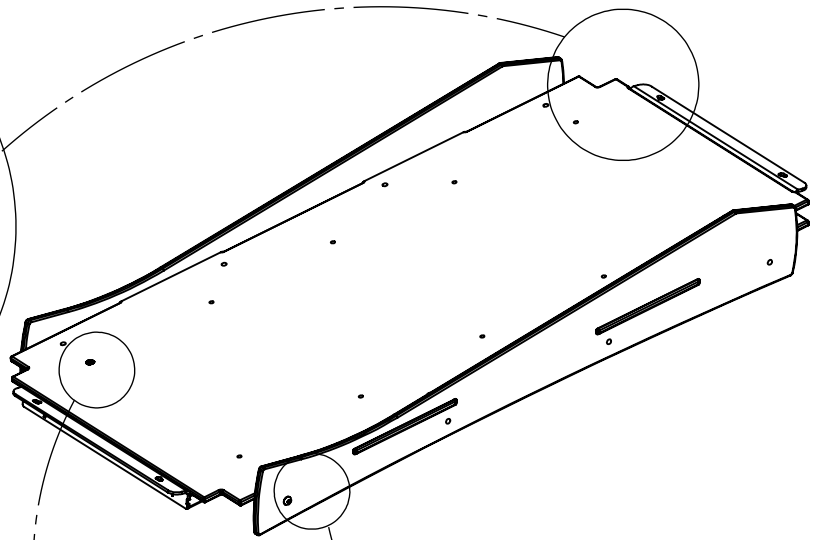
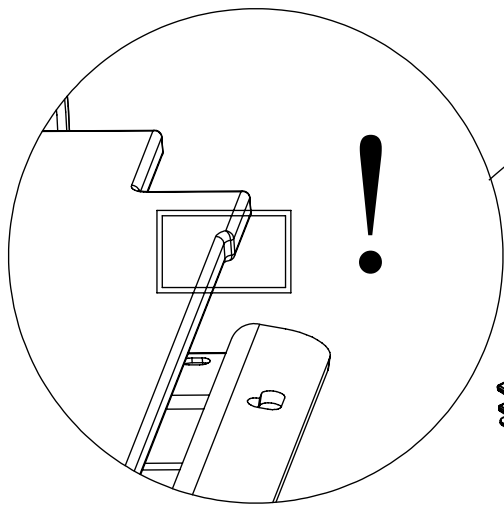
K2



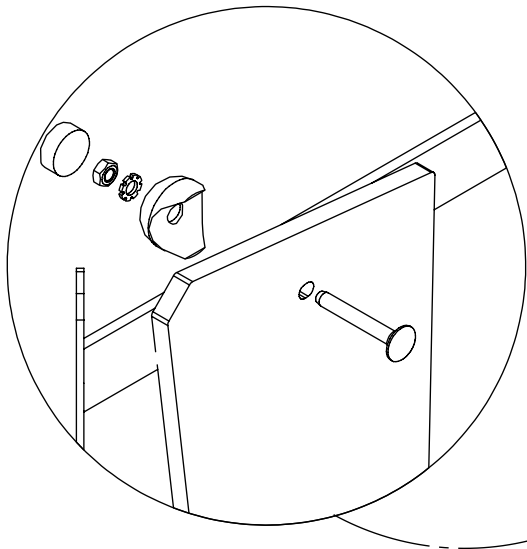
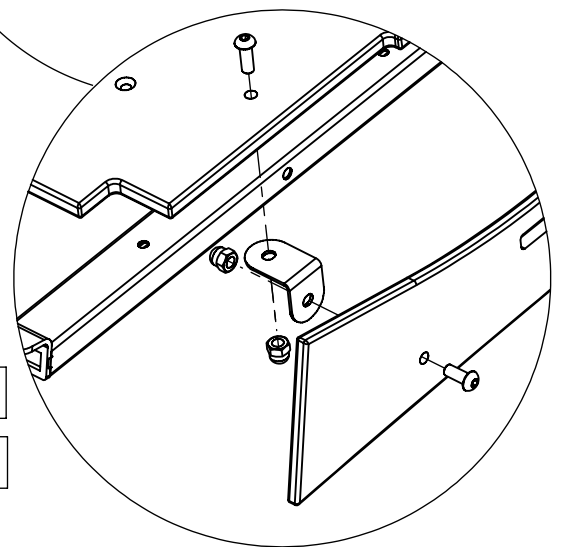
K3



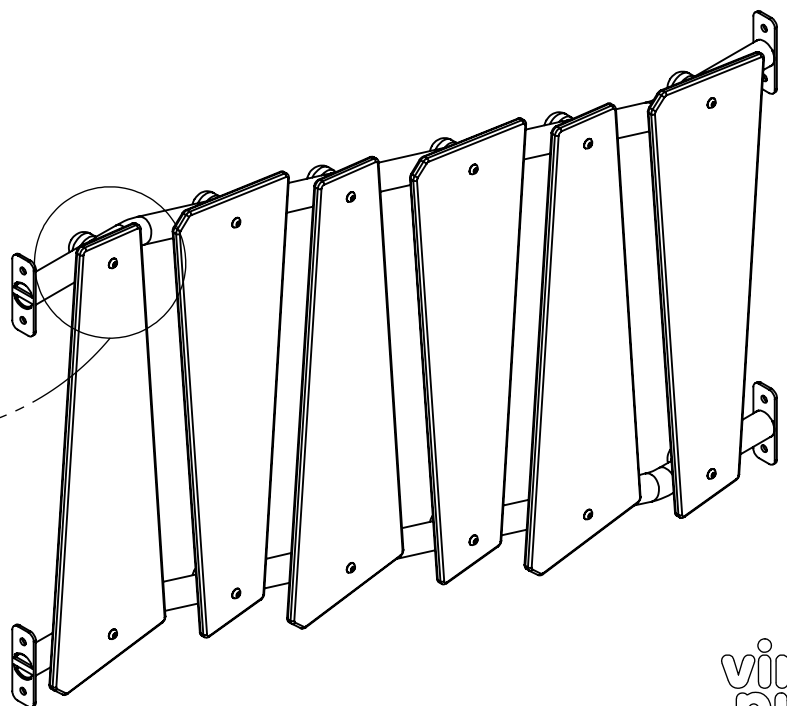
vinci
play



1x 17c030
1x 17p029



2x 17c008



[cm]

vinci
play

20x 10x25ikl

1x 17p023

1x 17e012

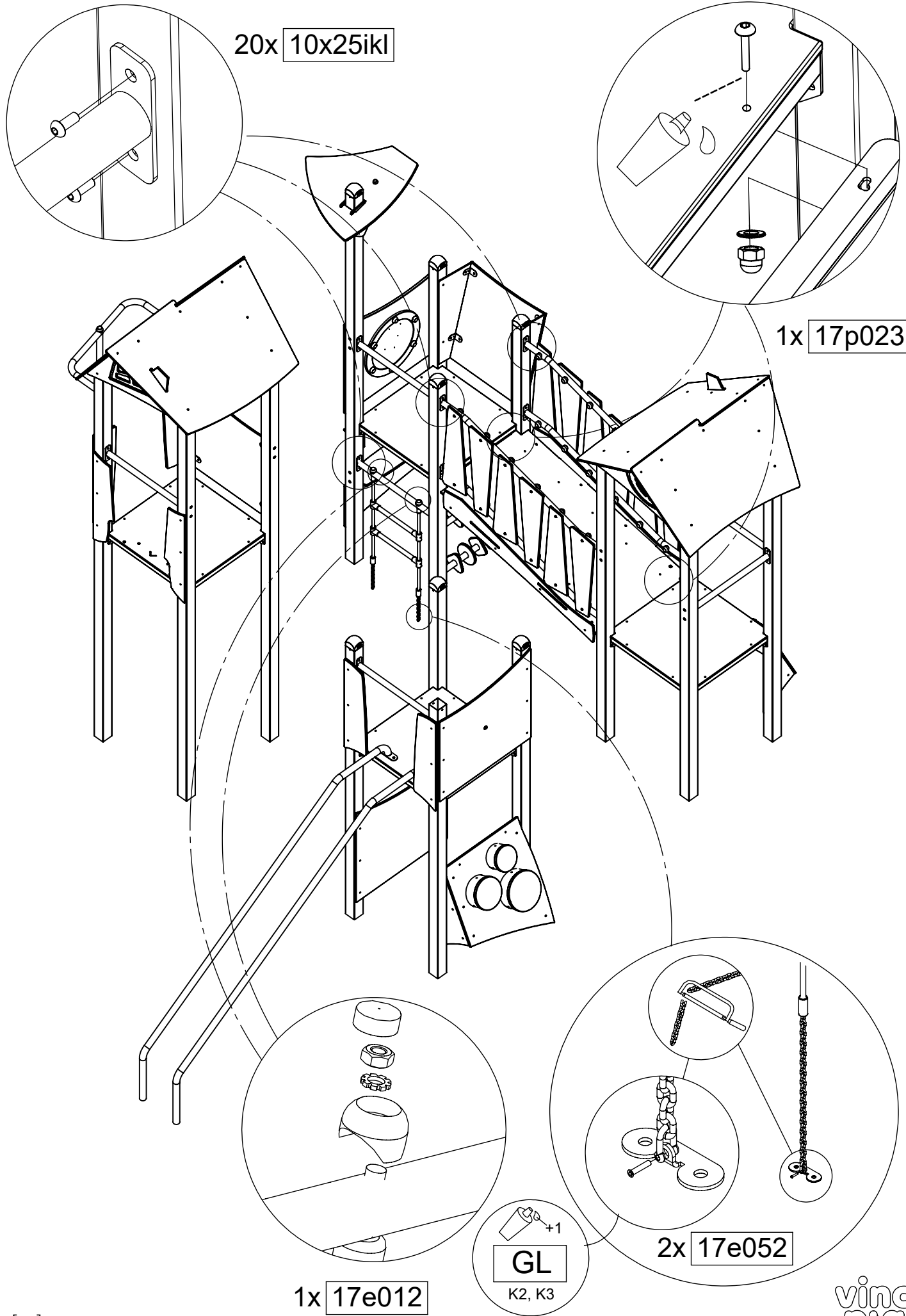
GL

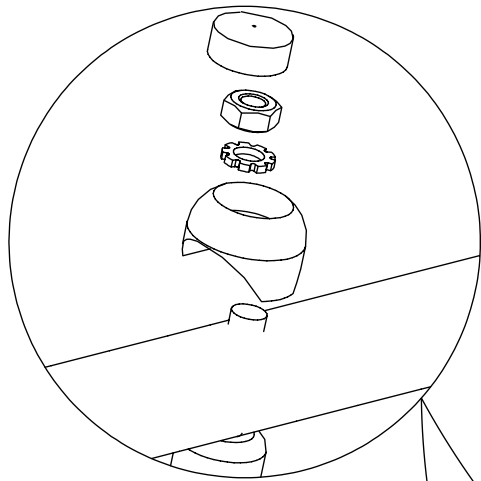
K2, K3

2x 17e052

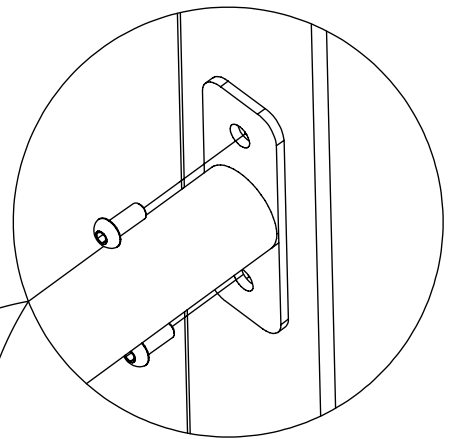
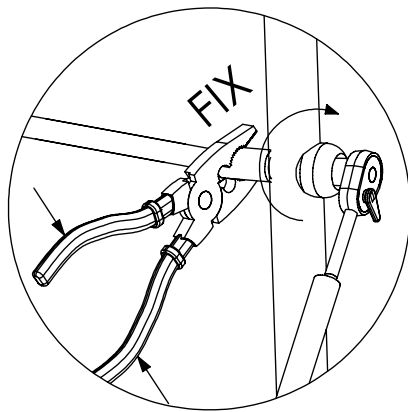
[cm]

vinci
play

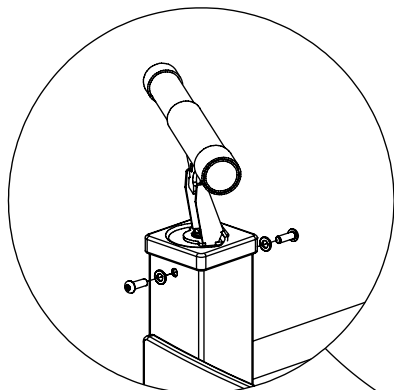




4x 17e014

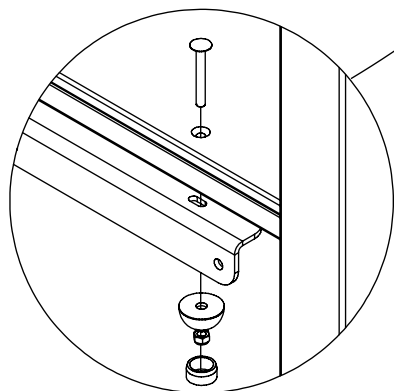
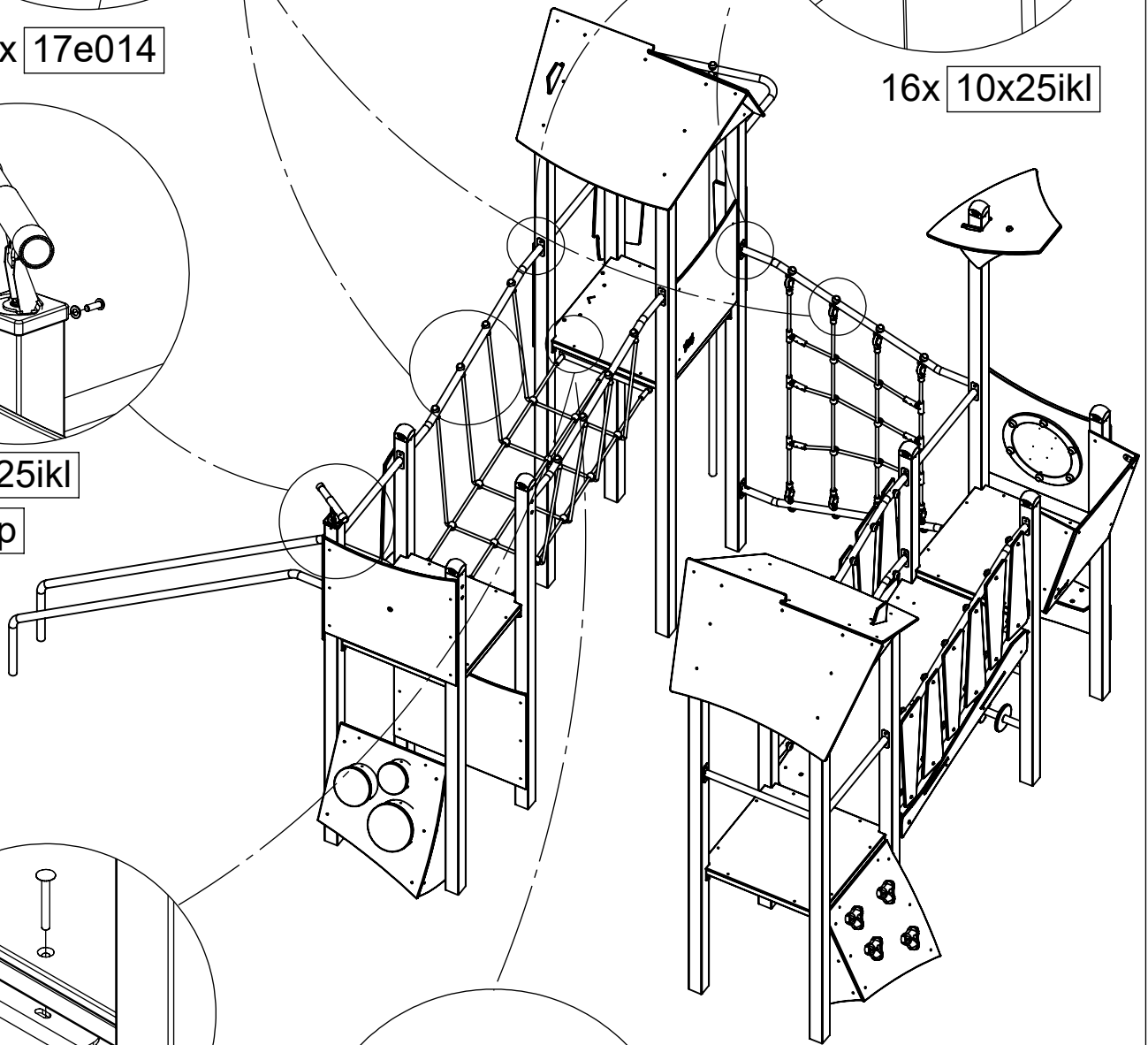


16x 10x25ikl

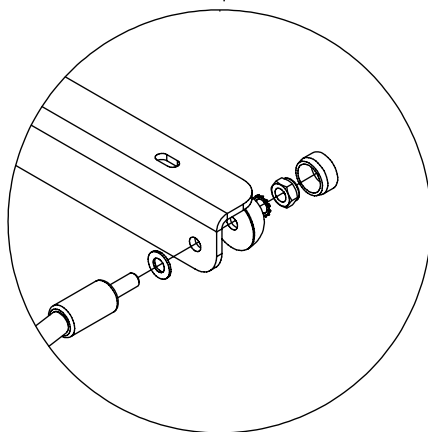


2x 8x25ikl

2x 8pp



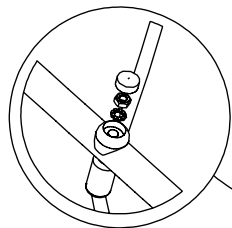
2x 17p037



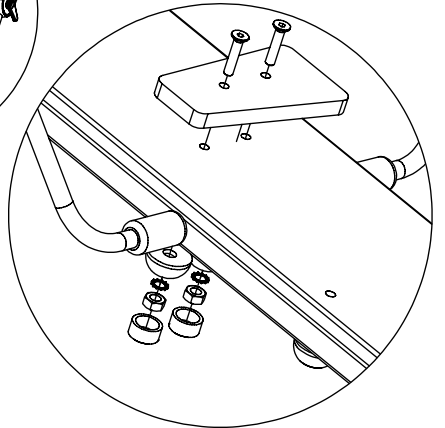
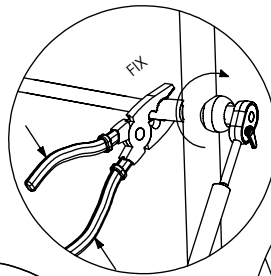
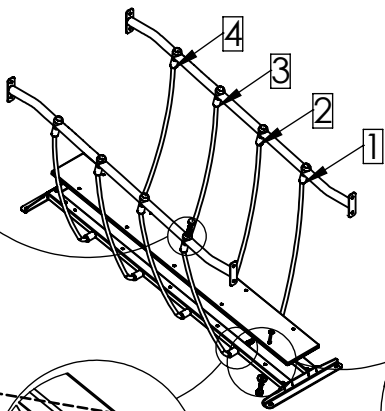
1x 17e031

[cm]

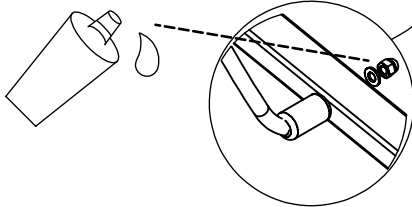
vinci
play



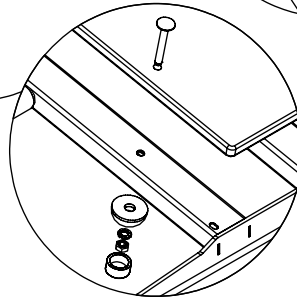
2x 17e014



1x 17p047

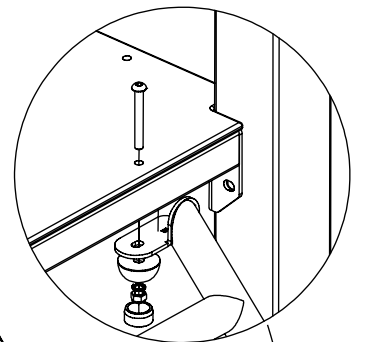


1x 17e036

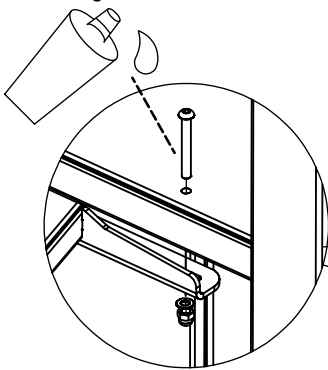


1x 17p045

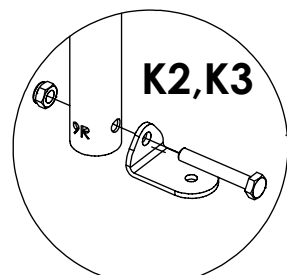
8x 10x25ikl



1x 17p021

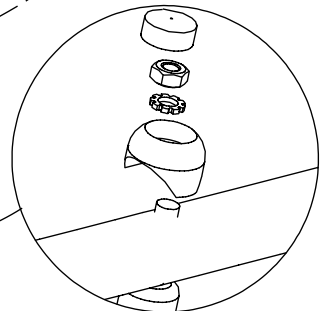


1x 17p023



K2,K3

1x 17e022

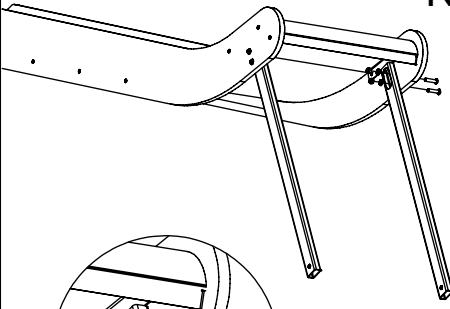


1x 17e014

[cm]

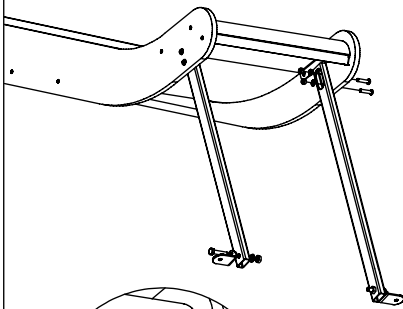
vinci play

K1



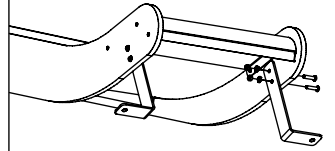
1x 17e034

K2



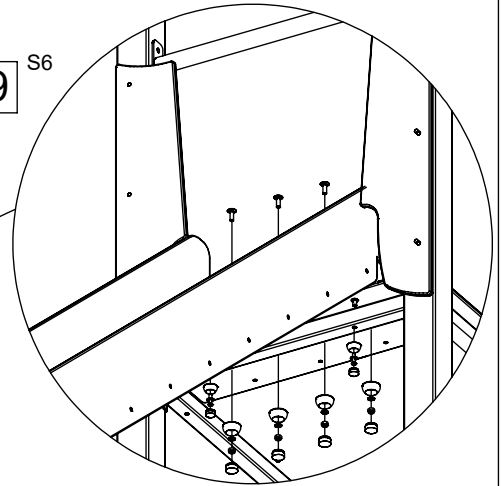
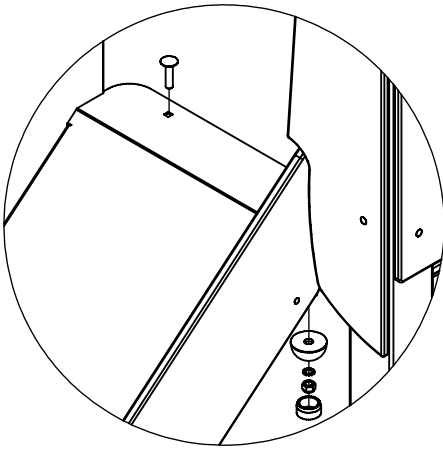
1x 17e035

K3

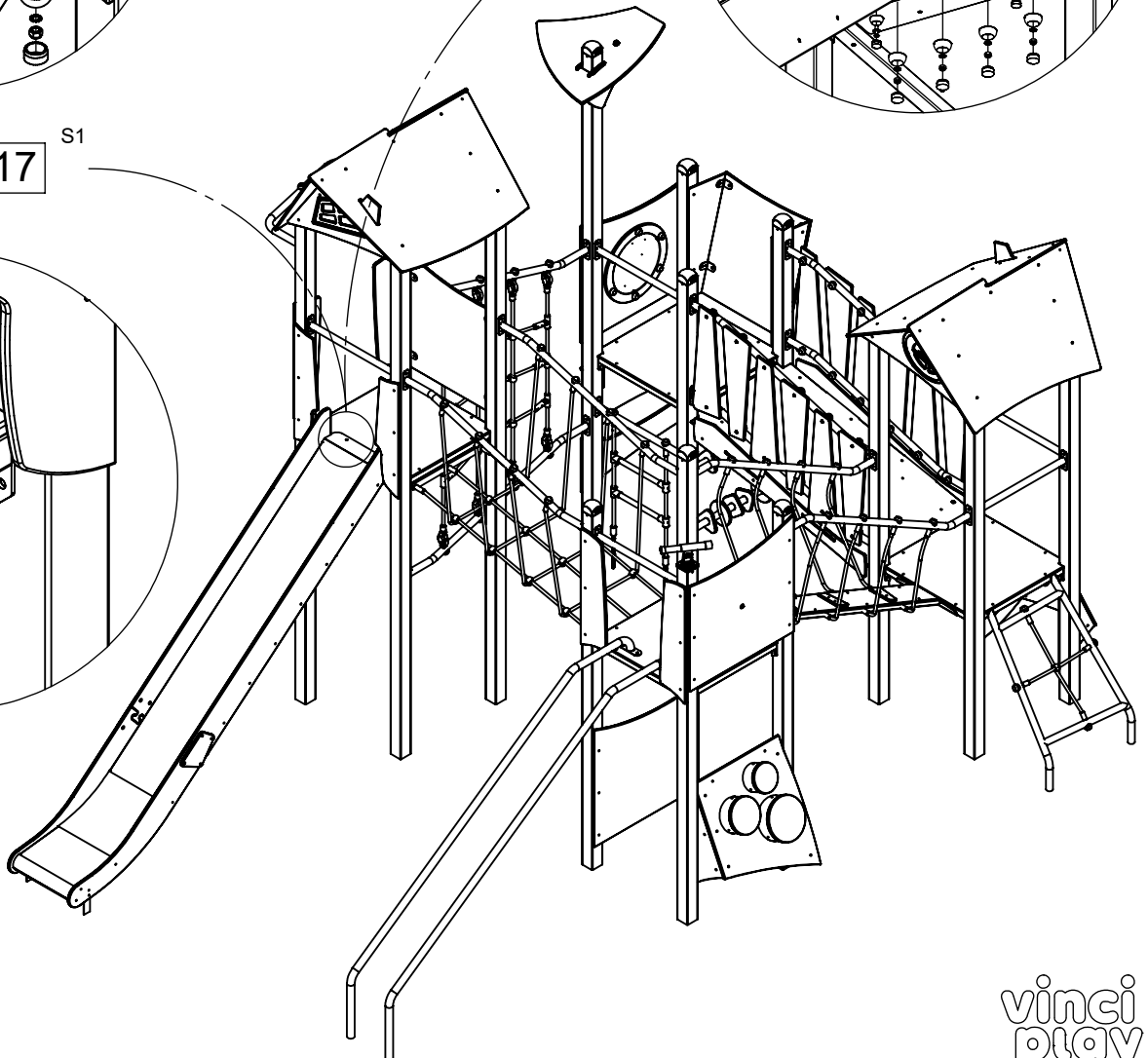
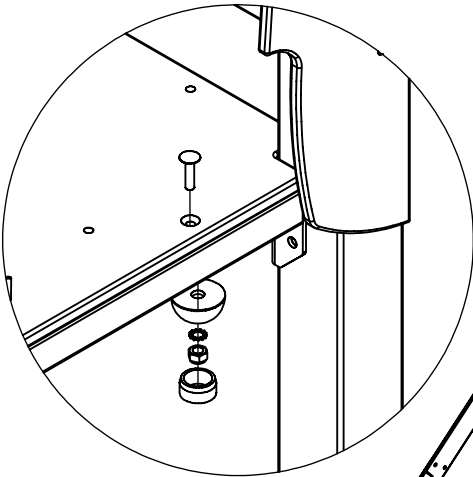


1x 17e034

1x 17p019 ^{S6}



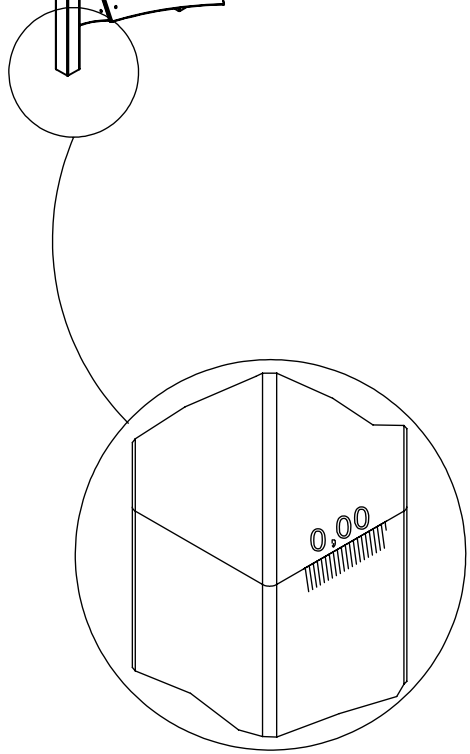
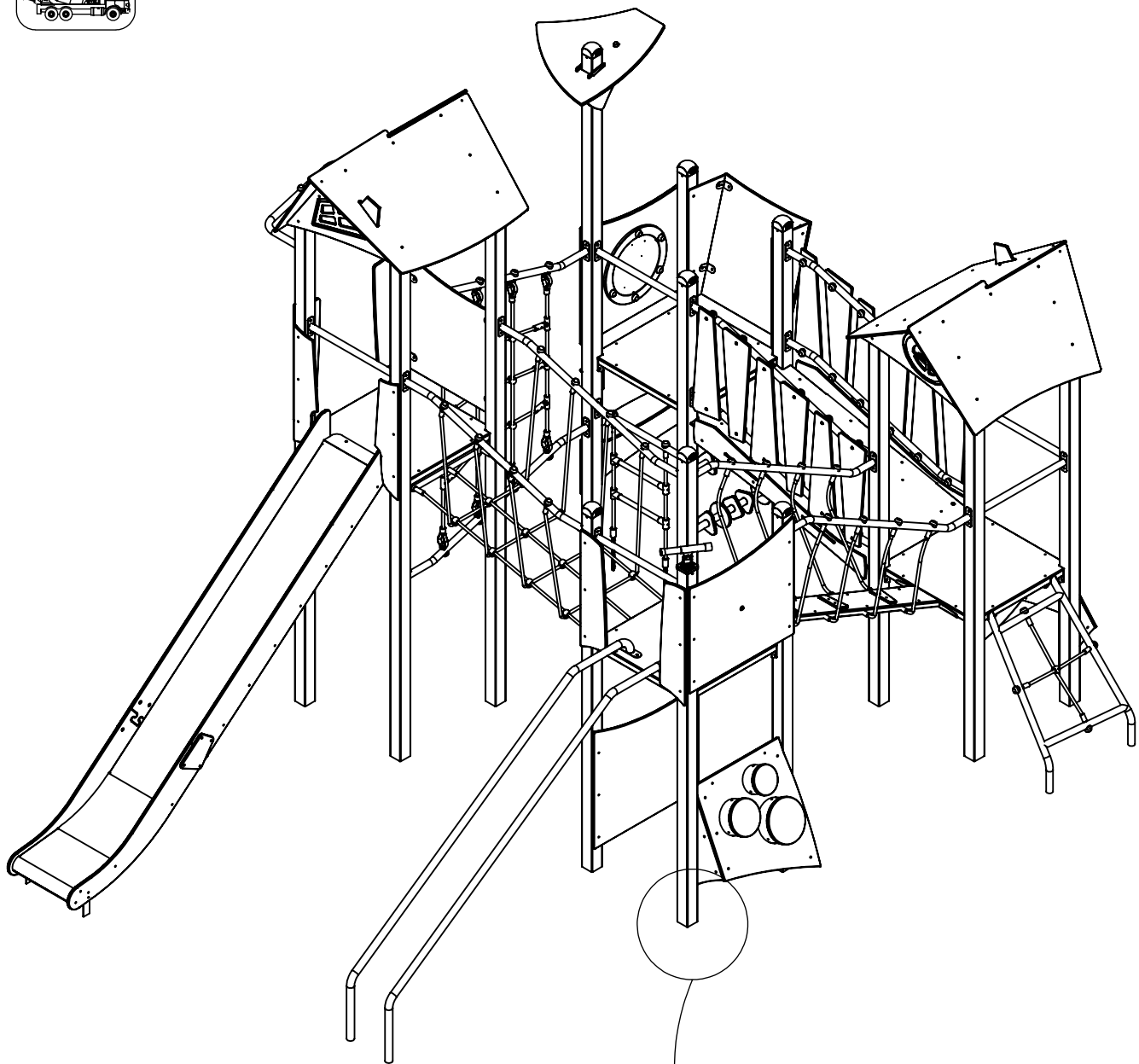
1x 17p017 ^{S1}



[cm]

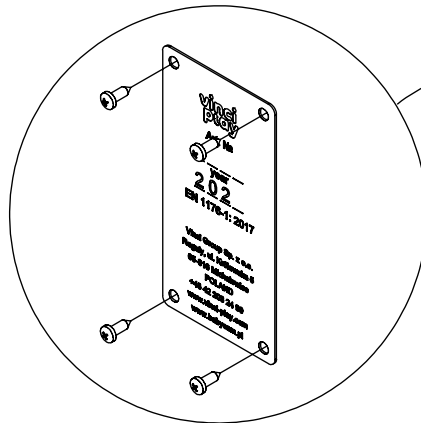
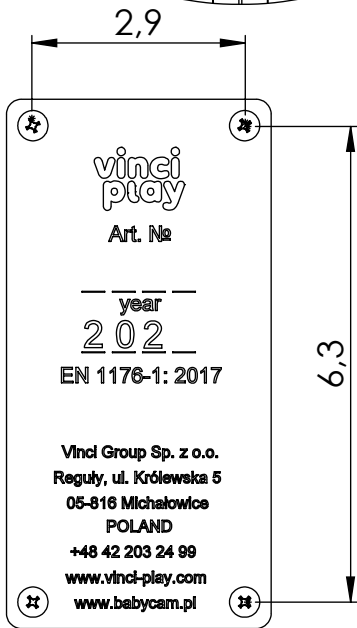
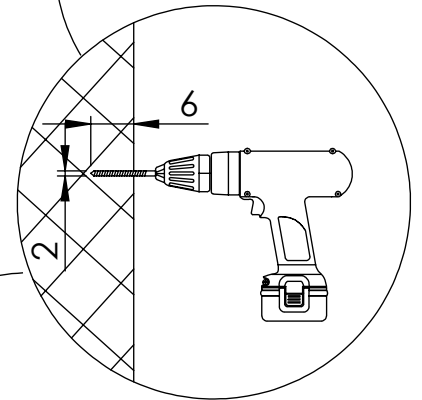
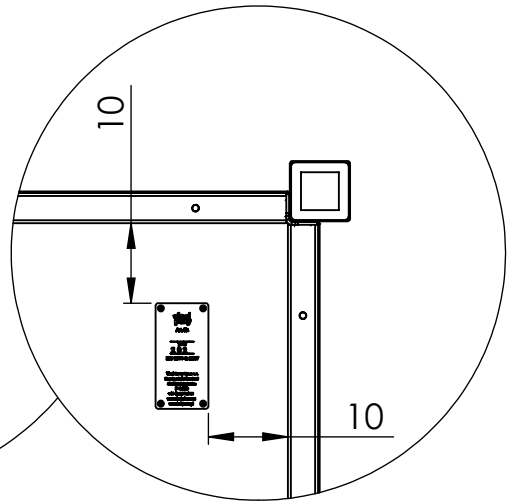
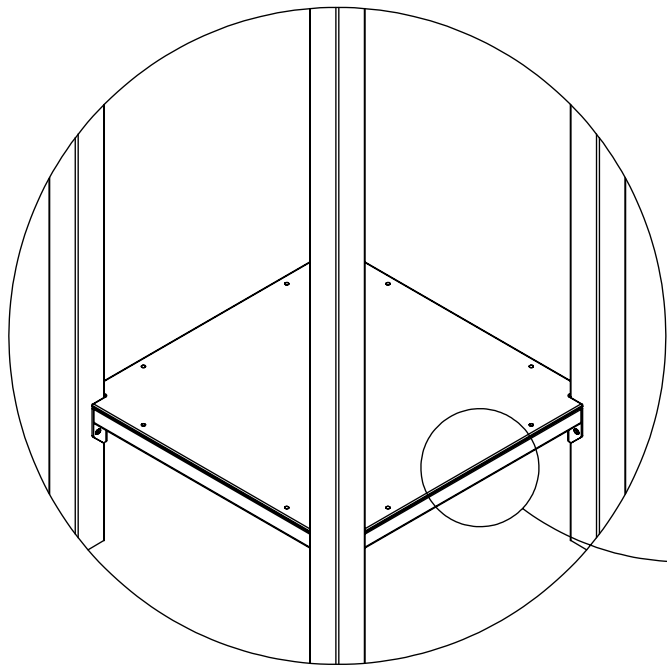
vinci
play

48h



[cm]

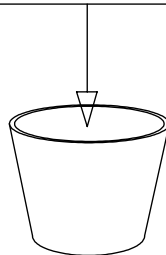
vinci
play



V001

Part No:
000000-
00000

000000-00000



[cm]

vinci
play