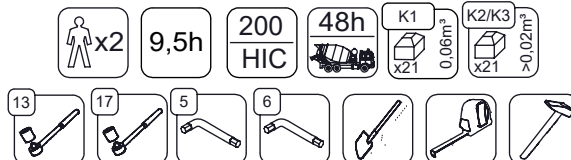
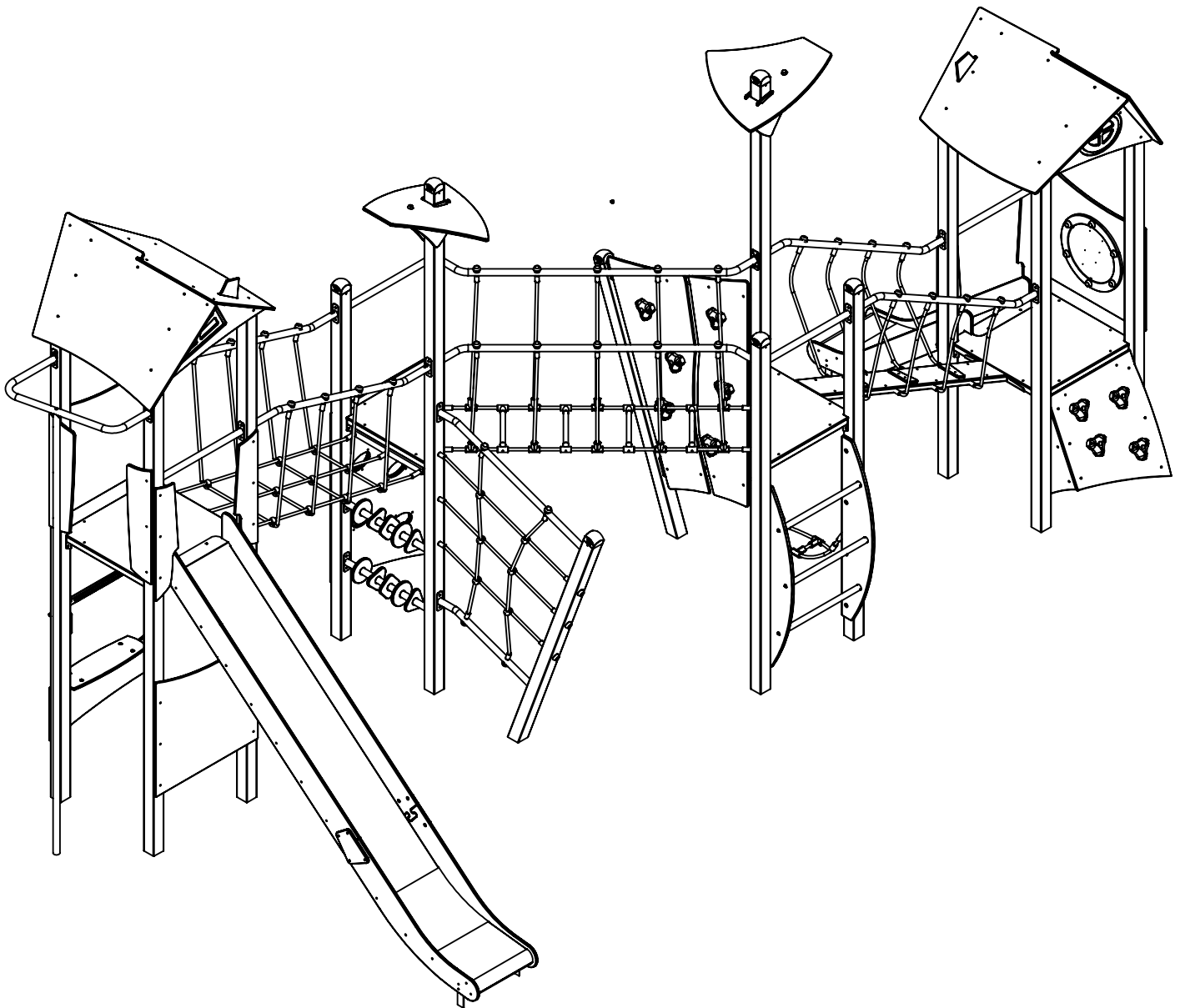


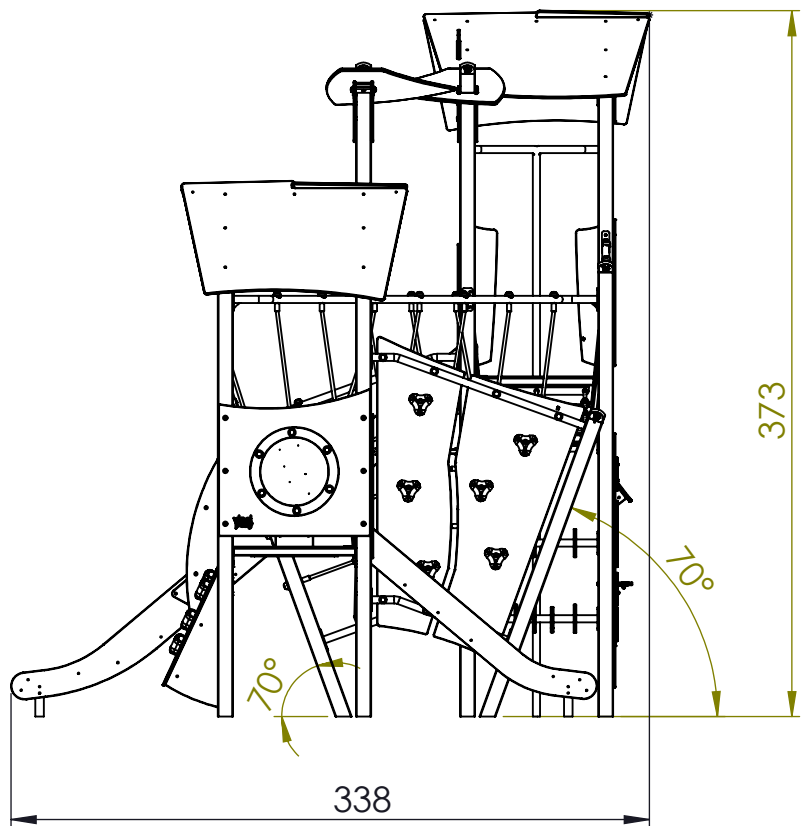
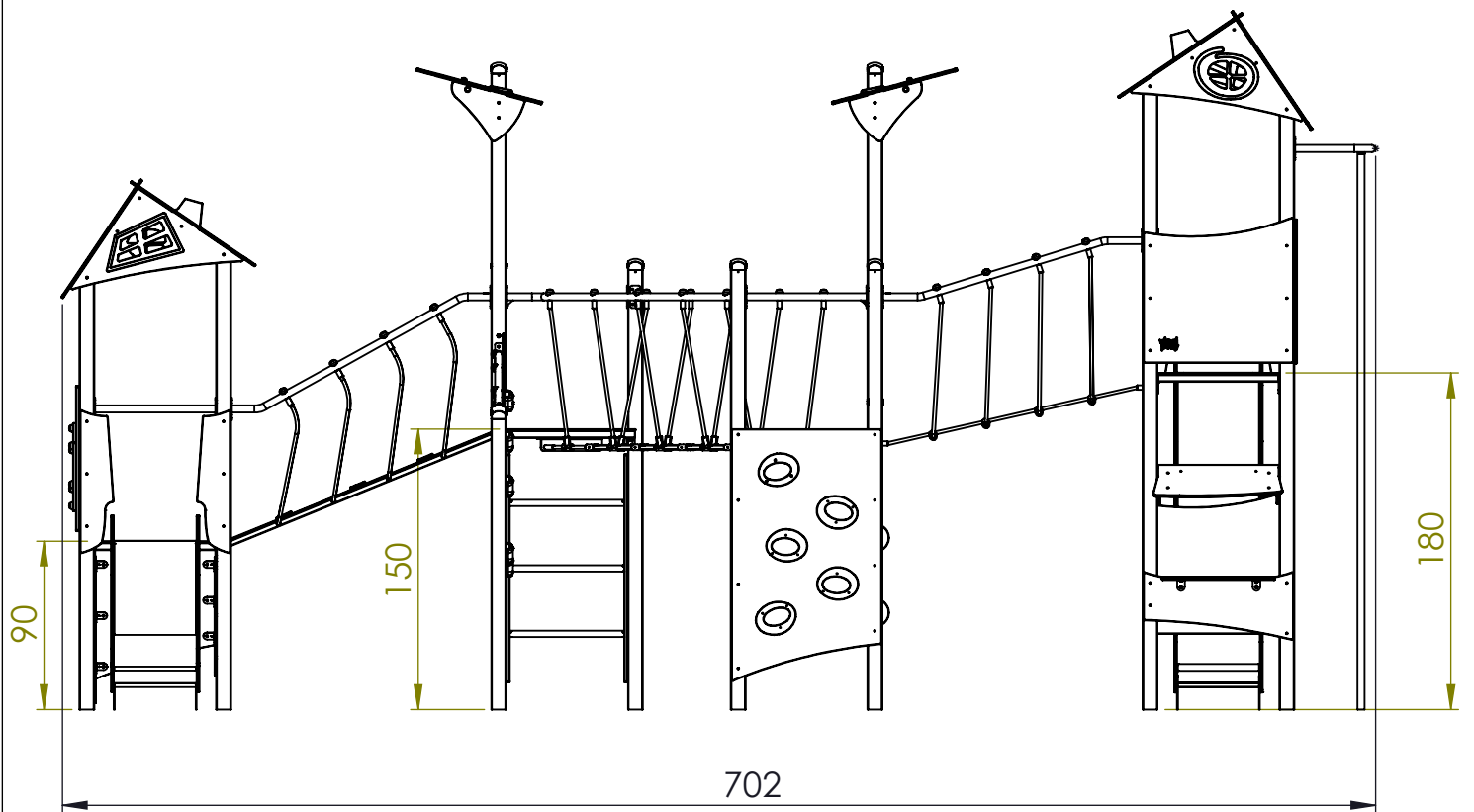
# 1711



[cm]

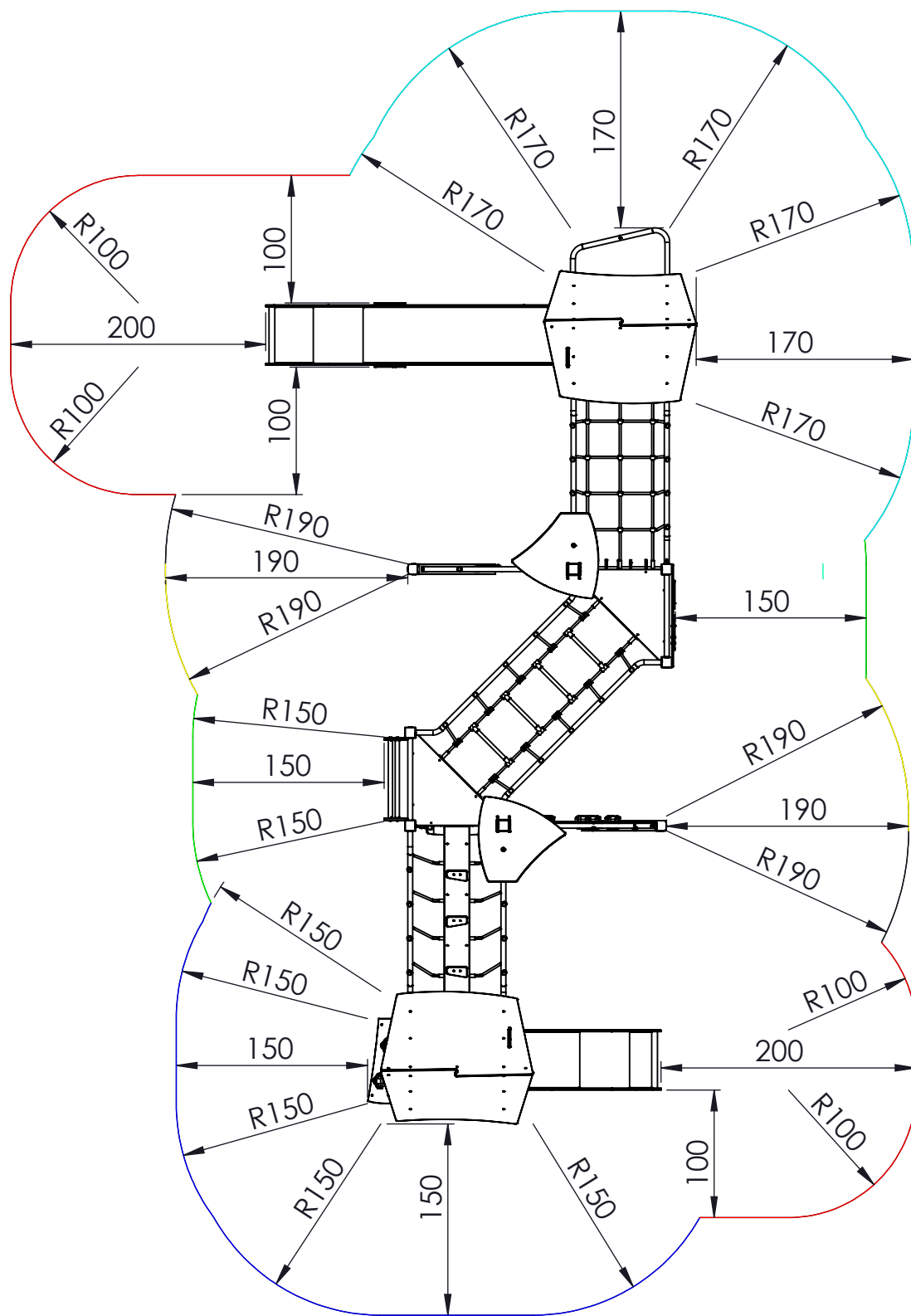
v014 / 23.09.2021  
D.P.

vinci  
play



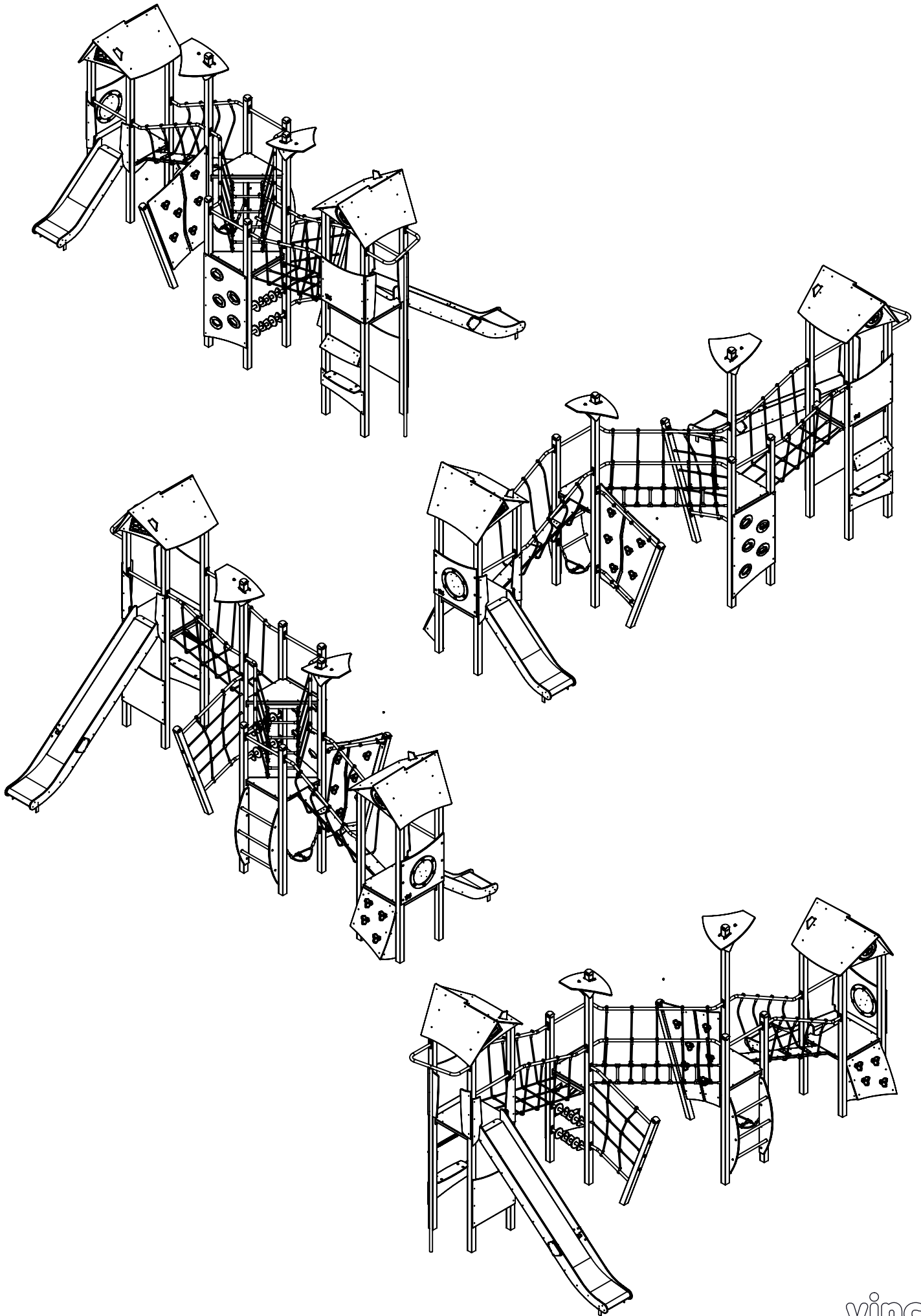
[cm]

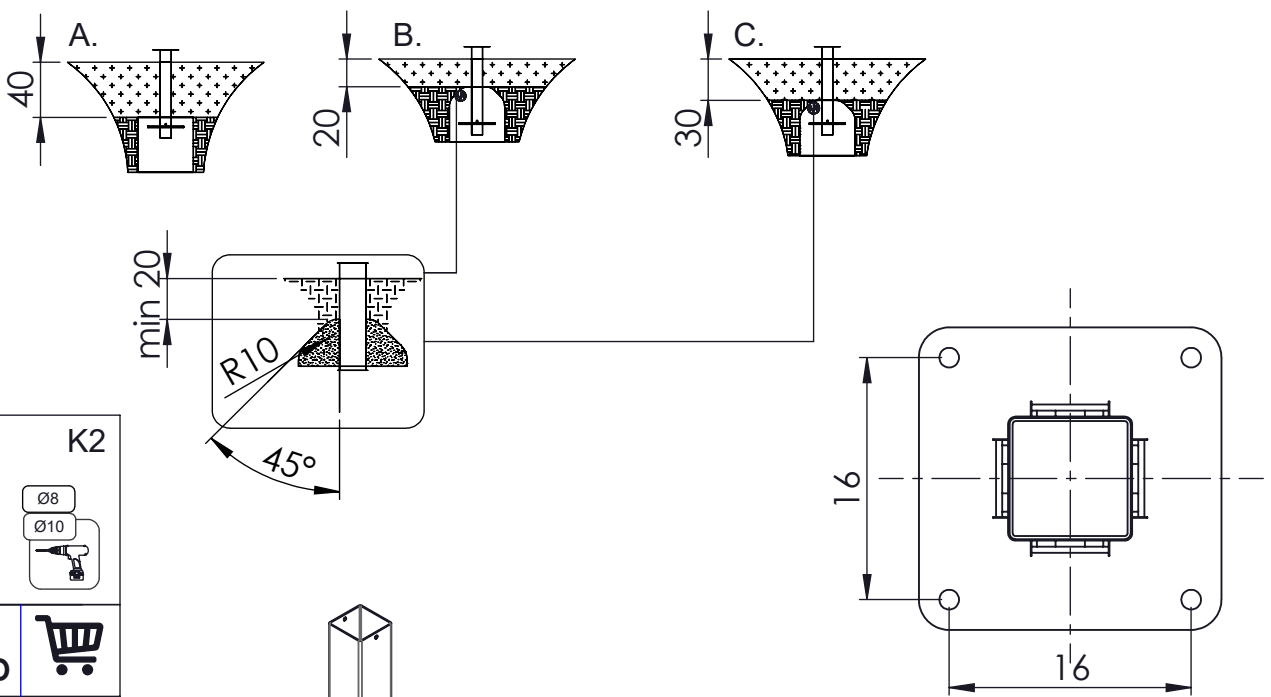
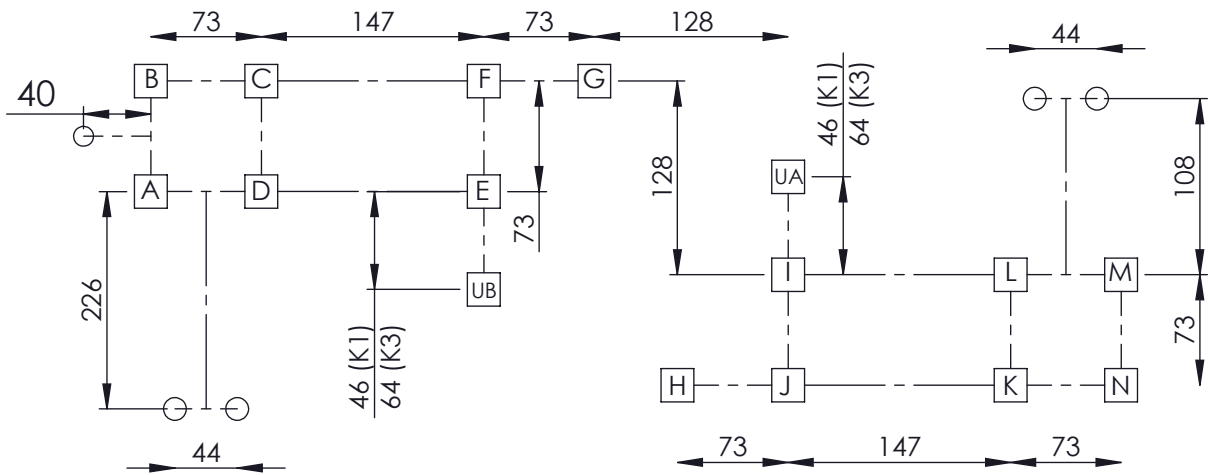
vinci  
play



[cm]

vinci  
play





**K2**

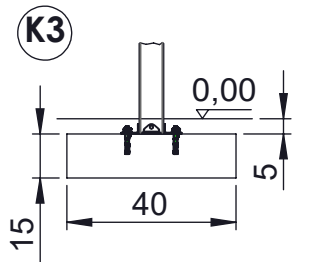
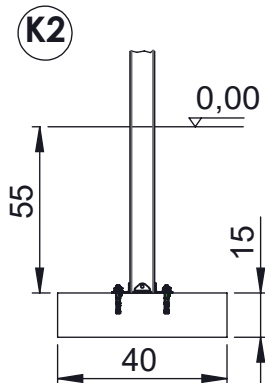
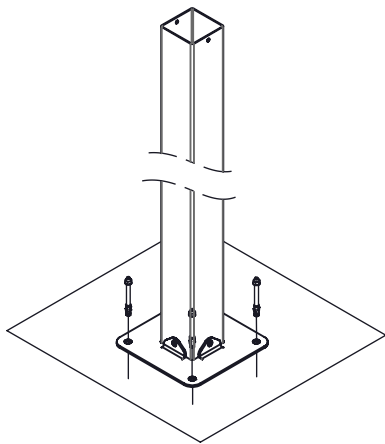
M8x120 x4  
M10x120 x56

**NOT INCLUDED**

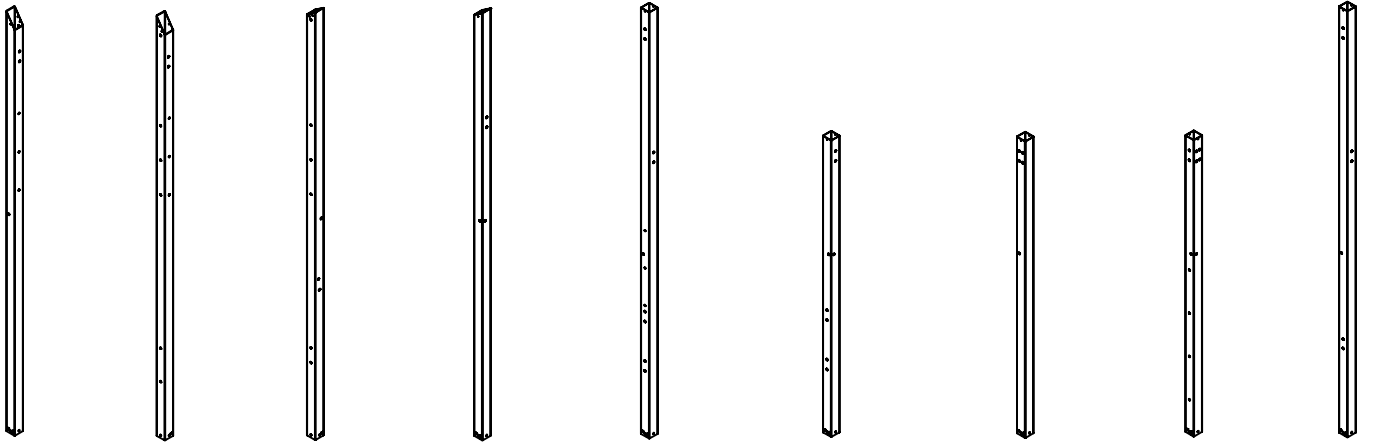
**K3**

M10x120 x60

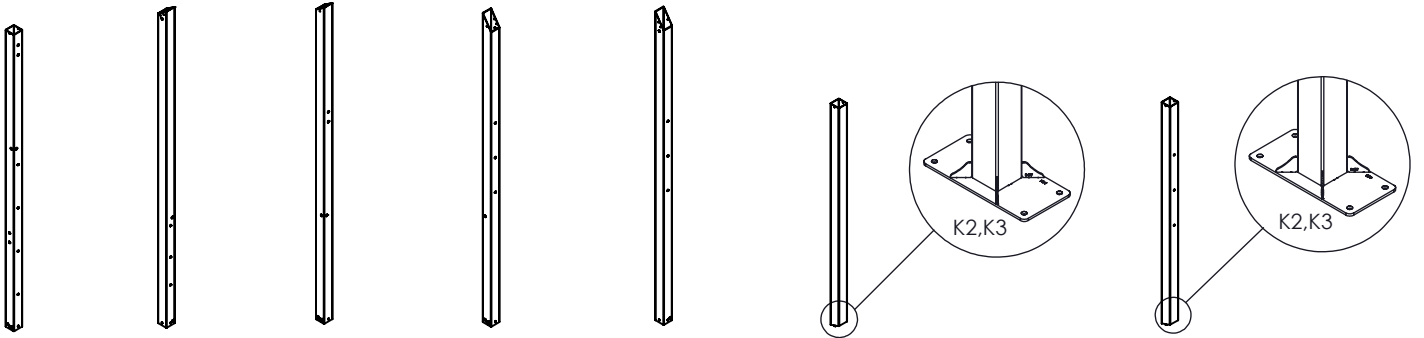
**NOT INCLUDED**



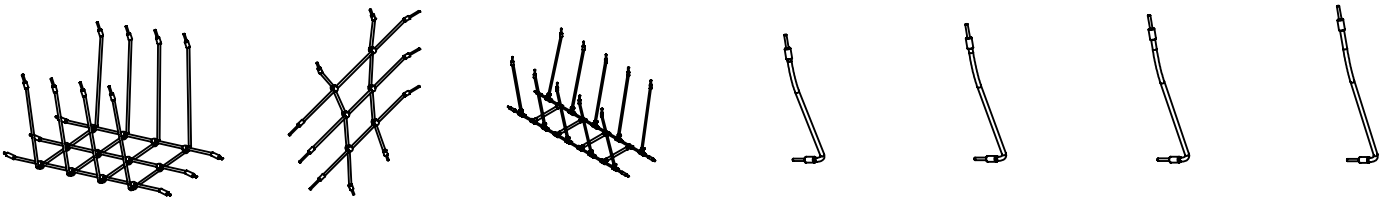
[cm]



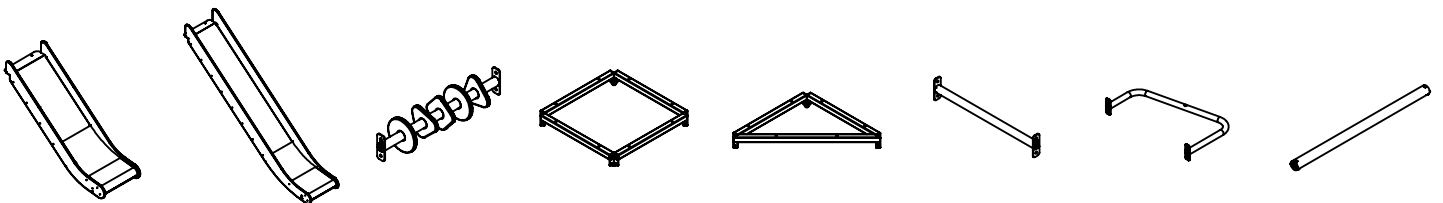
1711A x1    1711B x1    1711C x1    1711D x1    1711E x1    1711F x1    1711G x1    1711H x1    1711I x1



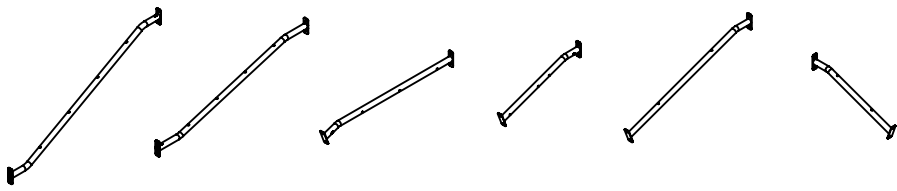
1711J x1    1711K x1    1711L x1    1711M x1    1711N x1    17UA x1    17UB x1



145141 x1    175100 x1    175101 x1    145130 x2    145131 x2    145132 x2    145133 x2

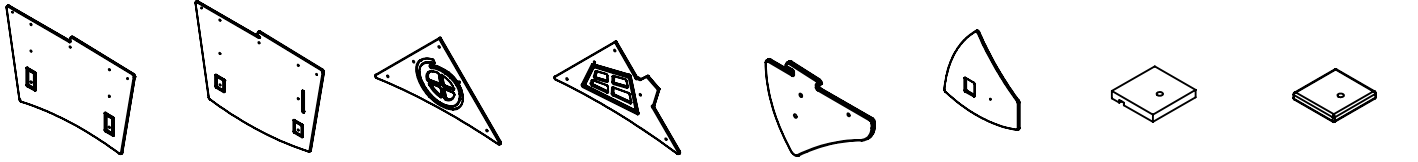


994103 x1    994105 x1    144126 x2    172100 x2    172101 x2    142117 x4    142131 x1    172117 x3

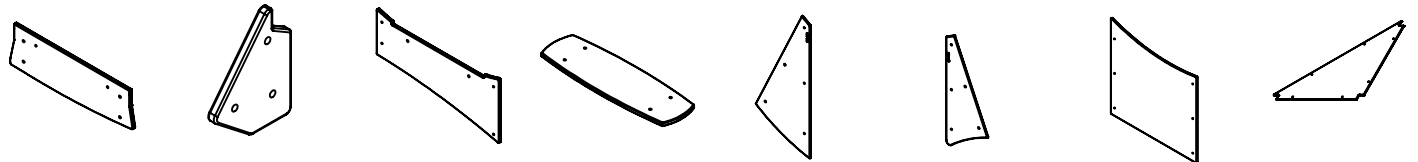


142132 x2    142138 x2    172102 x1    172103 x1    172104 x1    172105 x1

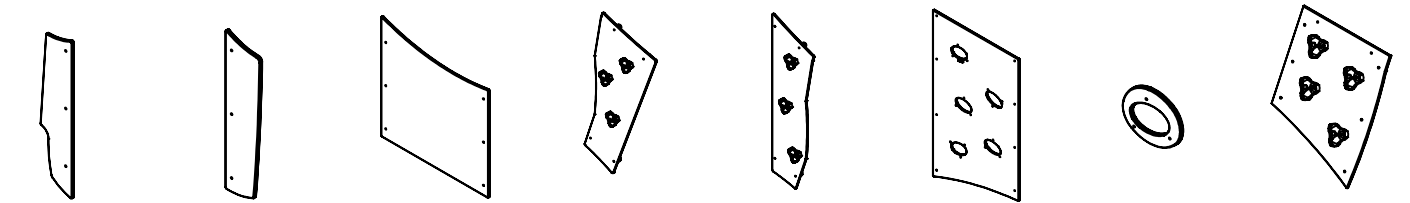
S1  171122 x2	S6  171234 x2	 171233 x2
------------------------	------------------------	------------------



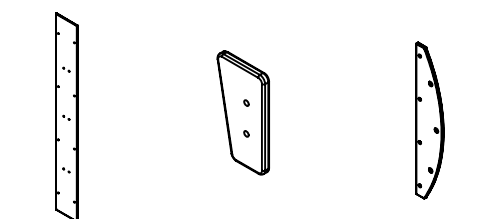
171100 x2    171101 x2    171102 x2    171103 x2    171115 x4    171113 x2    021146 x4    021149 x2



171105 x1    171106 x2    171107 x1    171108 x1    171117 x1    171118 x1    171138 x1    171141 x2



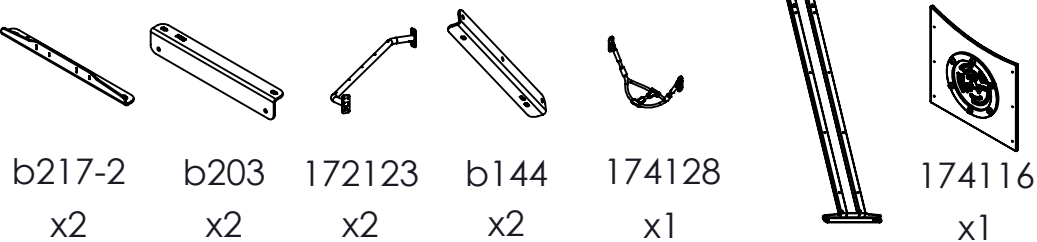
171112 x4    171164 x2    171114 x1    171207 x1    171208 x1    171151 x1    171152 x5    171140 x1



141107 x1    141145 x3    171192 x2

<b>K2, K3</b>  b231 x14	<b>K1, K2</b>  P78-3 x4	<b>K3</b>  b219-2 x4
----------------------------------	----------------------------------	-------------------------------

<b>K1, K2</b>  992124 x1	<b>K3</b>  992125 x1
-----------------------------------	-------------------------------



b217-2 x2    b203 x2    172123 x2    b144 x2    174128 x1    142120 x1    174116 x1

Qty.	ST/INOX
56	10 pp**
56	10 nh**
56	10x20 m**
108	10x25 ikl
24	10x30 ikl
32	10 pp
38	8x25 ikl
24	8x30 ikl
10	10x40 ikl
2	17e034***
2	17e035*
1	17e038**
1	17e004
2	17e012
4	17e014
1	17e020
1	17e024
1	17e031
1	17e036
1	17e039
1	17e050
1	V001

Qty.	HDPE
1	17c014
1	17c016
1	17c018
2	17c020
2	17c032

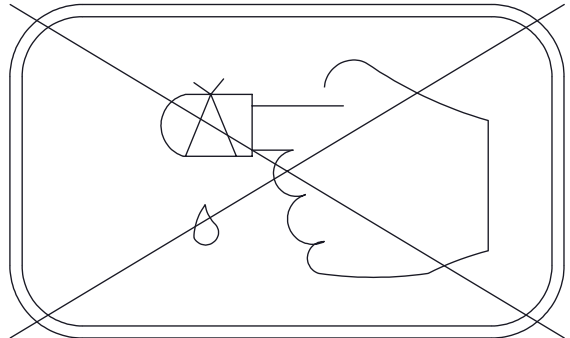
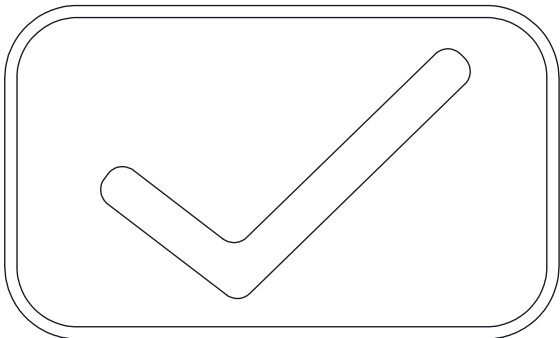
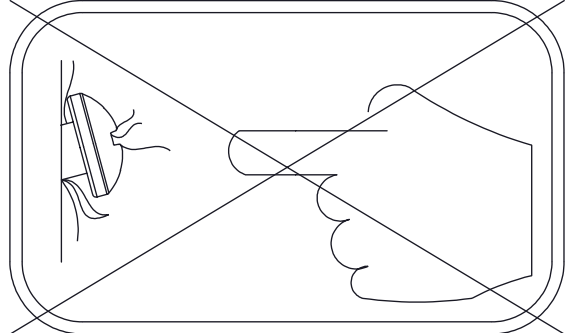
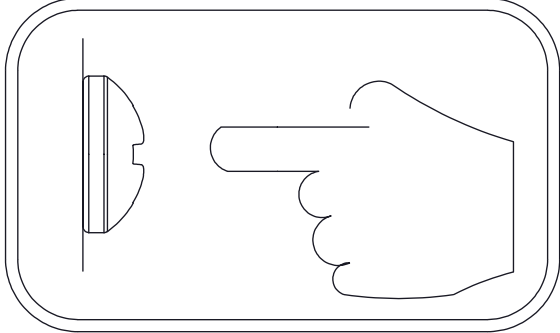
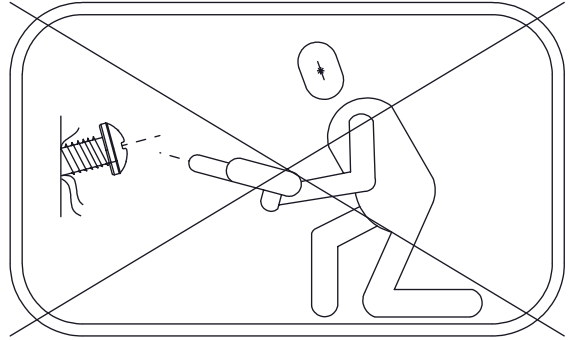
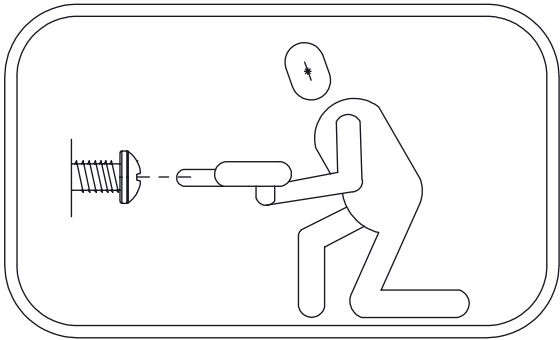
Qty.	HPL
3	17p001
1	17p003
1	17p011
1	17p015
2	17p017(s1)
2	17p019(s6)
1	17p021
2	17p023
2	17p037
5	17p039
1	17p045
1	17p047
1	17p051
2	17p061(s6)

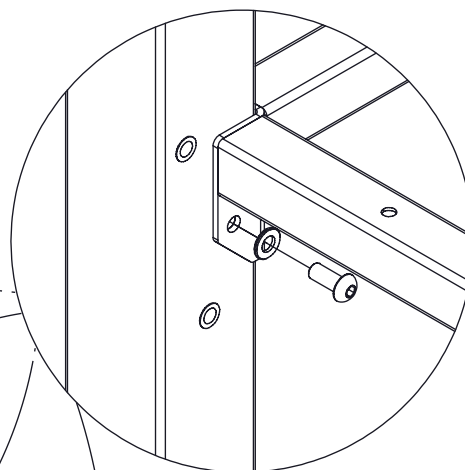
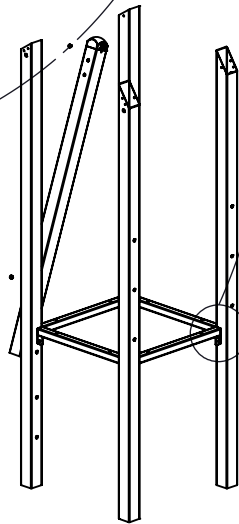
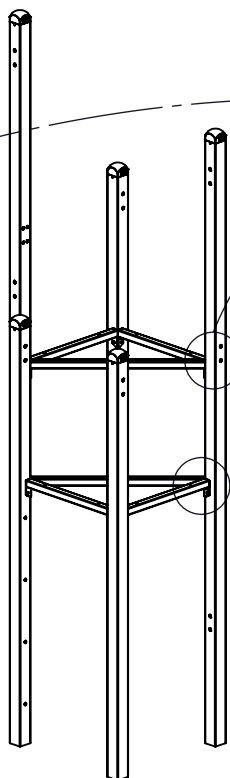
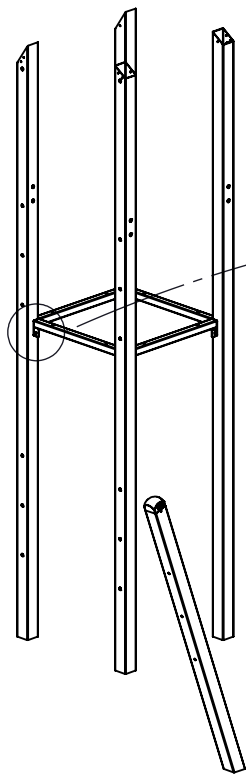
\*K2

\*\*K2, K3

\*\*\*K1, K3



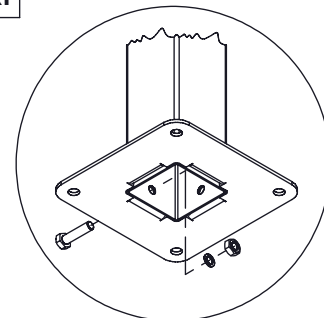




28x 10x25ikl

28x 10pp

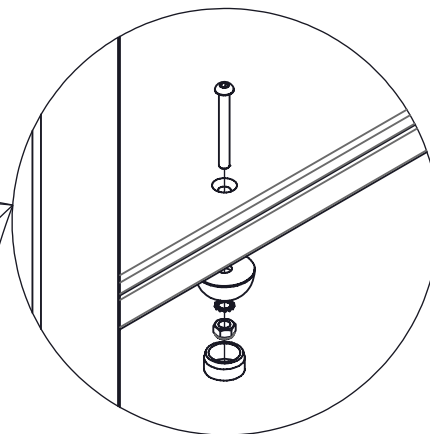
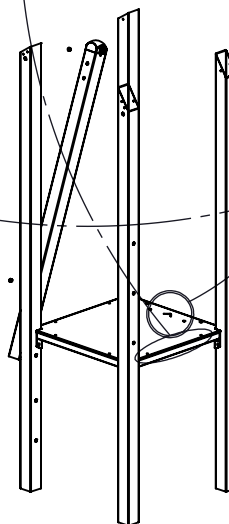
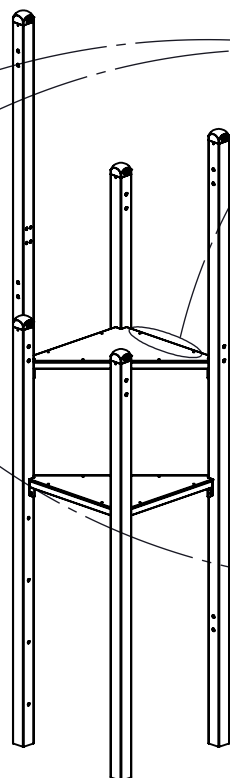
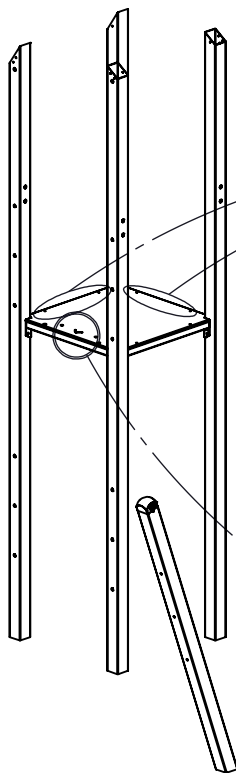
K2, K3



56x 10x20m

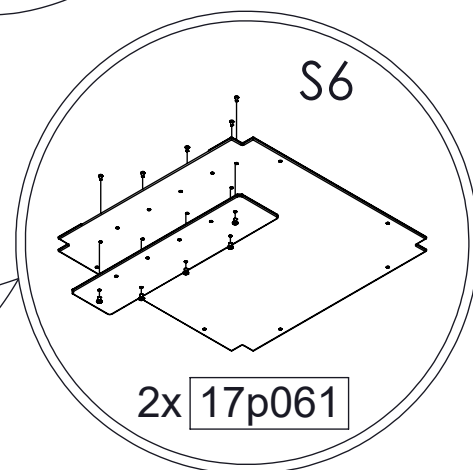
56x 10pp

56x 10nh



3x 17p001

1x 17p003

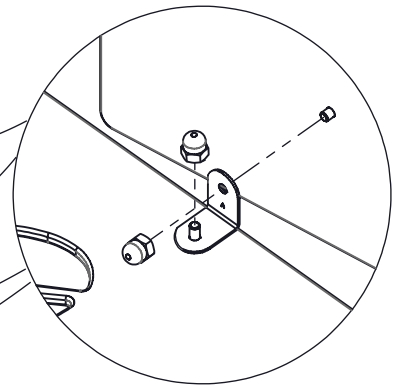
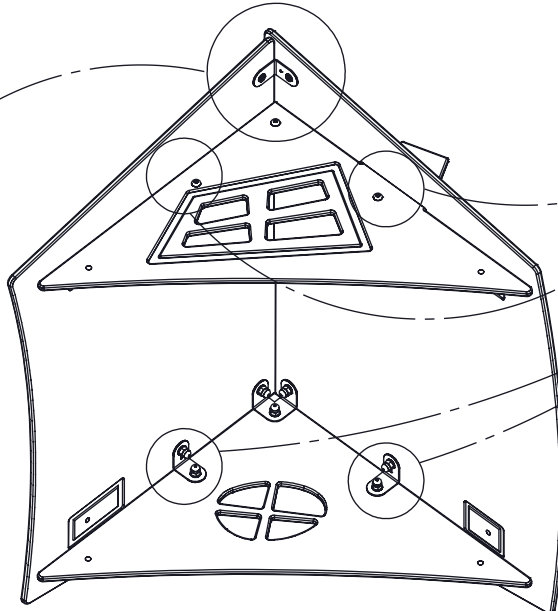
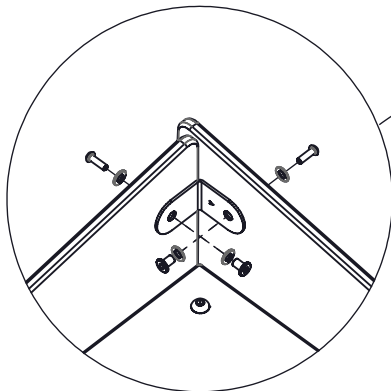
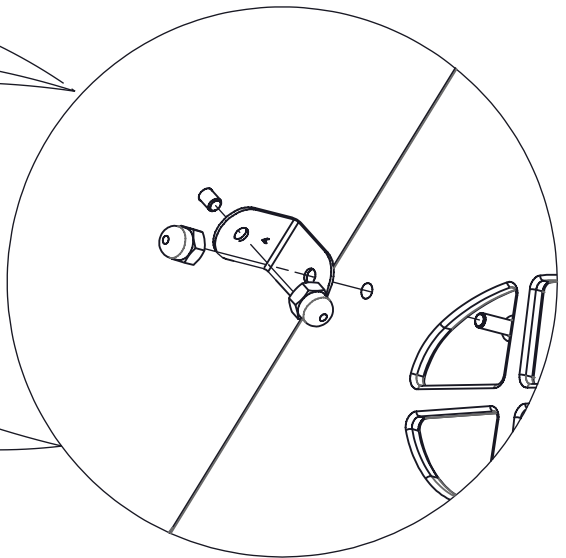
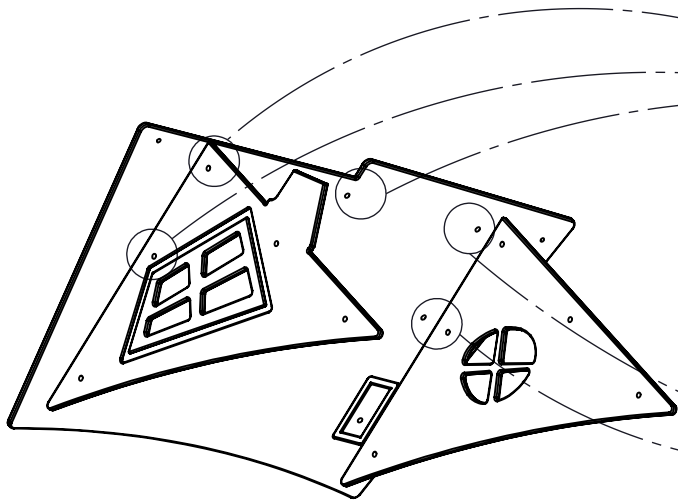
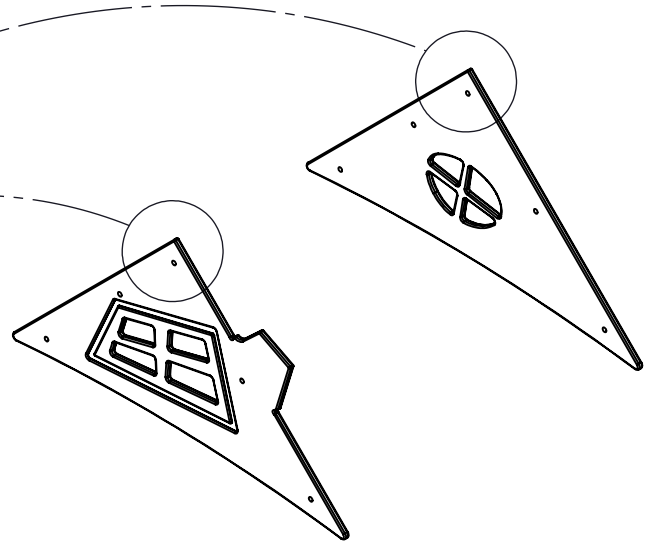
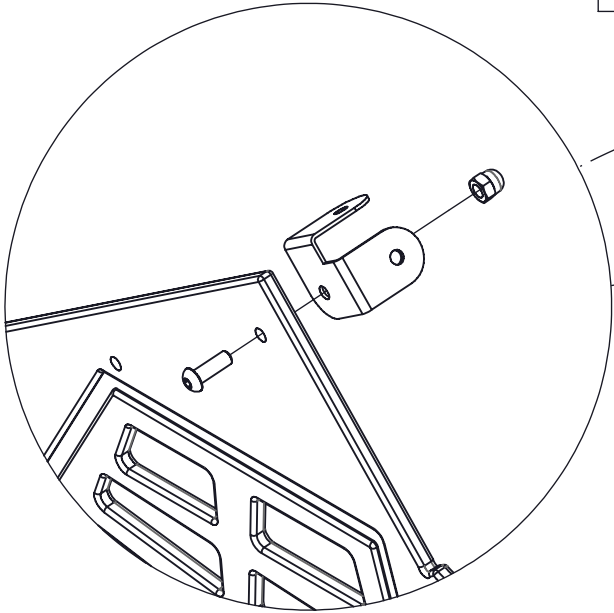


2x 17p061

[cm]

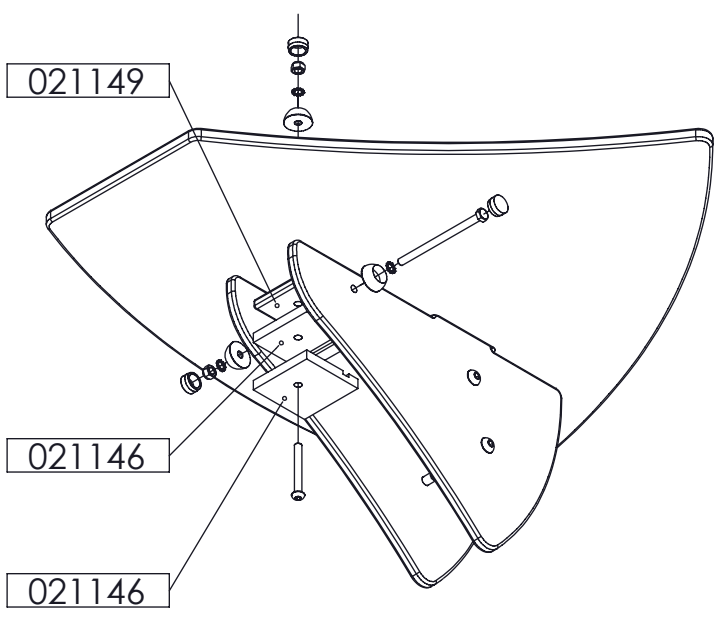
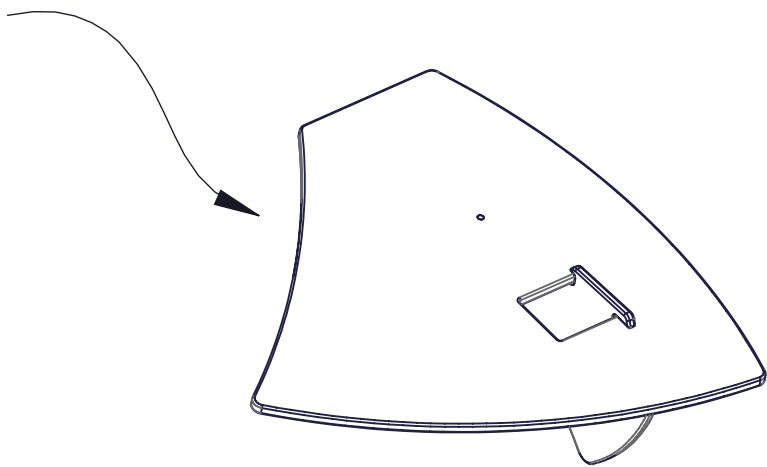
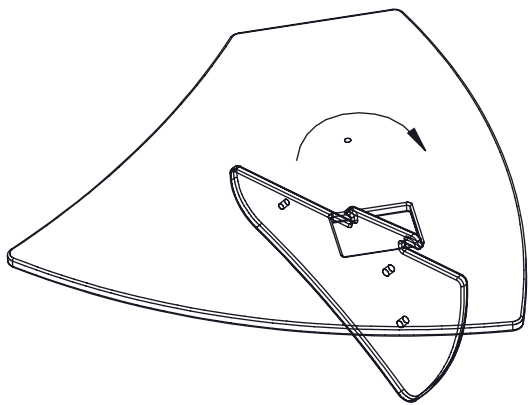
vinci play

1x 17c020

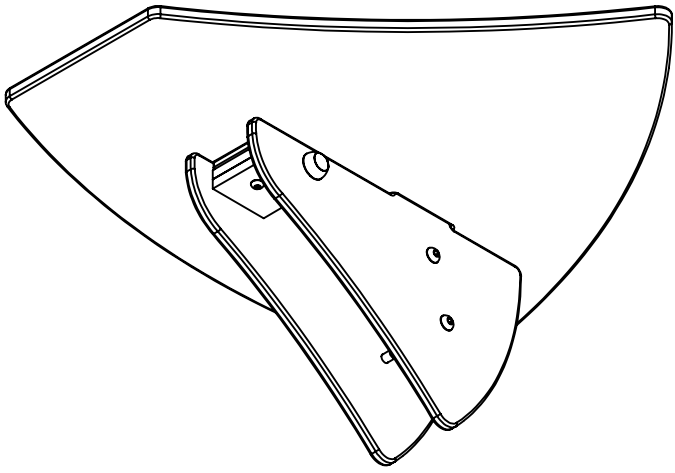


[cm]

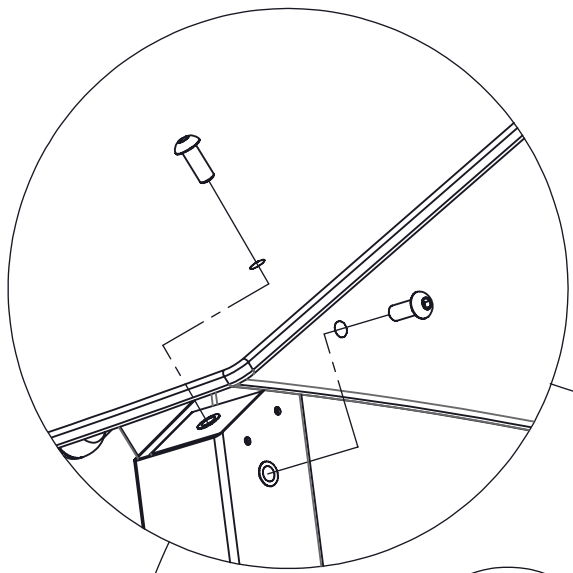
vinci  
play



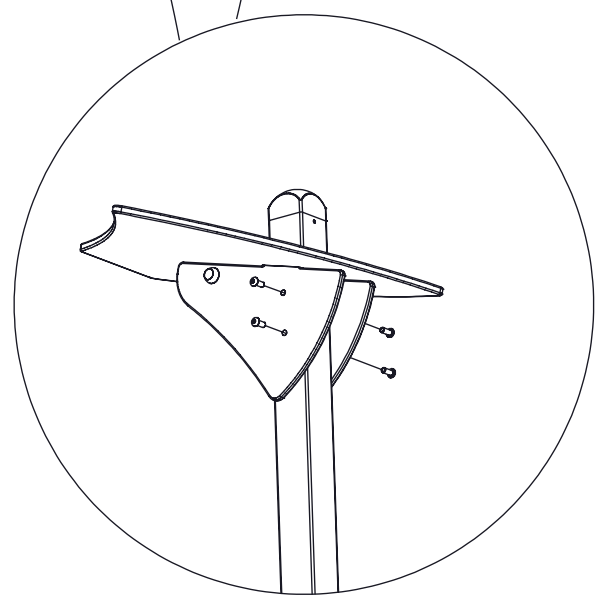
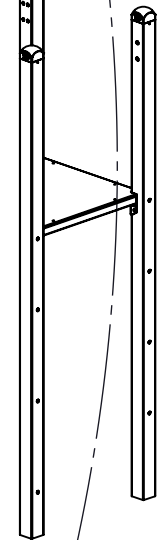
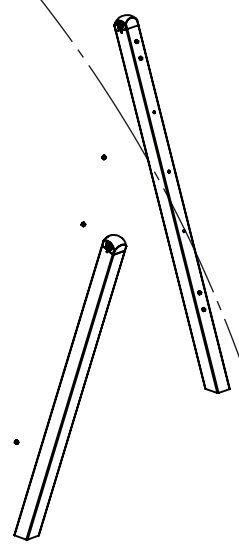
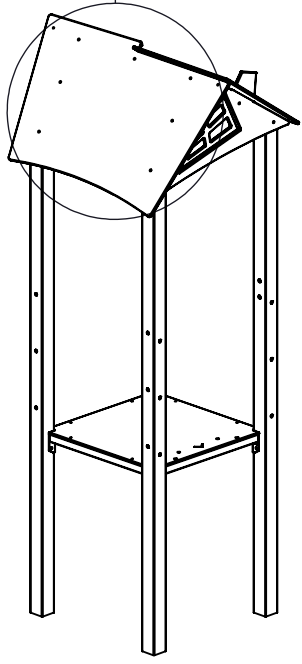
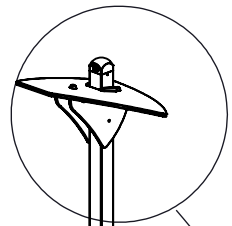
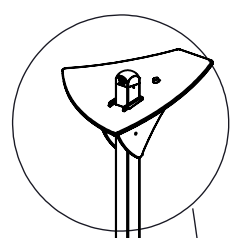
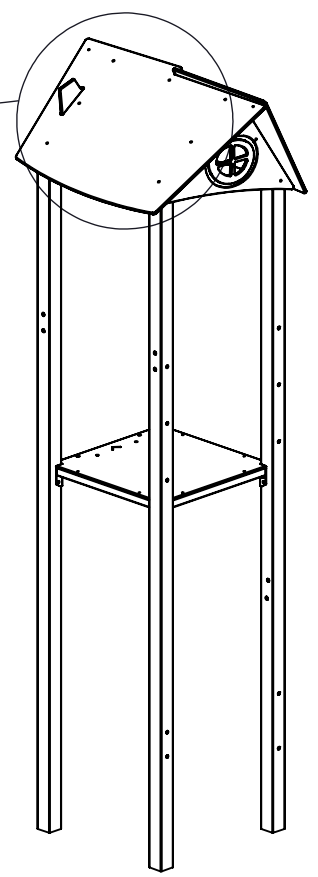
2x 17c032



[cm]



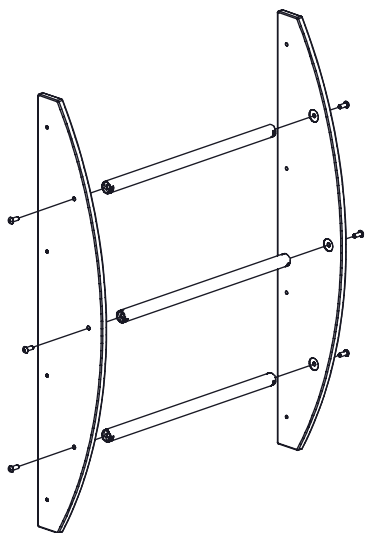
16x 10x30ikl



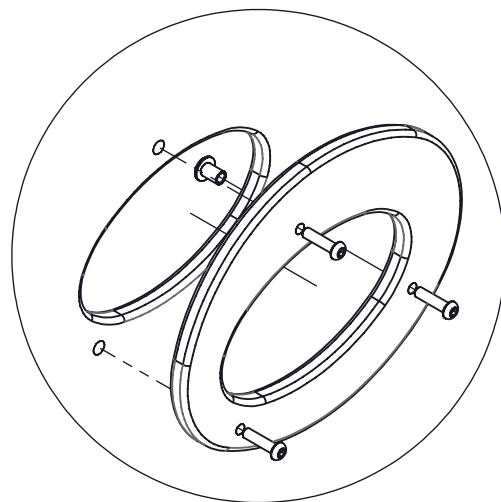
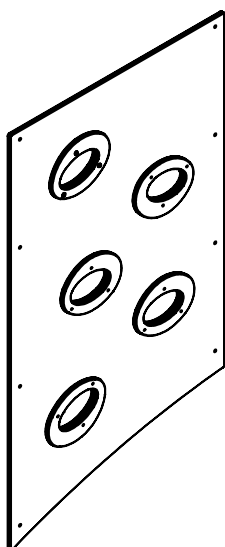
8x 10x30ikl

[cm]

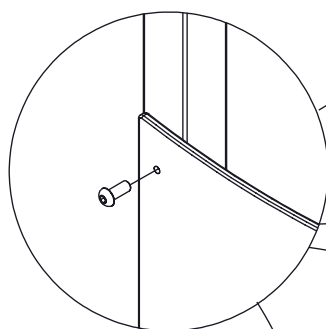
vinci  
play



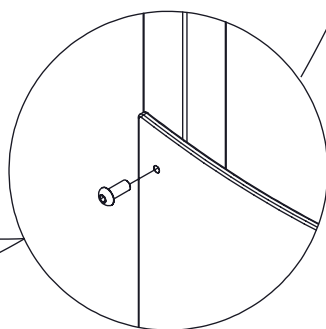
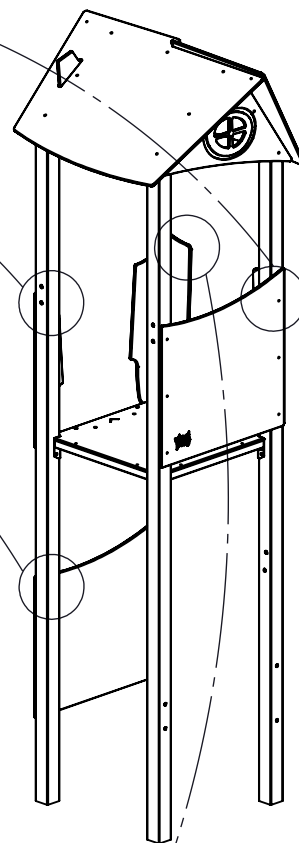
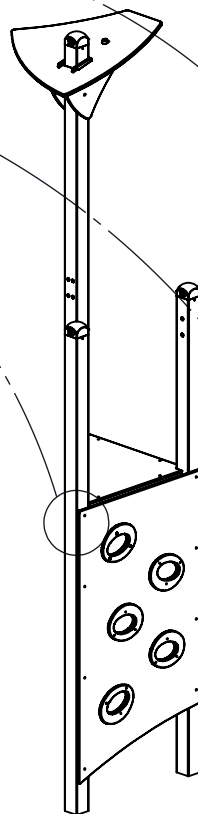
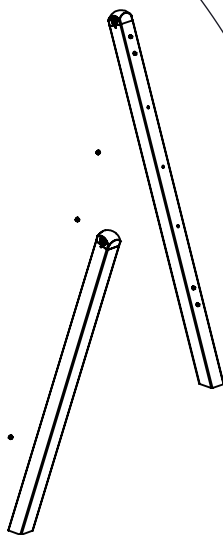
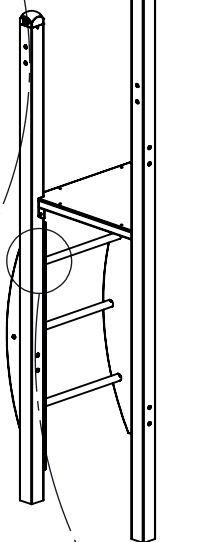
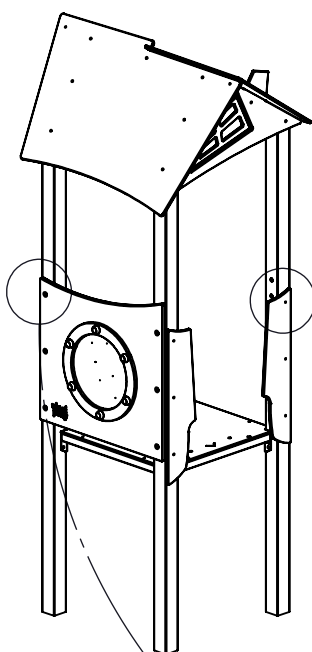
6x 10x40ikl



5x 17p039



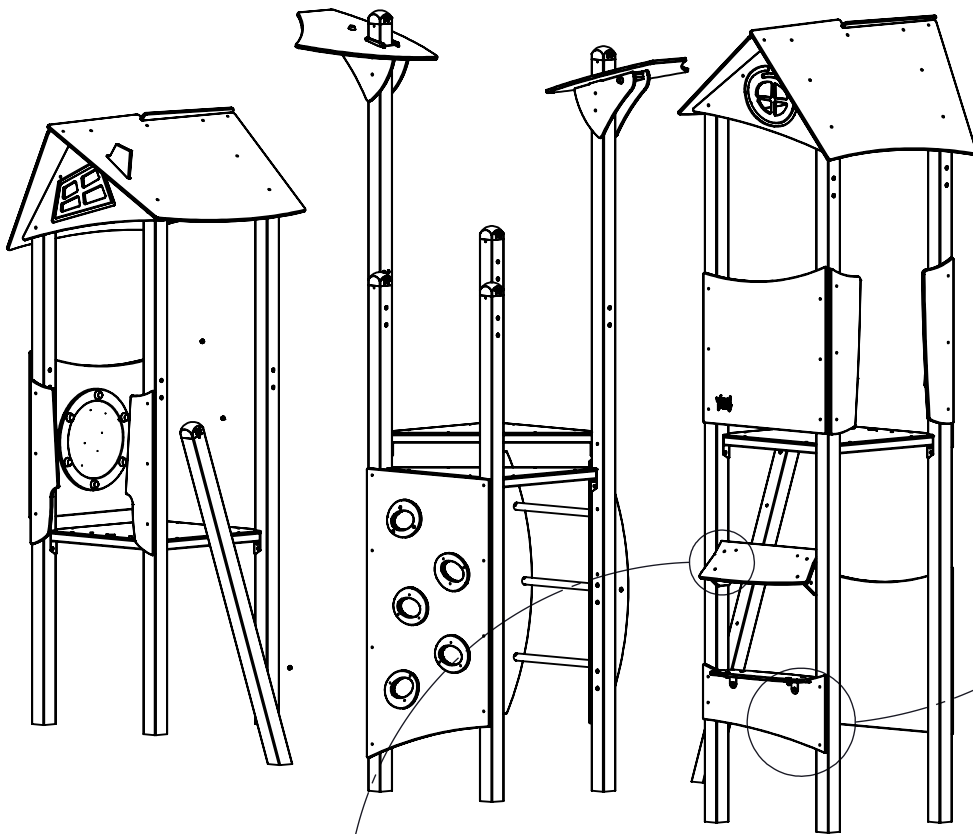
32x 8x25ikl



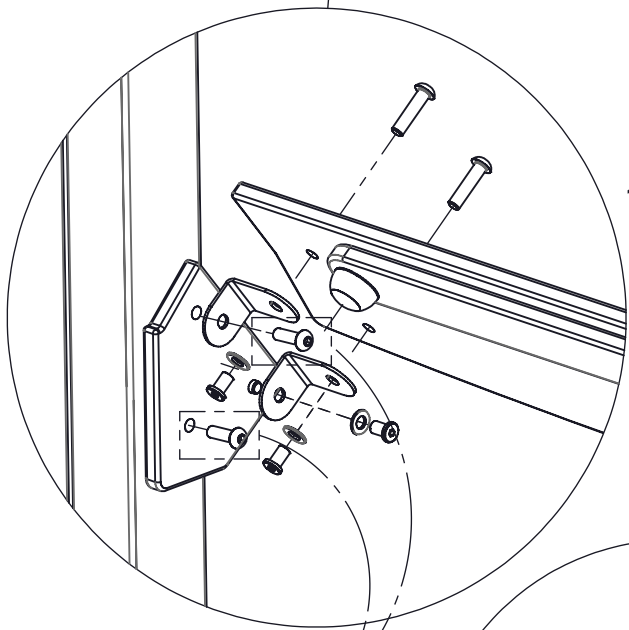
20x 8x30ikl

[cm]

vinci  
play

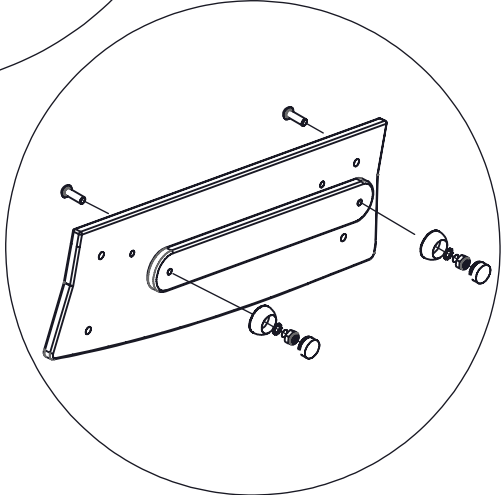


4x 8x30ikl

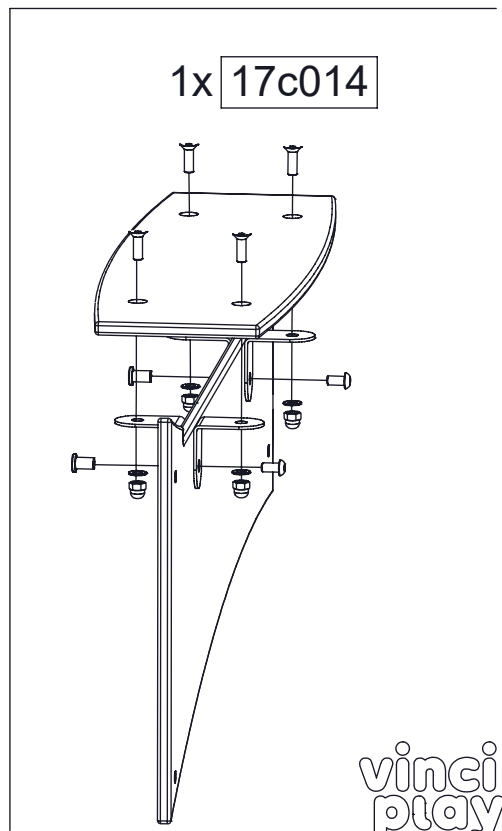


1x 17c016

4x 10x40ikl



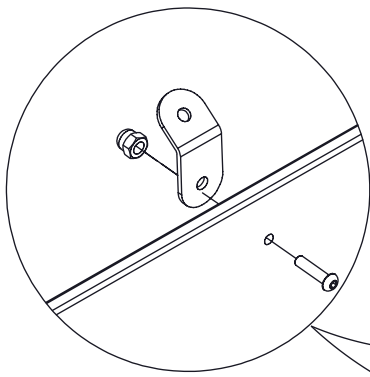
1x 17c018



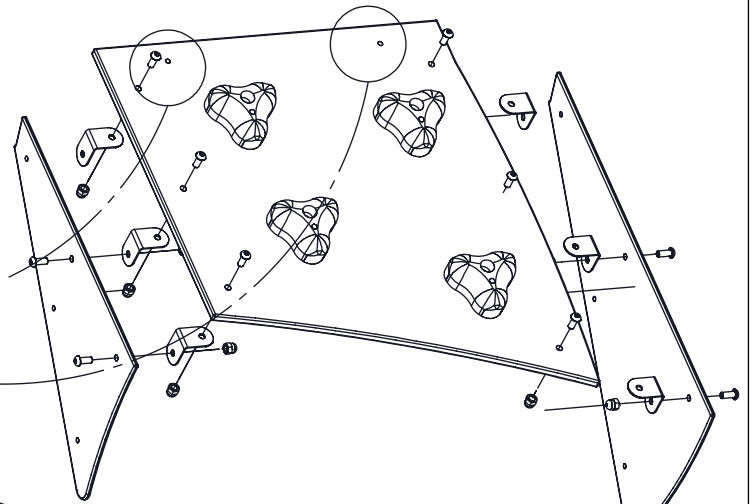
1x 17c014

[cm]

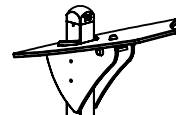
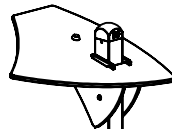
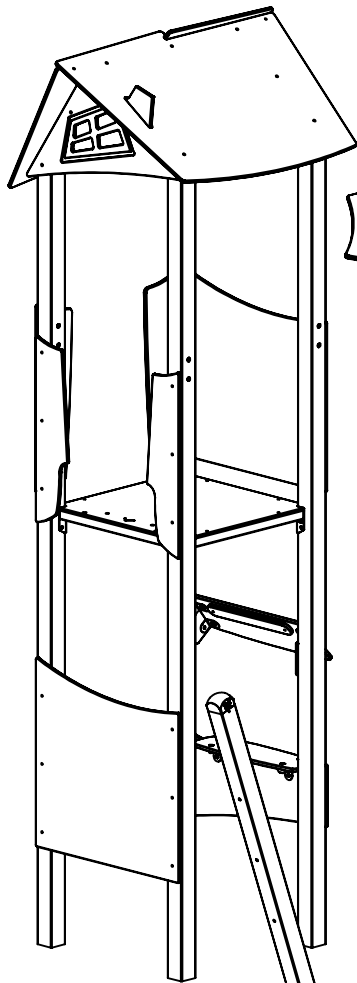
vinci play



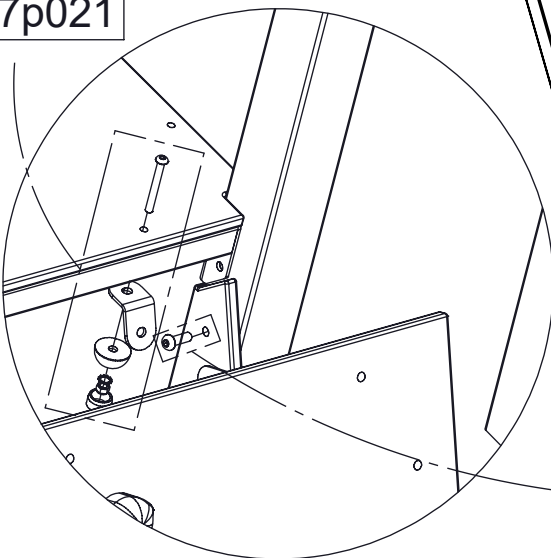
1x 17p015



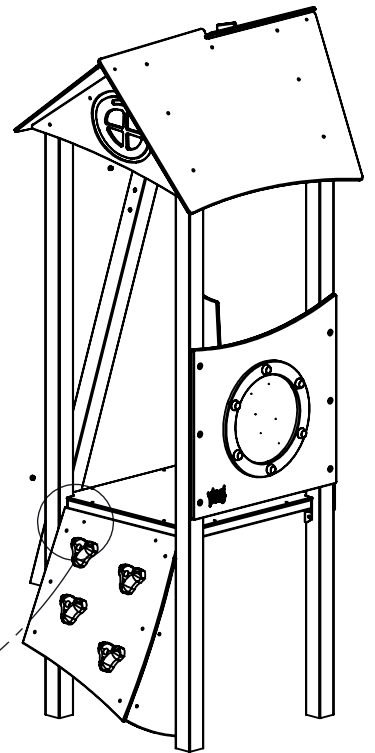
1x 17p051



1x 17p021



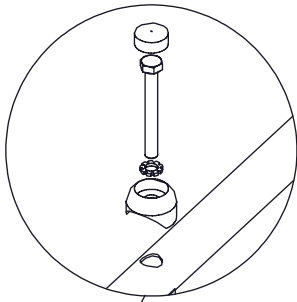
6x 8x25ikl



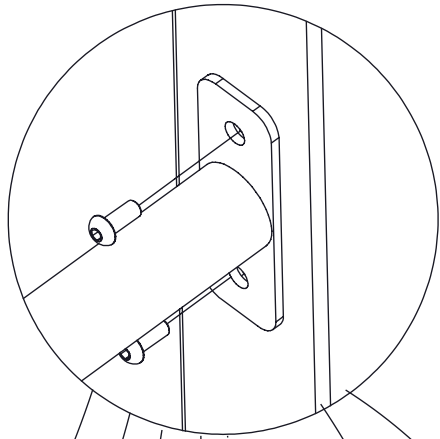
[cm]

vinci  
play

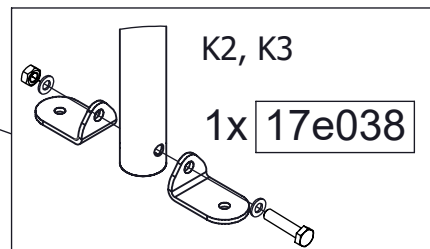
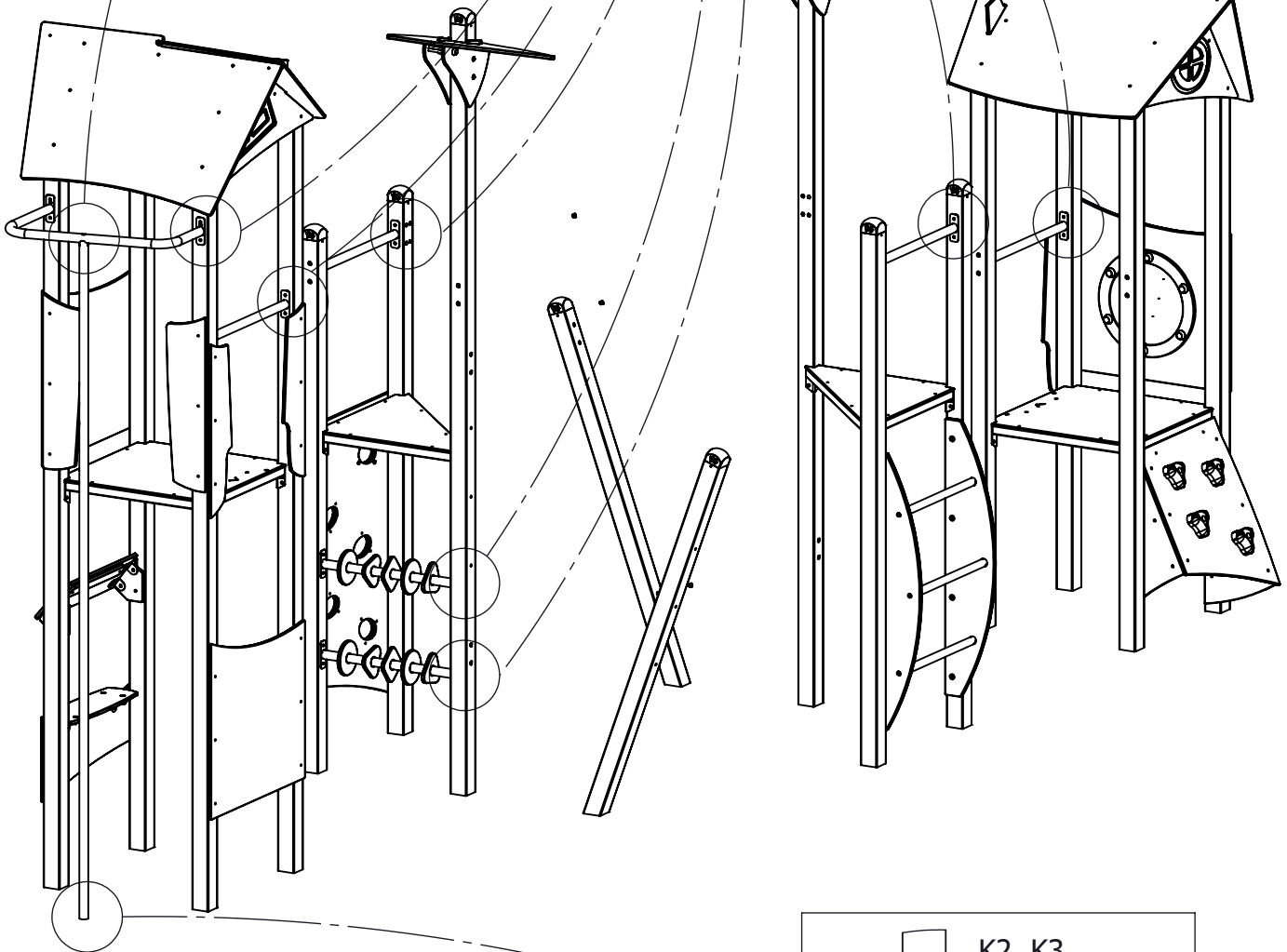




1x 17e039



28x 10x25ikl

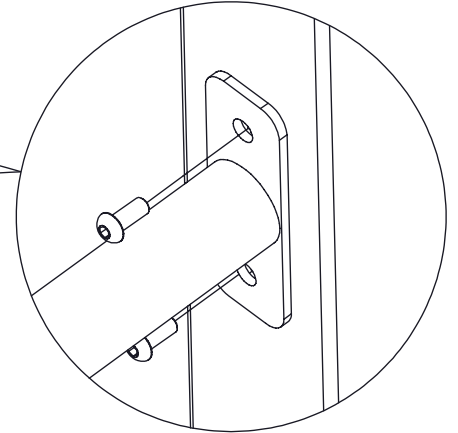
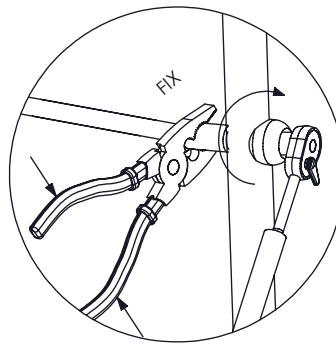
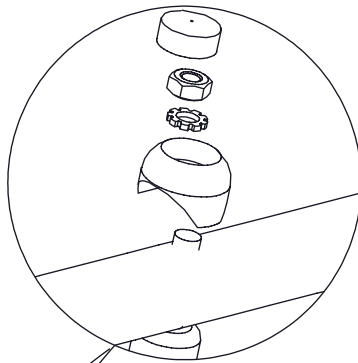


K2, K3

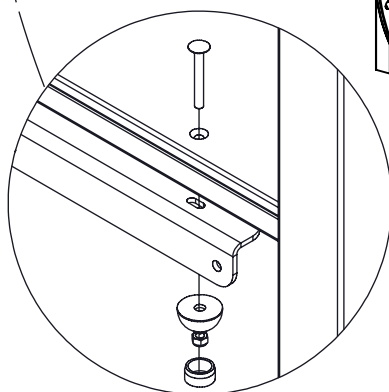
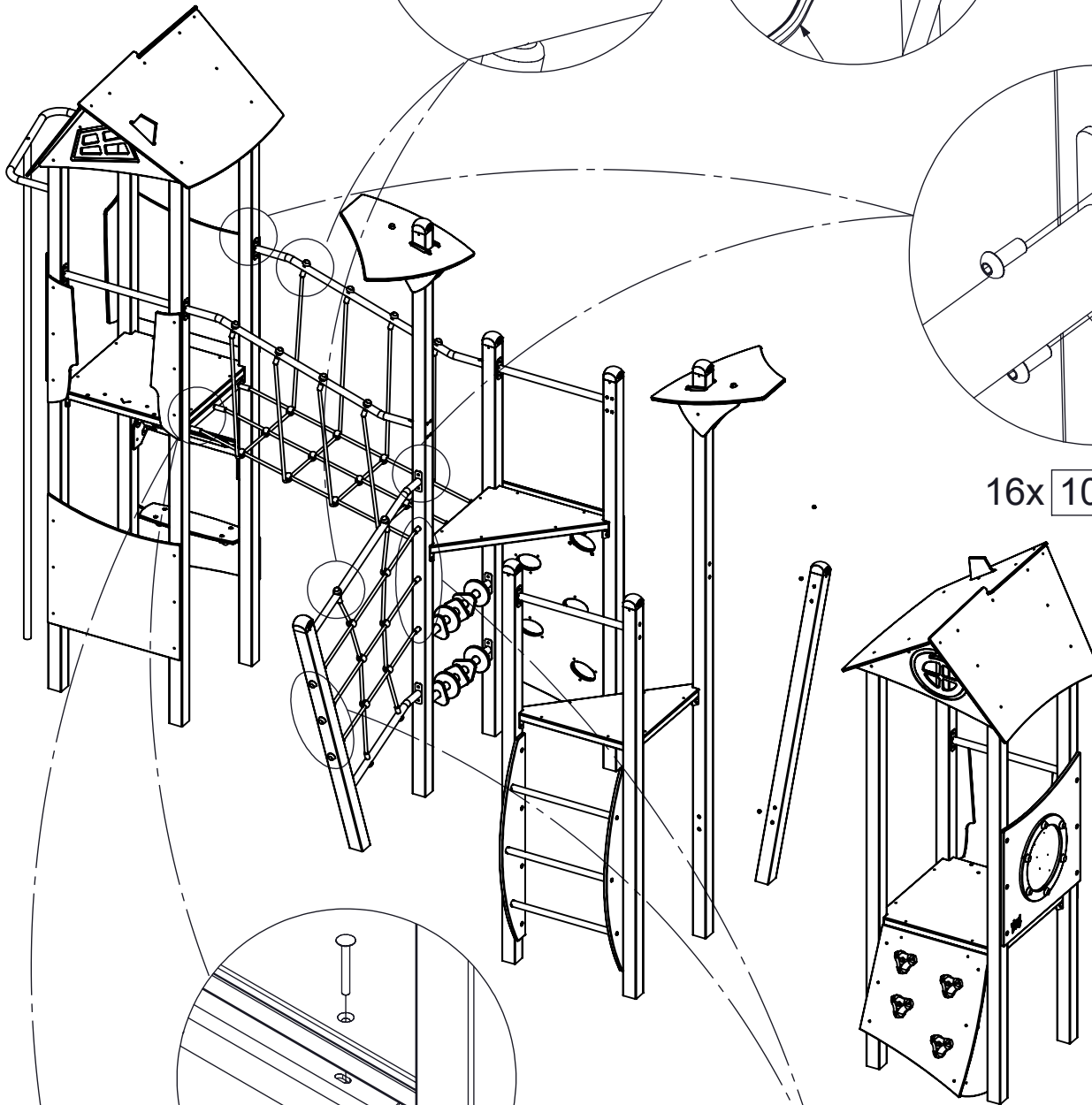
1x 17e038

2x 17e012

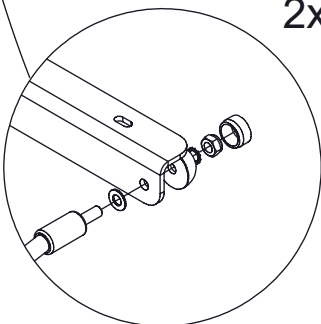
2x 17e014



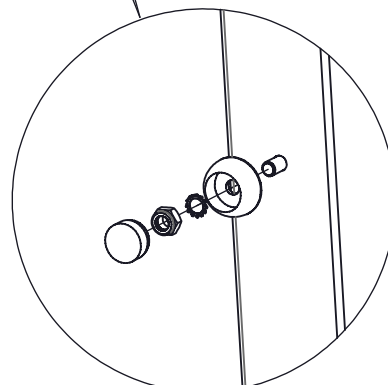
16x 10x25ikl



2x 17p037

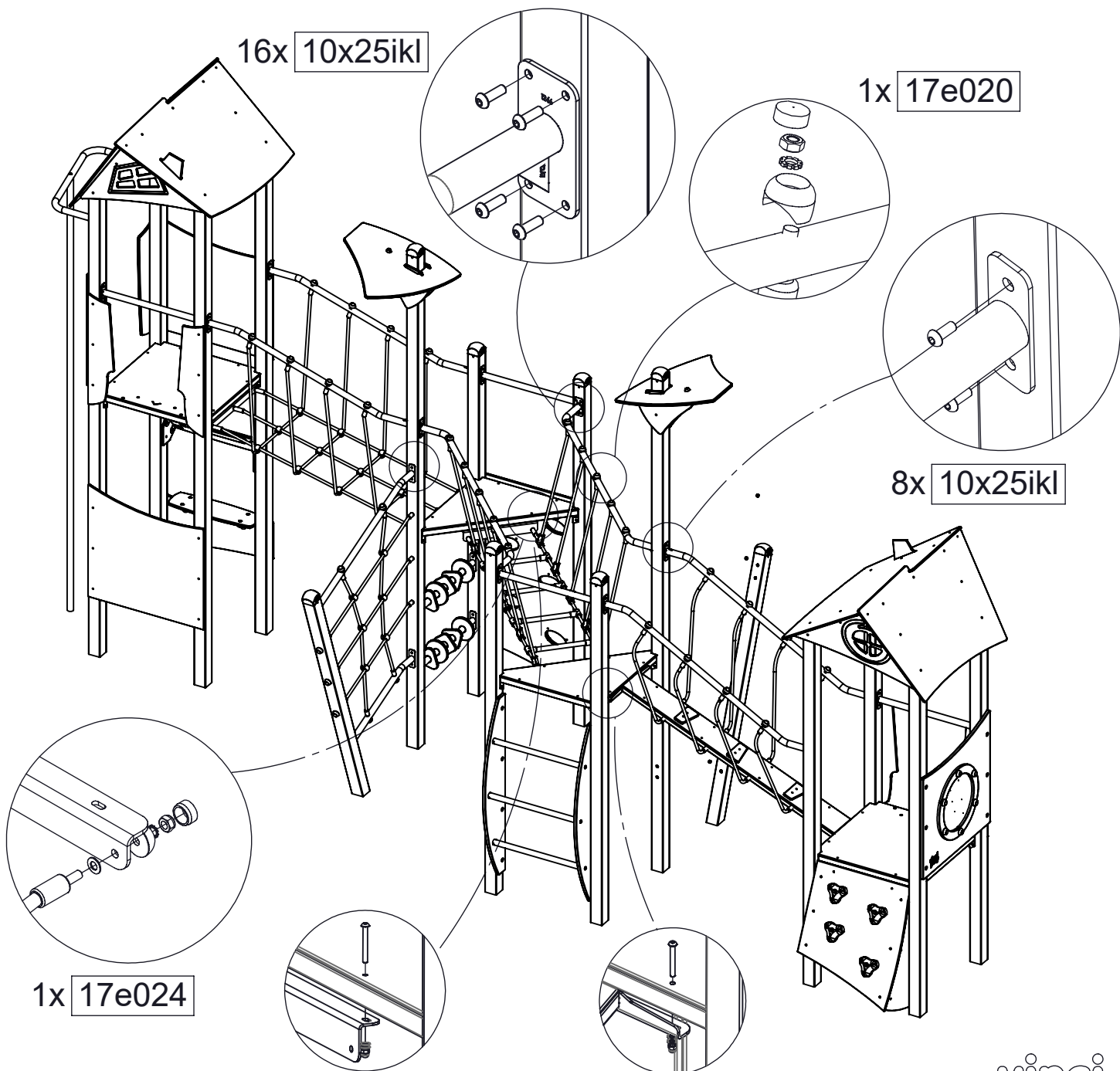
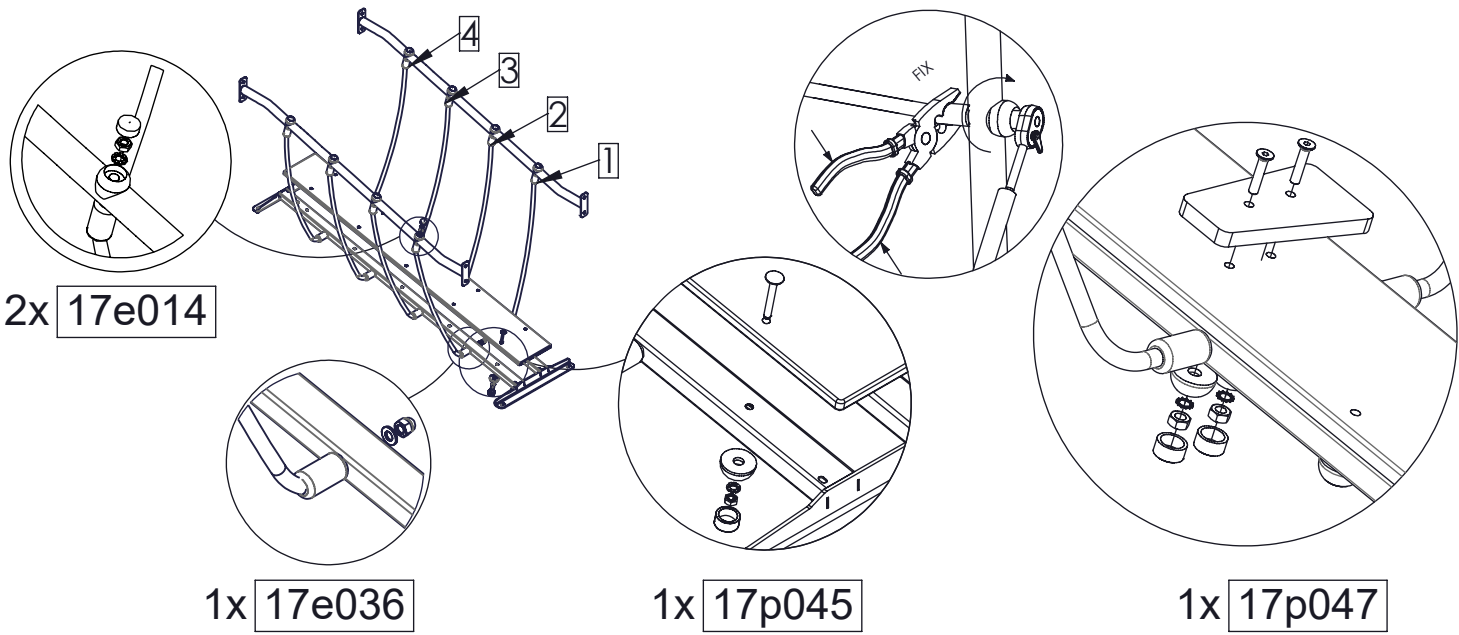


1x 17e031



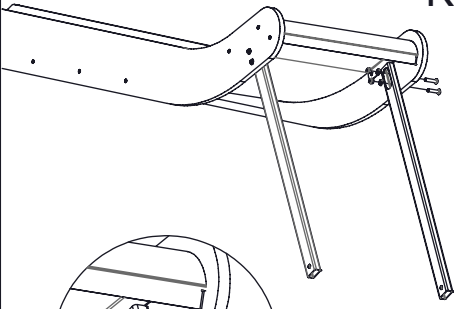
1x 17e004

[cm]



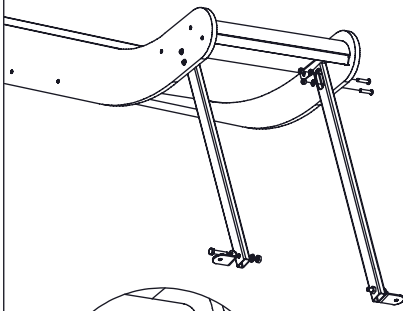
[cm]

K1



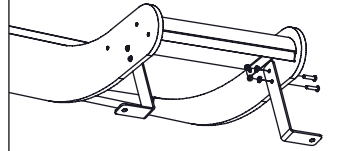
2x 17e034

K2

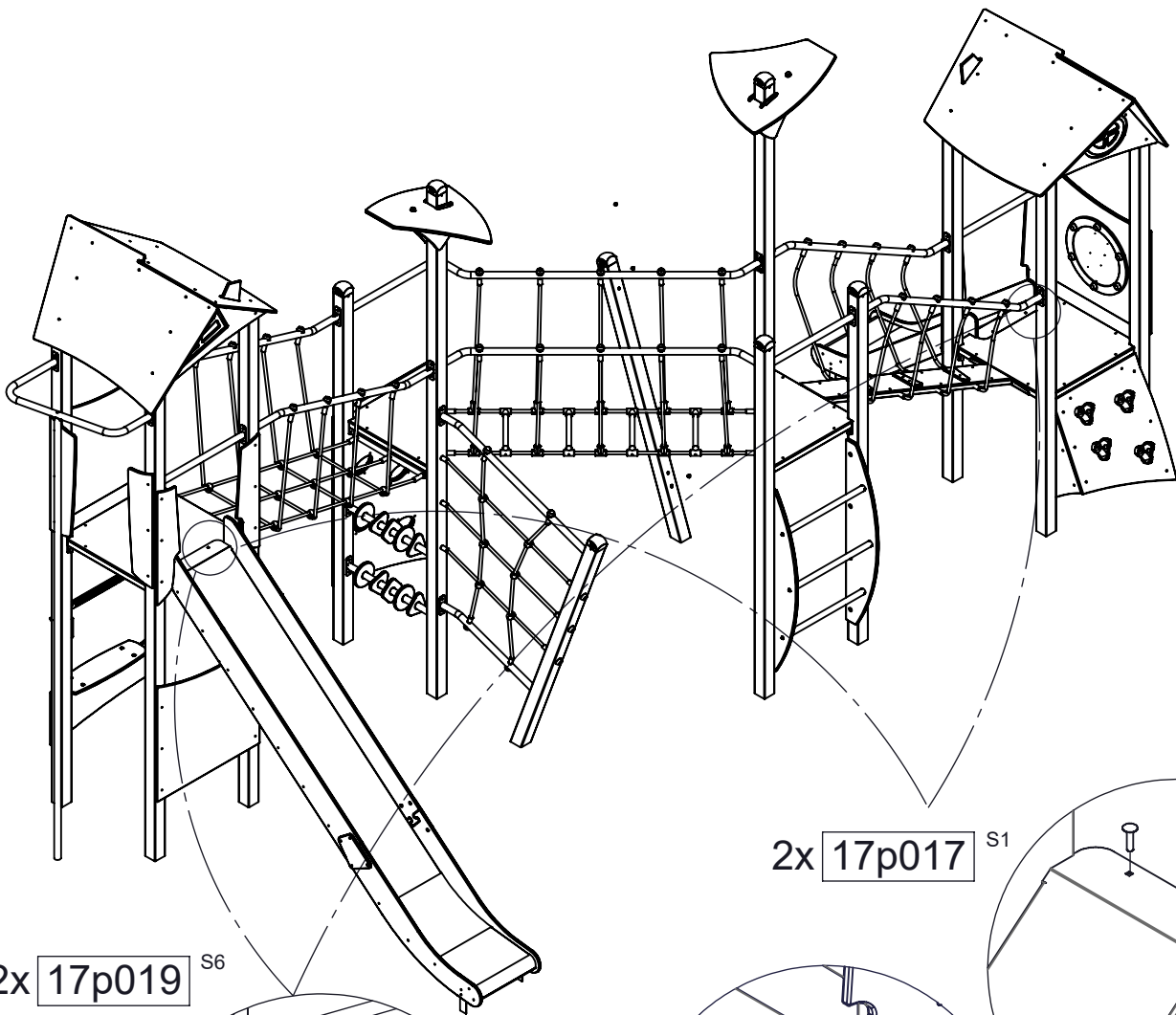


2x 17e035

K3

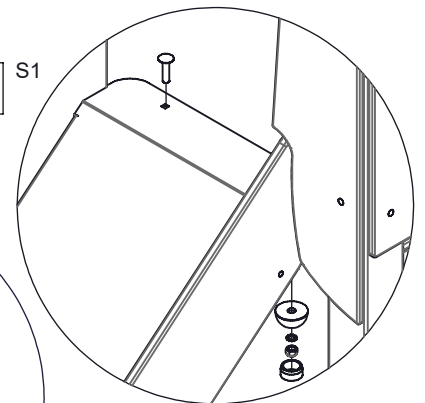
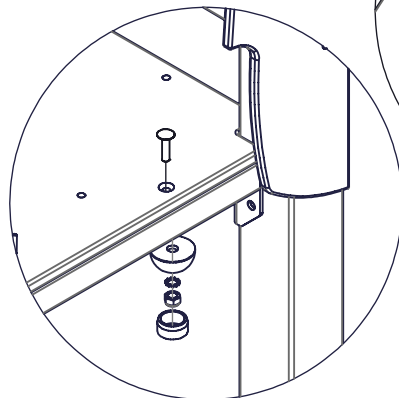
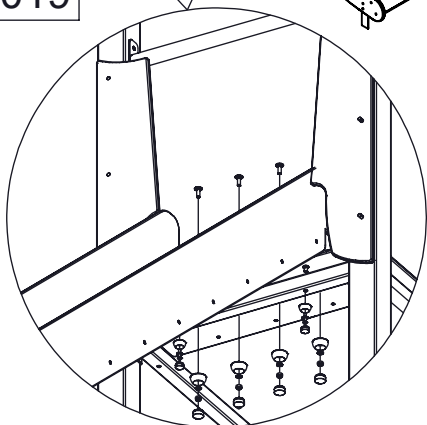


2x 17e034



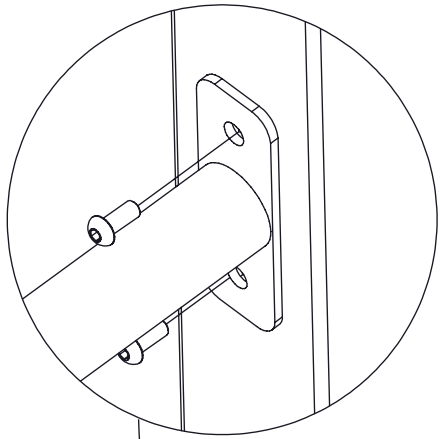
2x 17p019 S6

2x 17p017 S1

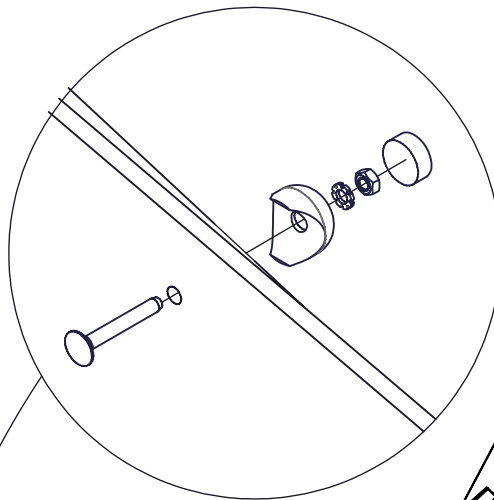


[cm]

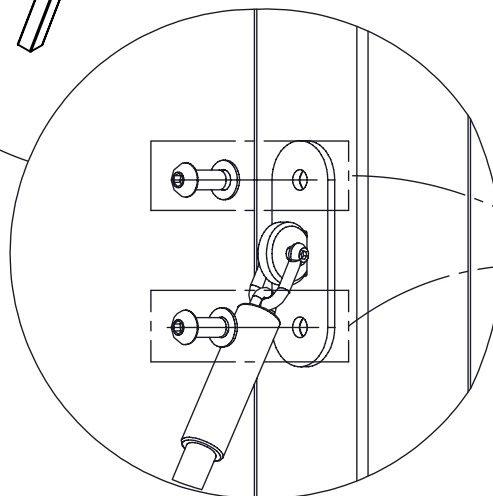
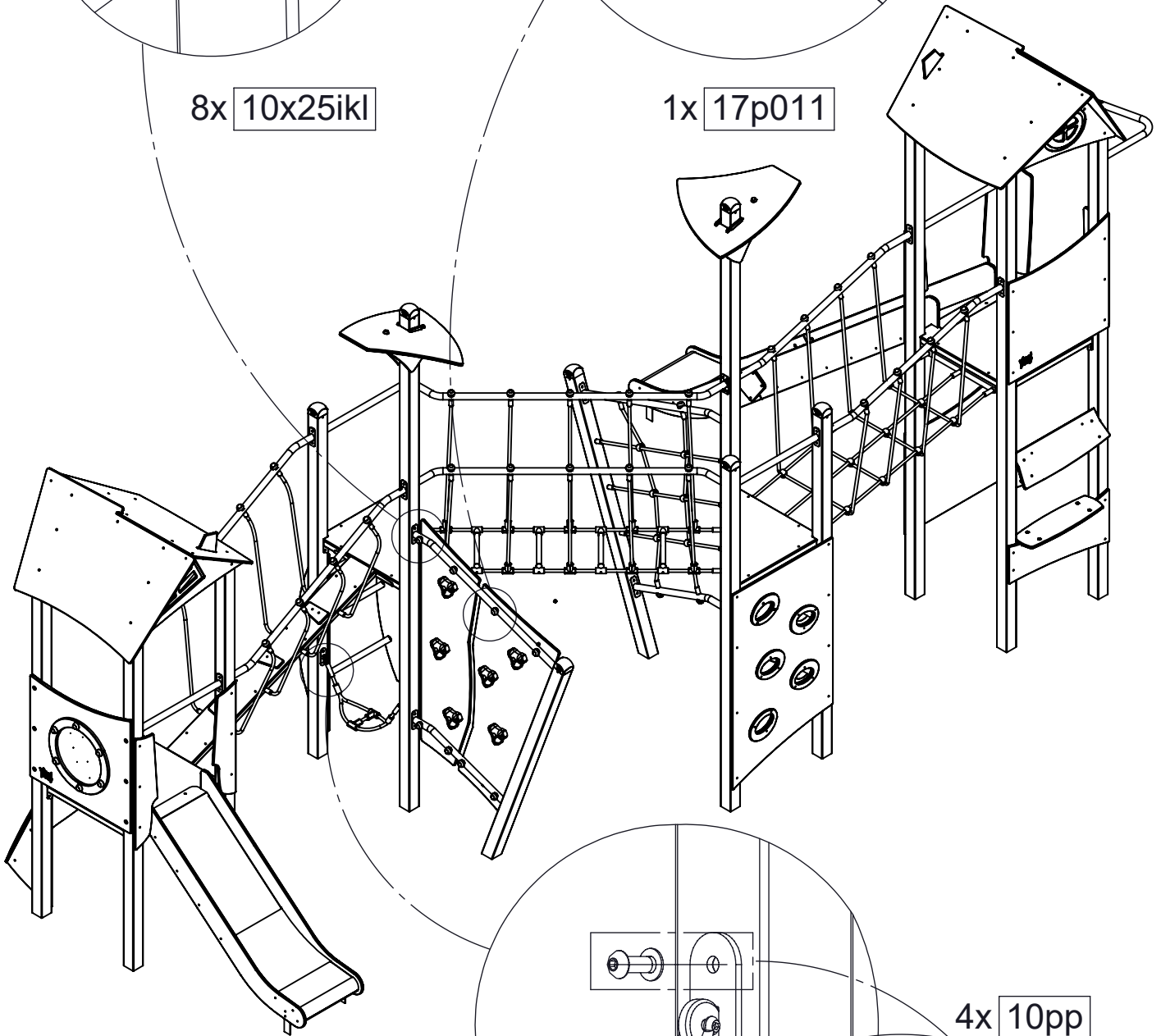
vinci play



8x 10x25ikl



1x 17p011

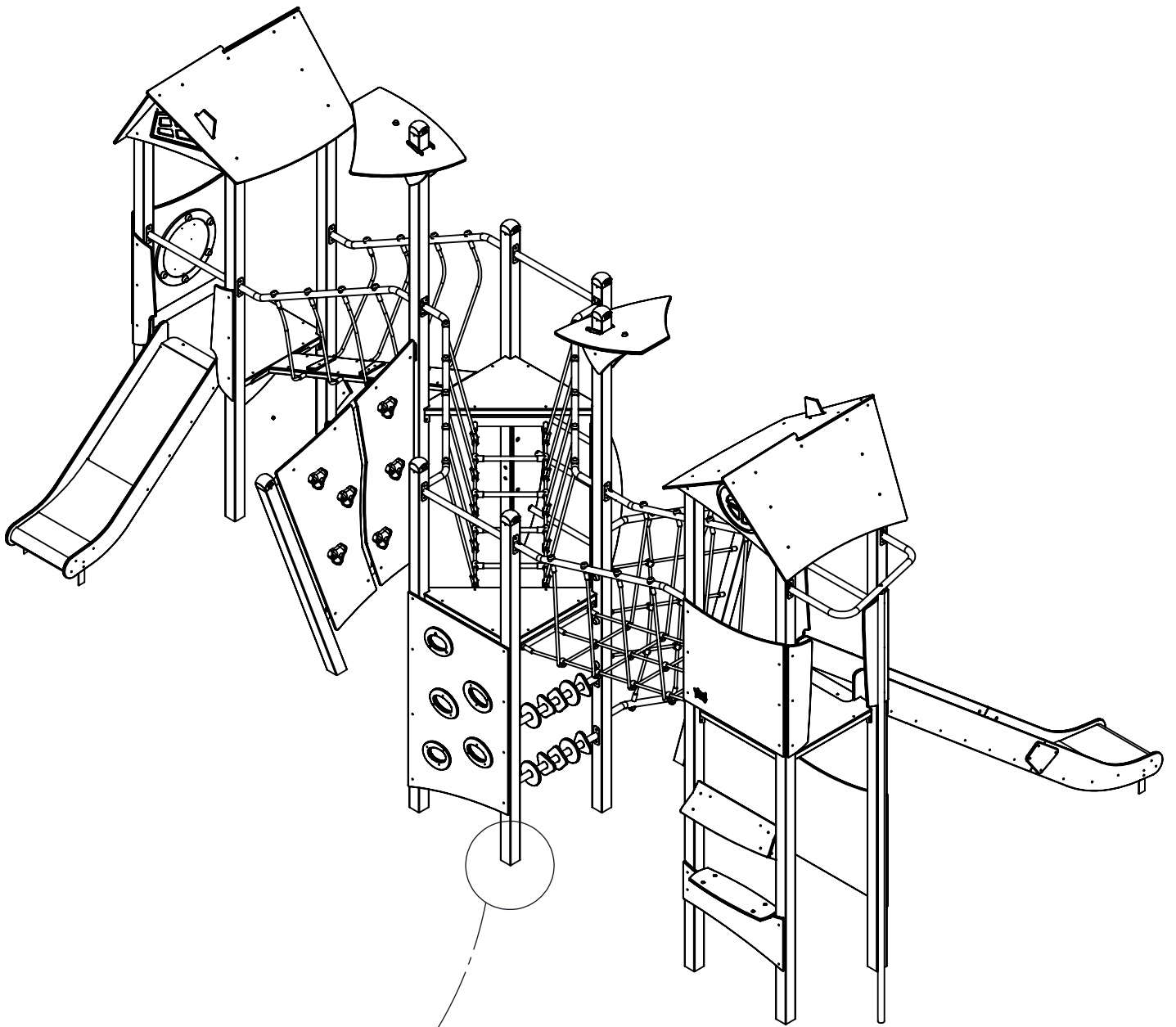


4x 10pp

4x 10x25ikl

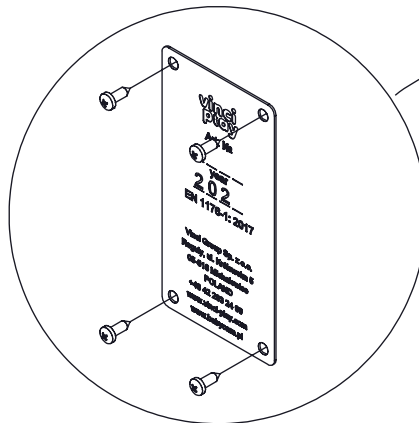
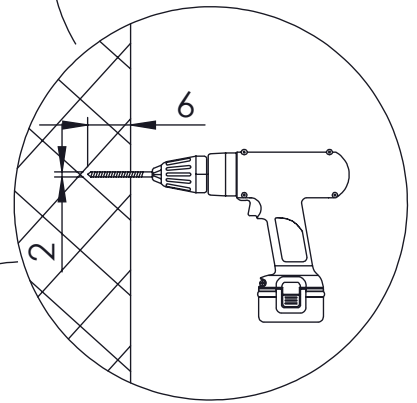
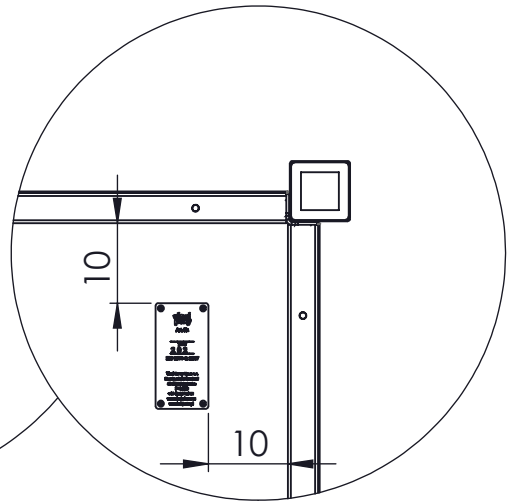
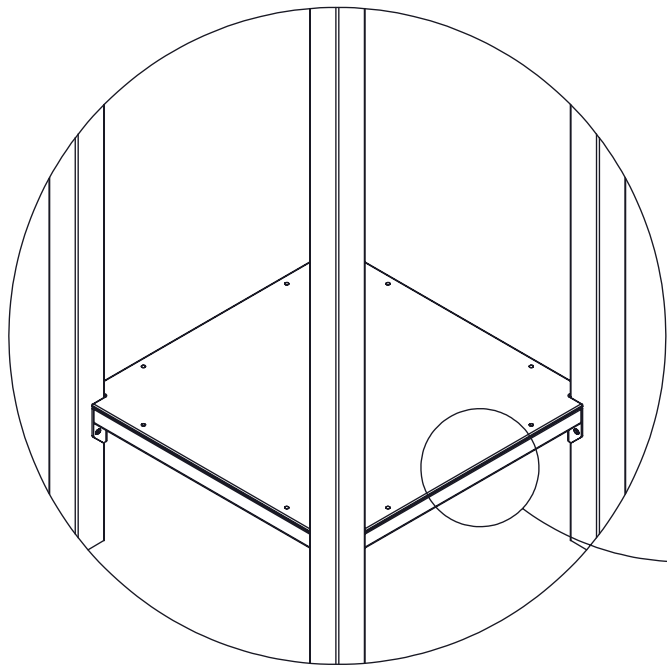
1x 17e050

[cm]




[cm]

vinci  
play

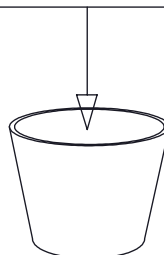


V001

**Part No:**  
000000-  
00000



000000-00000



[cm]

**vinci play**