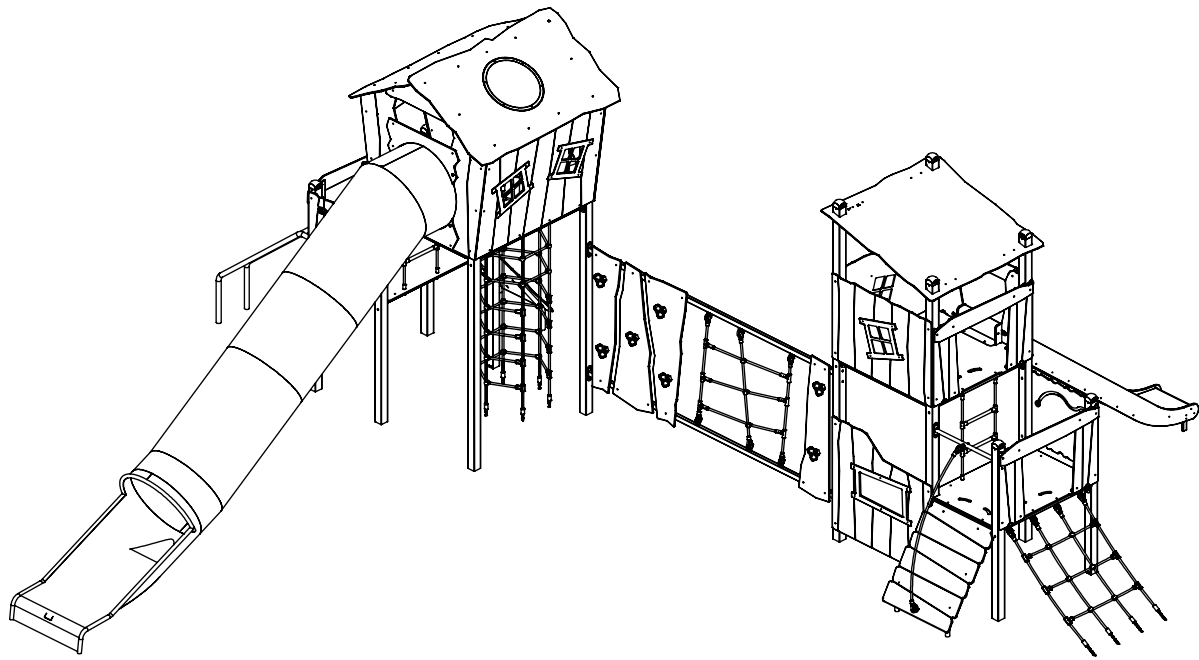
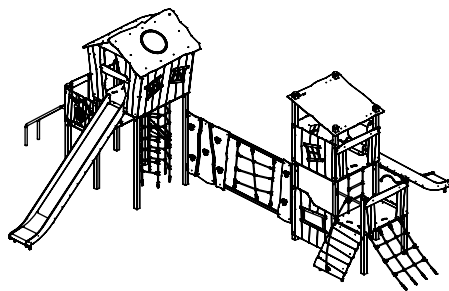


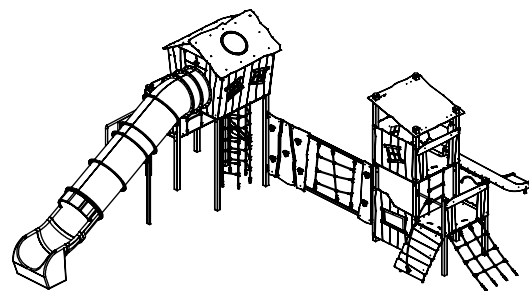
0301



0301S1

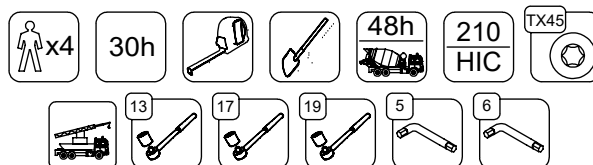


0301S2

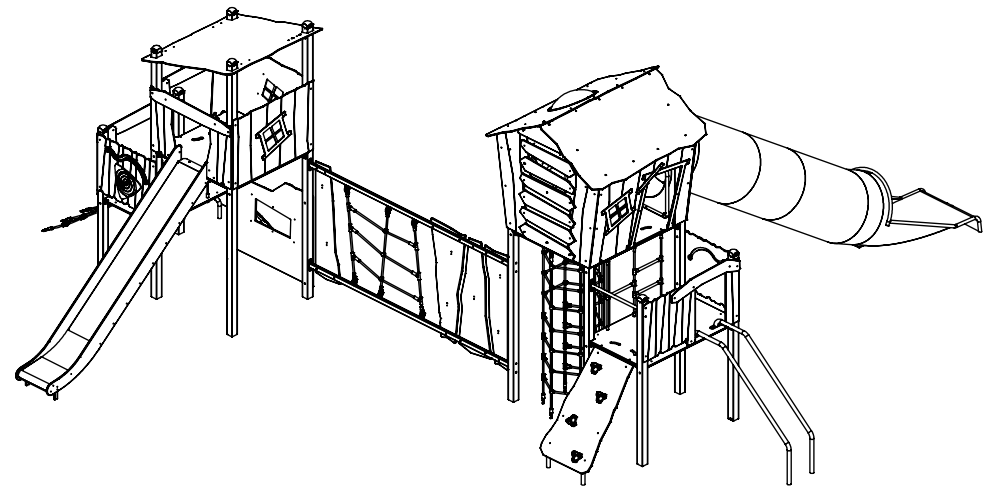
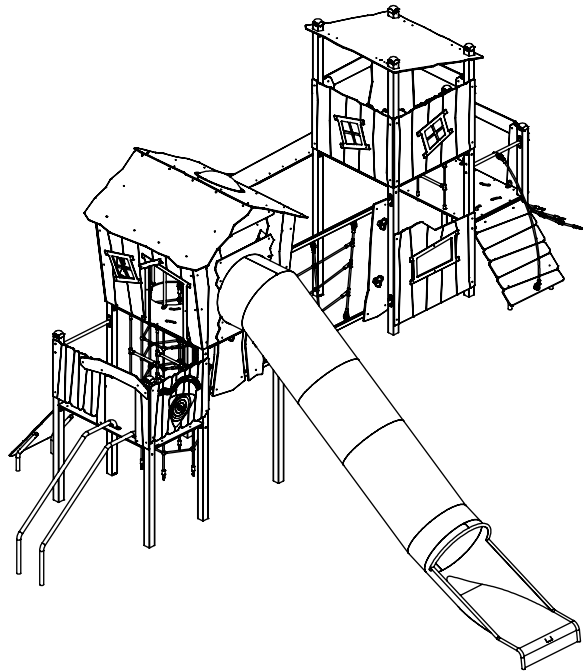
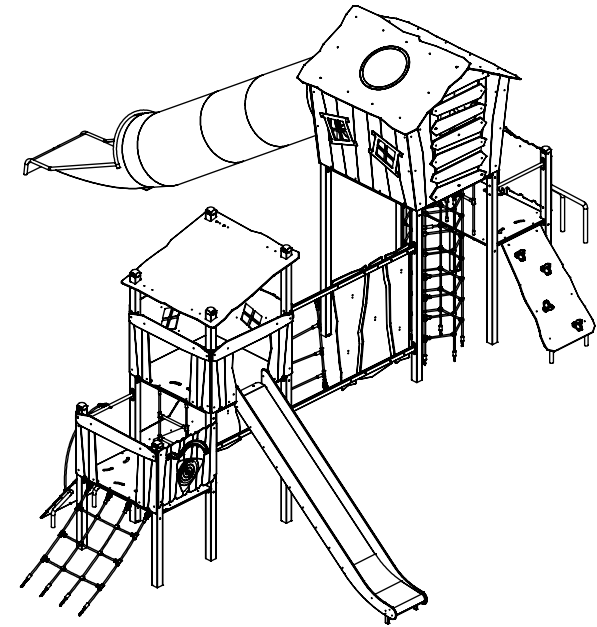
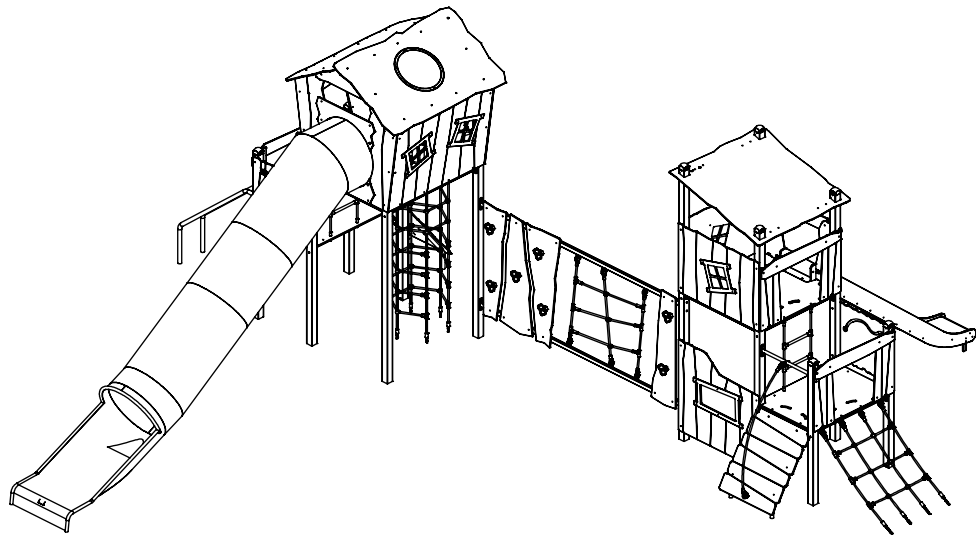


[cm]

v014
08.12.2021
B.K.

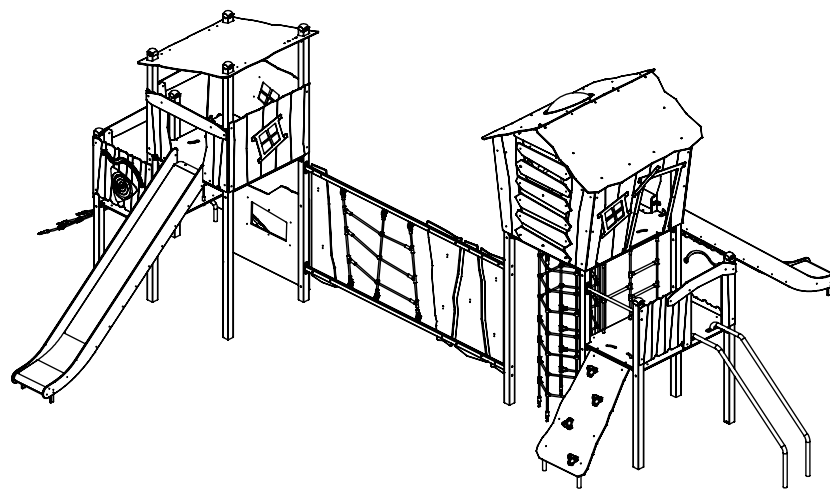
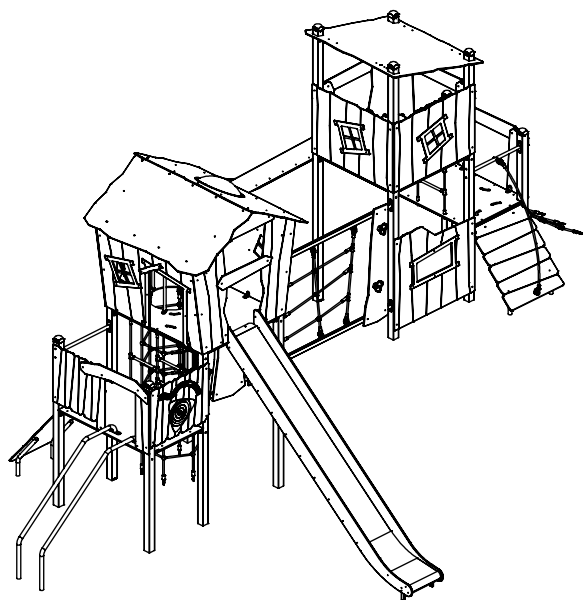
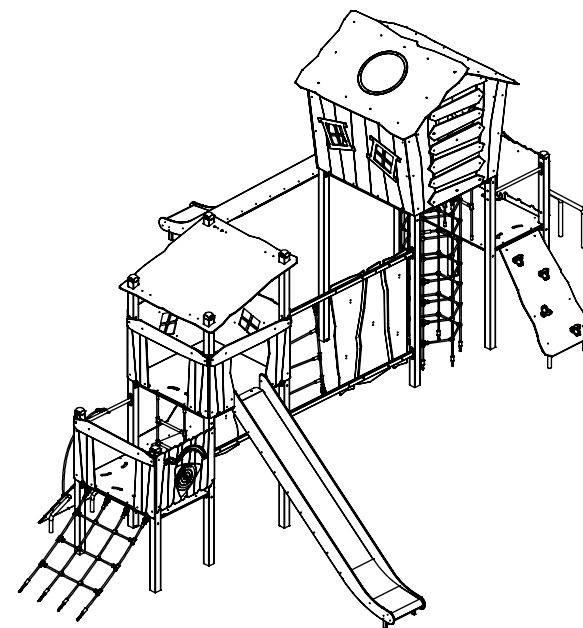
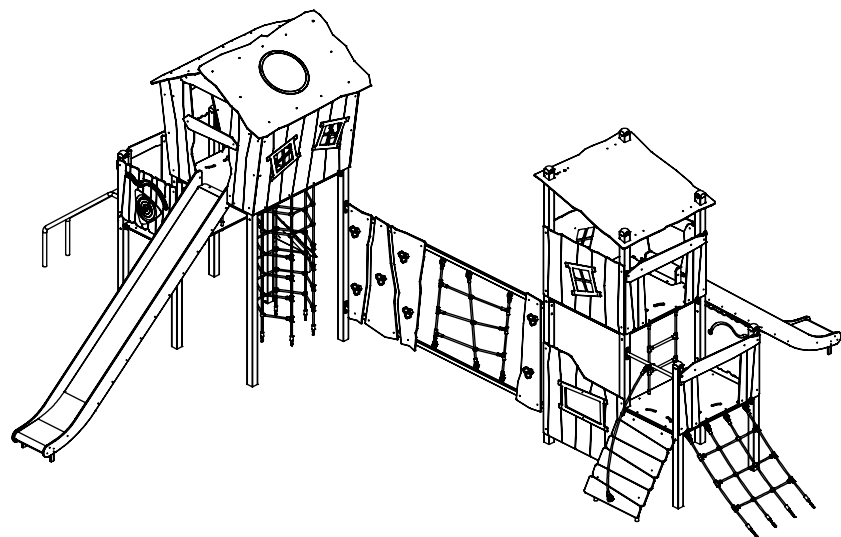


vinci
play



[cm]

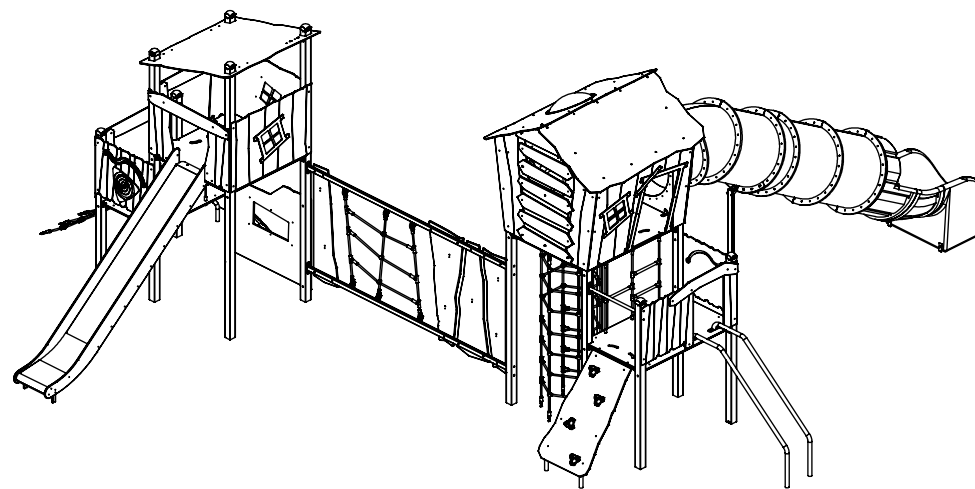
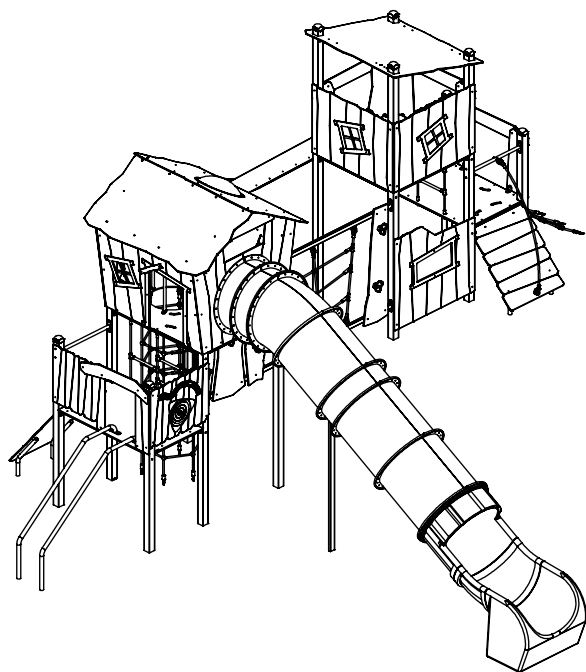
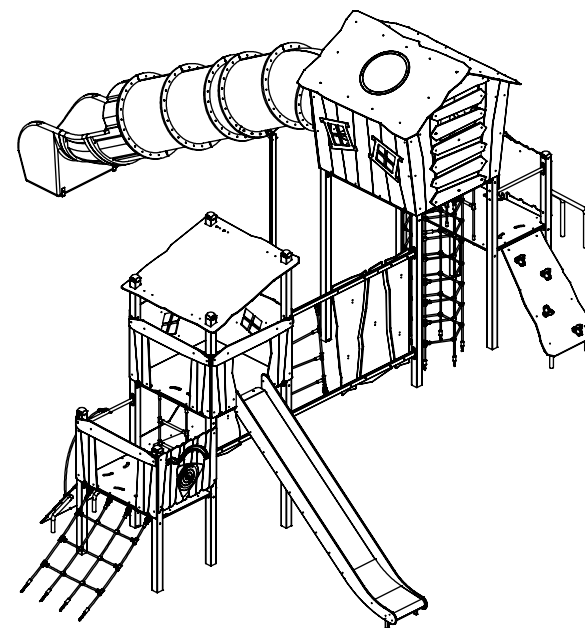
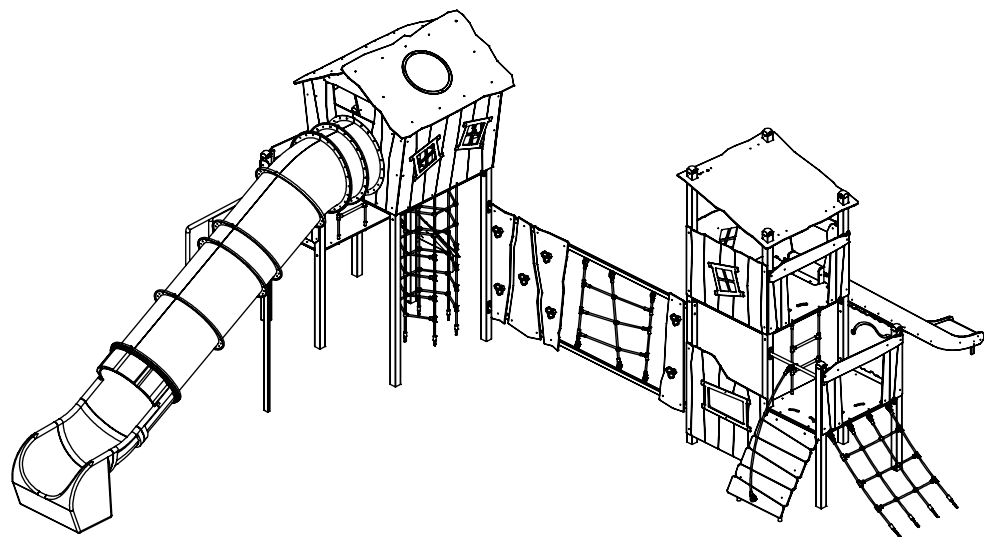
0301S1



[cm]

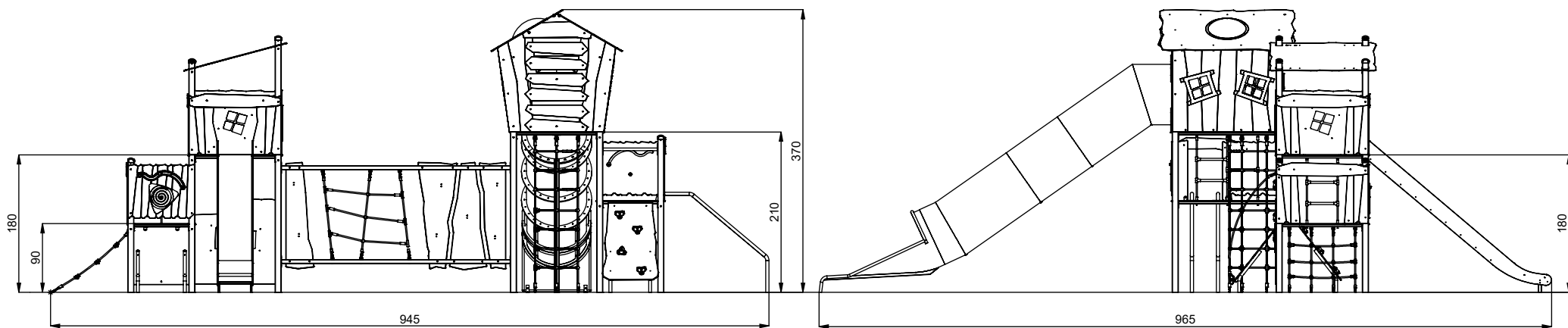
vinci
play

0301S2



[cm]

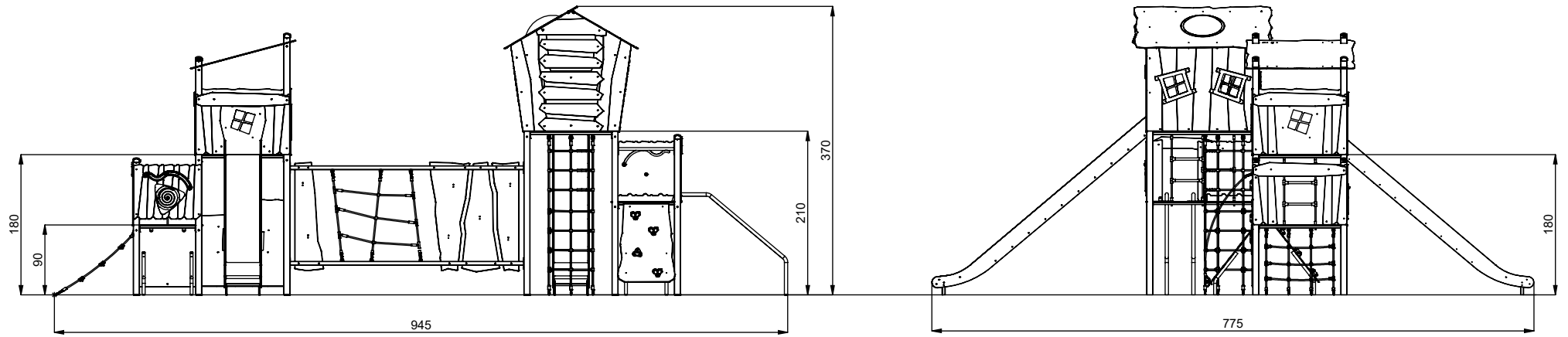
vinci
play



[cm]

vinci
play

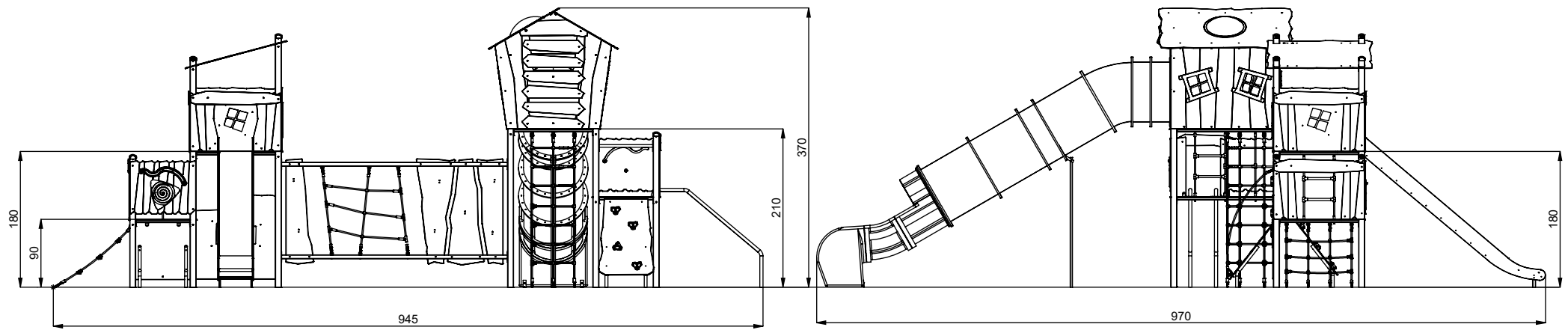
0301S1



[cm]

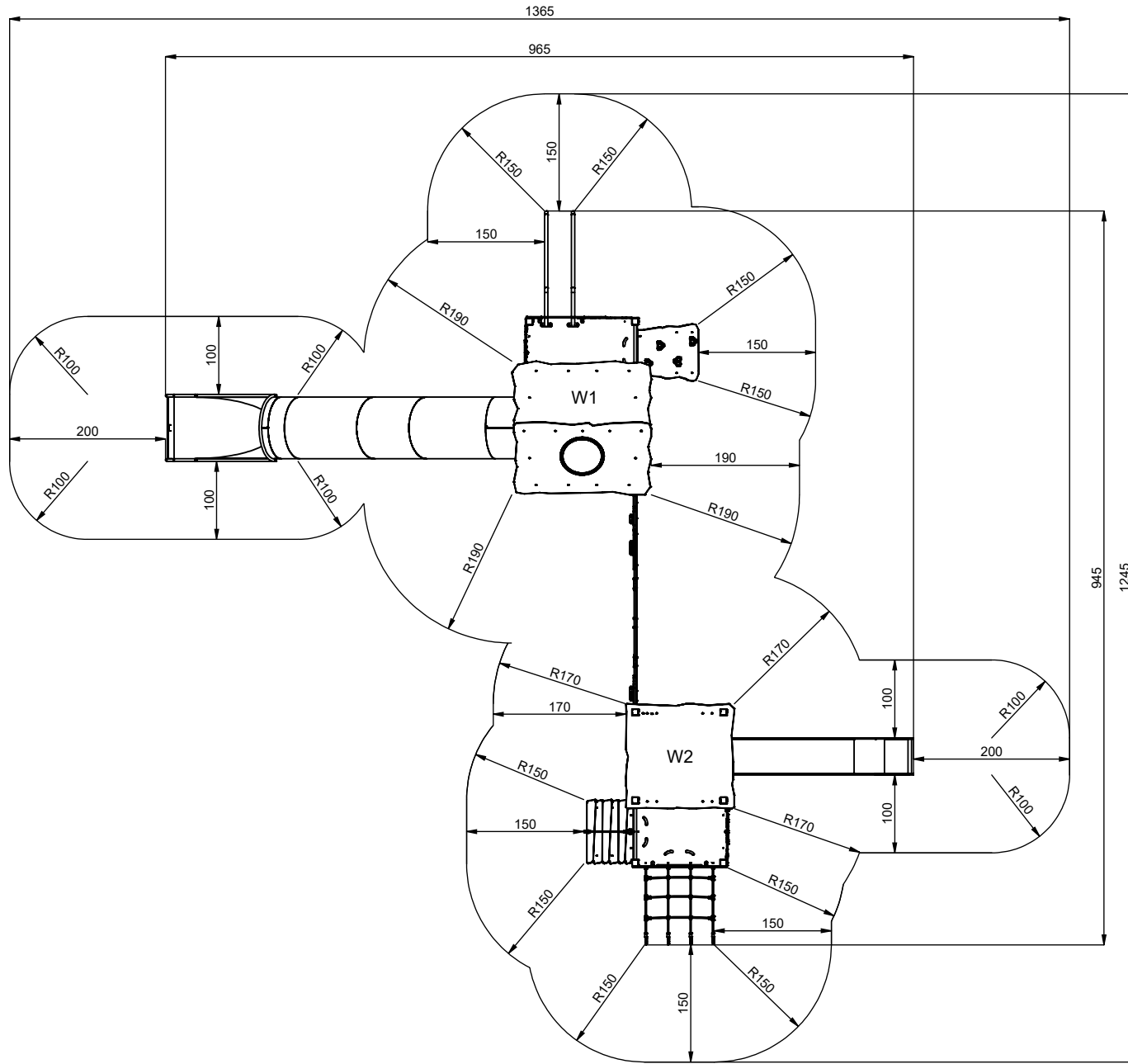
vinci
play

0301S2



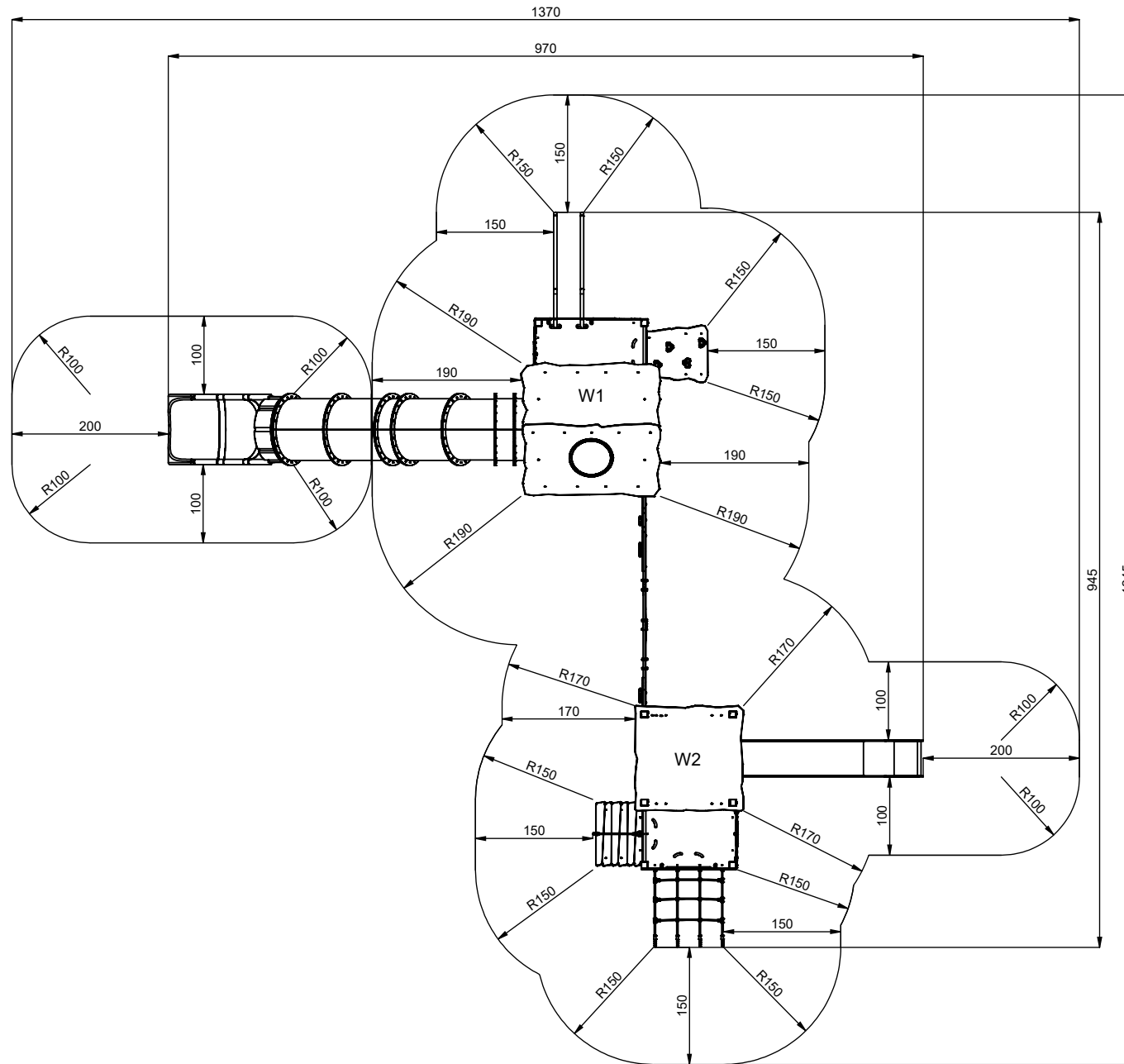
[cm]

vinci
play



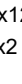
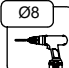



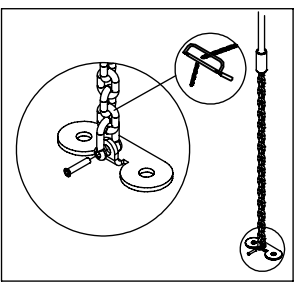
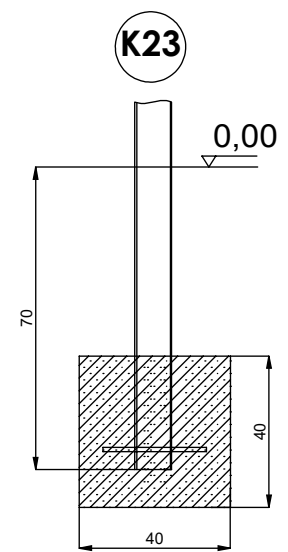
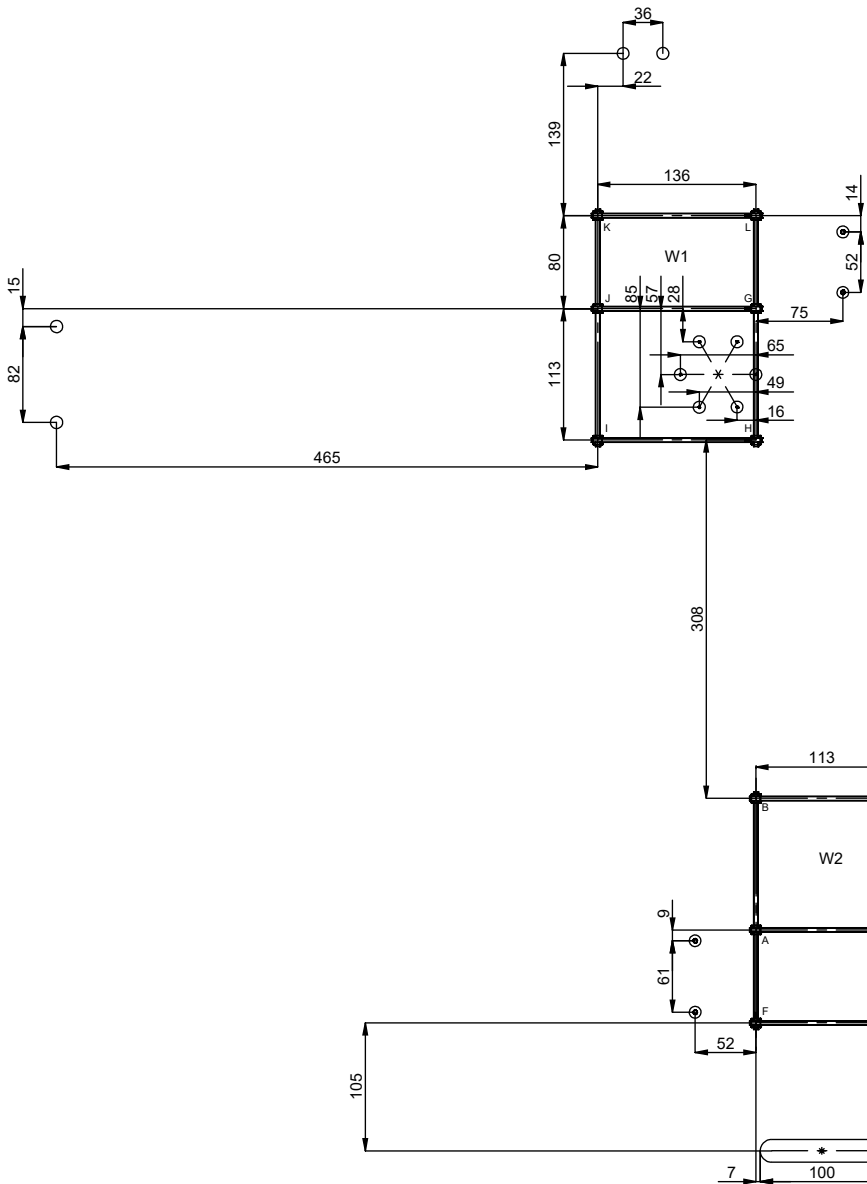
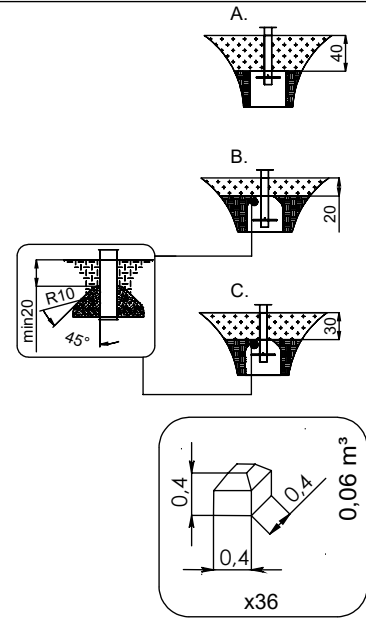
[cm]

0301S2



[cm]

	M10x120 x20	
	M8x120 x2	
NOT INCLUDED		


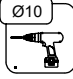
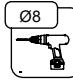



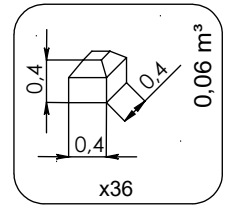
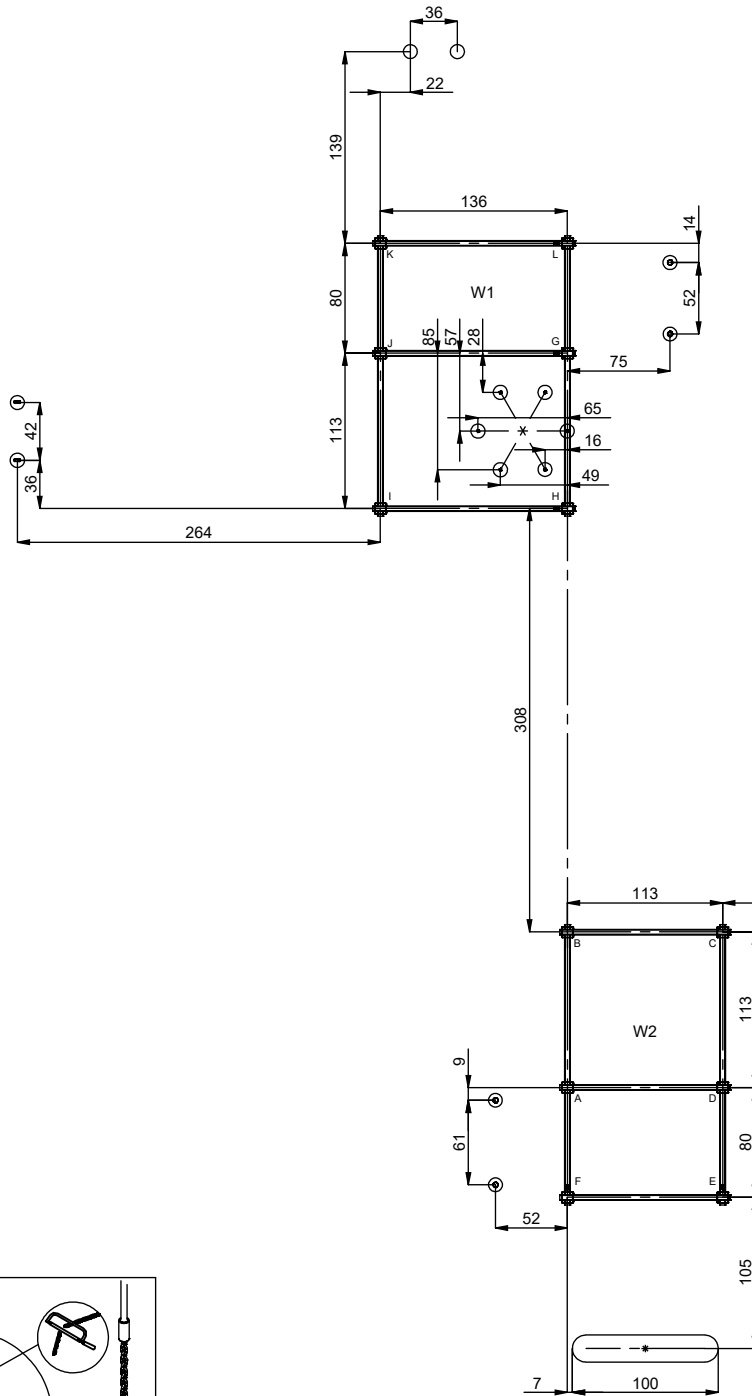
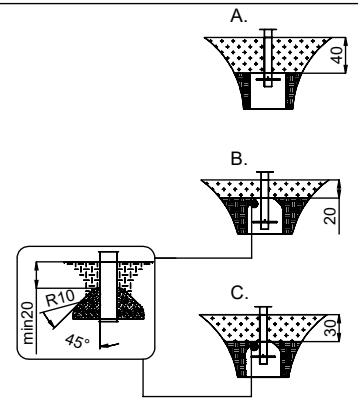
[cm]

 x4	30h			48h
--	-----	---	---	-----

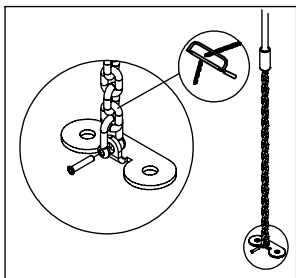
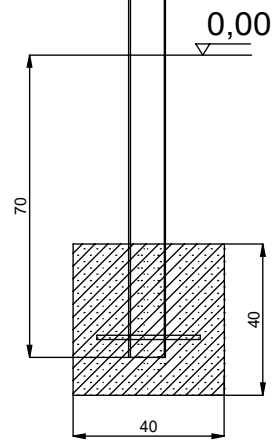
vinci
play

0301S1

	M10x120 x20		Ø10
	M8x120 x4		Ø8
NOT INCLUDED			



K23



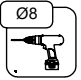



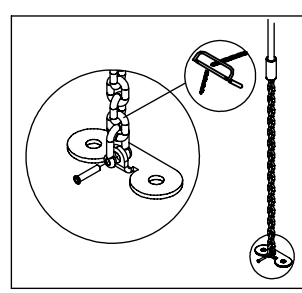
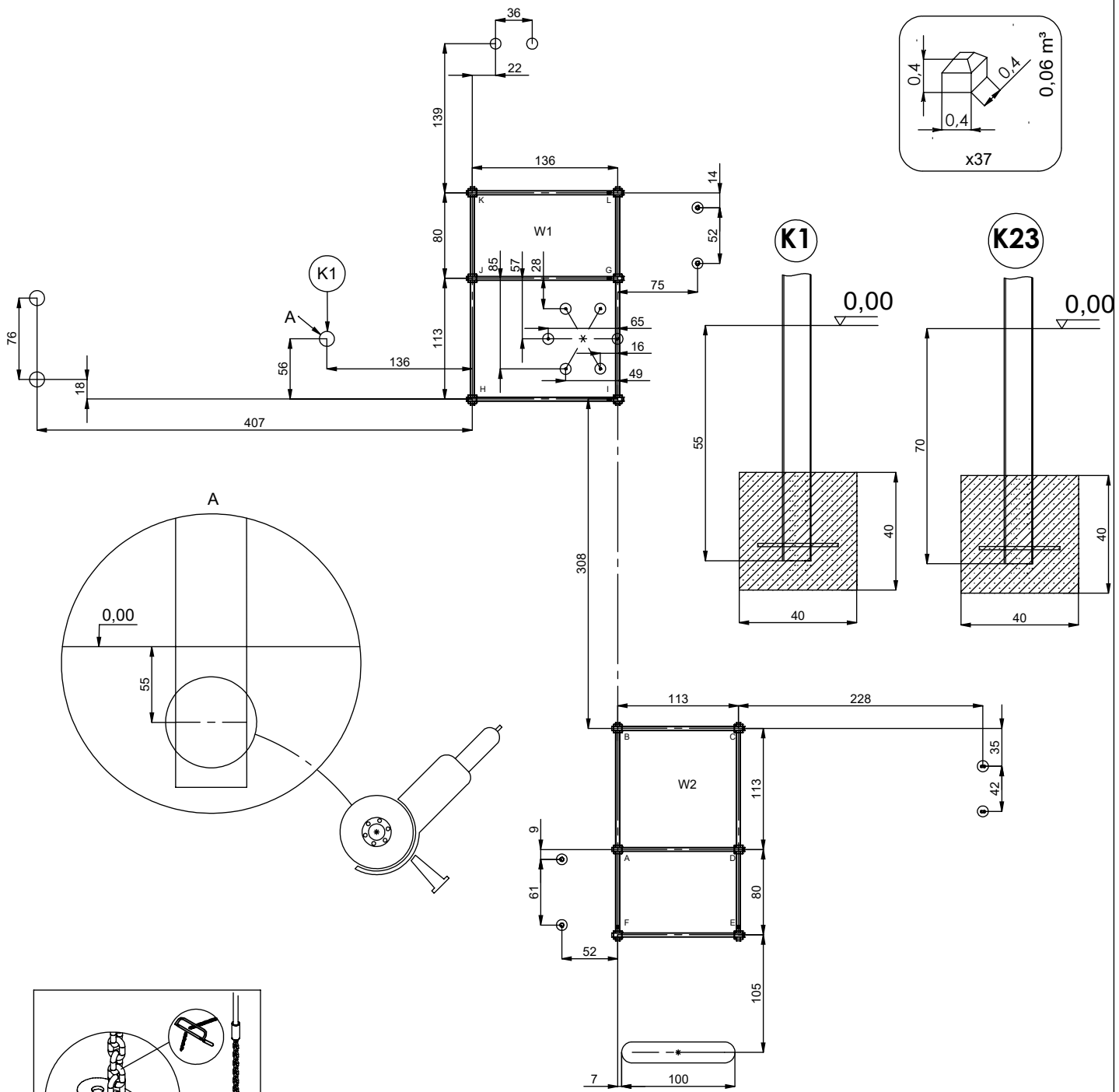
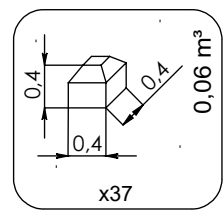
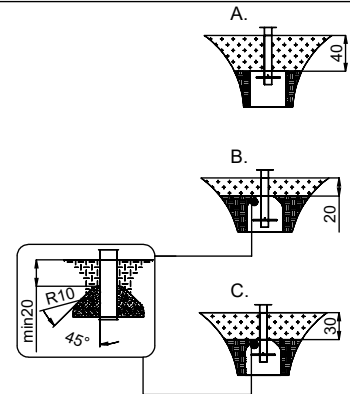
[cm]

 x4	30h			48h
--	-----	---	---	-----

vinci
play

0301S2

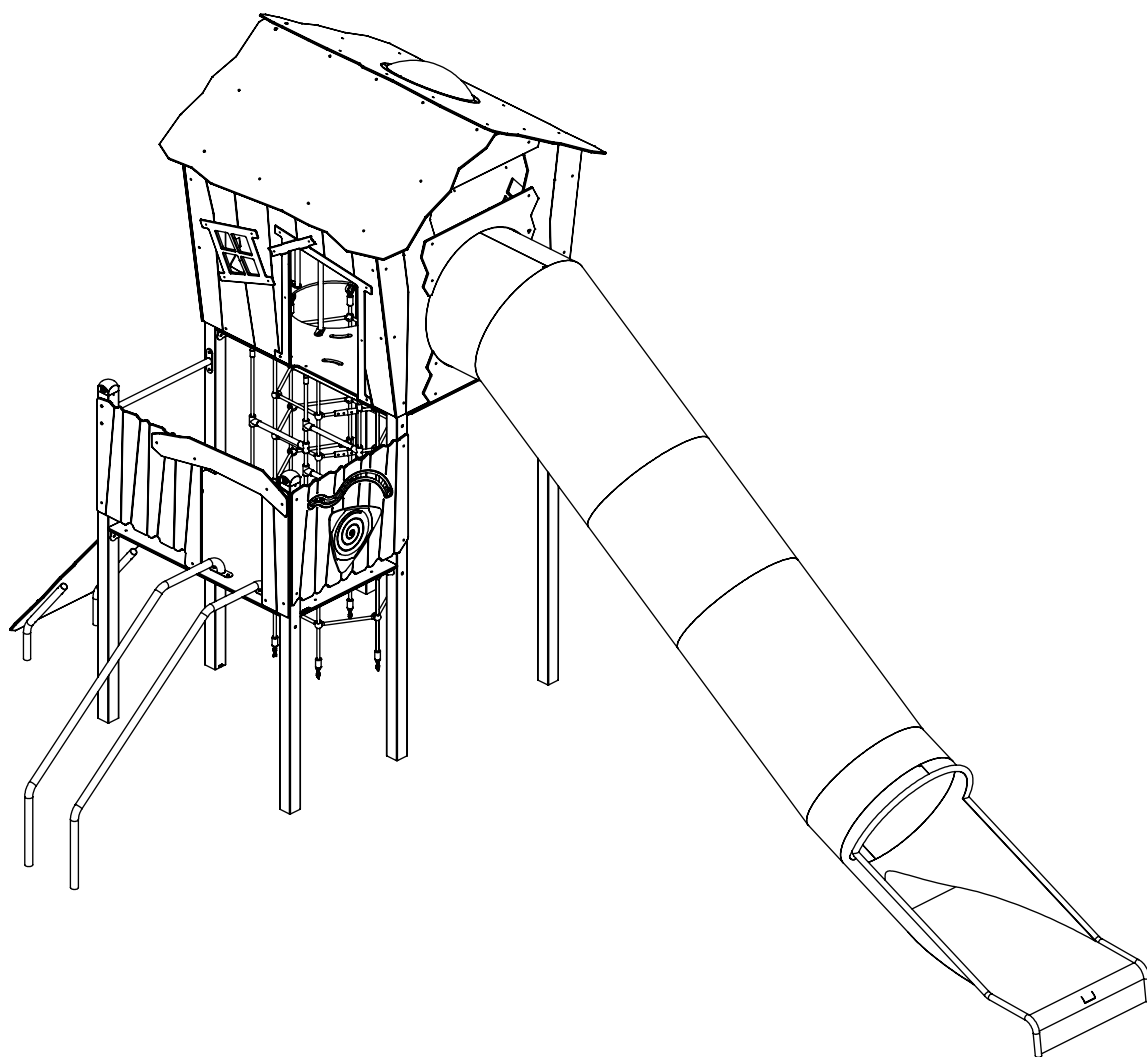
	M10x120 x20		Ø10
	M8x120 x2		Ø8
NOT INCLUDED			



vinci
play

[cm]

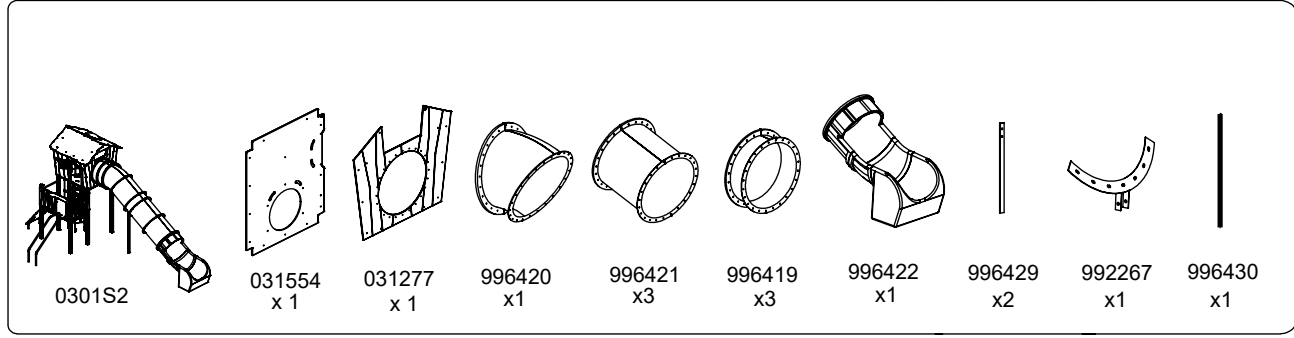
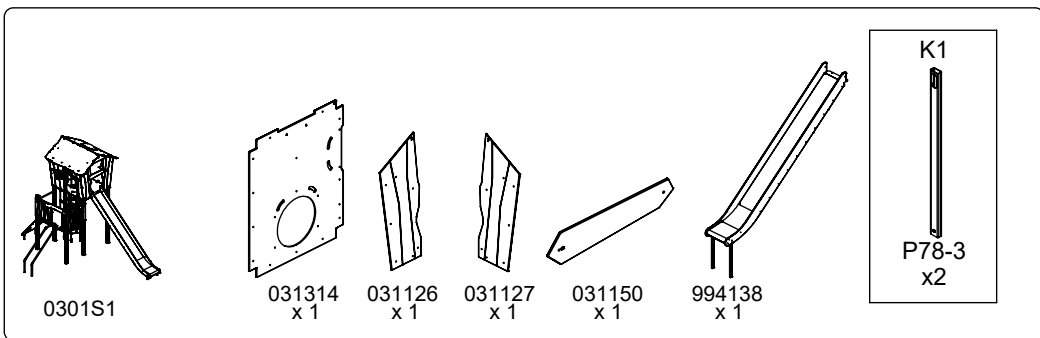
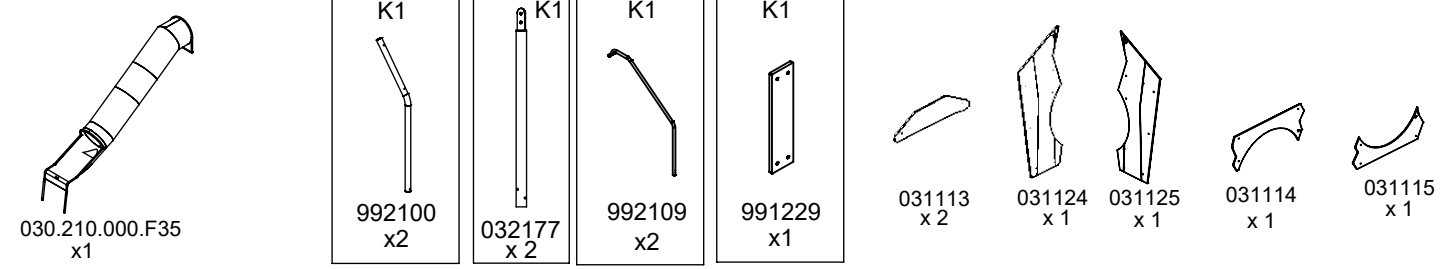
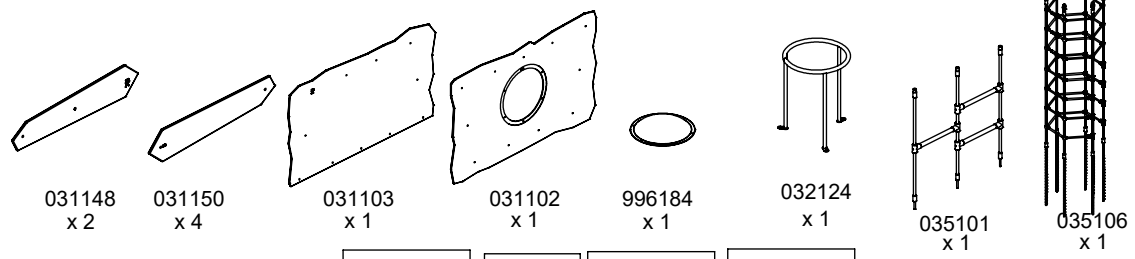
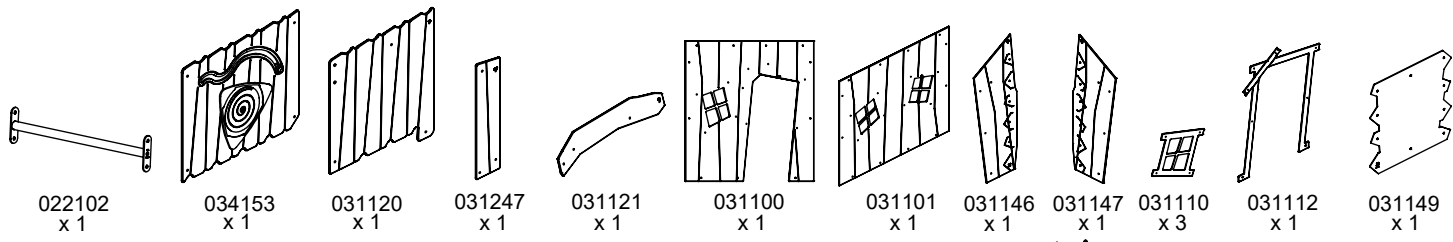
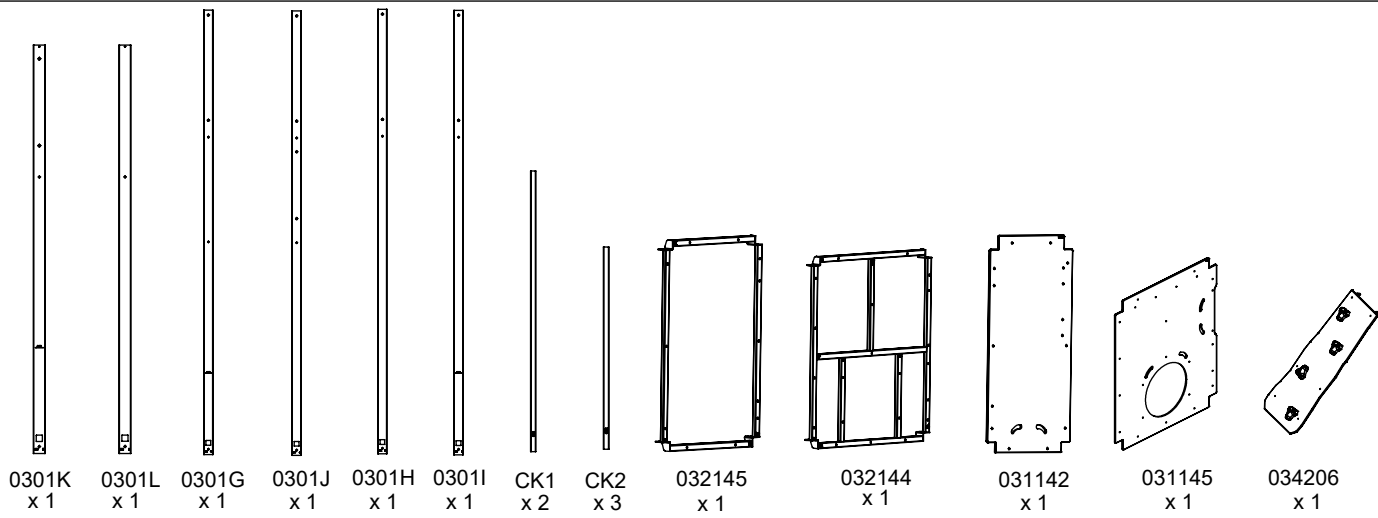
	x4	30h			48h	
---	----	-----	---	---	-----	---



W1

[cm]

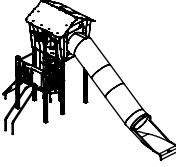
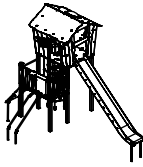
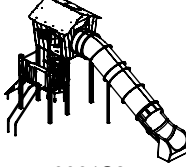
vinci
play

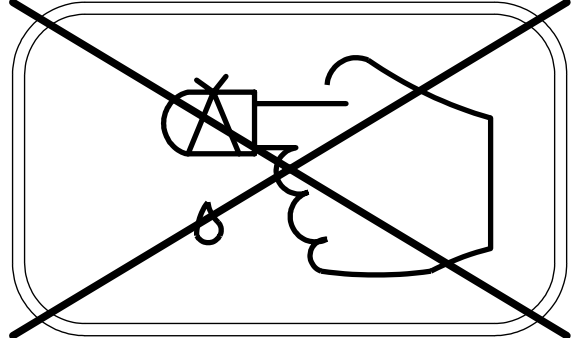
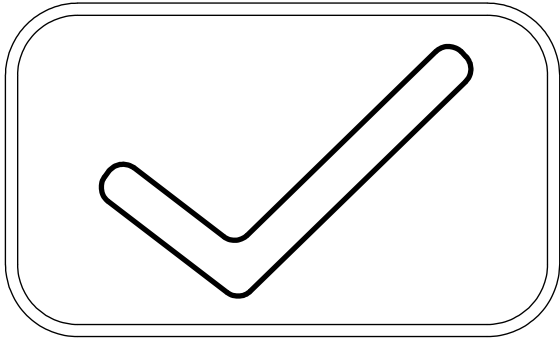
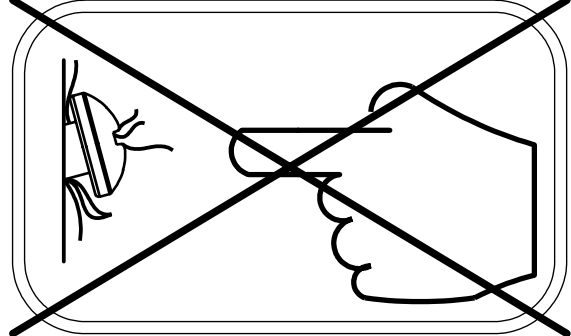
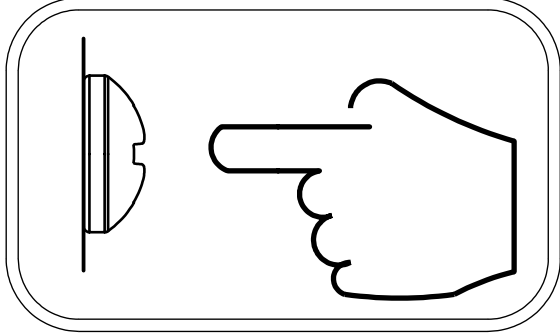
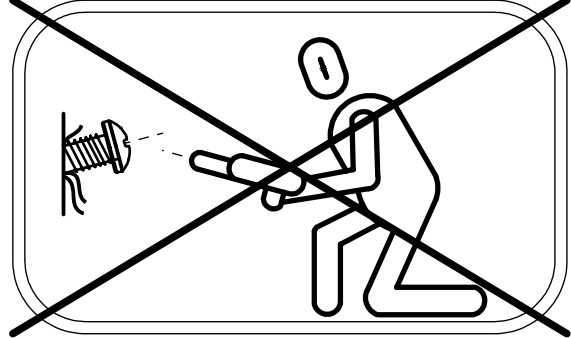
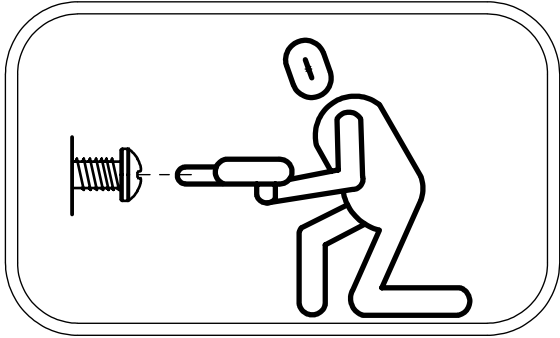


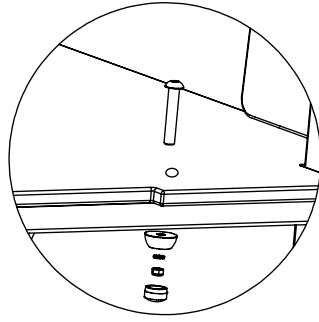
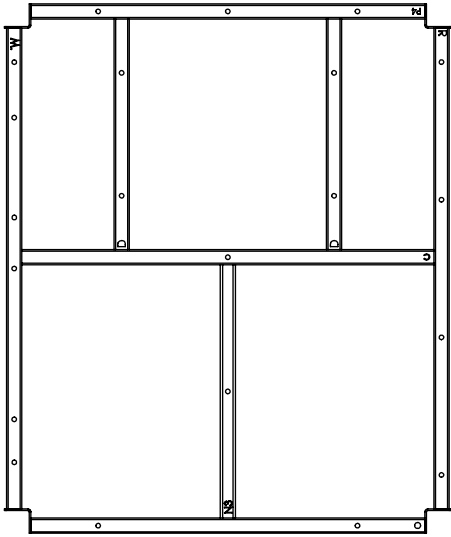
[cm] **W1**



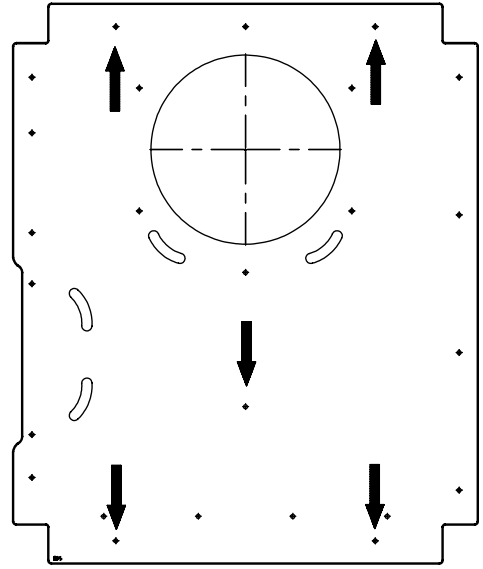
3 x CR1	3 x CR45
5 x CR2	2 x CR68
1 x CR3	4 x CR24
1 x CR4	1 x CR25
2 x CR6	1 x CR28
2 x CR10	1 x CR33
1 x CR12	1 x CR34
1 x CR11	1 x CR36
2 x CR14	2 x CR40
2 x CR15	6 x CR47
2 x CR17	1 x E7
1 x CR18	1 x E44 (K1)
7 x CR20	1 x CL9
1 x CR23 (C5H)	2 x CR98
1 x CR87 (C9H)	1 x CR113
3 x CR91	1 x CR111 (C9H)
1 x CR107 (C9H)	1 x CR112 (C5H)
4 x CR109 (C9H)	2 x CR24 (C9H)
4 x CR110 (C5H)	2 x CR22 (C5H)
1 x V001	1 x CR108 (C5H)

 0301S3	 0301S1	 0301S2
1 x CR8	1 x CR24 (C9H)	5 x 30e090
1 x CR45	1 x CR7	1 x 30e091
4 x CR22(C5H)	1 x CR29 (S1)	1 x 30e092
4 x CR24(C9H)	1 x E34 (K1)	1 x 30e093
1 x 30e010	1 x CR18	1 x 30e096
	1 x CR22 (C5H)	1 x 30e095
	1 x CR89 (S6)	1 x 30c157
		1 x CR7
		1 x CR18

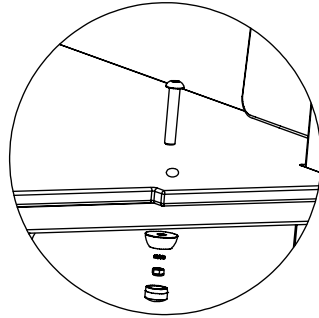
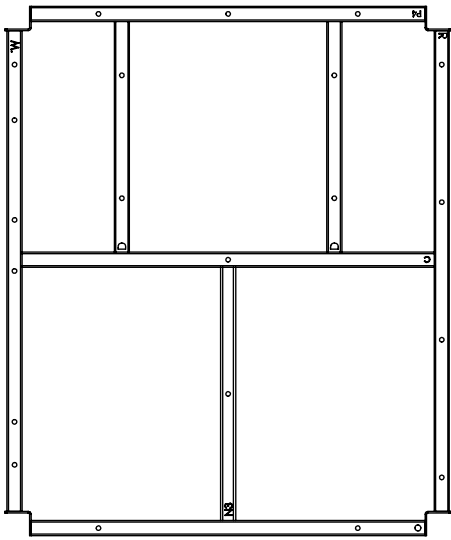




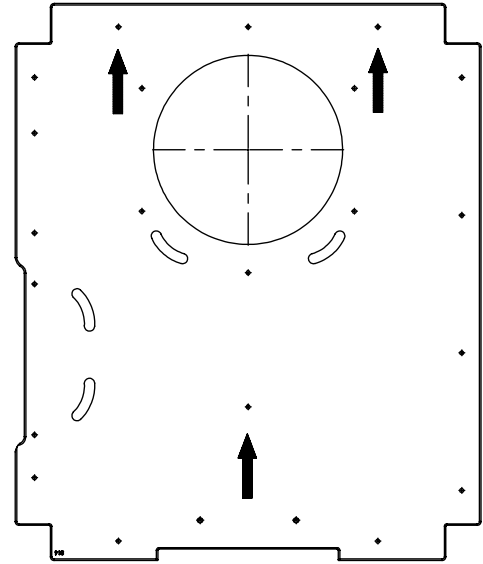
1 x CR45 (S3)
1 x CR45
1 x CR68



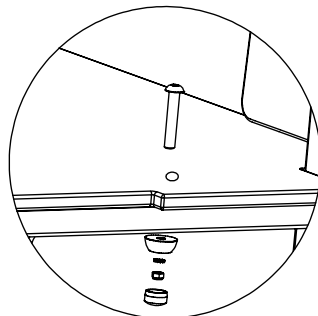
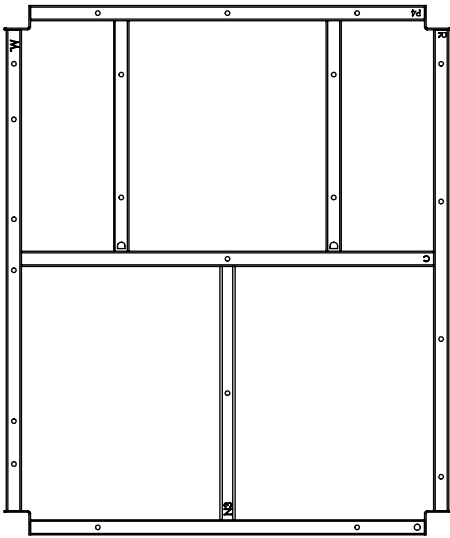
0301S3



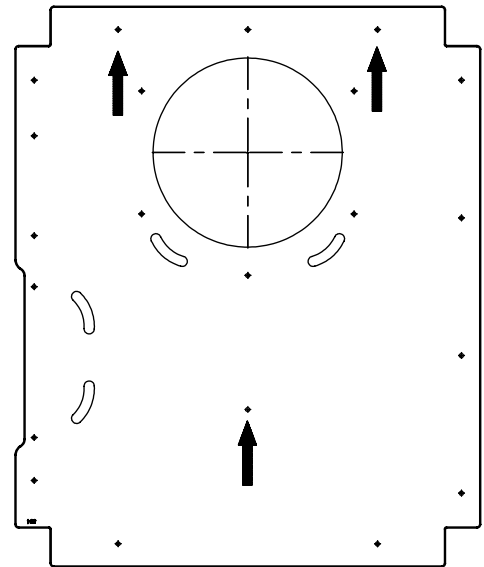
1 x CR45
1 x CR68



0301S1

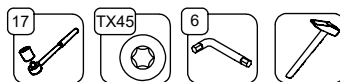


1 x CR45
1 x CR68

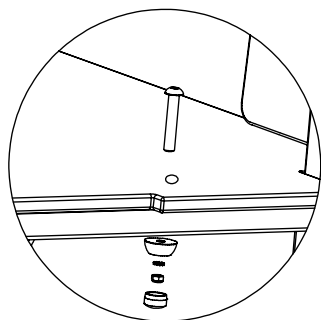
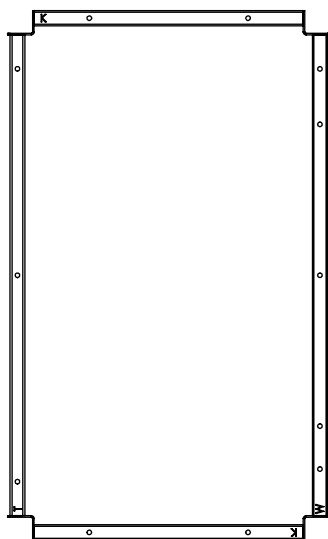


0301S2

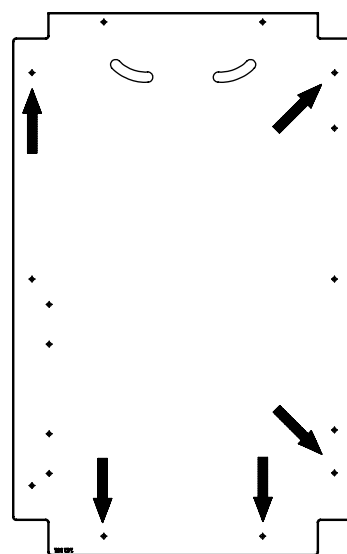
[cm] **W1**



vinci
play



1 x CR68
2 x CR45

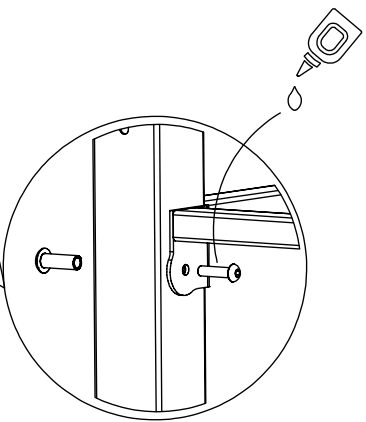
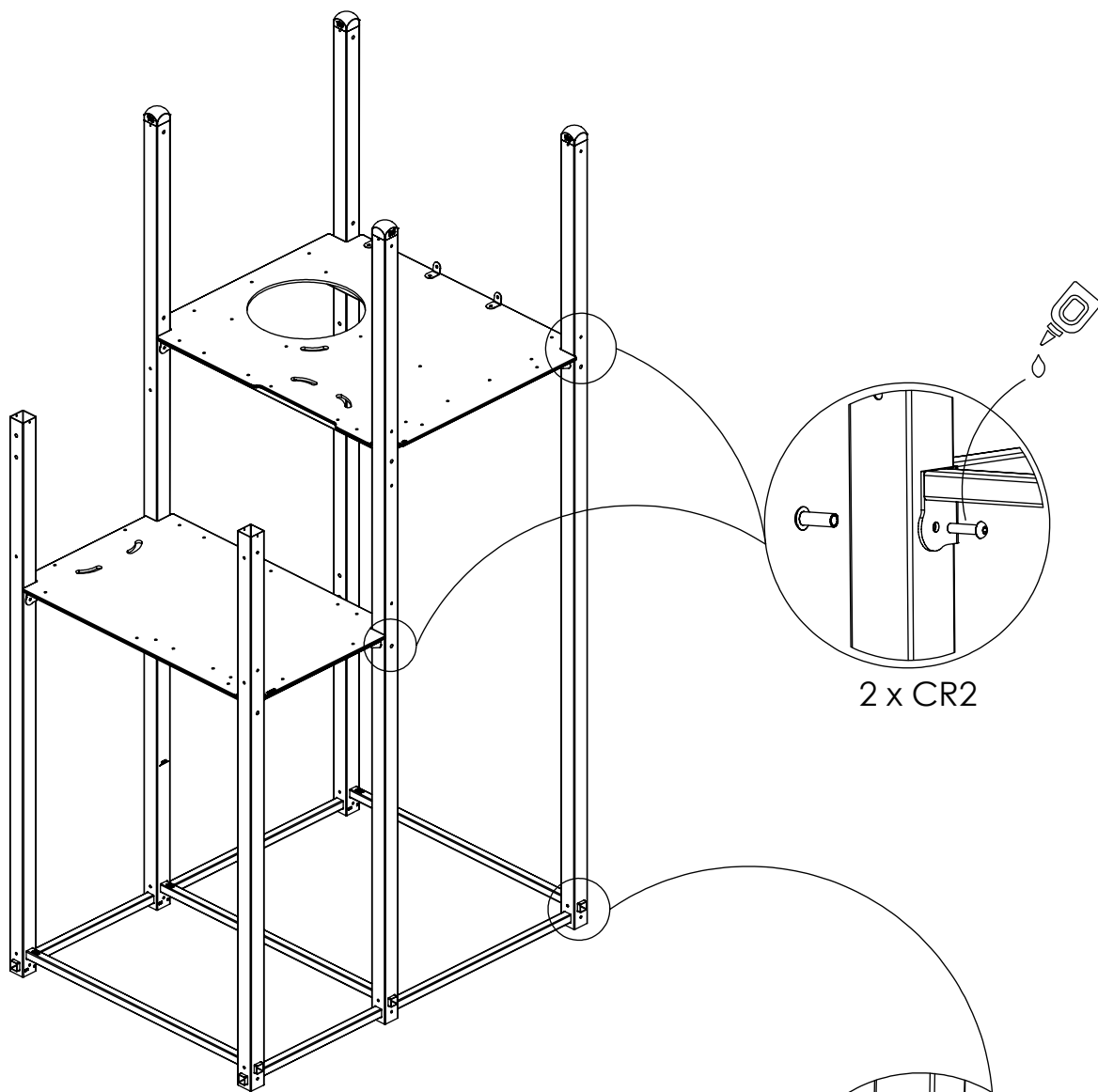


[cm]

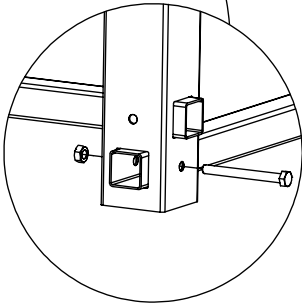
W1



vinci
play

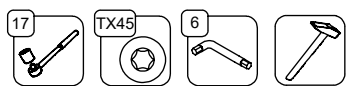


2 x CR2

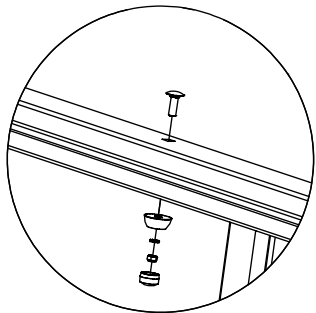


3 x CR1

[cm] **W1**



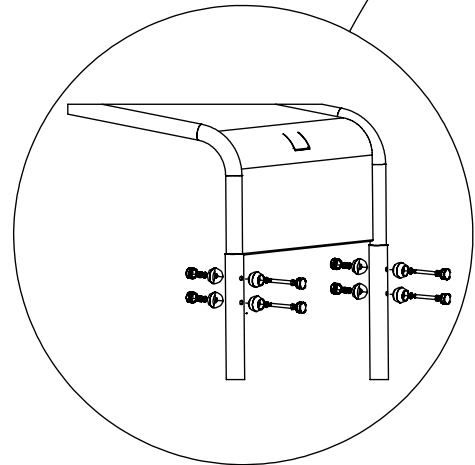
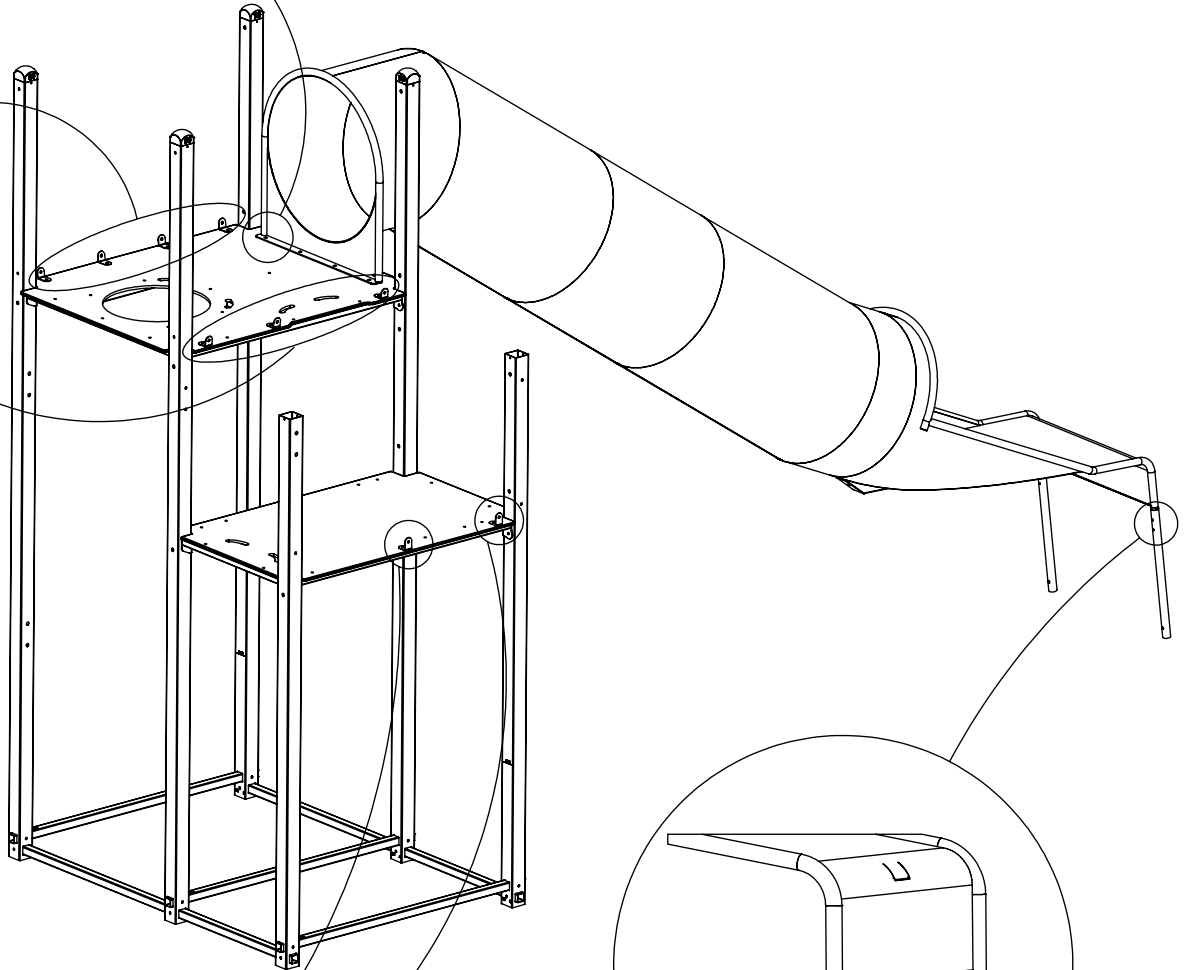
vinci
play



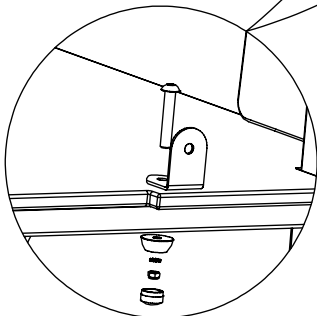
1 x CR8

1 x CR3

1 x CR4



1x **30e010**

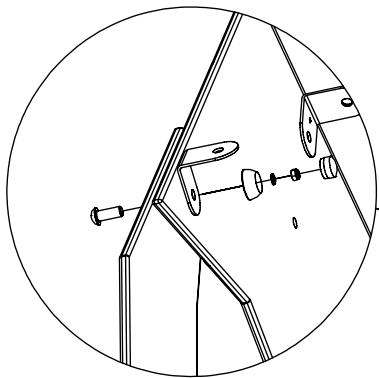


2 x CR6

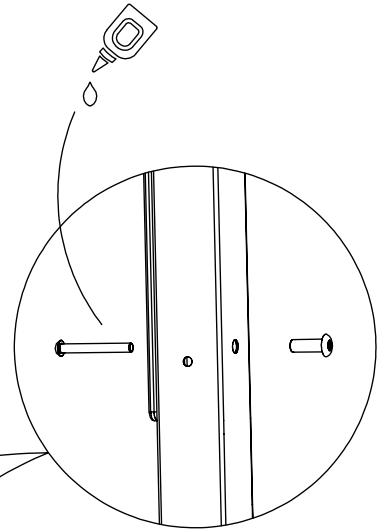
[cm] **W1**



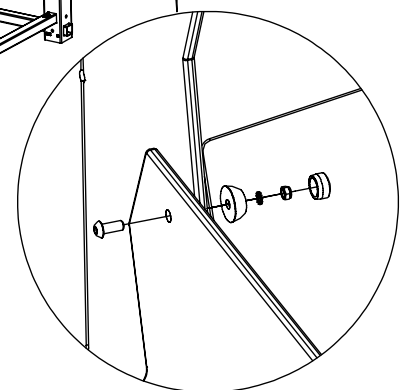
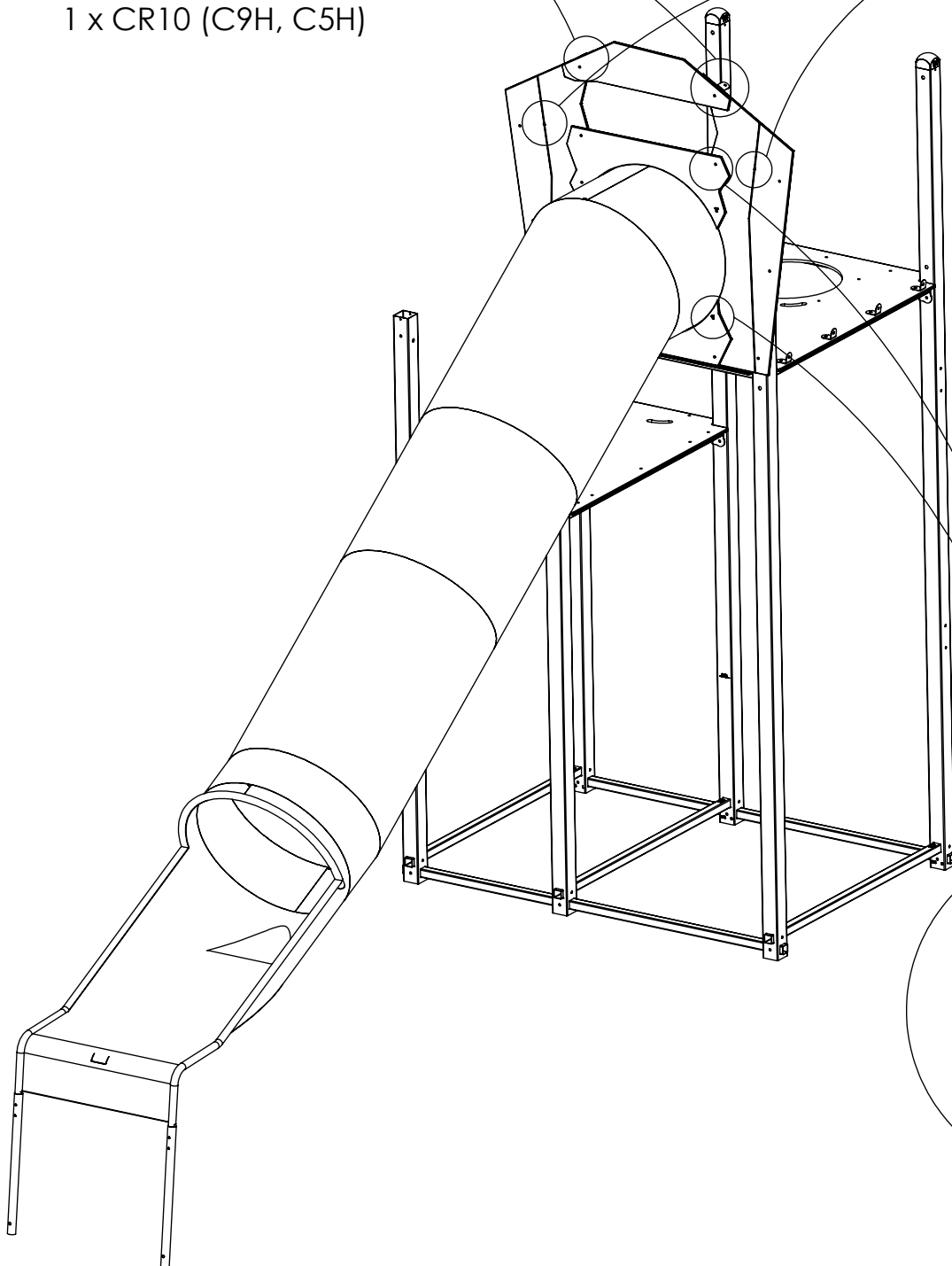
vinci
play



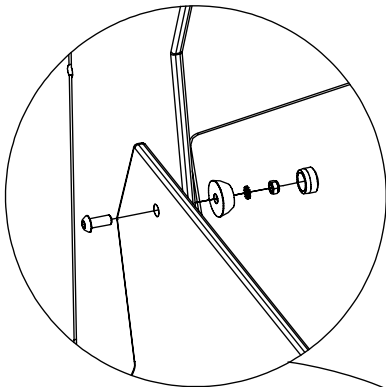
1 x CR10 (C9H, C5H)



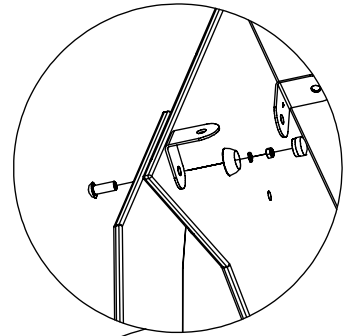
1 x CR2



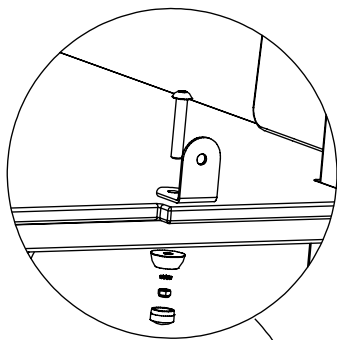
4 x CR24 (C9H)
4 x CR22 (C5H)



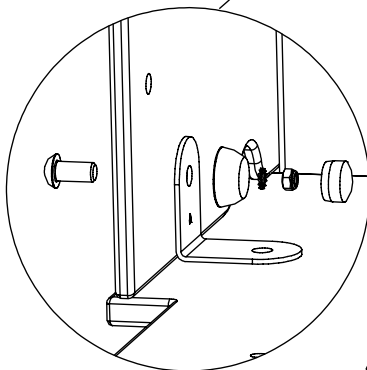
1 x CR24 (C9H)
1 x CR22 (C5H)



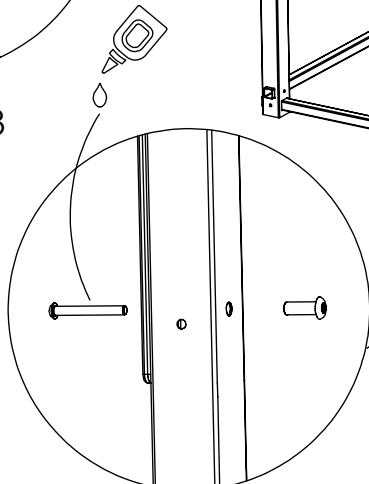
1 x CR10 (C9H, C5H)



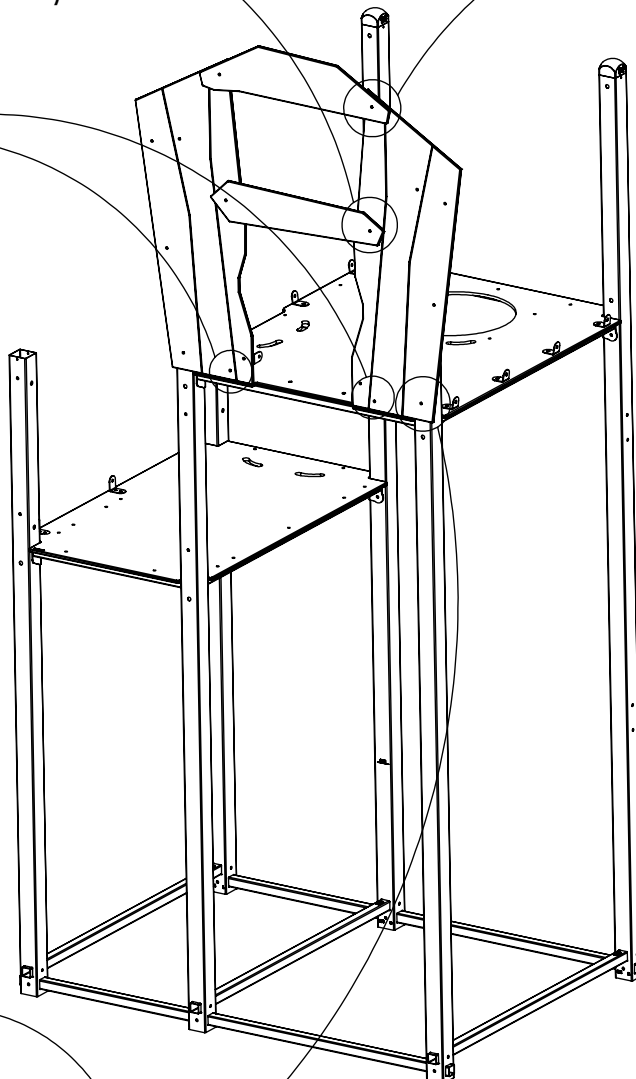
1 x CR7



1 x CR18

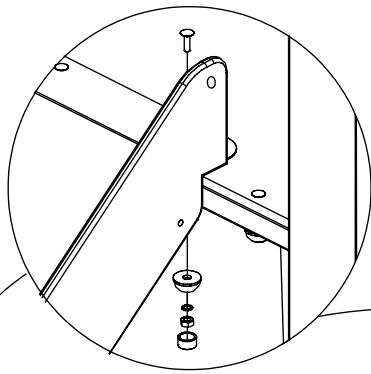
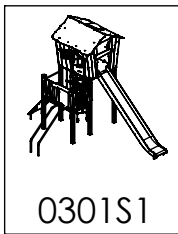


1 x CR2

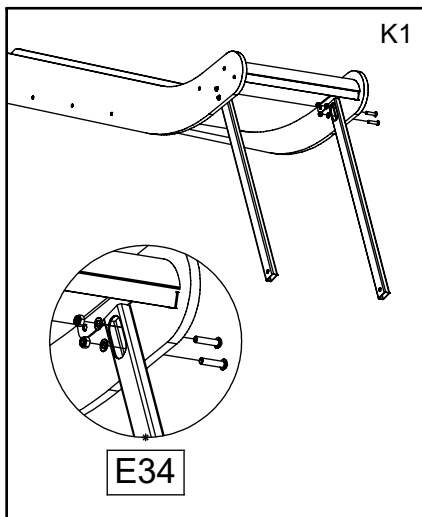
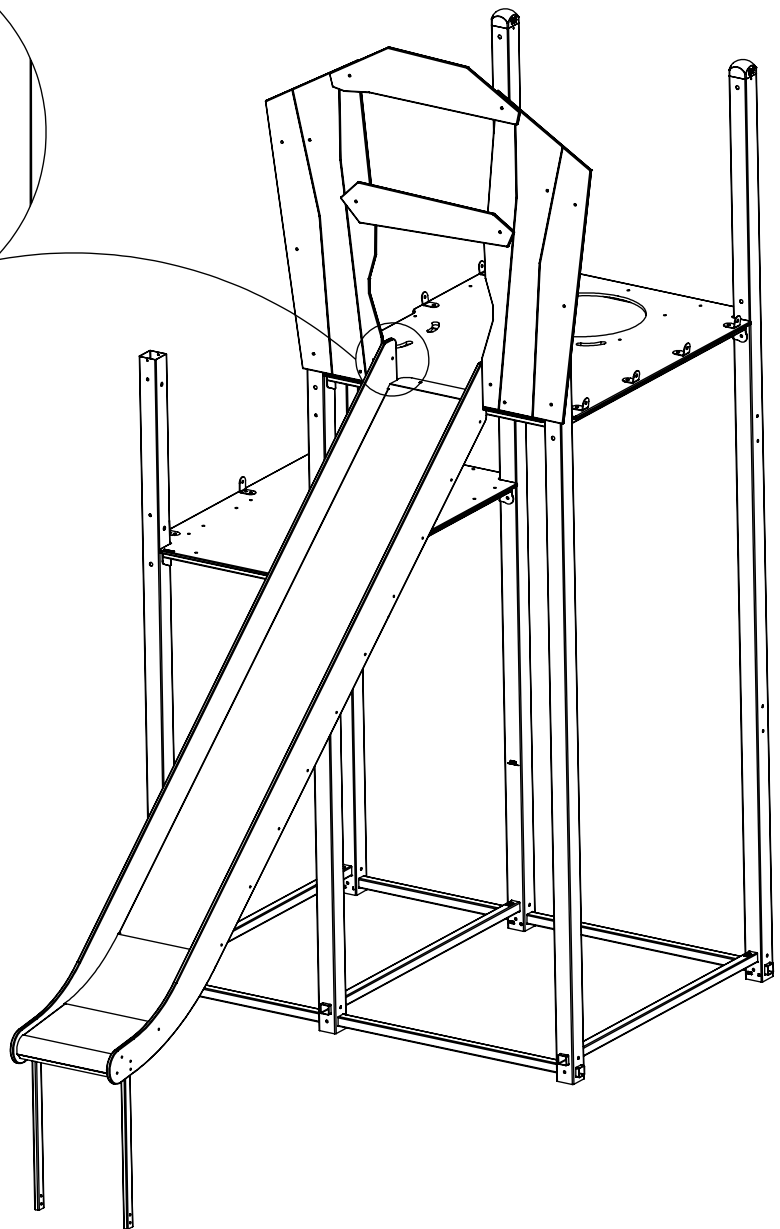
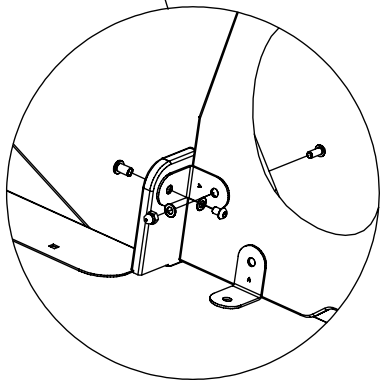


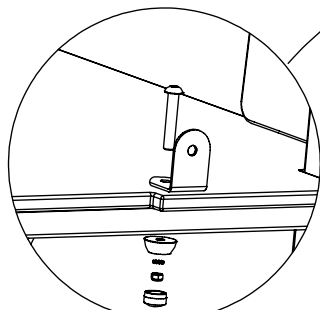
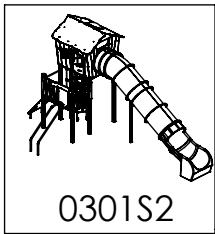
[cm] **W1**

vinci
play

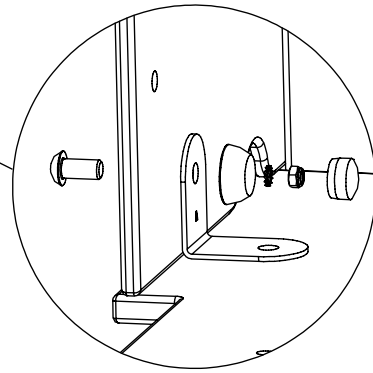


1 x CR29 (S1)
1 x CR89 (S6)

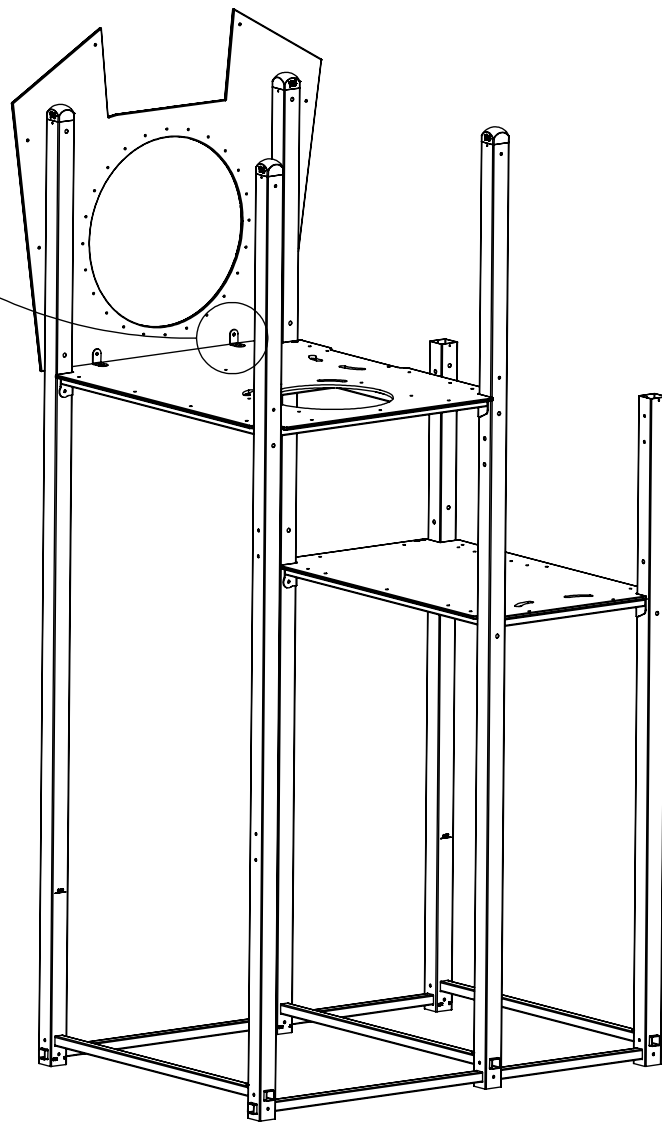


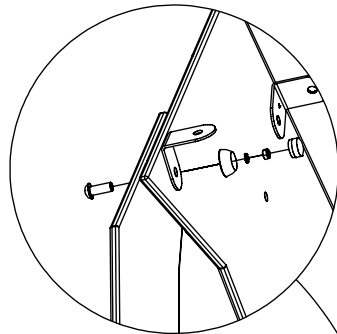
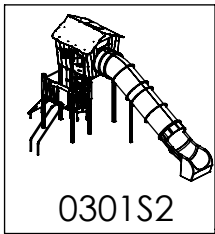


1 x CR7

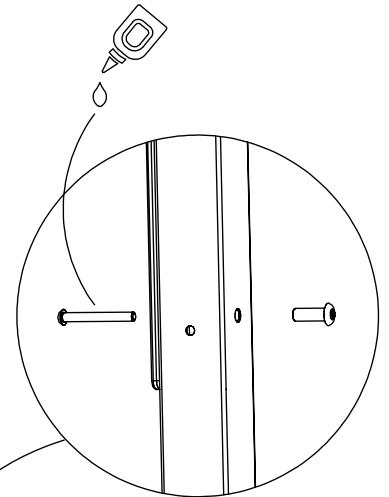


1 x CR18

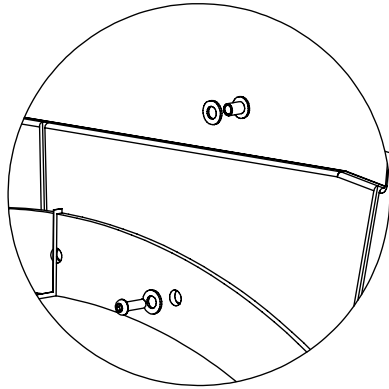




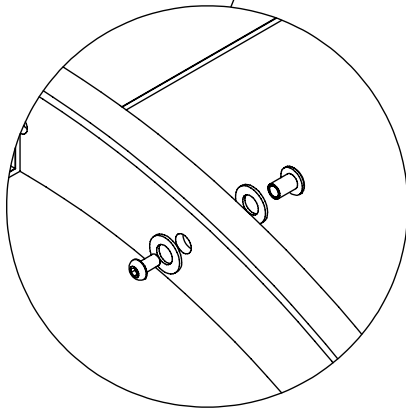
1 x CR10



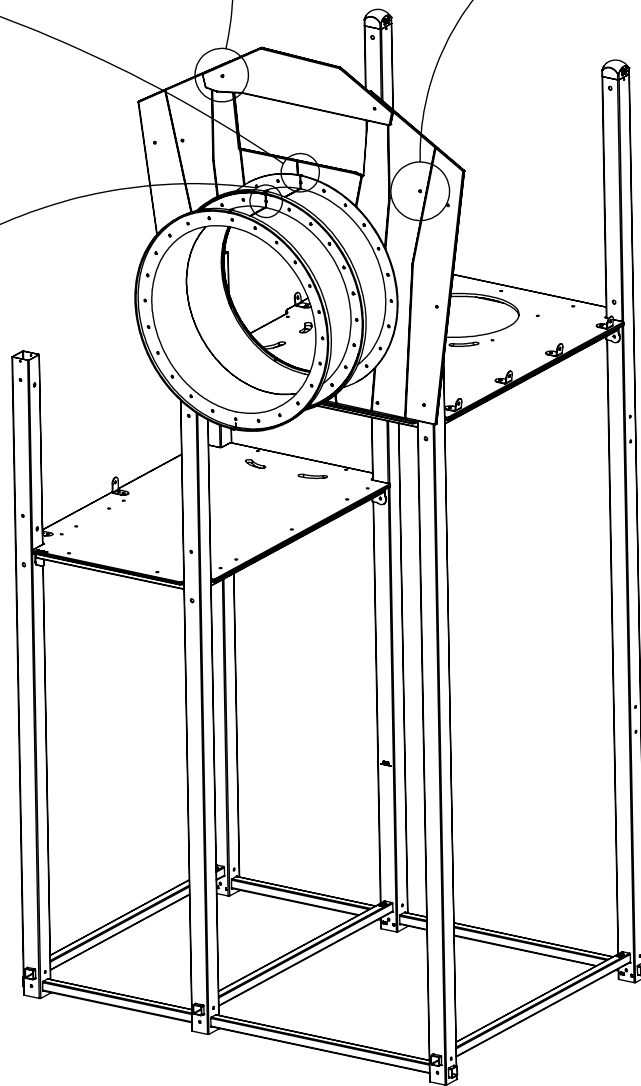
1 x CR2

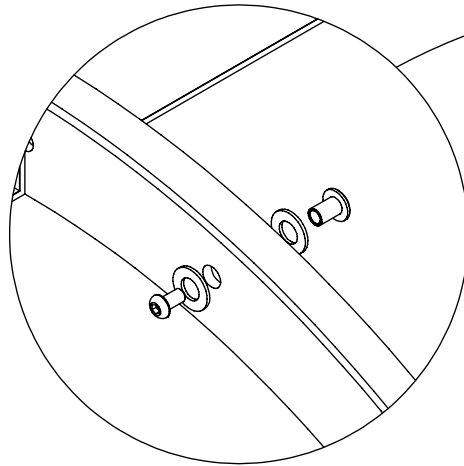
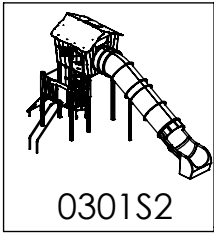


1 x 30c157

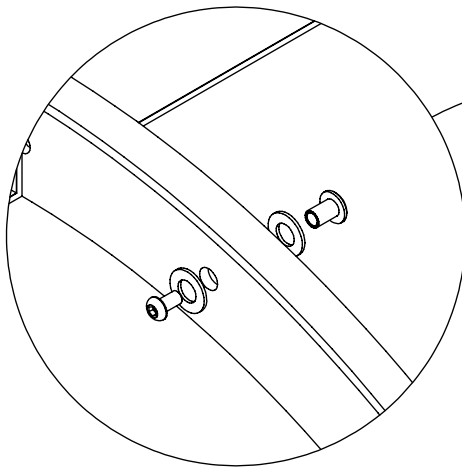
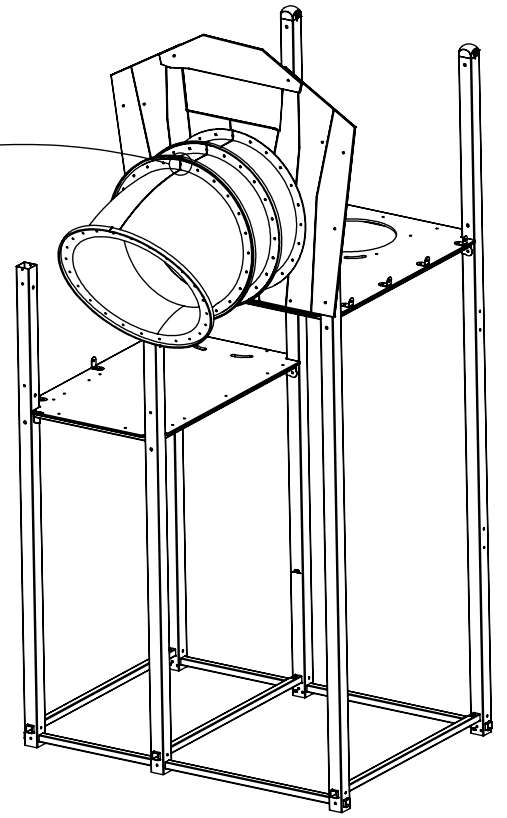


1 x 30e090

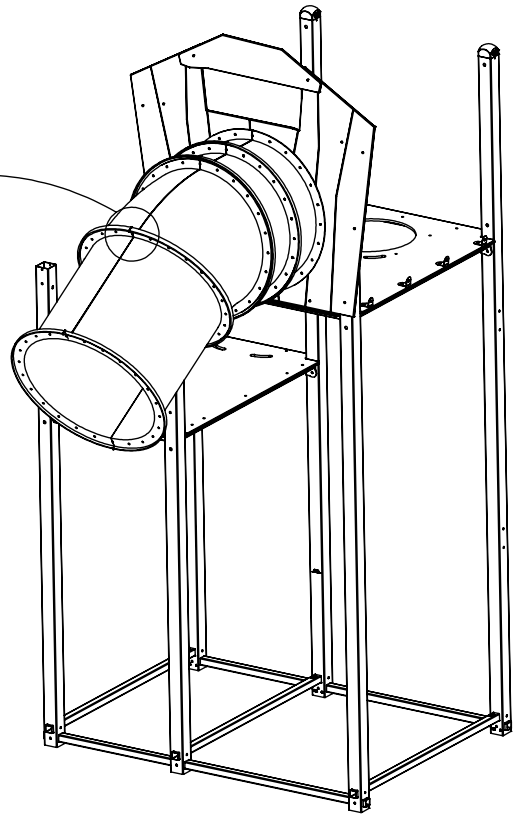


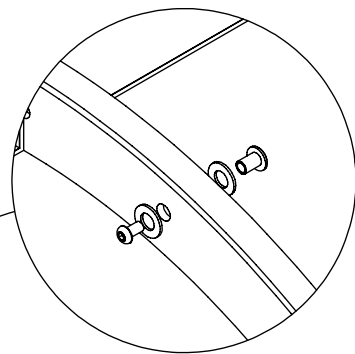
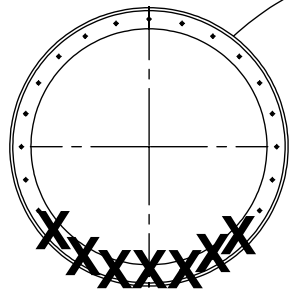
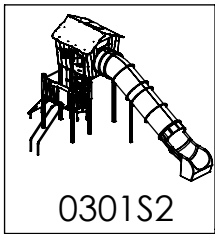


1x 30e090

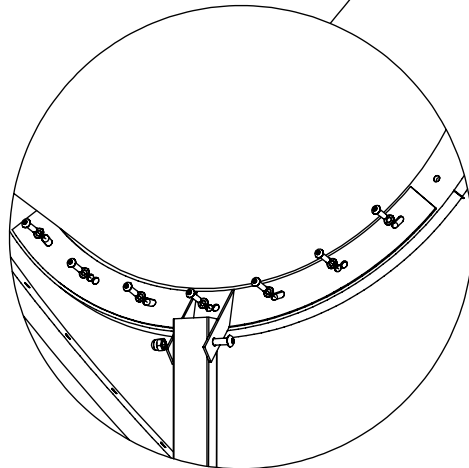


1x 30e090



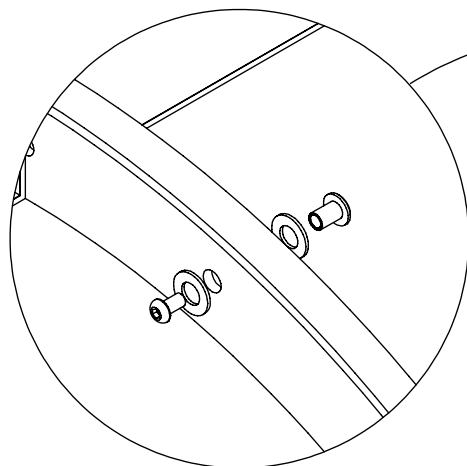
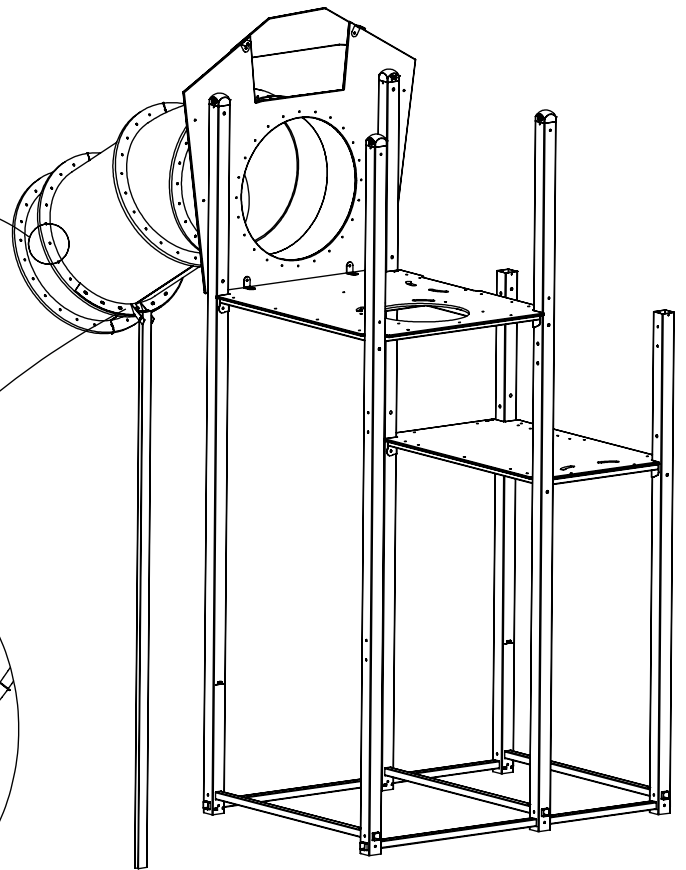


1x 30e095

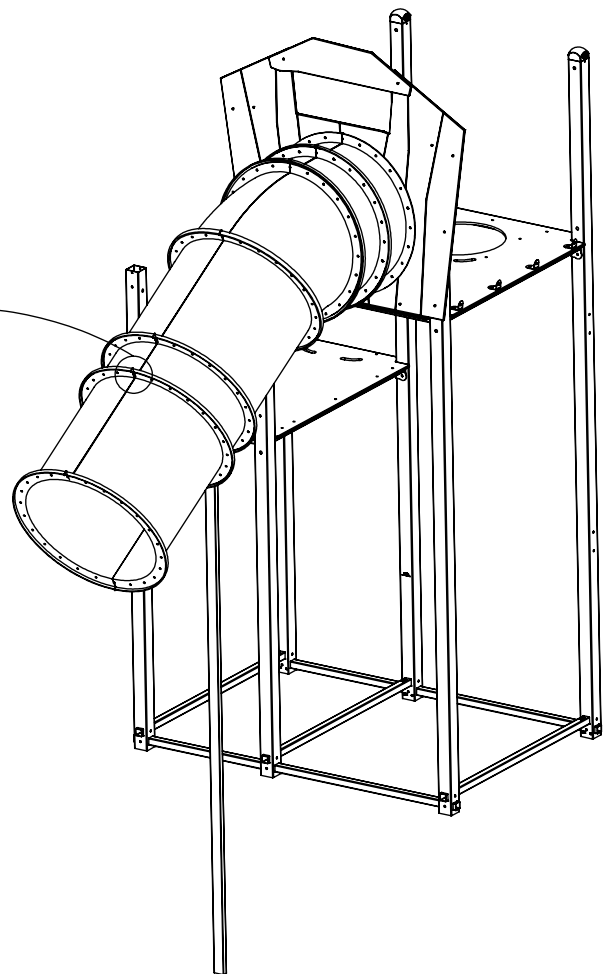


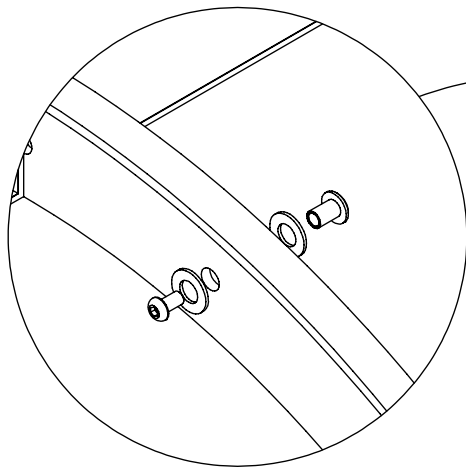
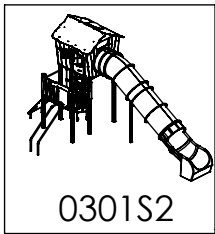
1x 30e093

1x 30e096

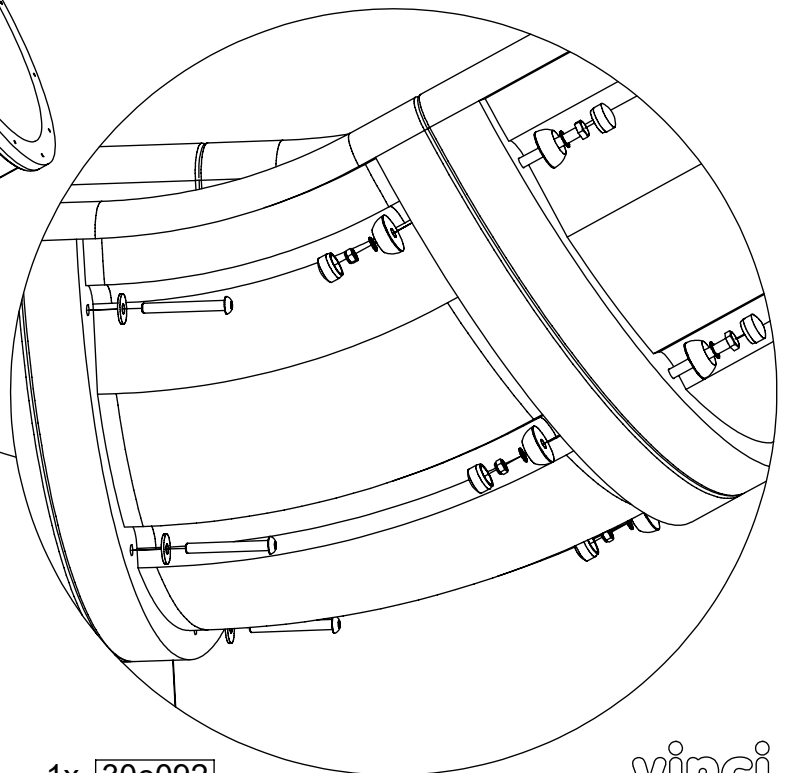
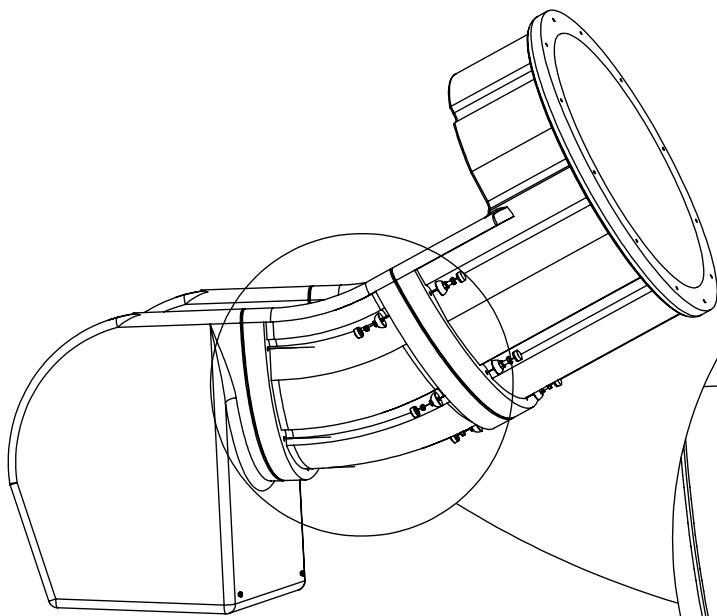
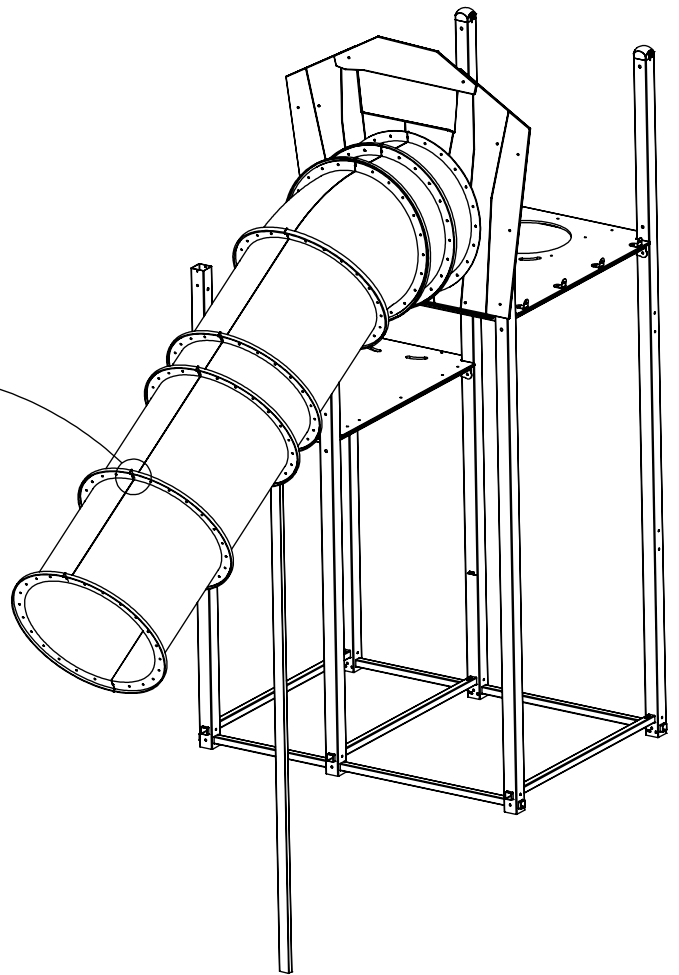


1x 30e090





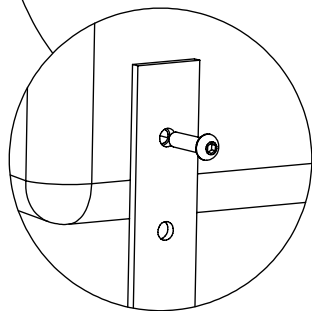
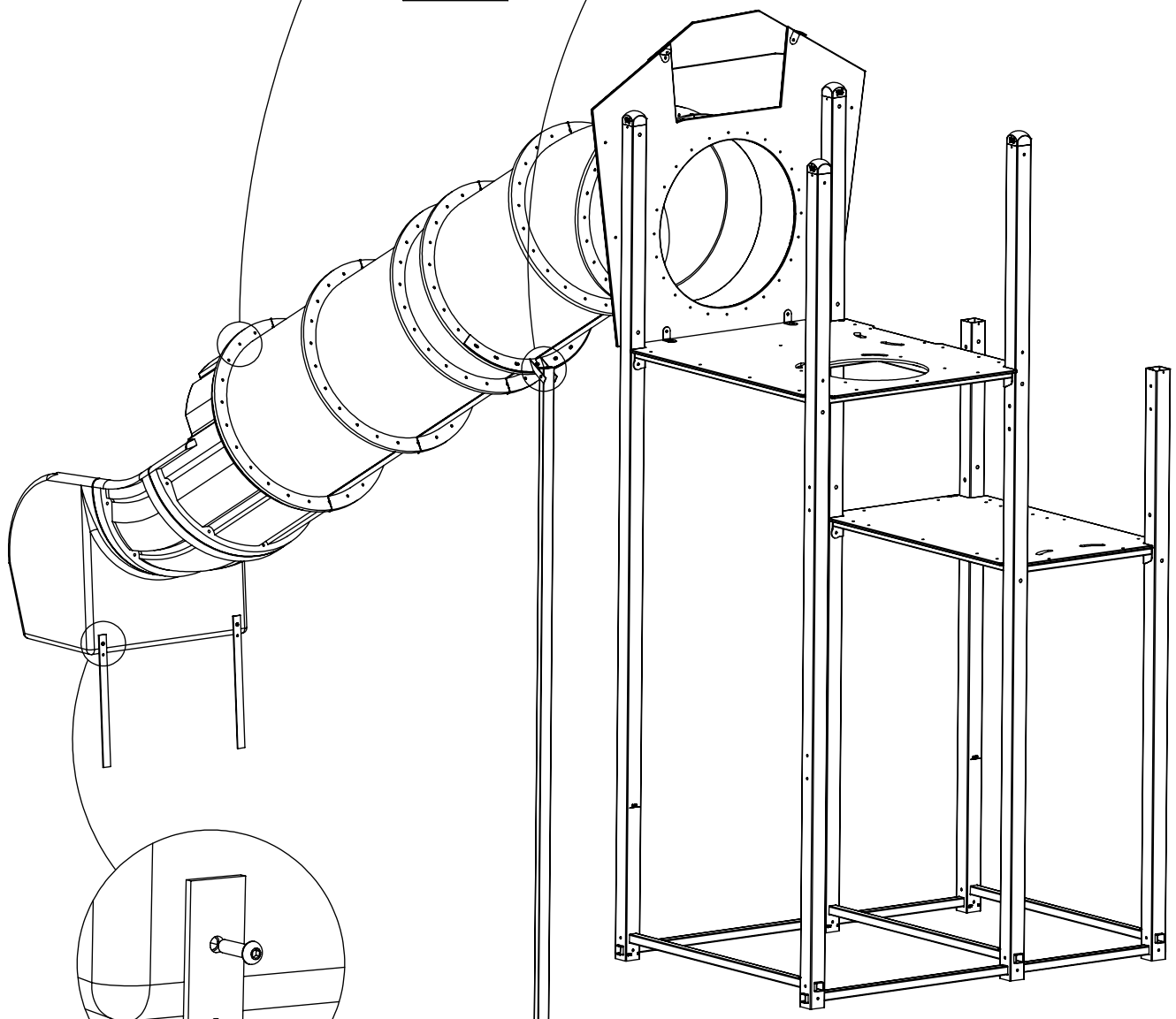
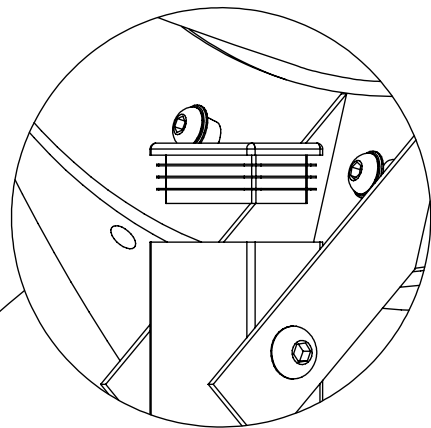
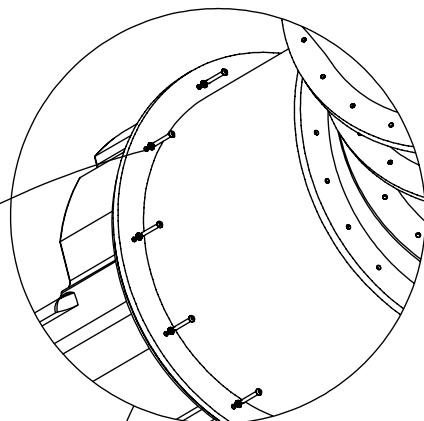
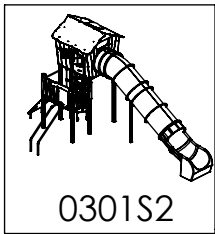
1x 30e090

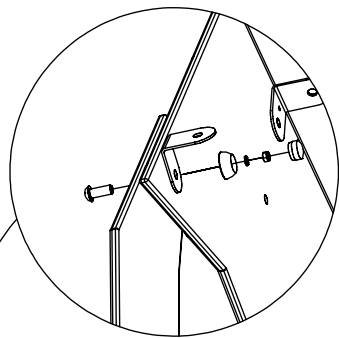


1x 30e092

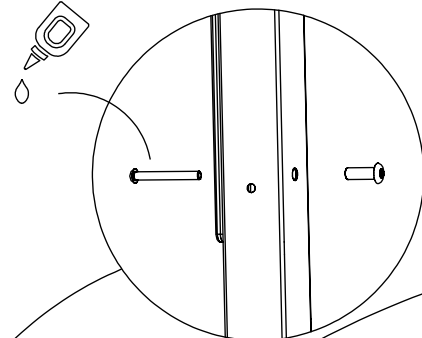
[cm] W1

vinci
play

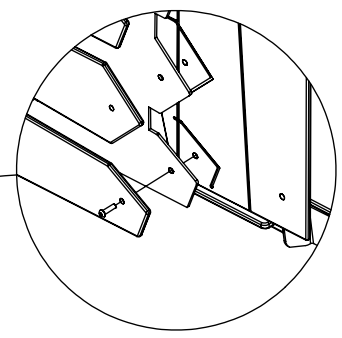




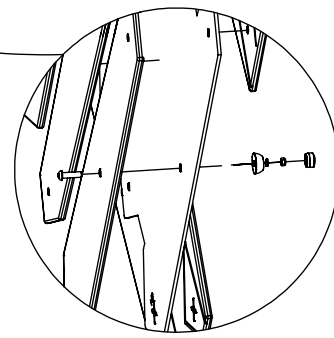
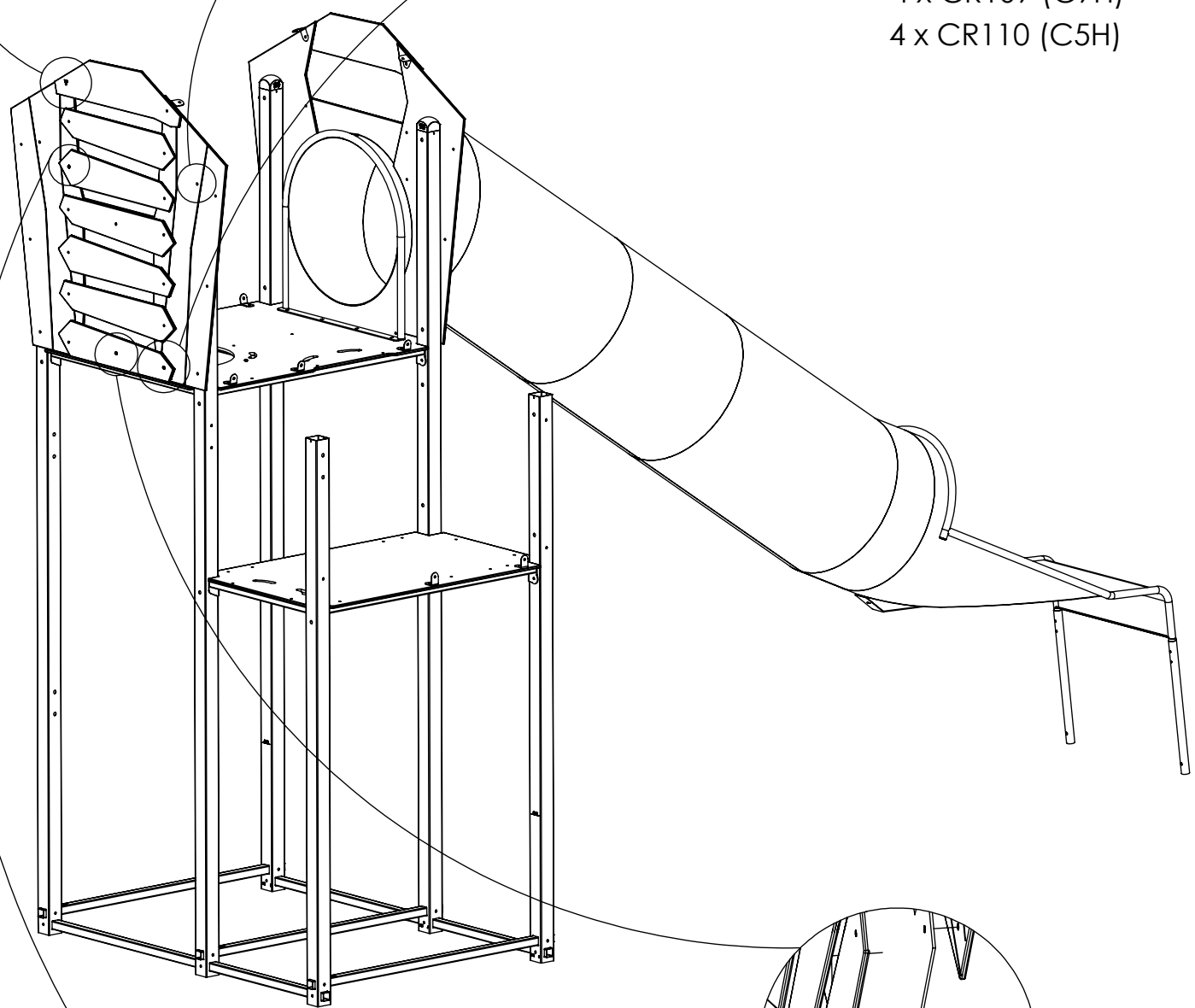
1 x CR10 (C9H, C5H)



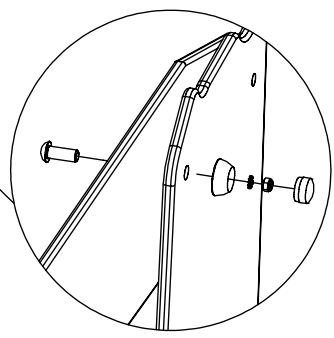
1 x CR2



4 x CR109 (C9H)
4 x CR110 (C5H)

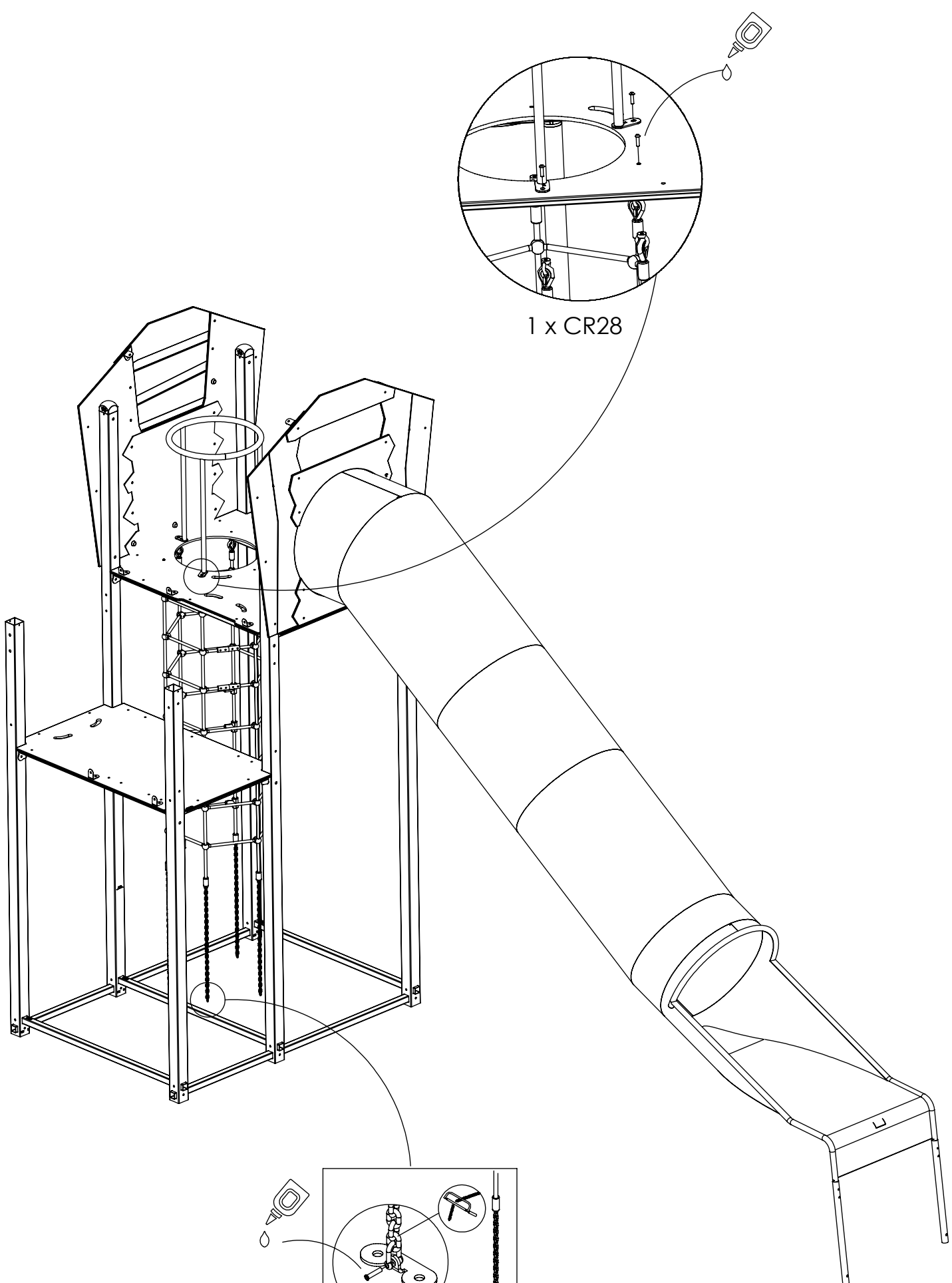


1 x CR111 (C9H)
1 x CR112 (C5H)



2 x CR24 (C9H)
2 x CR22 (C5H)

[cm] **W1**

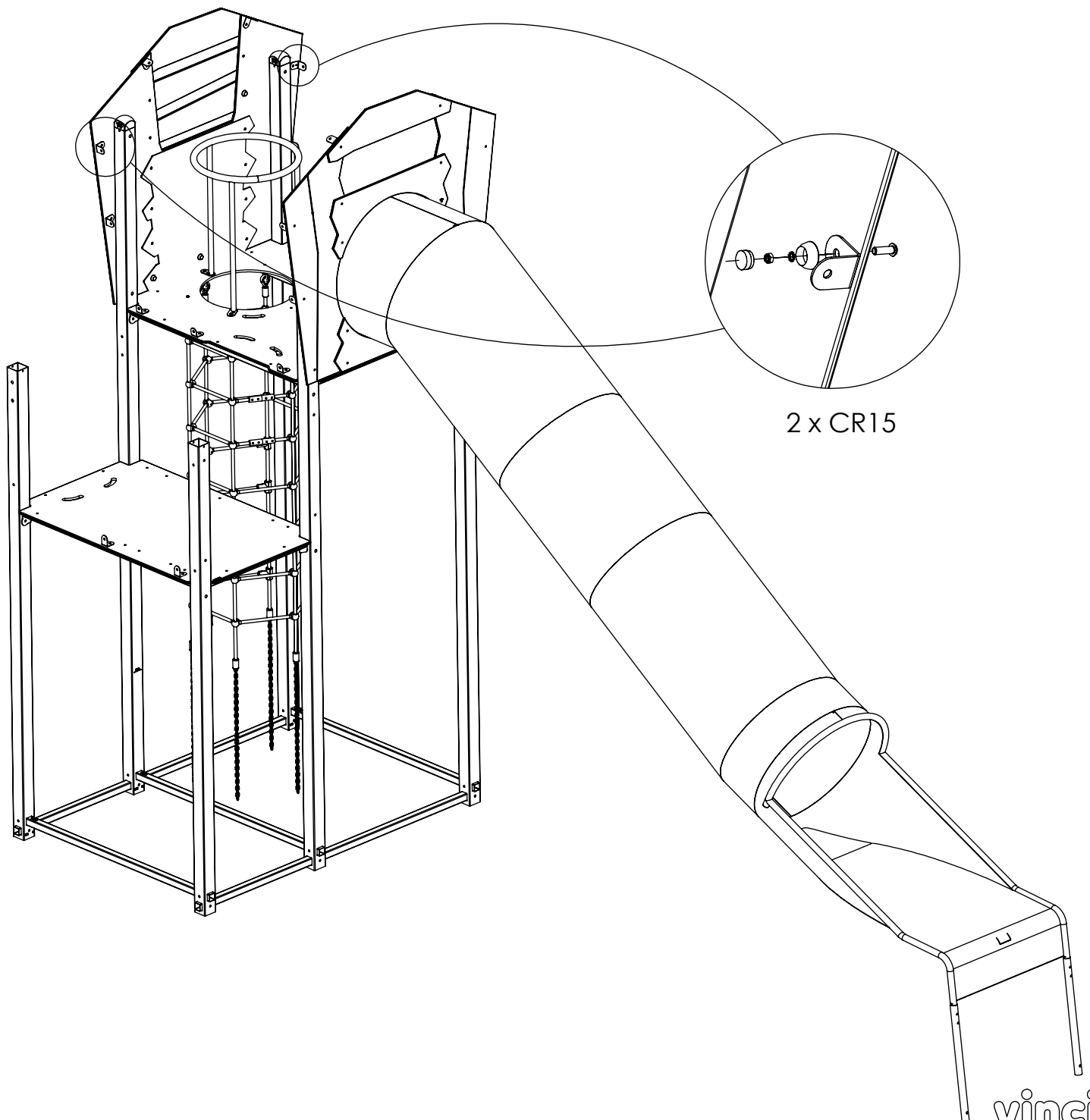
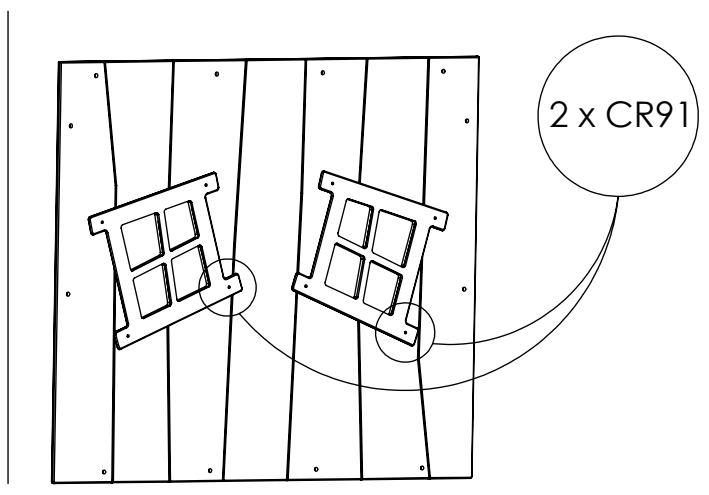
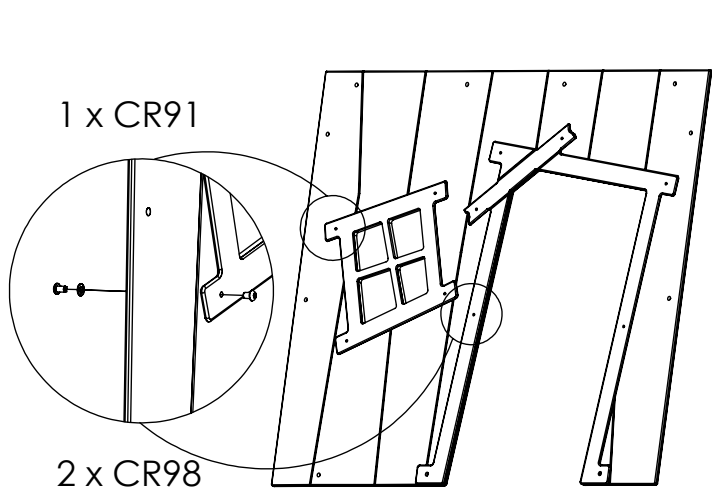


1 x CR28

6 x CR47

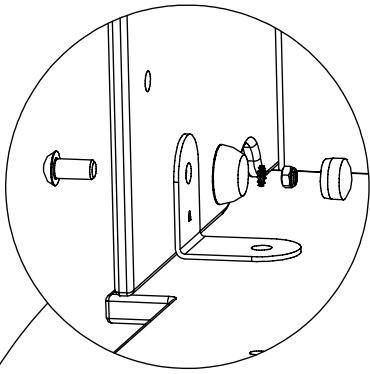
[cm] **W1**

vinci
play

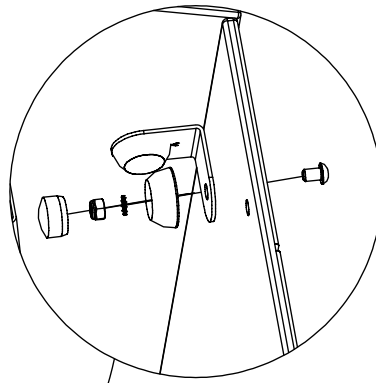


[cm] W1

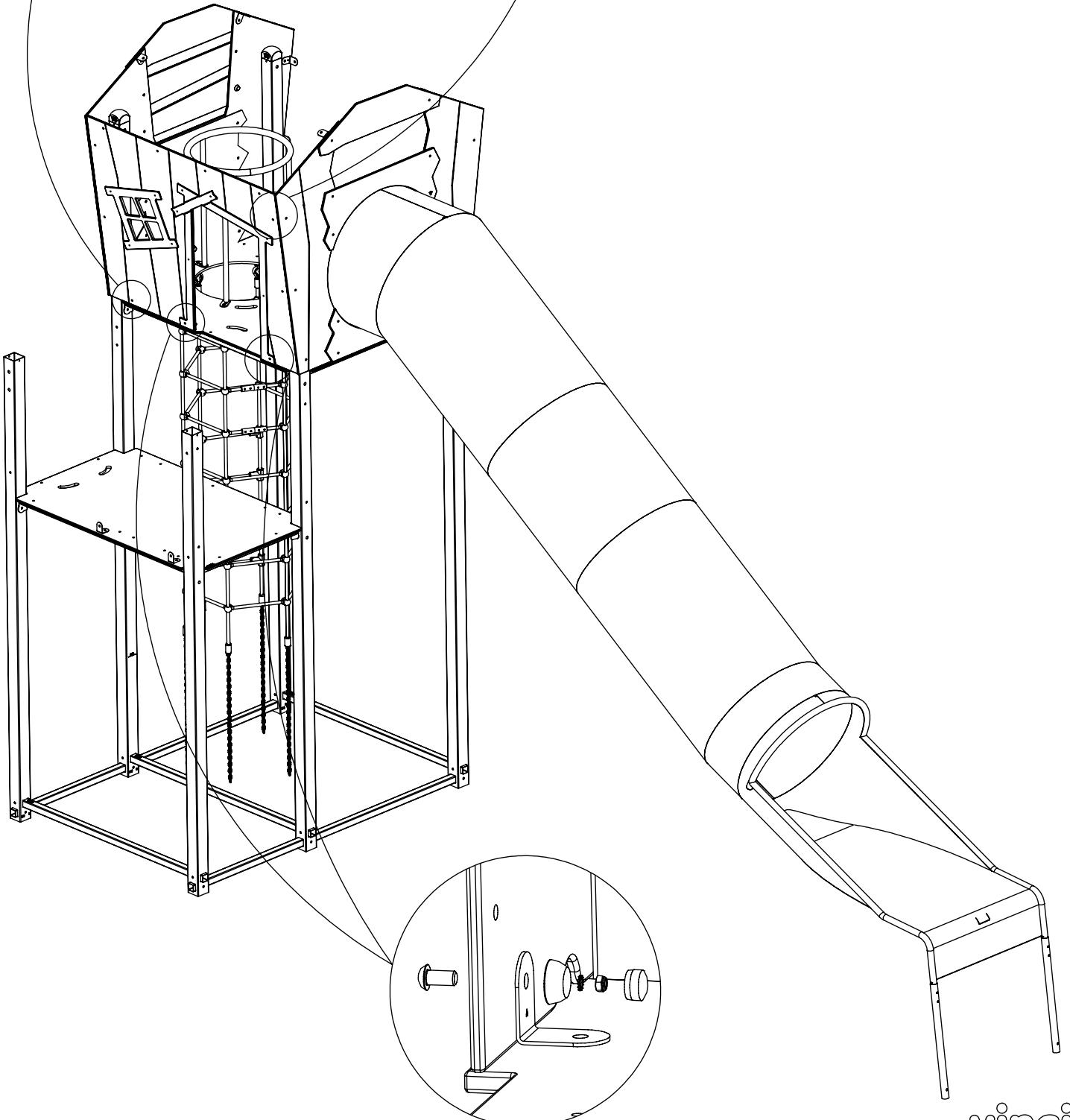
vinci
play



1 x CR17



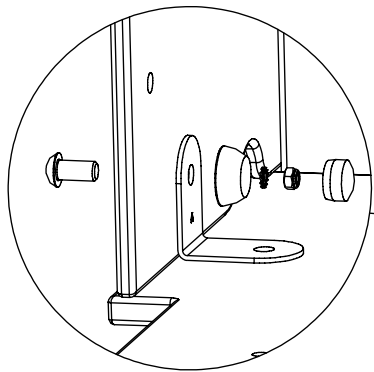
1 x CR20



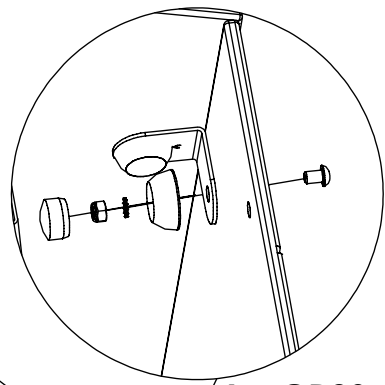
[cm] **W1**

1 x CR113

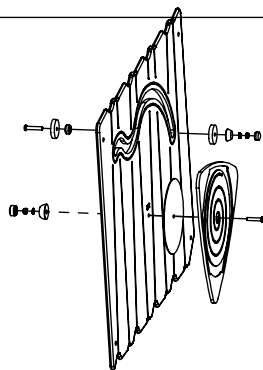
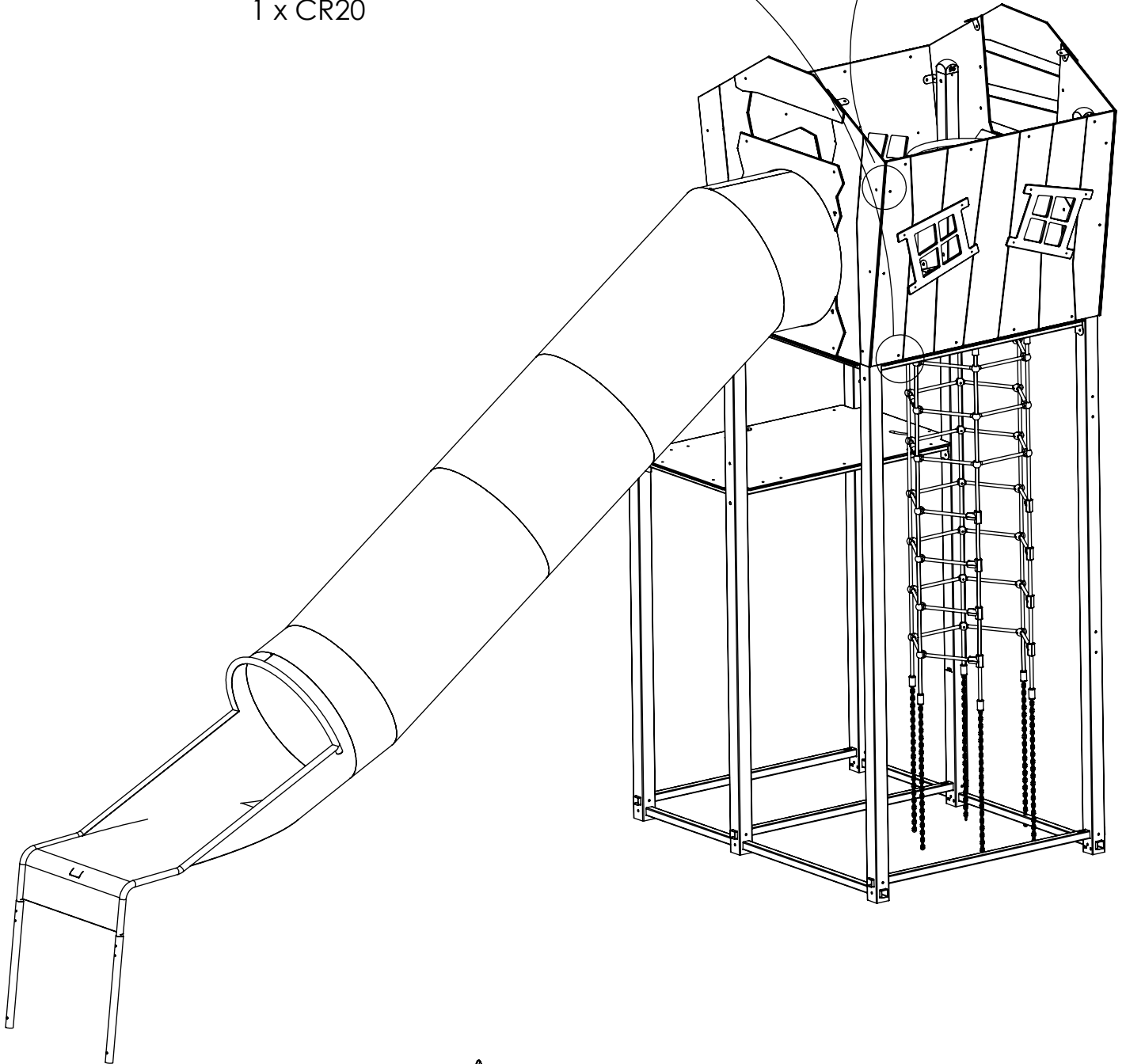
vinci
play



1 x CR20



1 x CR20

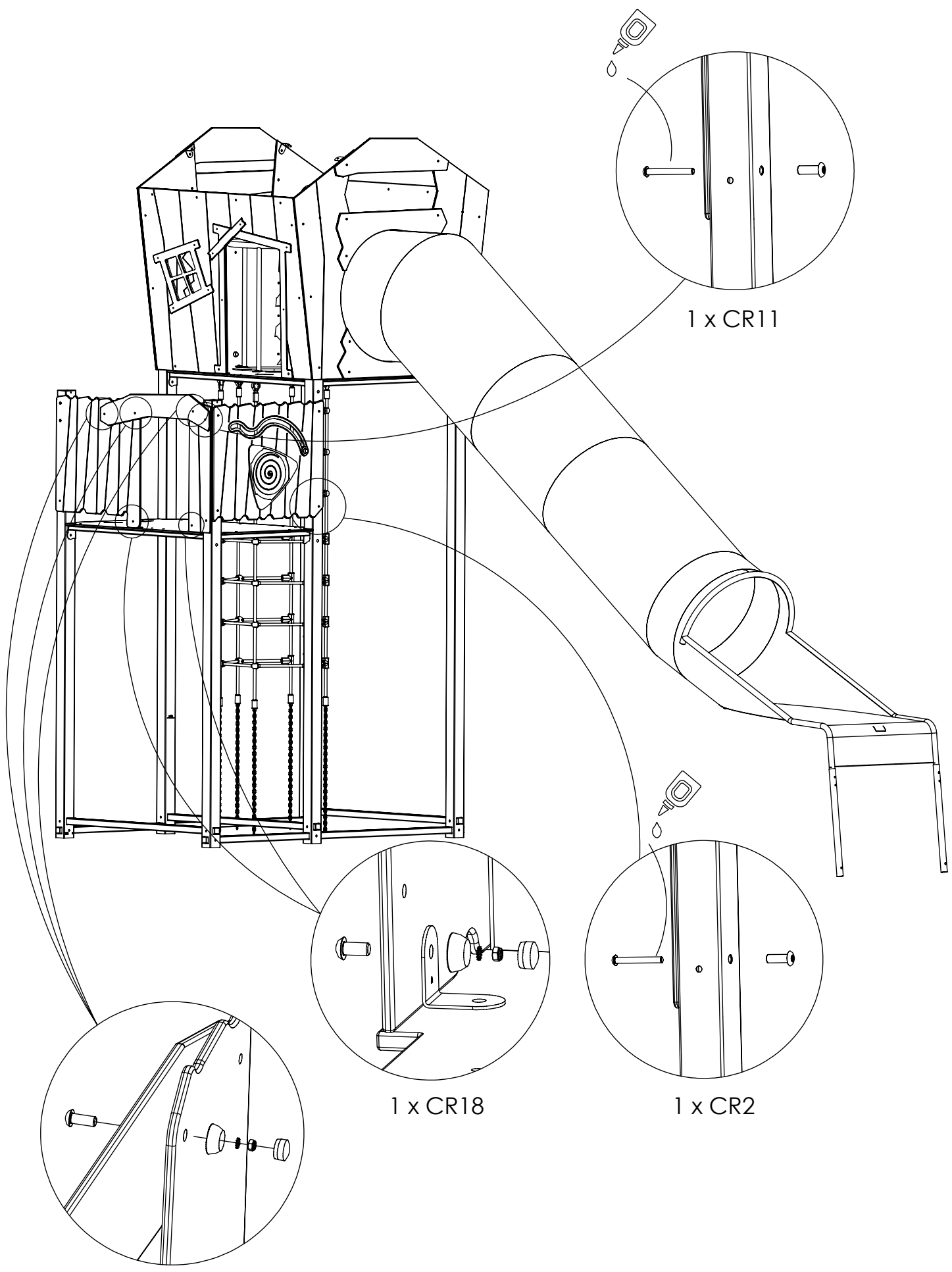


1 x CR33

1 x CR107 (C9H)
1 x CR108 (C5H)

[cm] **W1**

vinci
play



1 x CR11

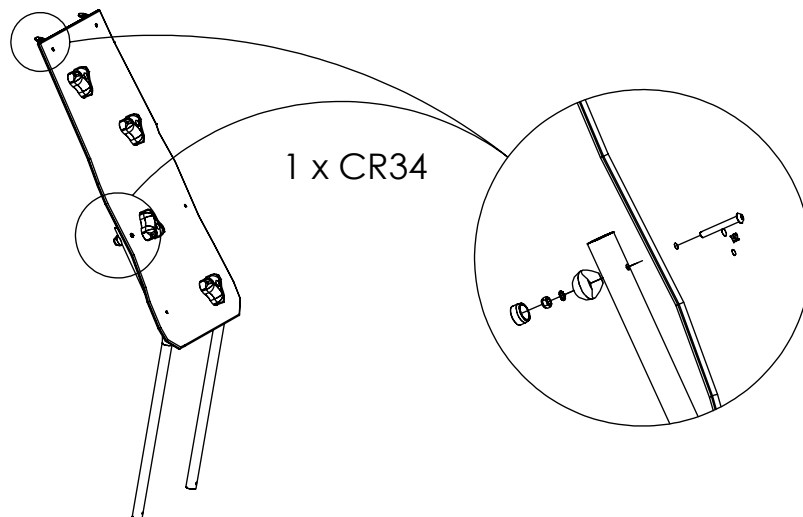
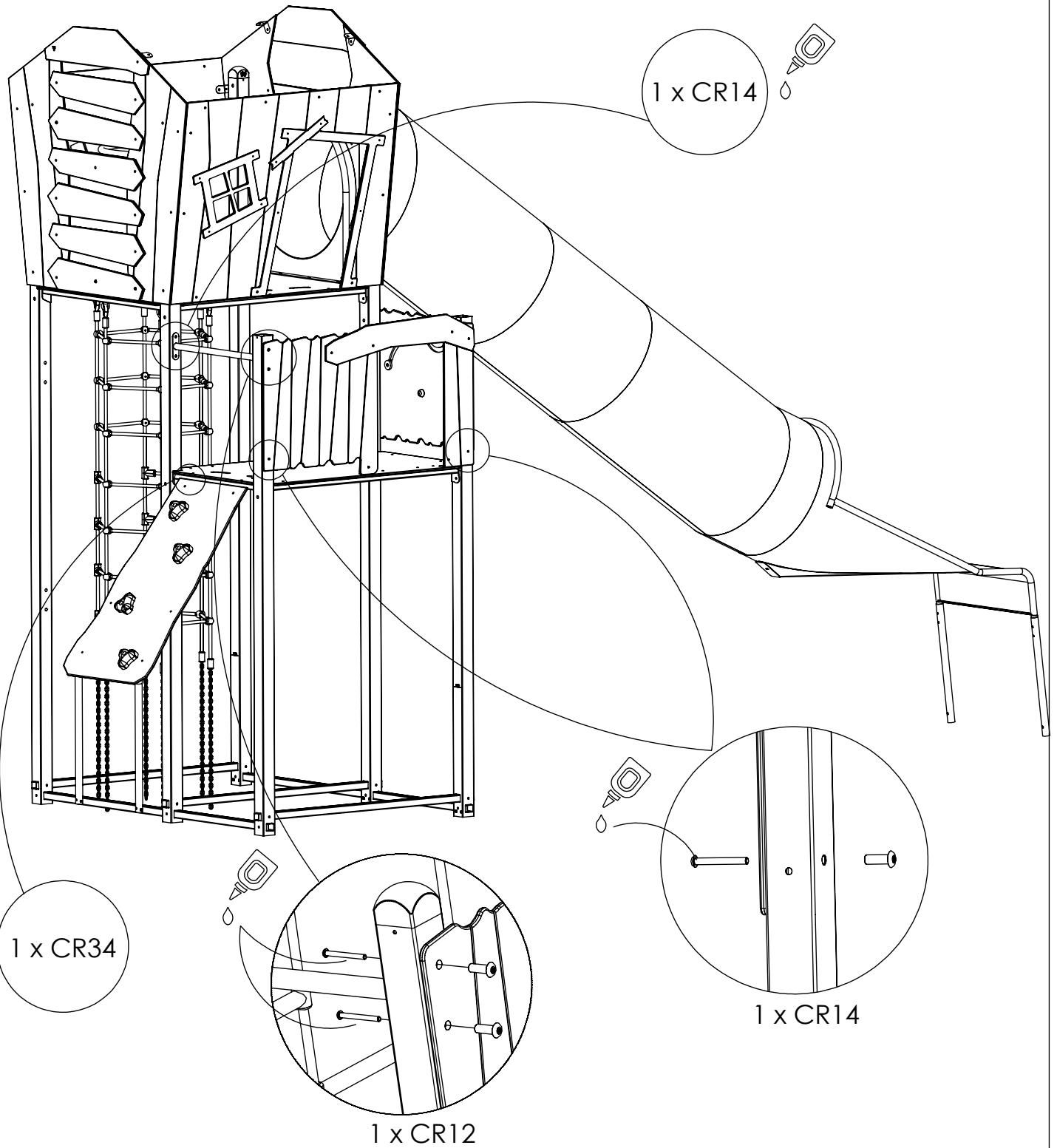
1 x CR18

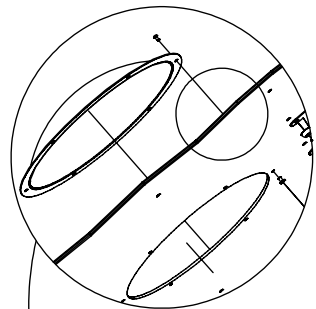
1 x CR2

1 x CR87 (C9H)
1 x CR23 (C5H)

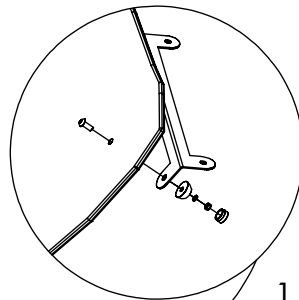
[cm] **W1**

vinci
play

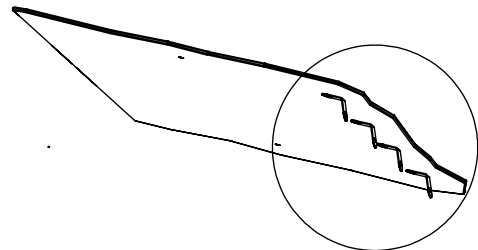
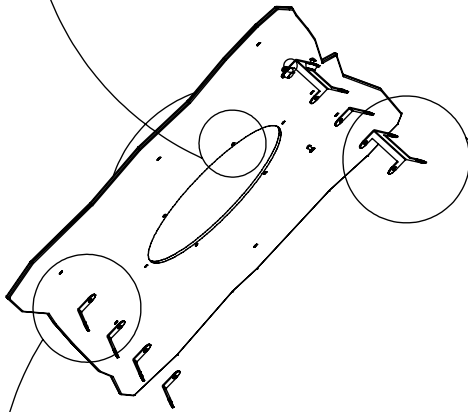




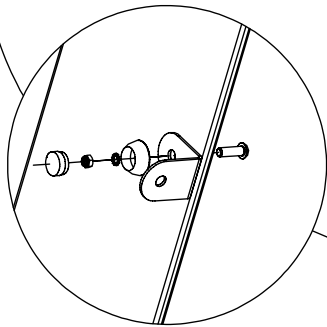
1 x CL9

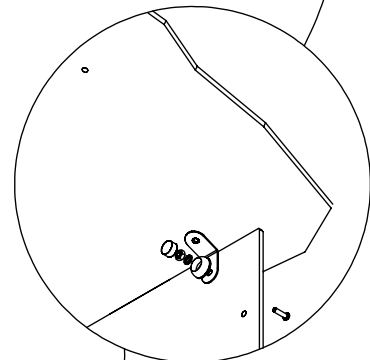
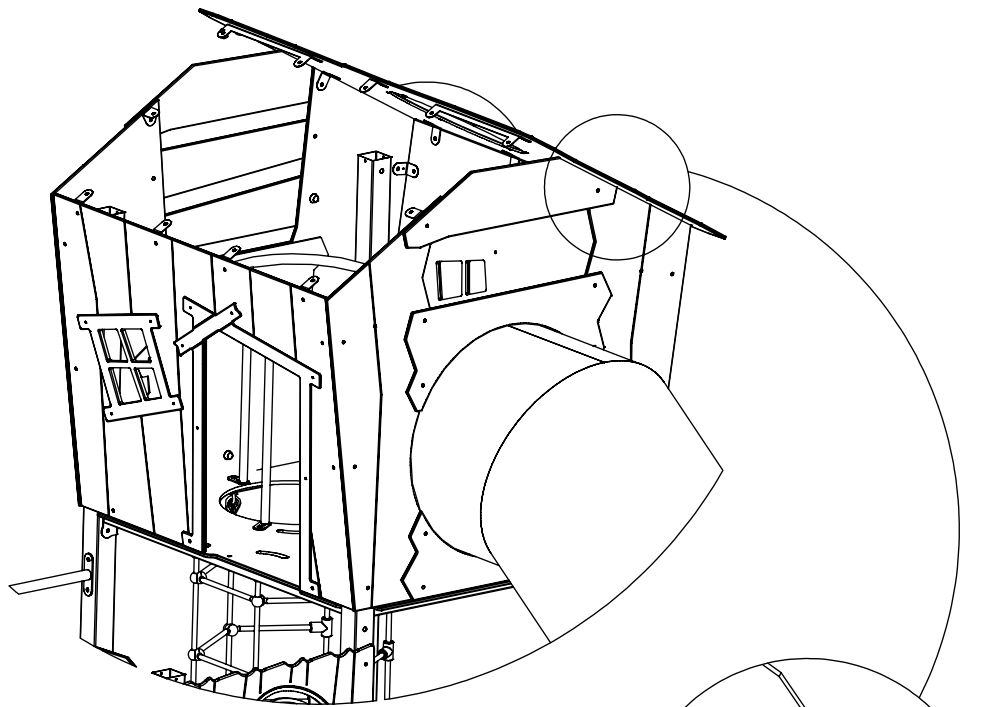


1 x CR25
1 x CR20
1 x CR17

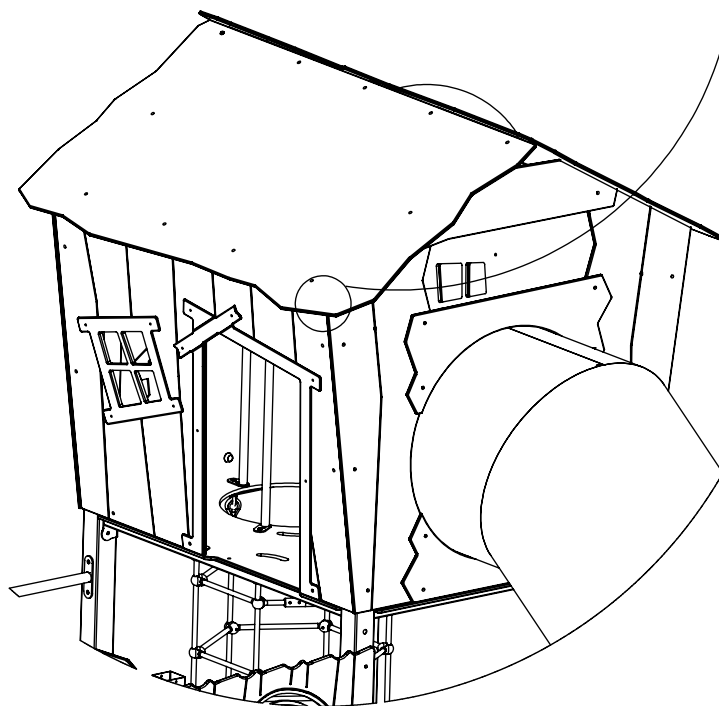


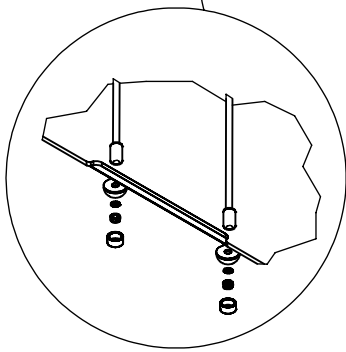
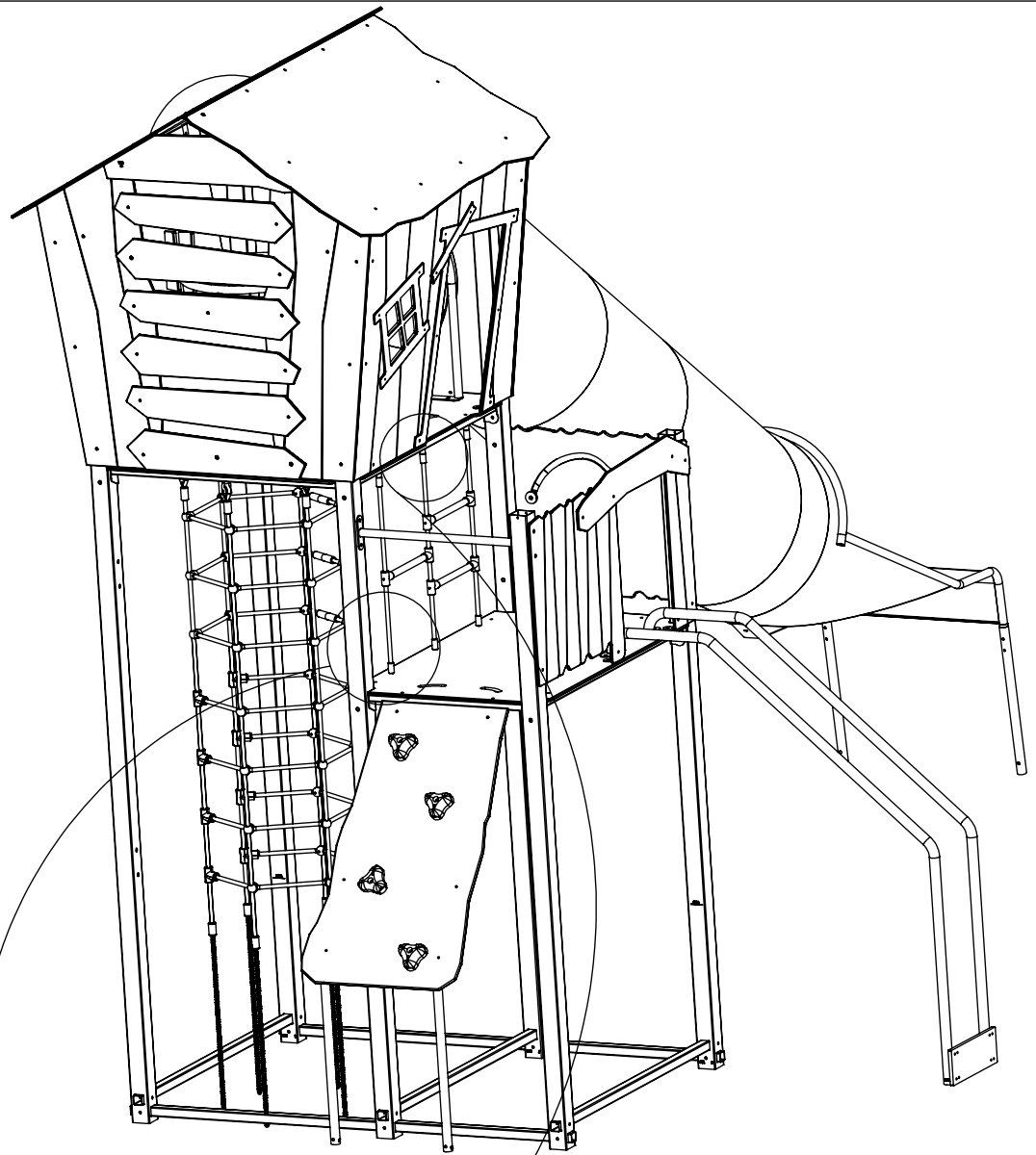
2 x CR40



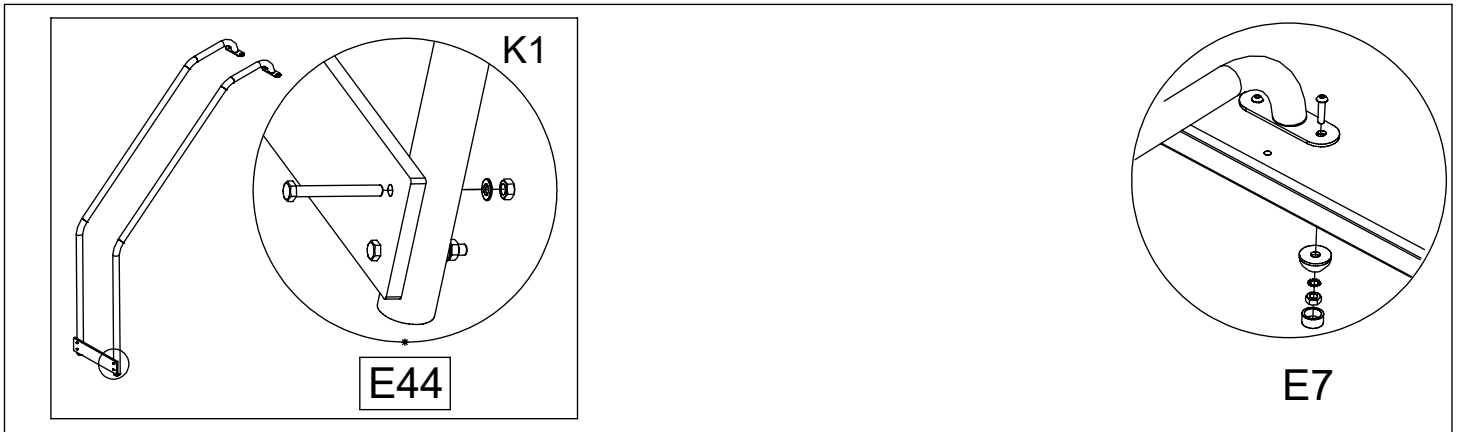
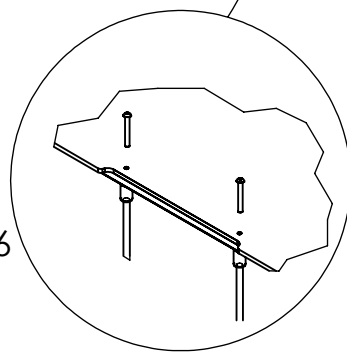


3 x CR20

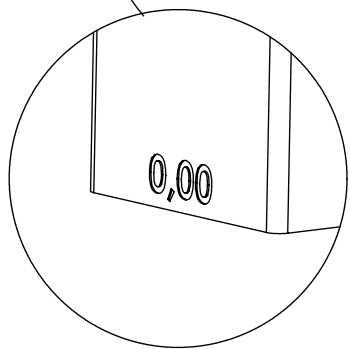
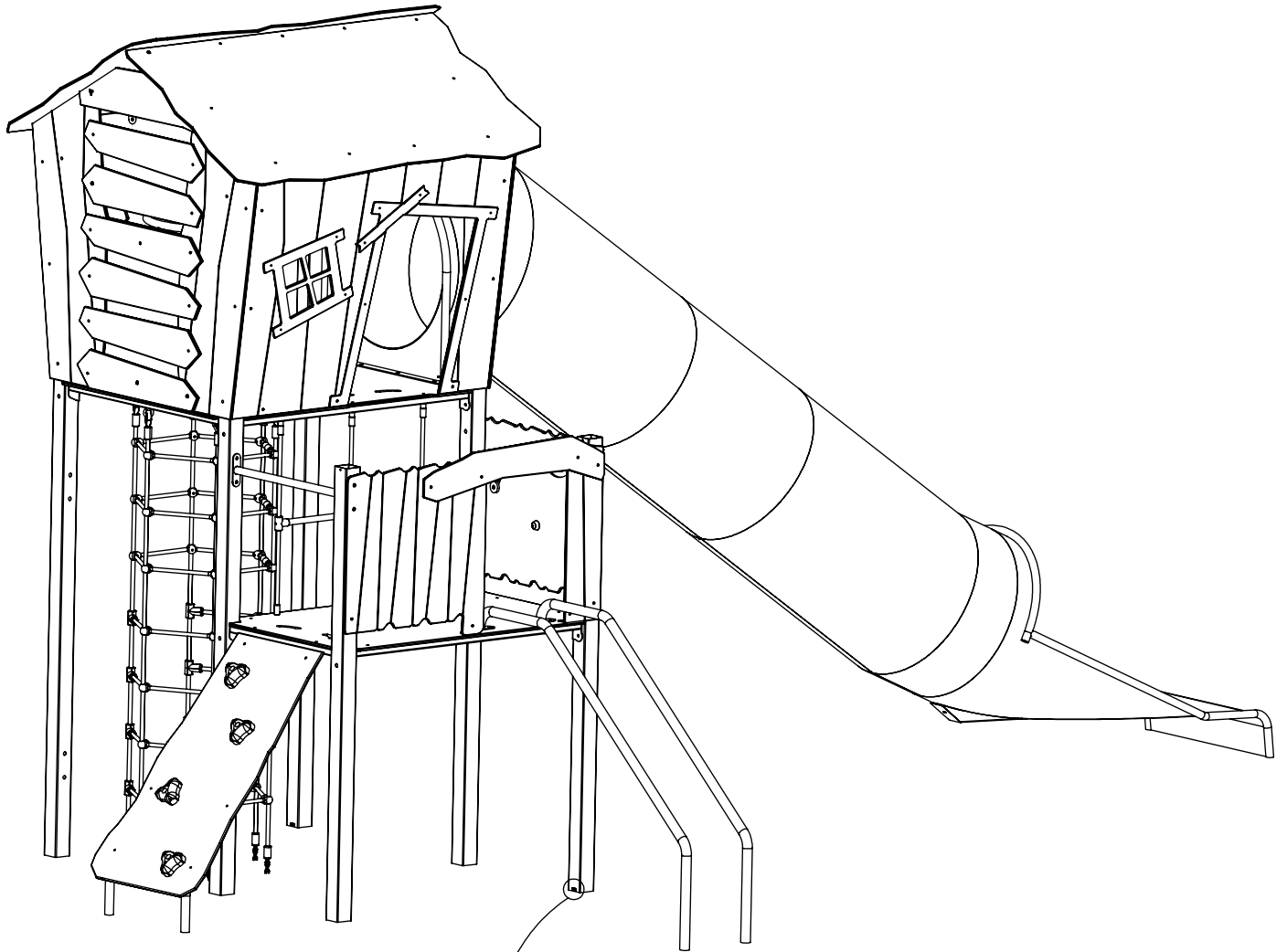




1 x CR36



[cm] **W1**

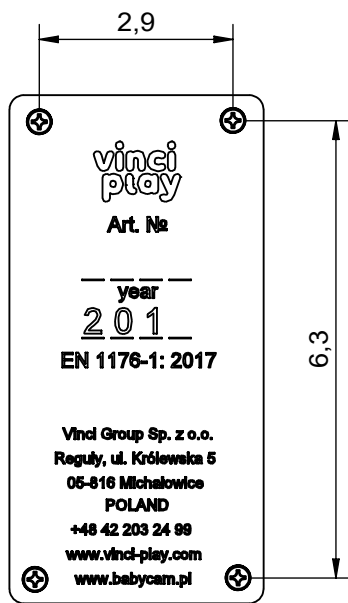
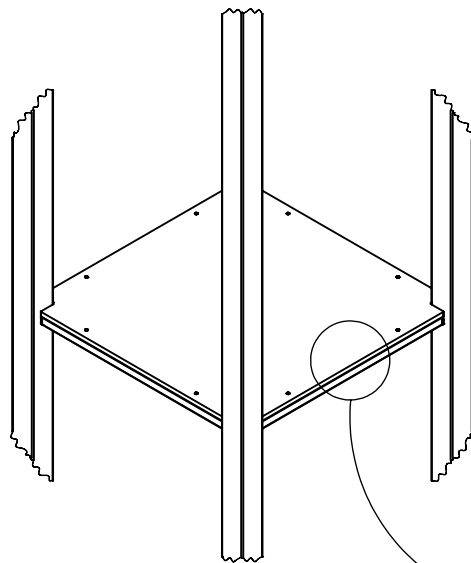


[cm]

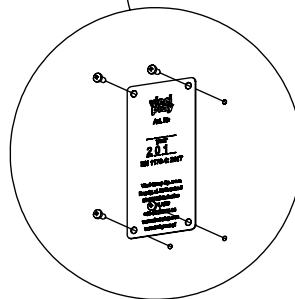
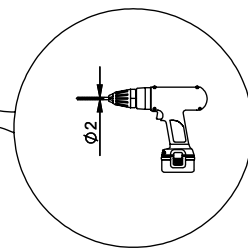
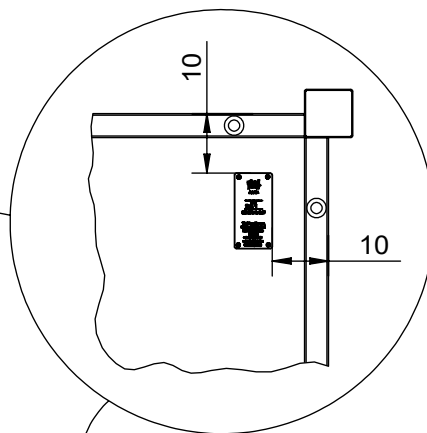
W1

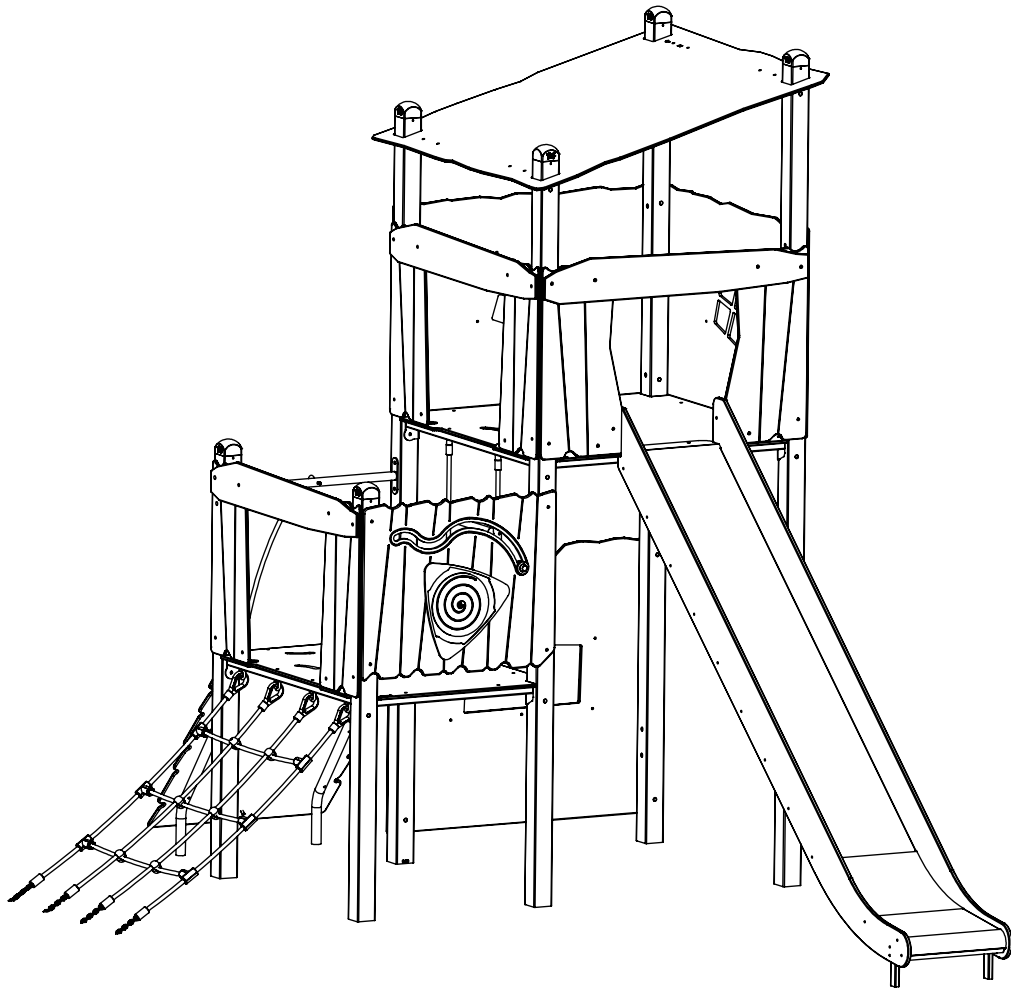


vinci
play



V001

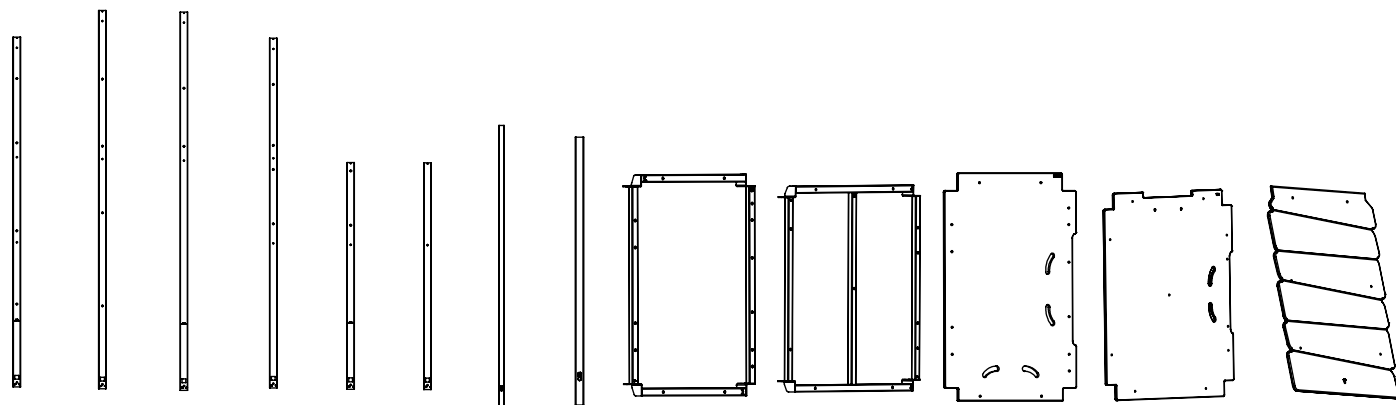




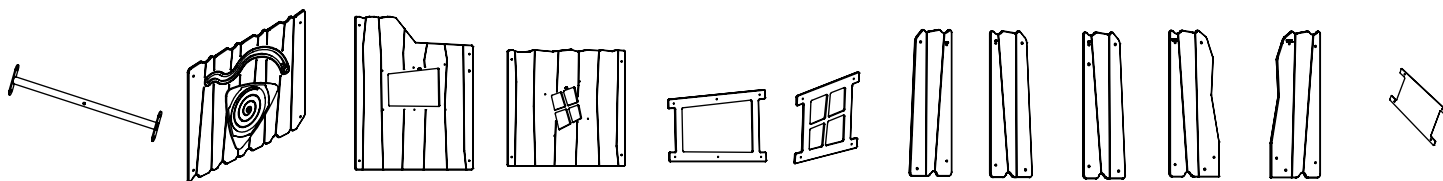
W2

[cm]

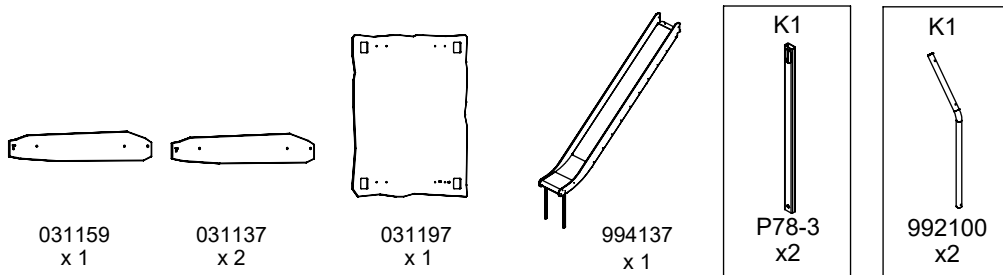
vinci
play



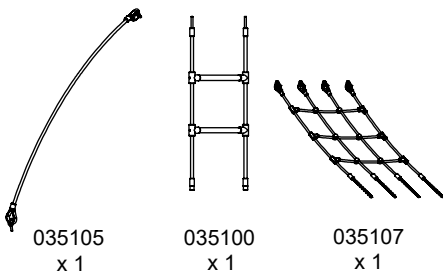
0301A x1 0301B x1 0301C x1 0301D x1 0301E x1 0301F x1 CK1 x2 CK3 x3 032147 x1 032146 x1 031133 x1 031134 x1 031130 x1



022103 x1 034153 x1 031143 x1 031138 x2 031144 x1 031110 x2 031140 x2 031139 x1 031141 x1 031135 x1 031136 x1 031723 x2

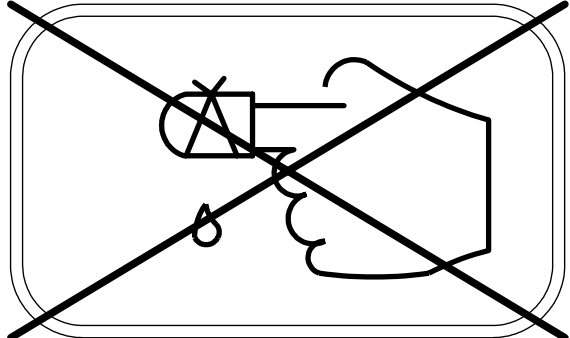
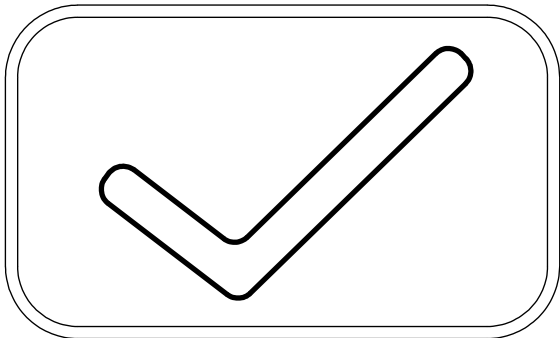
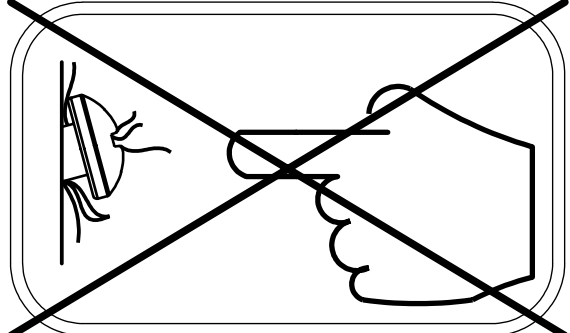
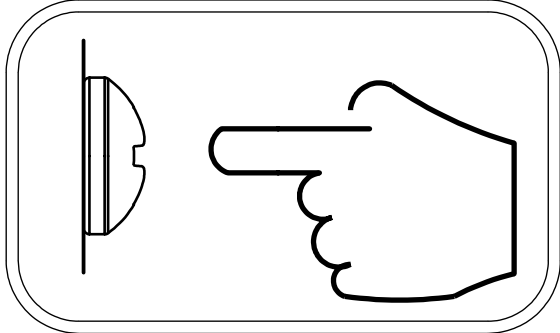
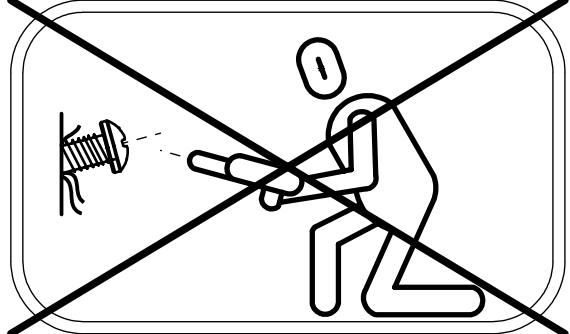
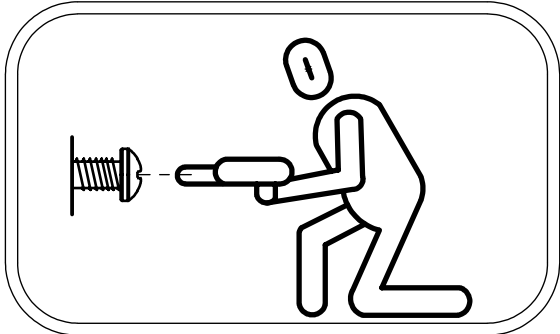


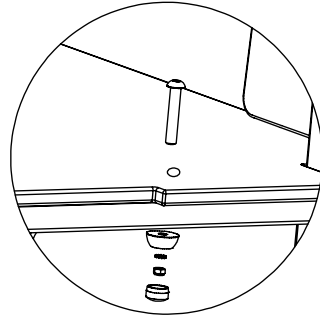
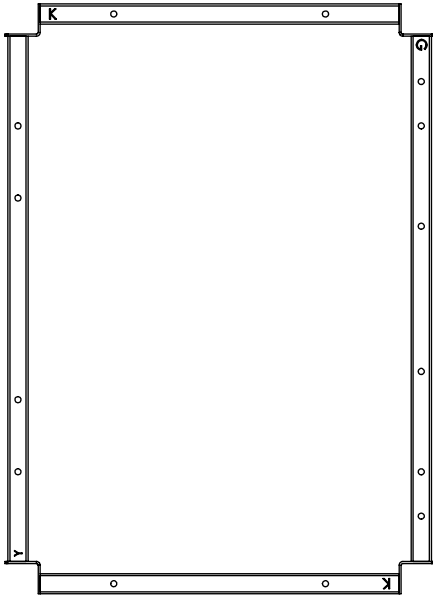
031159 x1 031137 x2 031197 x1 994137 x1 K1 P78-3 x2 K1 992100 x2



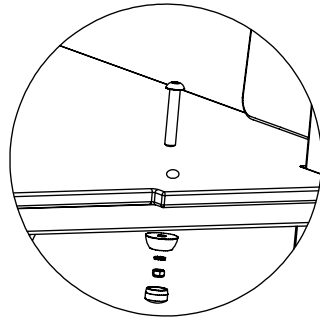
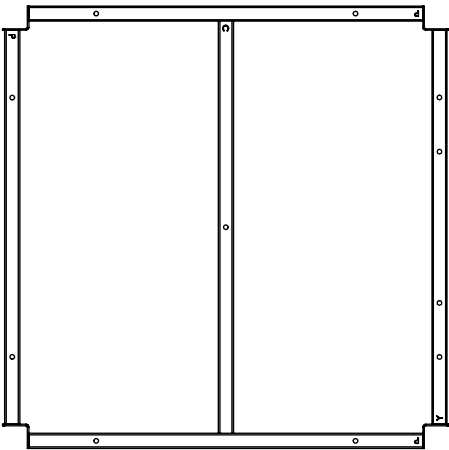
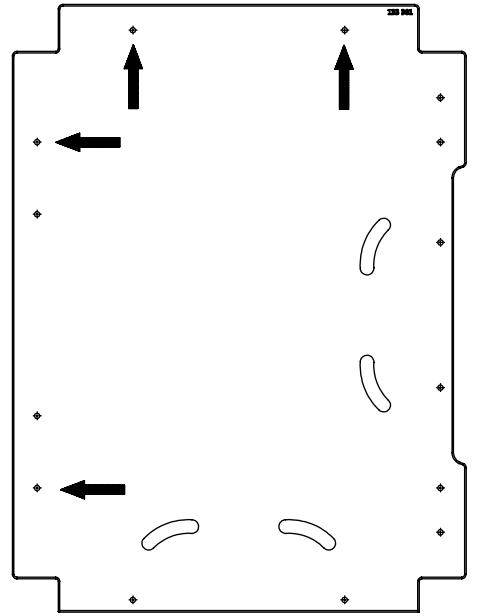
035105 x1 035100 x1 035107 x1

3 x CR1	1 x CR29 (S1)
6 x CR2	1 x CR33
3 x CR7	1 x CR34
2 x CR11	1 x CR35
3 x CR12	4 x CR47
1 x CR13	1 x E34 (K1)
2 x CR14	1 x CR89 (S6)
1 x CR18	1 x CR99
1 x CR20	2 x CR91
3 x CR24 (C9H)	2 x CR98 (C9H)
4 x CR45	2 x CR90 (C5H)
1 x CR68	1 x CR107 (C9H)
1 x CR27	1 x CR108 (C5H)
3 x CR22 (C5H)	1 x CR119

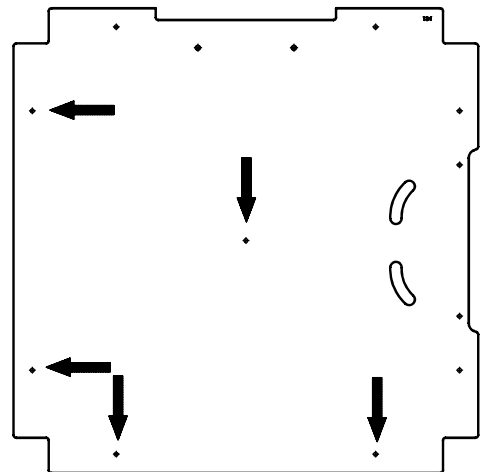




2 x CR45

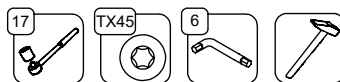


1 x CR68
2 x CR45

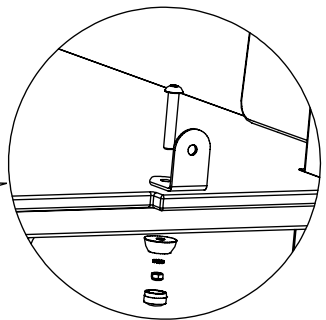
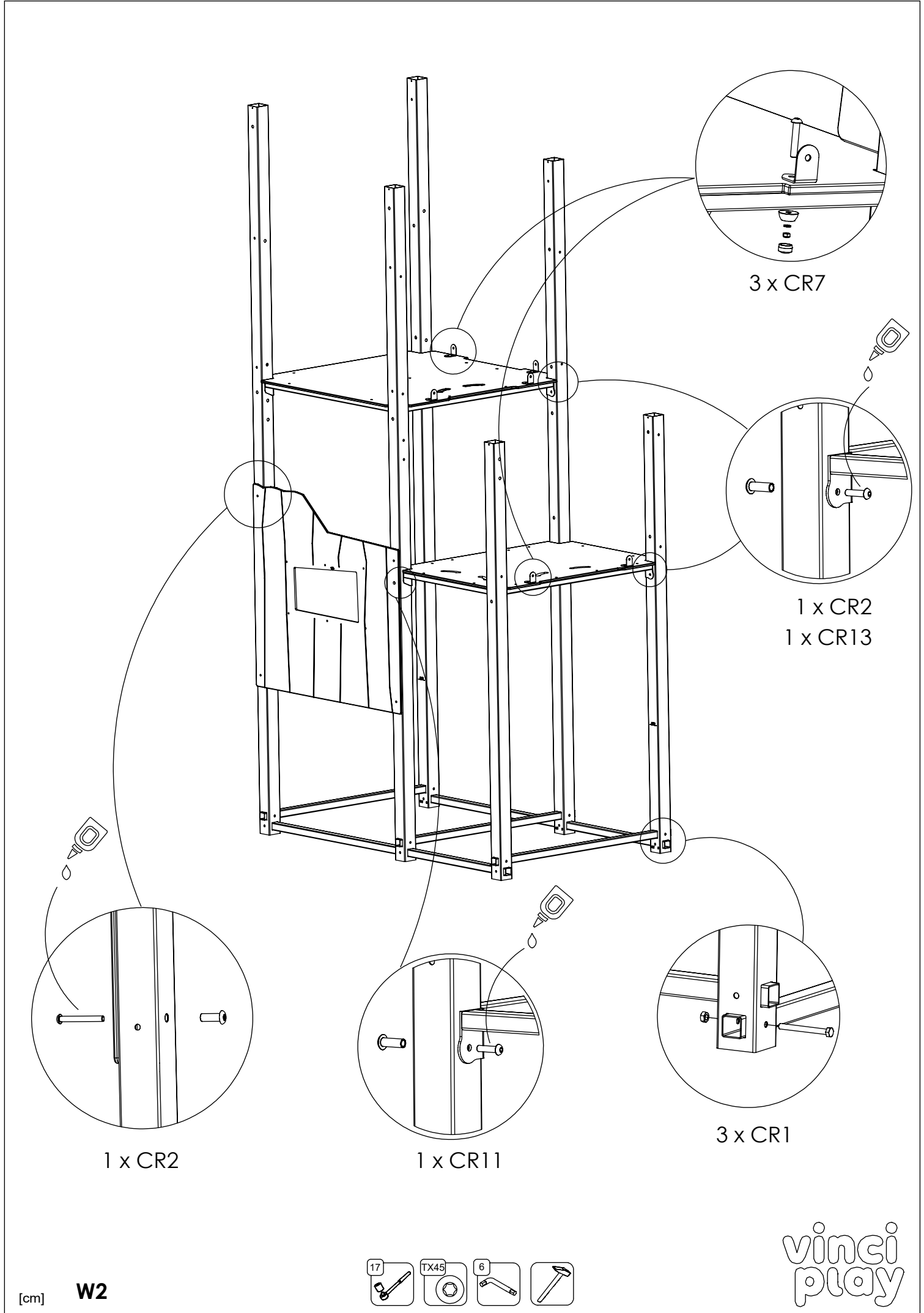


[cm]

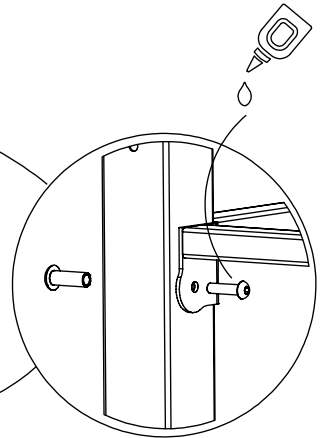
W2



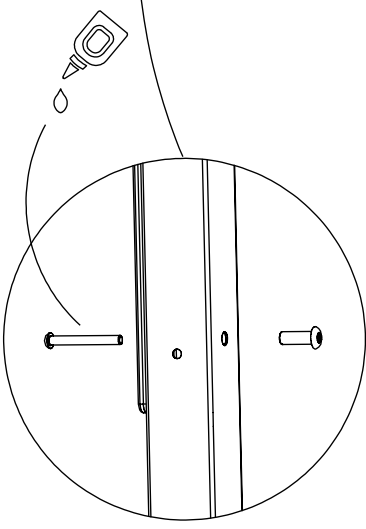
vinci
play



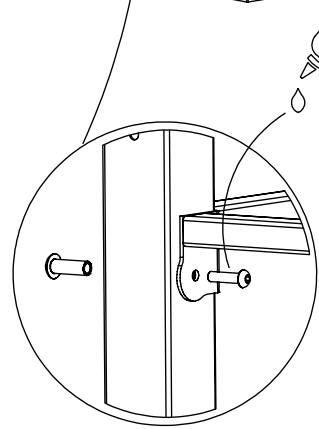
3 x CR7



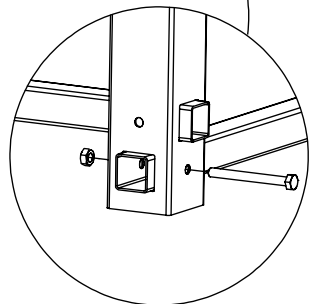
1 x CR2
1 x CR13



1 x CR2



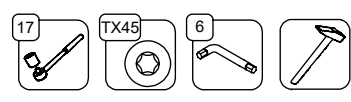
1 x CR11



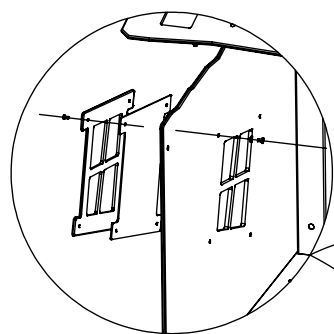
3 x CR1

[cm]

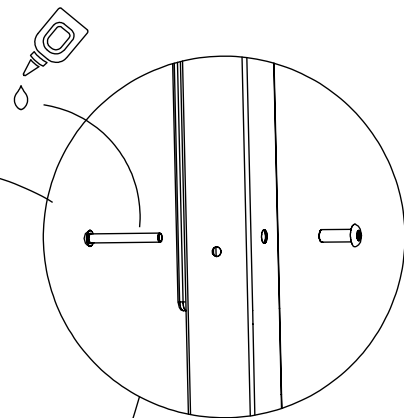
W2



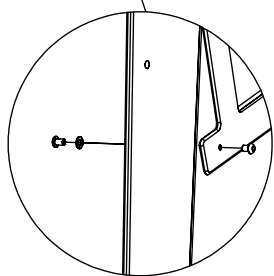
vinci
play



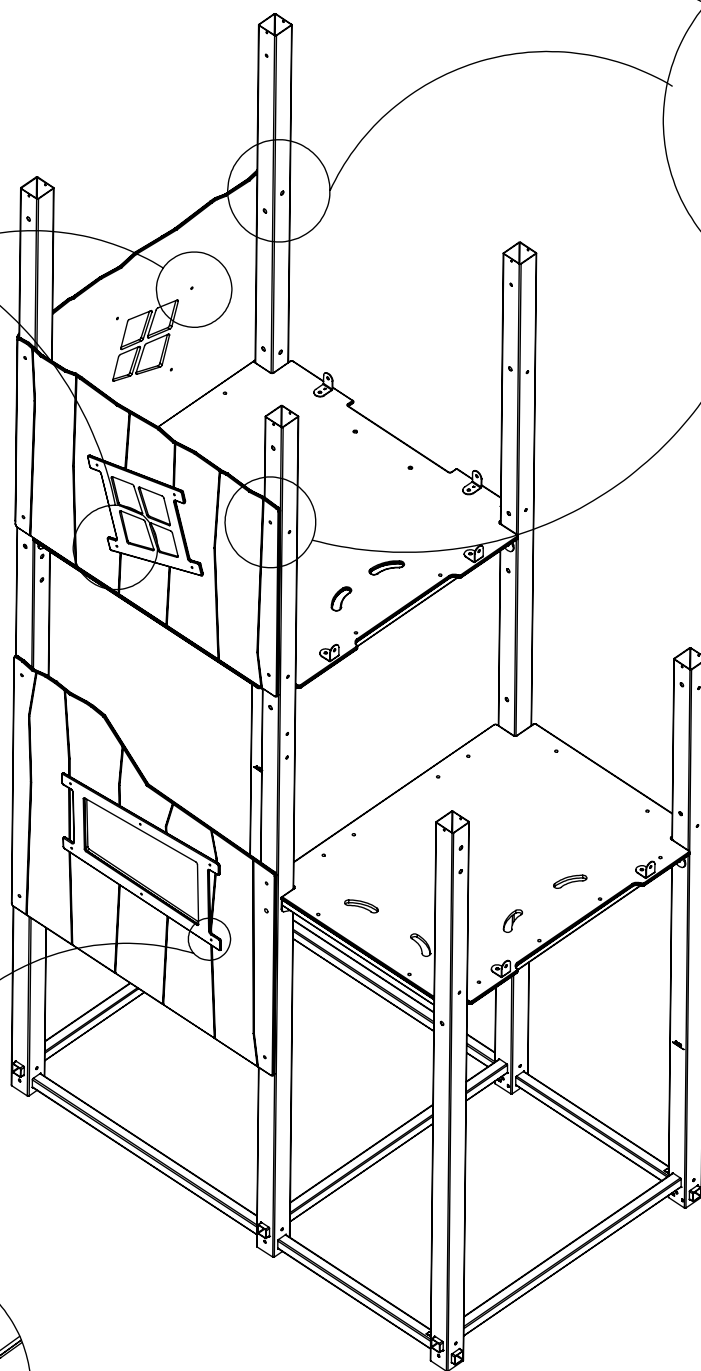
2 x CR91



2 x CR2



2 x CR98 (C9H)
2 x CR90 (C5H)

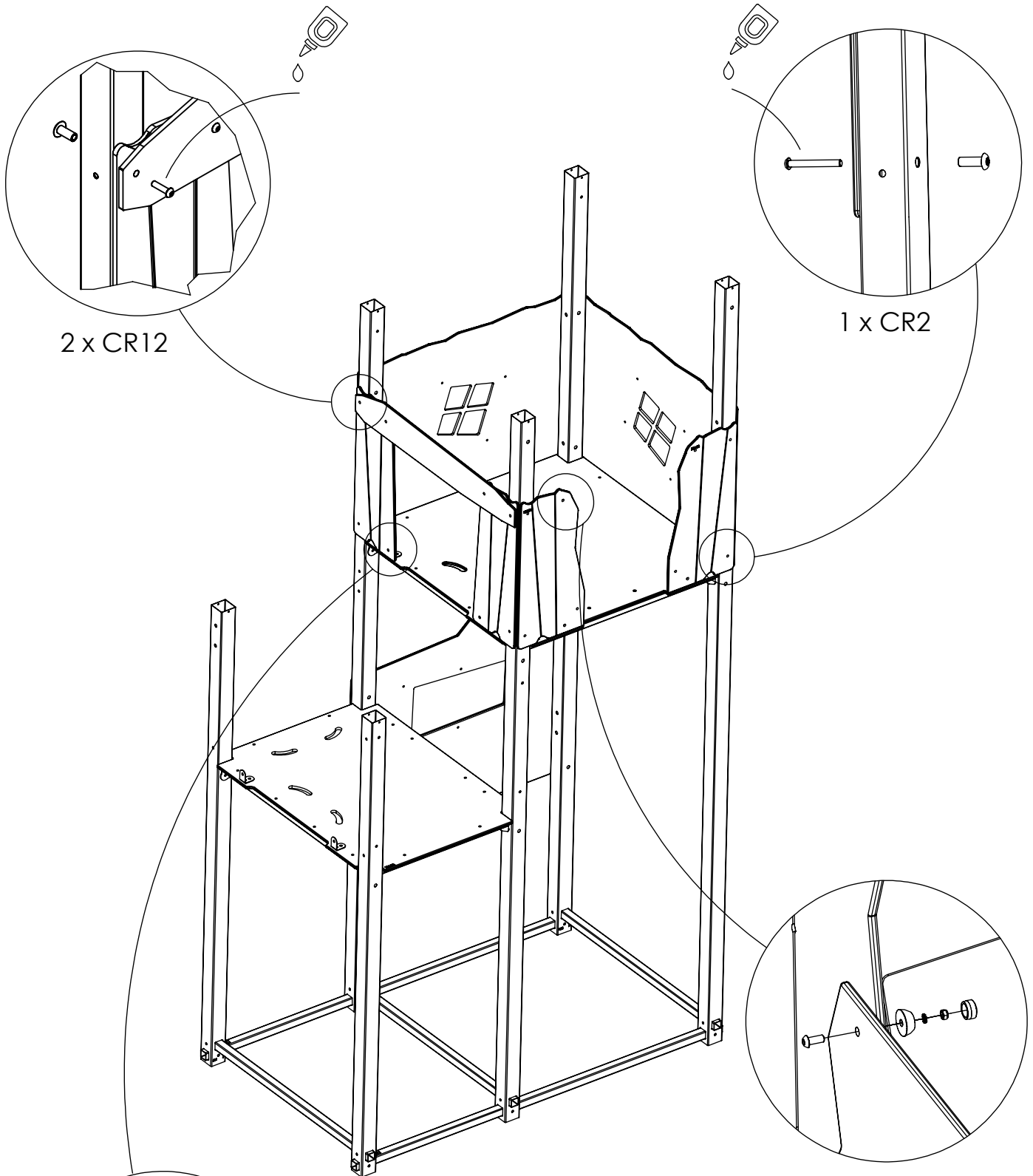


[cm]

W2



vinci
play



2 x CR12

1 x CR2

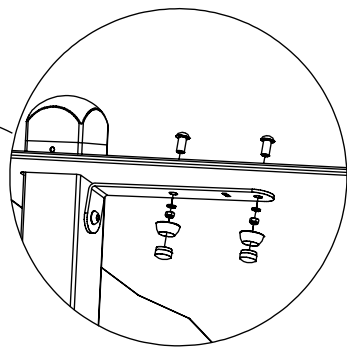
2 x CR24 (C9H)
2 x CR22 (C5H)

1 x CR20

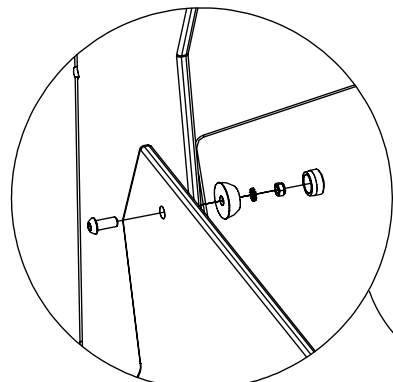
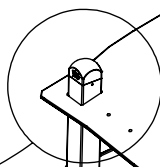
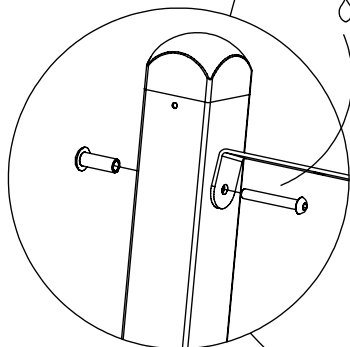
[cm]

W2

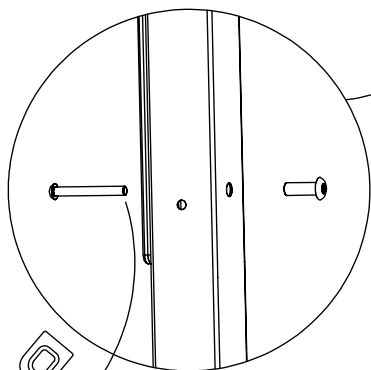
vinci
play



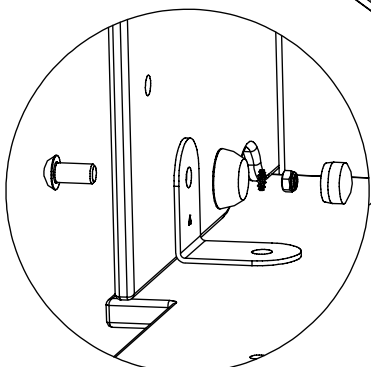
1 x CR27



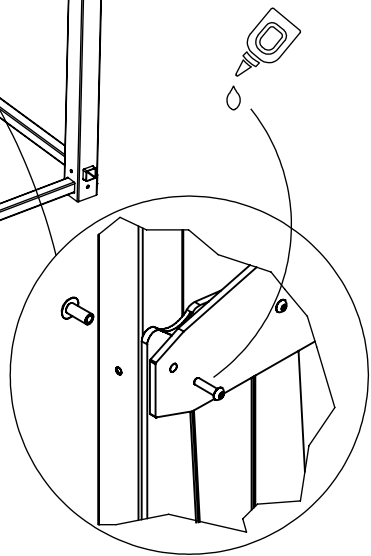
1 x CR24 (C9H)
1 x CR22 (C5H)



1 x CR14



1 x CR18

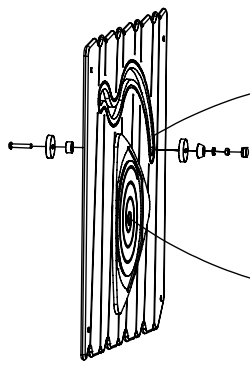


1 x CR11

vinci
play

[cm]

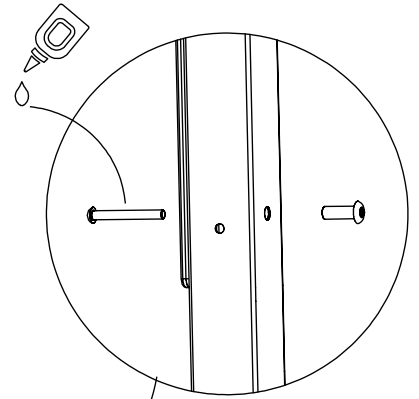
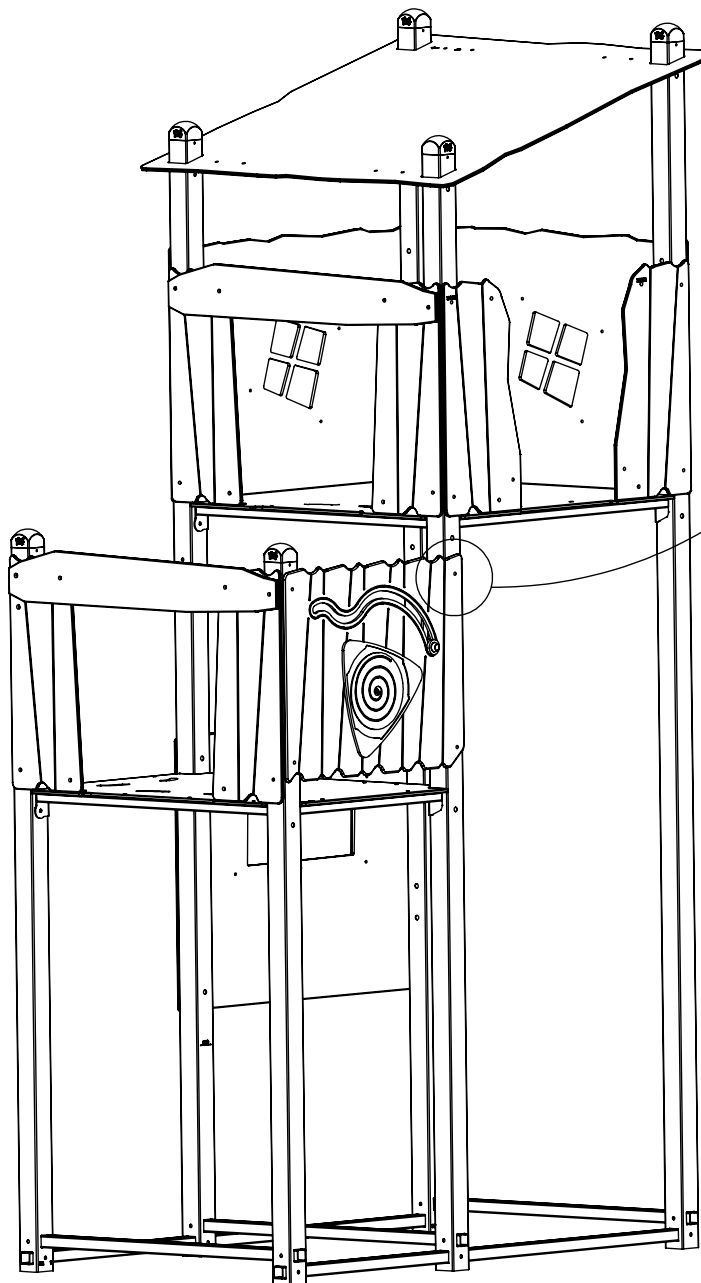
W2



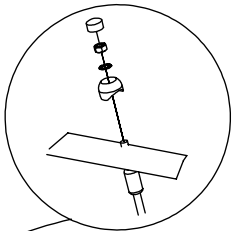
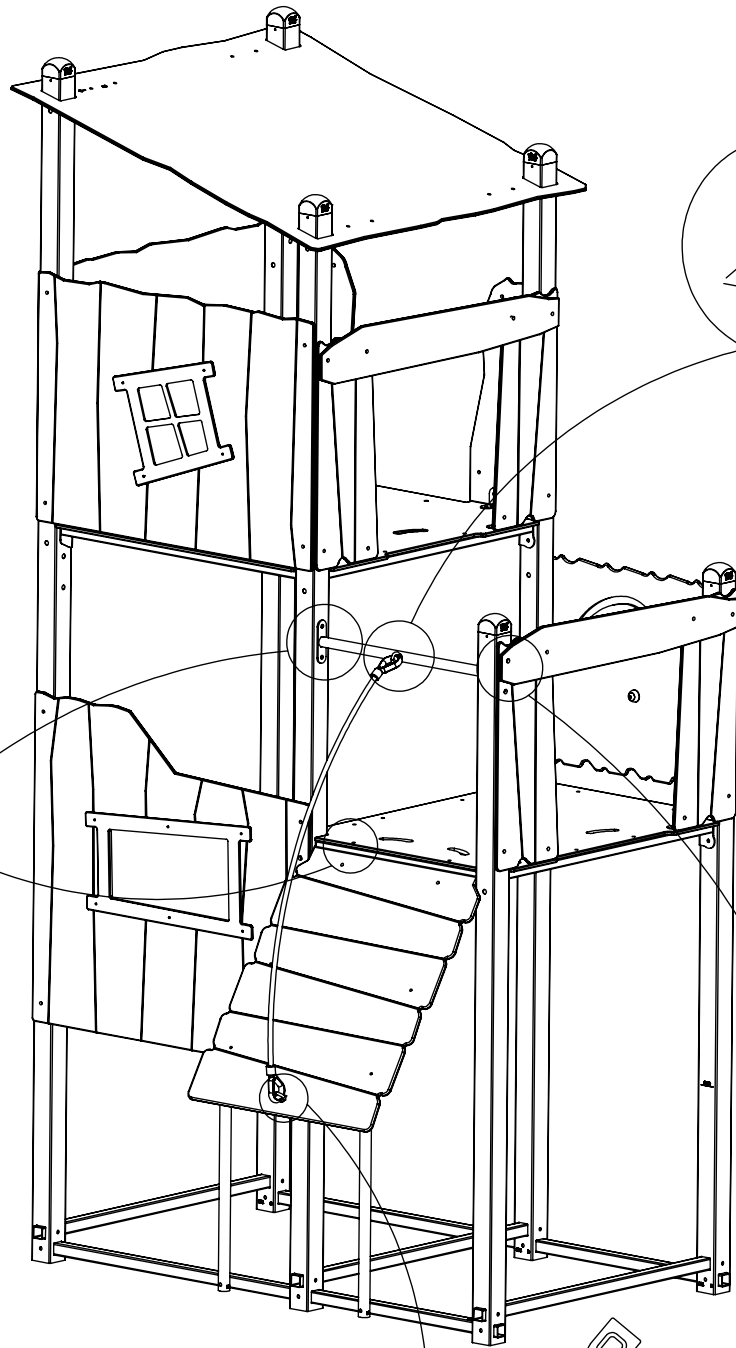
1 x CR33

1 x CR107 (C9H)

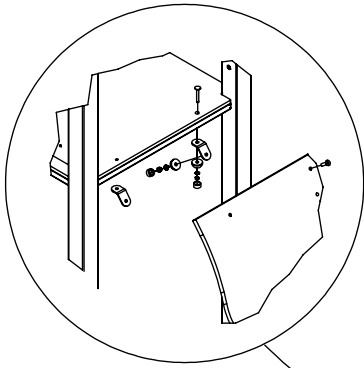
1 x CR108 (C5H)



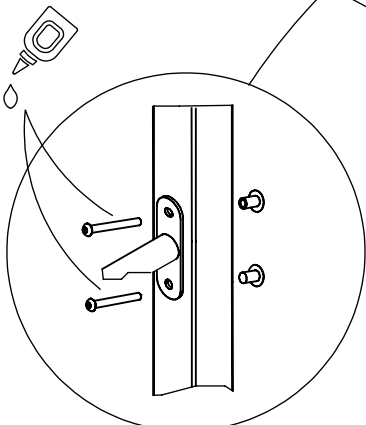
1 x CR2



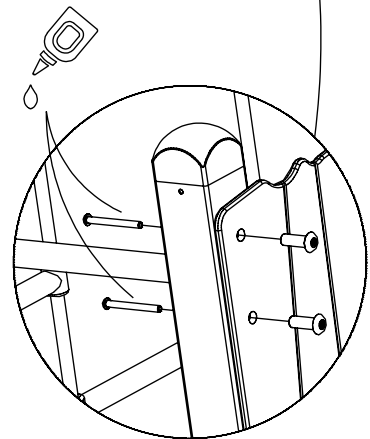
CR34



CR34

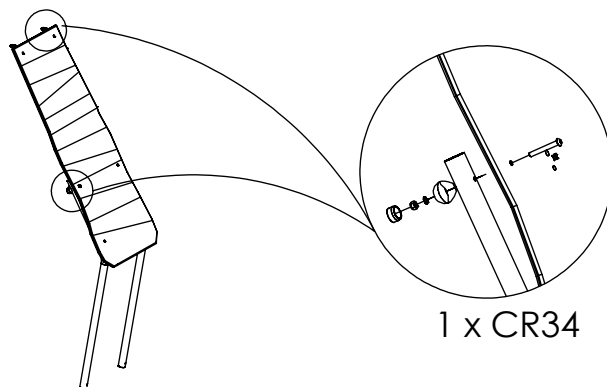


1 x CR14



1 x CR12

1 x CR99

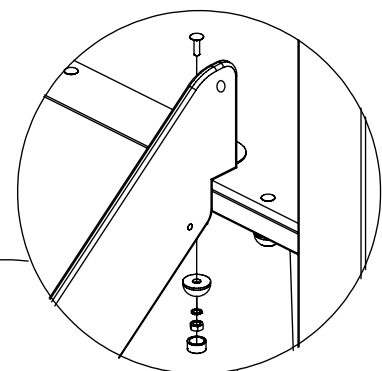
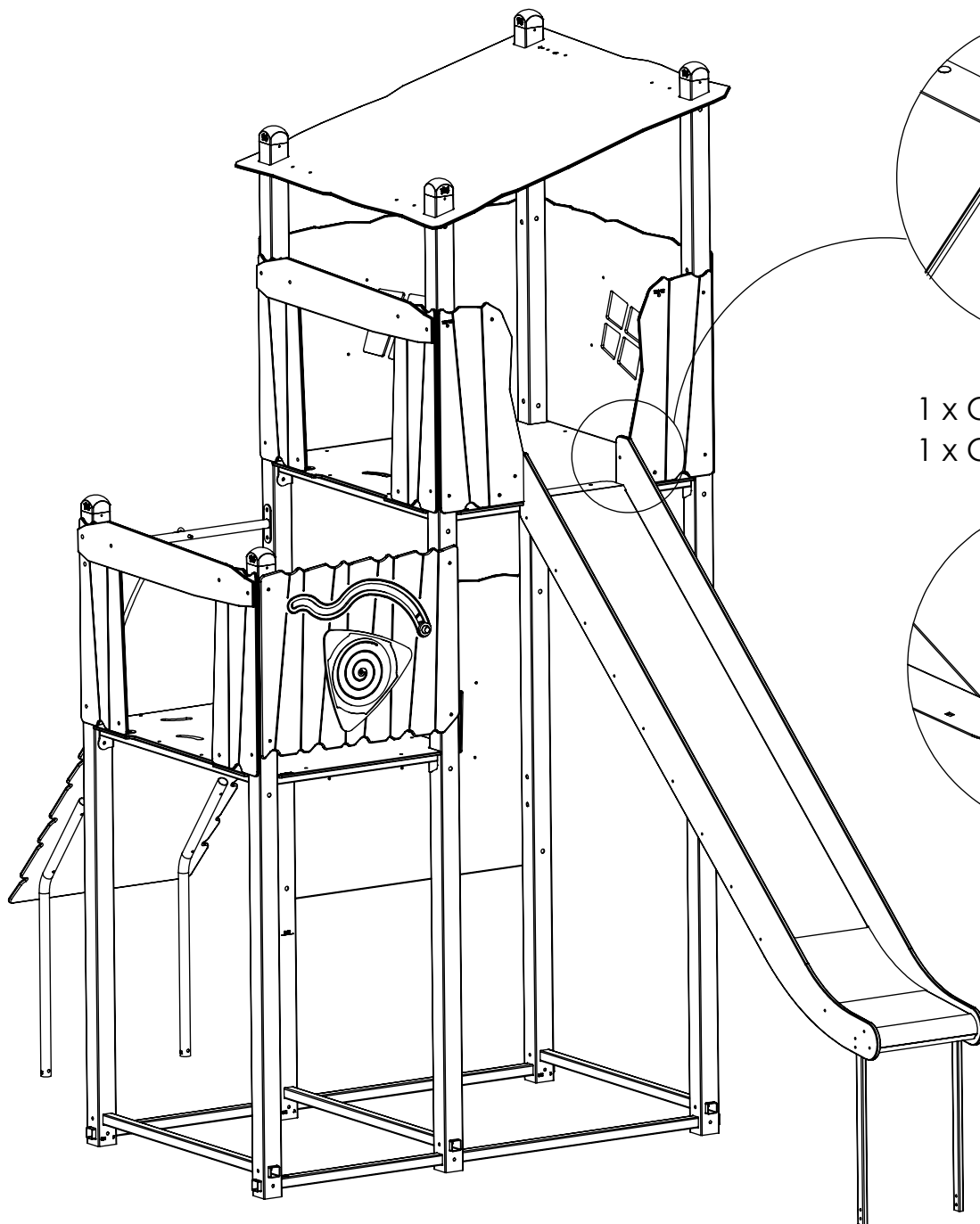


1 x CR34

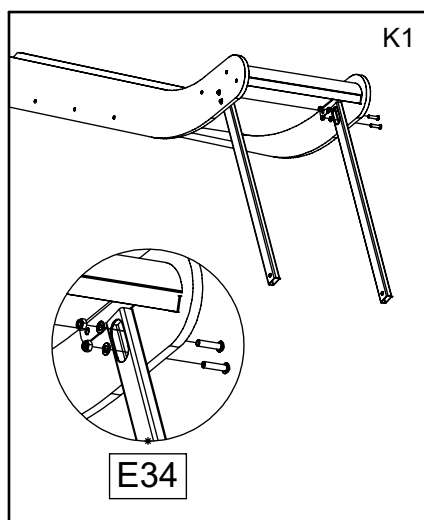
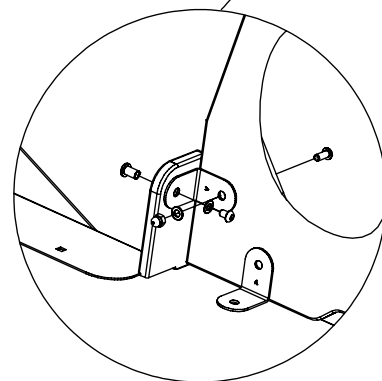
[cm]

W2

vinci
play



1 x CR29 (S1)
1 x CR89 (S6)



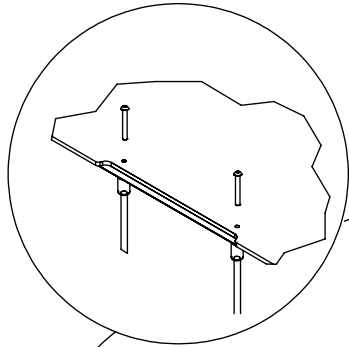
K1

E34

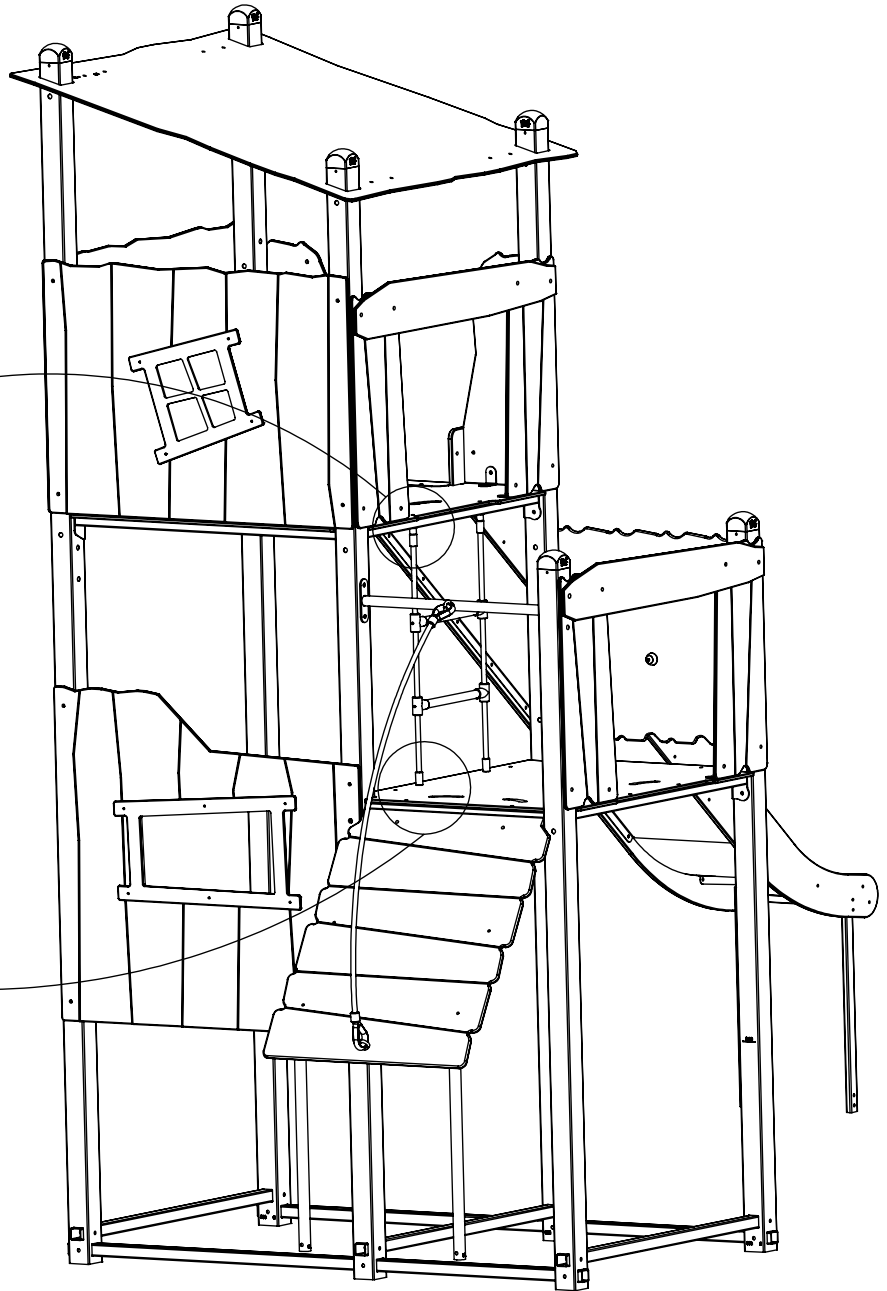
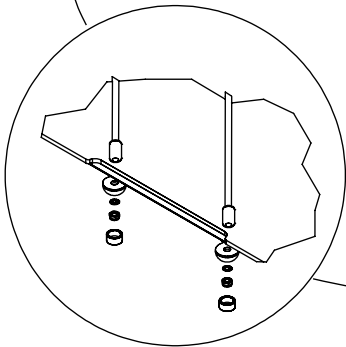
[cm]

W2

vinci
play



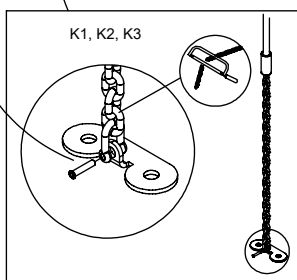
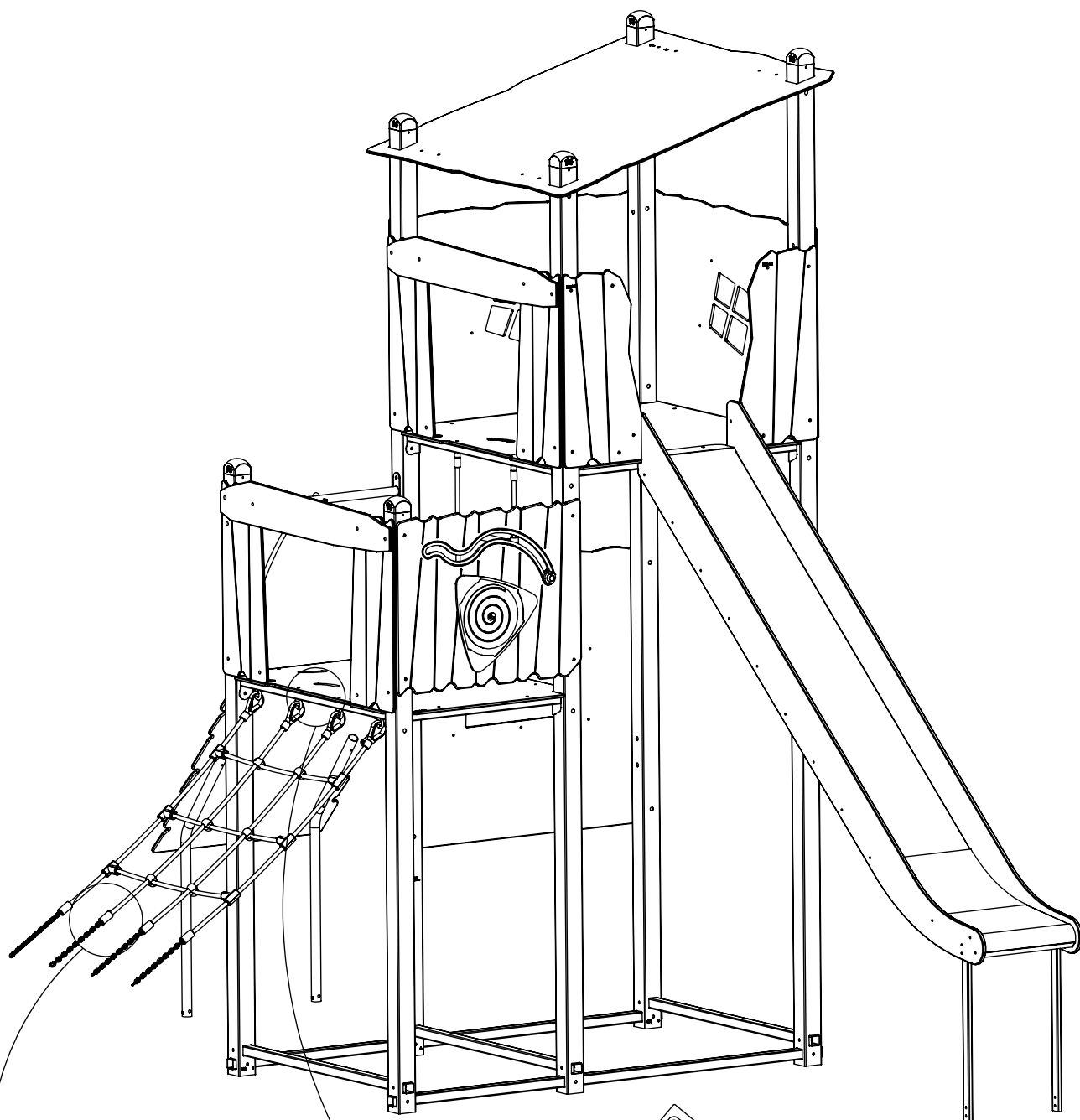
1 x CR119



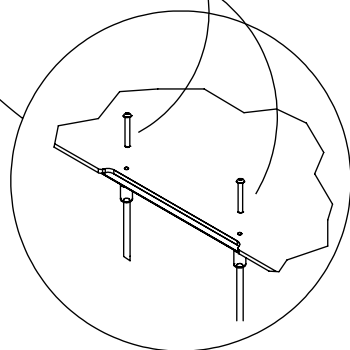
[cm]

W2

vinci
play



4 x CR47

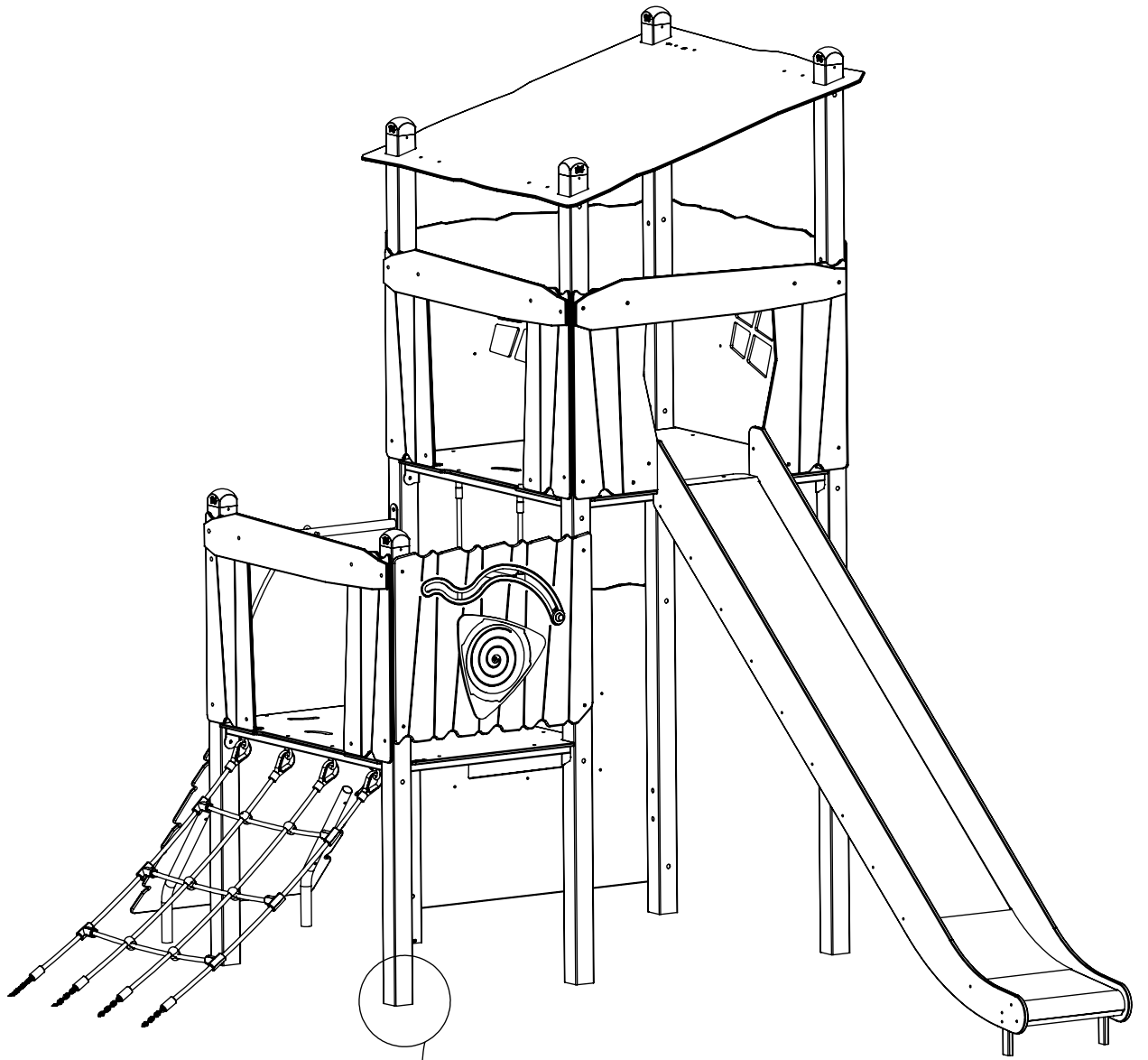


1 x CR35

[cm]

W2

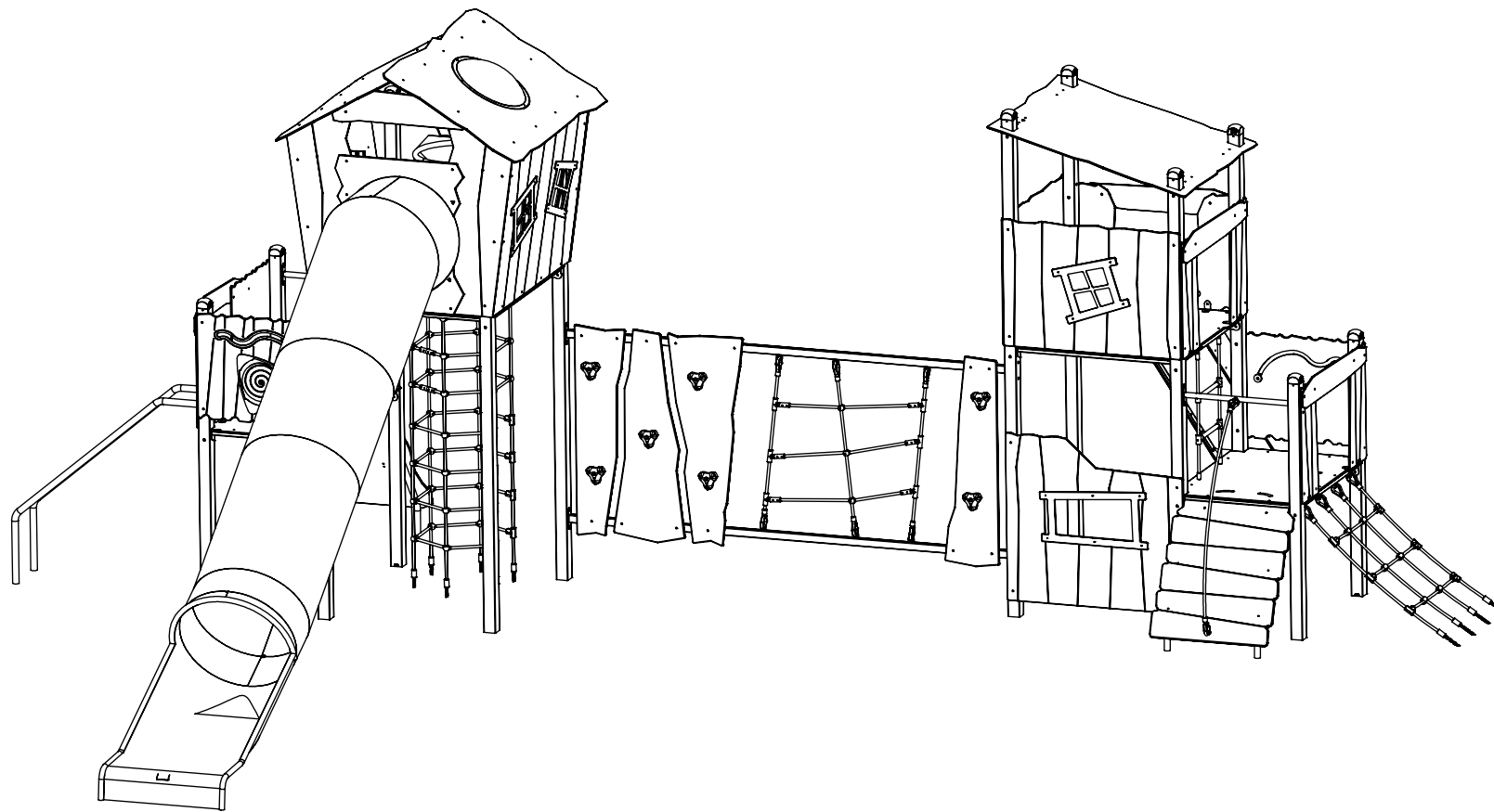
vinci
play



[cm]

W2

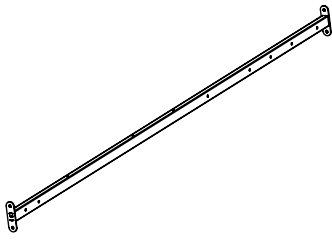
vinci
play



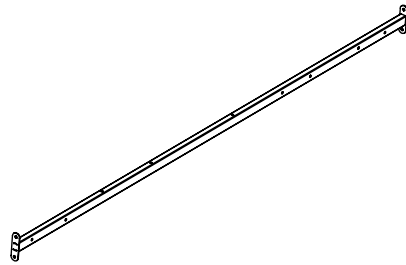
W1+W2

[cm]

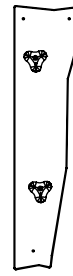
vinci
play



032131
x 1



032132
x 1



034161
x 1



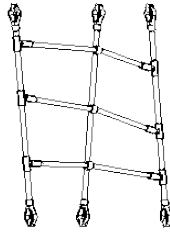
034162
x 1



034163
x 1

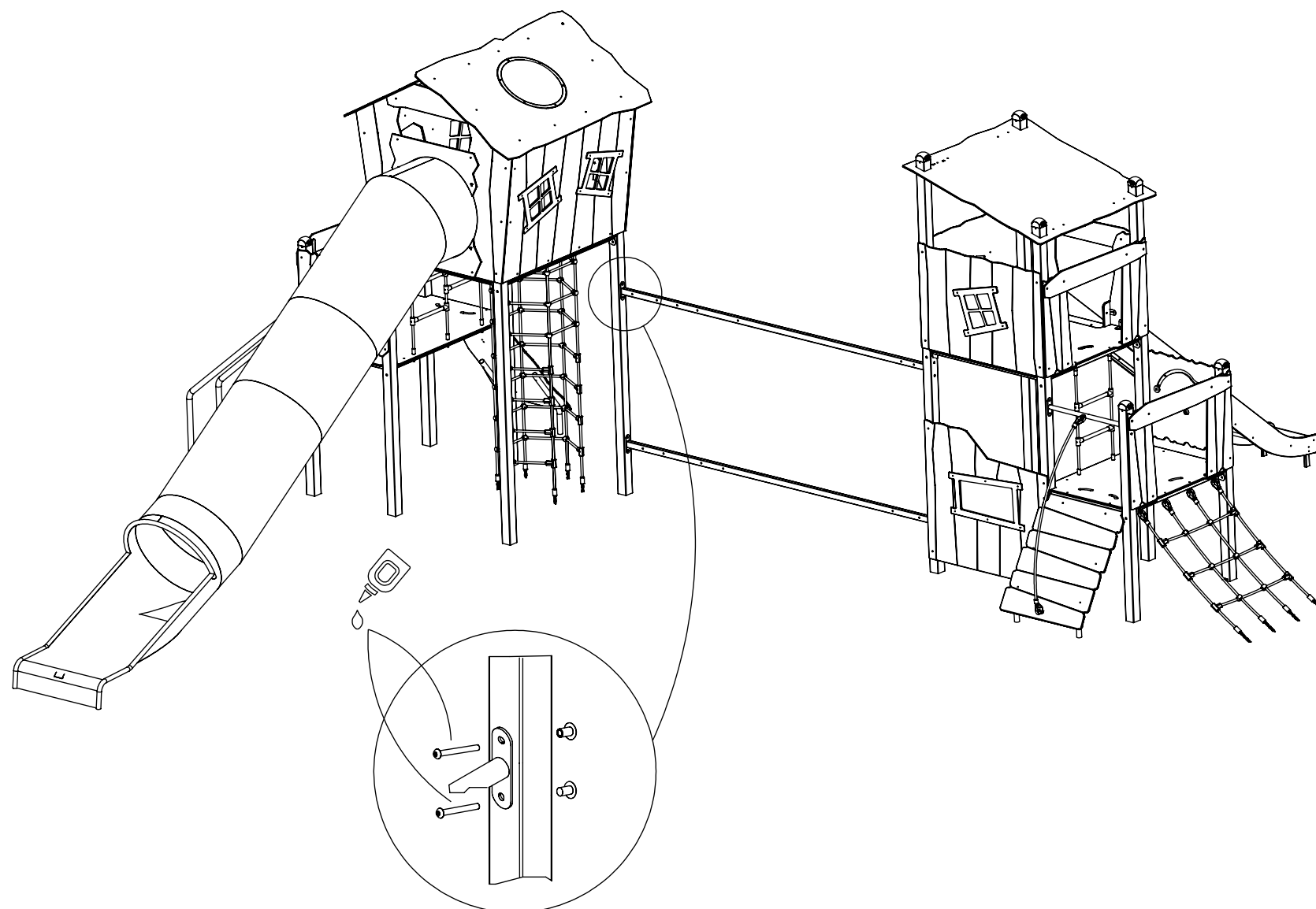


034164
x 1



035103
x 1

2 x CR2
2 x CR56
1 x CR38

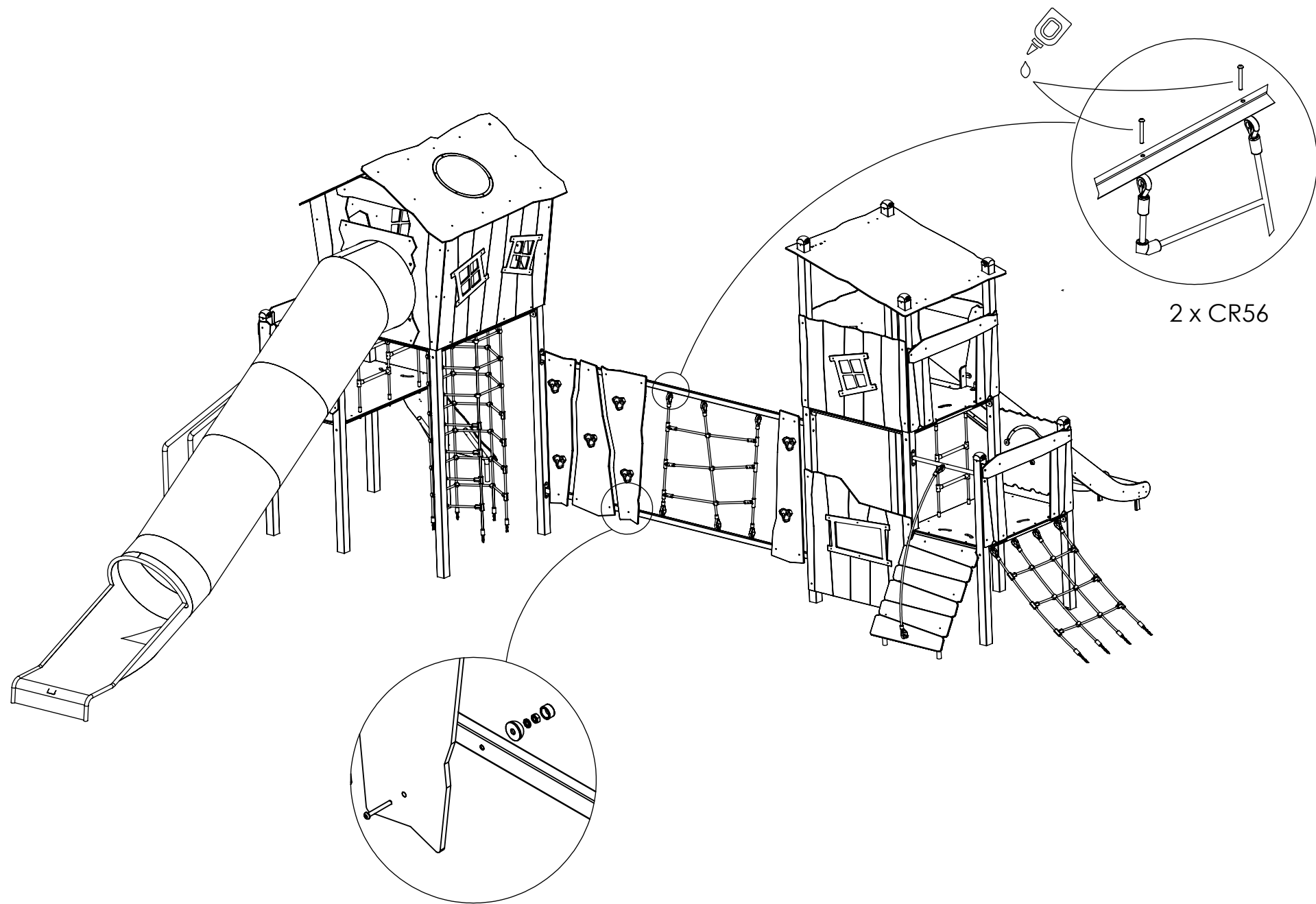


2 x CR2

[cm] W1+W2



vinci
play



2 x CR56

1 x CR38

[cm] W1+W2



vinci
play