

Product technical sheet

CLIMBOO 0407



3 - 14 years



6 kids



16.6 m²

Material specification

- Hot-dip galvanized and powder coated or powder galvanized and powder coated steel construction of 80 x 80 mm profile,
- Hot-dip galvanized and powder coated steel bars,
- Safe end caps on top of the structure made of rubber or polypropylene,
- Stainless steel screws and/or screws covered with plastic caps,



Physical development

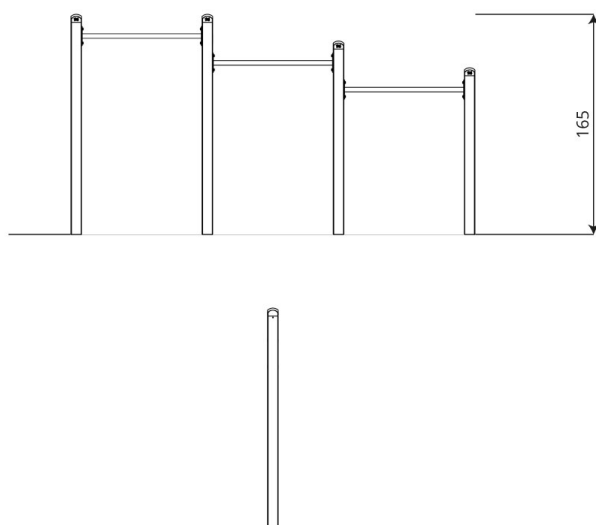
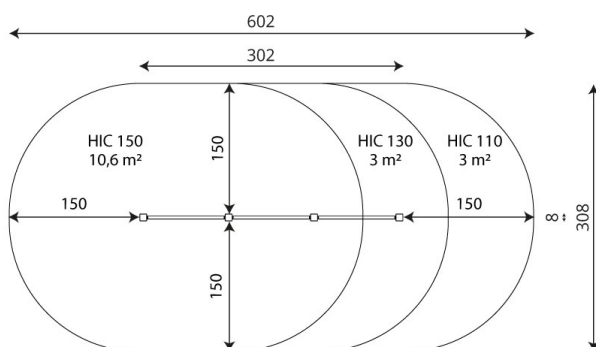


pull-up





1
number of activity elements



Product technical sheet

CLIMBOO 0407

Product data

Length	302 cm
Width	8 cm
Total height	165 cm
Age group	3 - 14 years
Number of users	6 kids
Safety zone	16.6 m ²
Free fall height	150 cm
In accordance with norm EN	1176-1:2017
Weight of the heaviest part	11 kg
Dimensions of the largest part	220x8x8 cm
Availability of spare parts	YES
Installation time	2 h

Data is subject to change without prior notice.

Additional information

- equipment intended for public playgrounds;
- equipment has a certificate issued by an accredited entity or a declaration of conformity;
- no sharp edges or chinks that would pose a danger of jimmieing the head, fingers or any other body parts;
- anchoring on flat surface, 80/70/60 cm deep;
- render is for reference only, the actual appearance of the equipment and its color may vary;

Guarantee

- 30** 30 year guarantee - Structural strength of steel and stainless steel components
- 15** 15 year guarantee - Structural failure of steel and stainless steel, for dynamic equipment
- 10** 10 year guarantee - Structural failure of high density polyethylene and high pressure laminates components
- 5** 5 year guarantee - Corrosion of stainless steel and hot dip galvanized and powder coated components; against bark beetles and rot in case of wooden structural elements

Detailed information in the guarantee card



Surfaces according to EN 1176-1:2017

	Description (mm)	Layer thickness (cm)	Maximum fall heights (cm)
Turf/ top layer of soil (A,B,C)	-	-	≤100
bark (A,C)	Particle size from 20 to 80	30	≤200
		40	≤300
woodchips (A,C)	Particle size from 5 to 30	30	≤200
		40	≤300
sand or gravel (A,C)	Particle size from 0,25 to 8	30	≤200
		40	≤300
synthetic attested (A,B,C)	Tested according to EN 1177		150

Product technical sheet

CLIMBOO 0407

Amount of safe surface corresponding with free fall height:

HIC 110 3,0 m²

HIC 130 3,0 m²

HIC 150 10,6 m²

Data is subject to change without prior notice.

