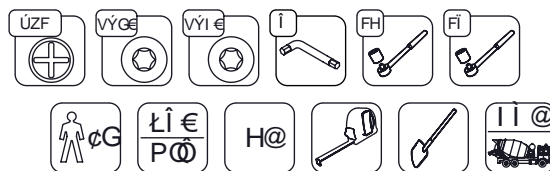
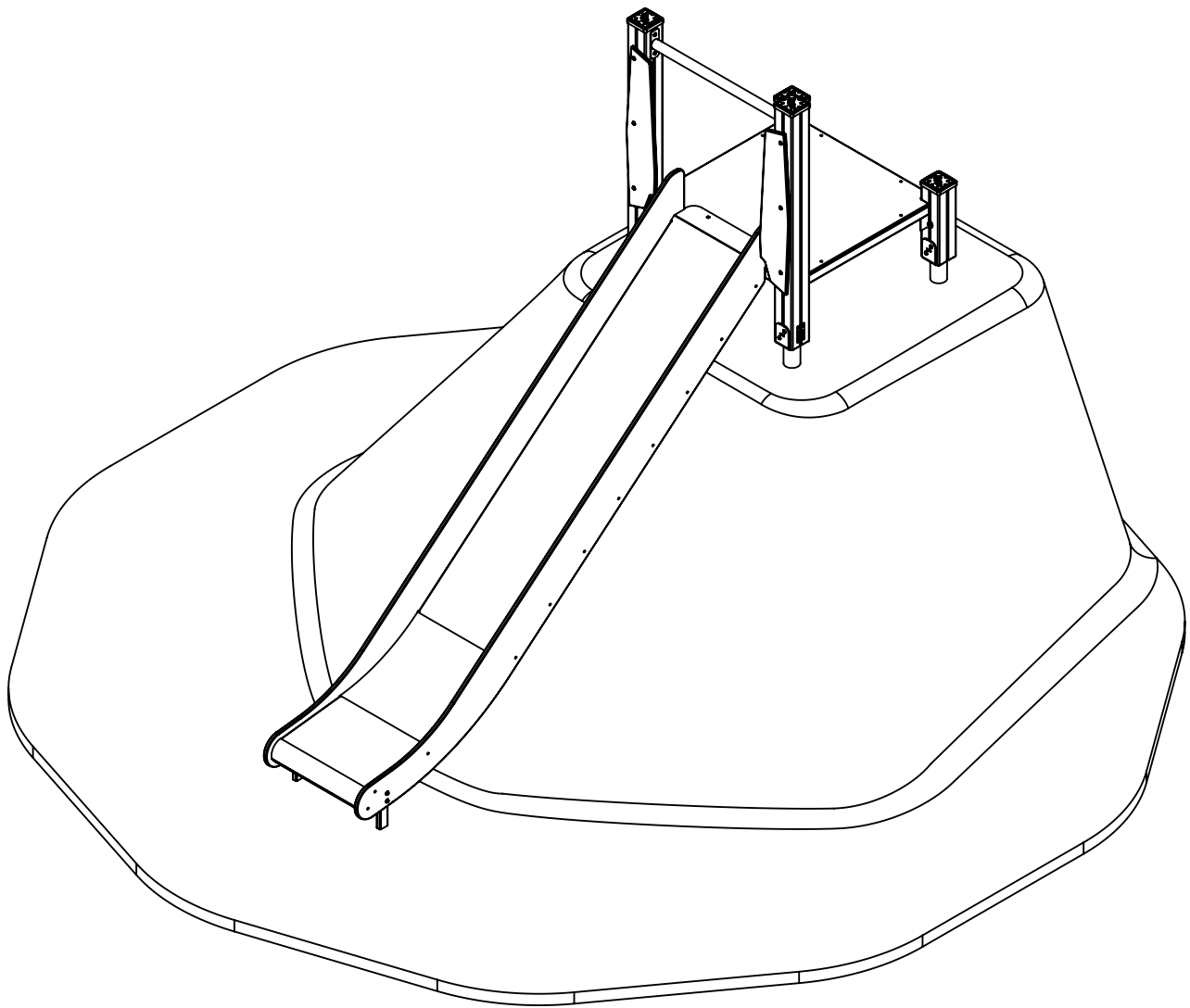


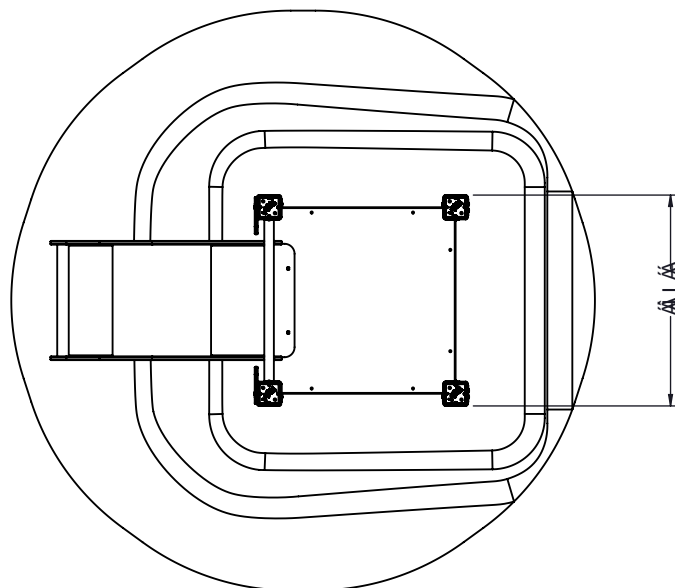
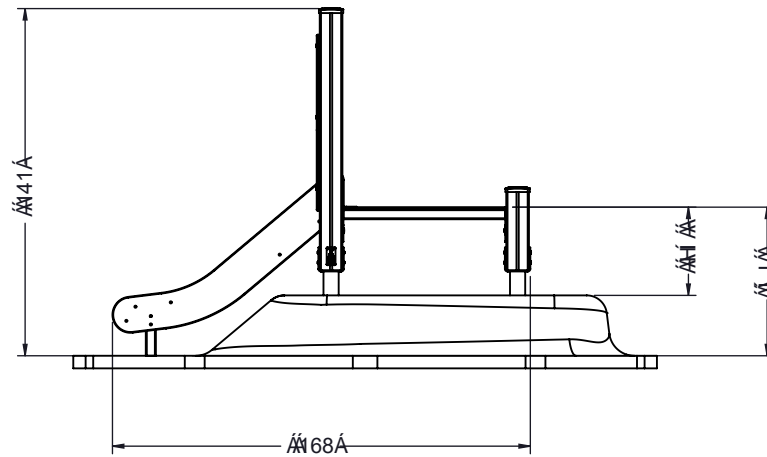
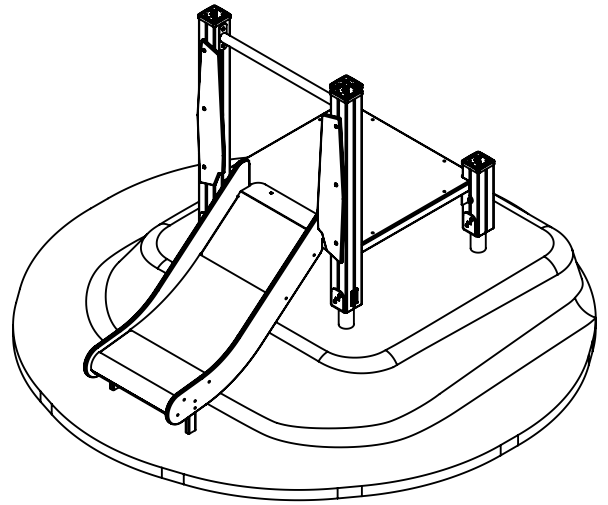
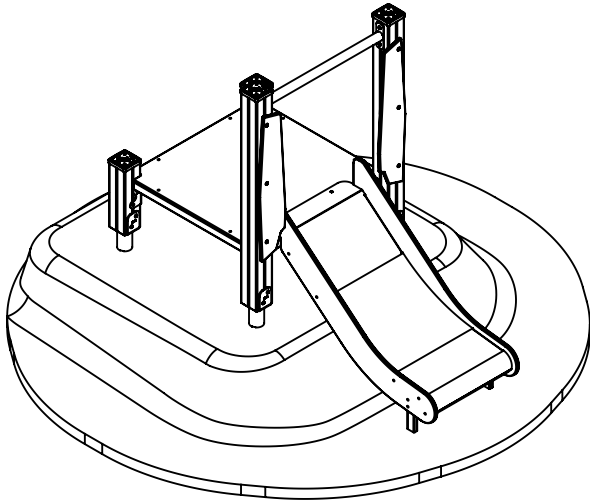
# Y ÖFI | €ËY ÖFI | Í



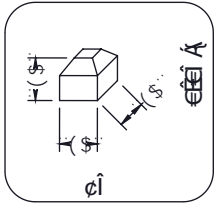
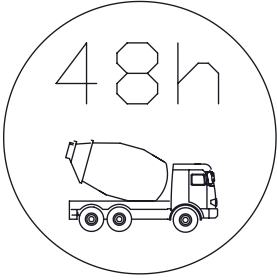
çEFF  
GFÈFFÈGE  
CHÈÈÈ  
žá

vinci  
play

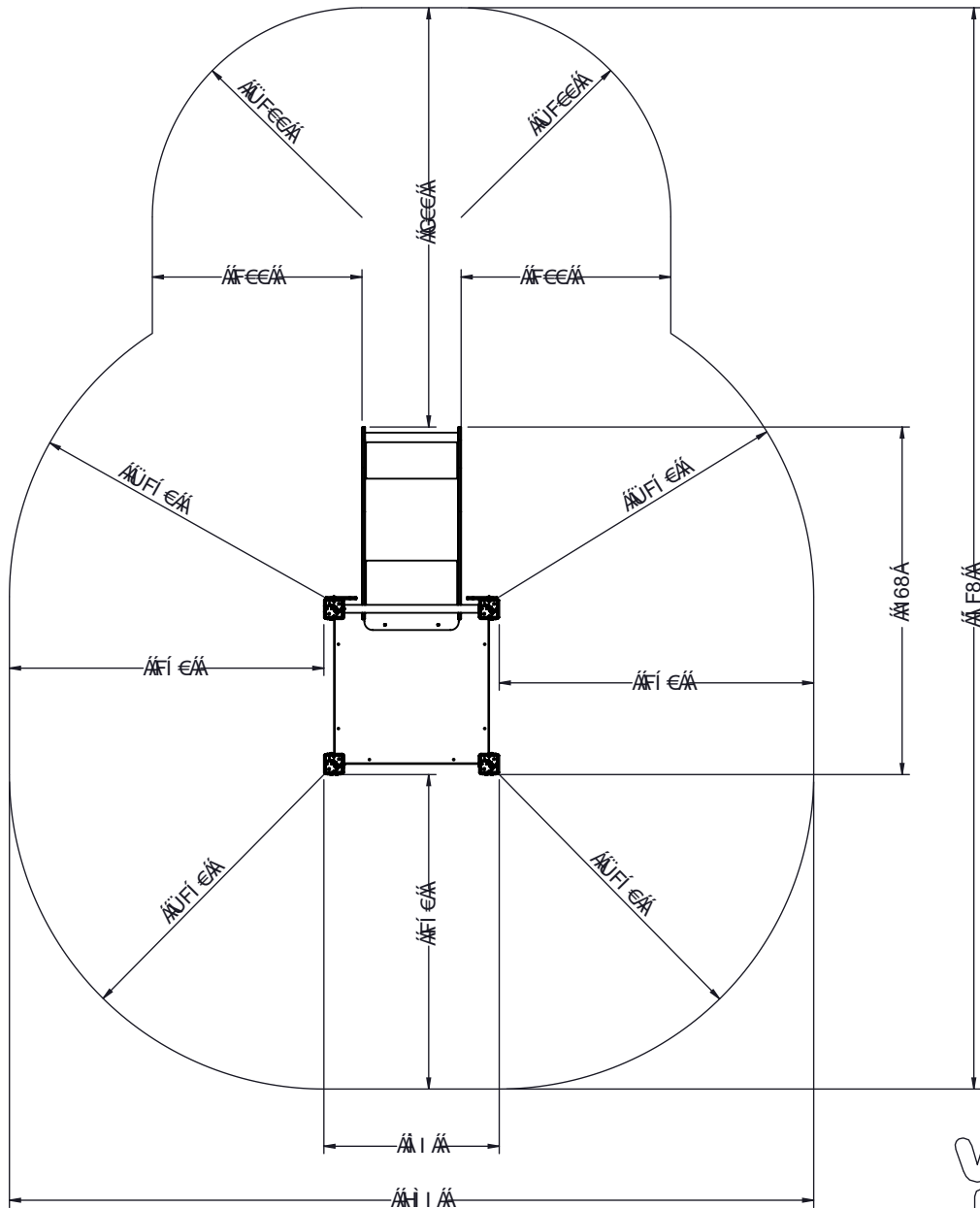
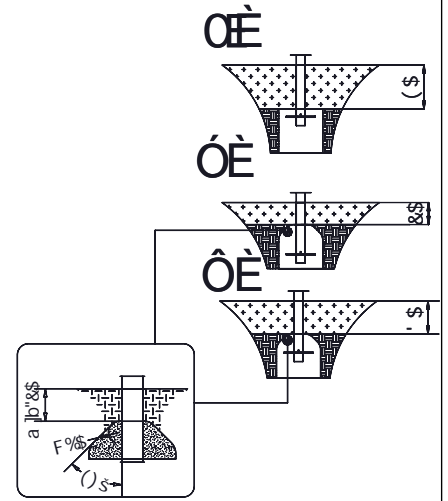
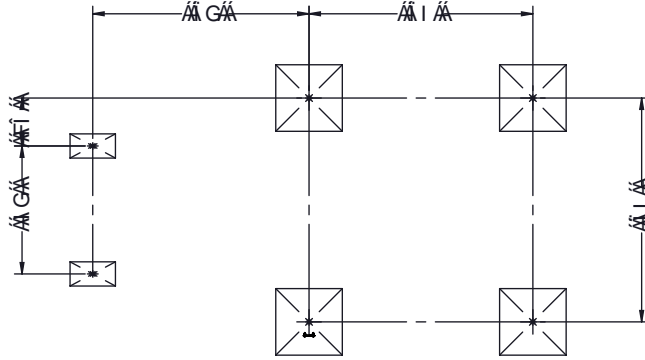
K 8% (\$



K 8% (\$)

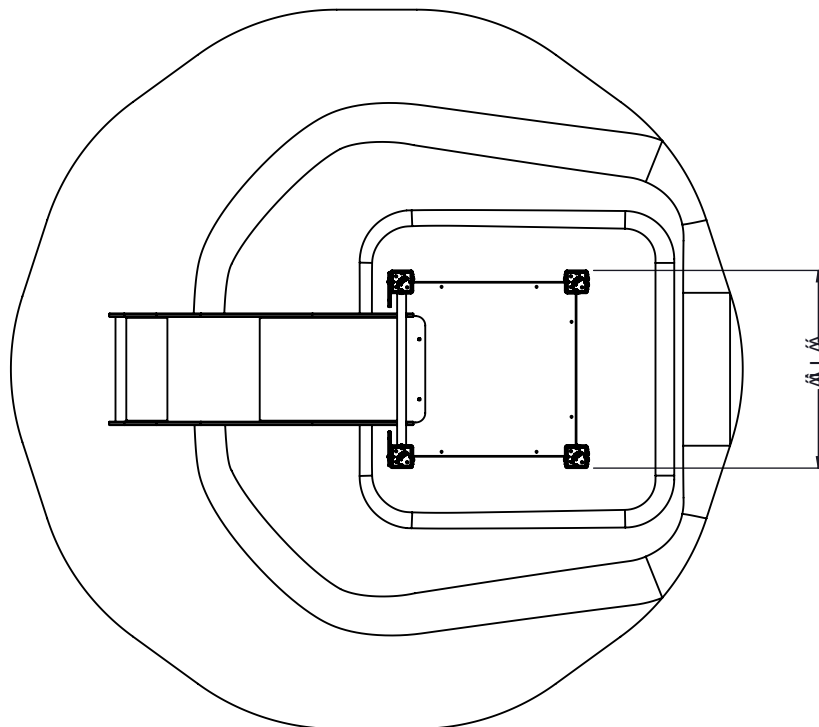
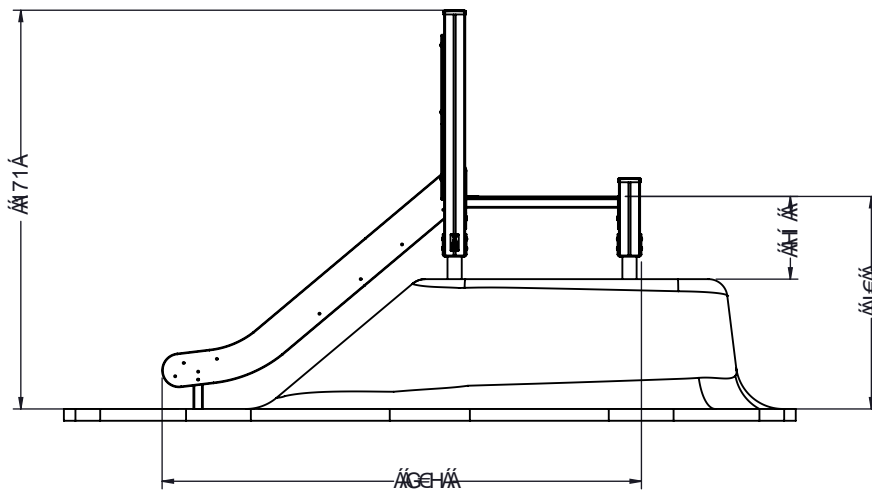
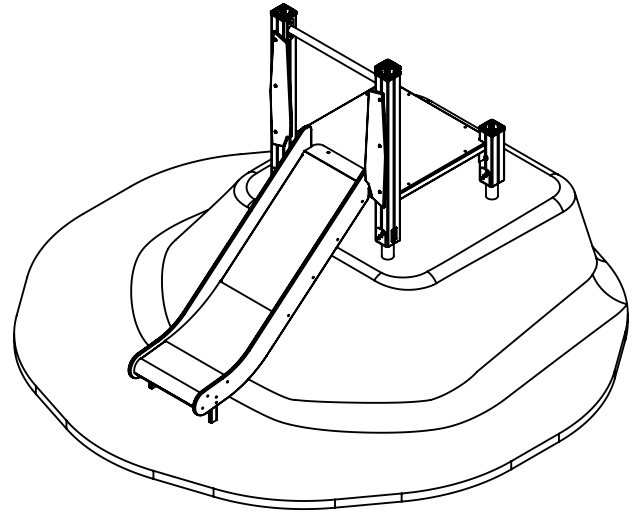
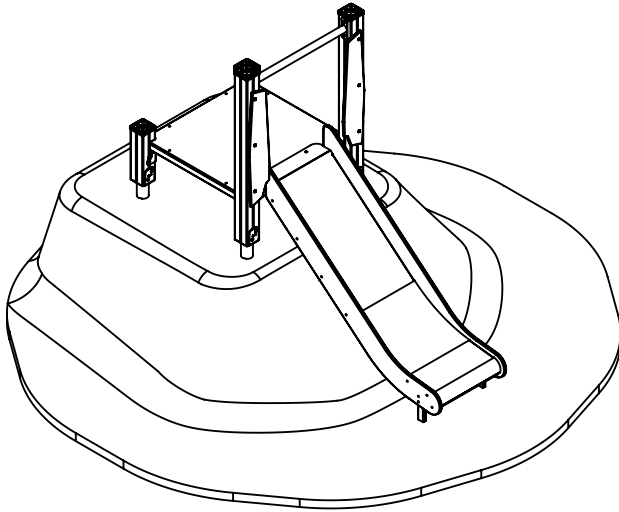


SCASH  
 T FEG FGE  
 CFi  
 BCH  
 B7 @ 898

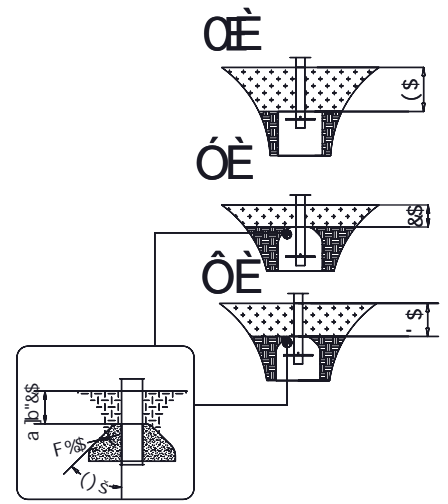
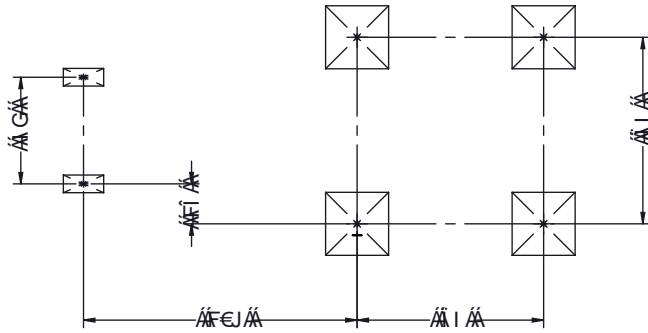
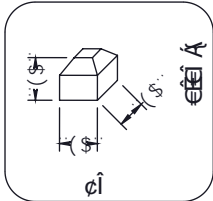
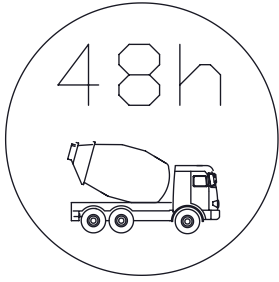





vinci play

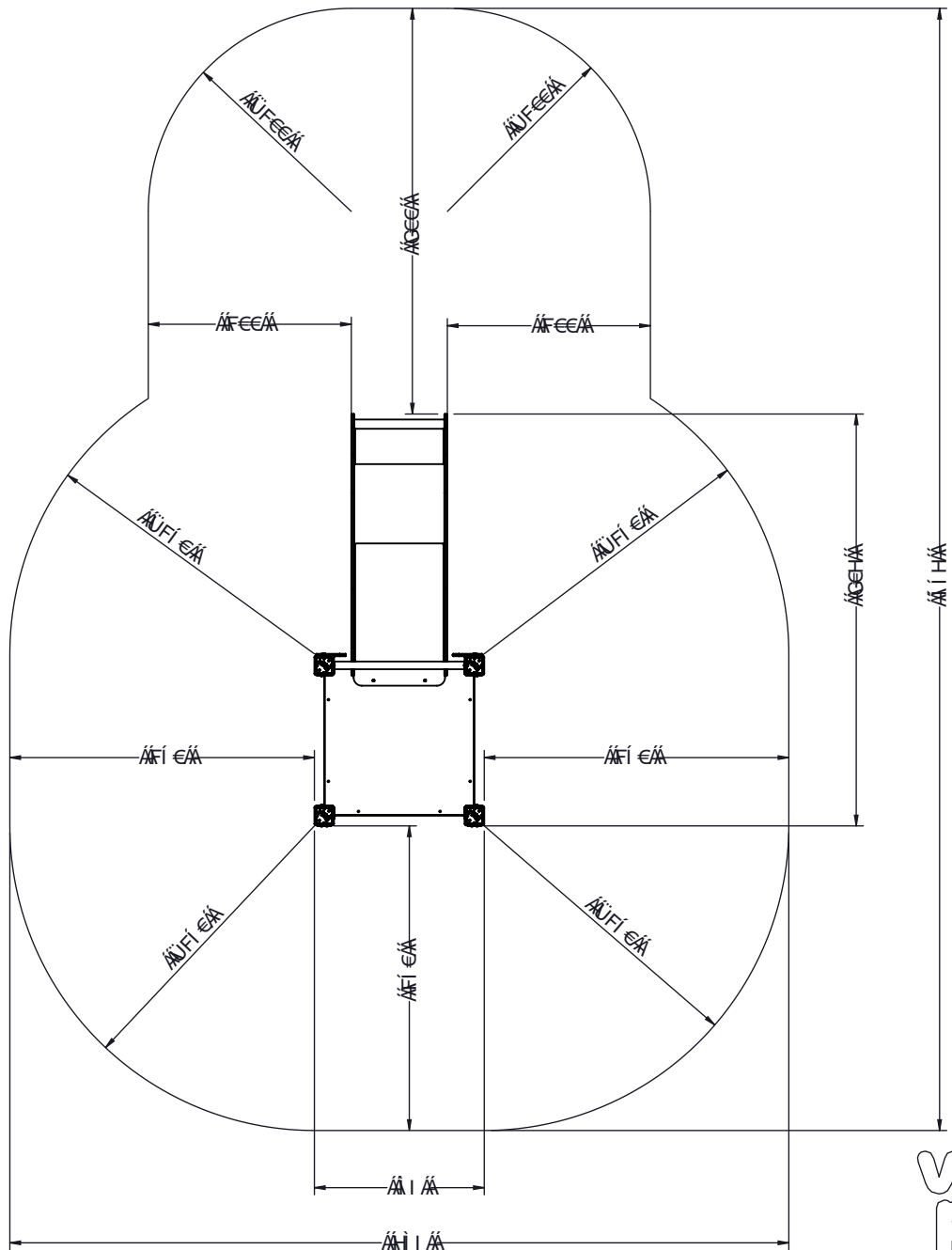
K 8% ( % )



K 8% ( % )



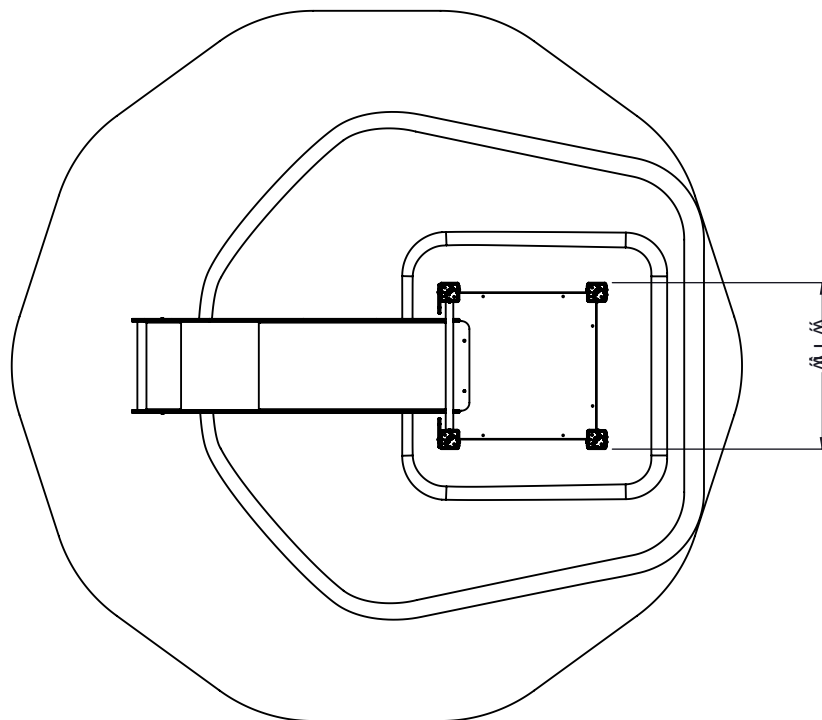
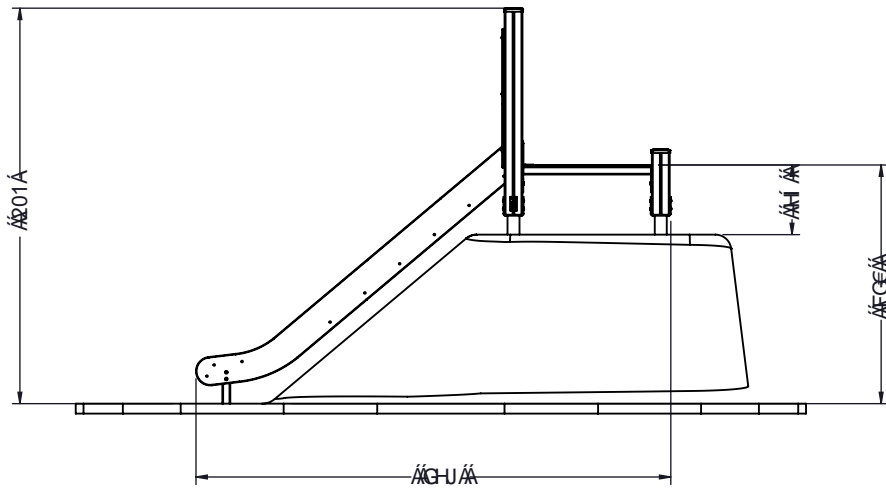
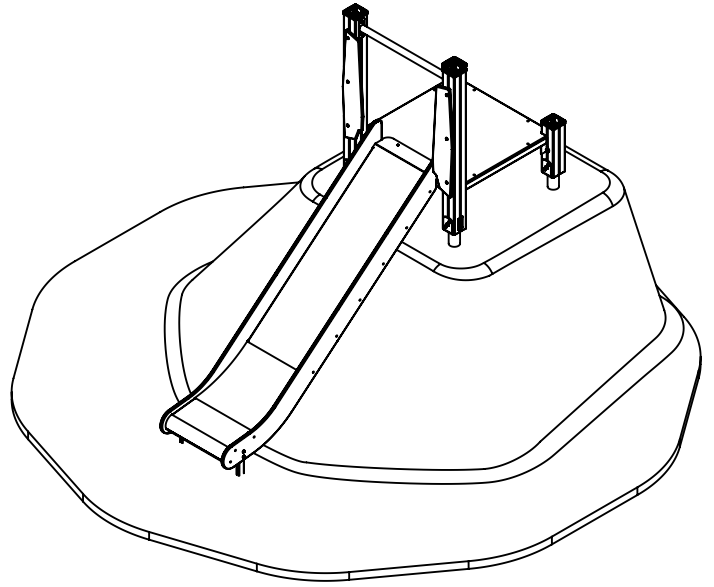
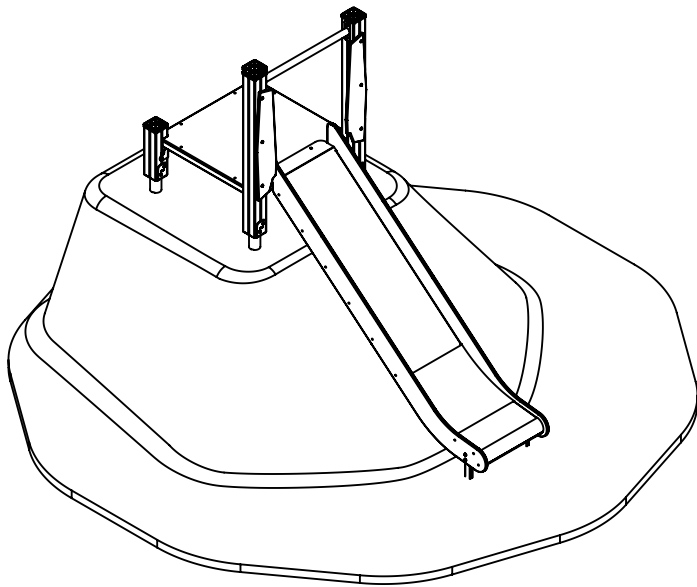
	SGZSH
T F € F G € ø F i	 <math>< Fe</math>
BCH	
B7 @ 898	



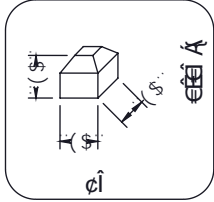
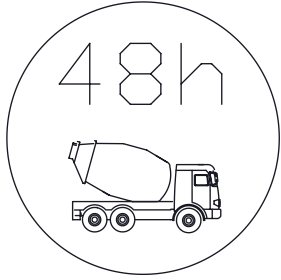
žá

vinci play

# K 8% (&



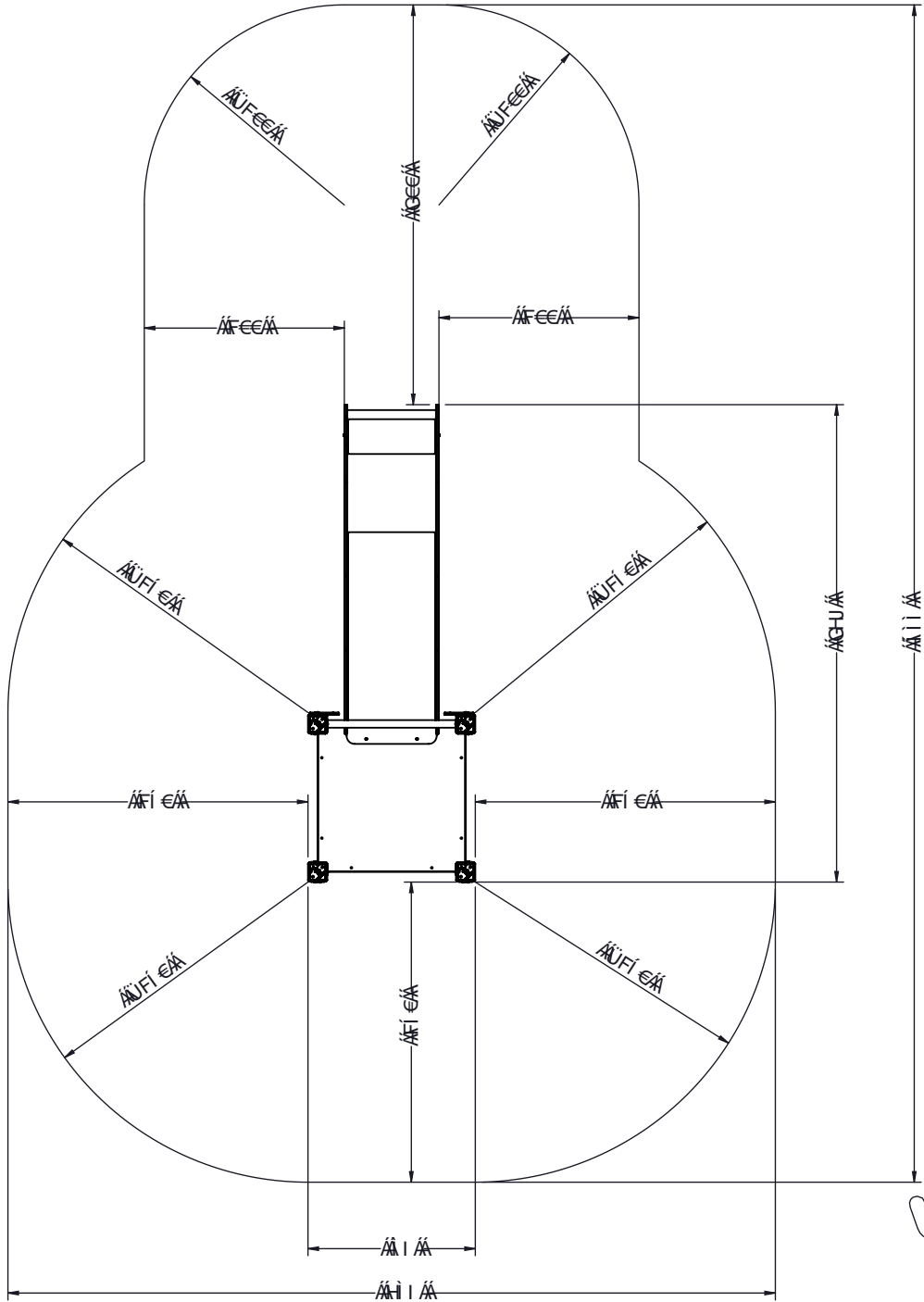
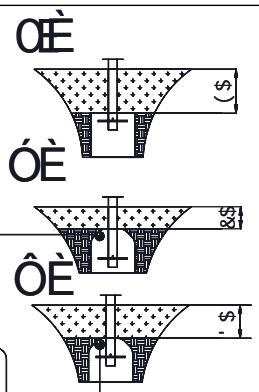
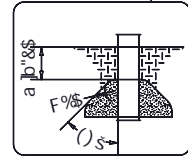
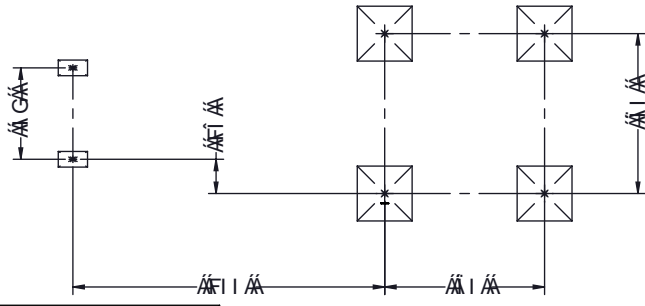
K 8% (&



SGZSH

T FEQ FGE  
CFI

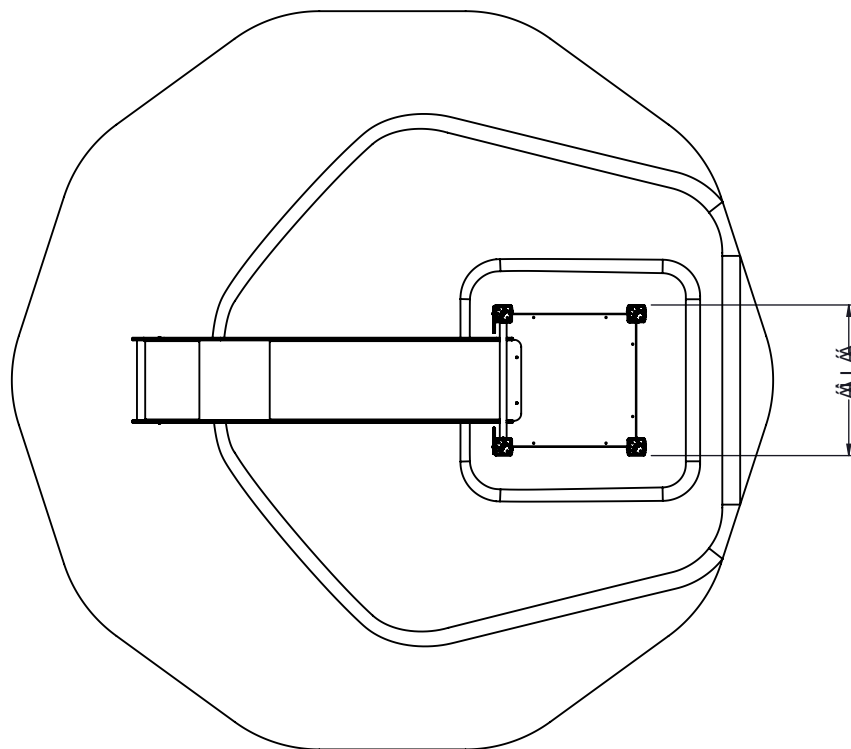
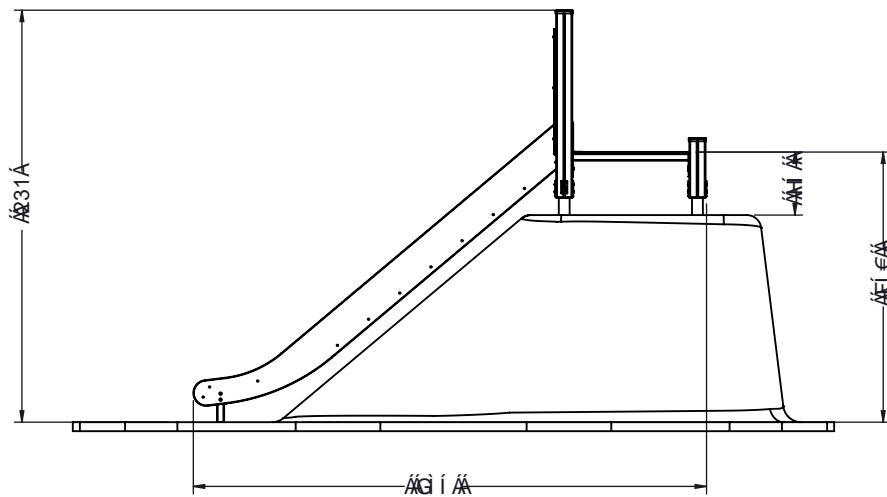
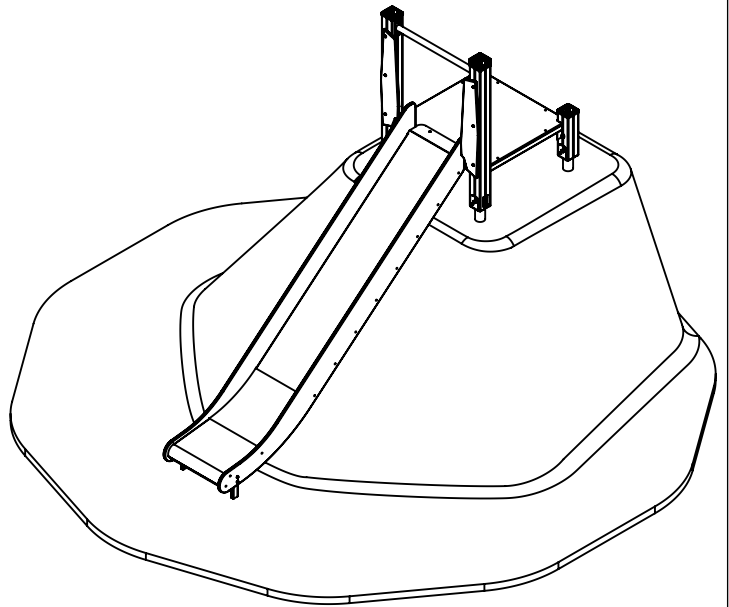
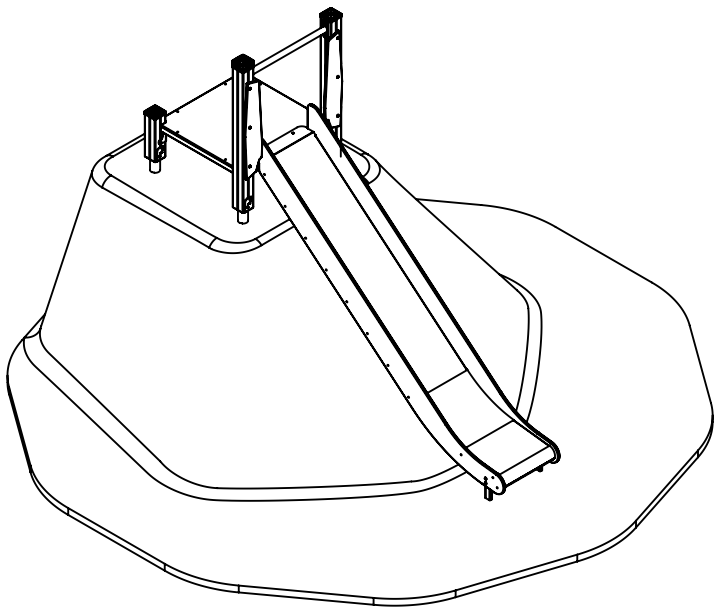
BCH  
B7 @ 898



žá

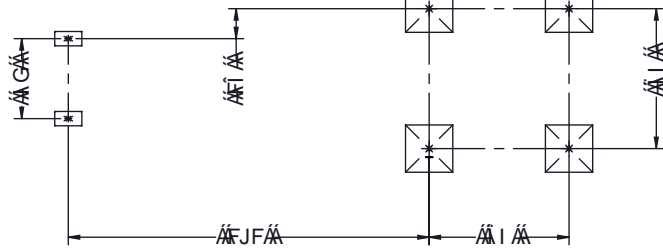
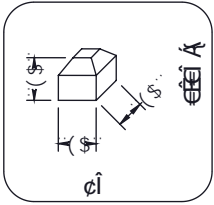
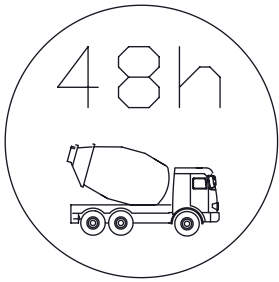
vinci play

K 8% ('





K 8% ('



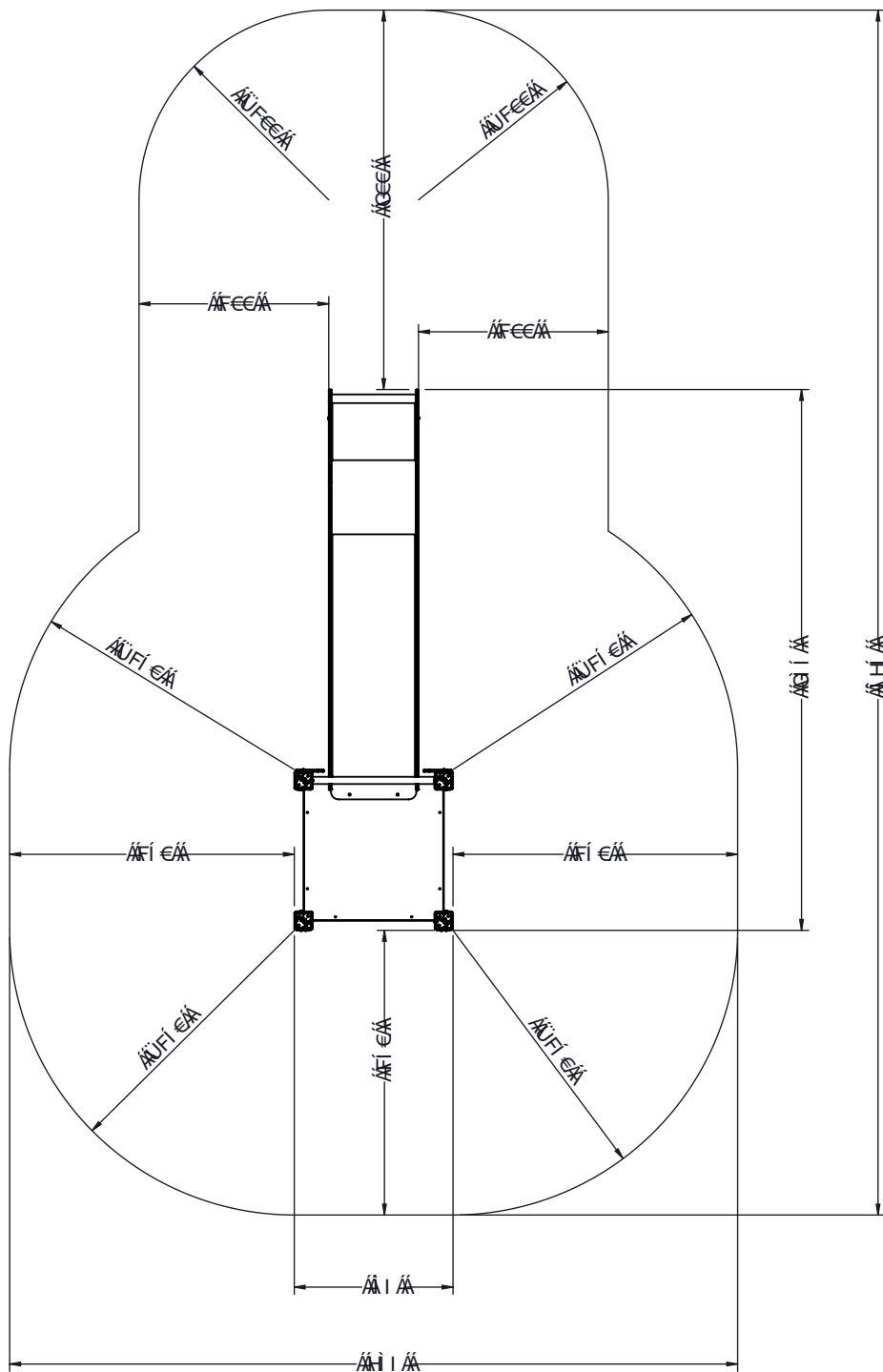
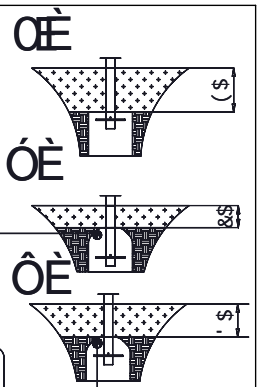
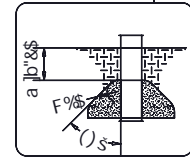
SGSH

T F E C F G E

c F i

BCH

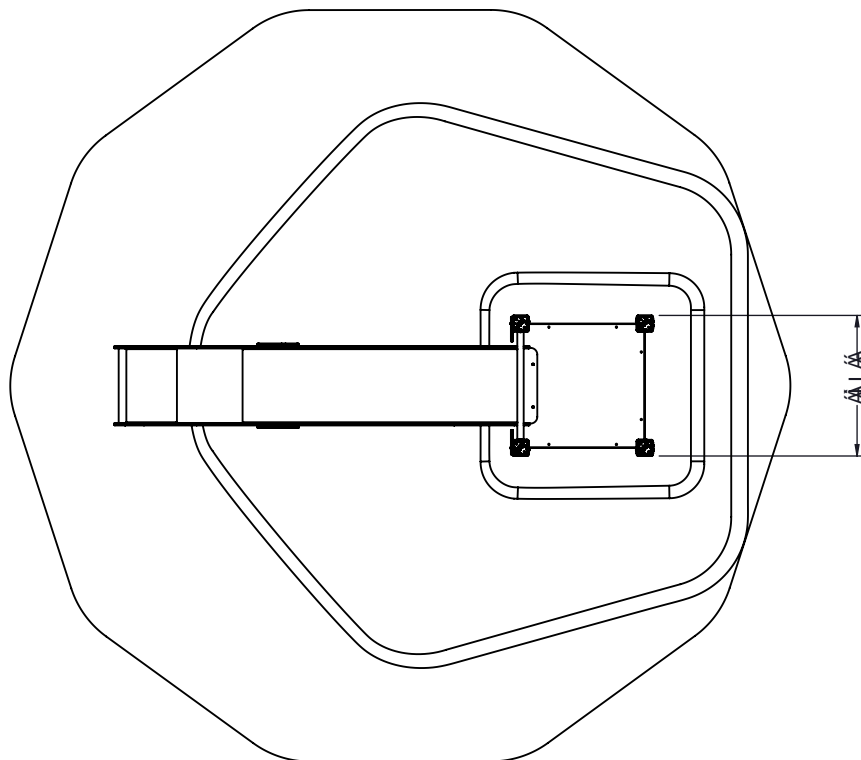
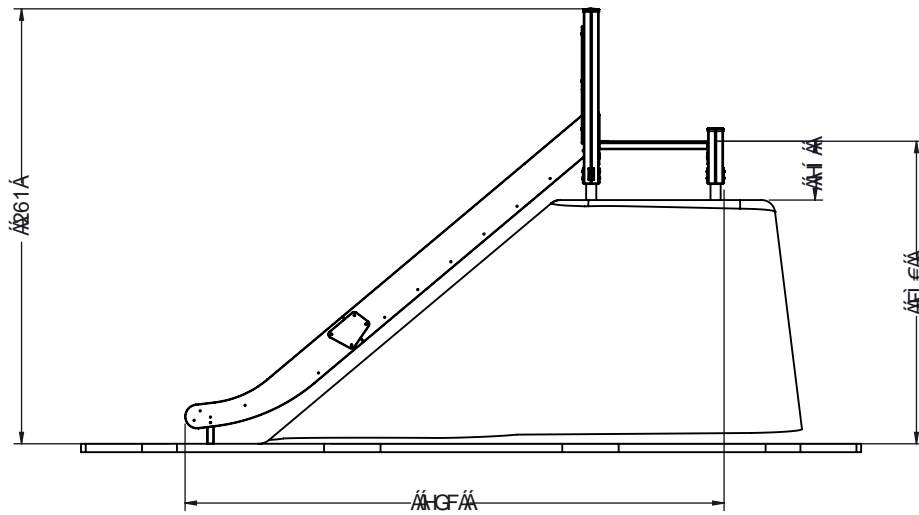
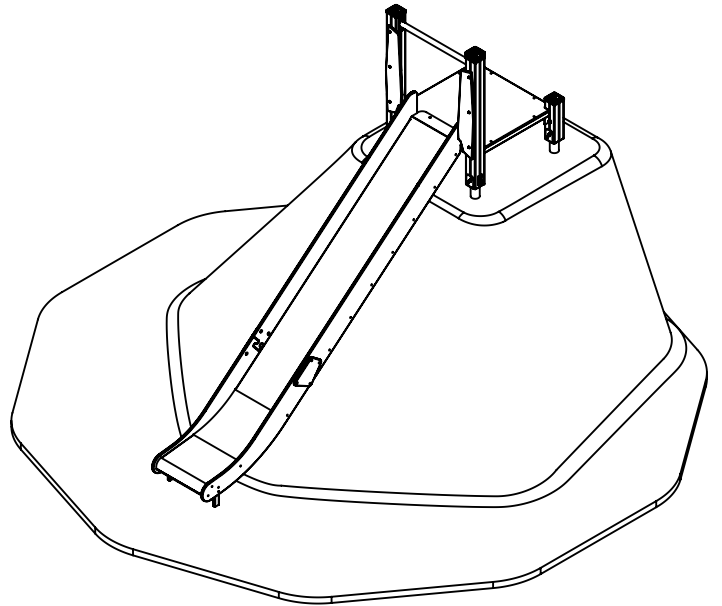
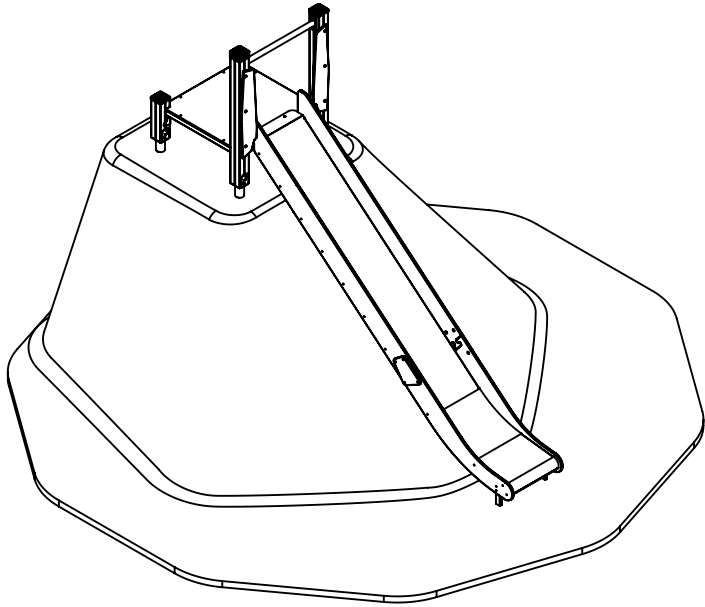
B7 @ 898



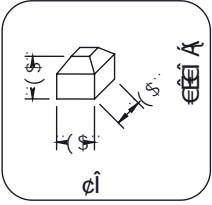
ž á

vinci play

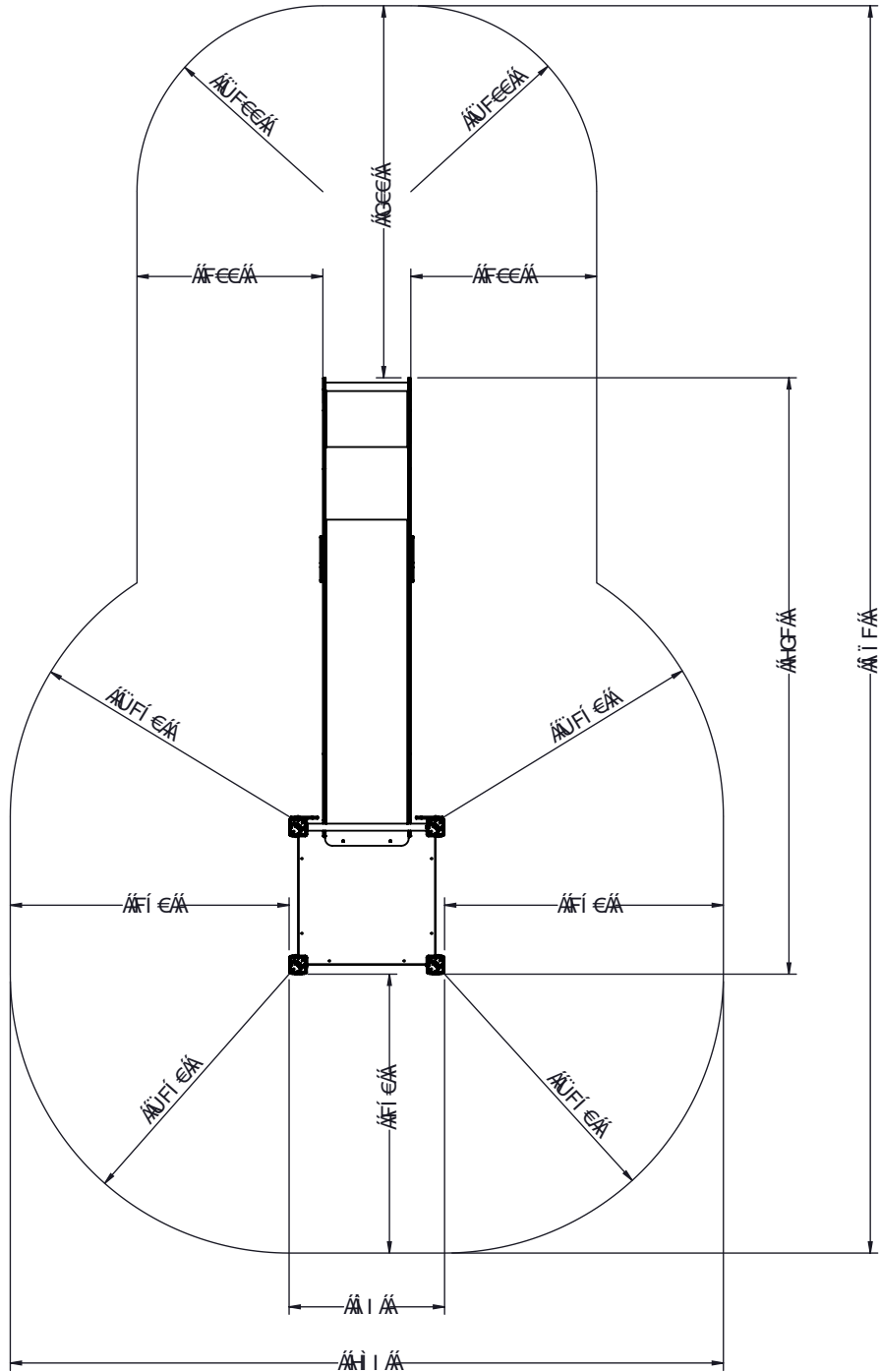
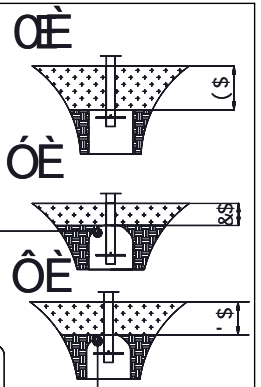
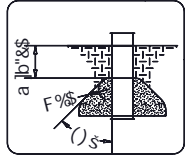
K 8% ( (



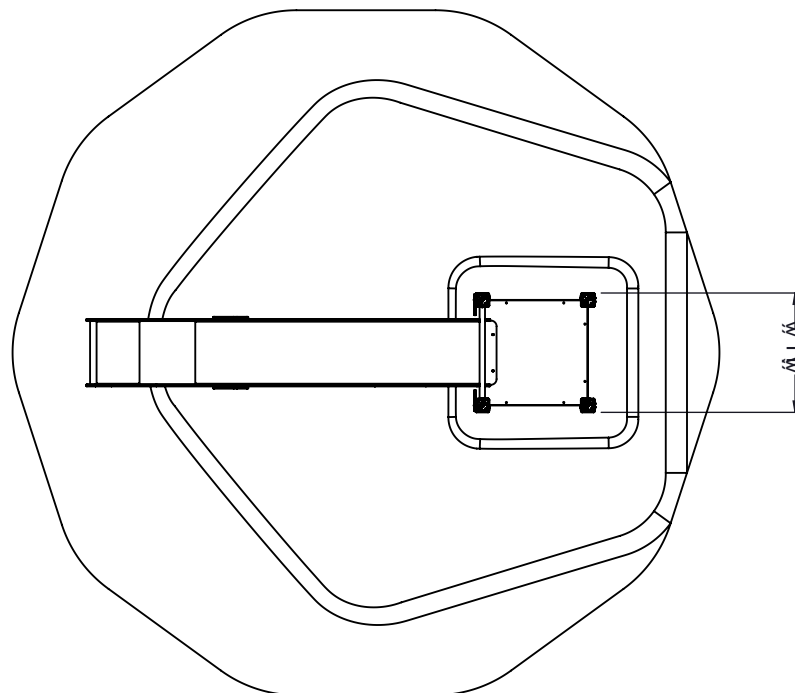
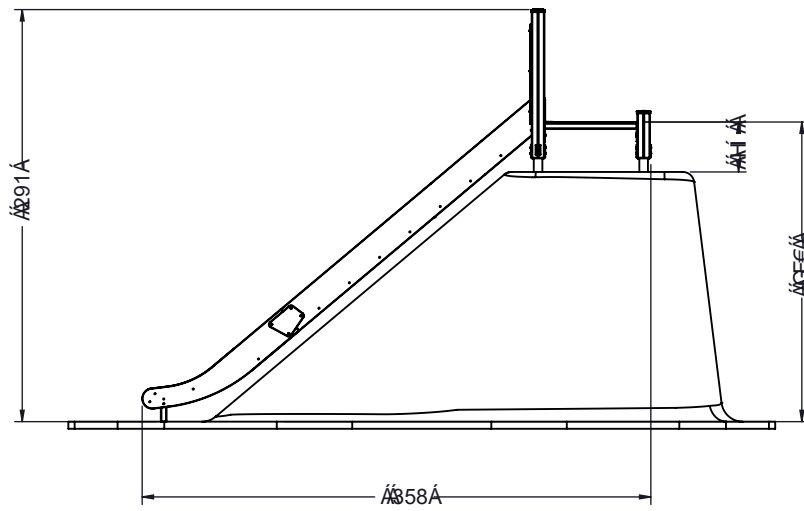
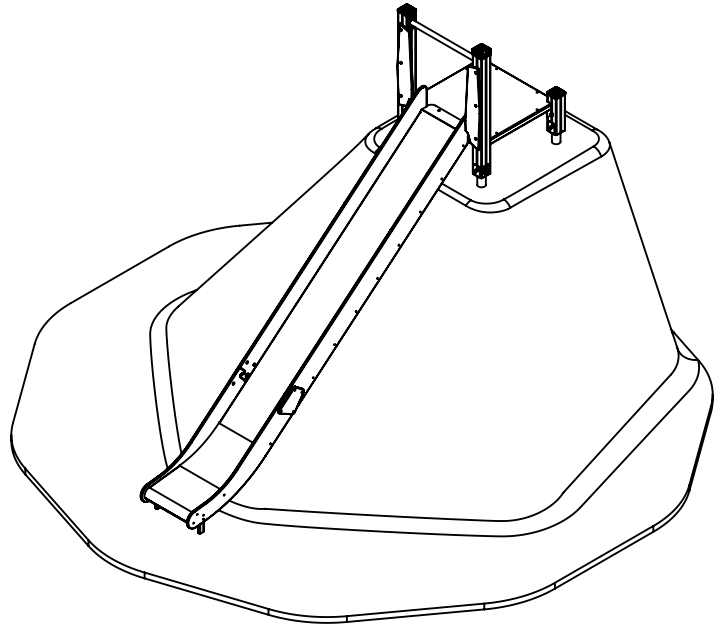
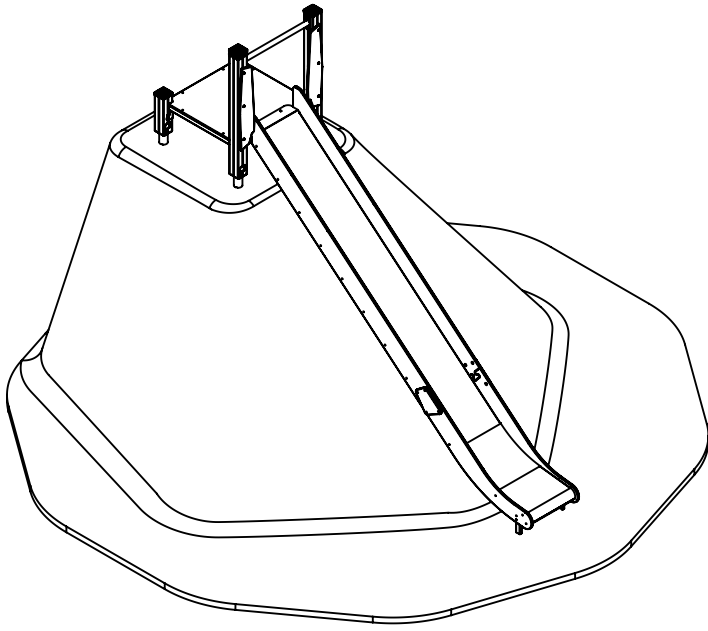
K 8%



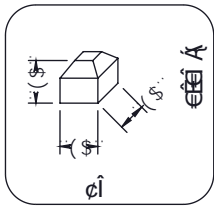
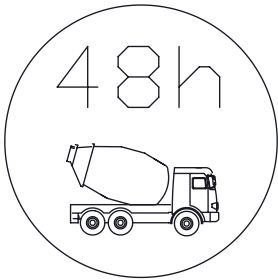
	SGASH
T FCFGE CFI	
BCH B7 @ 898	



K 8% ( )



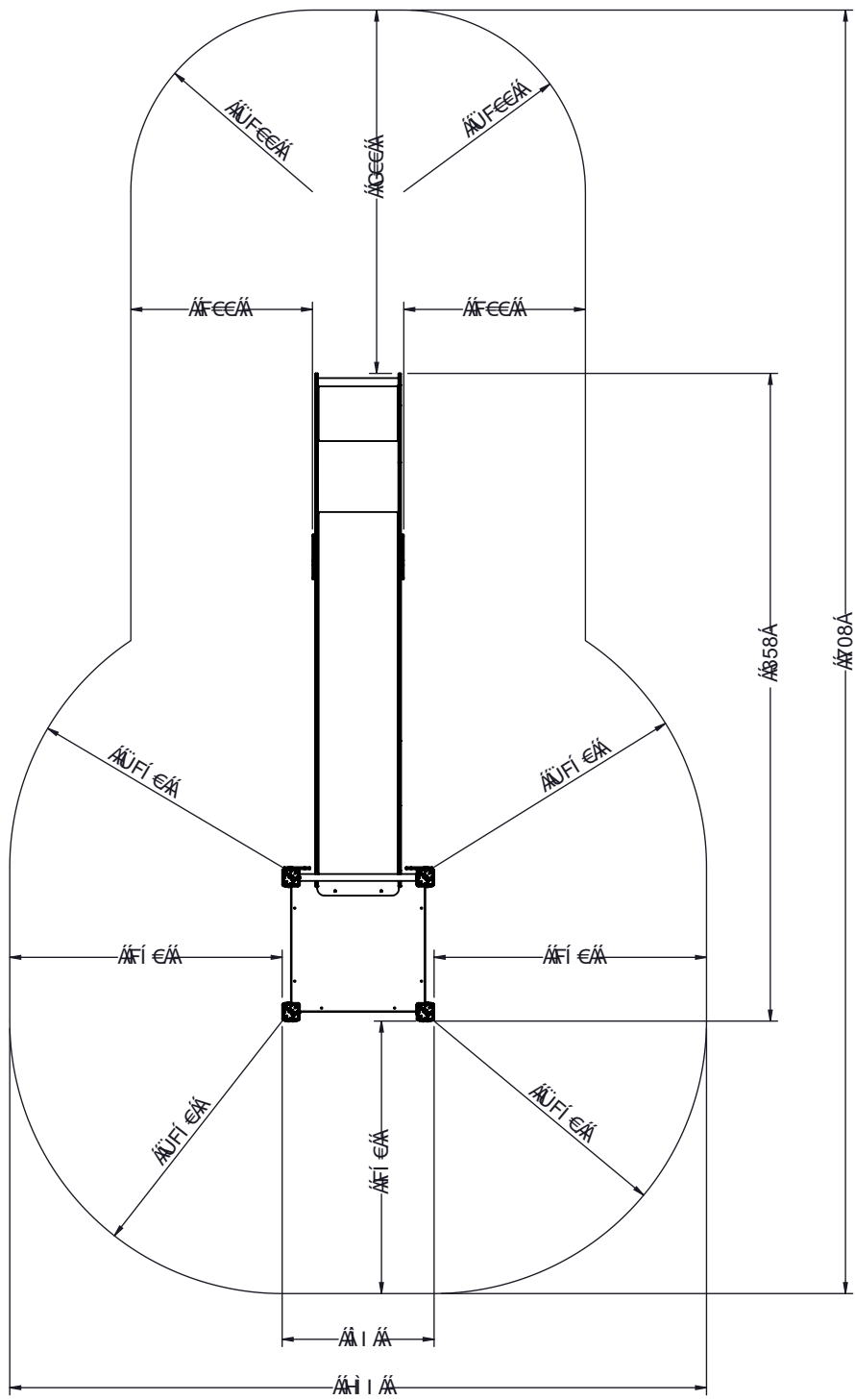
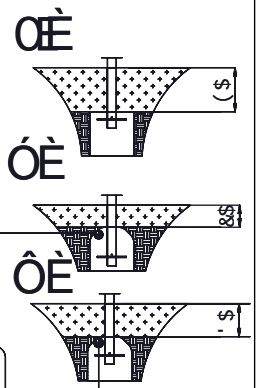
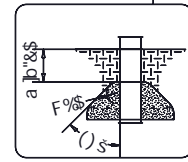
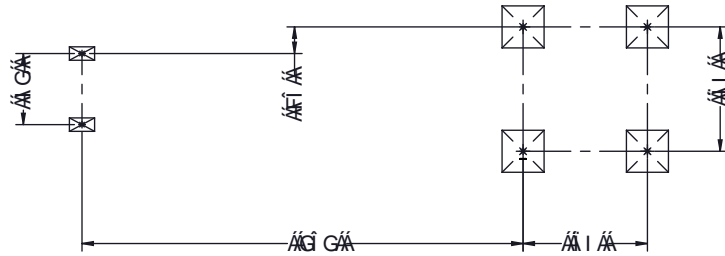
K 8% ( )



SGASH

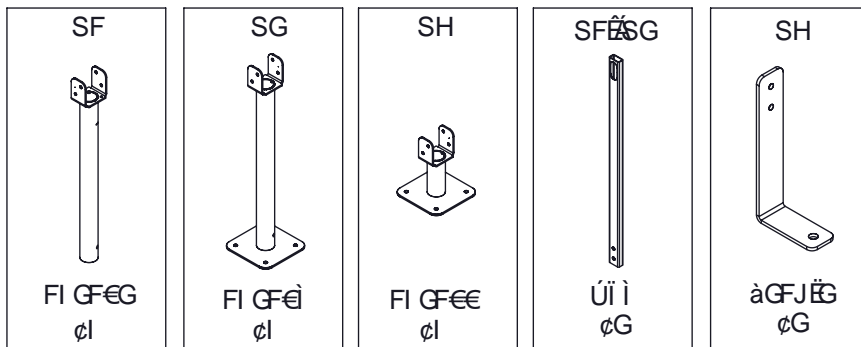
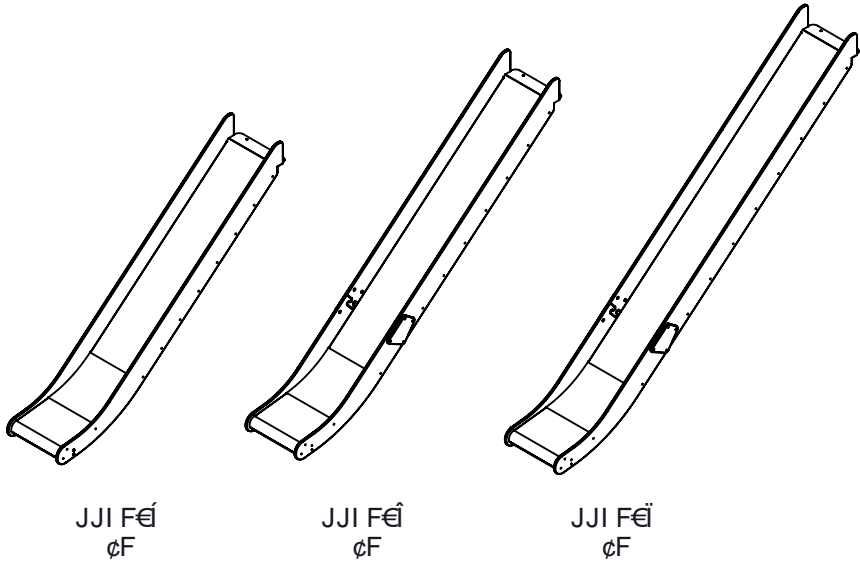
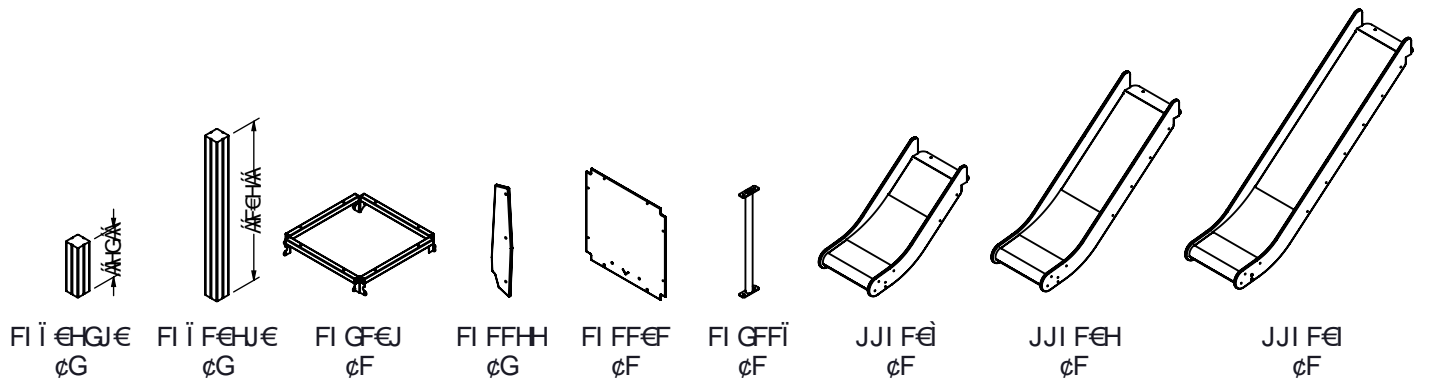
T F E C F G E  
Ø F I

BCH  
B7 @ 898

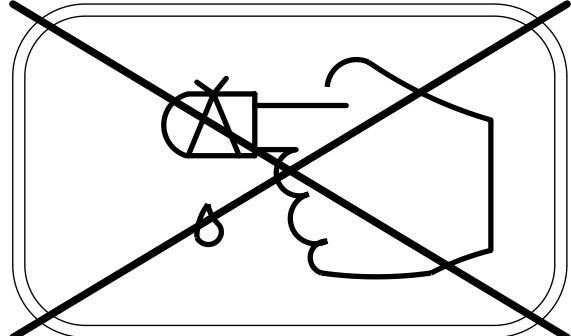
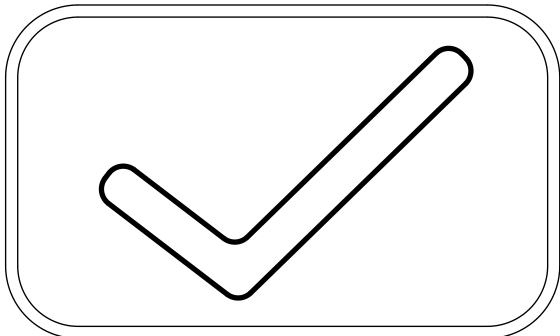
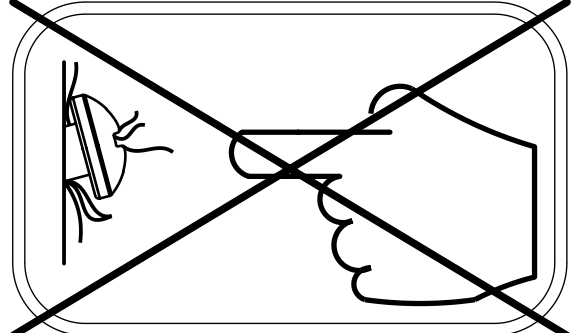
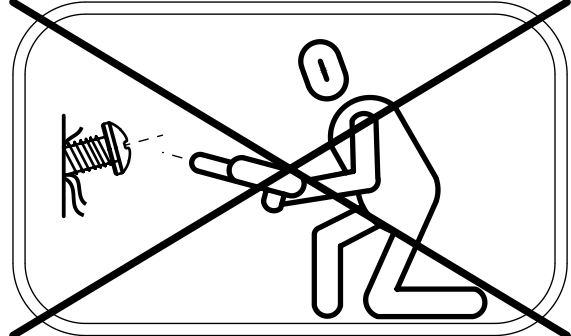


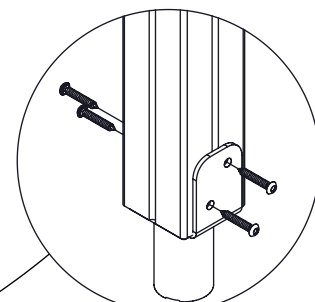
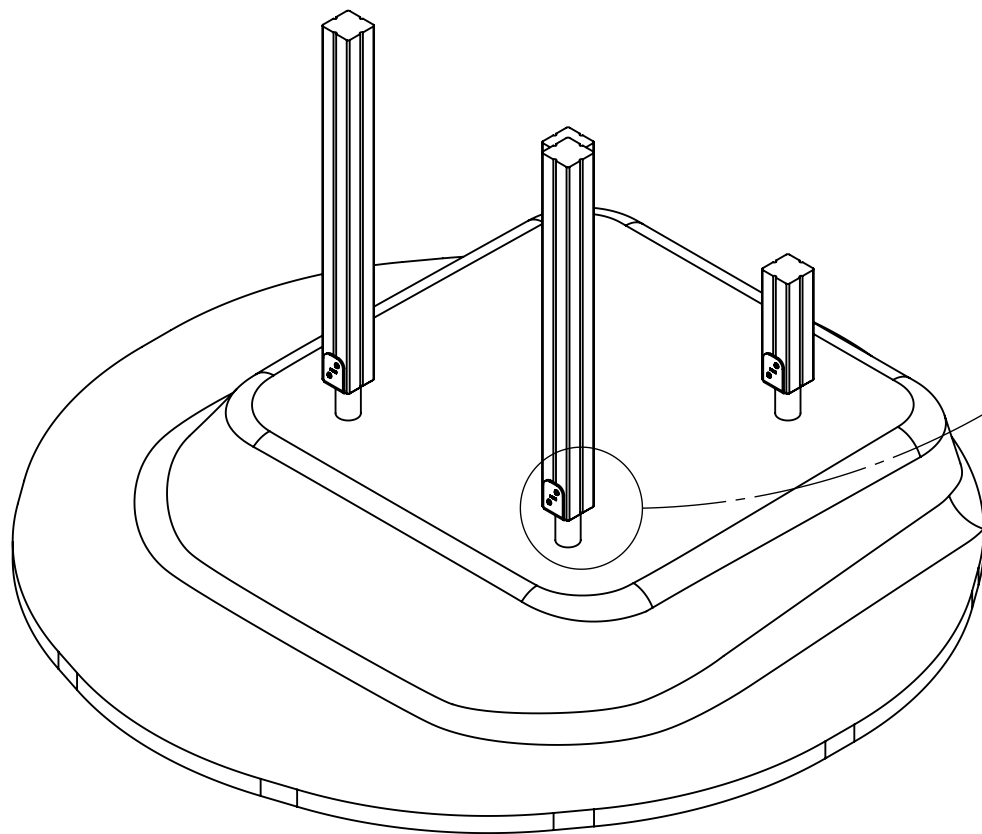
žá á

vinci play

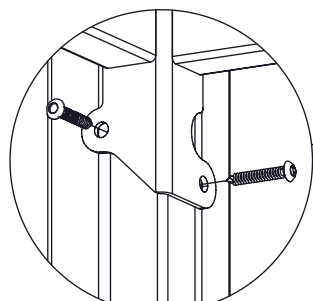


		ÚŠŸŸ U U Ö Ö Á P Ö U Ö		P Ú Š	
H $\varnothing$	ì c í € Á c ä	F $\varnothing$	Y Ö I I	F $\varnothing$	Y Ö I I
I $\varnothing$	Y Ö F	F $\varnothing$	Y Ö G Á $\varnothing$ J D	F $\varnothing$	Y Ö G Á $\varnothing$ J D
F $\varnothing$	Ö H Á $\varnothing$ F E S H D	F $\varnothing$	Y Ö F F H Á $\varnothing$ J I D		Y Ö F F I Á $\varnothing$ J I D
F $\varnothing$	Ö H Á $\varnothing$ S C D				
F $\varnothing$	X € F				

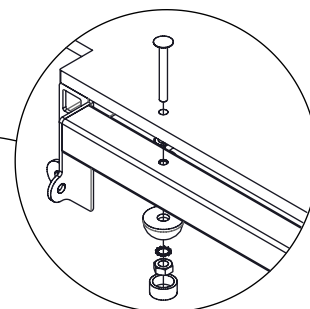




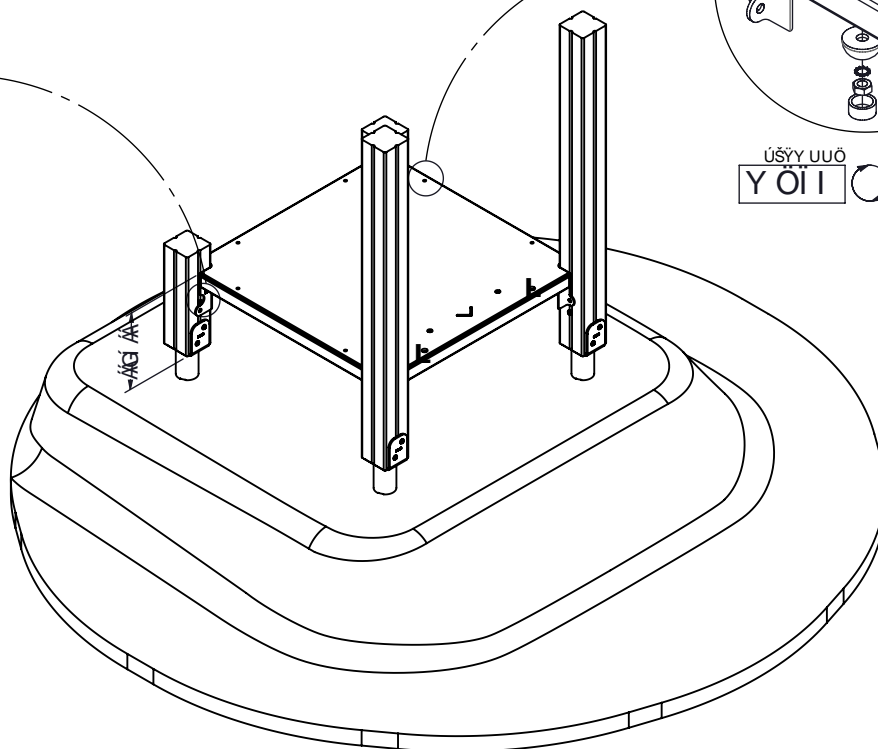
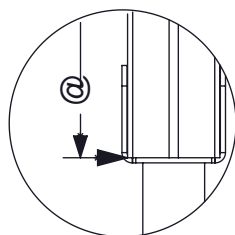
I CI EA CĀ



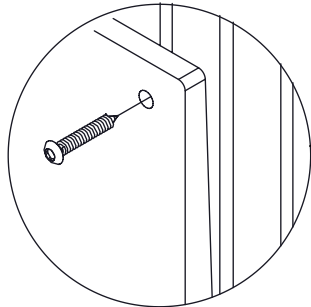
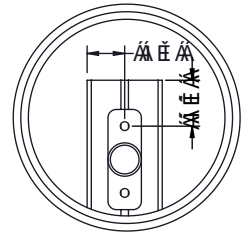
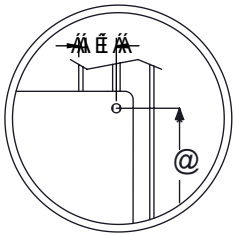
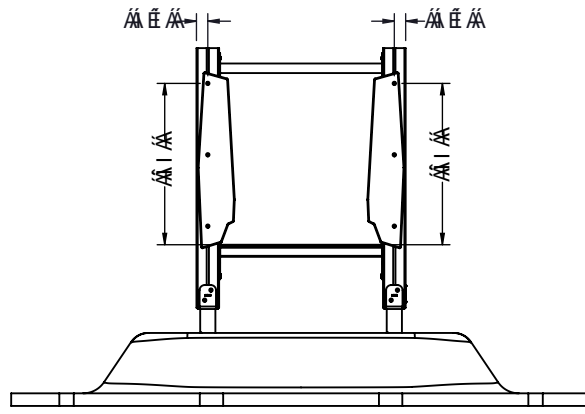
I CI EA CĀ



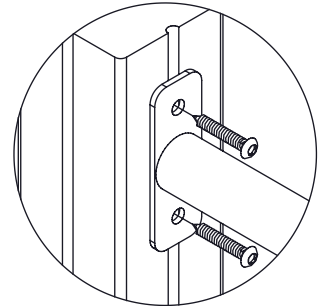
ŪŠŸŸ UUŌ PŪŠ  
YŌI YŌI



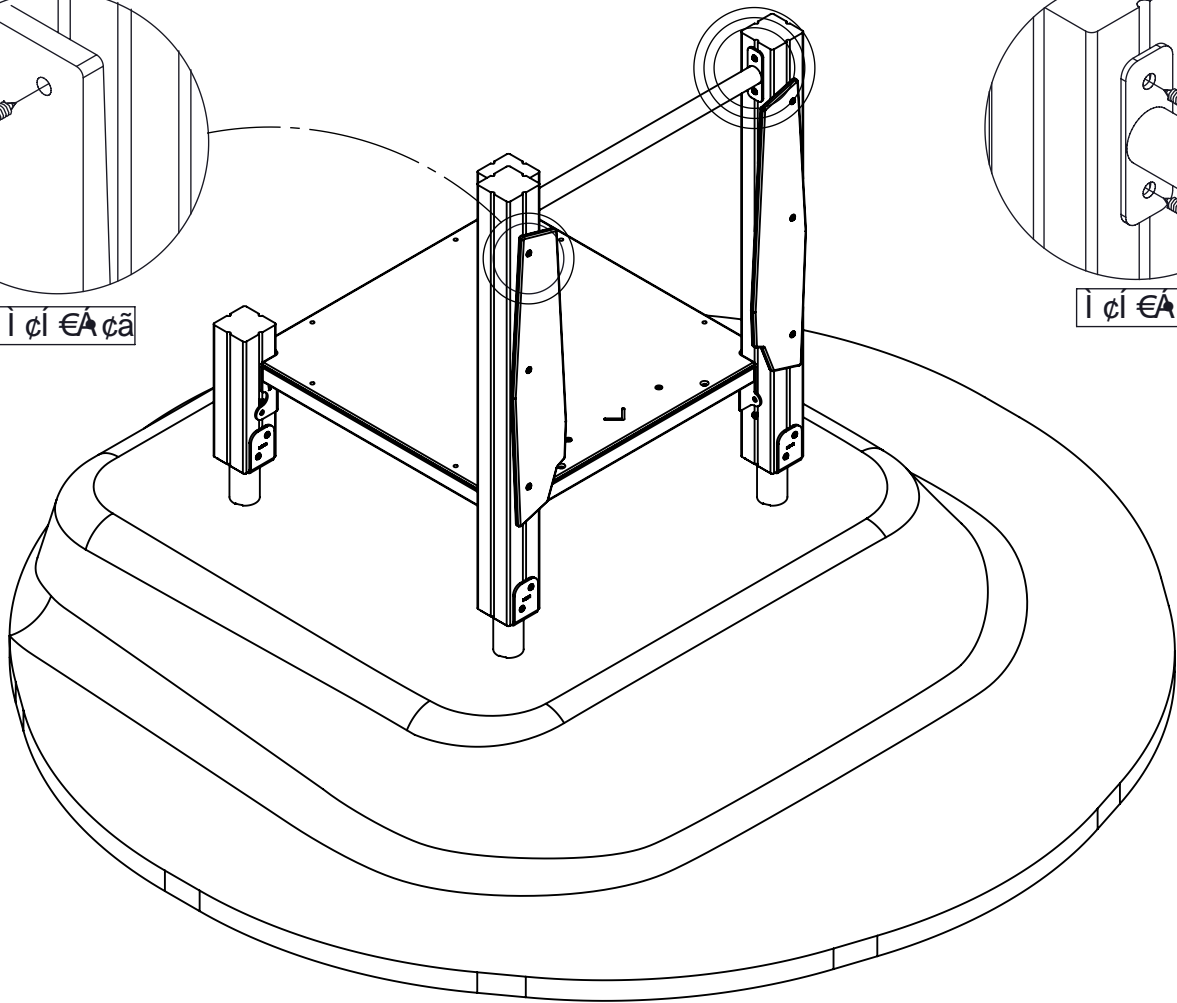


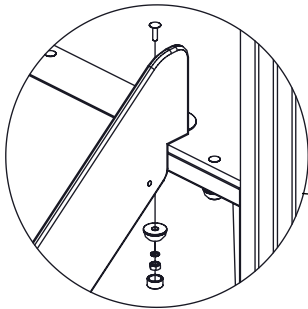


1 cí €A cã

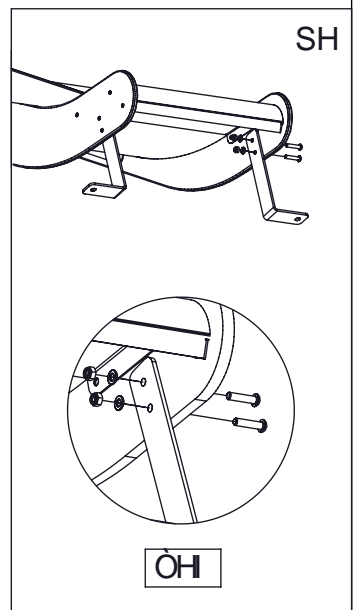
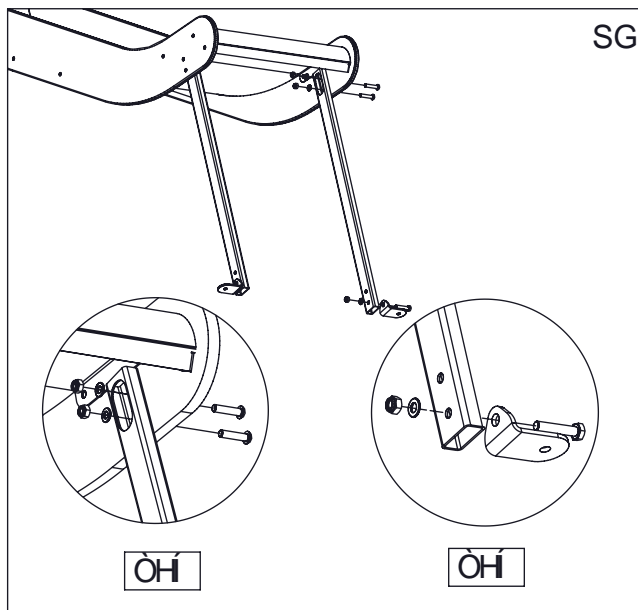
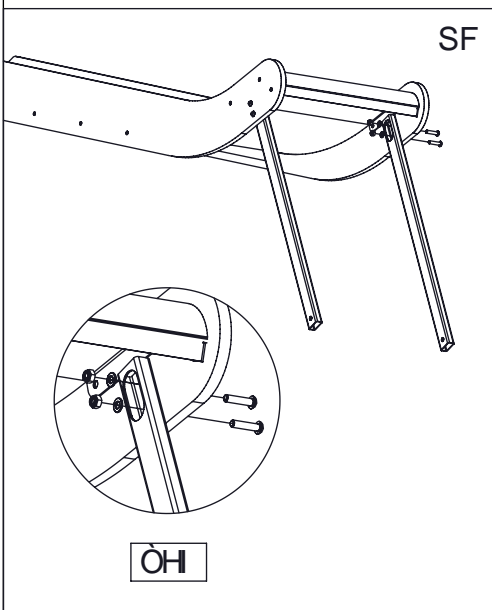
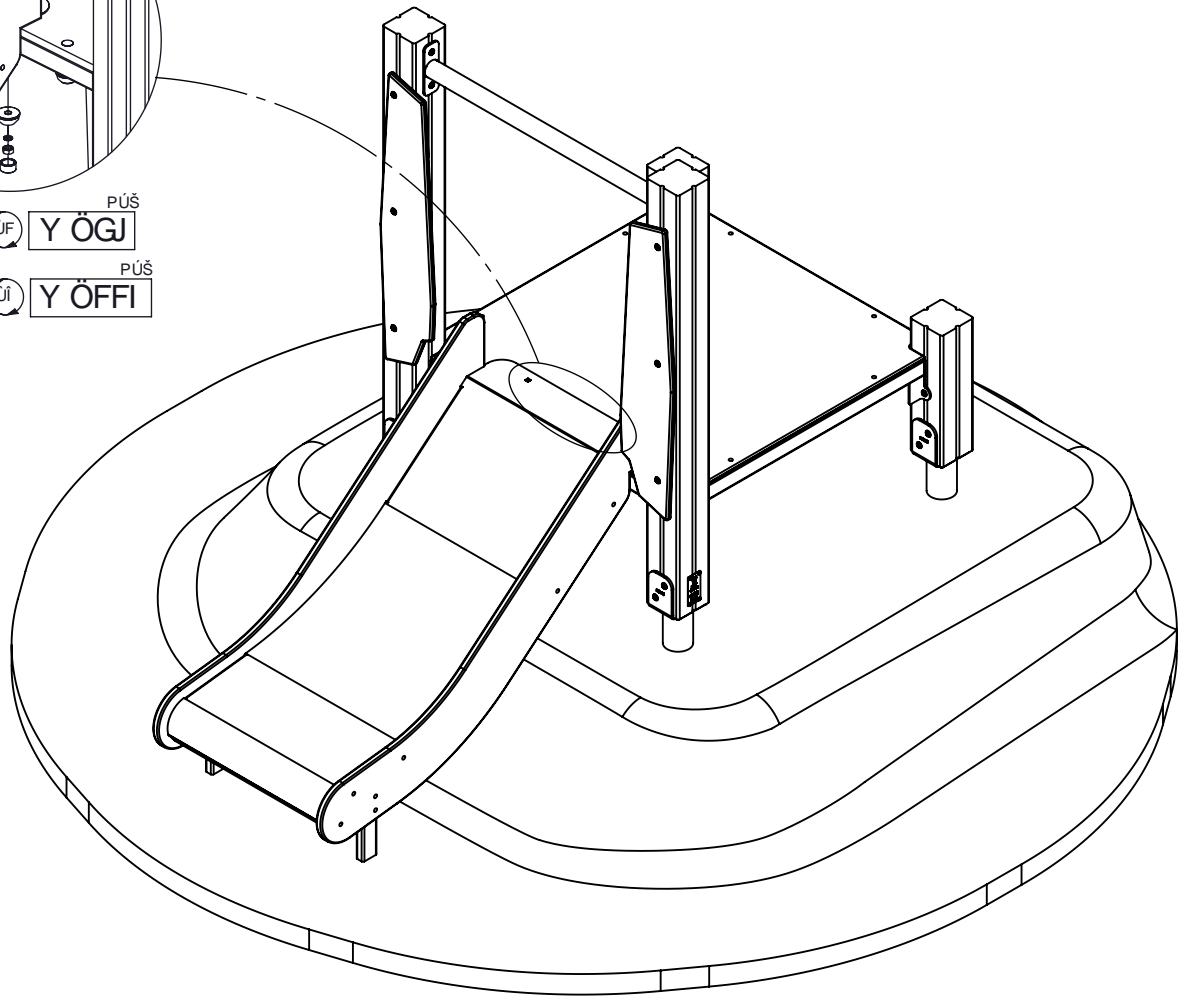


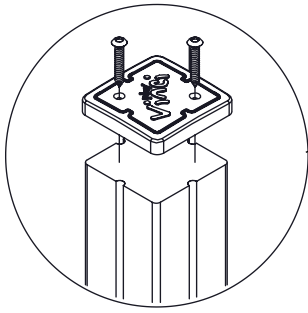
1 cí €A cã



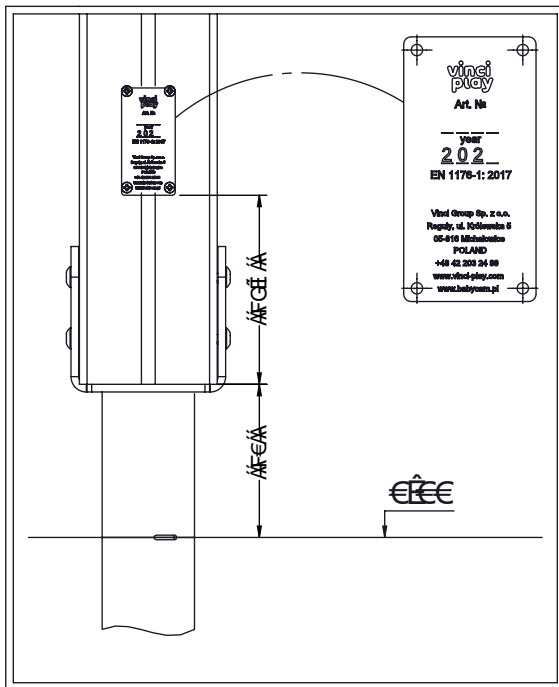
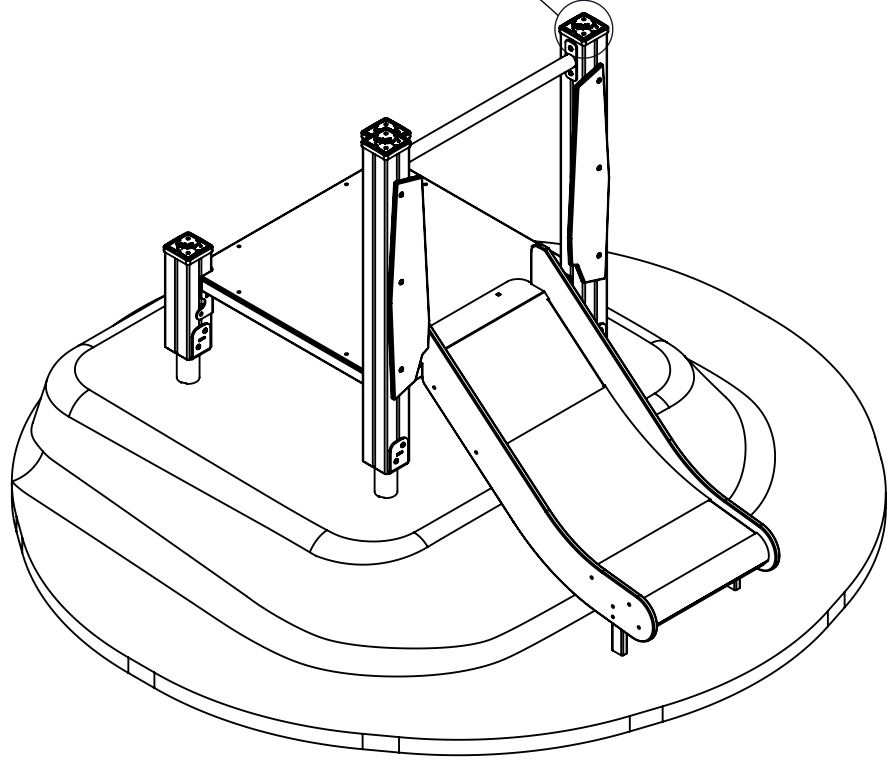


ÚŠÝY UUÓ PÚŠ  
 Y ÓG UF Y ÓGJ  
 ÚŠÝY UUÓ PÚŠ  
 Y ÓFFH Uí Y ÓFFI

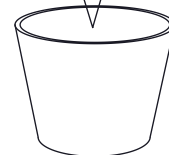
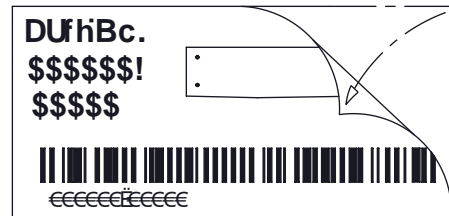




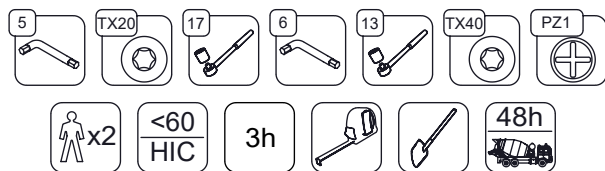
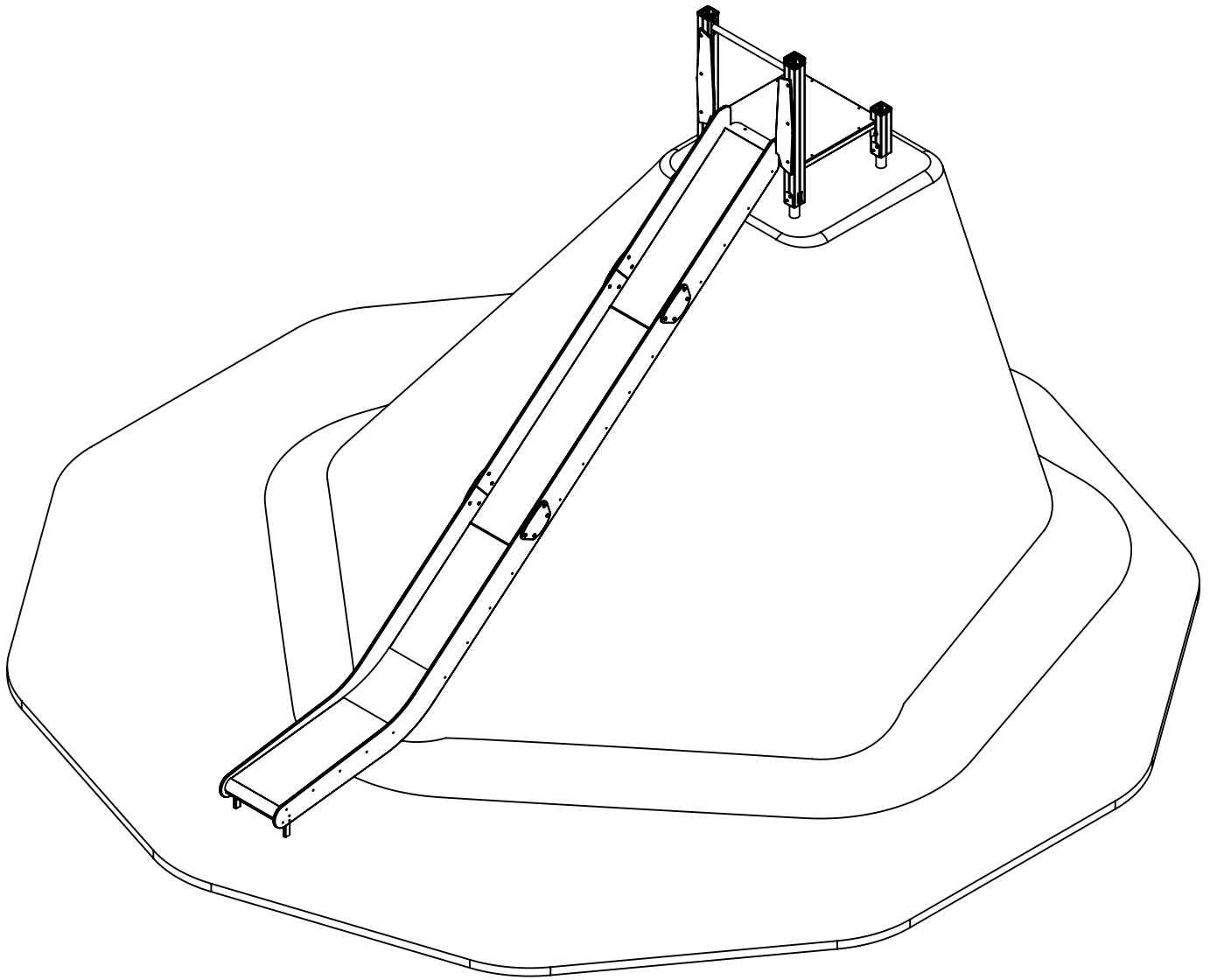
Y ÖF



X EEF



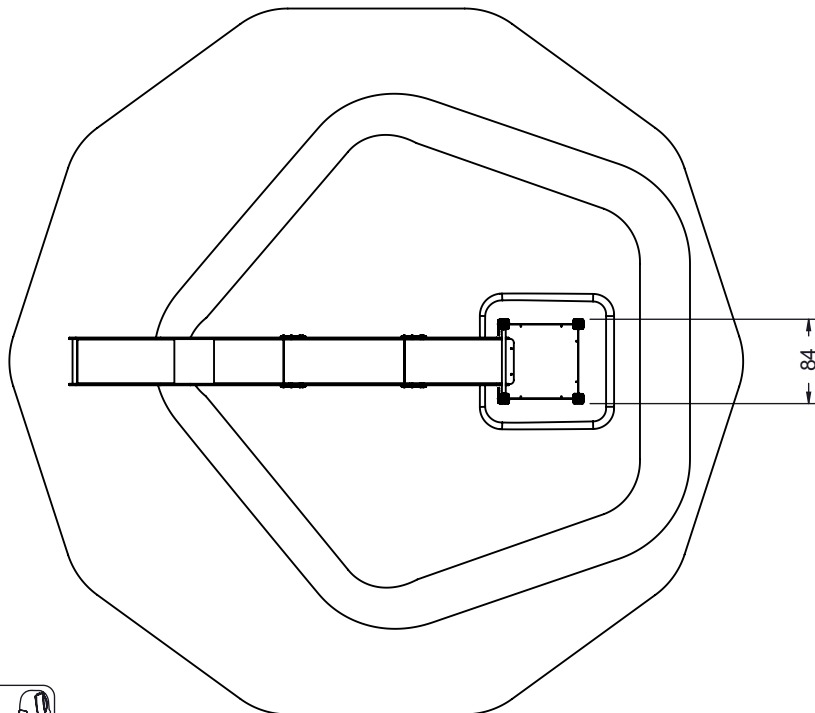
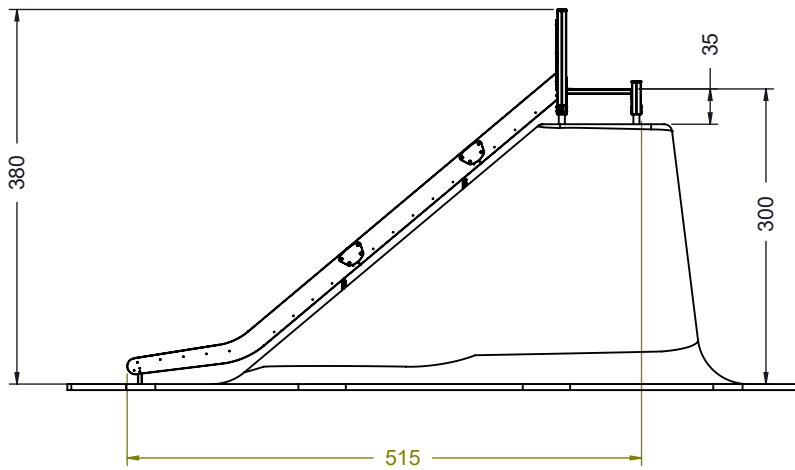
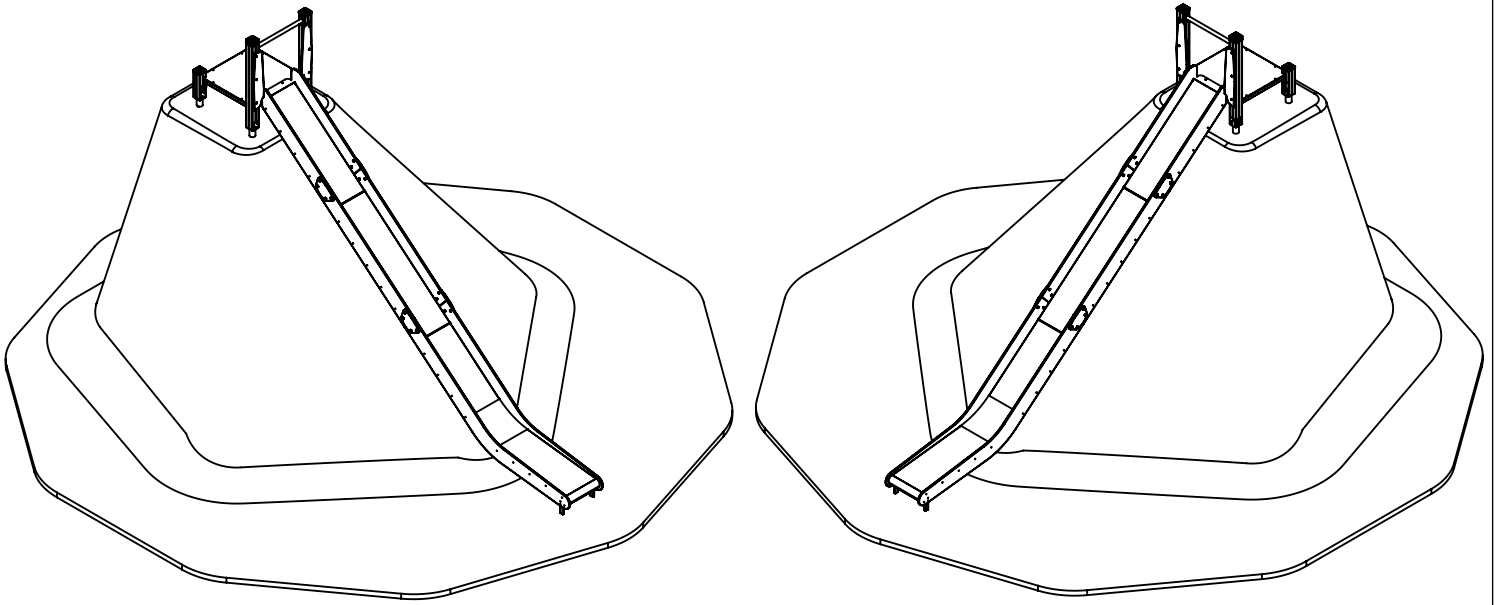
# WD1446-1448



v014  
11.05.2021  
A. H.  
[cm]

vinci  
play

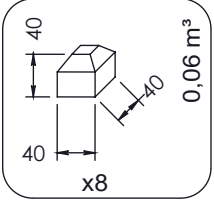
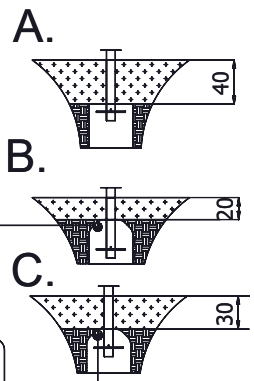
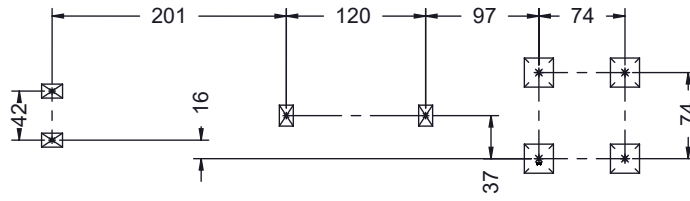
# WD1446



[cm]

vinci  
play

# WD1446

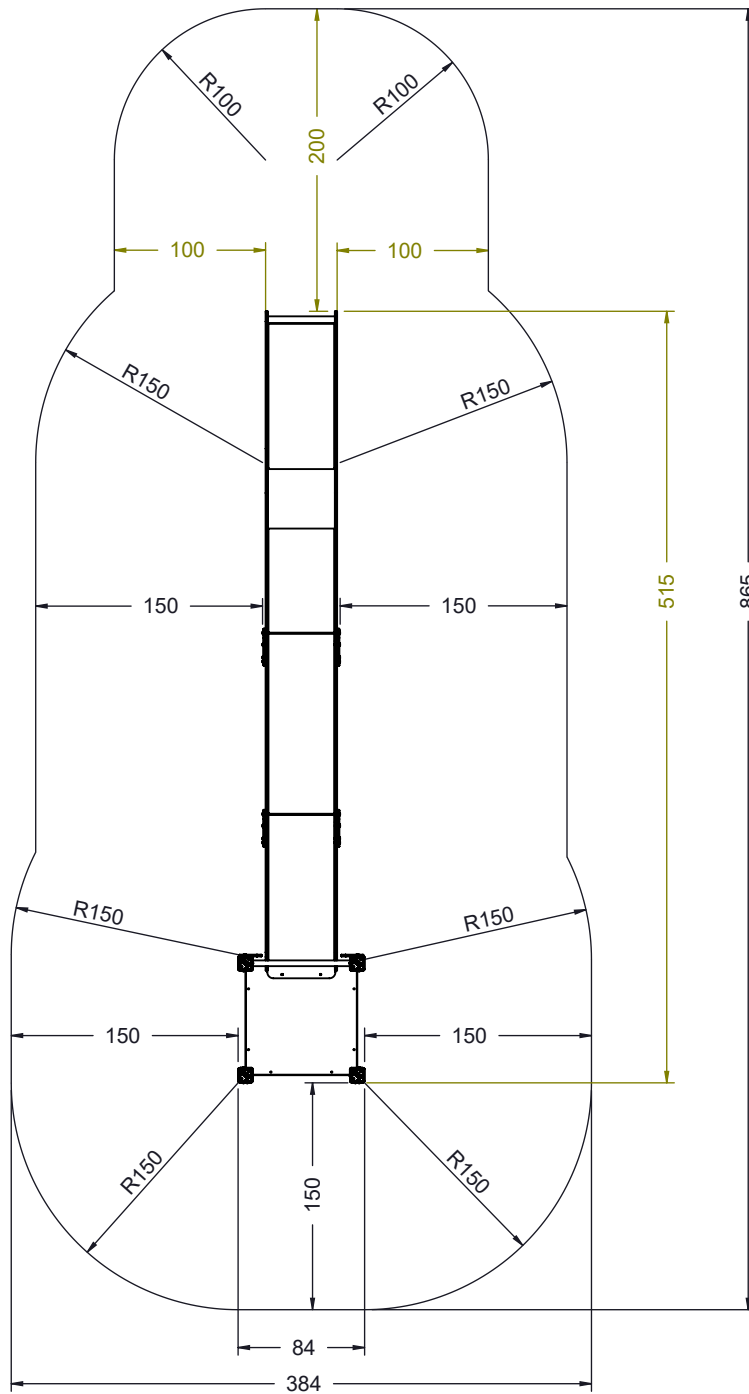
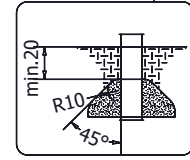


K2, K3

M10x120  
x18

Ø10

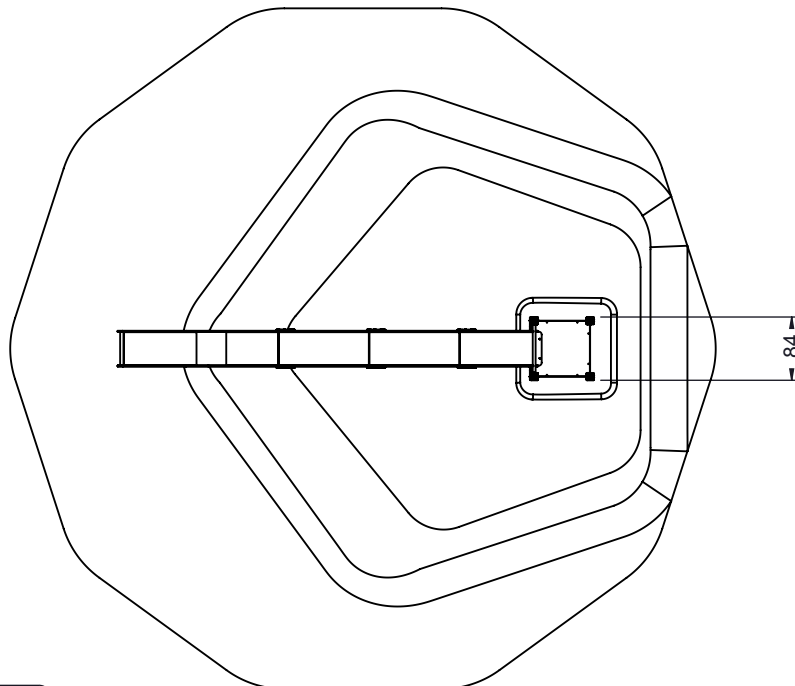
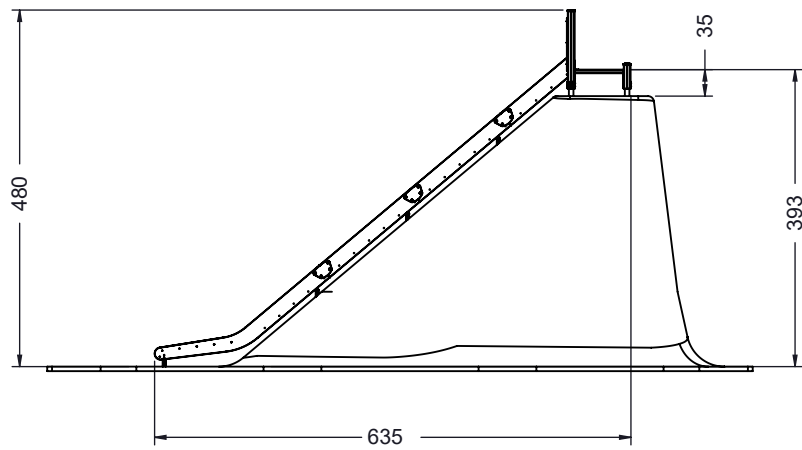
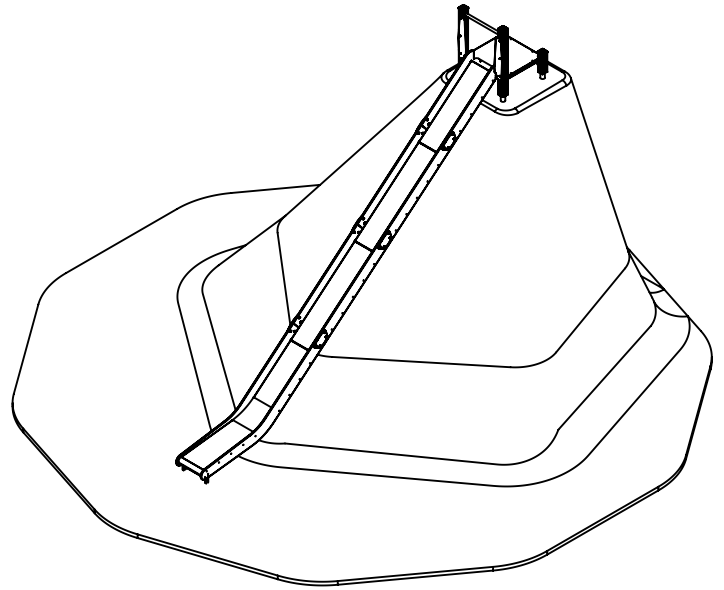
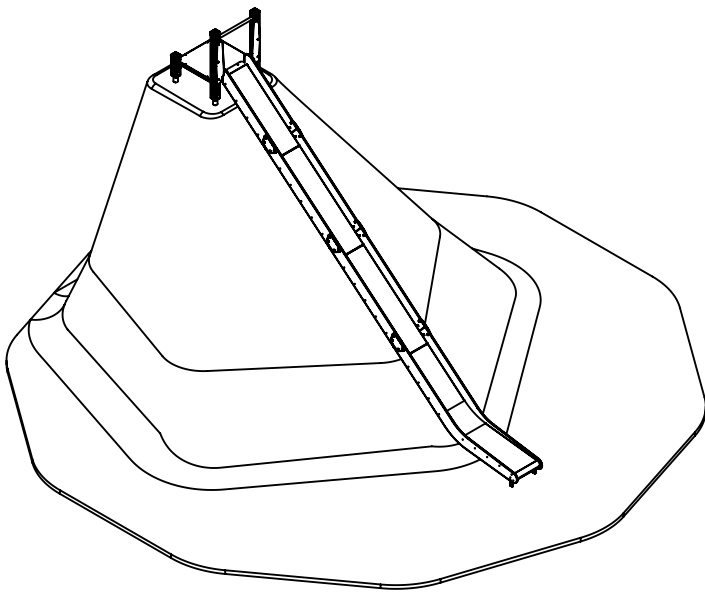
**NOT INCLUDED**



[cm]

vinci  
play

WD1447

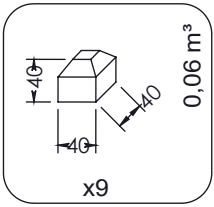
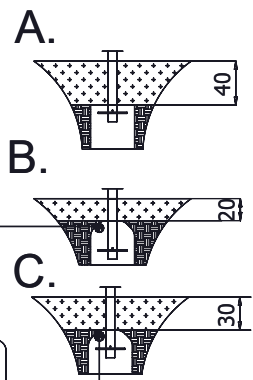
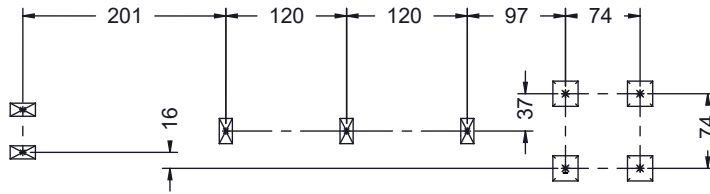


[cm]



vinci  
play

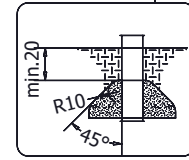
# WD1447



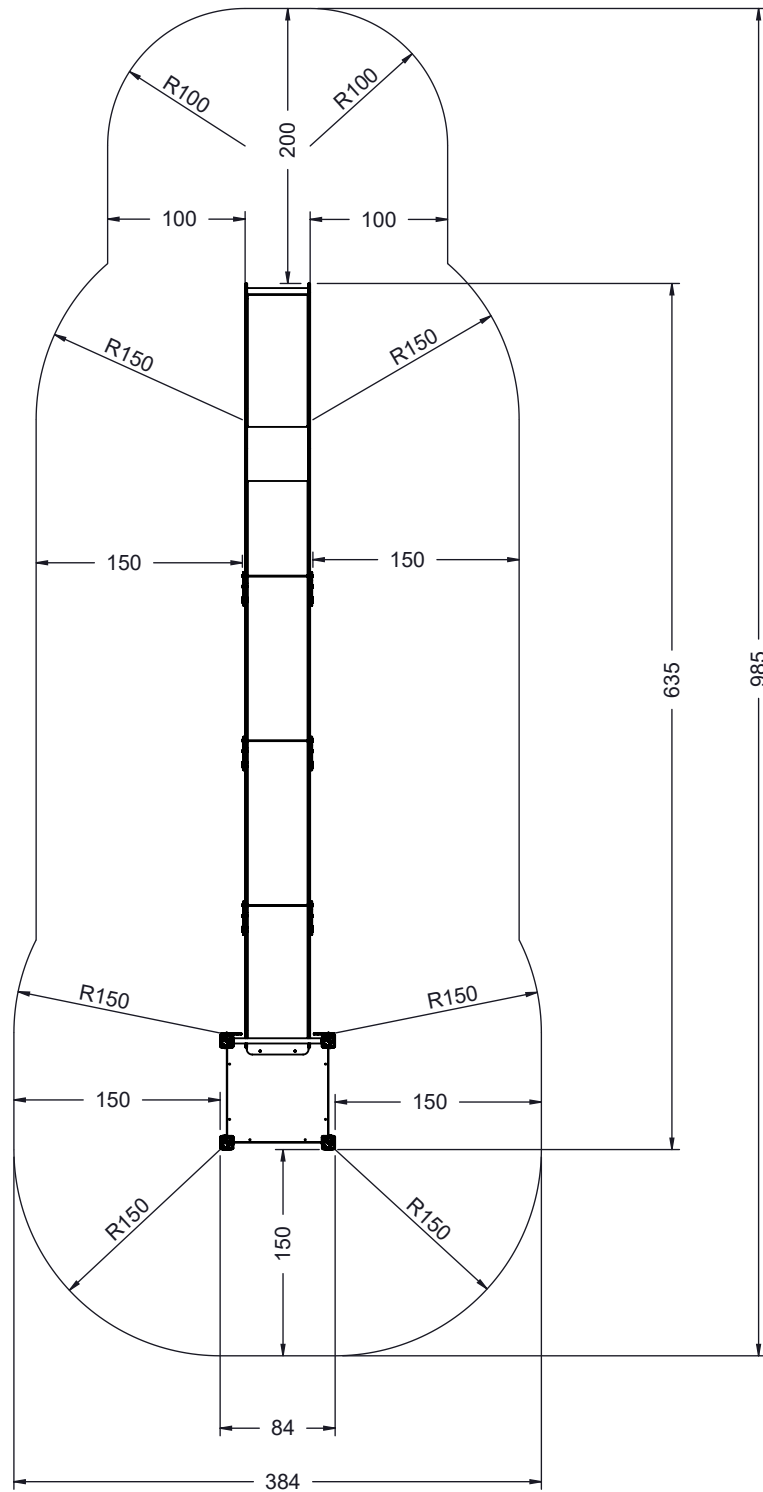
K2, K3

M10x120  
x18

**NOT INCLUDED**



x2 3,5h x9 0,06 m<sup>3</sup> 48h <60 HIC



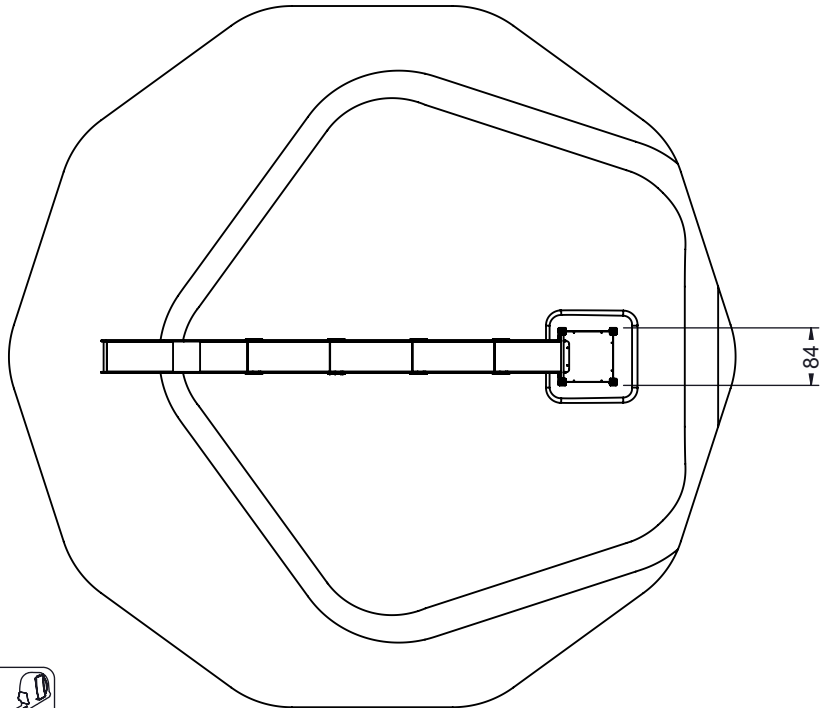
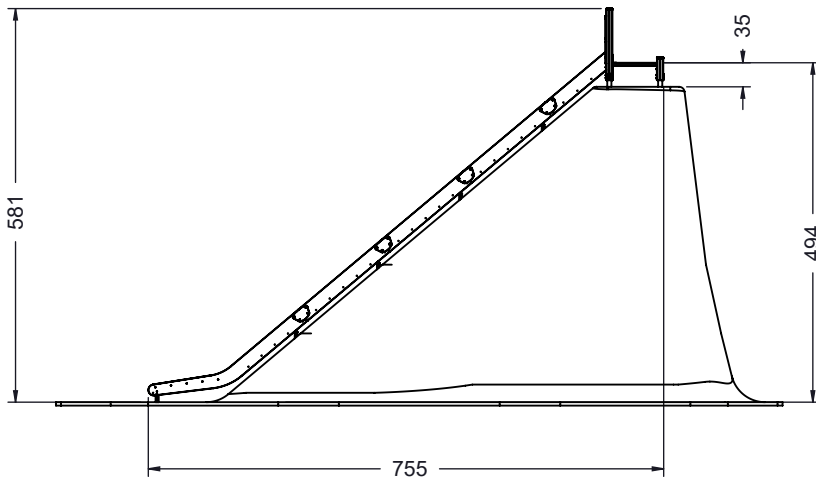
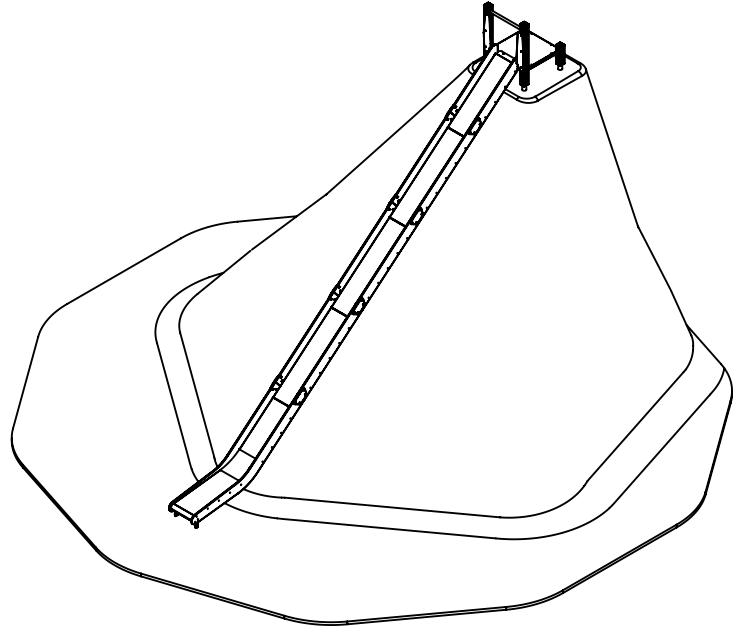
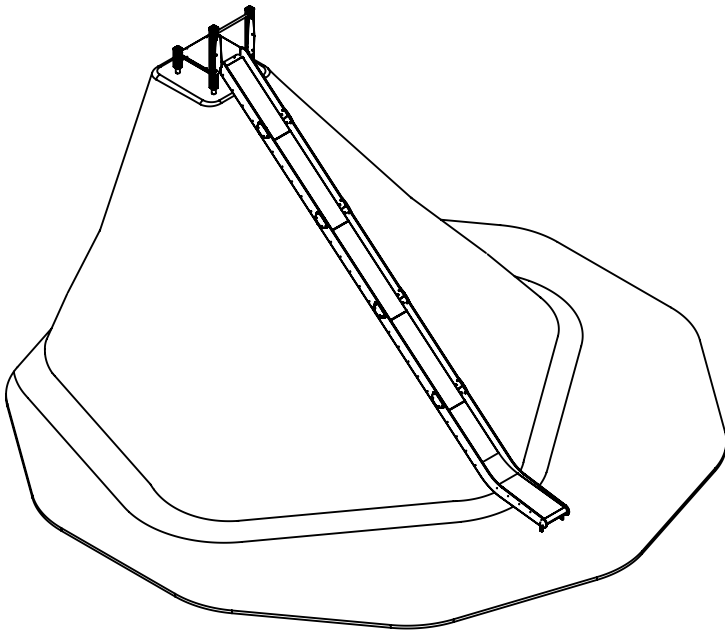
[cm]



vinci  
play



WD1448

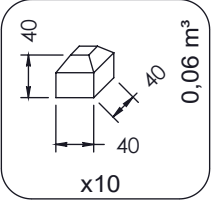
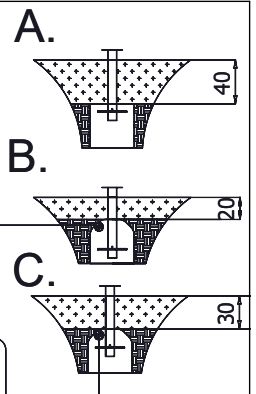
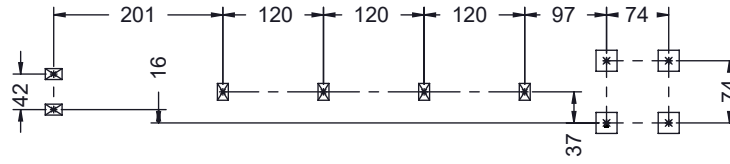


[cm]



vinci  
play

# WD1448

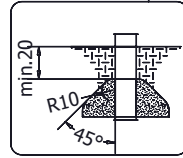


K2, K3

M10x120  
x18

Ø10

**NOT INCLUDED**



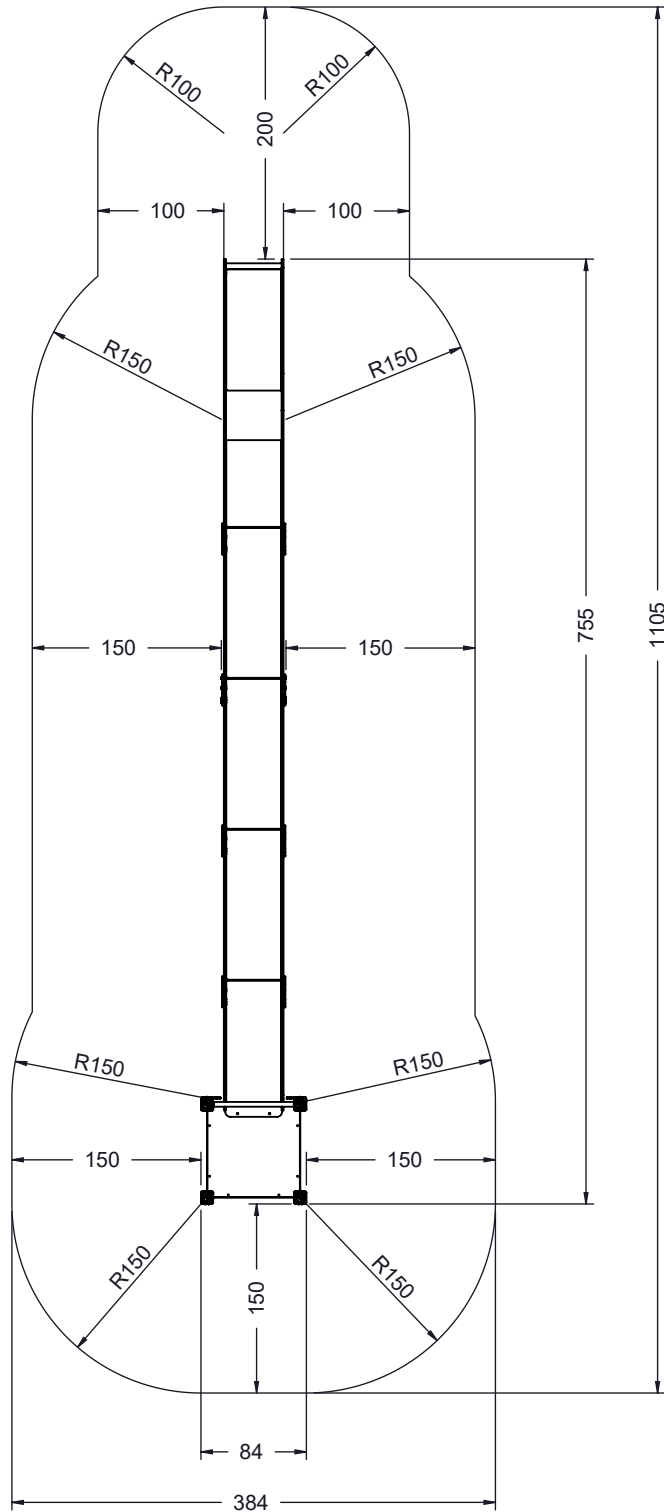
x2

3,5h

x10 0,06 m<sup>3</sup>

48h

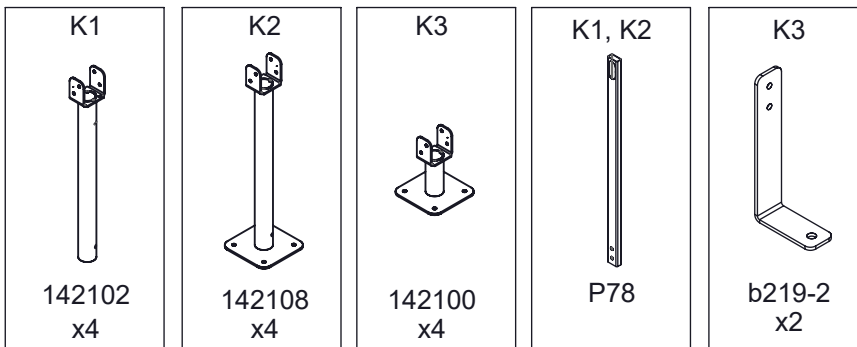
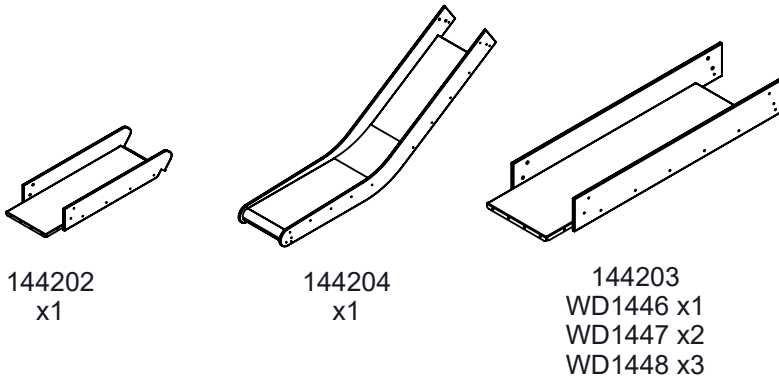
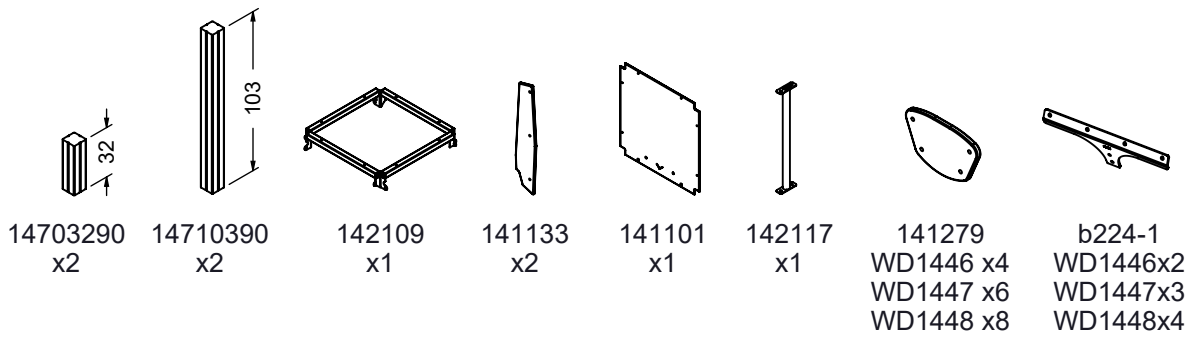
<60 HIC



[cm]



vinci  
play

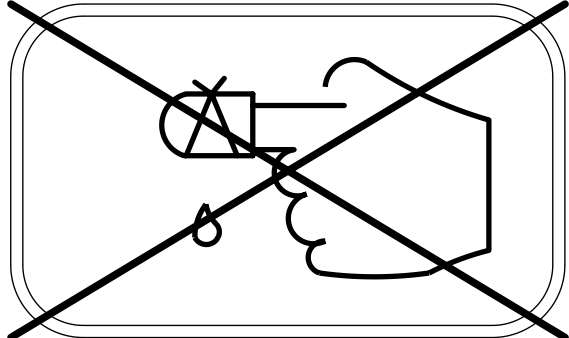
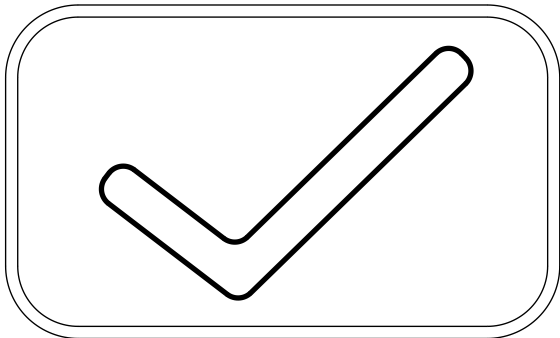
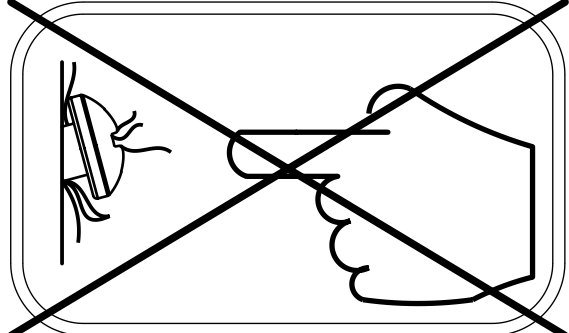
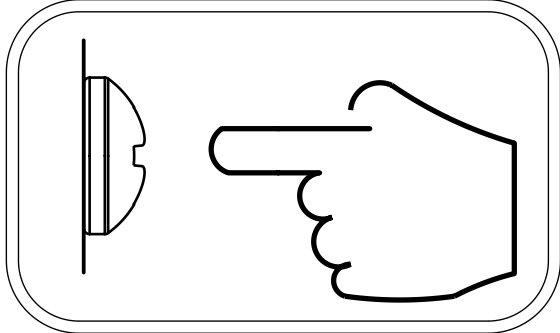
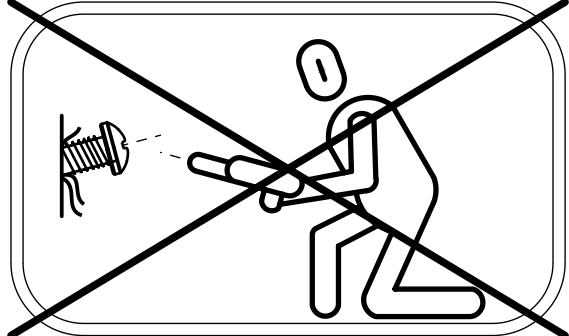
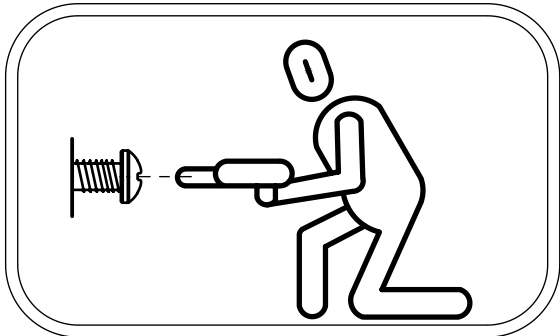


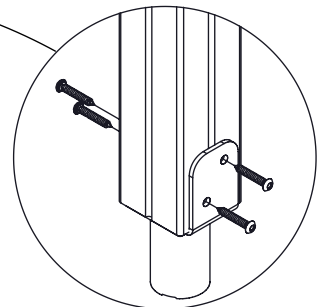
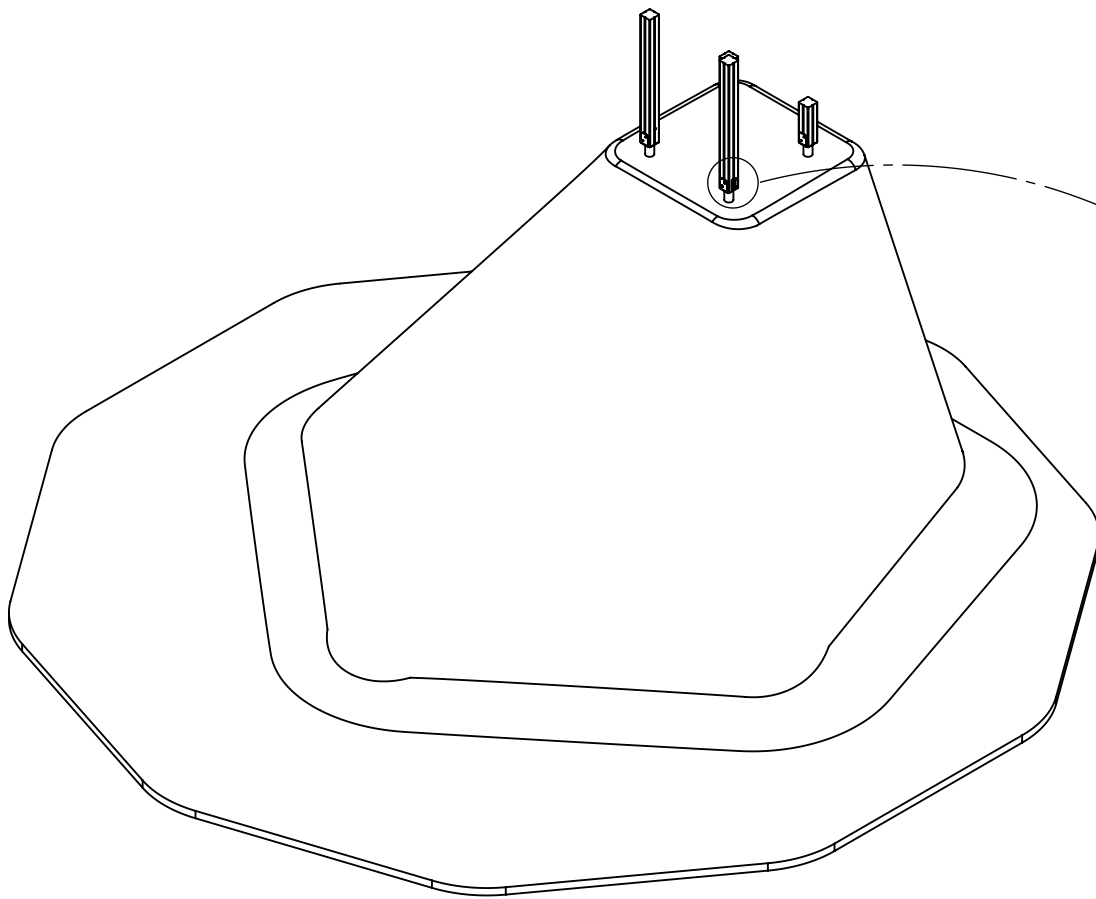
WD1446 x4  
 WD1447 x5  
 WD1448 x6

		PLYWOOD / HDPE		HPL	
34x	8x50 sxi	1x	WD74	1x	WD75
4x	WD1	1x	WD28	1x	WD29
1x	E34				
1x	E35				
WD1446		2x	WD218	2x	WD217
		2x	E138	2x	E138
WD1447		3x	WD218	3x	WD217
		3x	E138	3x	E138
WD1448		4x	WD218	4x	WD217
		4x	E138	4x	E138

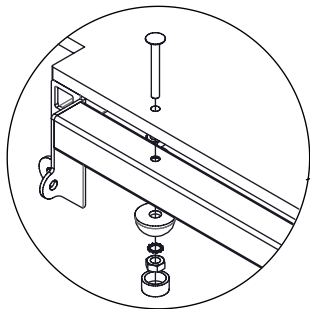
[cm]

vinci  
play



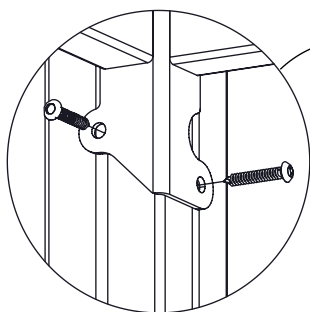


8x50 sxi

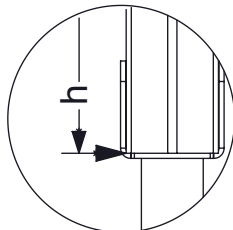
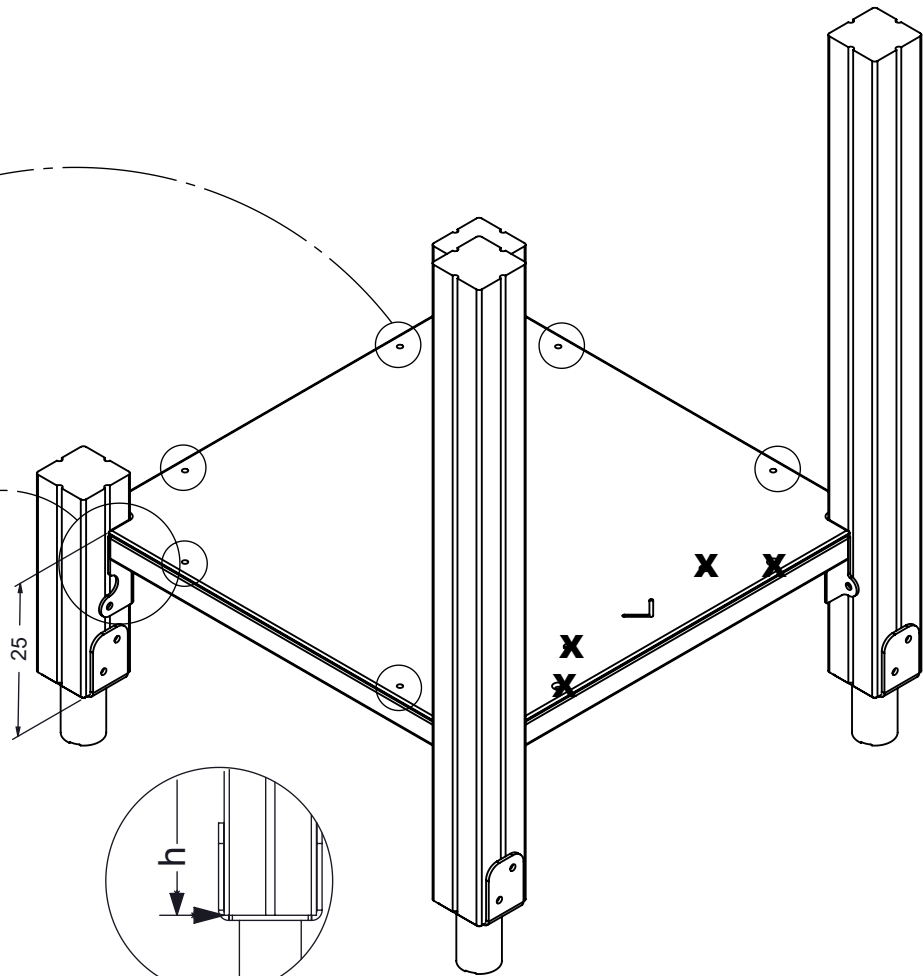


PLYWOOD  
WD74

HPL  
WD75



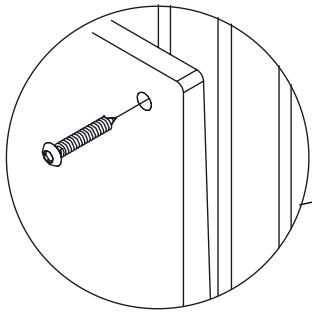
8x50 sxi



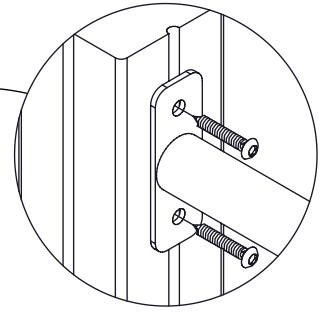
[cm]



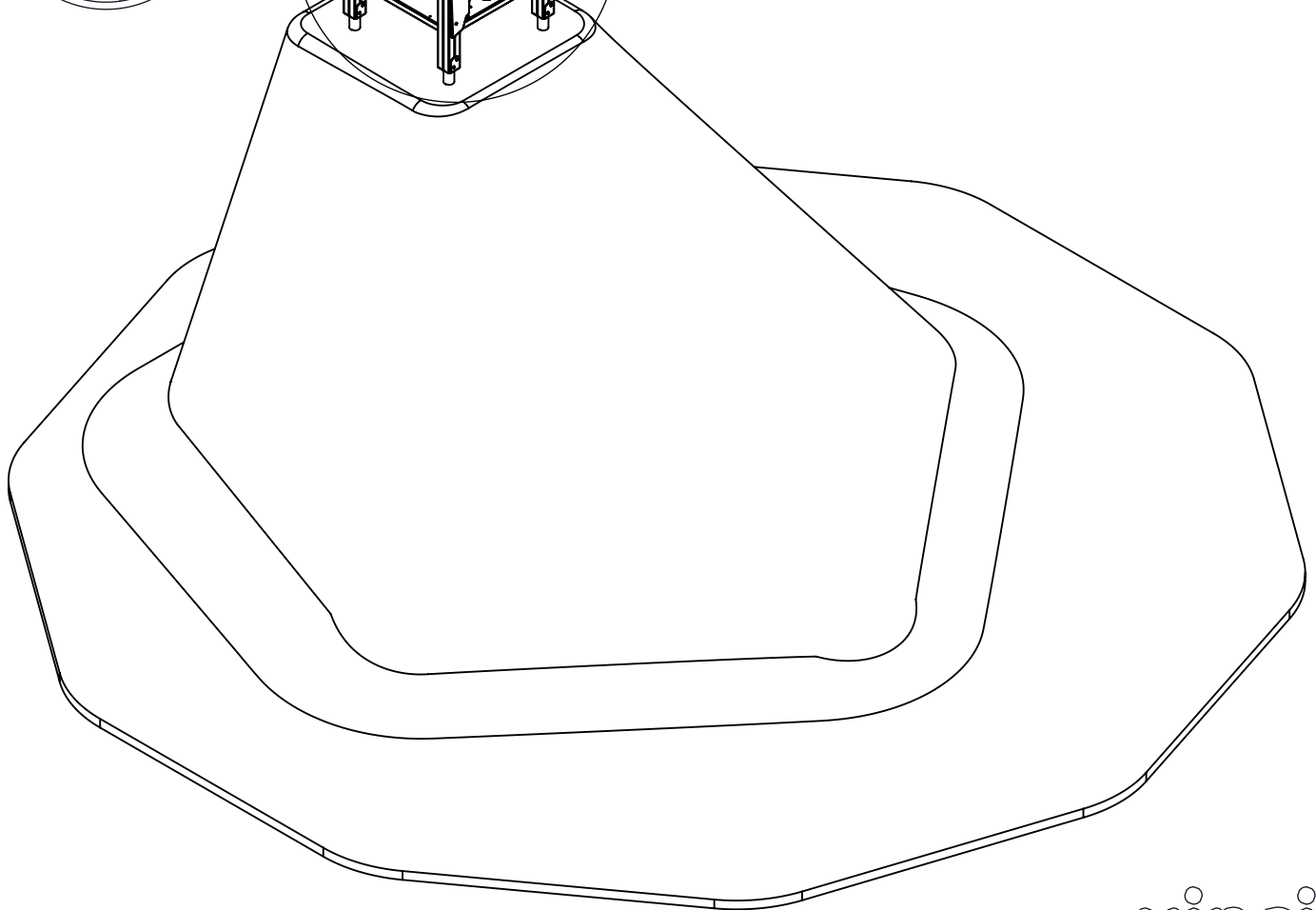
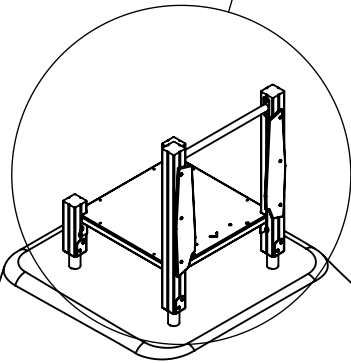
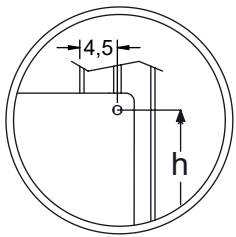
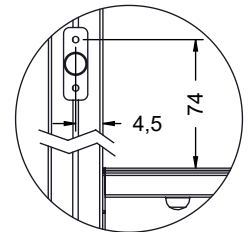
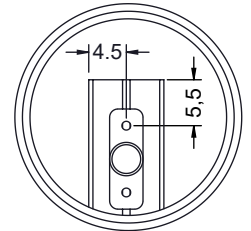
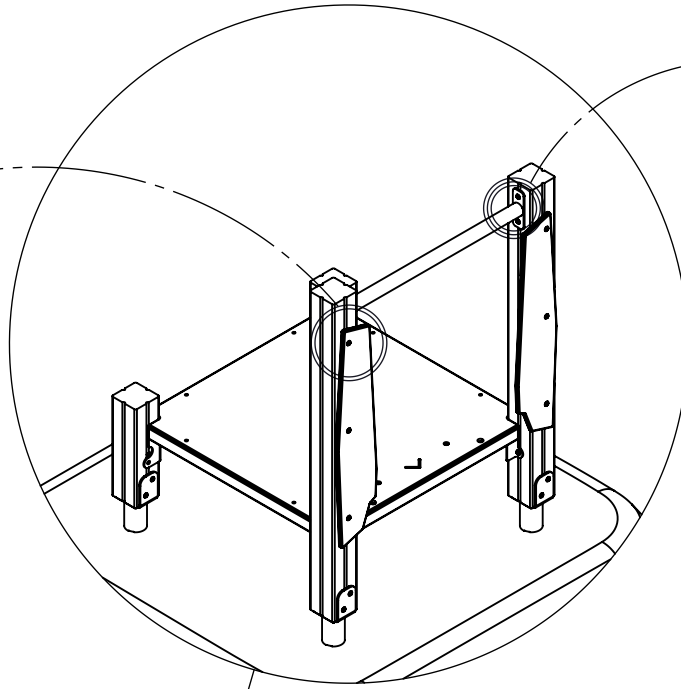
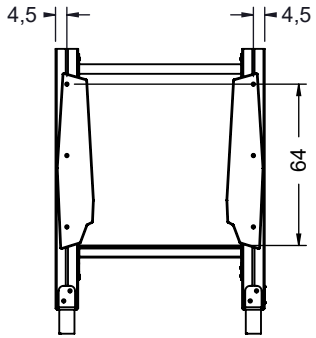
vinci  
play



8x50 sxi



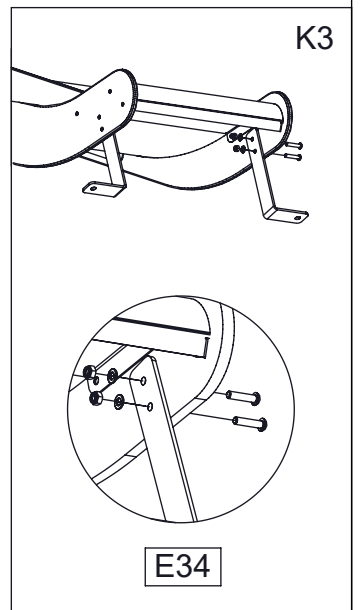
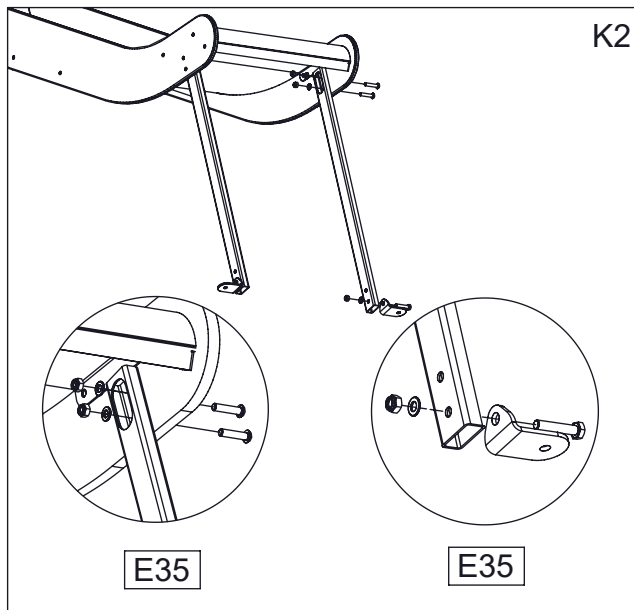
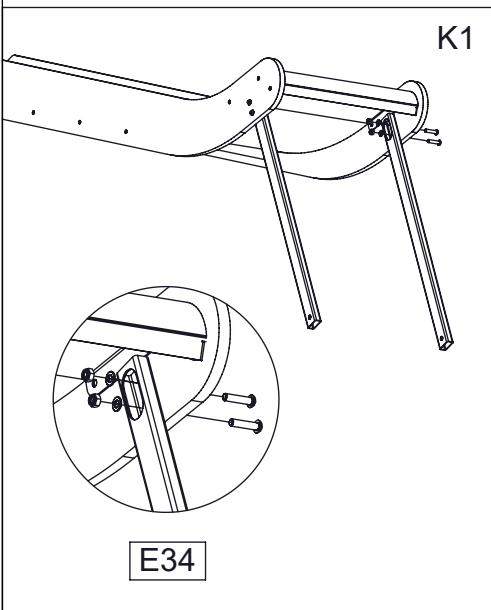
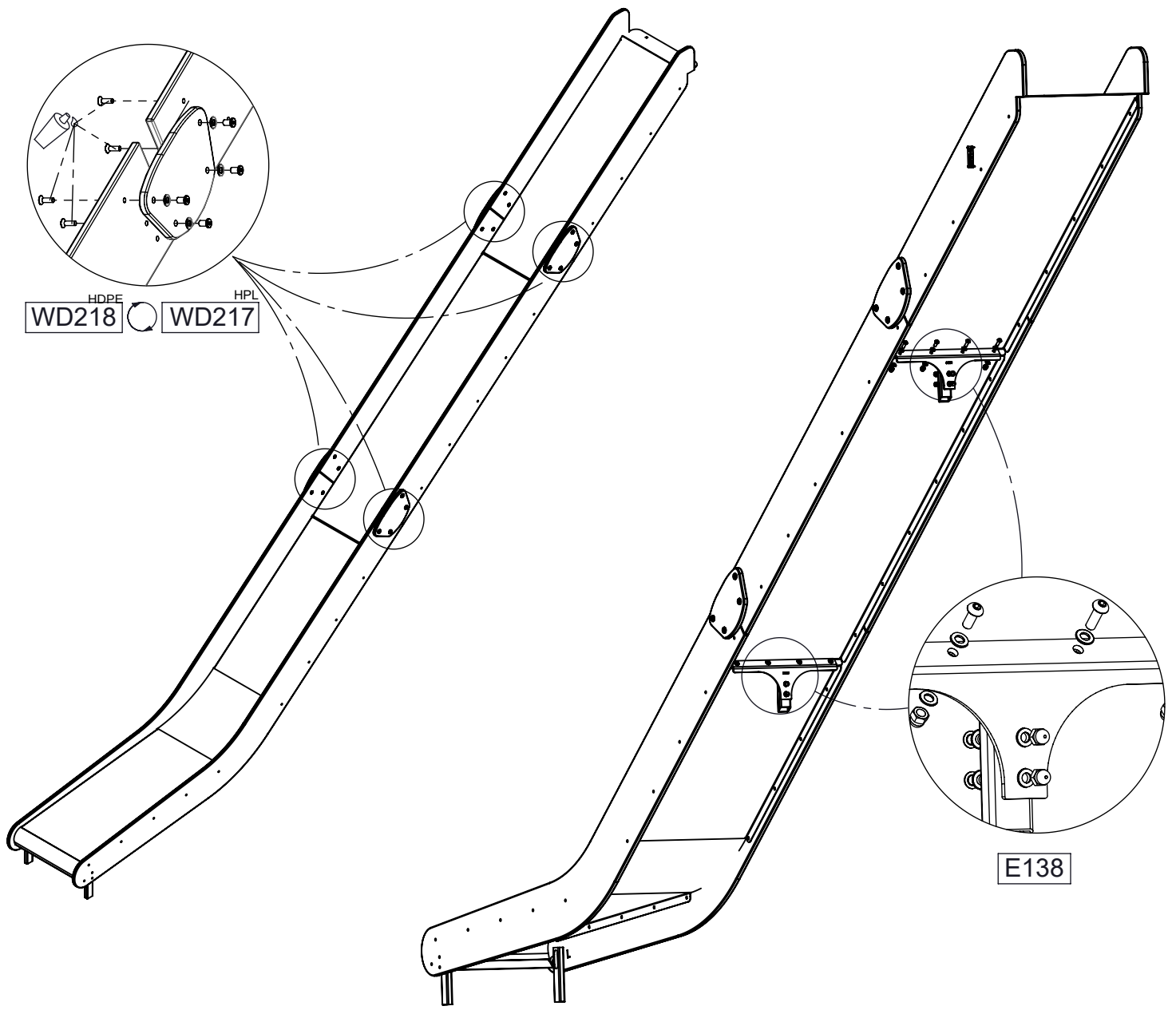
8x50 sxi



[cm]



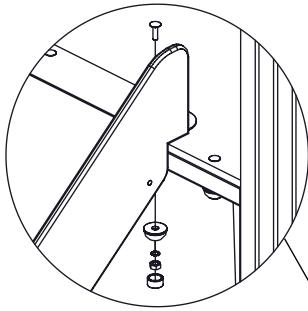
vinci play



[cm]



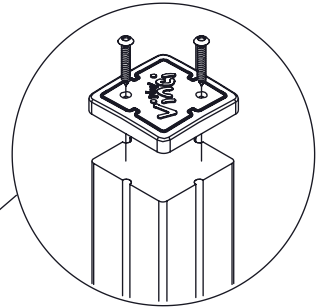
vinci  
play



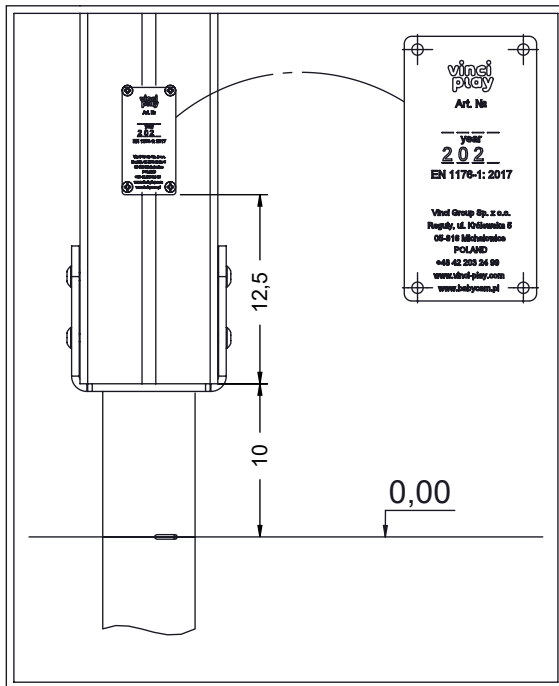
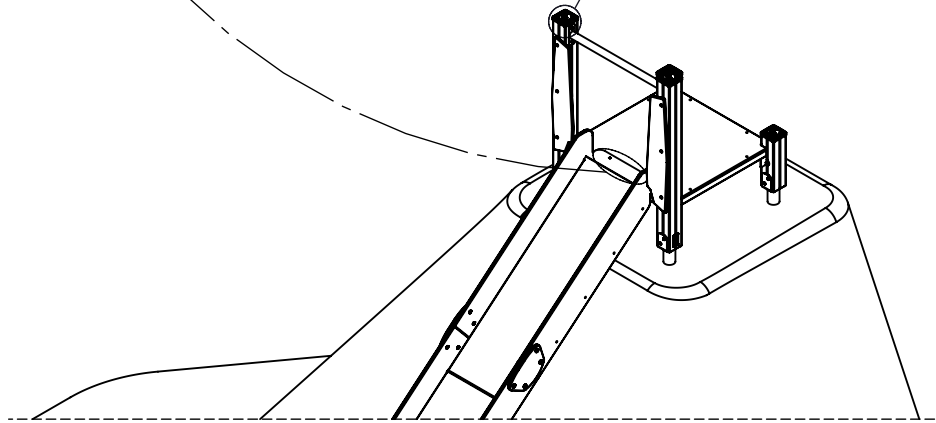
PLYWOOD  
WD28

S1

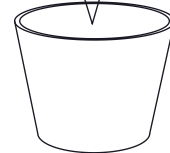
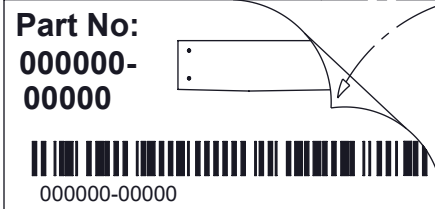
HPL  
WD29



WD1



V001



[cm]



vinci  
play