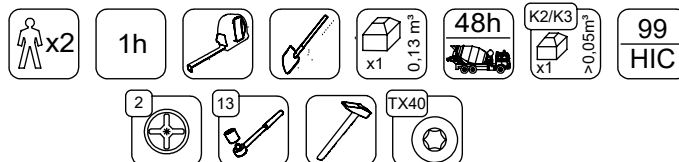
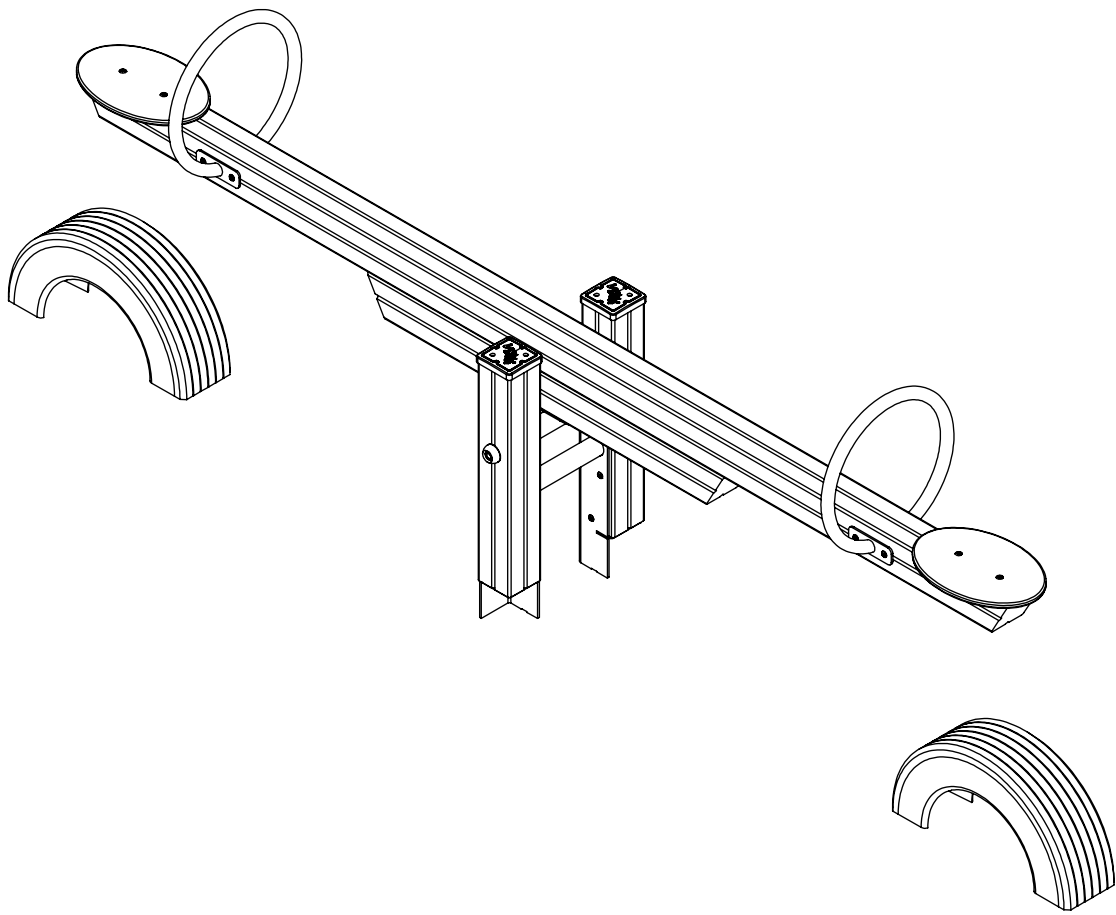
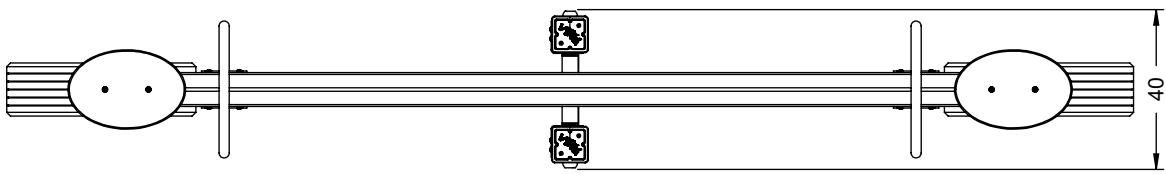
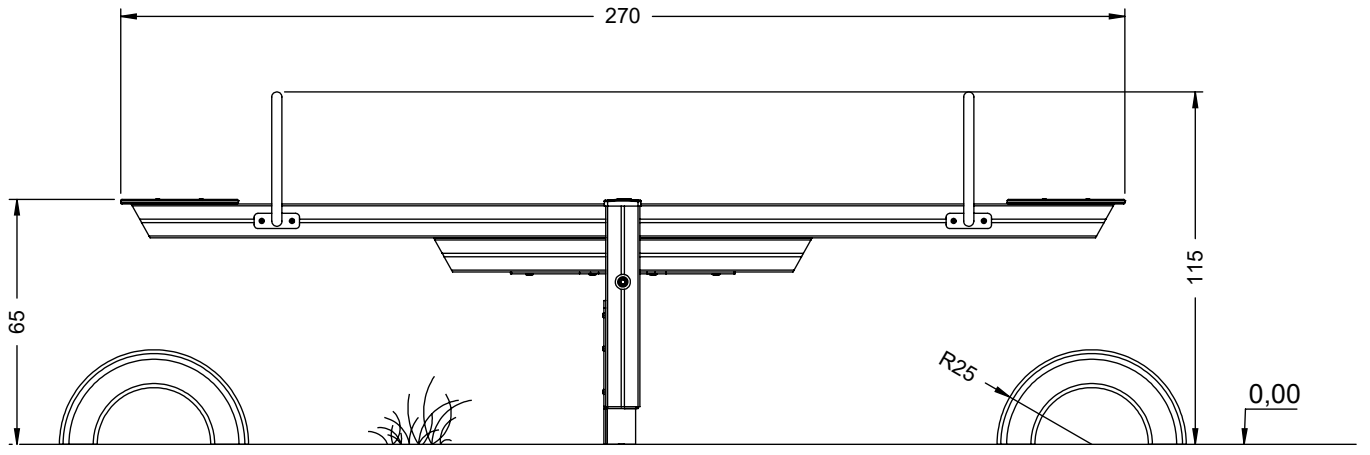


WD1425



v013
18.07.2022
A. D.
[cm]

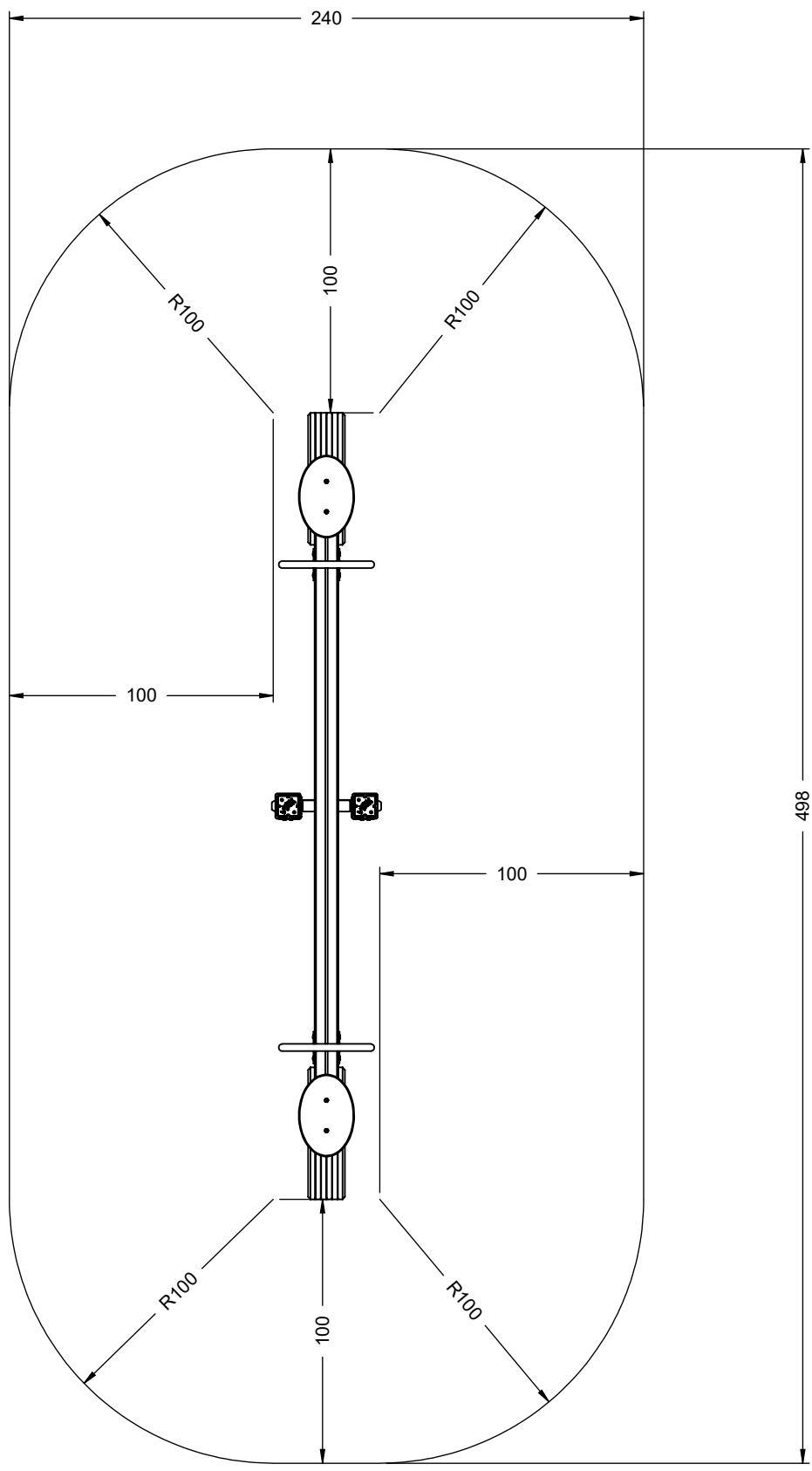
vinci
play



[cm]



vinci
play

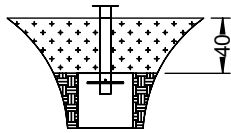


[cm]

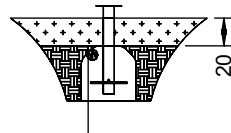


vinci
play

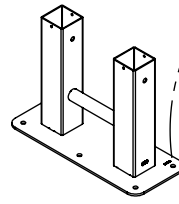
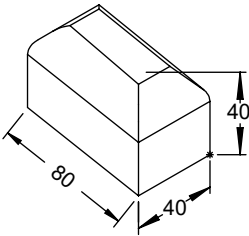
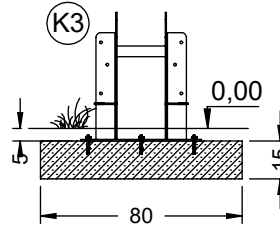
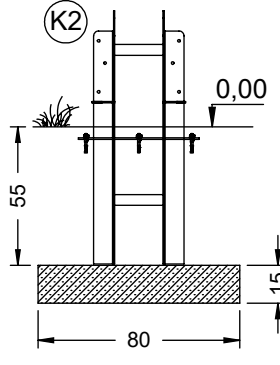
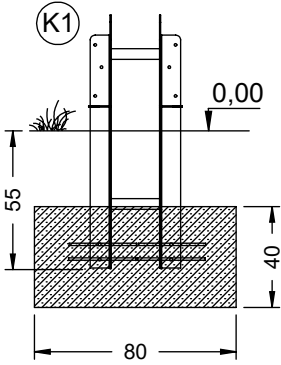
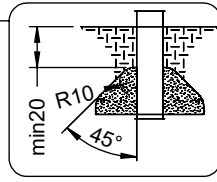
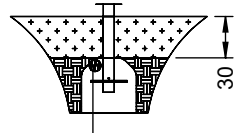
A.


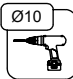



B.

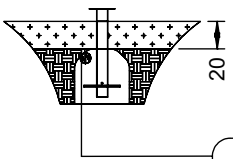


C.

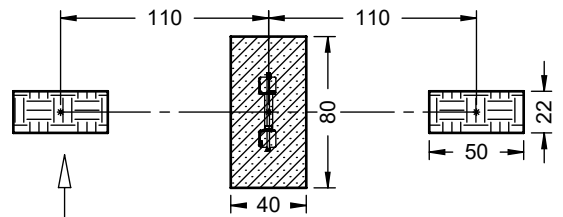
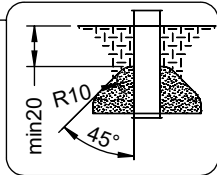
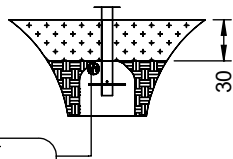


	K2,K3
M10x120 x6	
NOT INCLUDED	

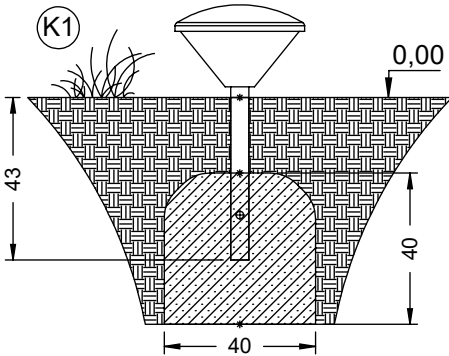
B.



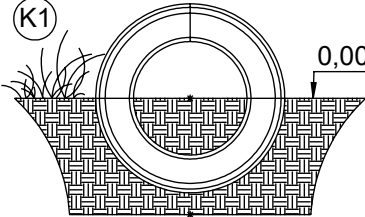
C.



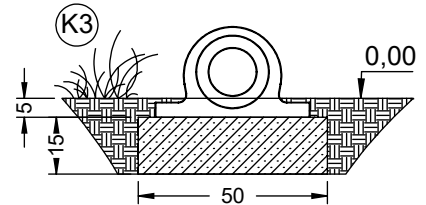
K1



K1



K3



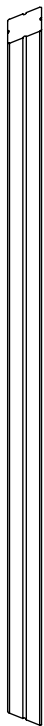
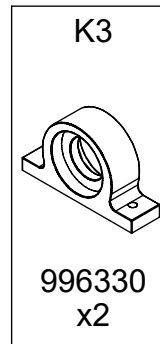
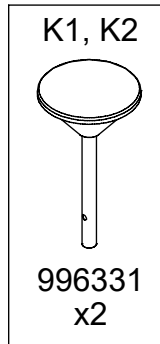
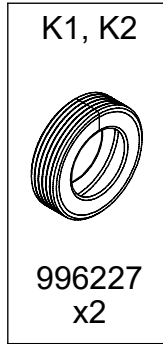
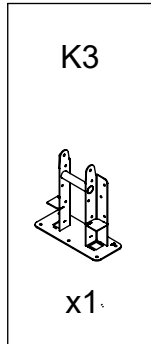
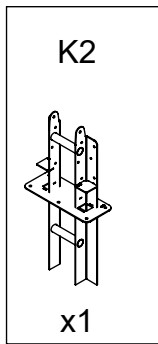
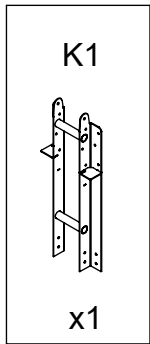
[cm]



1h



vinci play



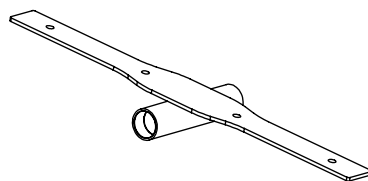
14726029
x1



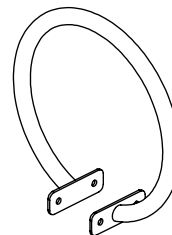
14710029
x1



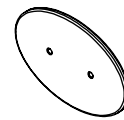
14705490
x2



142123
x3

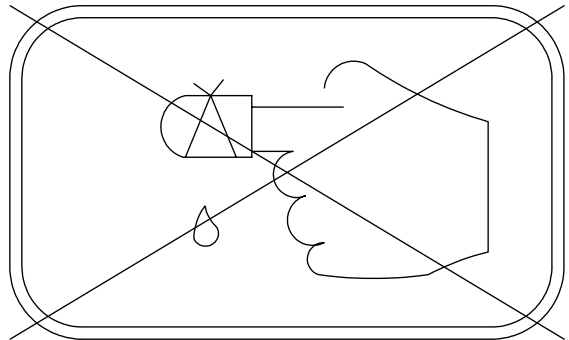
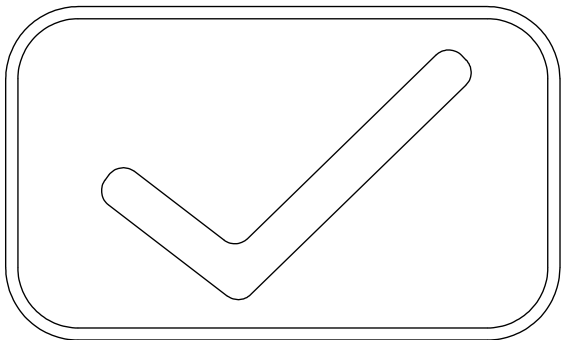
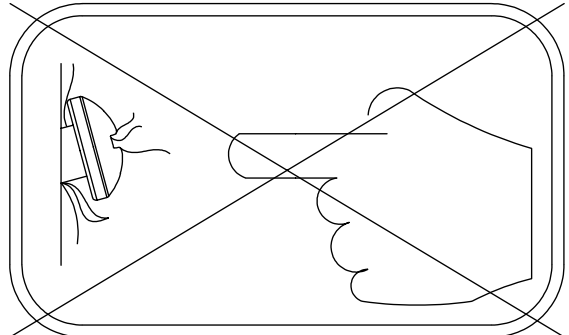
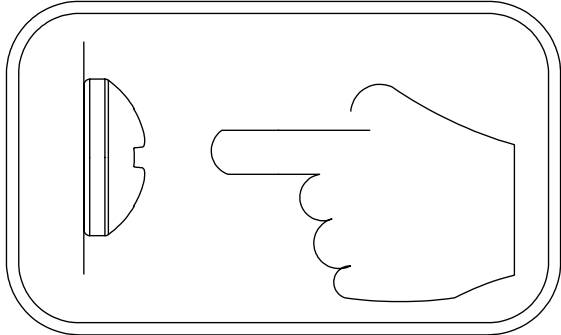
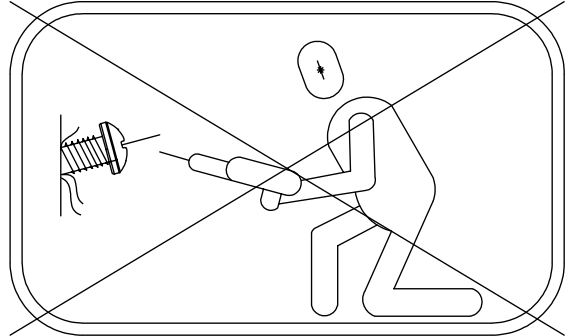
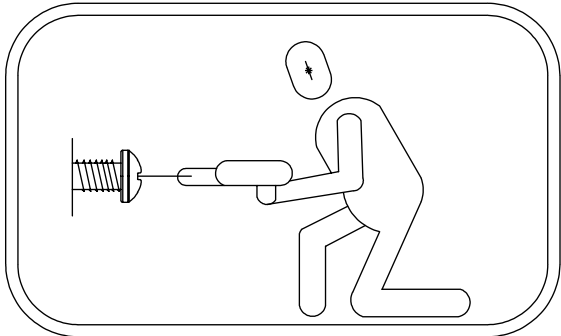


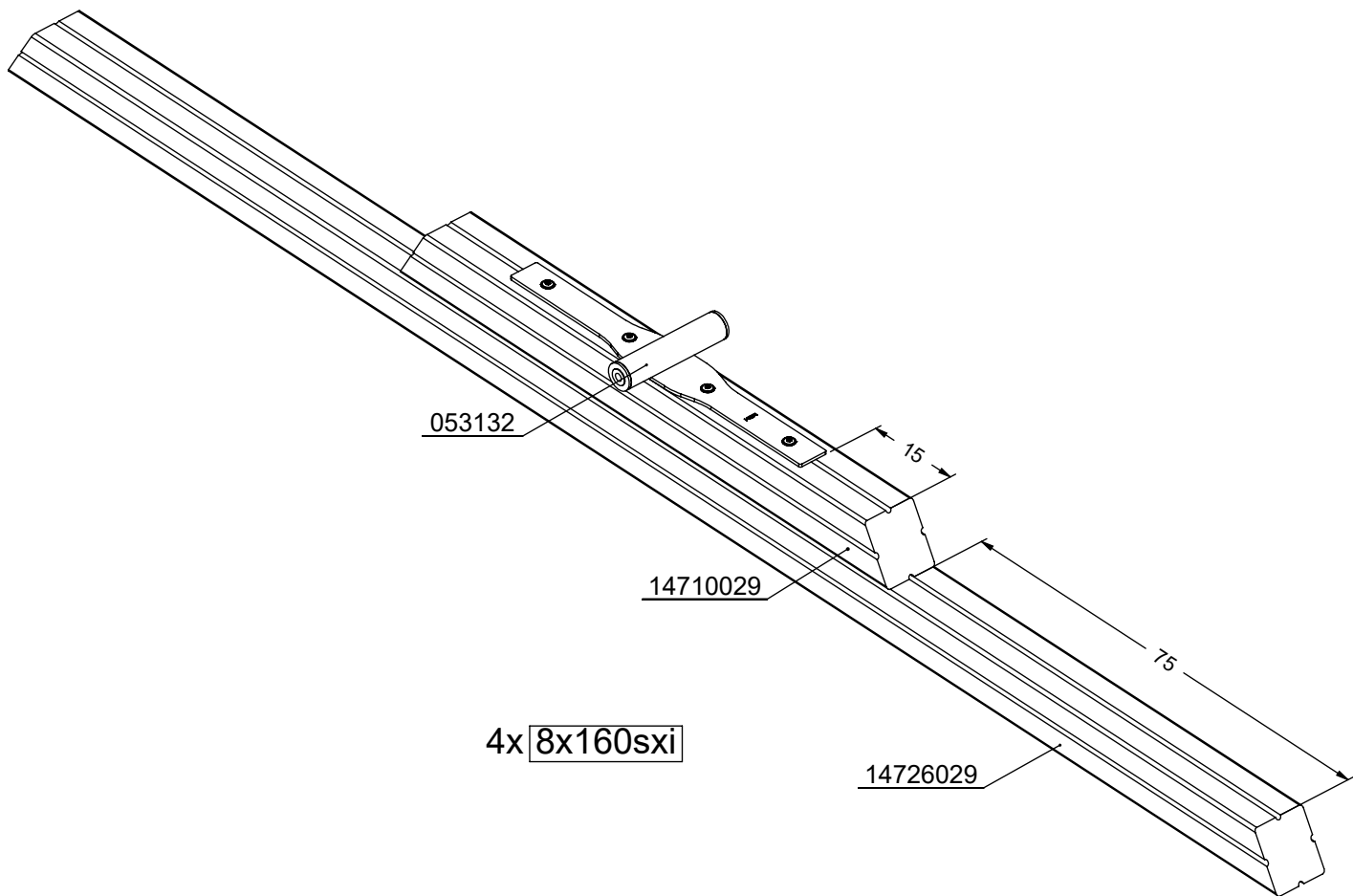
142111
x2



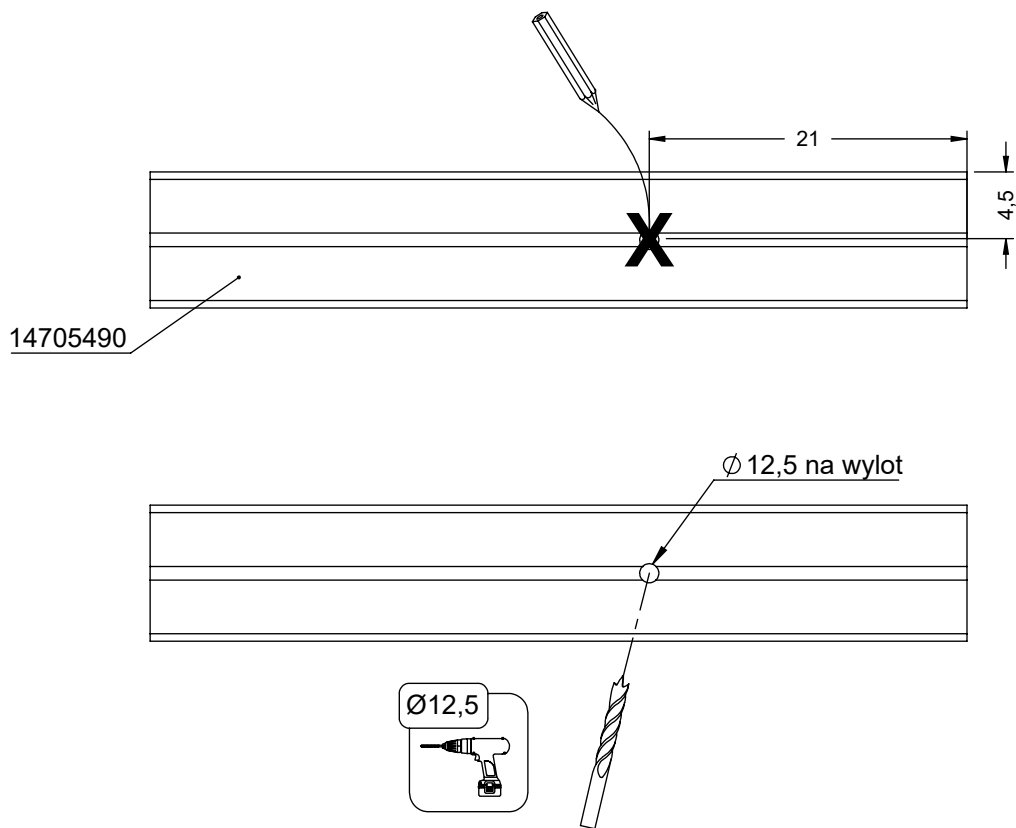
141147
x2

24x	8x50 sxi
4x	8x160 sxi
1x	E263
1x	V001
2x	WD1



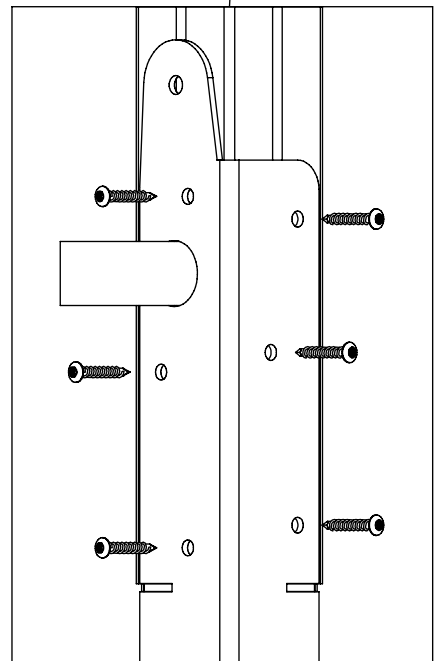
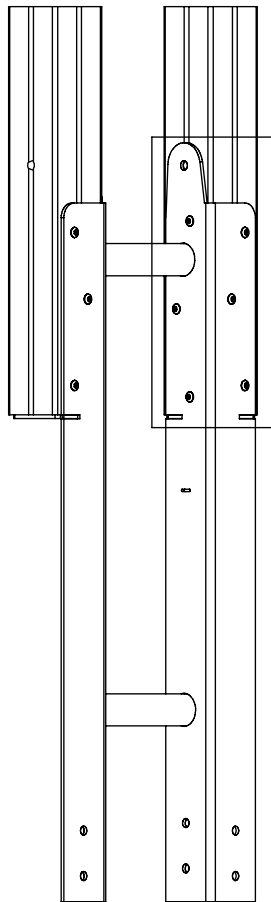
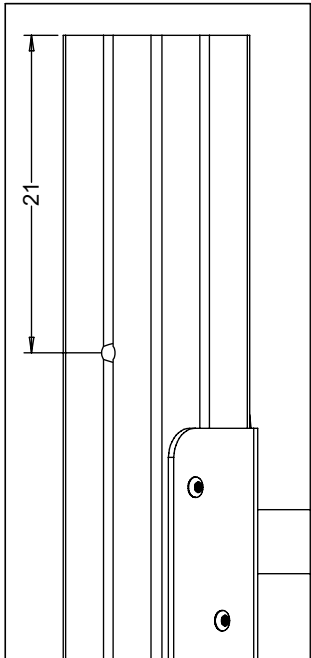


x2

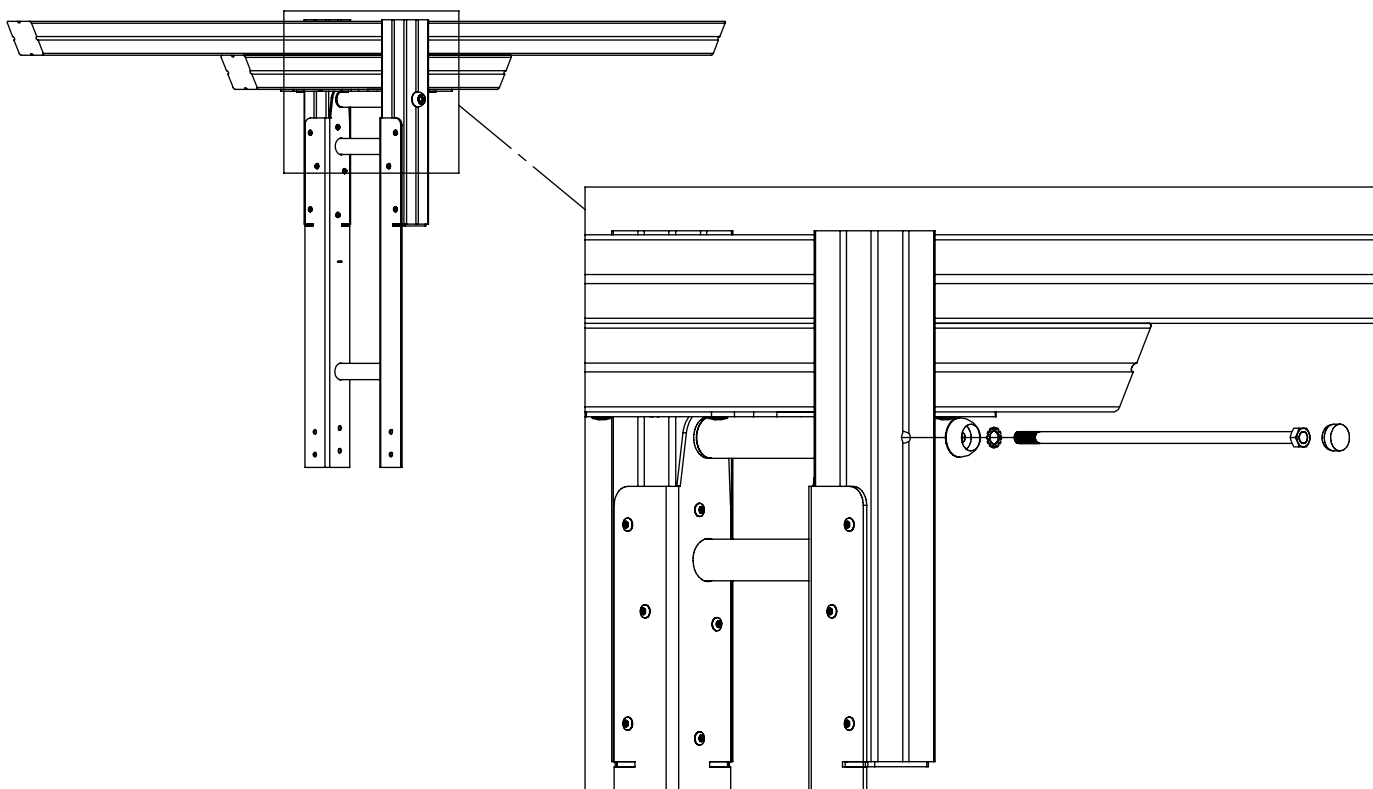


[cm]

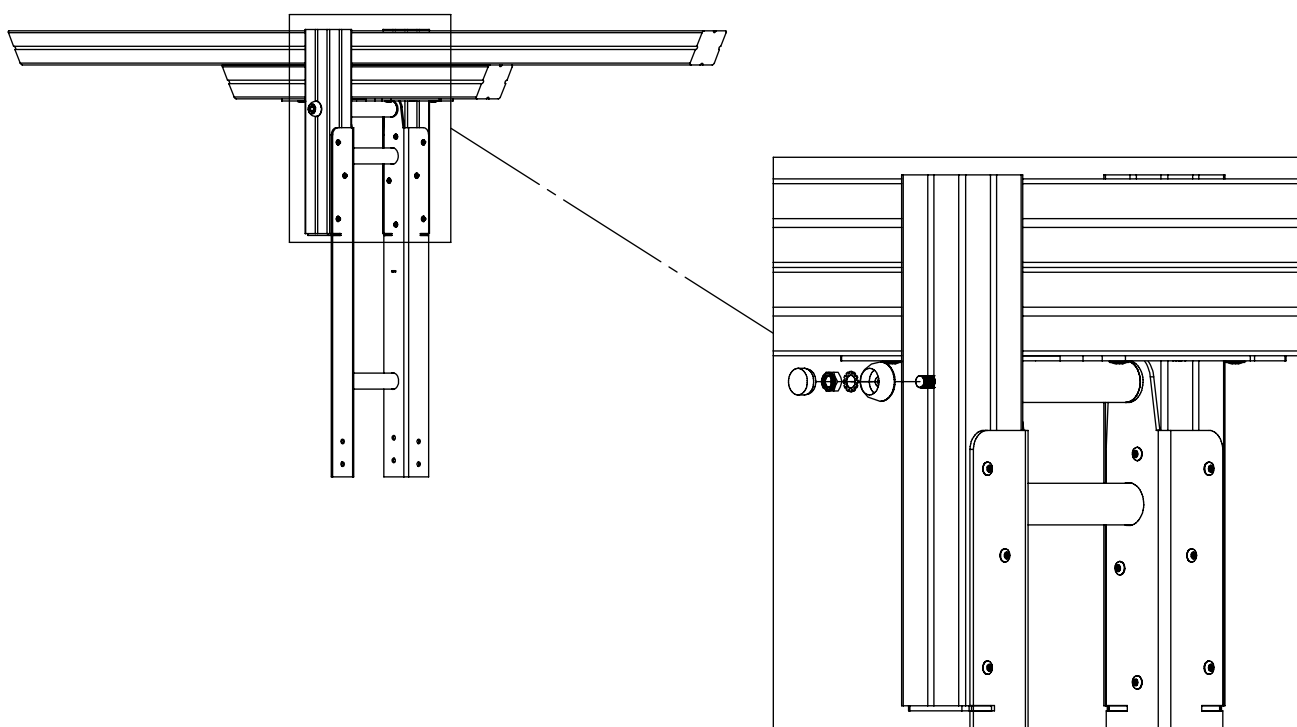
vinci
play



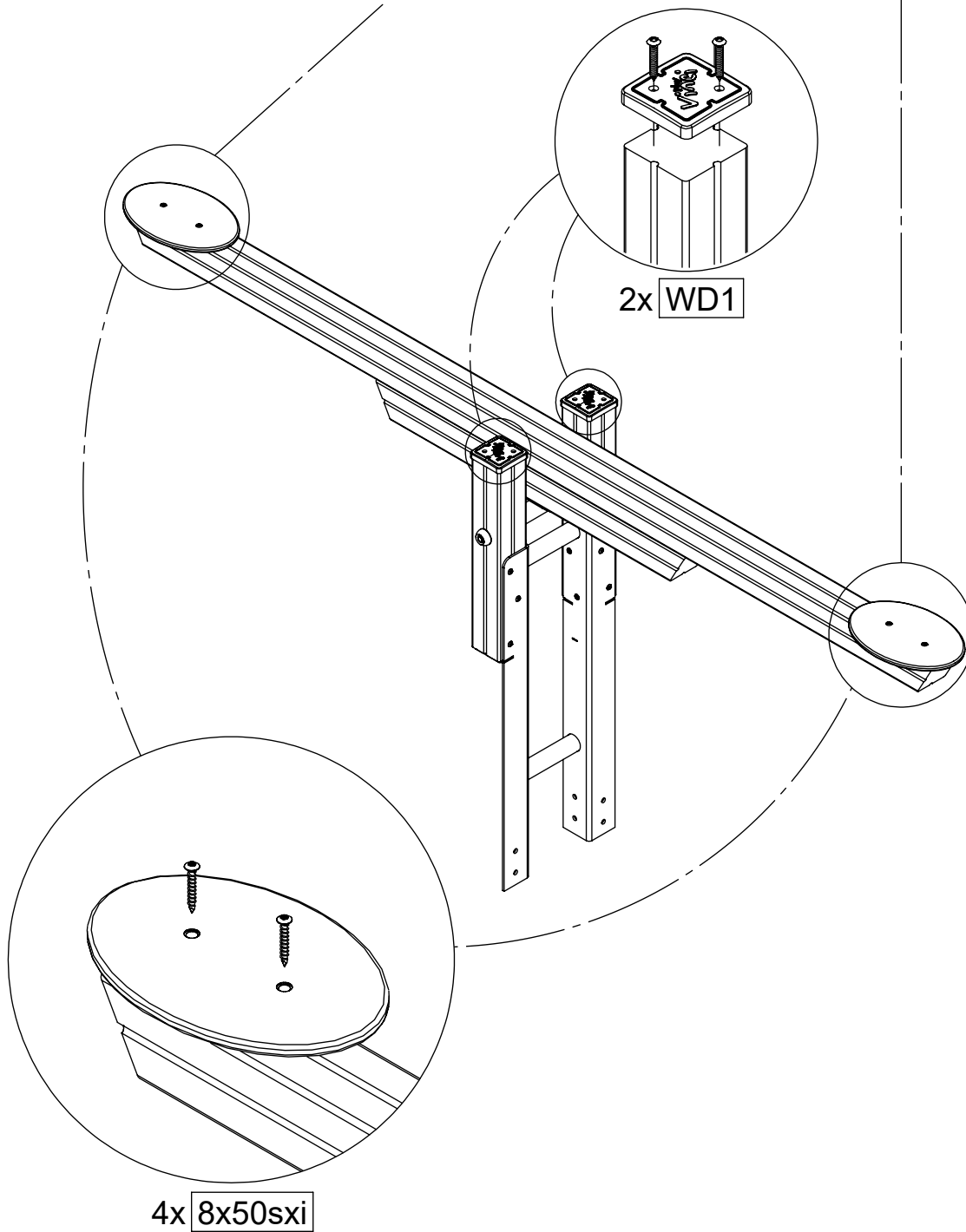
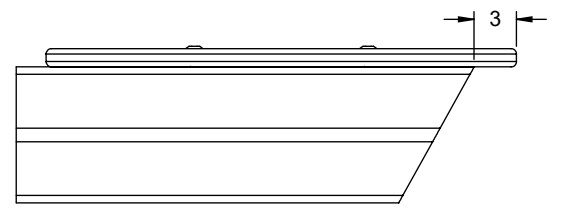
12x 8x50sxi



1x E263

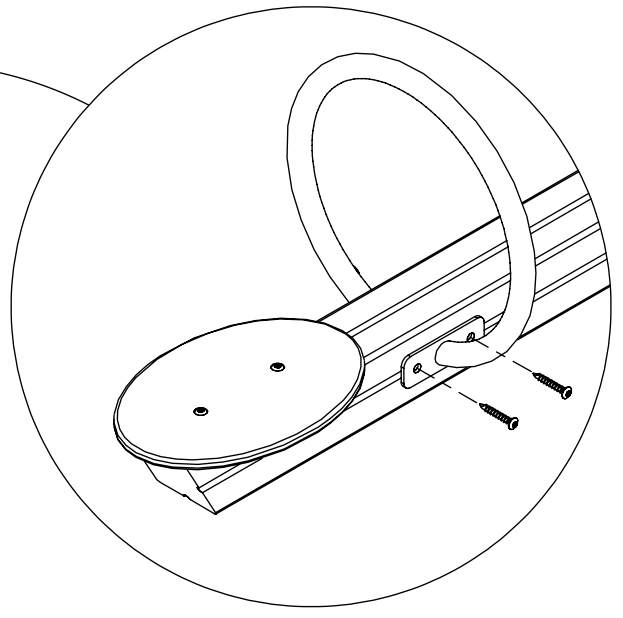
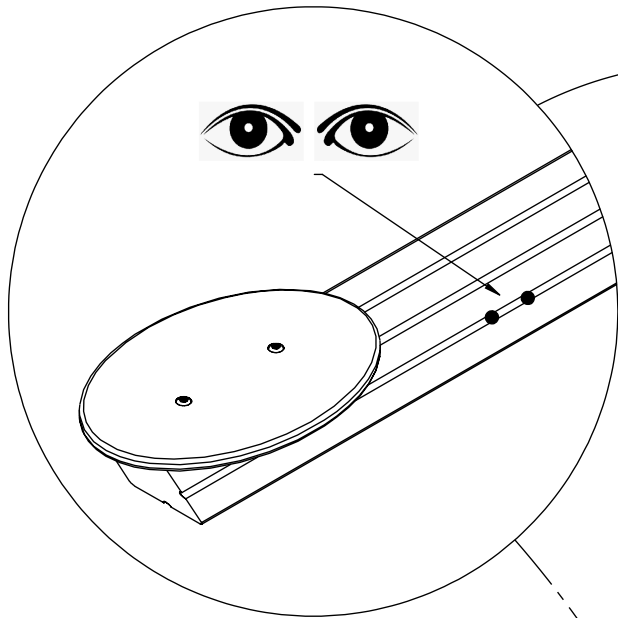


E263

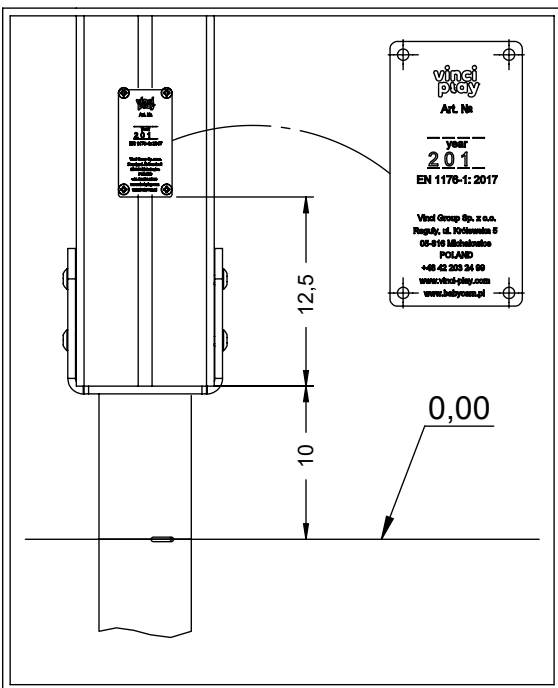
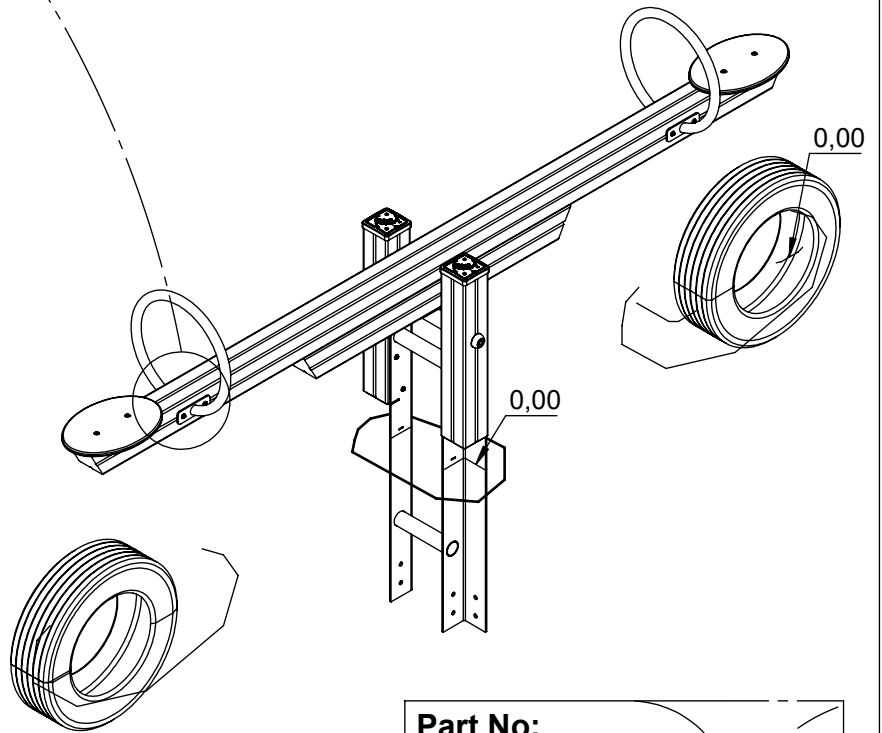


[cm]

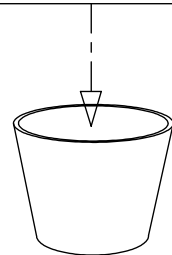
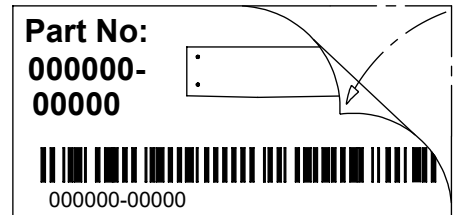
vinci
play



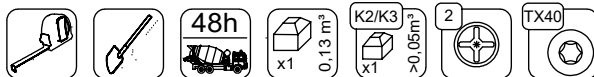
8x 8x50sxi



V001



[cm]



vinci play