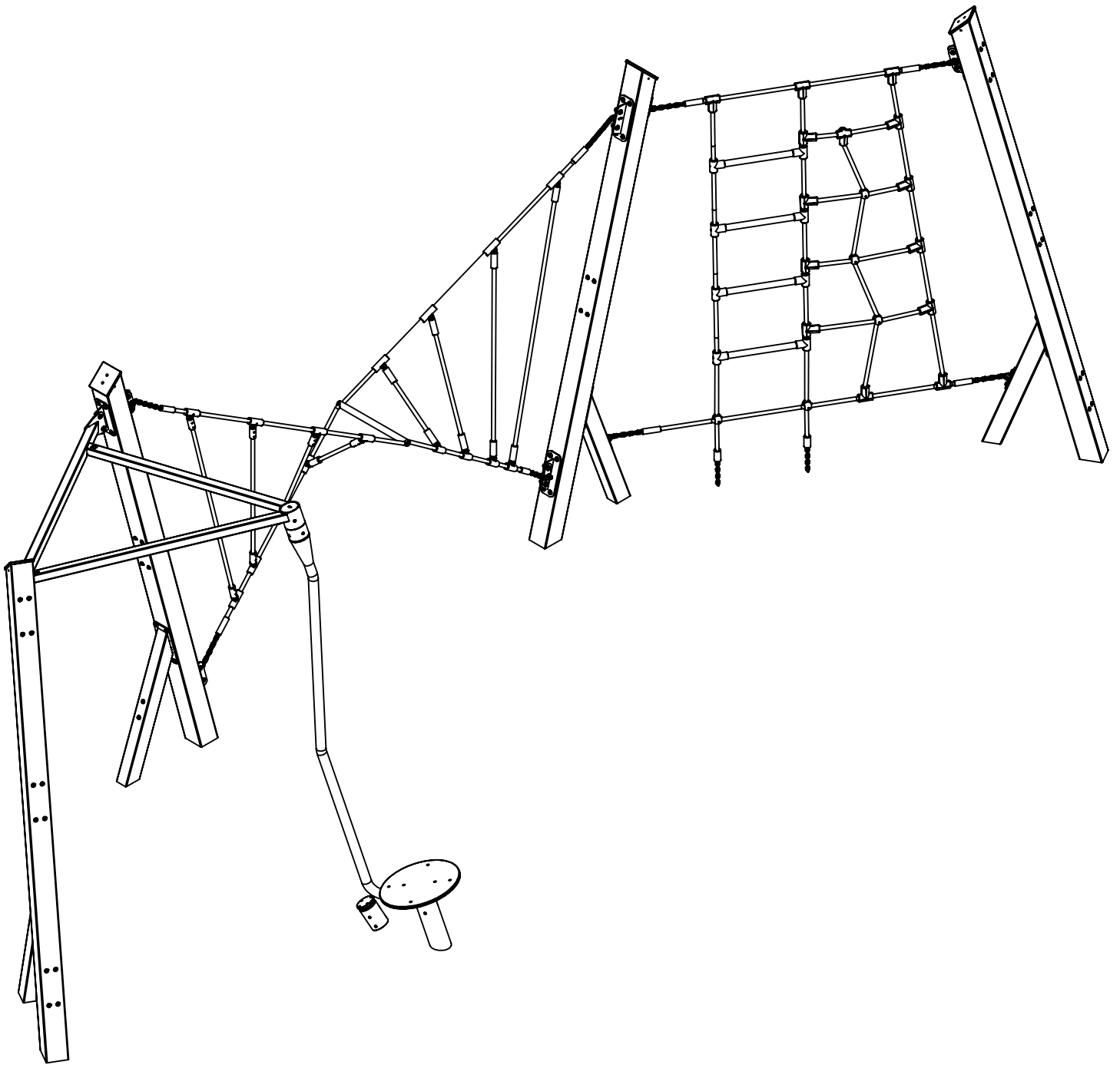
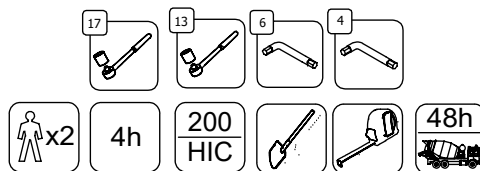


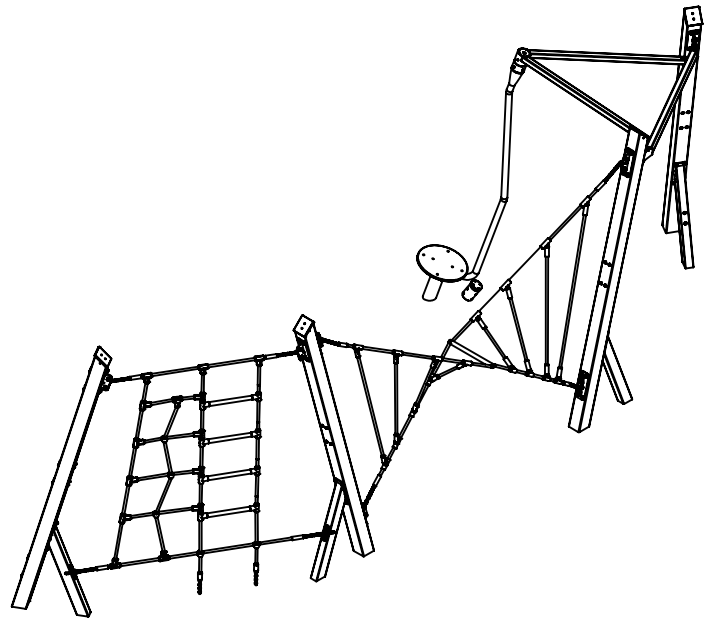
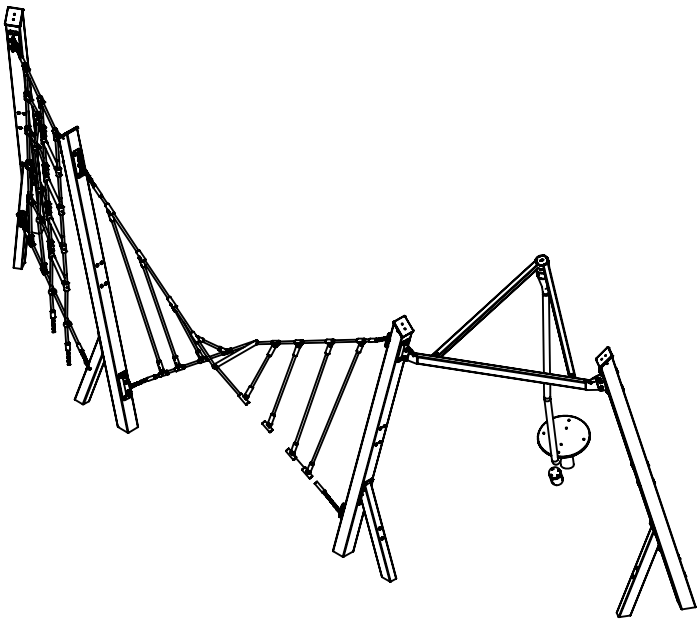
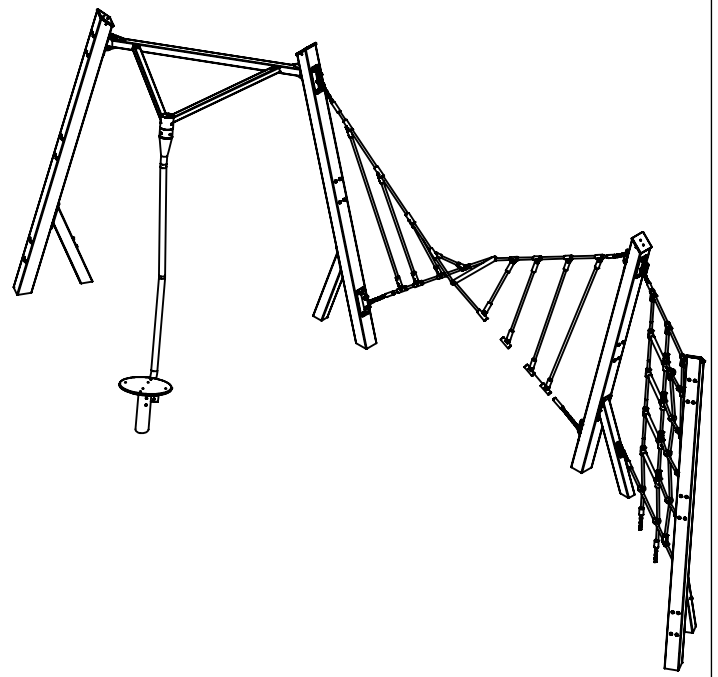
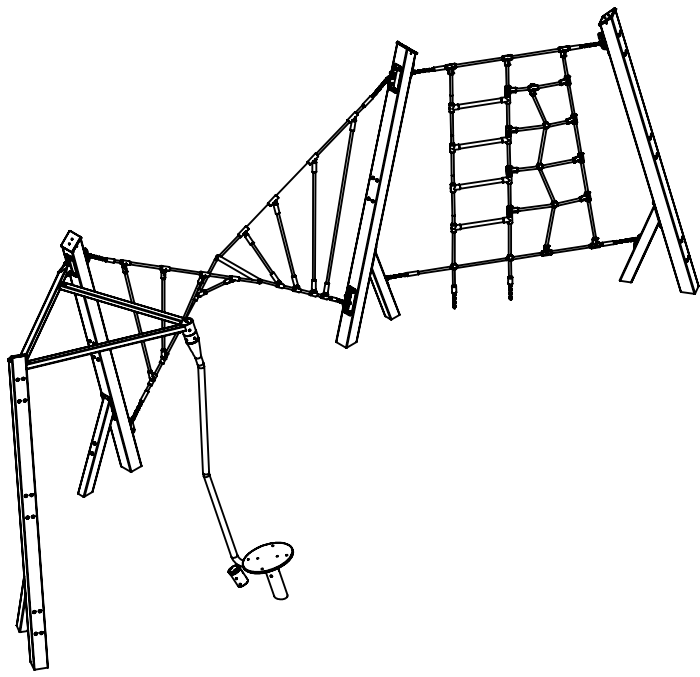
# 1631



v012  
12.02.2022  
A. D.  
[cm]

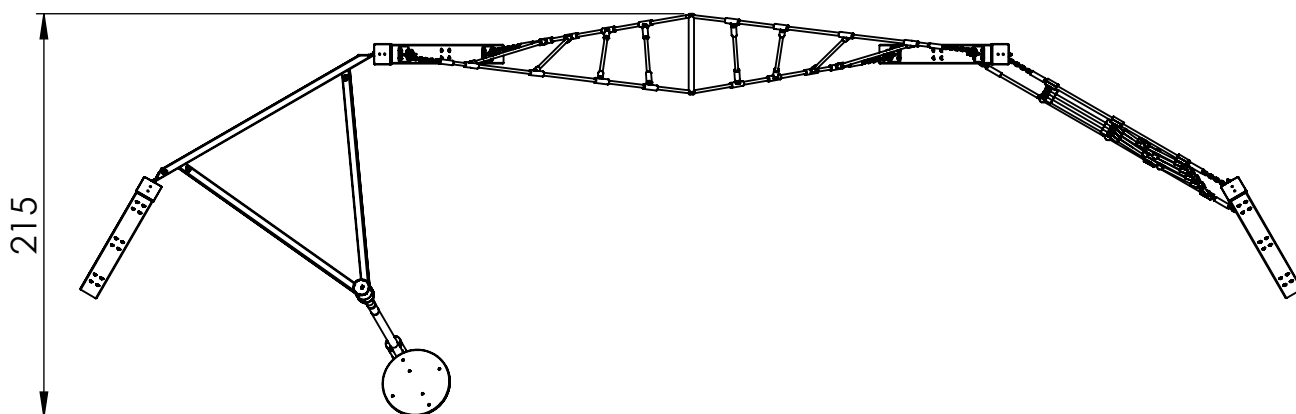
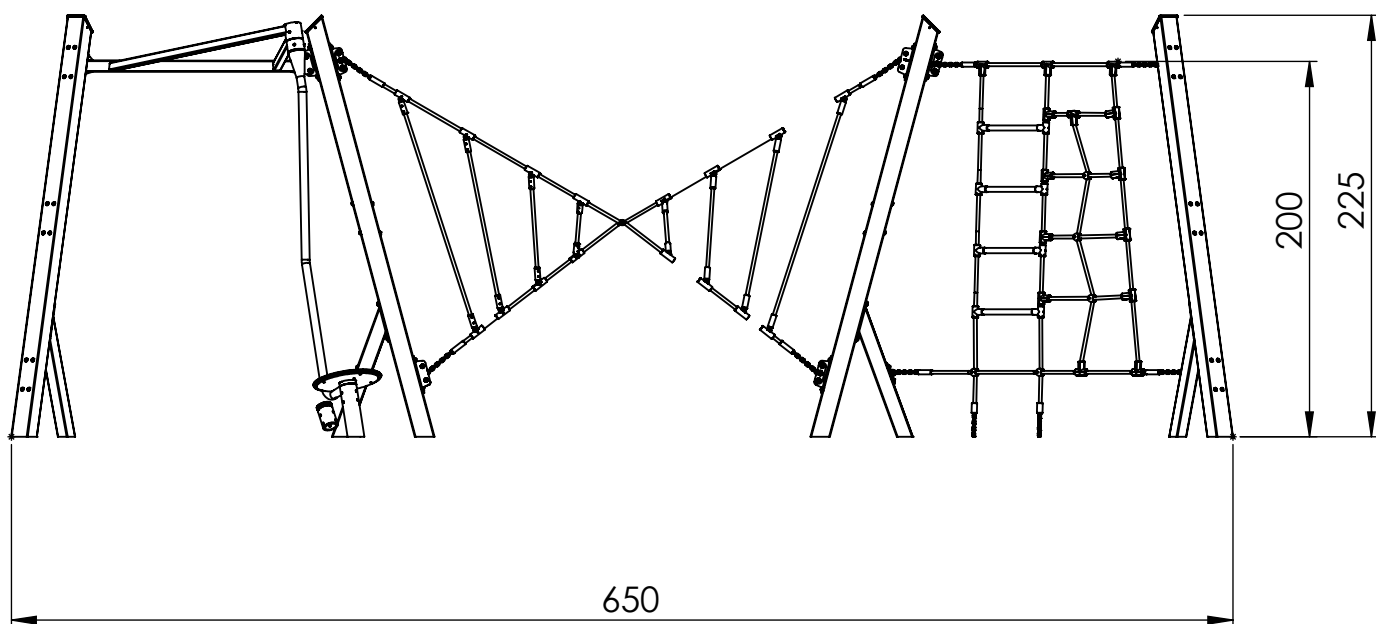


vinci  
play



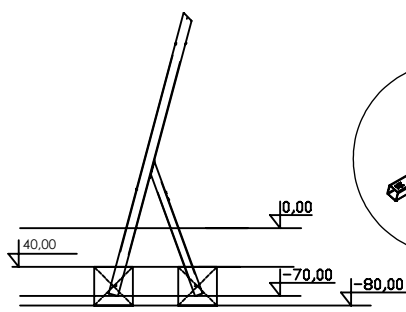
[cm]

vinci  
play

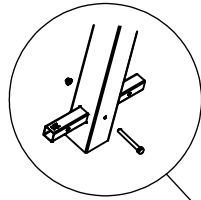


[cm]

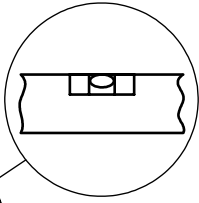
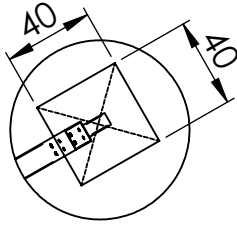
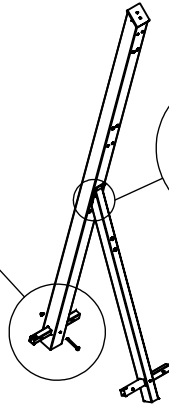
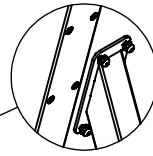
vinci  
play



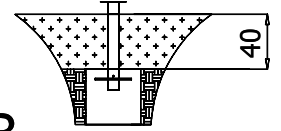
E90



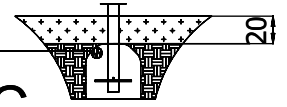
E1



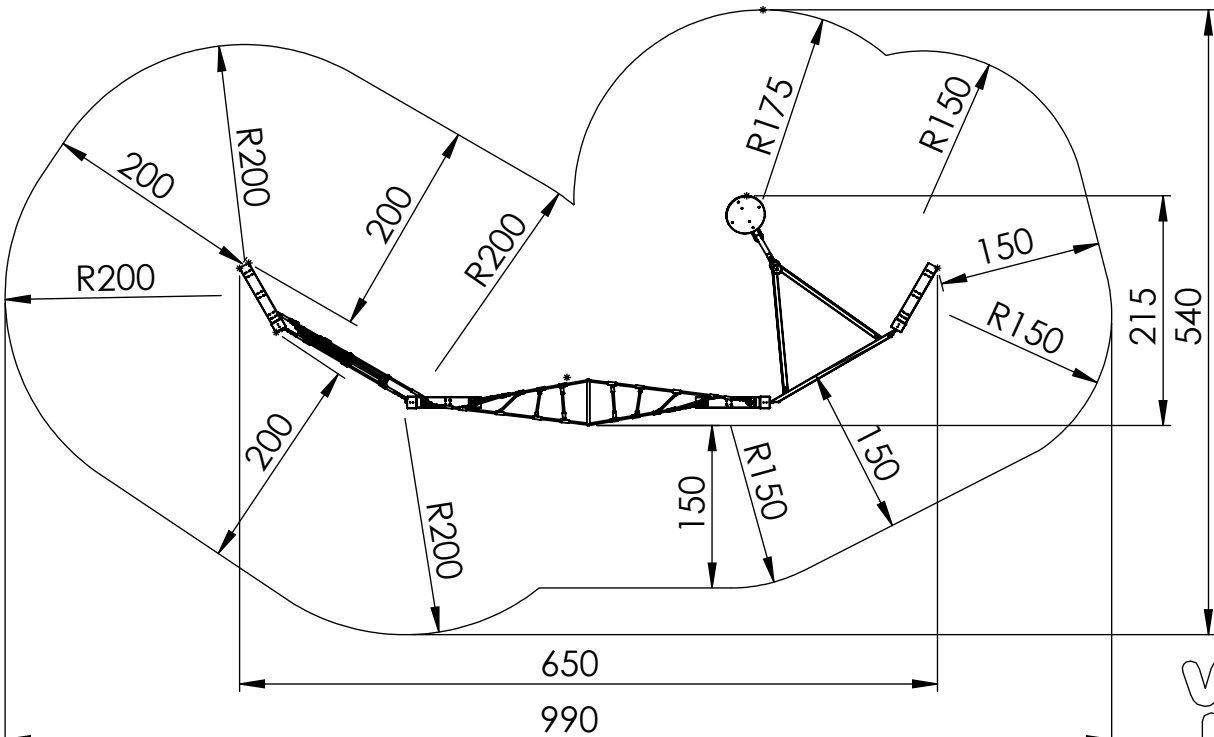
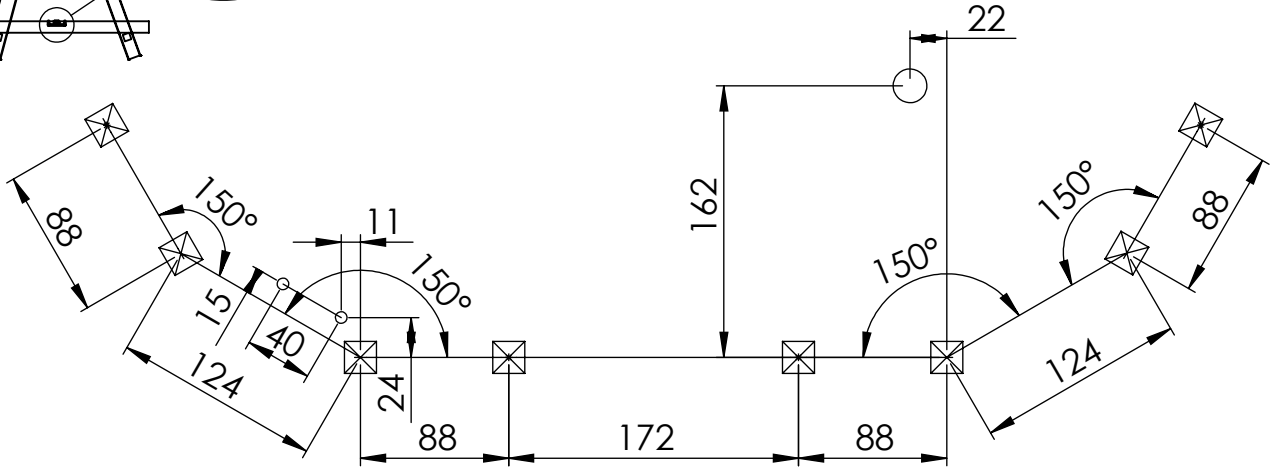
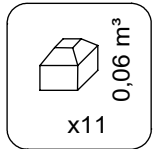
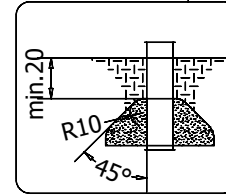
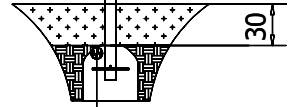
A.



B.

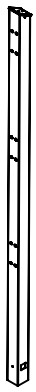


C.



[cm]

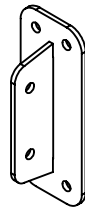
vinci play



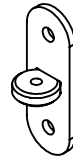
**164104**  
x4



**162100**  
x4



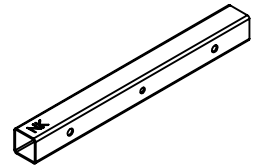
**162101**  
x8



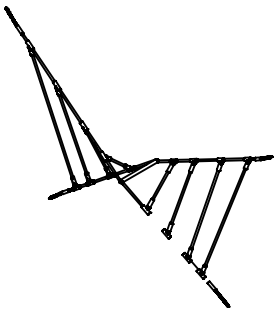
**162102**  
x6



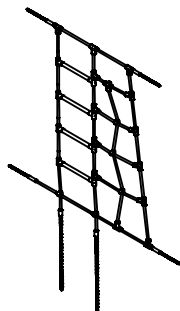
**162103**  
x2



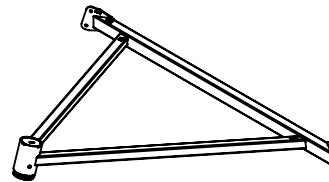
**NK\_kotw\_1**  
x8



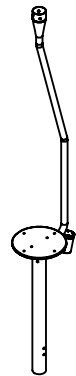
**165101**  
x1



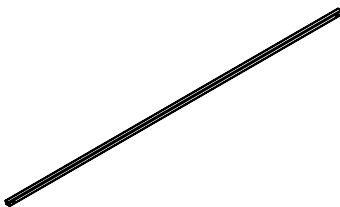
**165112**  
x1



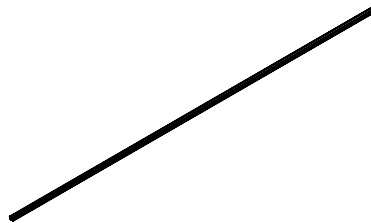
**164100**  
x1



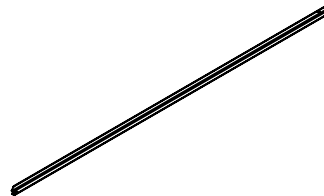
**164102**  
x1



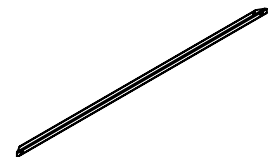
**163100**  
x1



**163101**  
x1

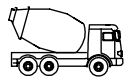


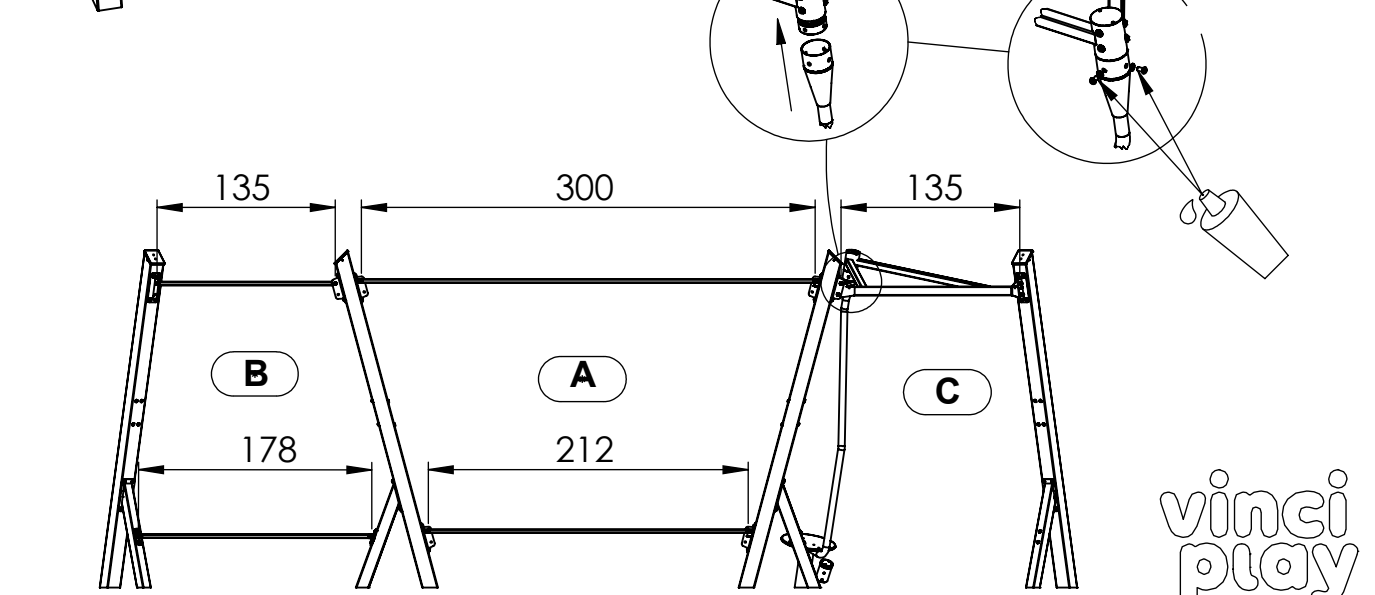
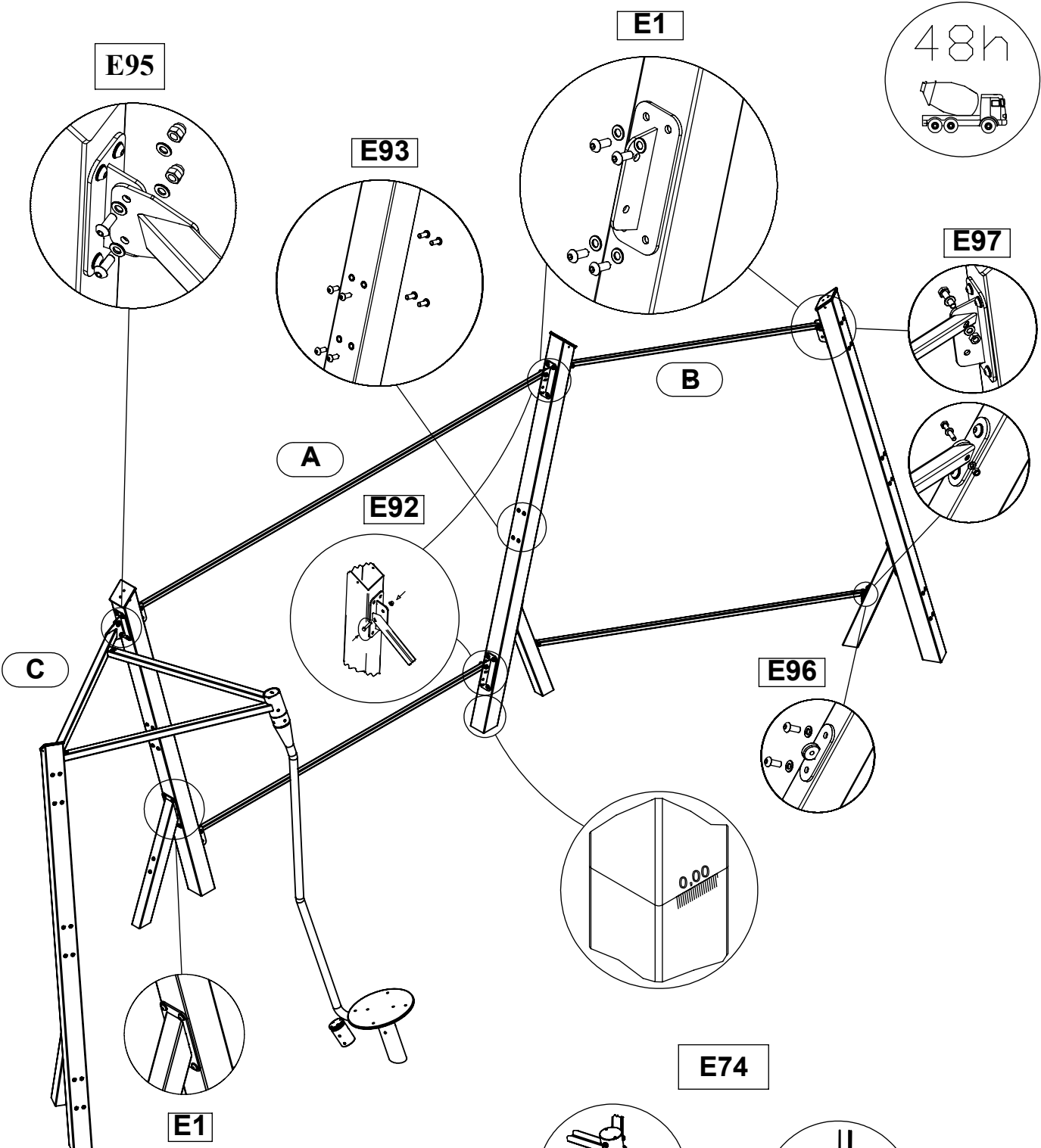
**163103**  
x1



**163104**  
x1

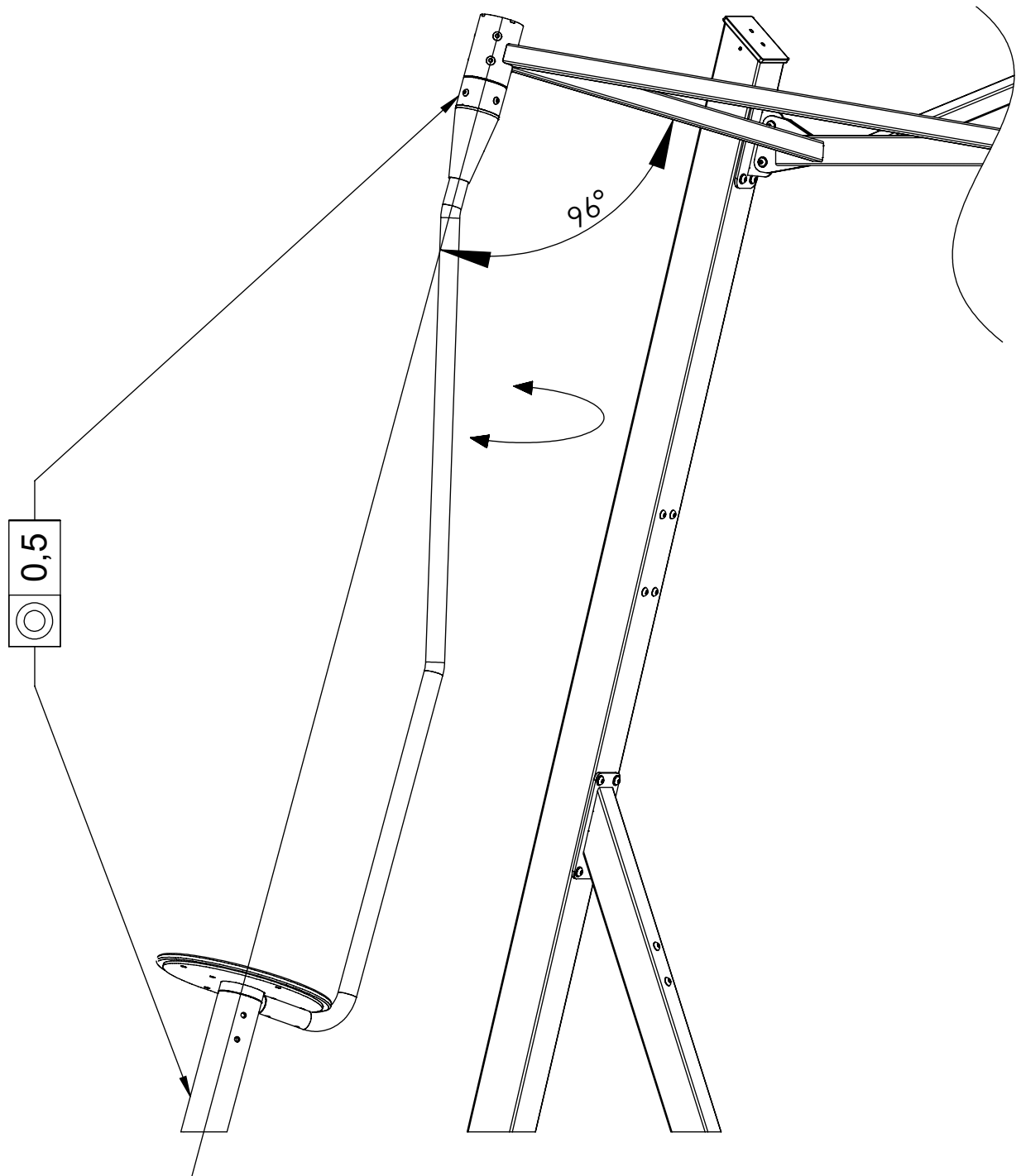
1x	E74
4x	E90
12x	E1
4x	E92
13x	E93
3x	E94
1x	E95
2x	E96
1x	E97
2x	WD52
1x	V002

48h  




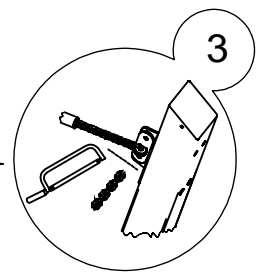
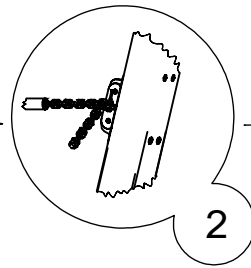
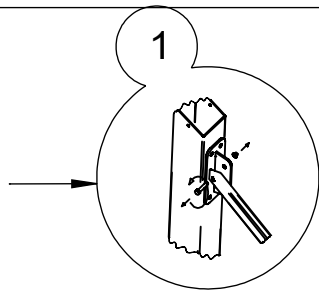
[cm]

vinci  
play

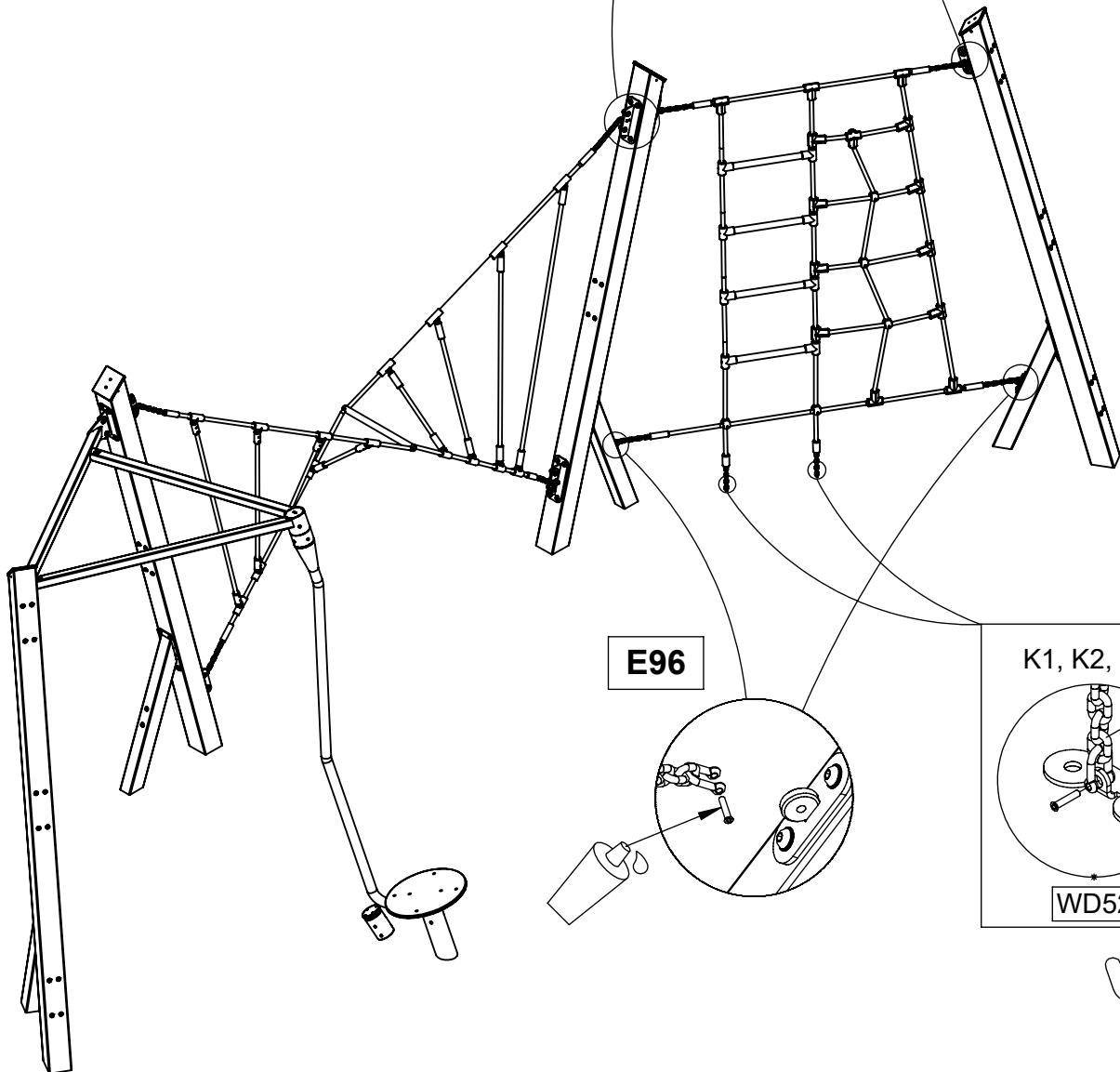
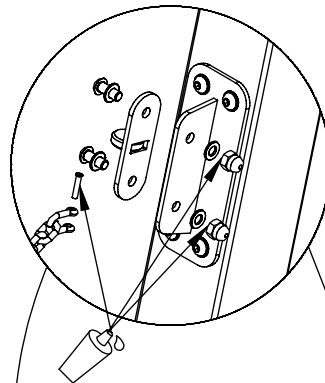


[cm]

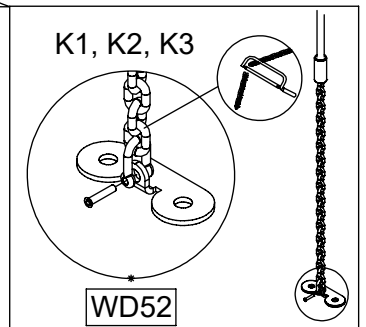
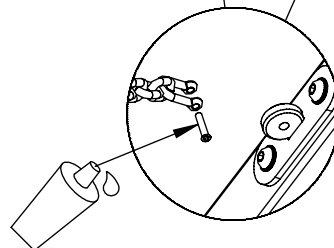
vinci  
play



E94



E96



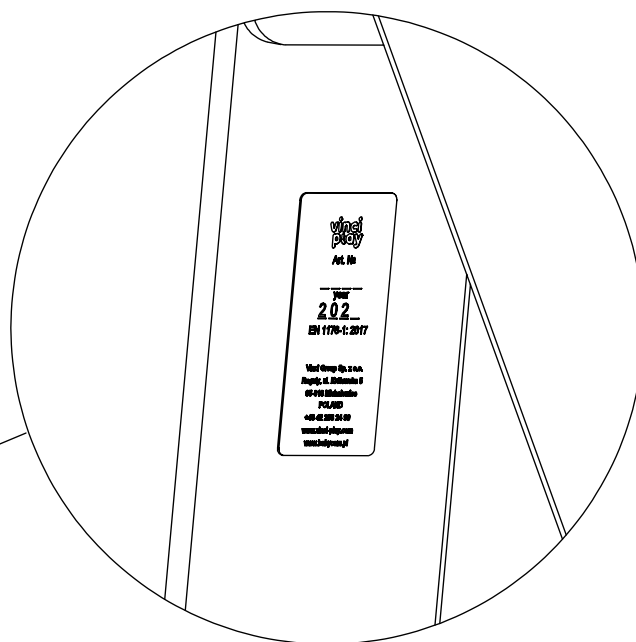
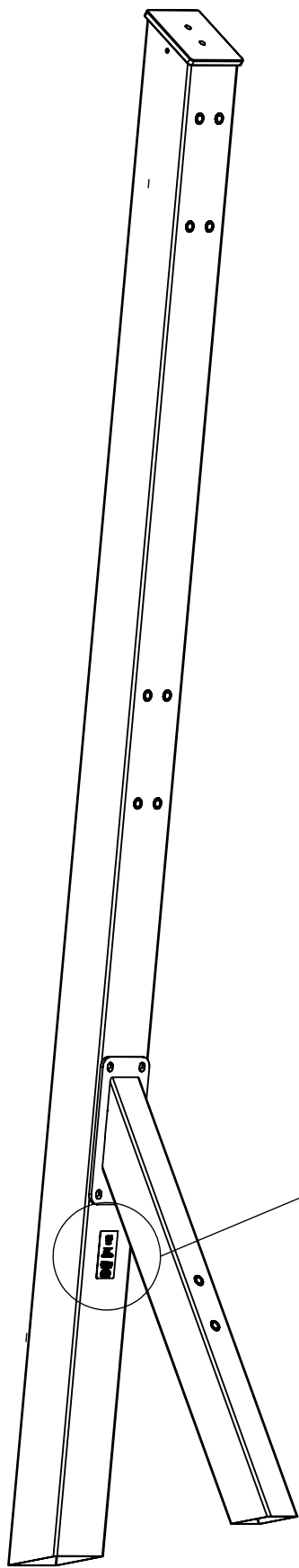
K1, K2, K3

WD52

[cm]

vinci  
play





1x V002

[cm]

vinci  
play