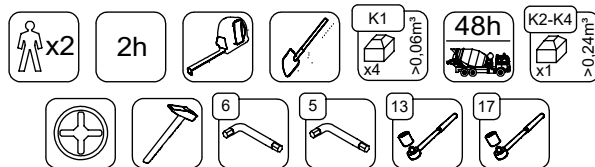
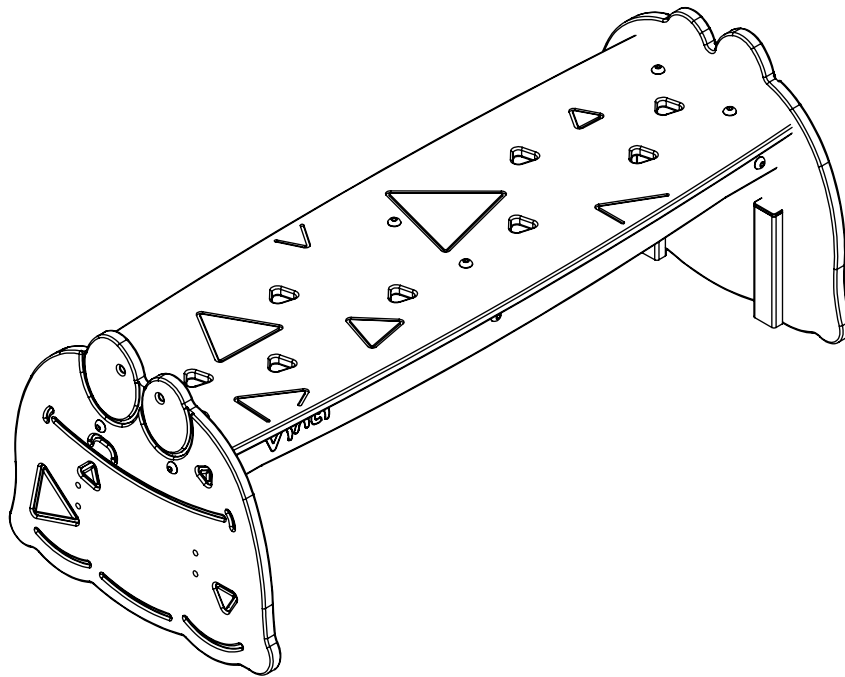
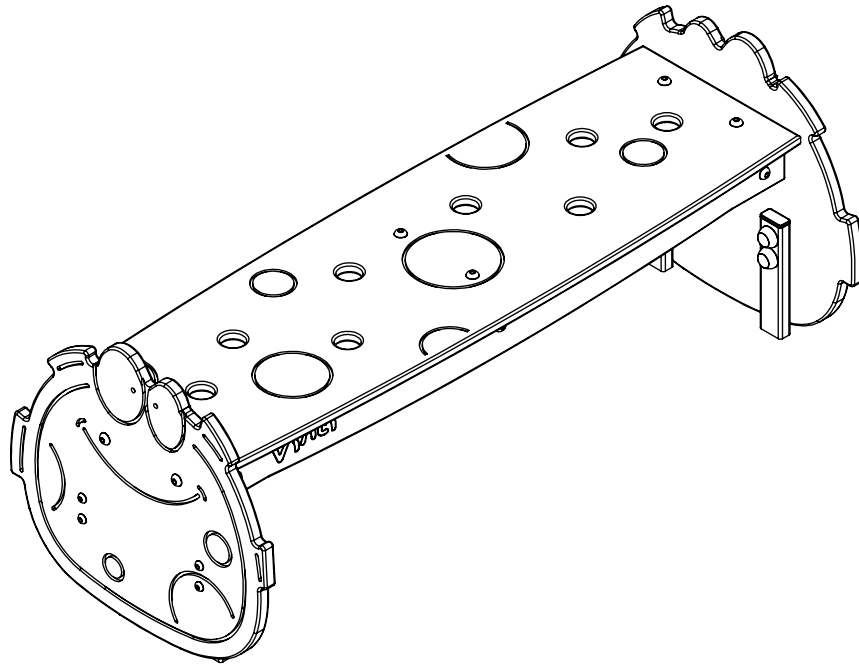


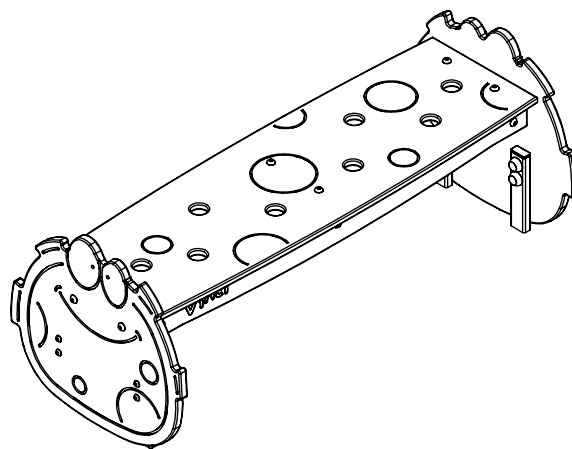
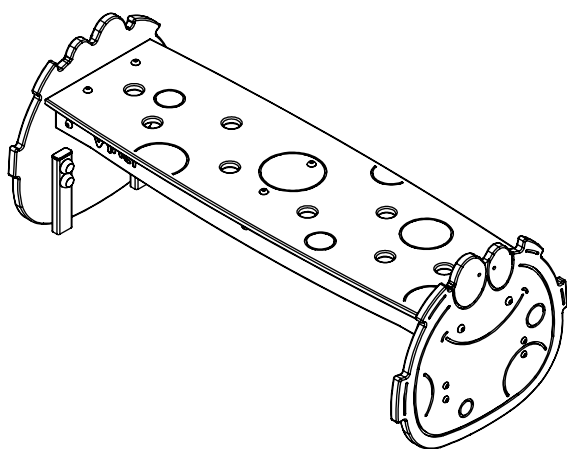
# 0911 - 0912



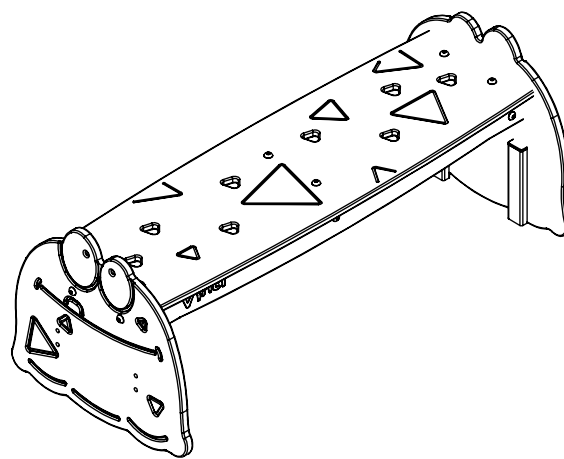
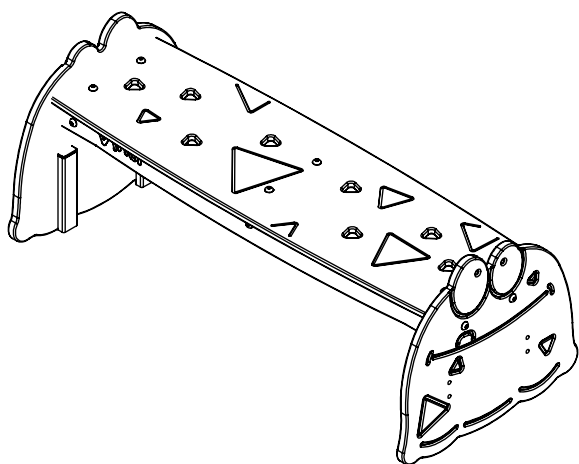
v010  
14.12.2021  
A. D.  
[cm]

vinci  
play

0911



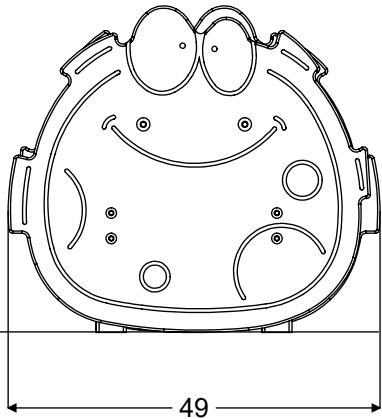
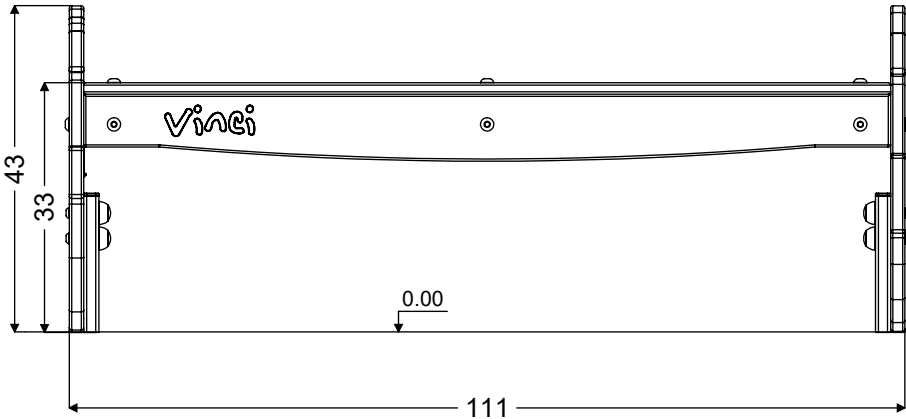
0912



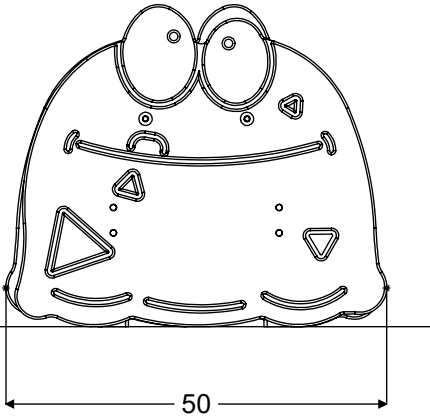
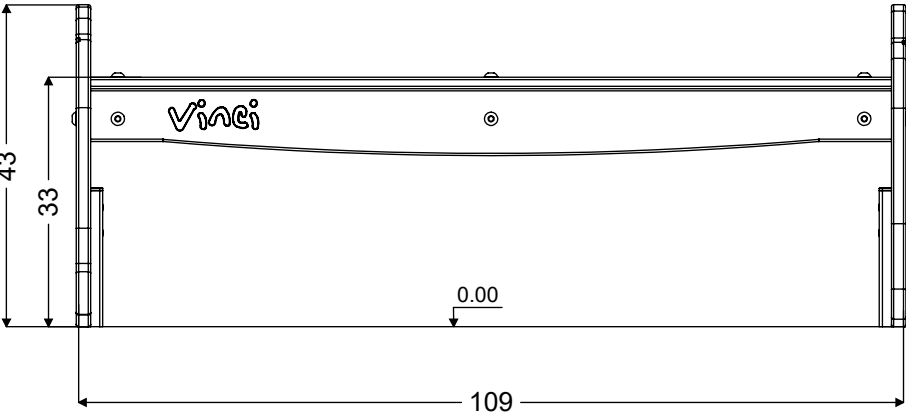
[cm]

vinci  
play

0911

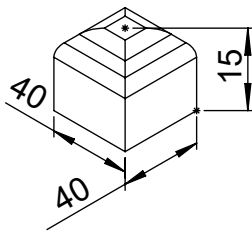
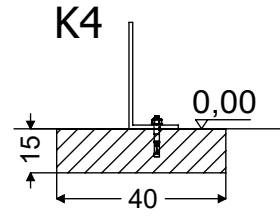
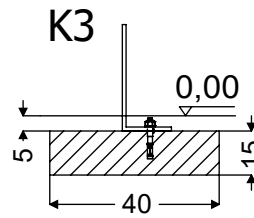
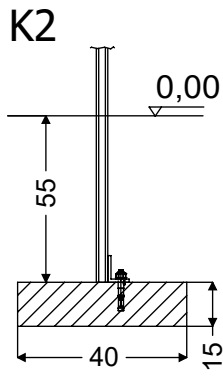
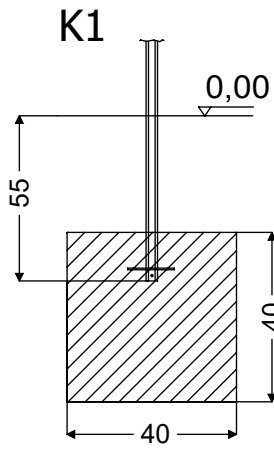



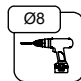

0912

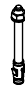




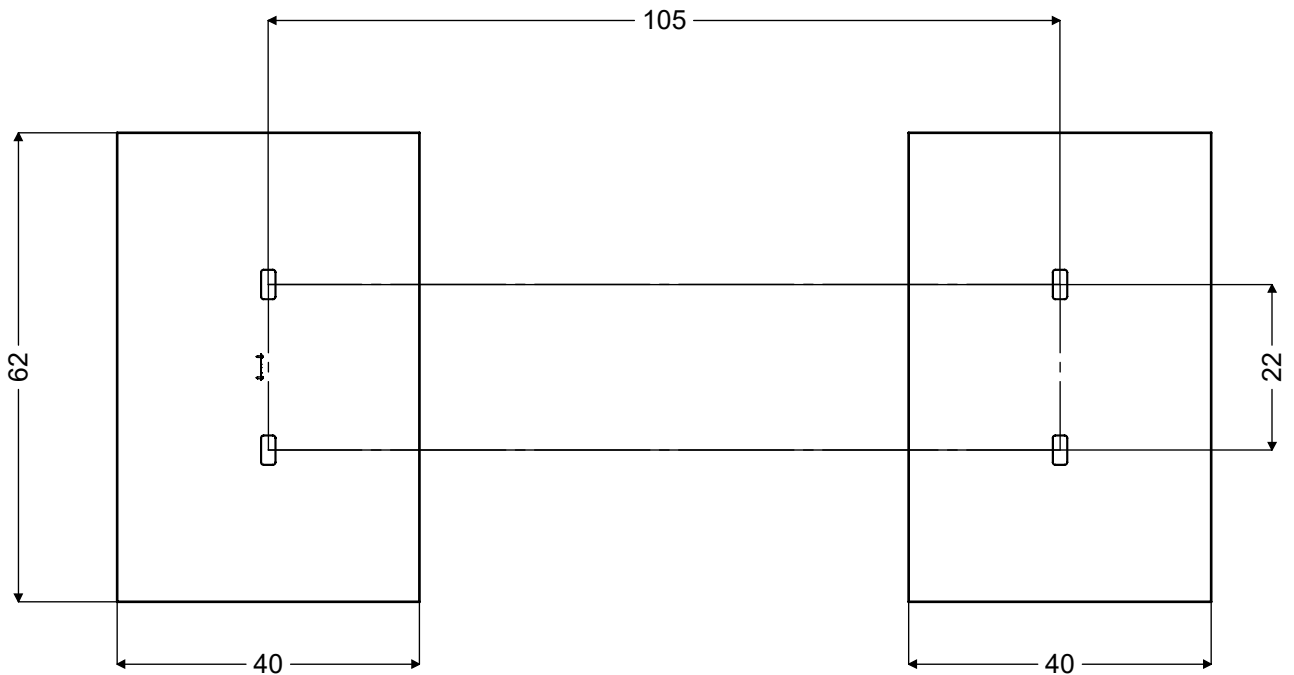
[cm]

vinci  
play



	K2
M8x120 x4	
NOT INCLUDED	

	K3, K4
M10x120 x4	
NOT INCLUDED	



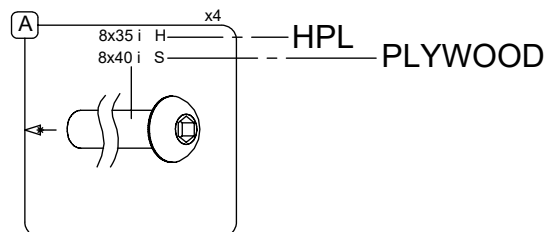
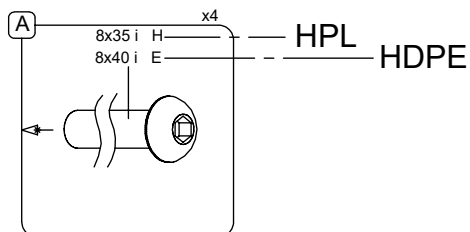
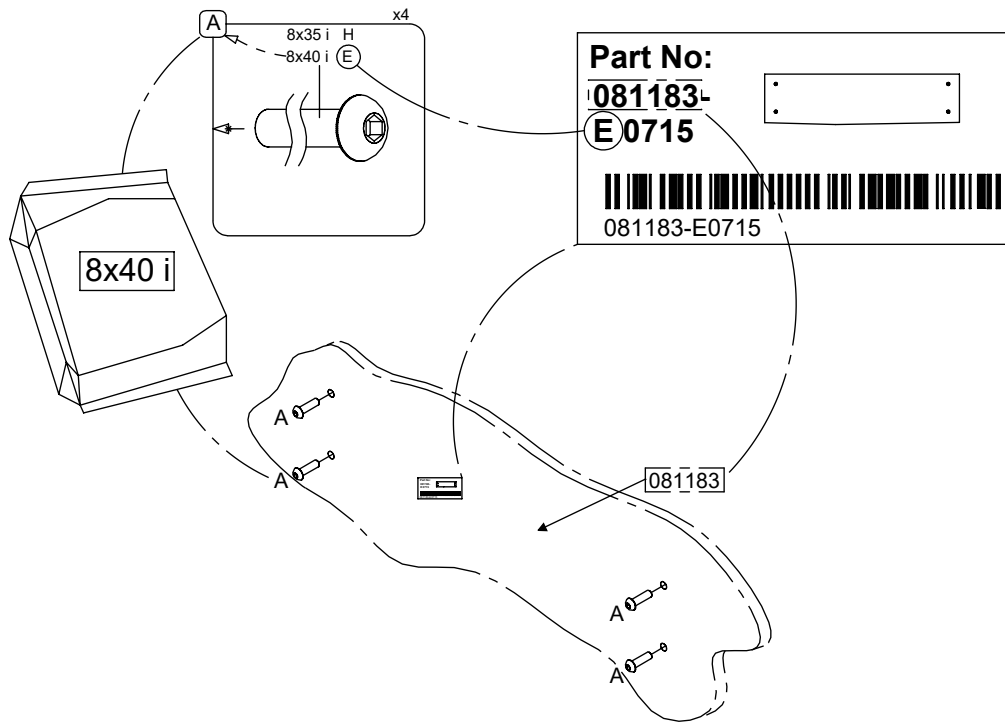
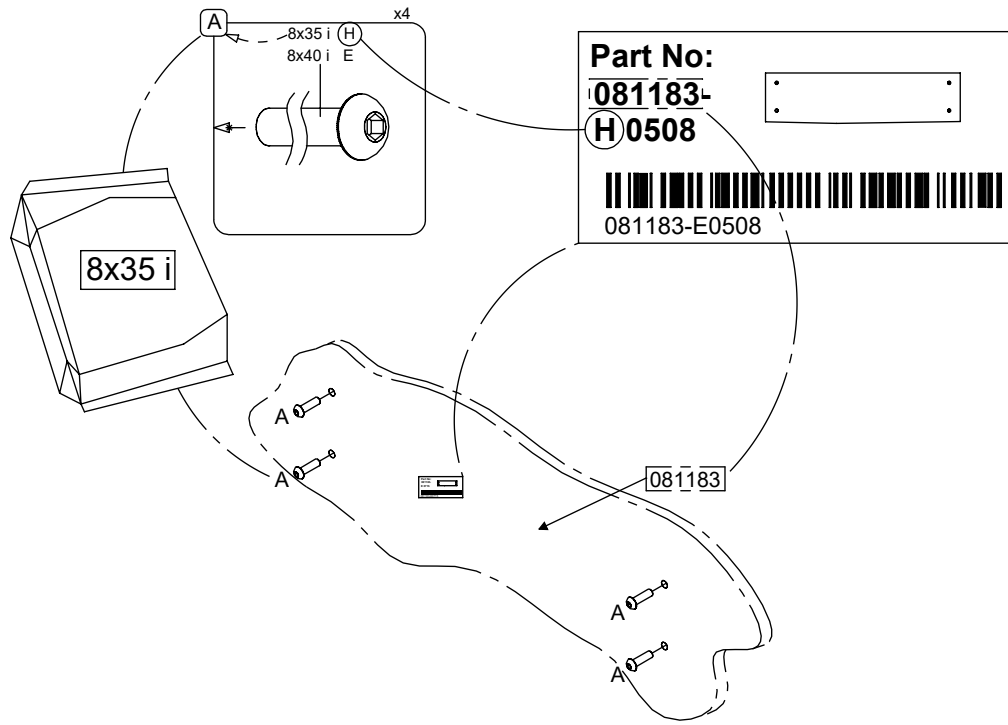
[cm]



2h



vinci  
play



[cm]

vinci  
play

0911



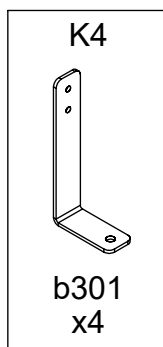
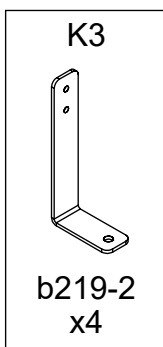
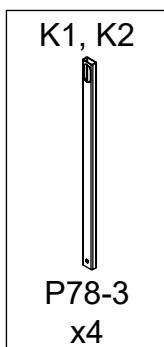
091132  
x2



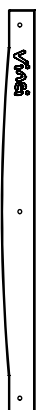
091108  
x1



091107  
x2



0912



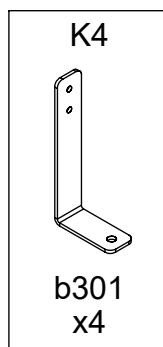
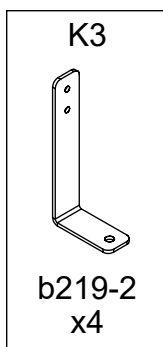
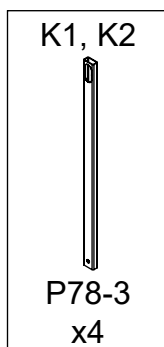
091132  
x2



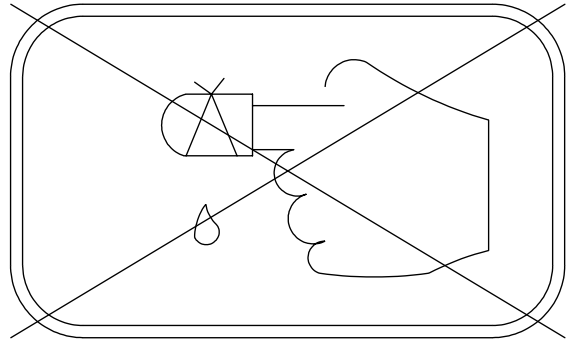
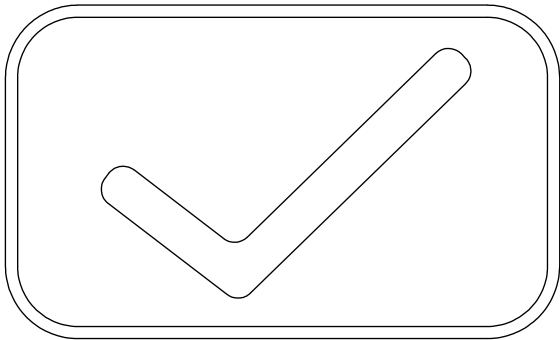
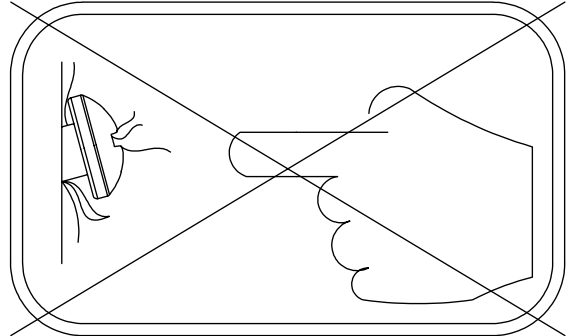
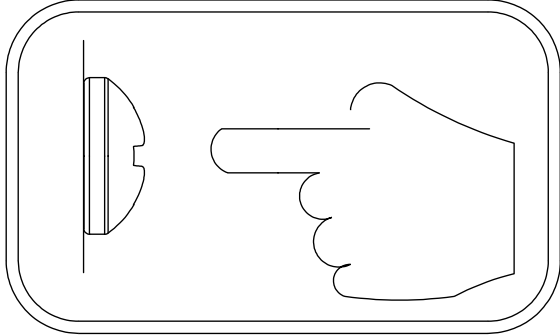
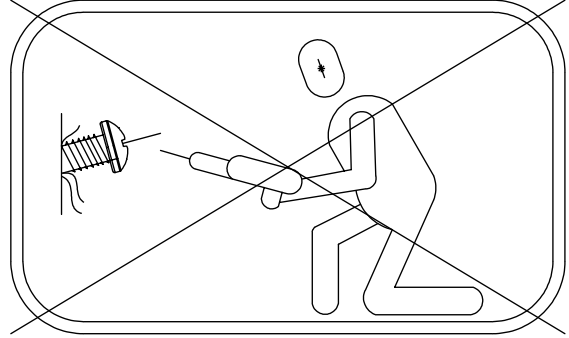
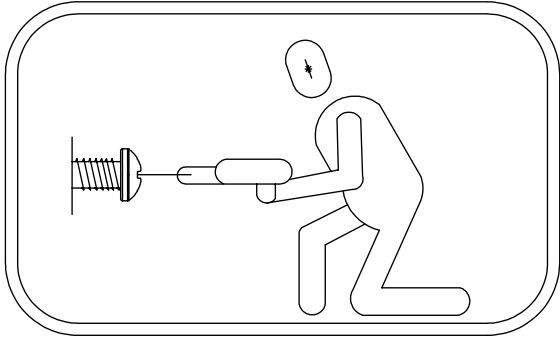
091110  
x1

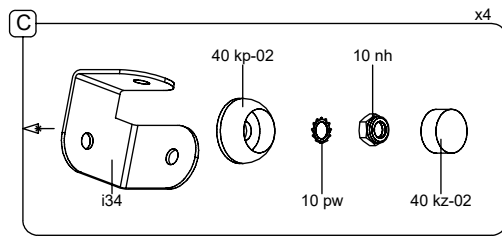
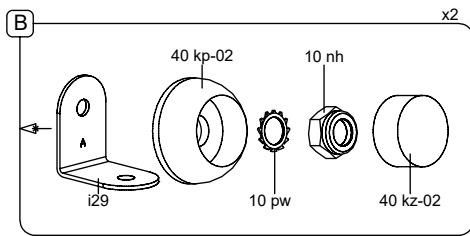
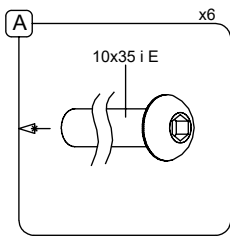


091109  
x2

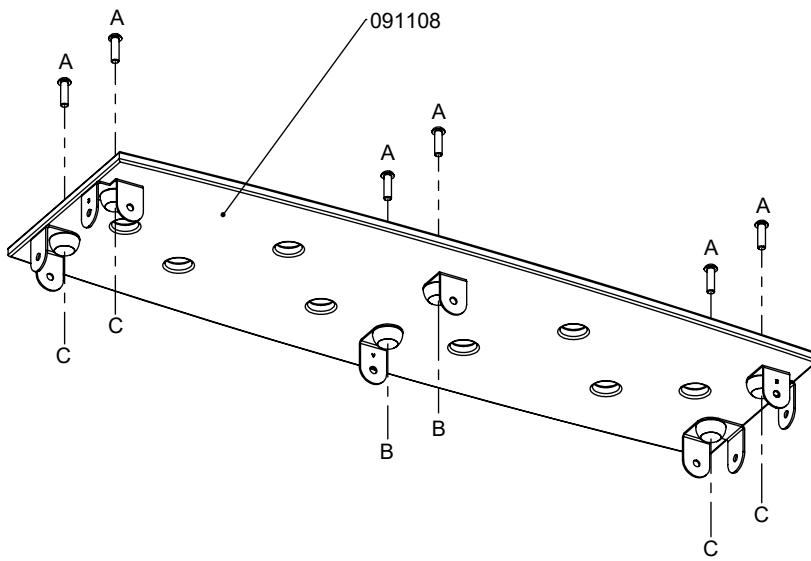


K	xN	P1 CE
K1	8 x	8x50 i
K1	4 x	996208
K1	4 x	DRUT
K2	8 x	8x50 i
K2	4 x	996208
K2	4 x	10x35 m
K2	4 x	i128-1
K2	4 x	10 pp
K2	4 x	10 nh
K3	8 x	8x35 i
K4	8 x	8x35 i
	10 x	10x35 i
	2 x	i29
	16 x	40 kp-02
	16 x	40 kz-02
	16 x	10 pw
	16 x	10 nh
	4 x	i34
	6 x	10x30 i
	8 x	30 kp-02
	8 x	30 kz-02
	8 x	8 pw
	8 x	8 nh
	1 x	V002

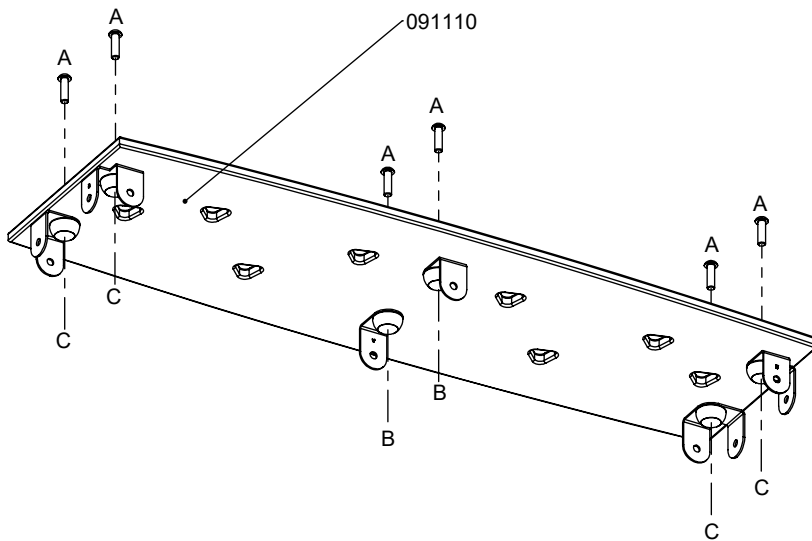




0911



0912

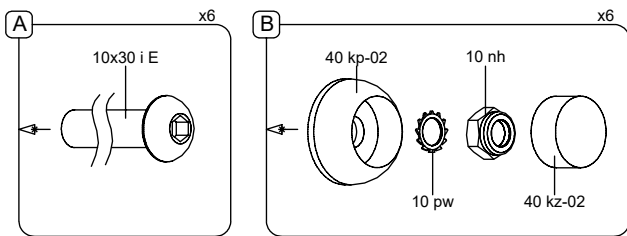


[cm]

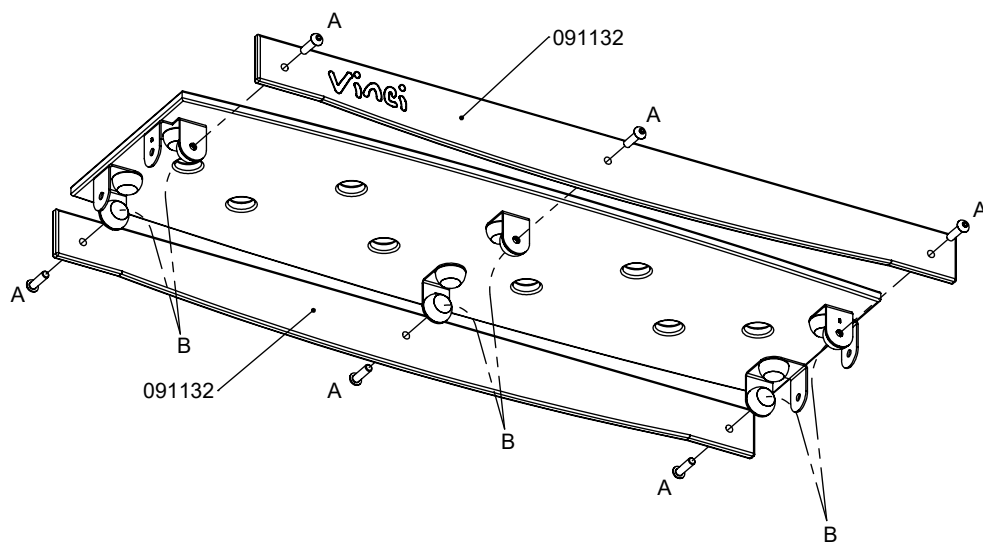


vinci  
play

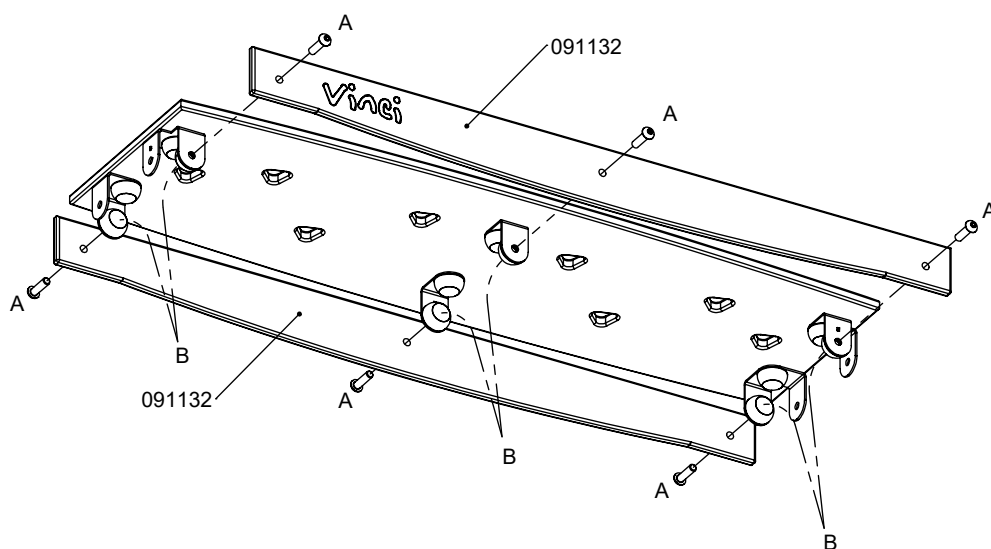




0911



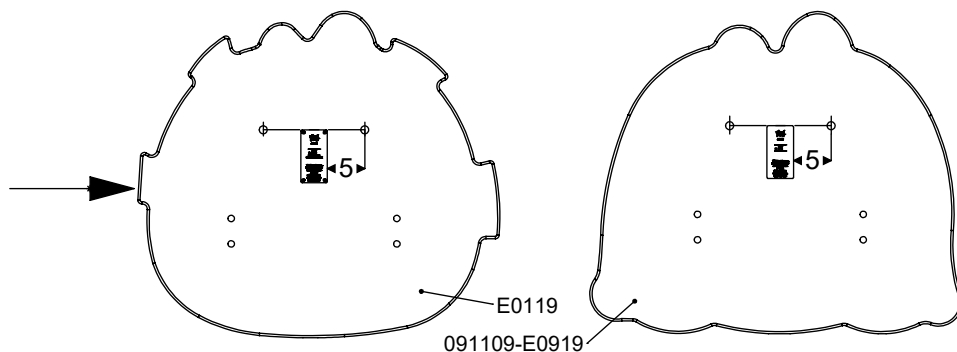
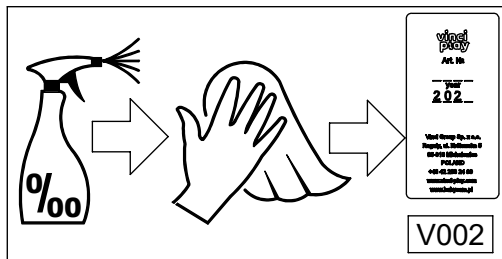
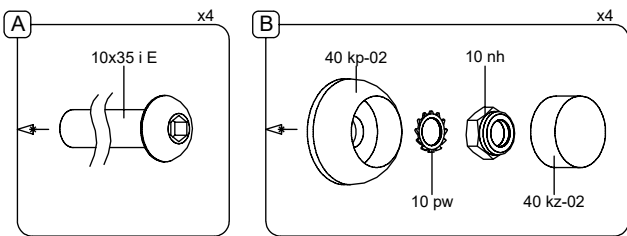
0912



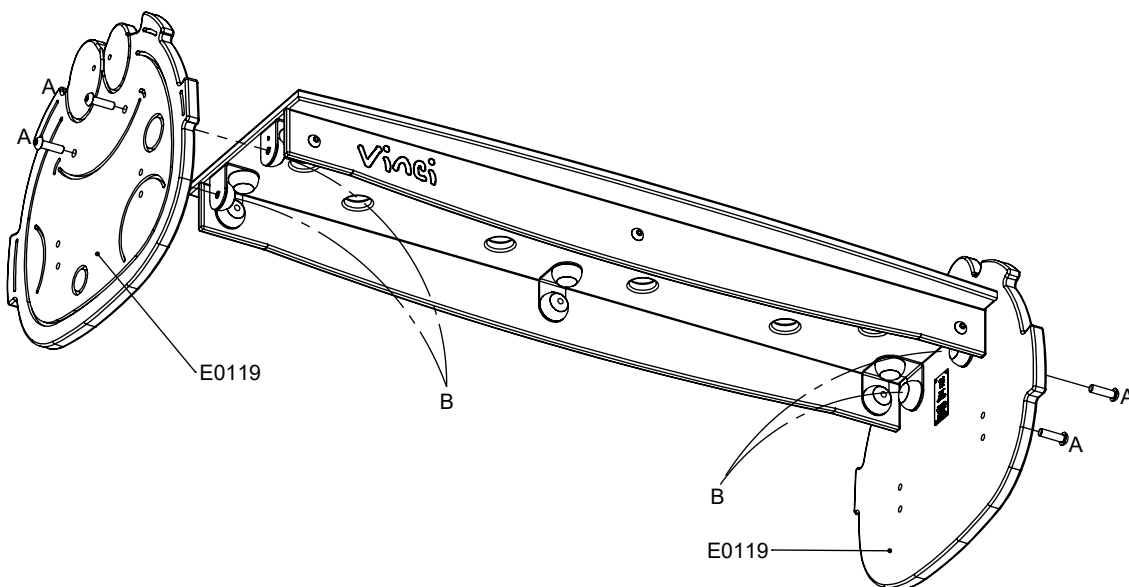
[cm]



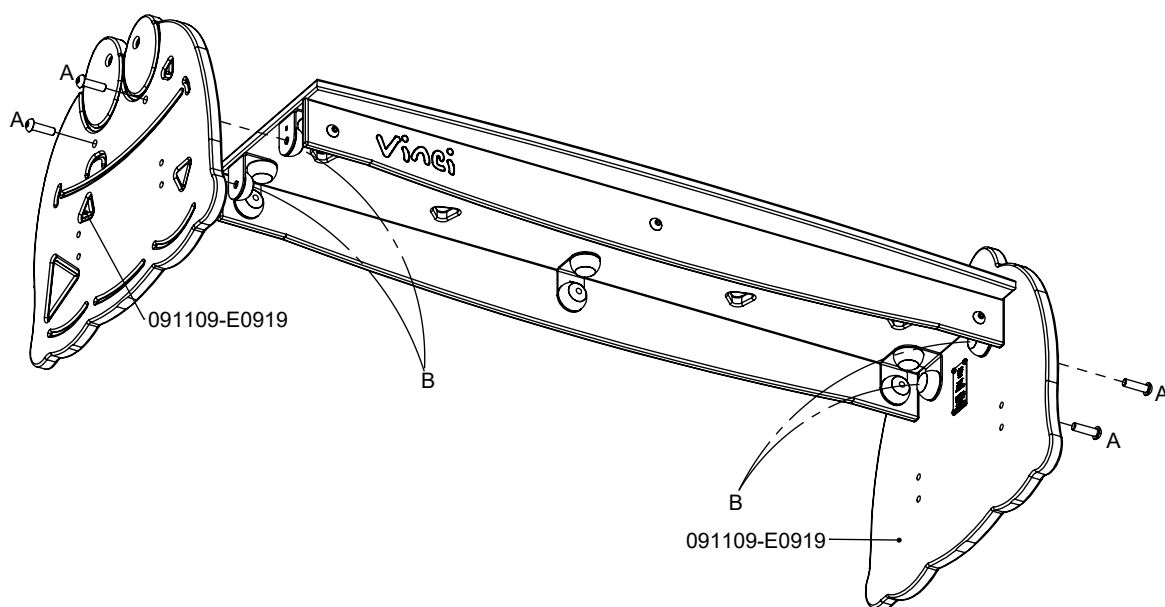
vinci  
play



0911



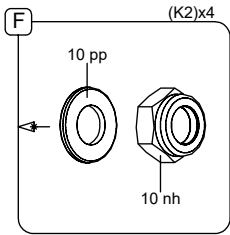
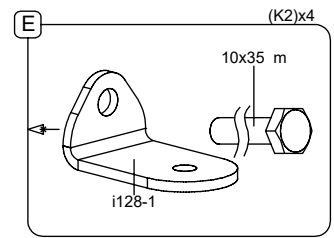
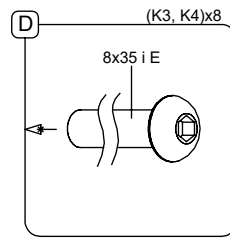
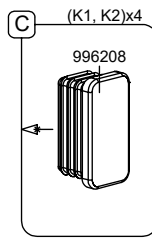
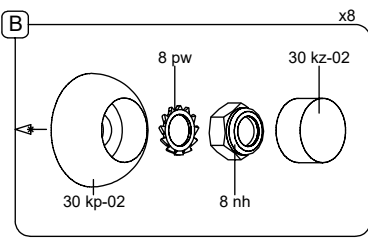
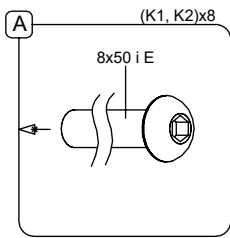
0912



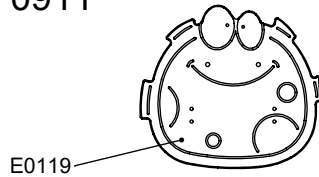
[cm]



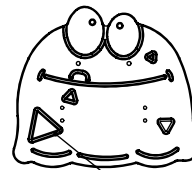
vinci  
play



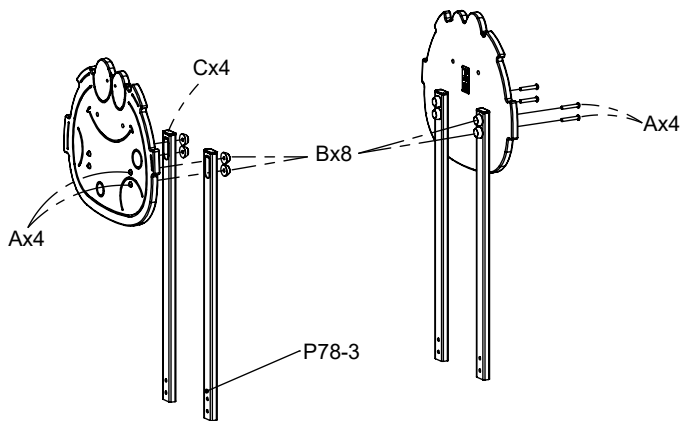
0911



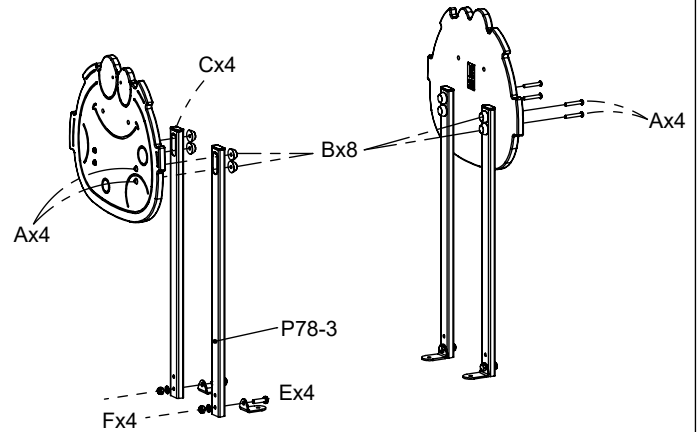
0912



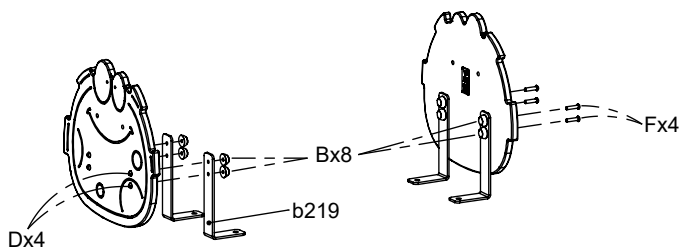
**K1**



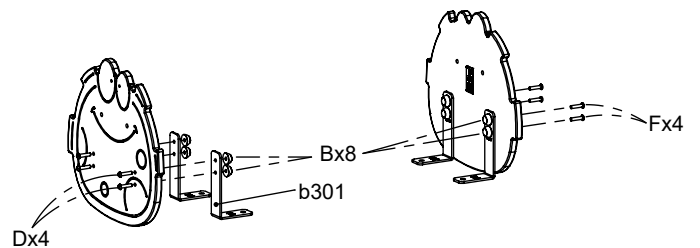
**K2**



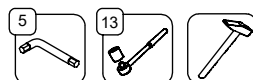
**K3**



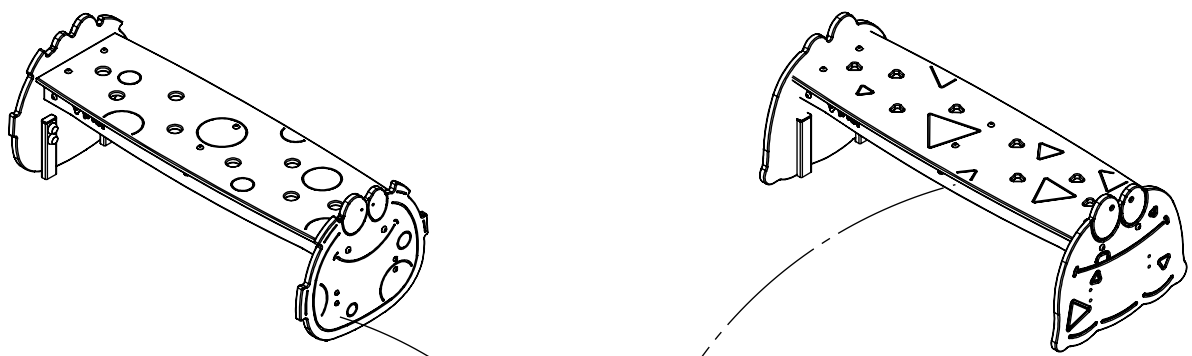
**K4**




[cm]



vinci  
play



**Part No:**  
**000000-**   
**000000**



000000-00000

