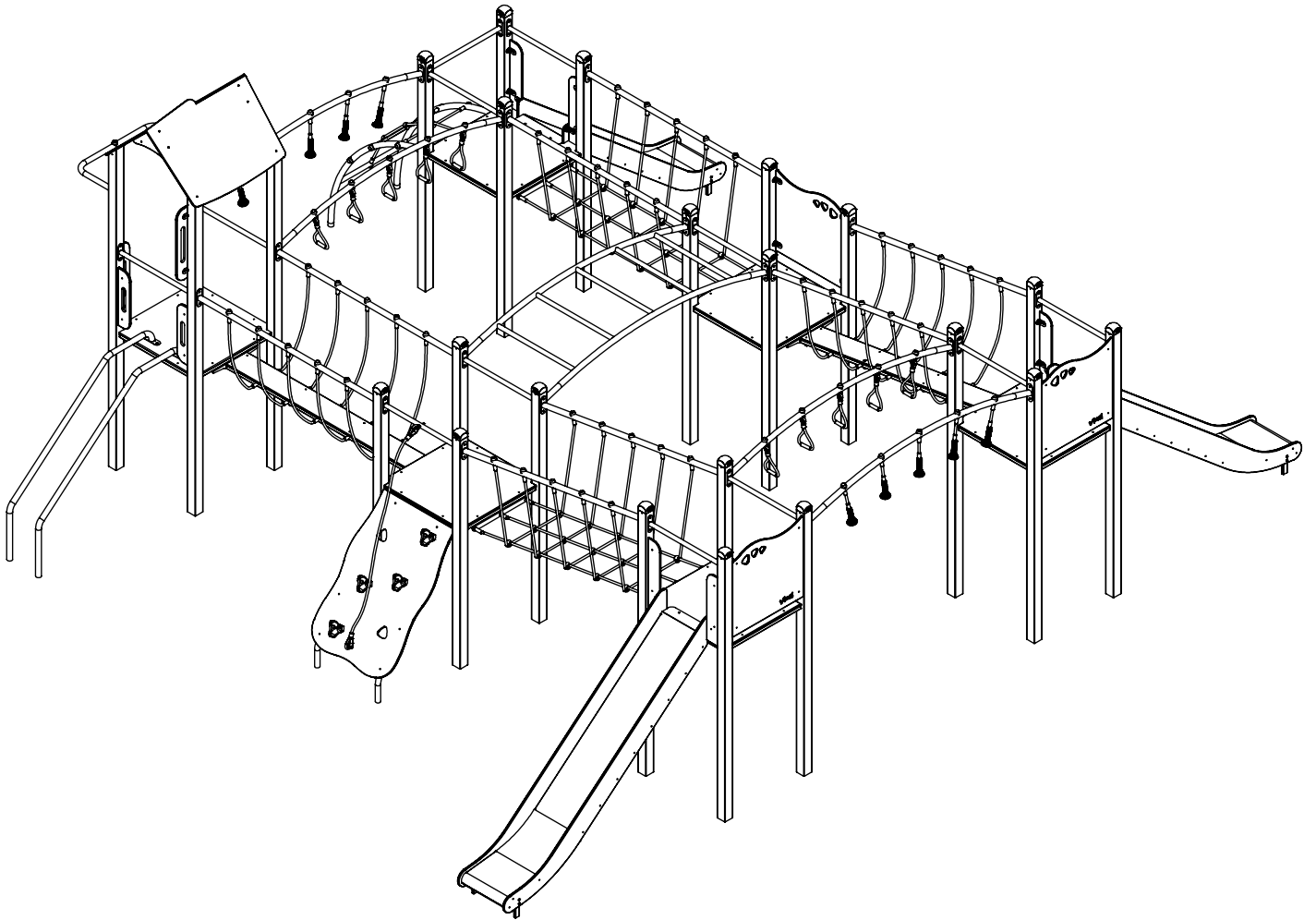
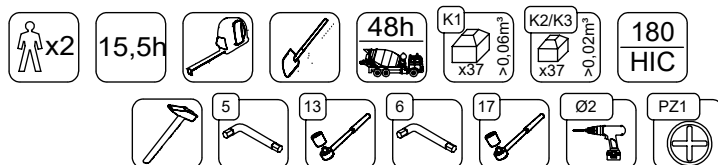


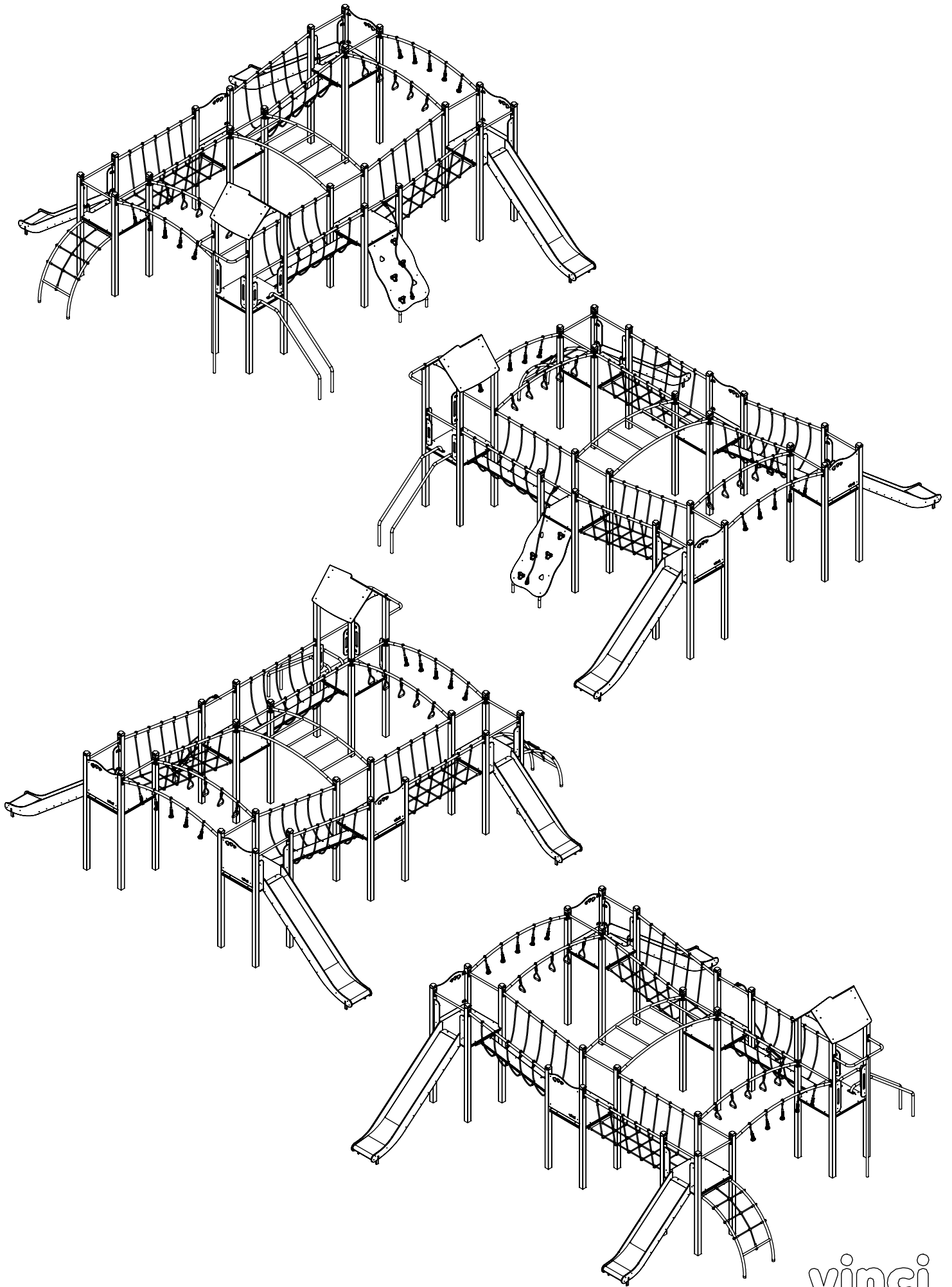
# 0214



v013  
17.05.2021  
A. P.  
[cm]

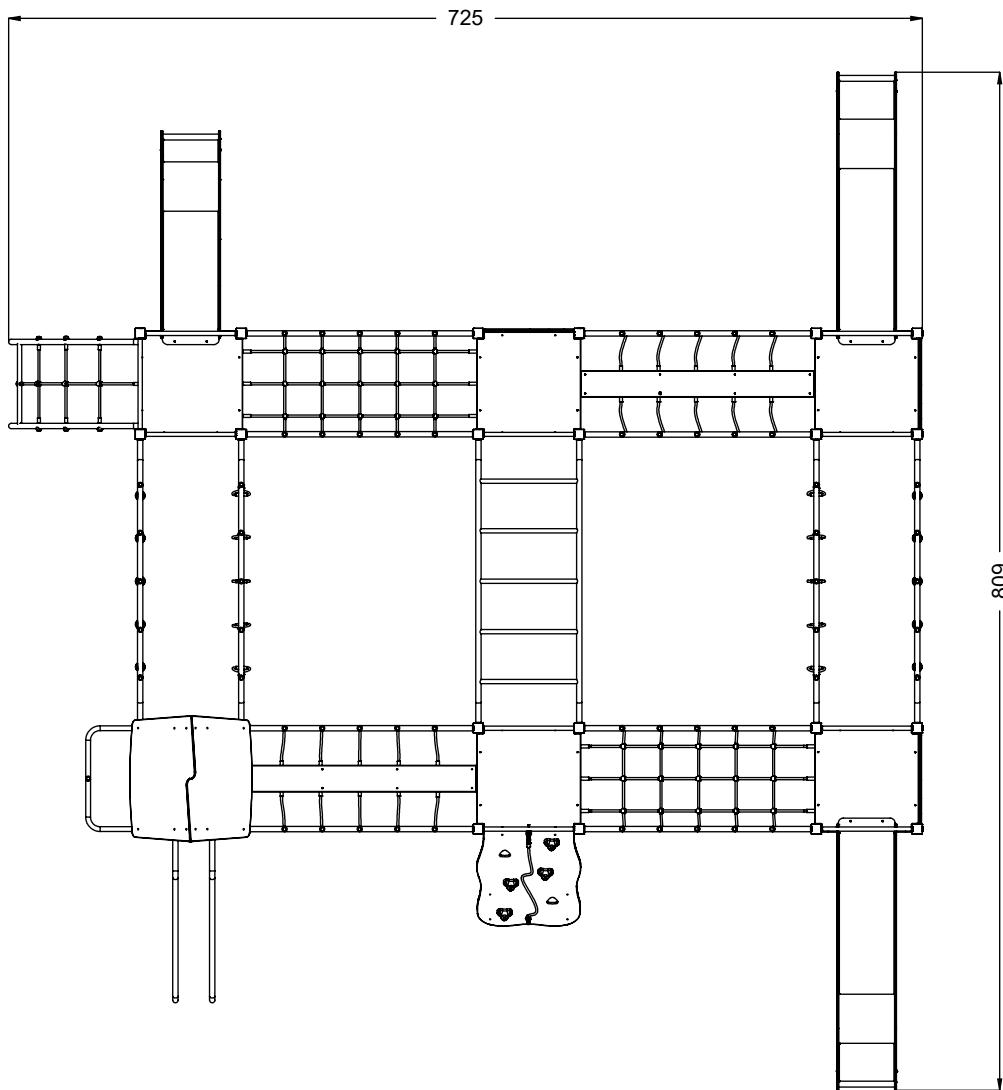
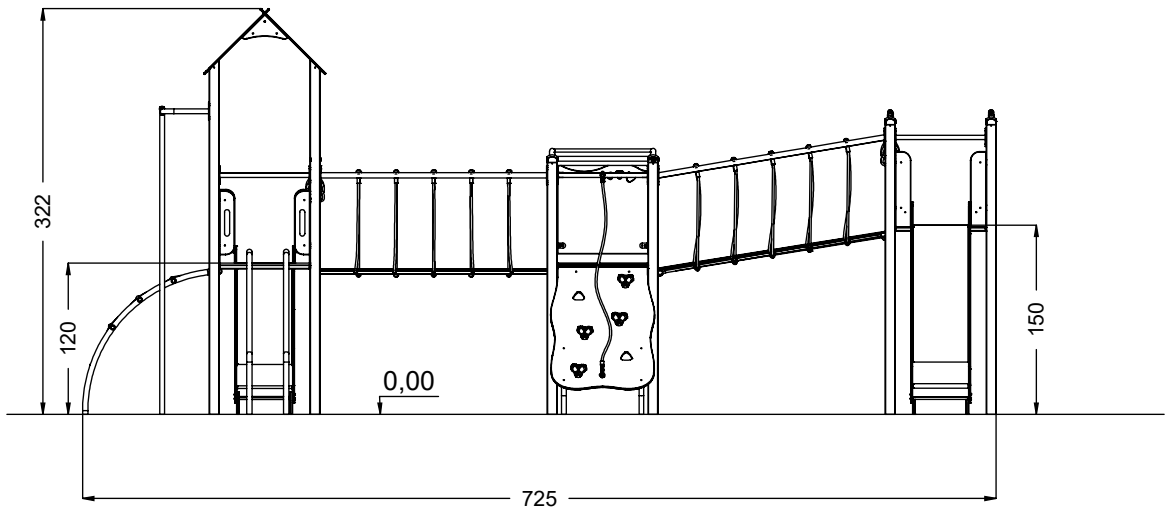


vinci  
play



[cm]

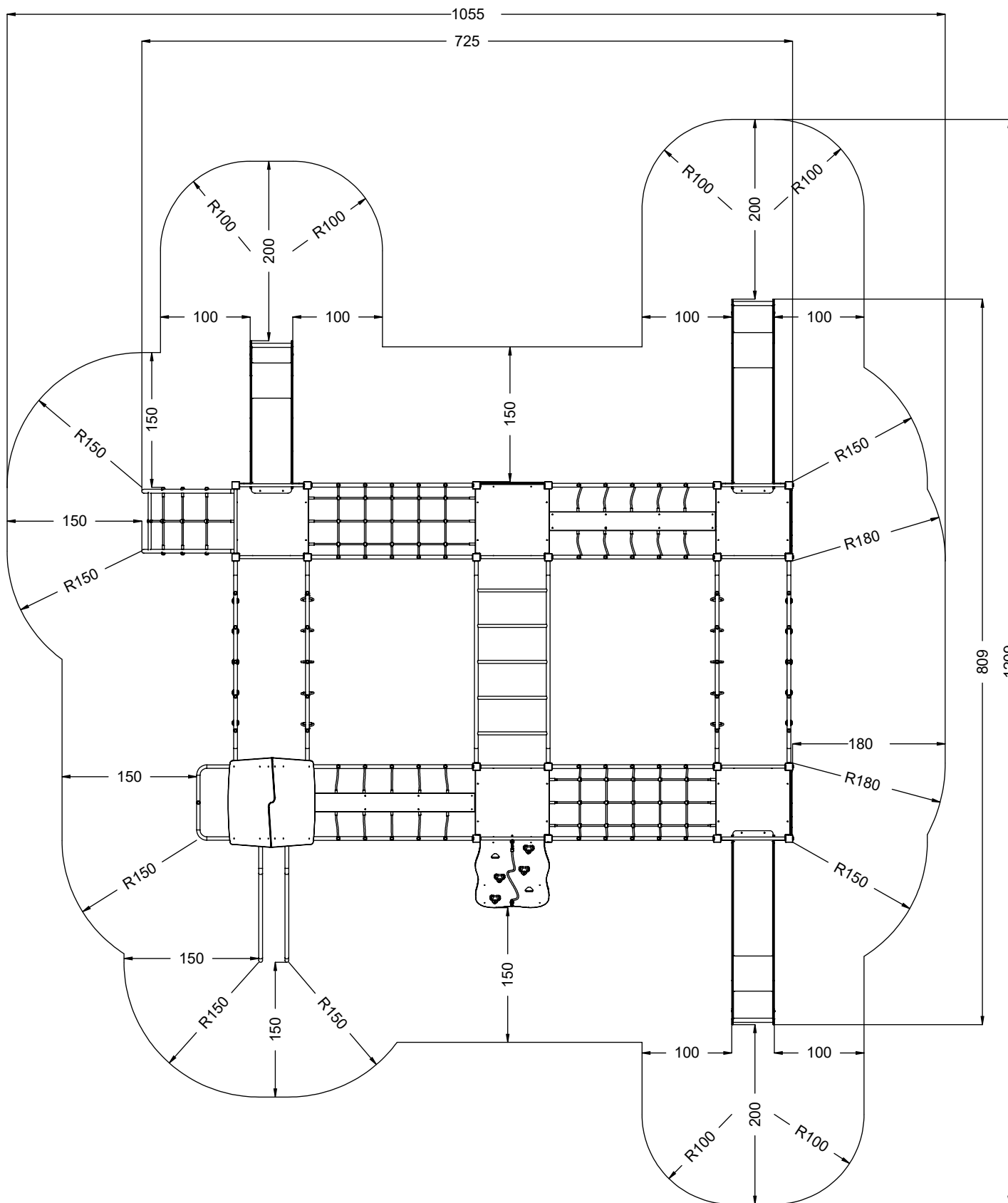
vinci  
play



[cm]



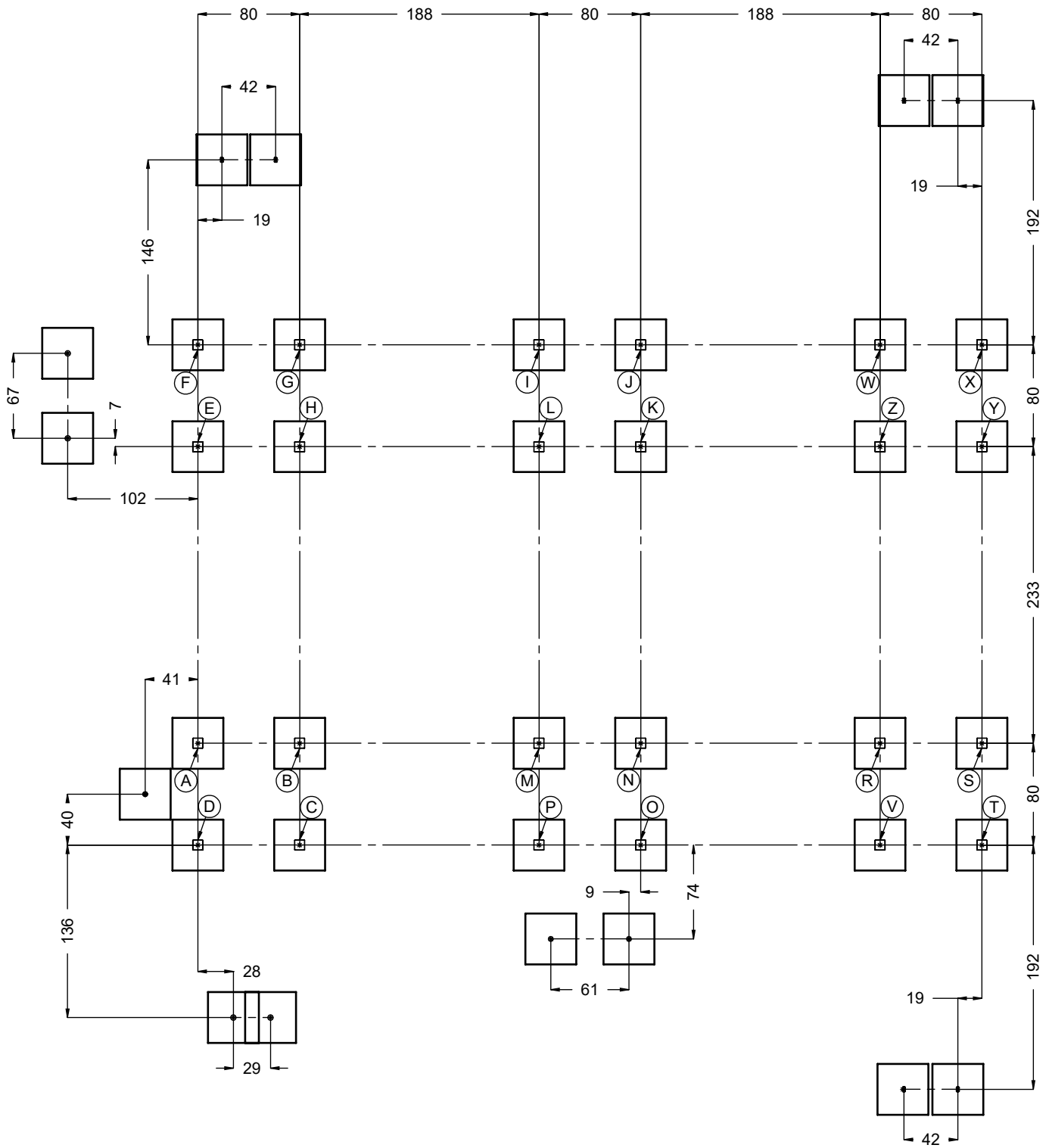
vinci  
play



[cm]



vinci  
play



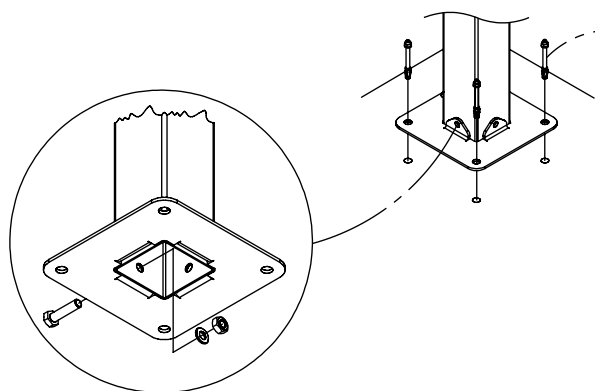
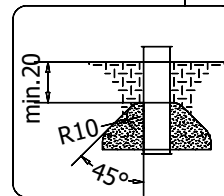
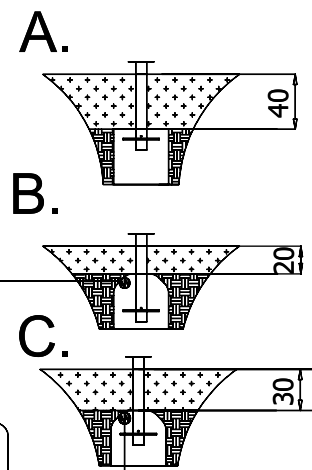
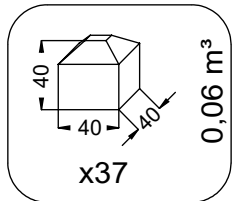
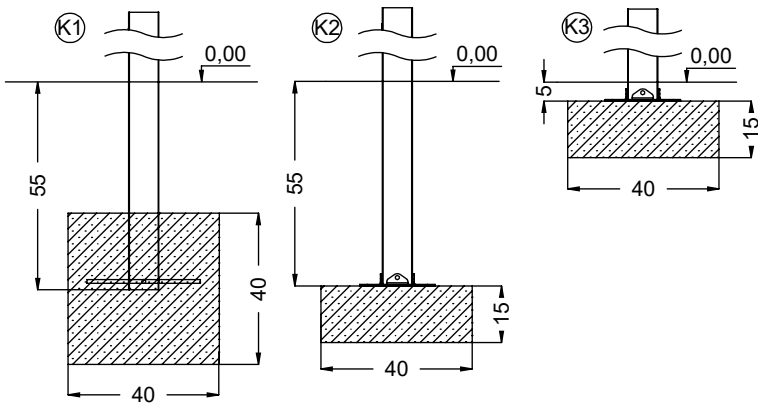
[cm]





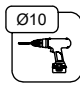



15,5h



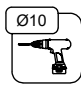
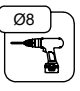




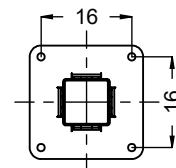
vinci  
play



E37

96x M10x120 (K2)	12x M8x120 (K2)
102x M10x120 (K3)	6x M8x120 (K3)
	
	
<b>NOT INCLUDED</b>	<b>NOT INCLUDED</b>
	

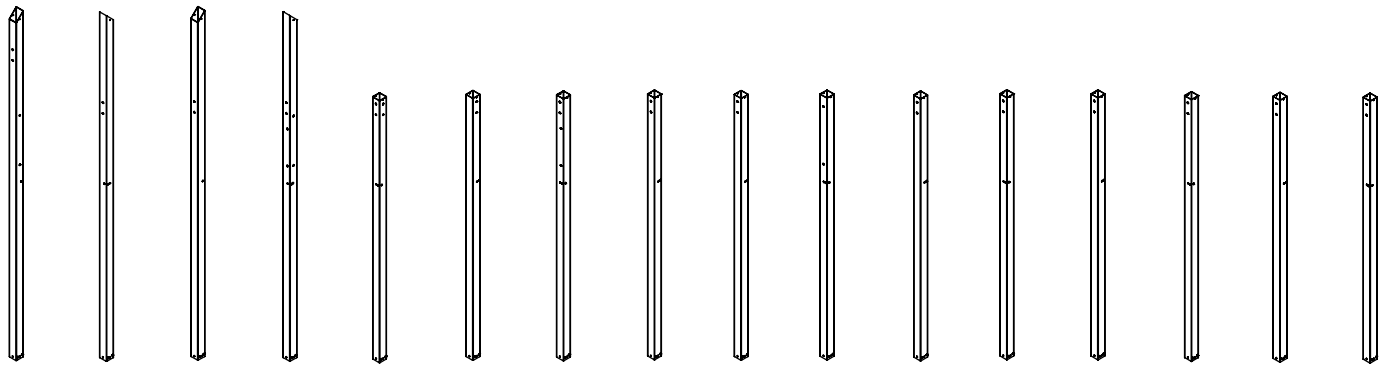
96x M10x120 (K2)	12x M8x120 (K2)
102x M10x120 (K3)	6x M8x120 (K3)
	
	
<b>NOT INCLUDED</b>	<b>NOT INCLUDED</b>
	



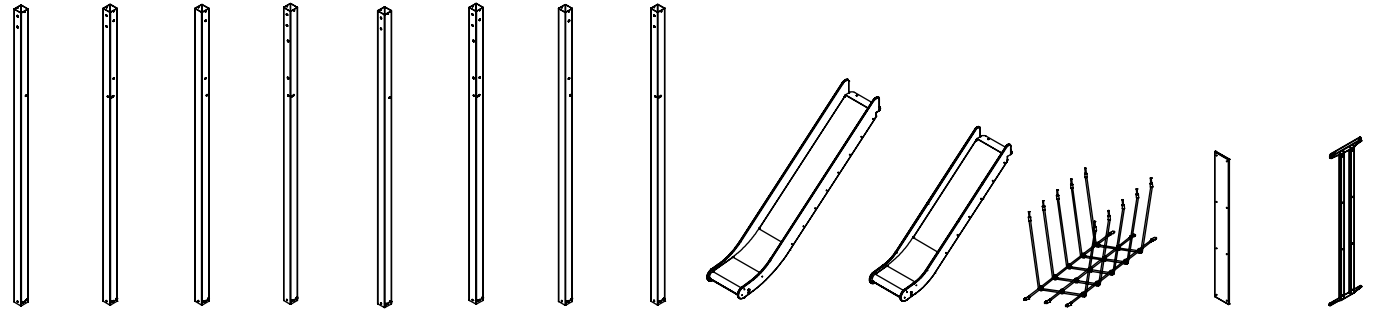
[cm]



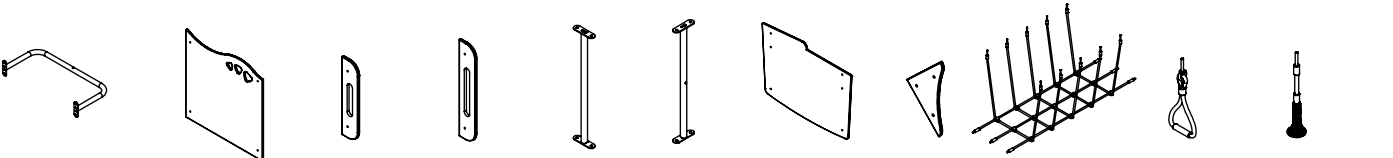
vinci  
play



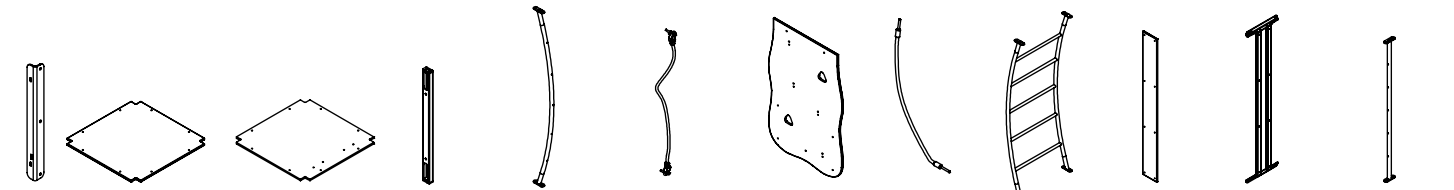
214A x1 214B x1 214C x1 214D x1 214E x1 214F x1 214G x1 214H x1 214I x1 214J x1 214K x1 214L x1 214M x1 214N x1 214O x1 214P x1



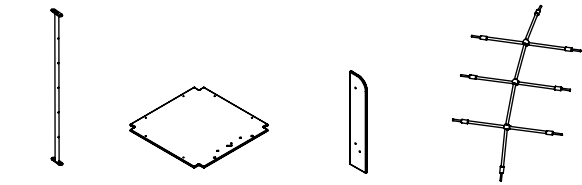
214R x1 214S x1 214T x1 214V x1 214W x1 214X x1 214Y x1 214Z x1 994105 x2 994104 x1 025103 x1 021132 x1 021116 x1



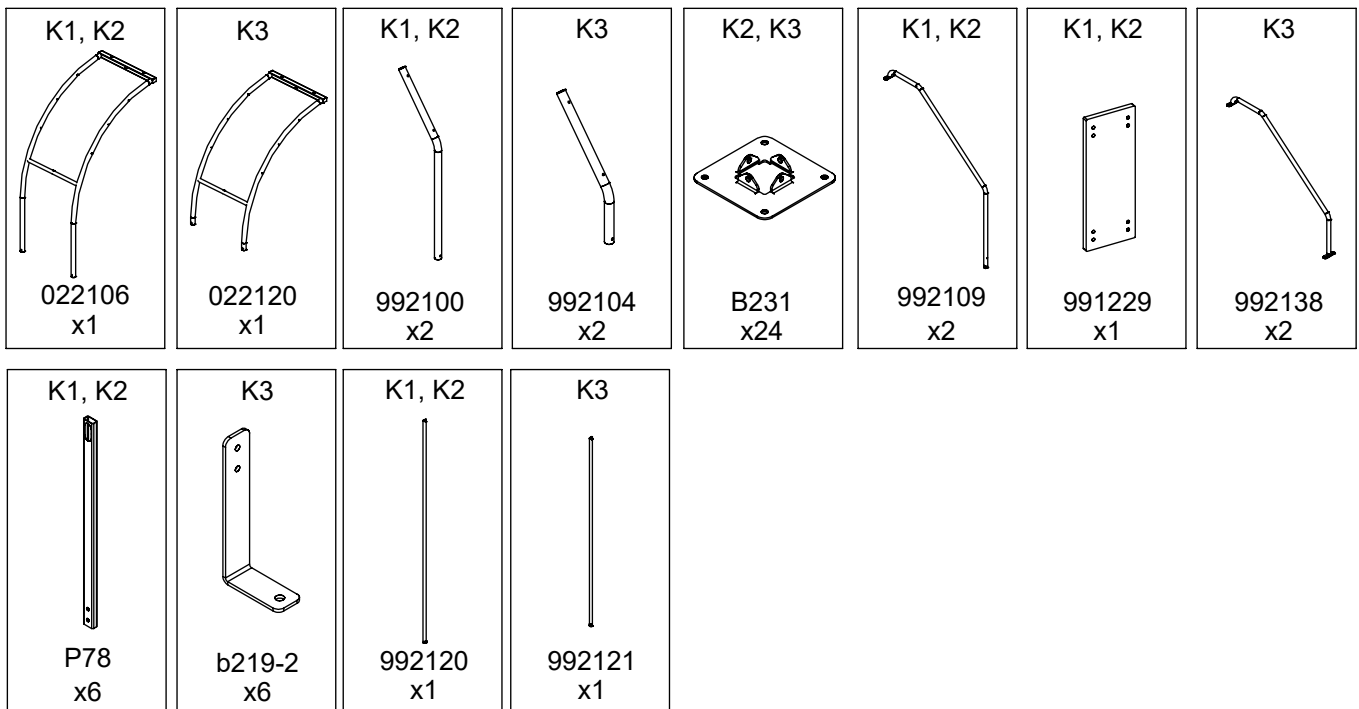
022150 x1 021100 x3 021110 x2 021129 x2 022102 x11 022103 x1 021133 x2 021134 x2 025109 x1 995132 x10 995131 x10



B144 x4 021101 x2 021103 x1 022100 x24 022111 x4 025146 x1 021135 x1 025100 x20 992103 x1 021136 x1 022134 x1 022135 x4

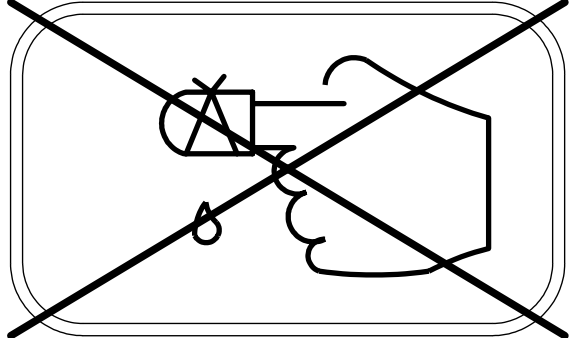
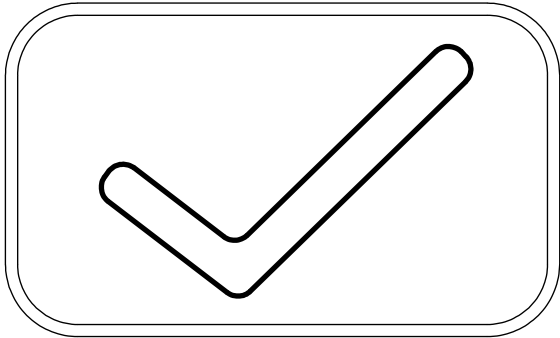
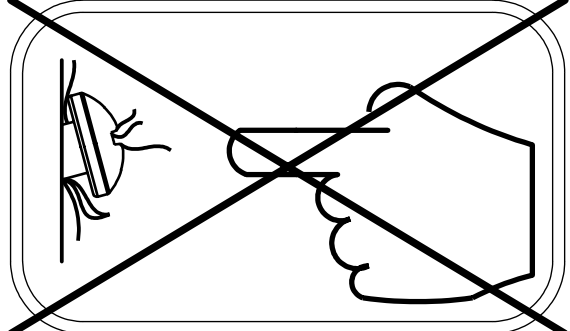
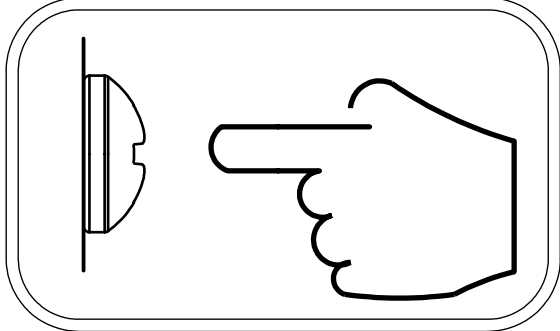
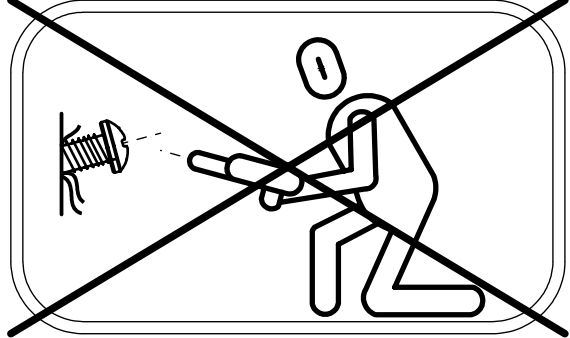
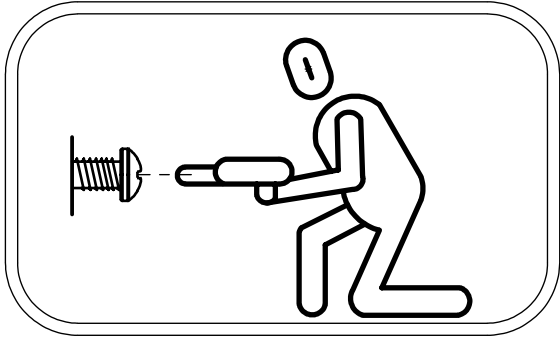


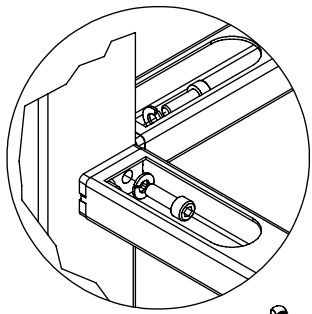
022140 x4 021102 x3 021152 x6 025144 x1



ST/INOX		PLYWOOD / HDPE		HPL	
3x	E34 (K1, K3)	3x	E8 (S1)	3x	E9 (S1)
3x	E35 (K2)	3x	E152 (S6)	3x	E153 (S6)
1x	E44 (K1)	1x	PS21	1x	PH21
1x	E80 (K2)	1x	CE2	1x	CL2
2x	E88 (K2, K3)	1x	E4	1x	E5
1x	E38 (K2, K3)	6x	CE1	6x	CL1
	E37 (K2, K3)	2 x	CE4	2 x	CL4
2x	E51	1x	PS22	1x	PH22
1x	E78	2x	PS1	2x	PH1
4x	E28	3x	PS2	3x	PH2
27x	E1	1x	PS3	1x	PH3
6x	E3	4x	PS31	4x	PH31
1x	E39	3x	CE31	3x	CL31
1x	E239	1x	E6	1x	E7
1x	V001	1x	CE111	1x	CL111

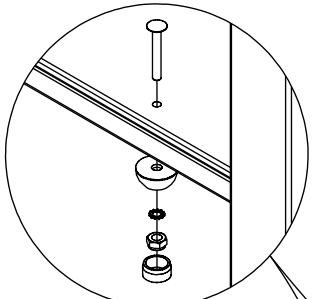
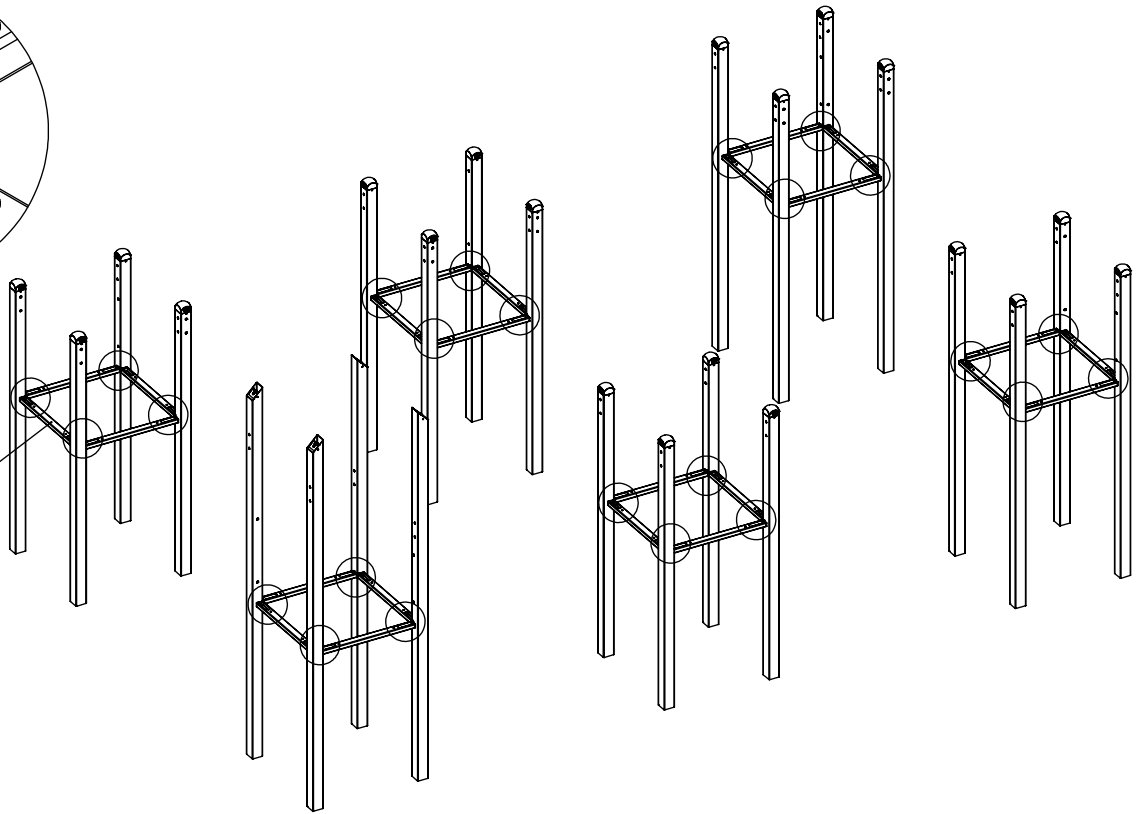




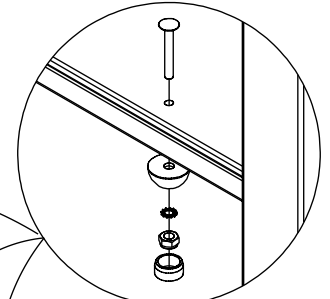


6x **E3**

022100  
24x



PLYWOOD HPL  
2x **PS1** **PH1**



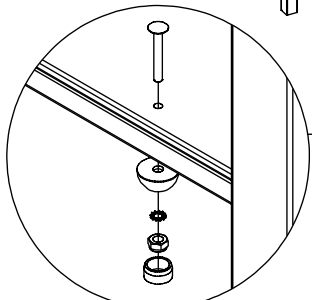
PLYWOOD HPL  
3x **PS2** **PH2**

021102  
1x

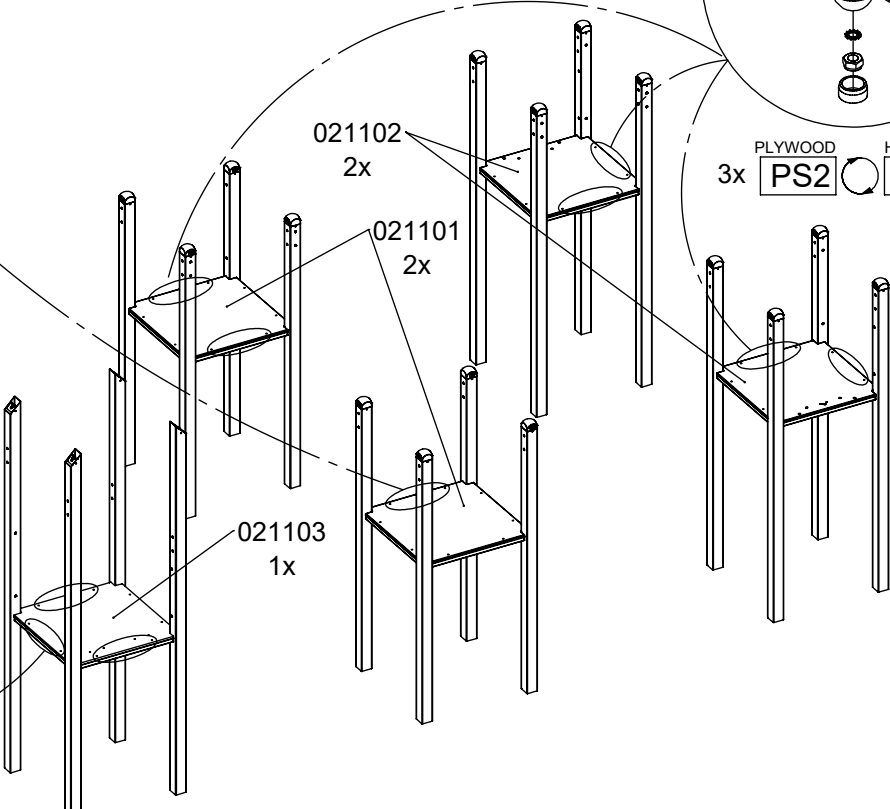
021102  
2x

021101  
2x

021103  
1x



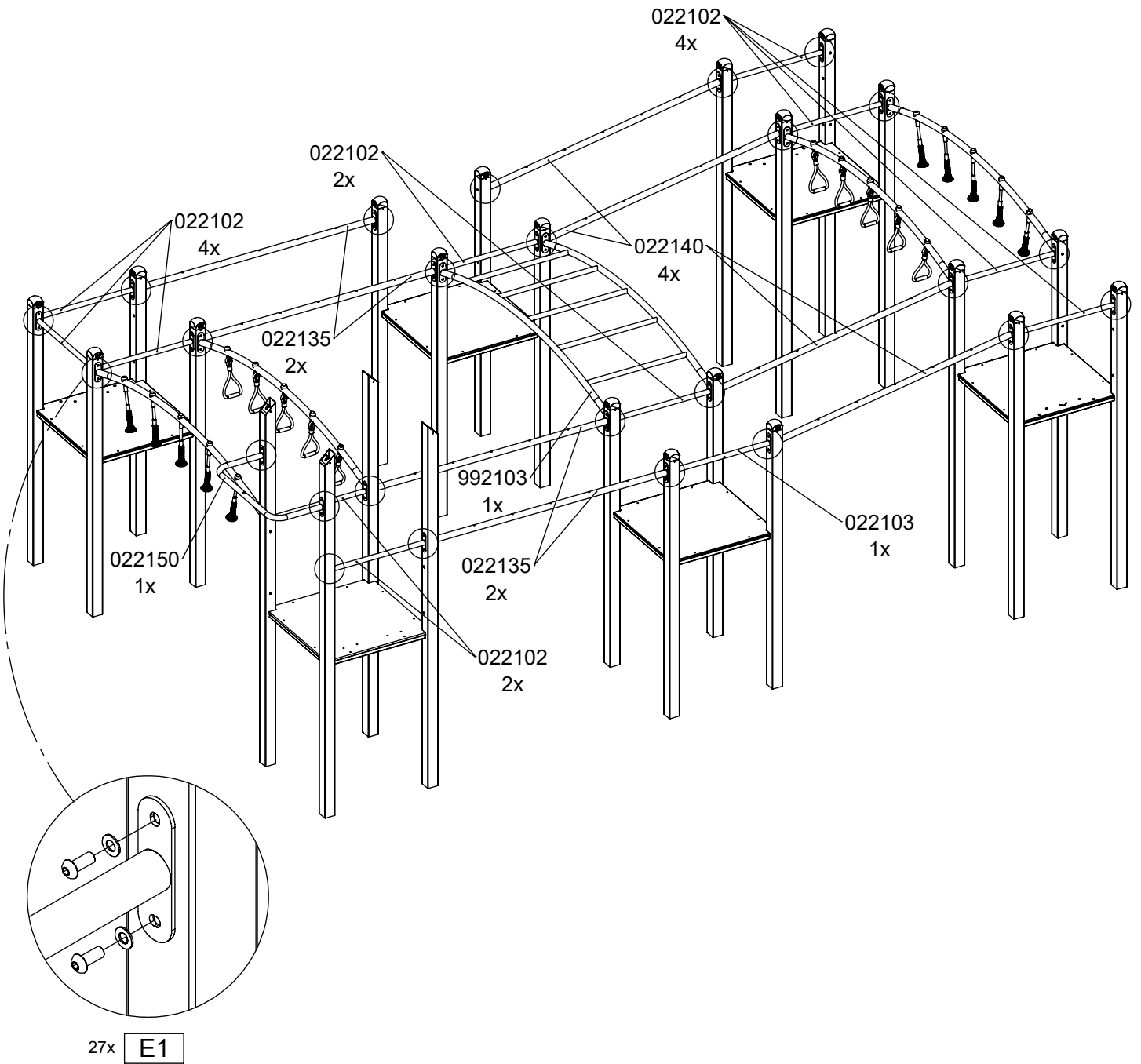
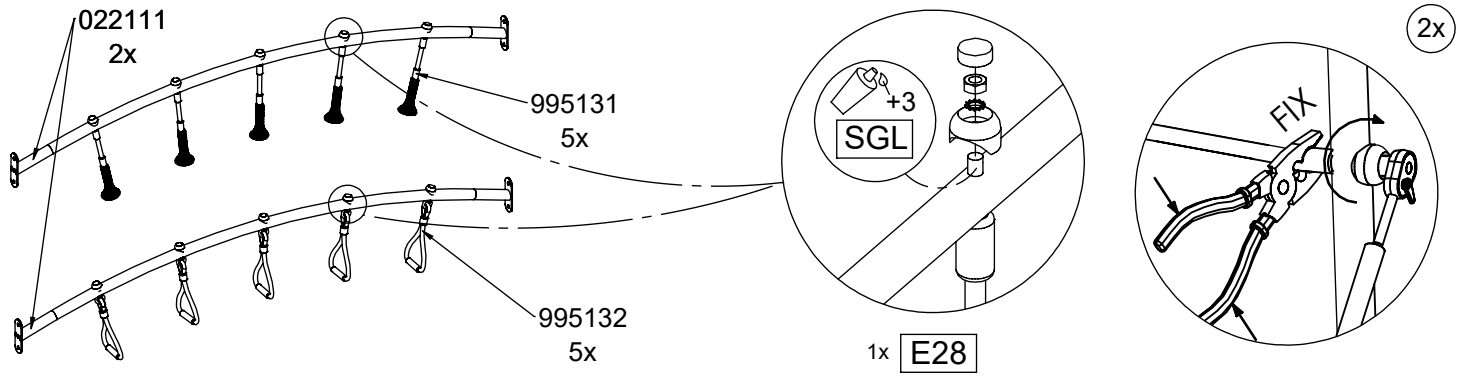
PLYWOOD HPL  
1x **PS3** **PH3**



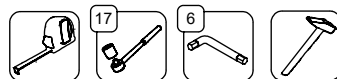
[cm]



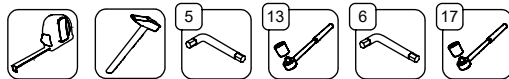
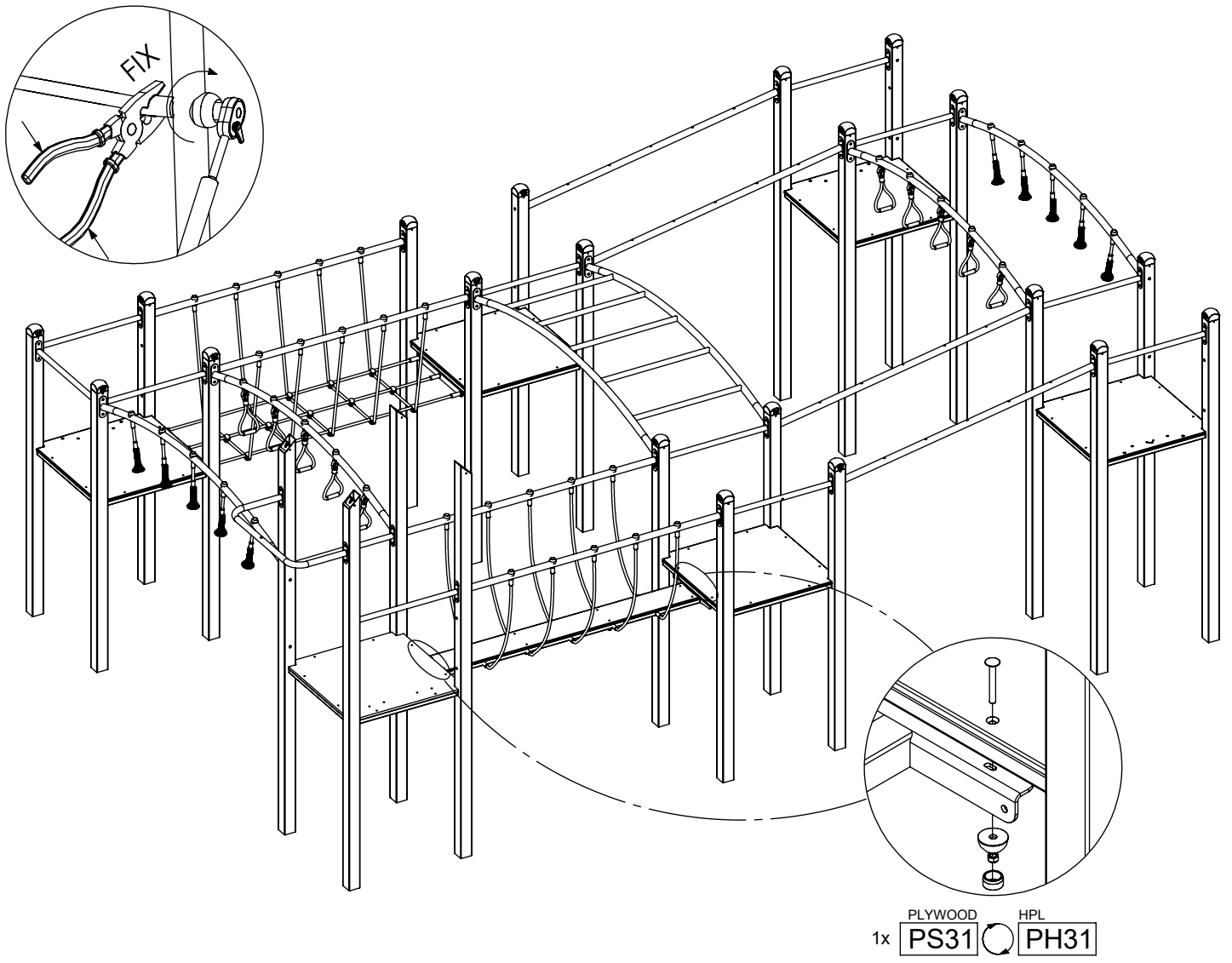
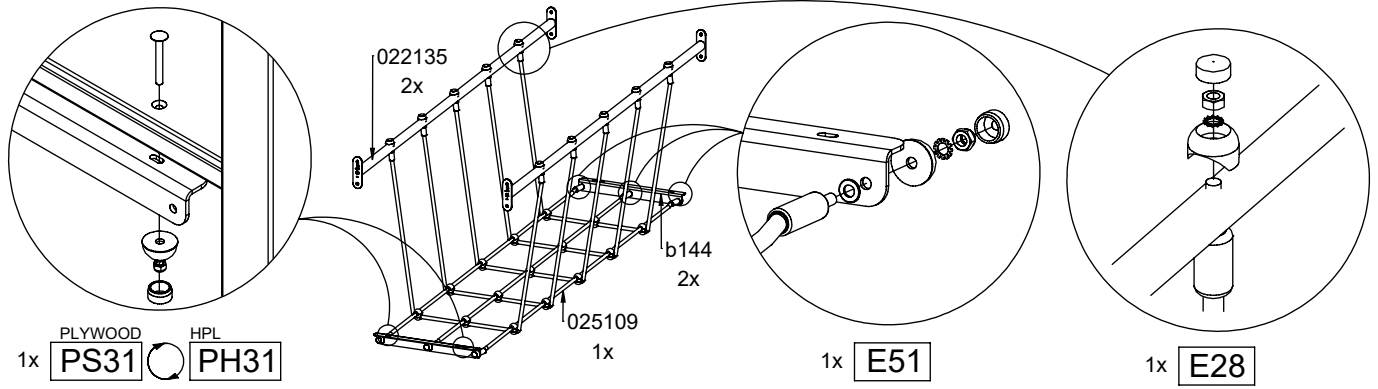
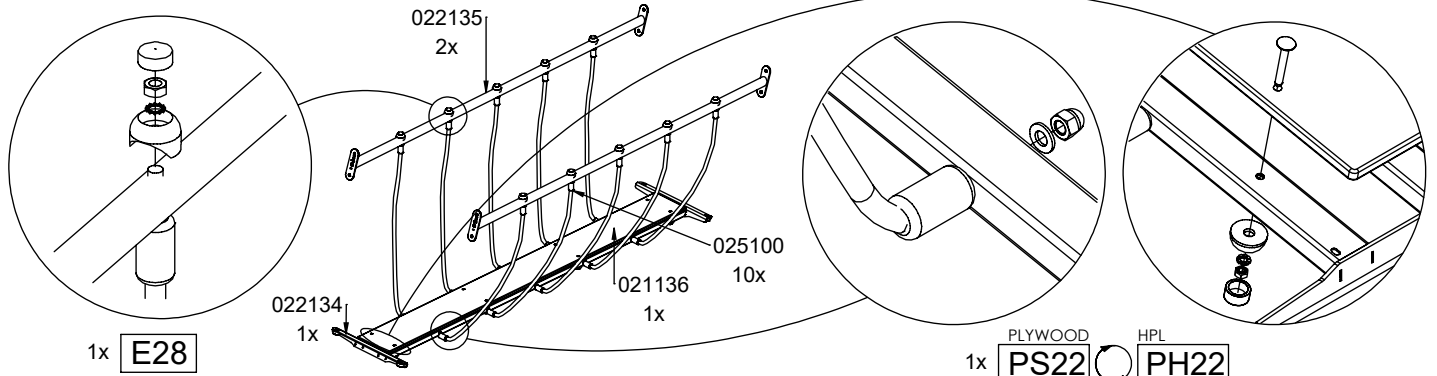
vinci  
play



[cm]

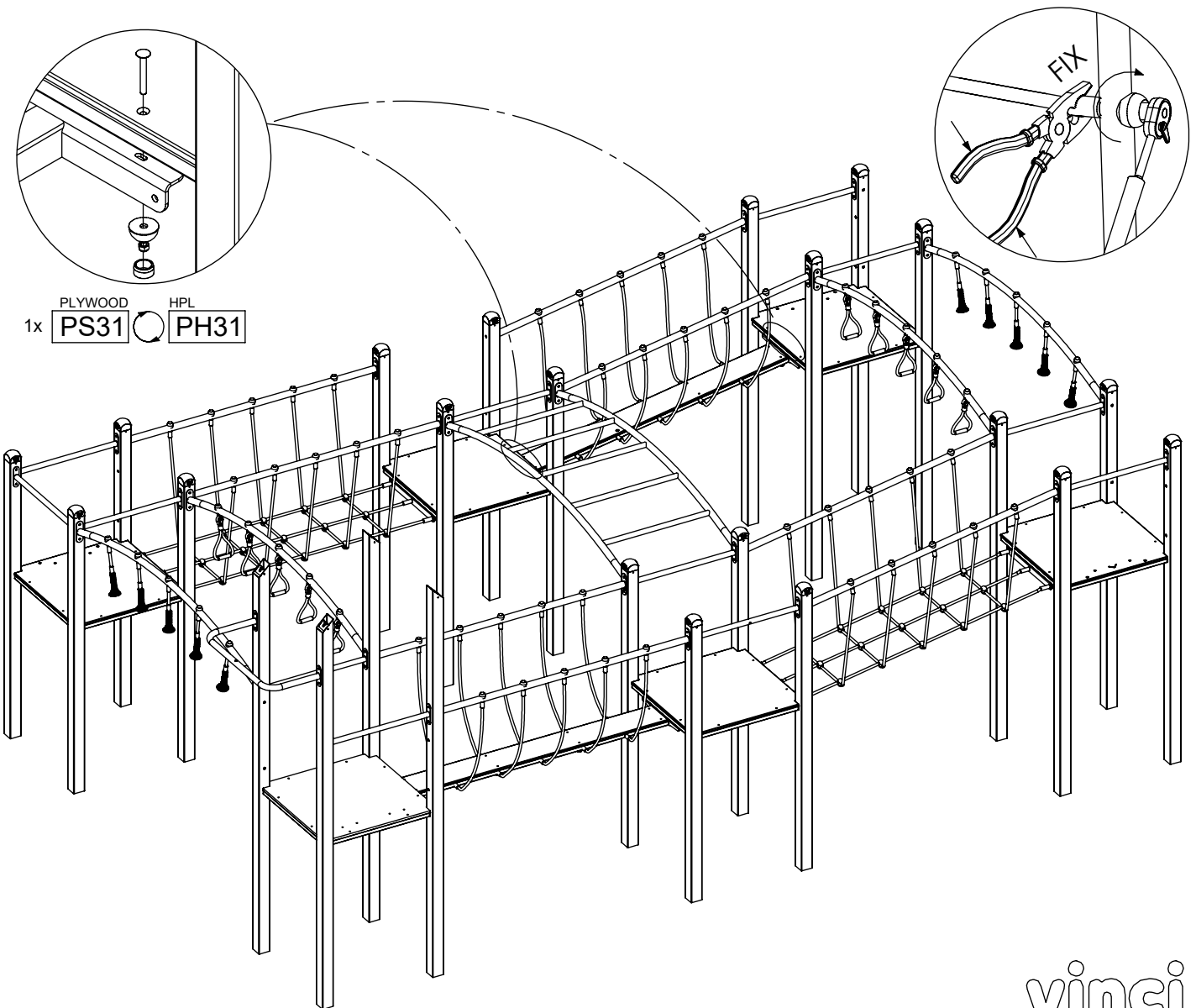
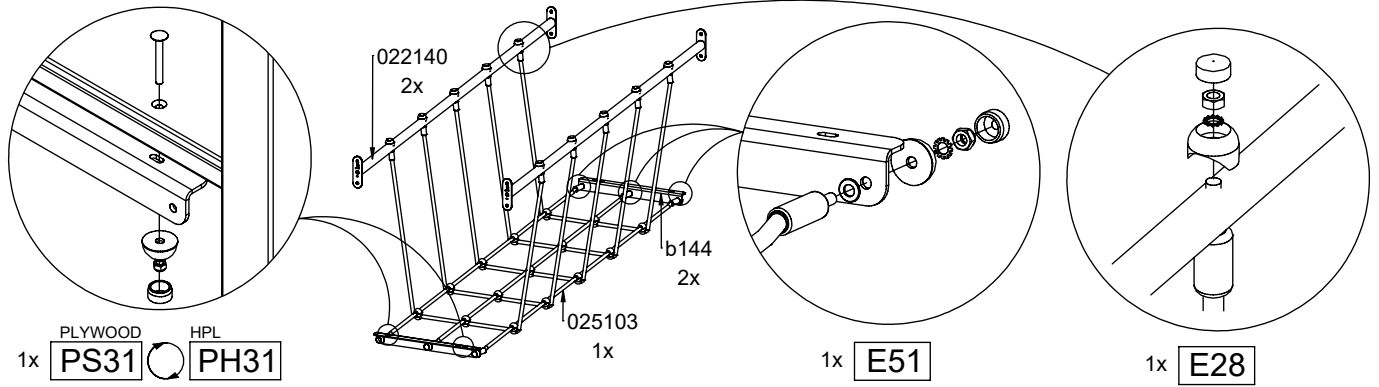
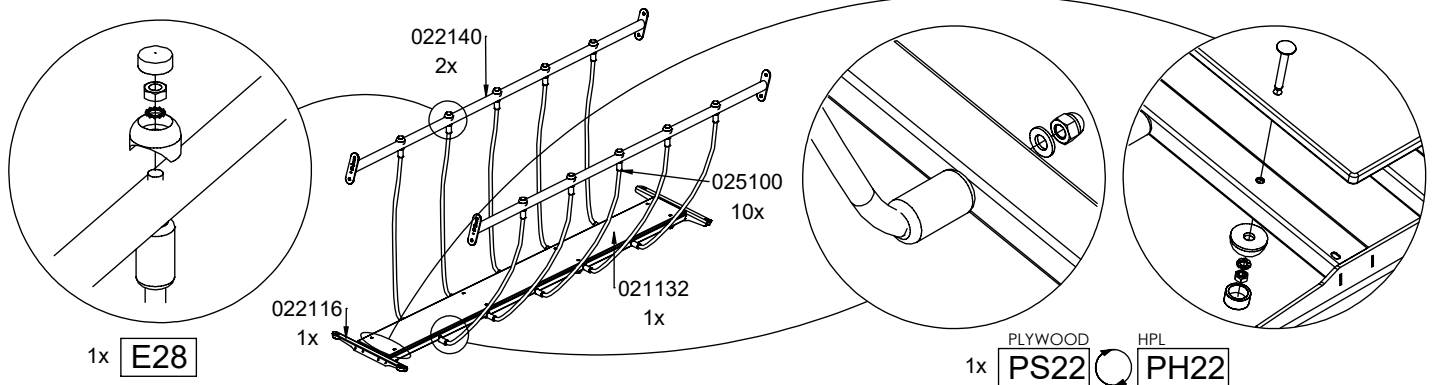


vinci  
play



[cm]

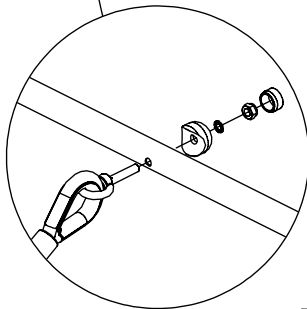
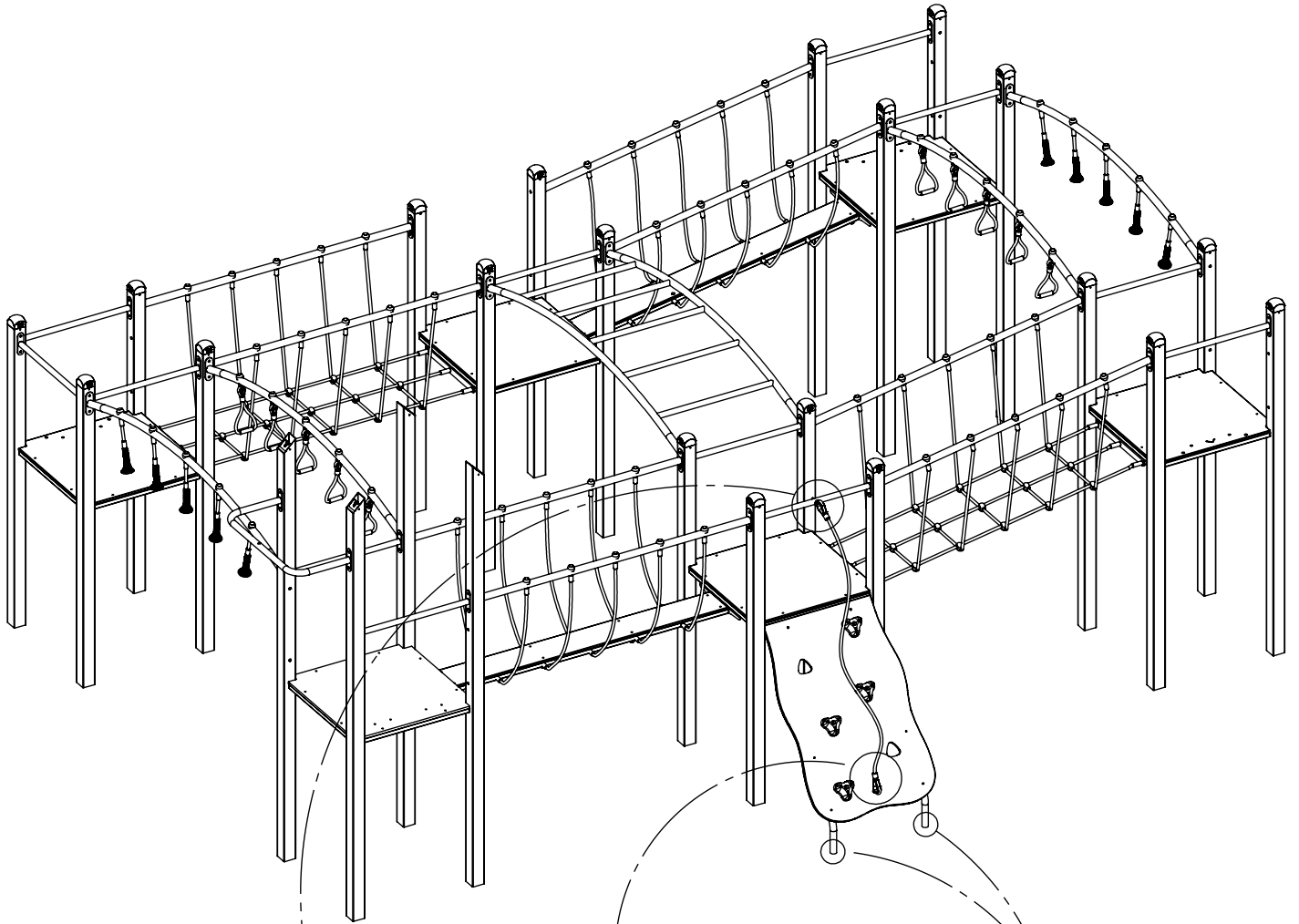
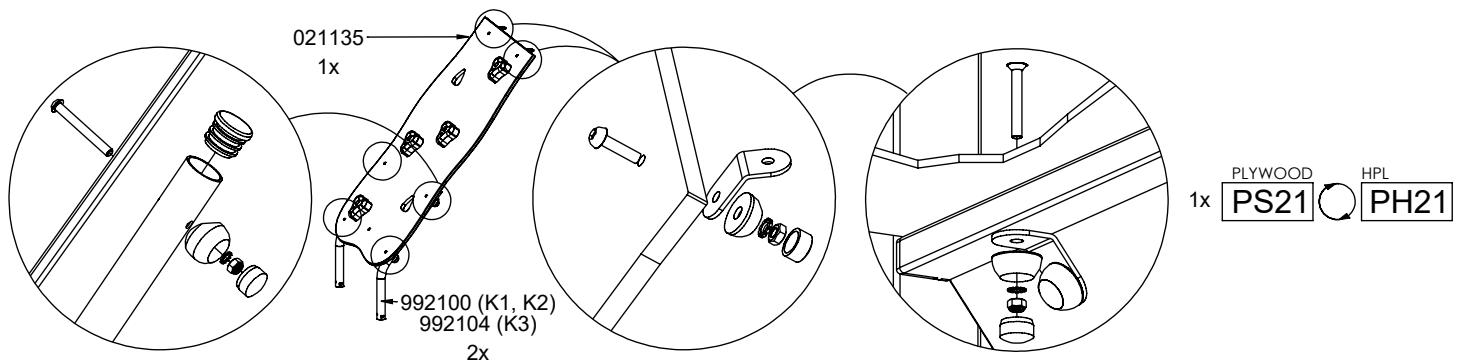
vinci play



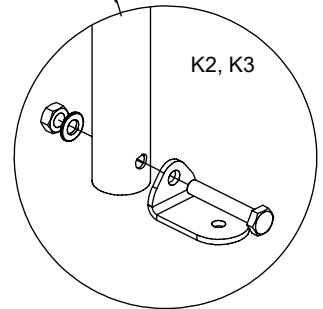
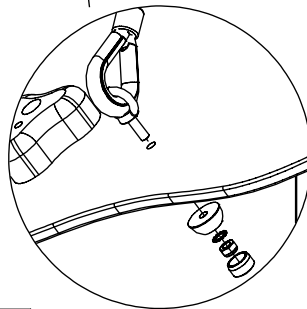
[cm]



vinci  
play



1x **E78**

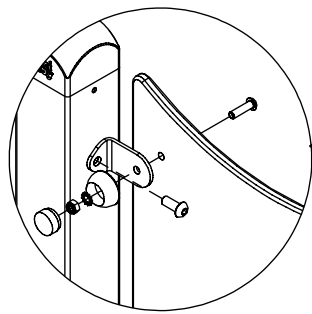


1x **E88**

[cm]

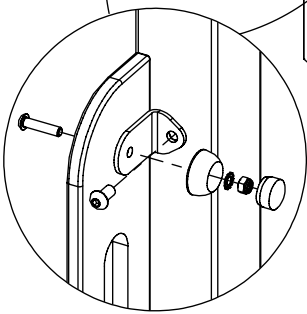
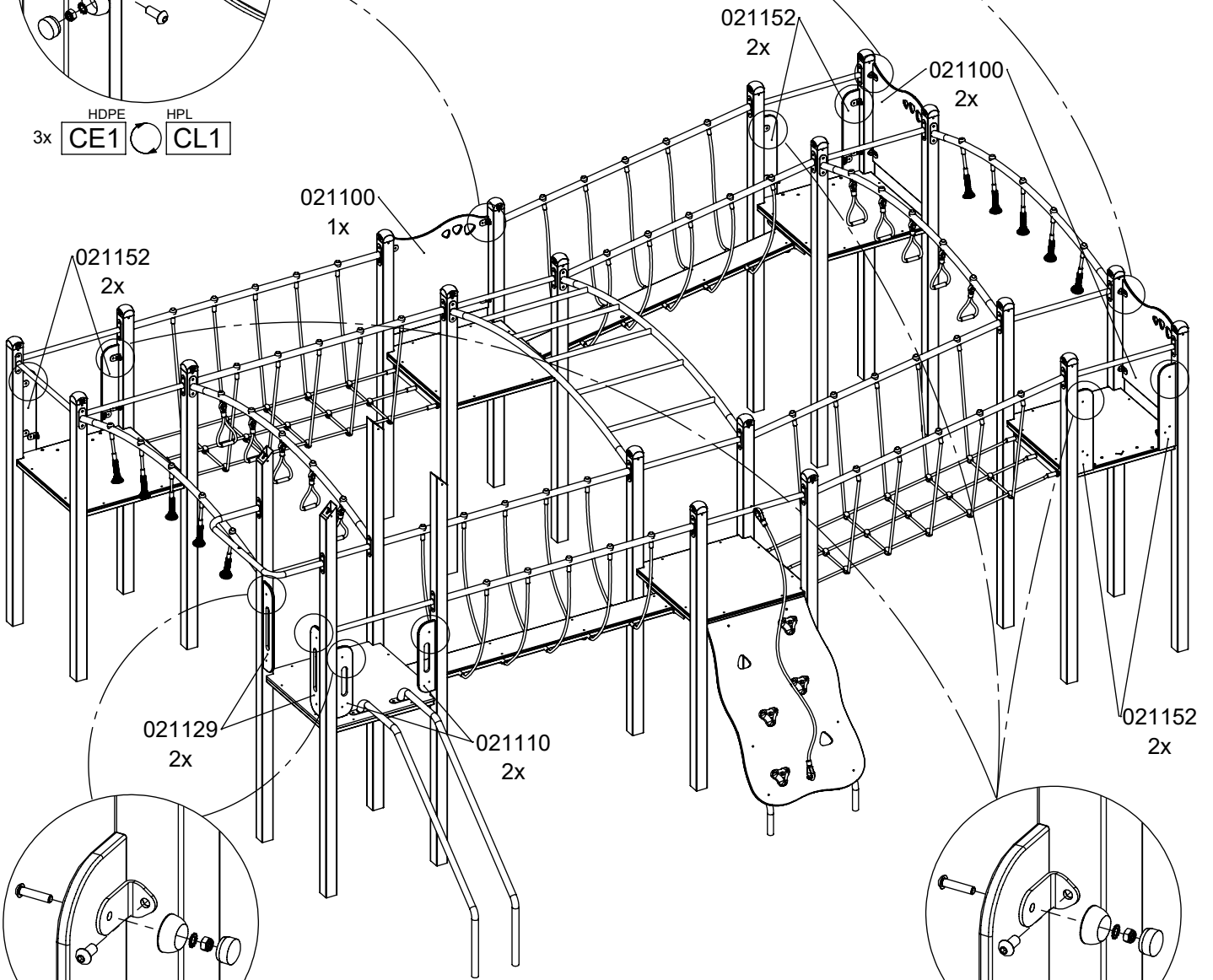


vinci  
play



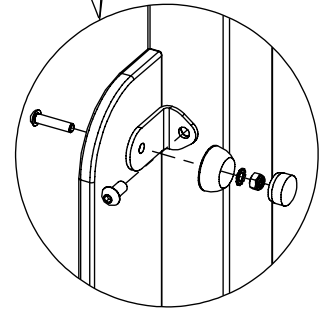
3x 

HDPE	HPL
CE1	CL1



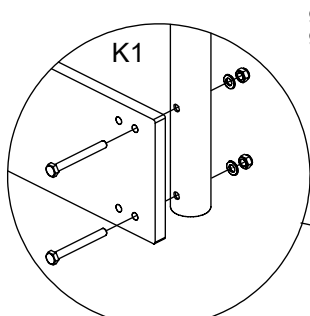
2x 

HDPE	HPL
CE4	CL4



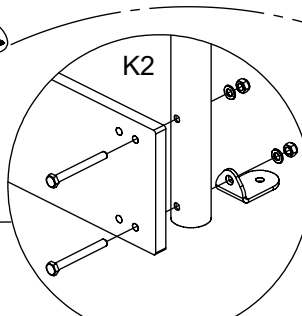
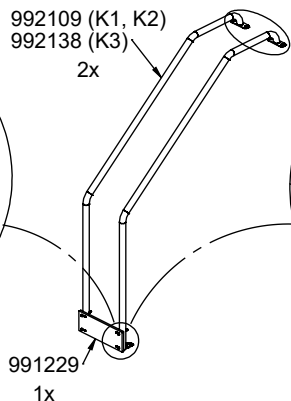
3x 

HDPE	HPL
CE1	CL1



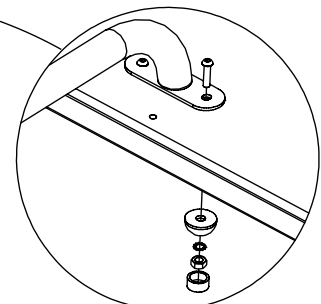
1x 

E44
-----



1x 

E80
-----



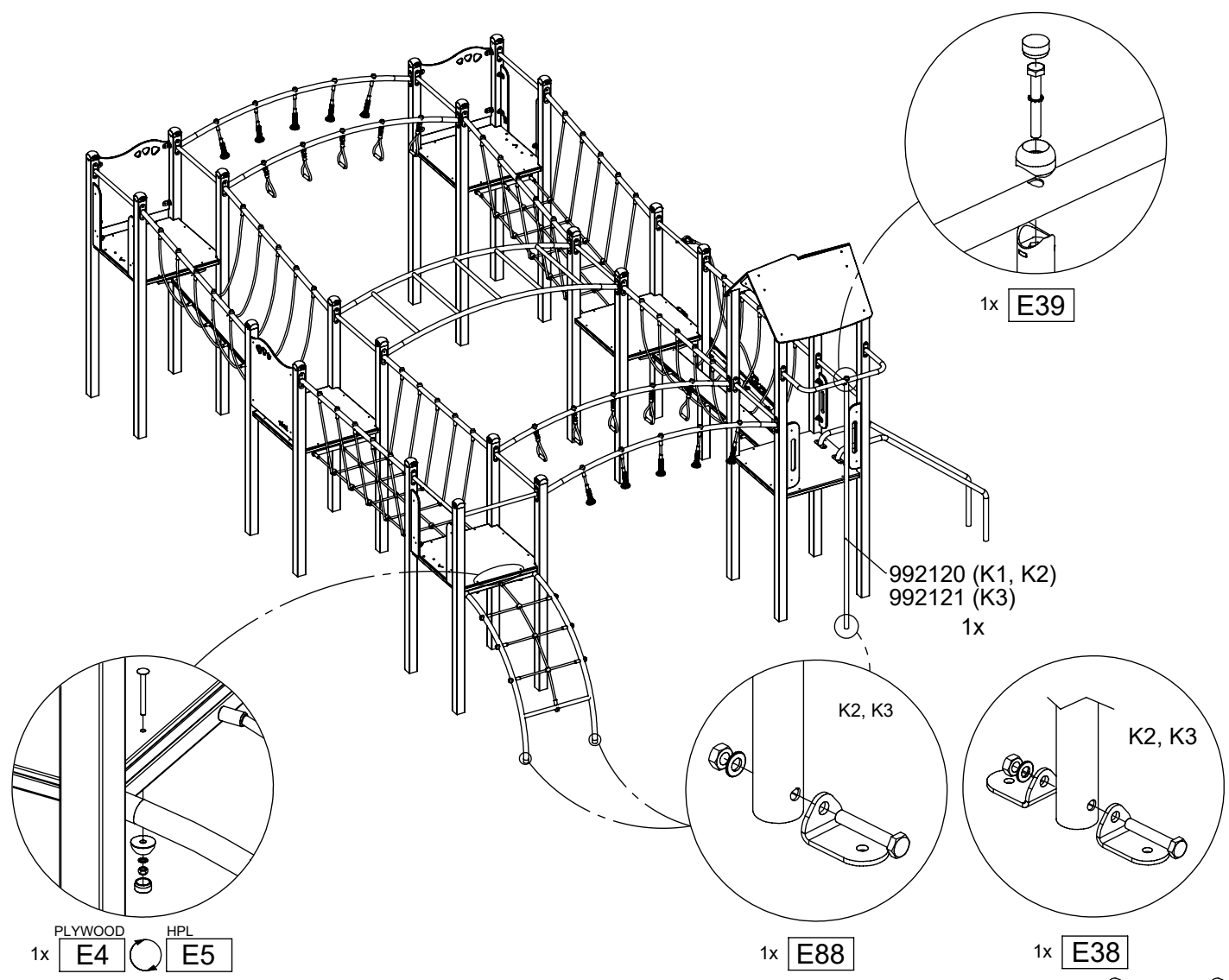
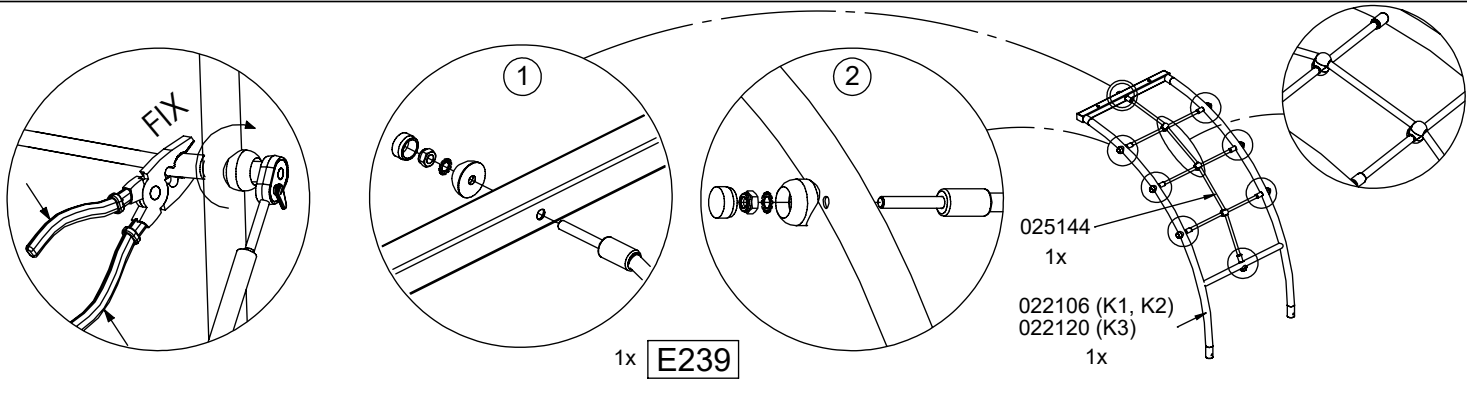
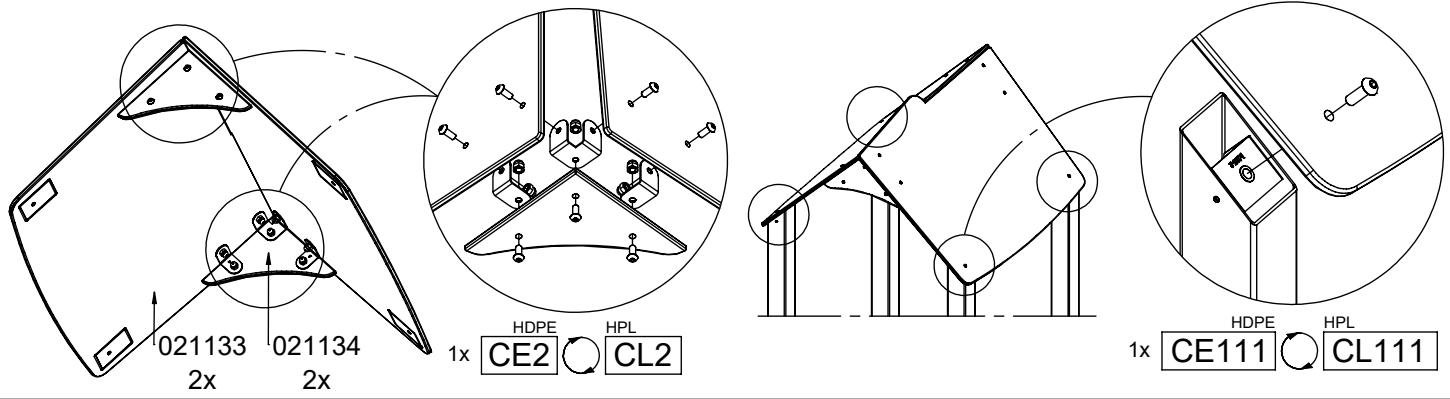
1x 

PLYWOOD	HPL
E6	E7

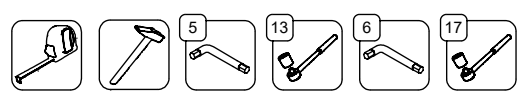
[cm]



vinci  
play

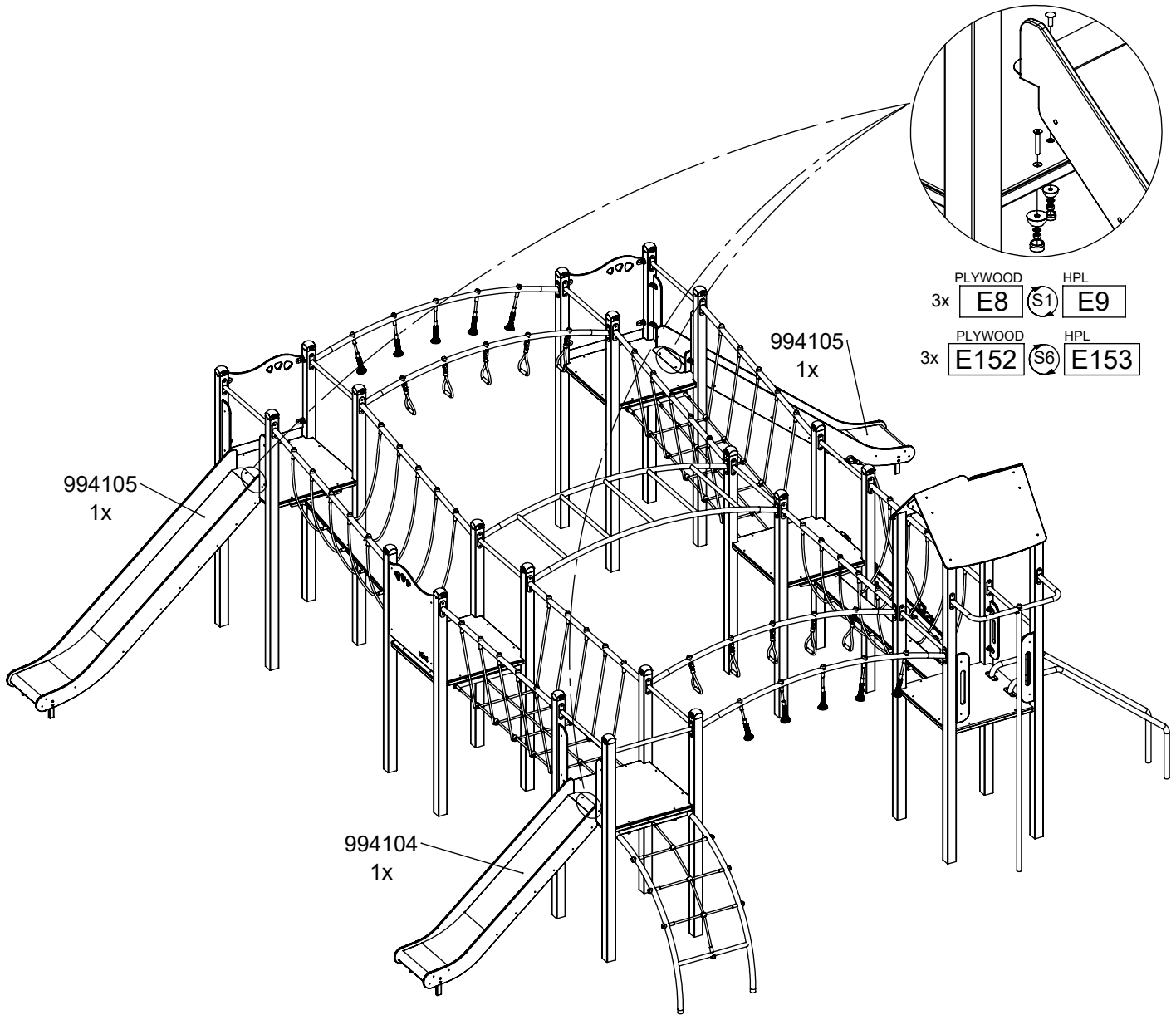


[cm]

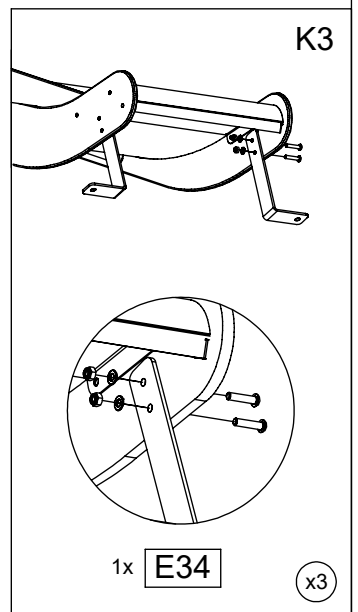
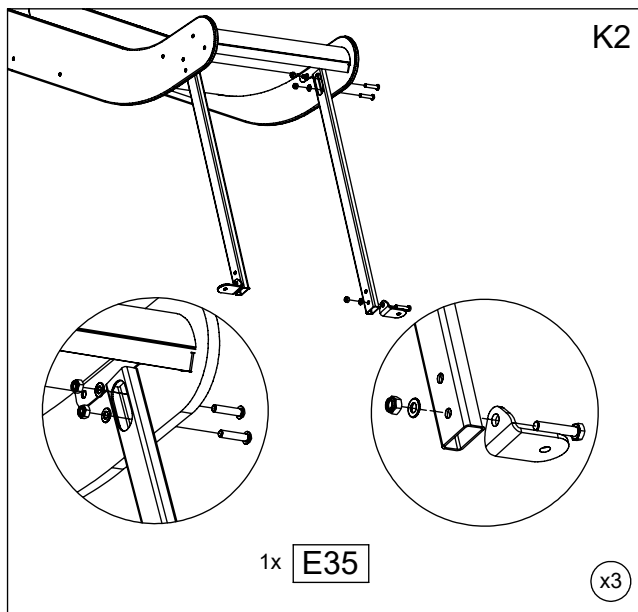
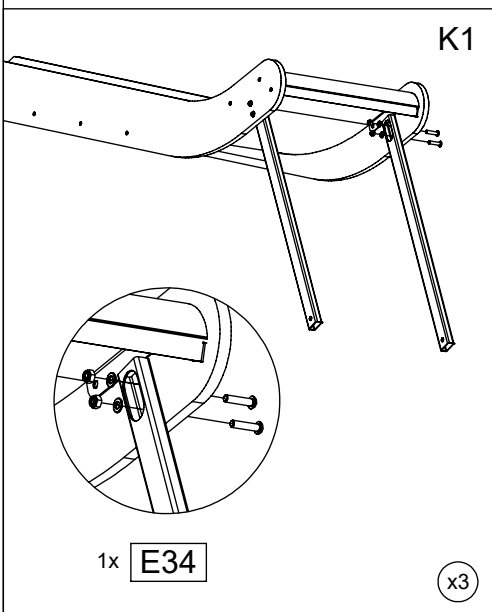


vinci  
play





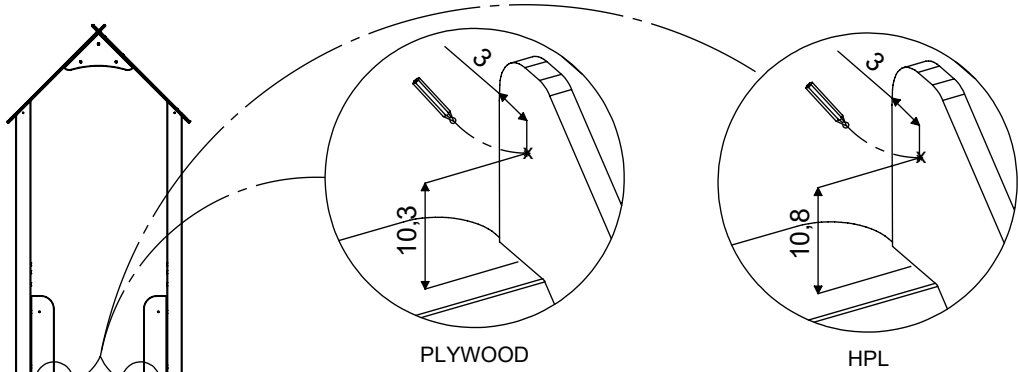
- |    |                  |             |
|----|------------------|-------------|
|    | PLYWOOD          | HPL         |
| 3x | <b>E8</b> (S1)   | <b>E9</b>   |
| 3x | PLYWOOD          | HPL         |
|    | <b>E152</b> (S6) | <b>E153</b> |



[cm]

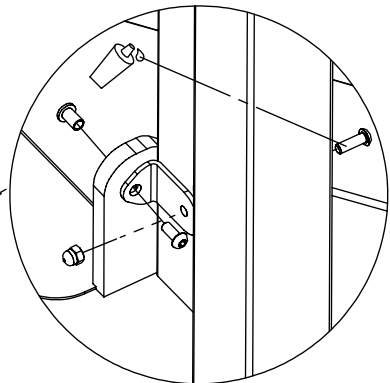
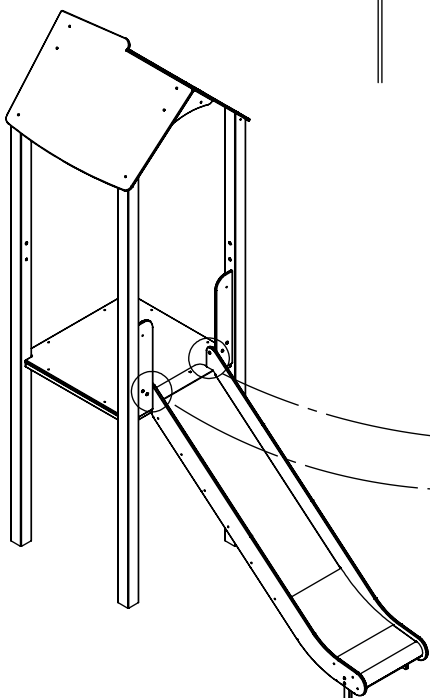
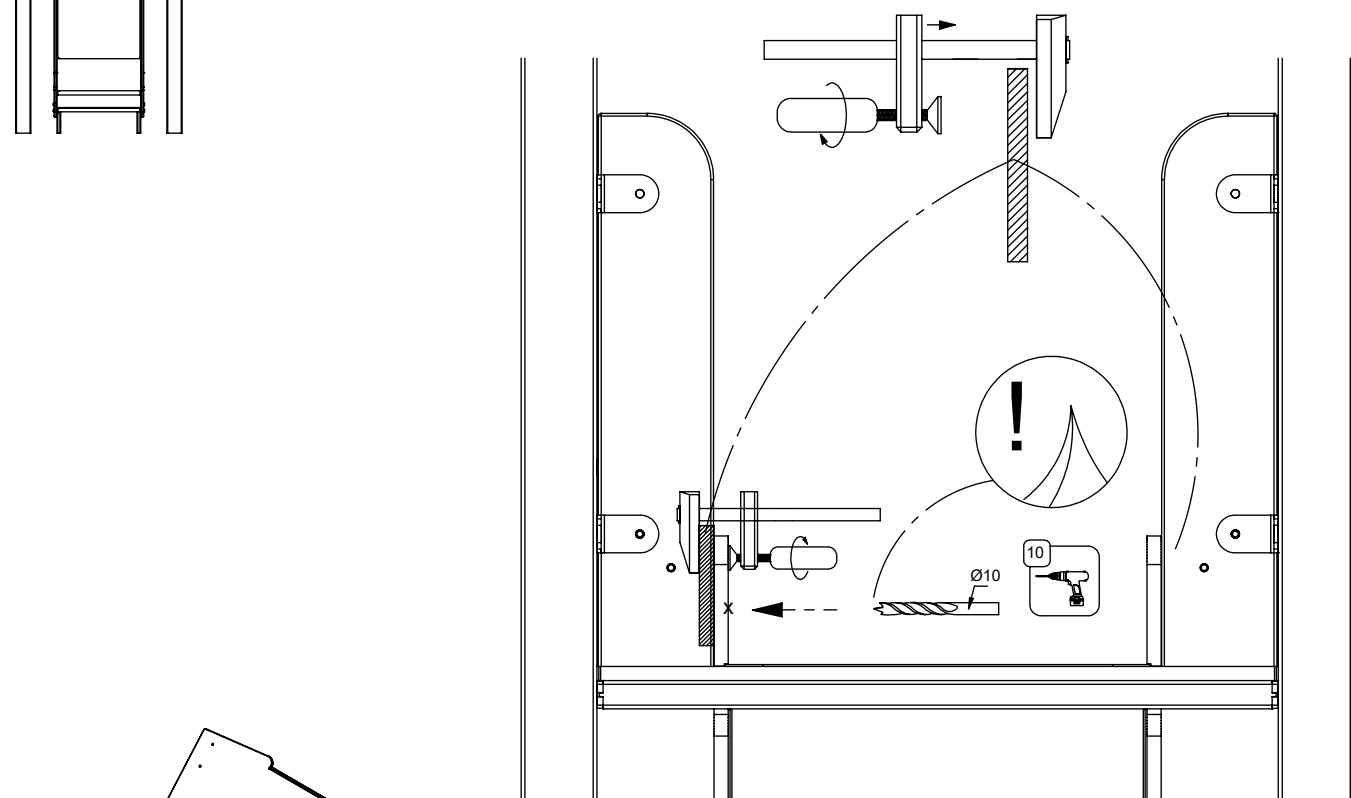


vinci  
play



PLYWOOD

HPL

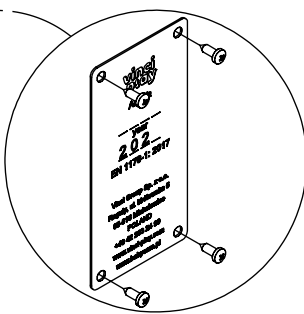
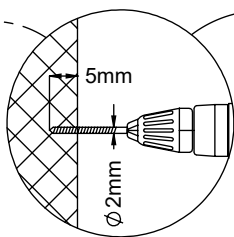
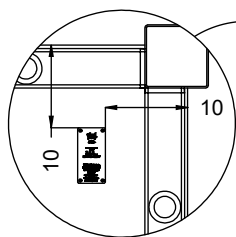
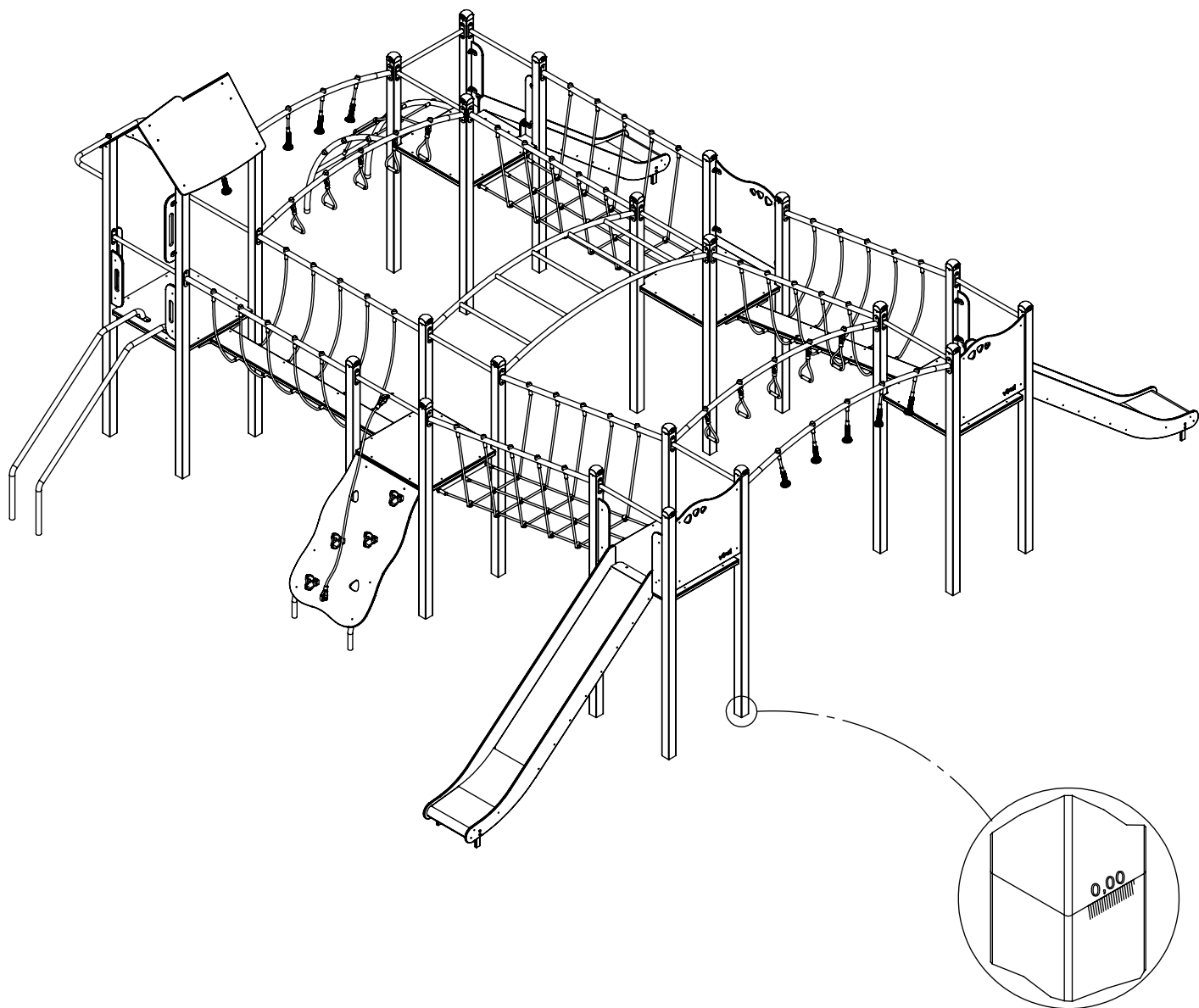


1x 

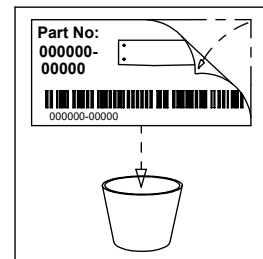
HDPE	HPL
CE31	CL31



[cm]



V001



[cm]



vinci  
play