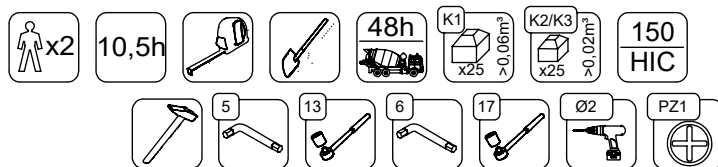
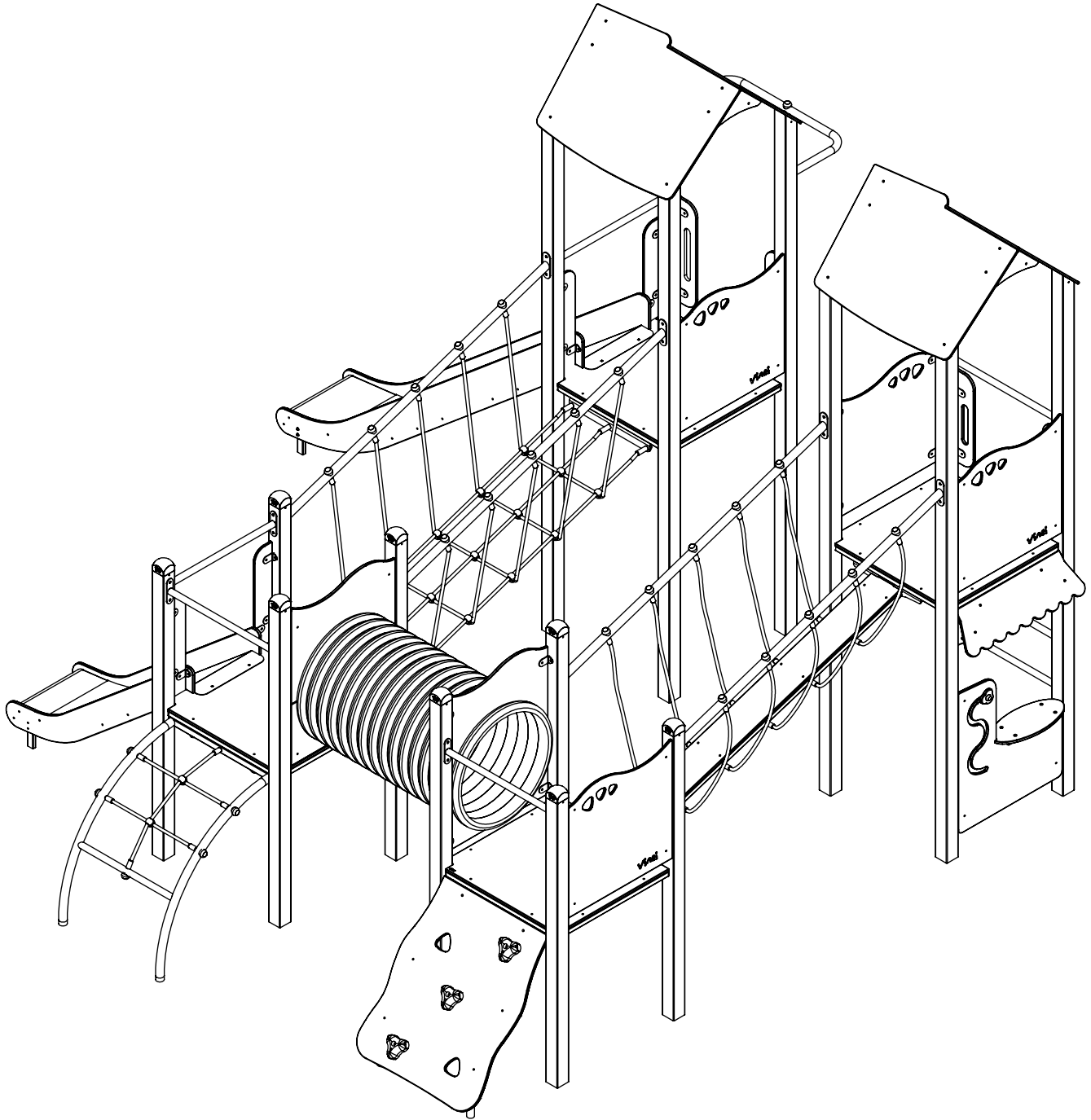
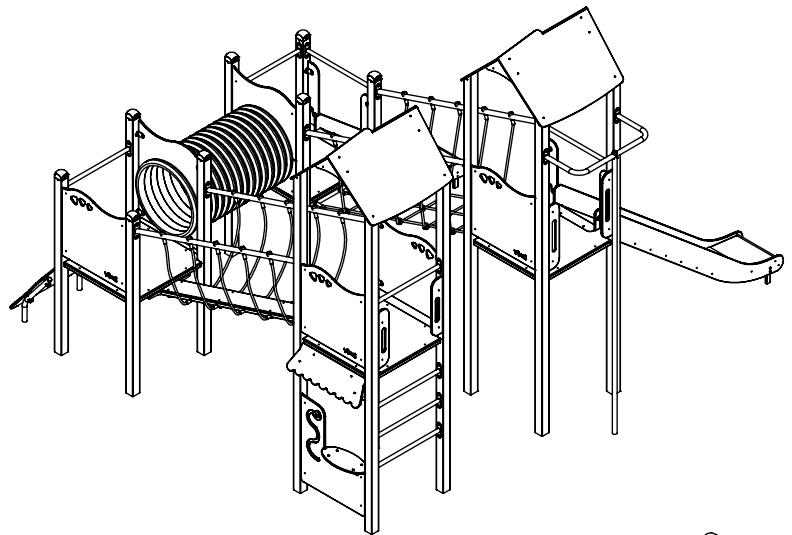
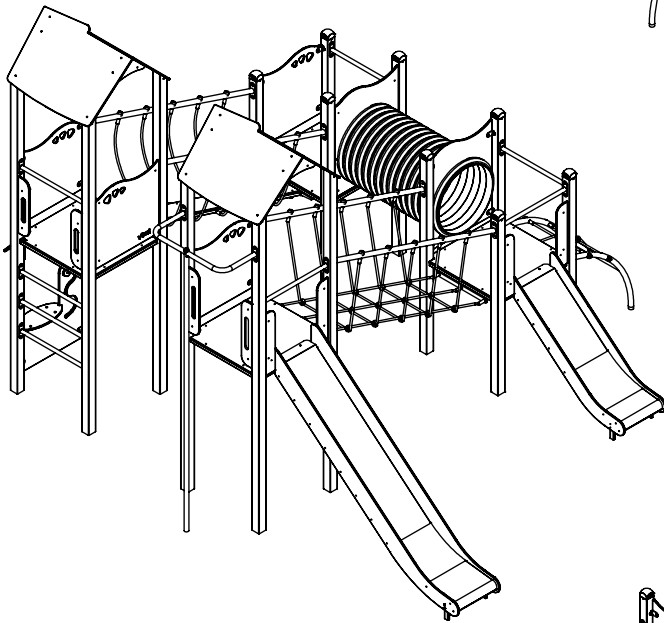
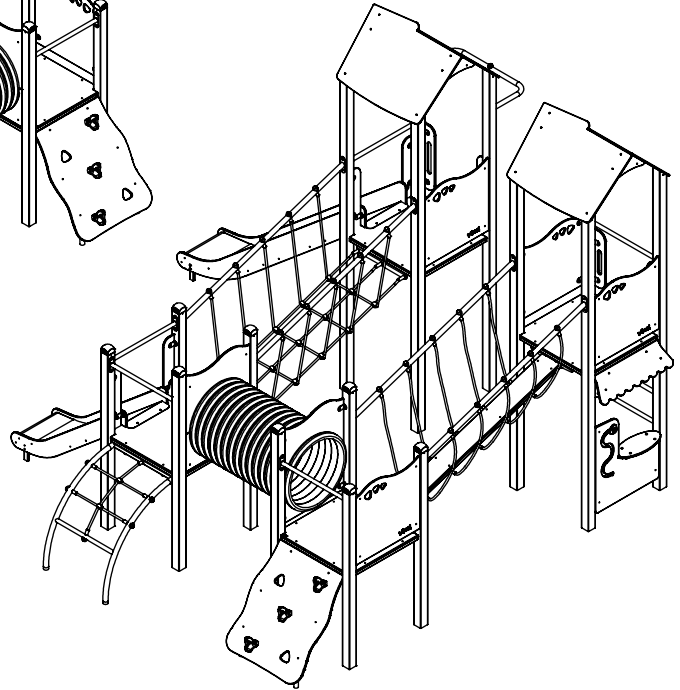
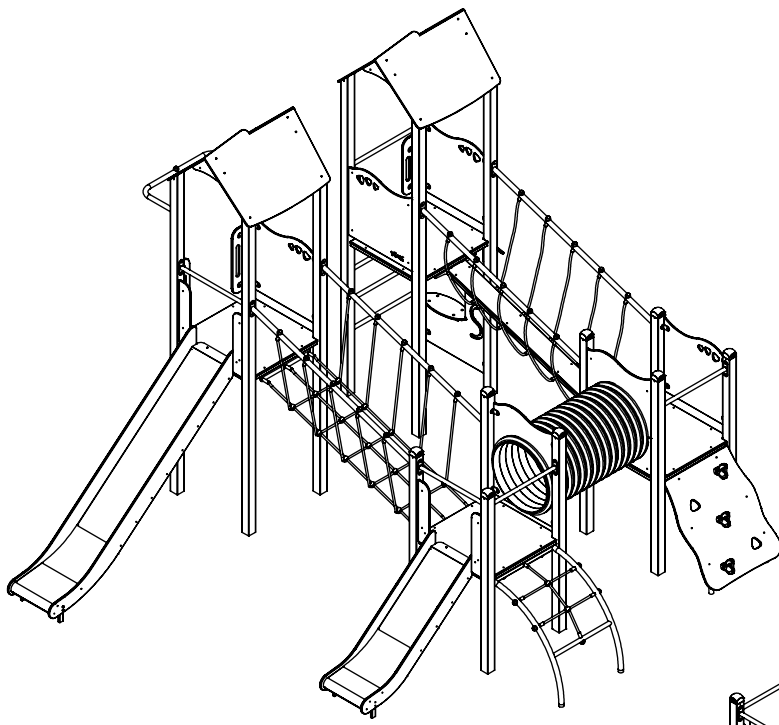


# 0208



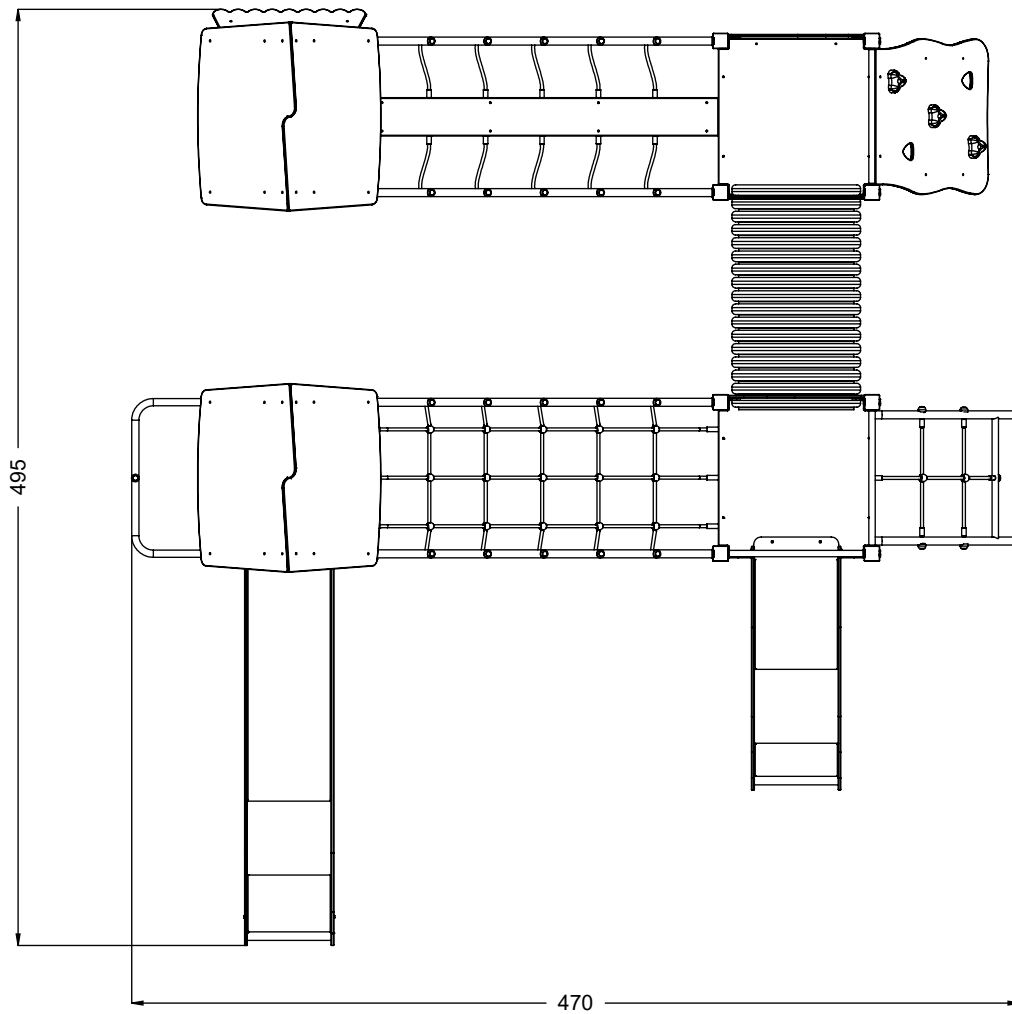
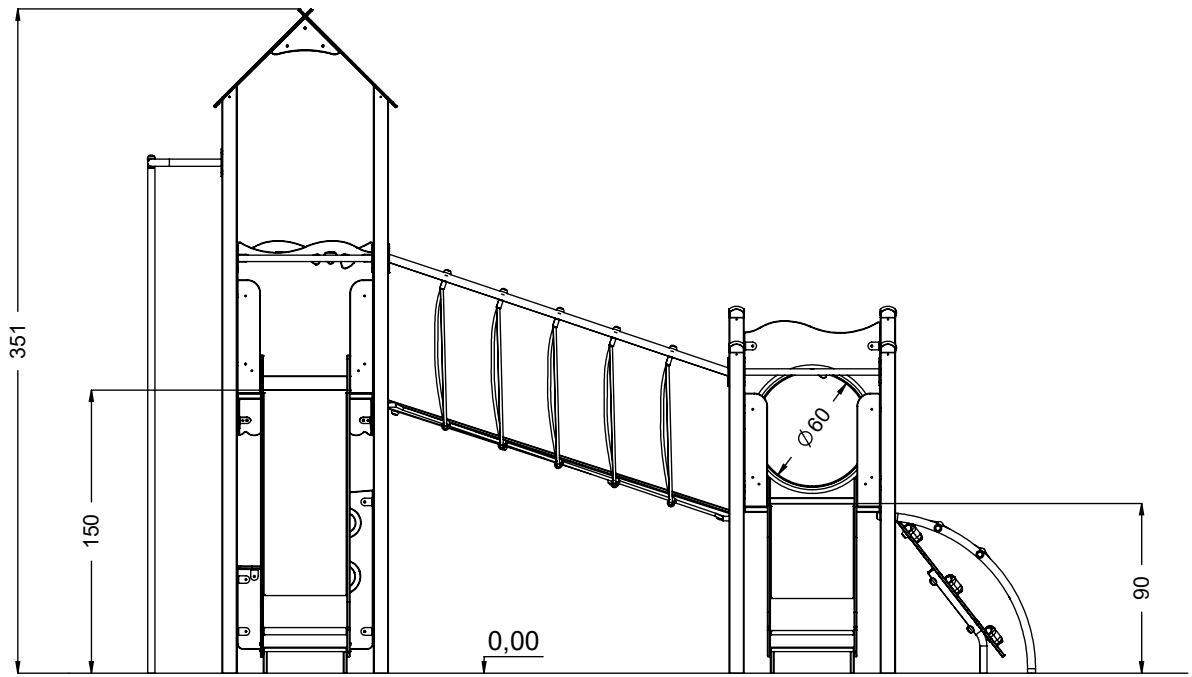
v014  
23.12.2021  
D. P.  
[cm]

vinci  
play



[cm]

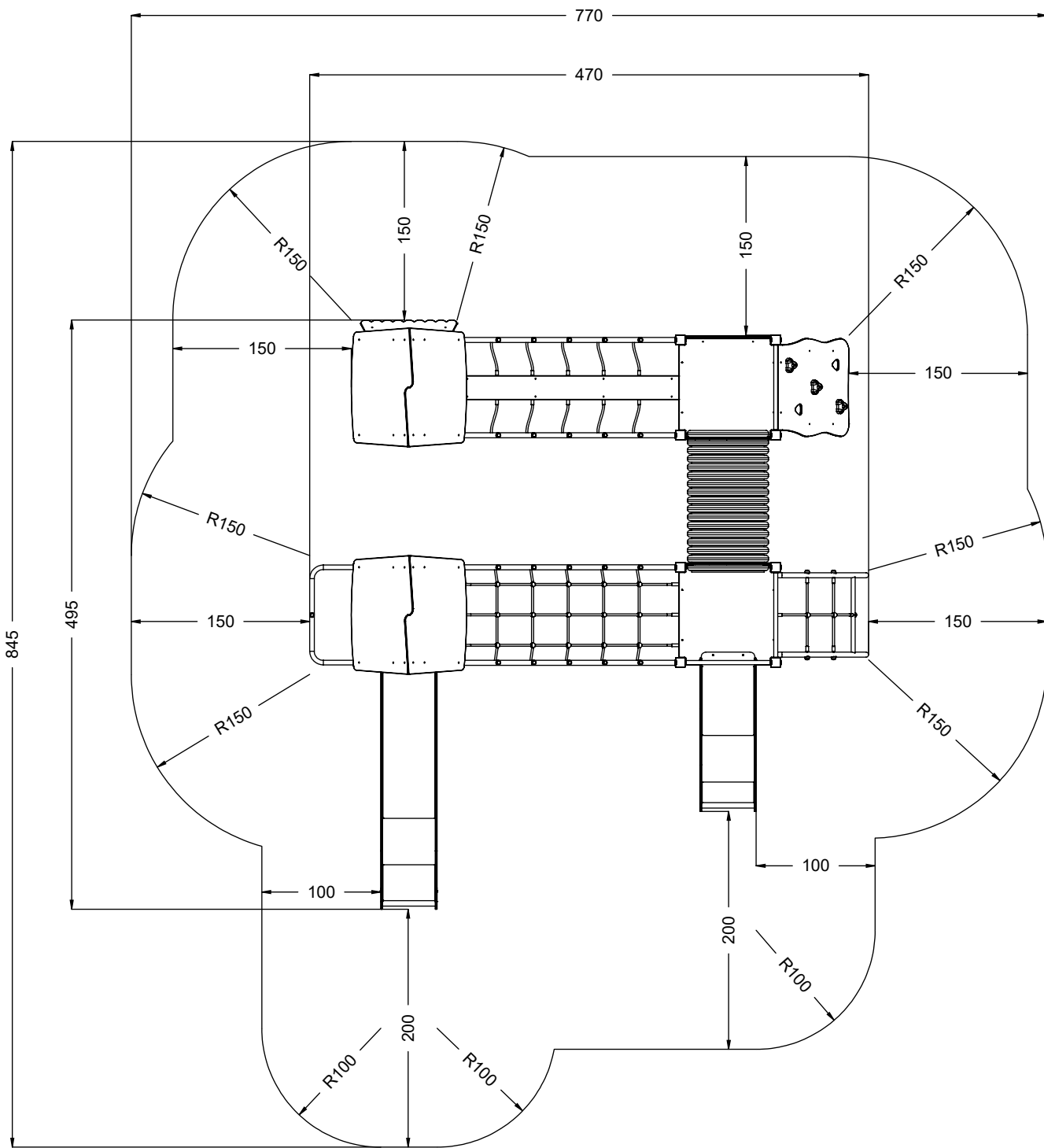
vinci  
play



[cm]



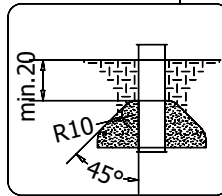
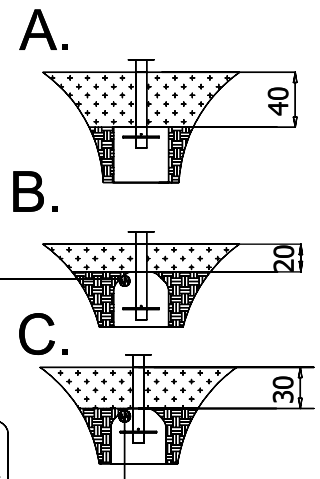
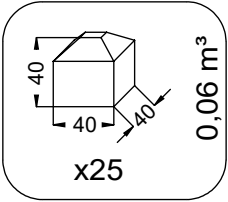
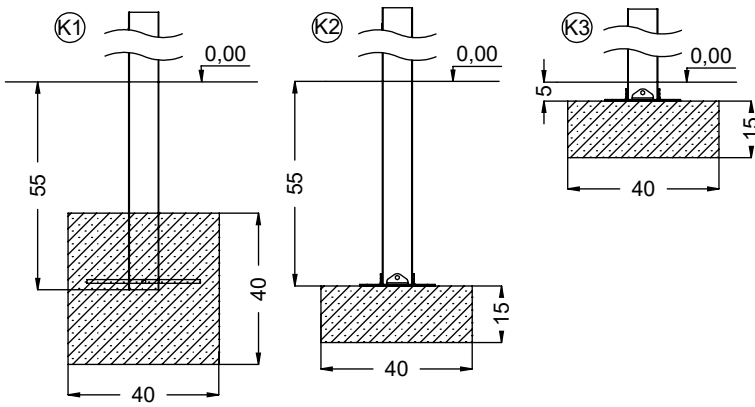
vinci  
play



[cm]



vinci  
play

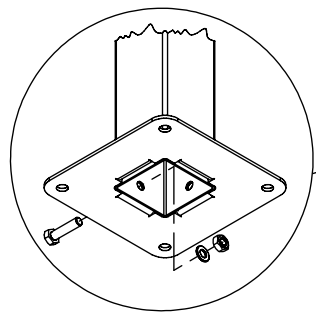
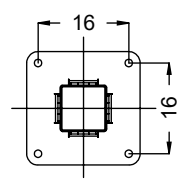


64x M10x120 (K2)  
68x M10x120 (K3)

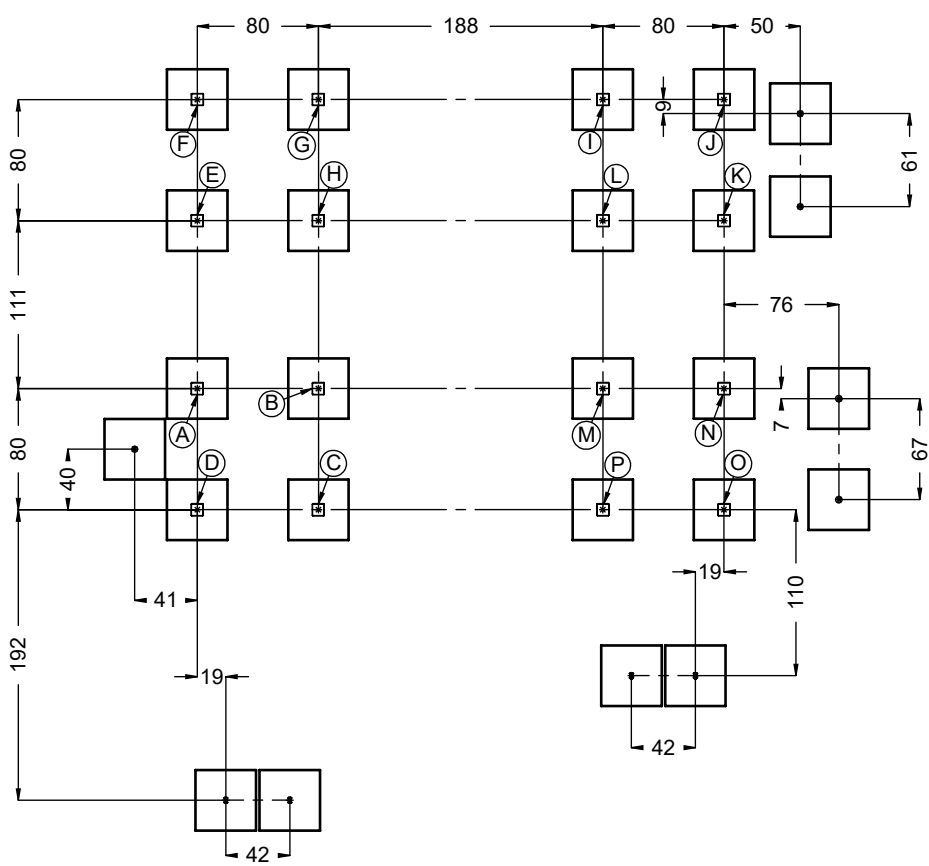
**NOT INCLUDED**

10x M8x120 (K2)  
6x M8x120 (K3)

**NOT INCLUDED**



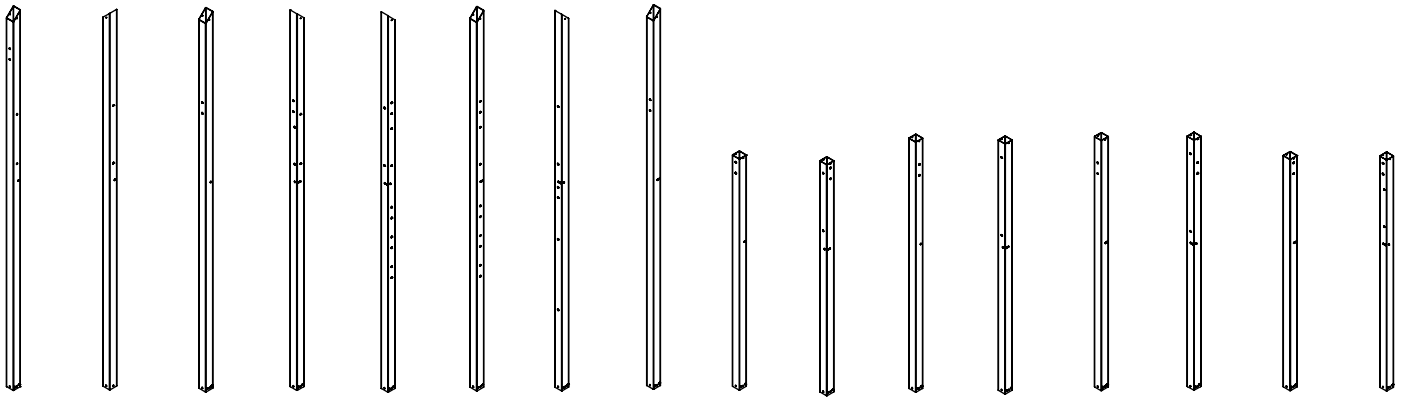
E37



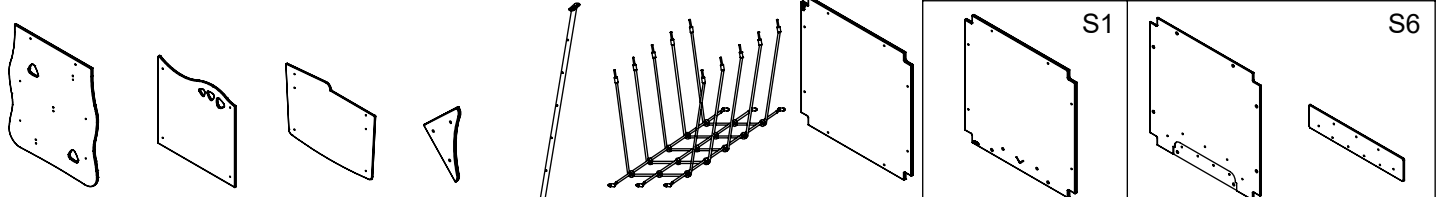
[cm]

x2  
 10,5h  
  
 48h  
 x25 >0,06m³  
 x25 >0,02m³

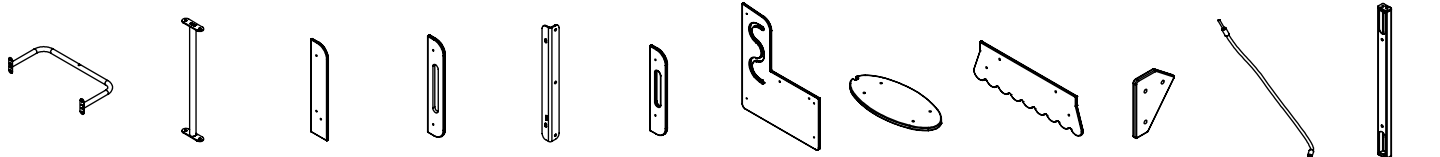
vinci play



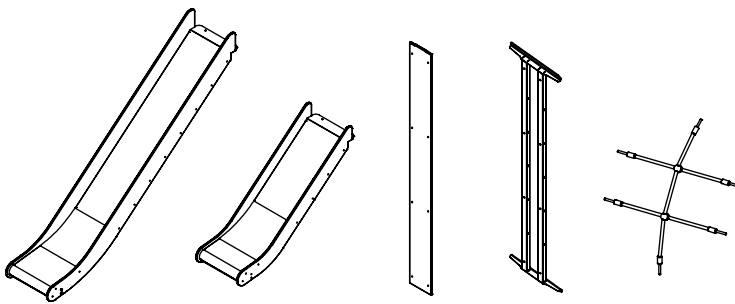
208A x1 208B x1 208C x1 208D x1 208E x1 208F x1 208G x1 208H x1 208I x1 208J x1 208K x1 208L x1 208M x1 208N x1 208O x1 208P x1



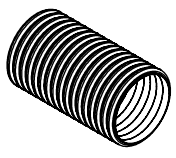
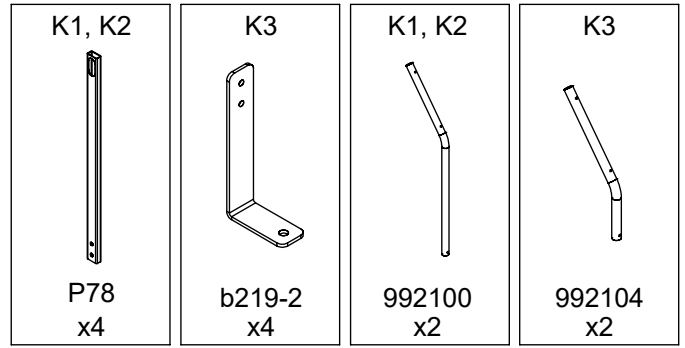
021112 x1 021100 x4 021133 x4 021134 x4 022141 x4 025104 x1 021101 x2 021102 x2 021190 x2 021200 x2



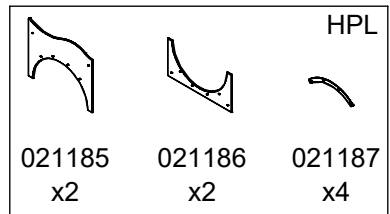
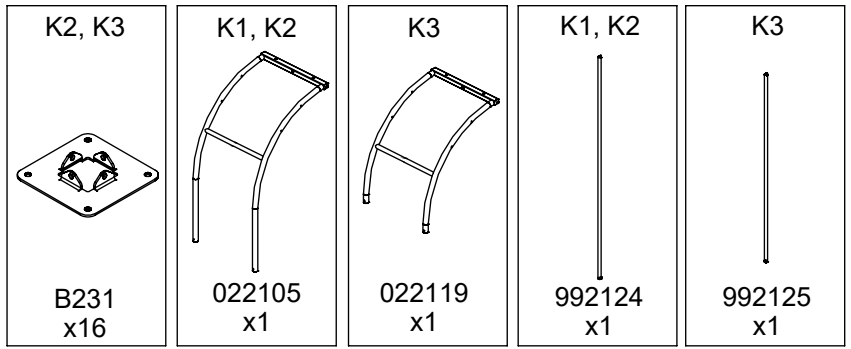
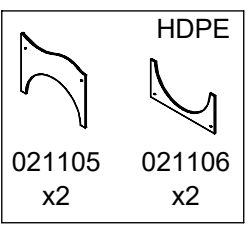
022150 x1 022102 x8 021152 x4 021129 x2 b144 x2 021110 x2 021119 x1 021120 x1 021121 x1 021153 x2 025100 x10 022100 x16



994105 x1 994103 x1 021130 x1 022113 x1 025106 x1



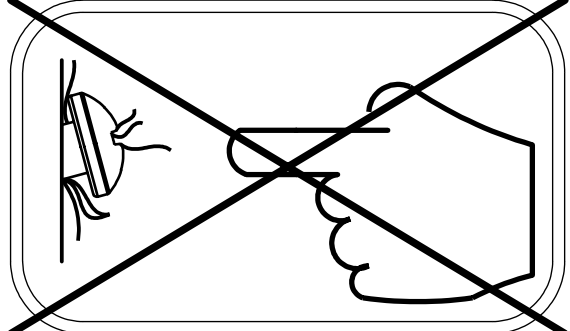
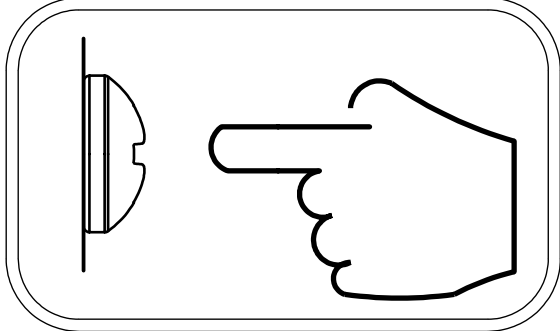
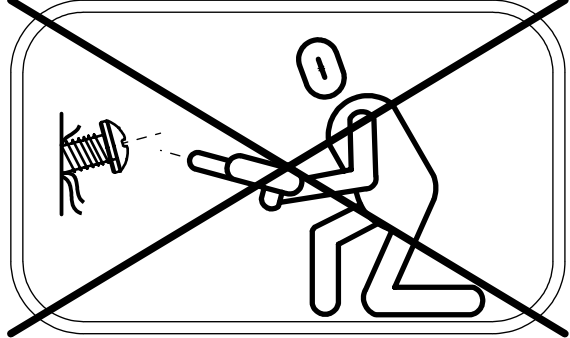
996104 x1



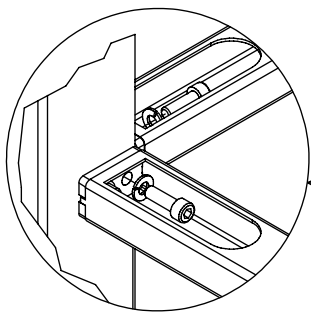
[cm]

vinci play

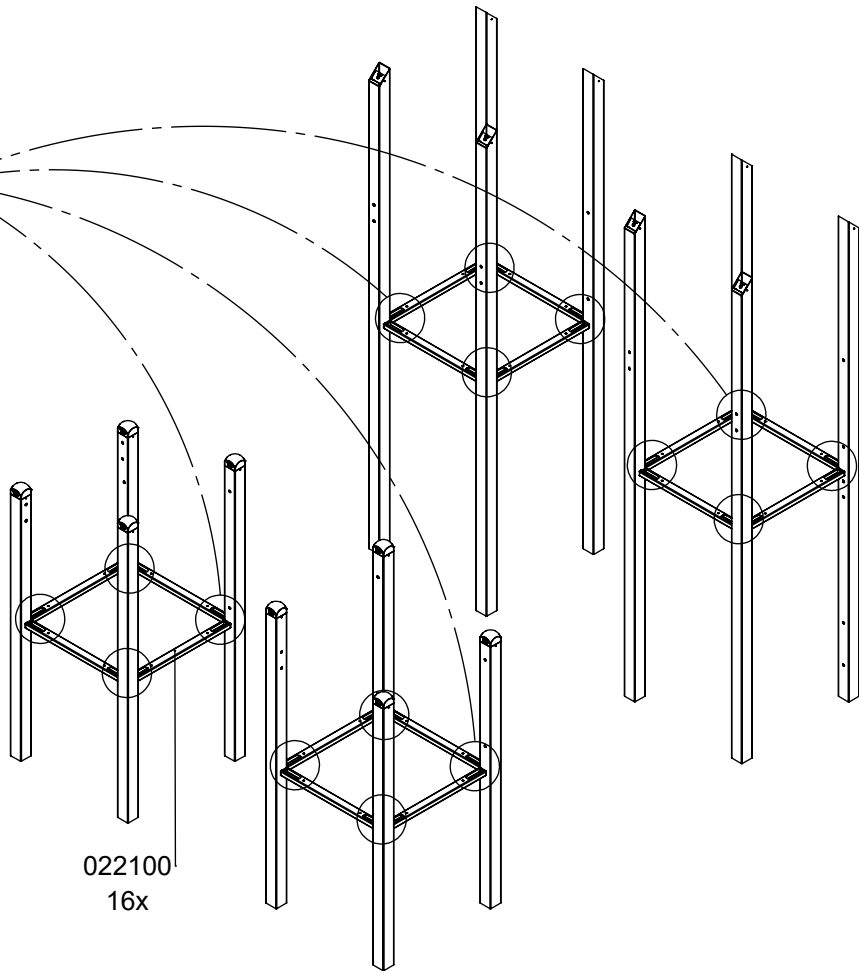
ST/INOX		PLYWOOD / HDPE		HPL	
		2 x	E8 (S1)	2 x	E9 (S1)
2x	E34 (K1, K3)	2 x	E152 (S6)	2 x	E153 (S6)
2x	E35 (K2)	2x	PS31	2x	PH31
2x	E88 (K2, K3)	2x	CE2	2x	CL2
1x	E38 (K2, K3)	1x	E4	1x	E5
	E37 (K2, K3)	6x	CE1	6x	CL1
2x	E28	5x	CE4	5x	CL4
13x	E1	1x	PS22	1x	PH22
1x	E51	1x	CE6	1x	CL6
4x	E3	1x	PS1	1x	PH1
1x	E39	3x	PS2	3x	PH2
1x	E238	2 x	CE31	2 x	CL31
1x	V001	1x	PS21	1x	PH21
		2x	CE111	2x	CL111
		1x	CE5	1x	CL5
		1x	PS93	1x	PH93
		1x	CE40	1x	CL40
				2x	E130
				2x	P061(S6)



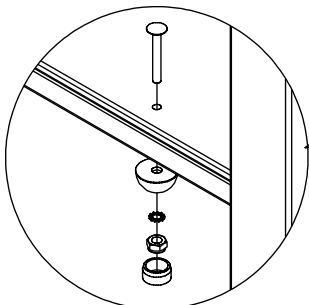




4x **E3**

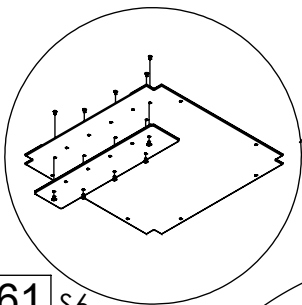


022100  
16x

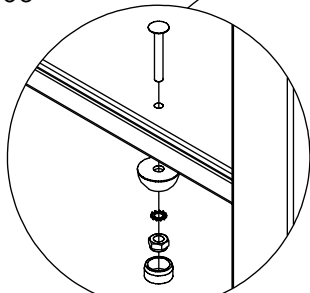


PLYWOOD HPL  
3x **PS2** **PH2**

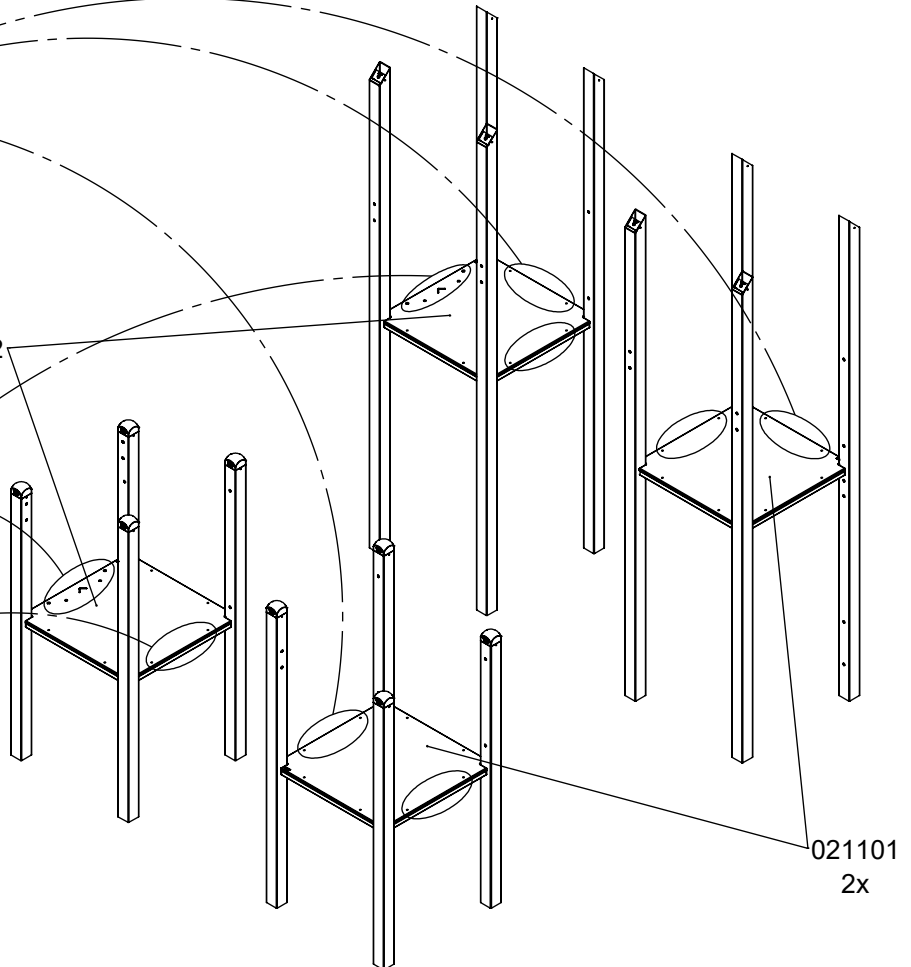
021102  
2x



1x **P061** S6



PLYWOOD HPL  
1x **PS1** **PH1**

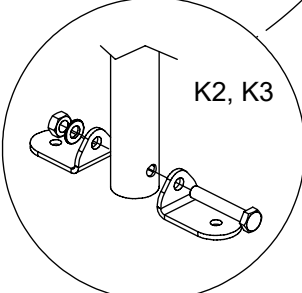
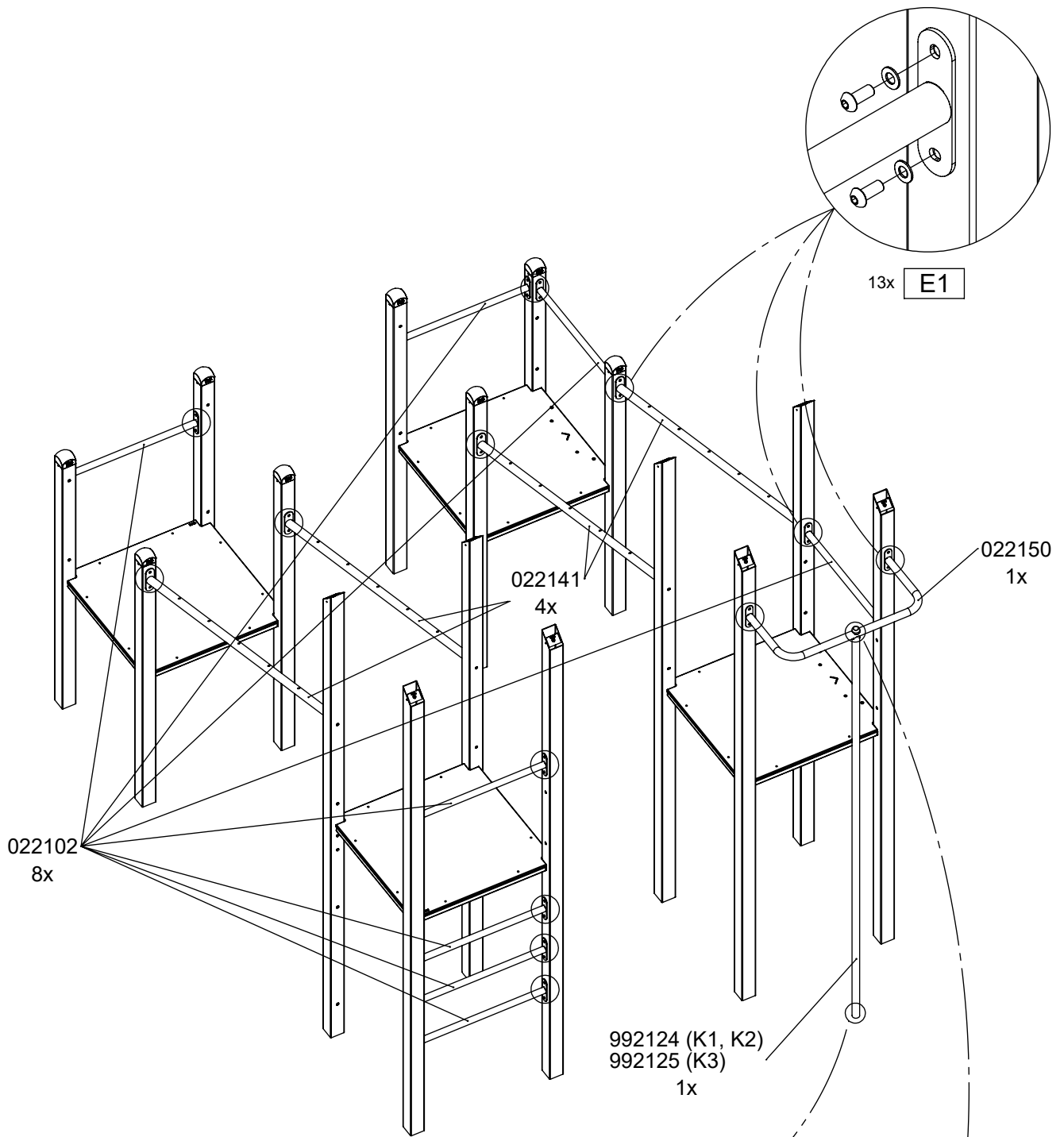


021101  
2x

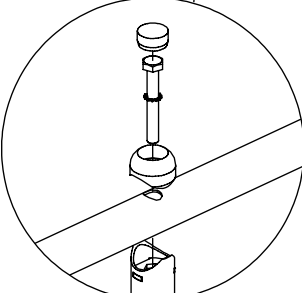
[cm]



vinci  
play



1x **E38**

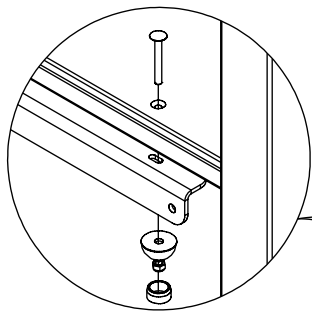


1x **E39**

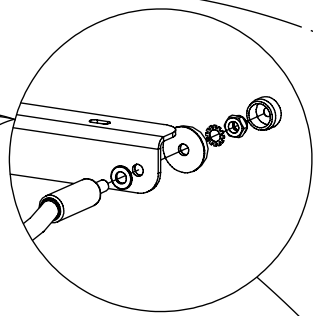
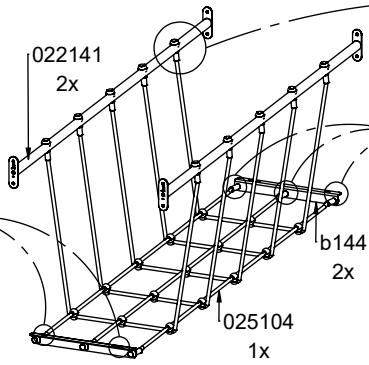
[cm]



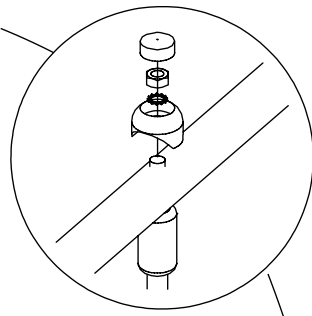
vinci  
play



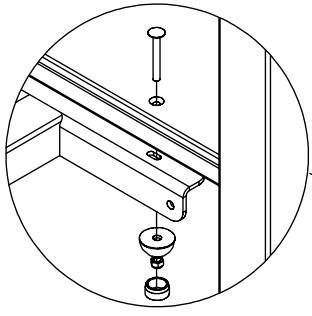
PLYWOOD PS31 HPL PH31  
1x



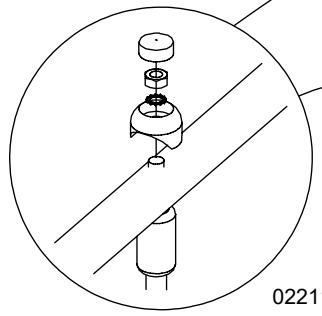
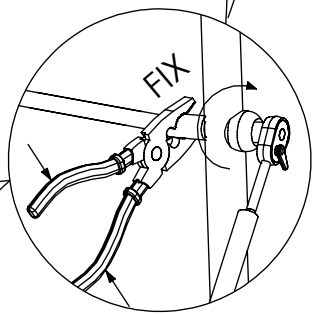
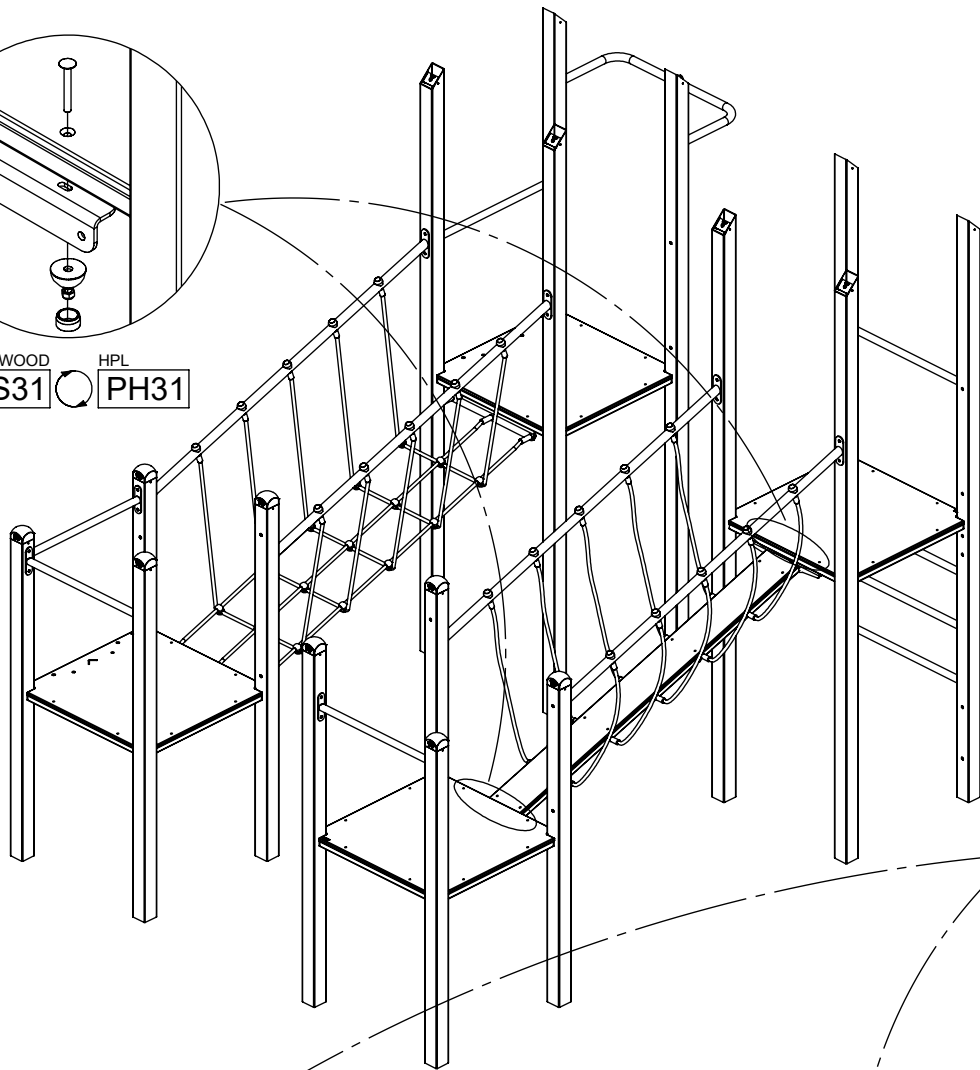
1x E51



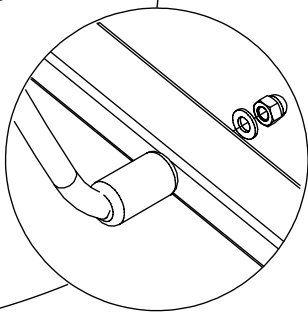
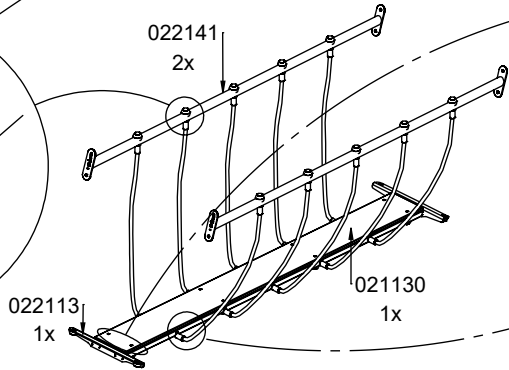
1x E28



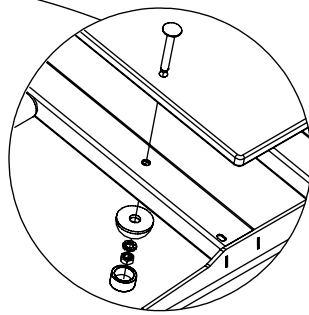
PLYWOOD PS31 HPL PH31  
1x



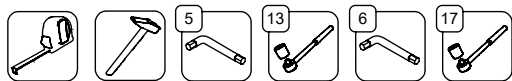
1x E28



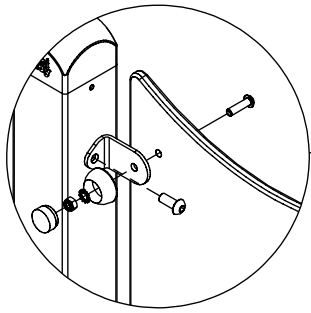
PLYWOOD PS22 HPL PH22  
1x



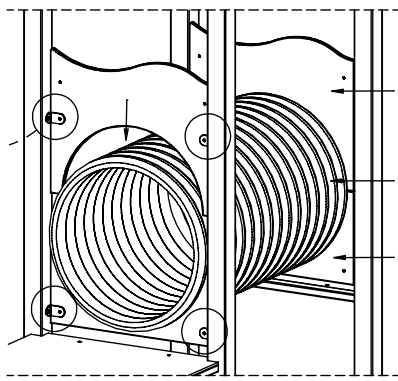
[cm]



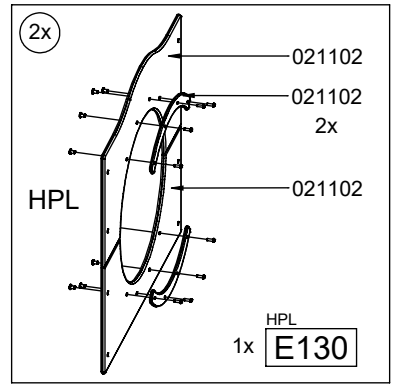
vinci play



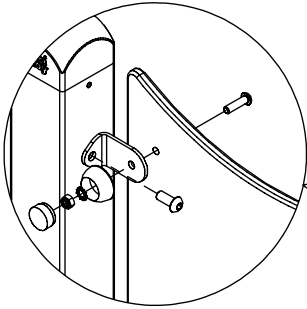
2x HDPE CE4 HPL CL4



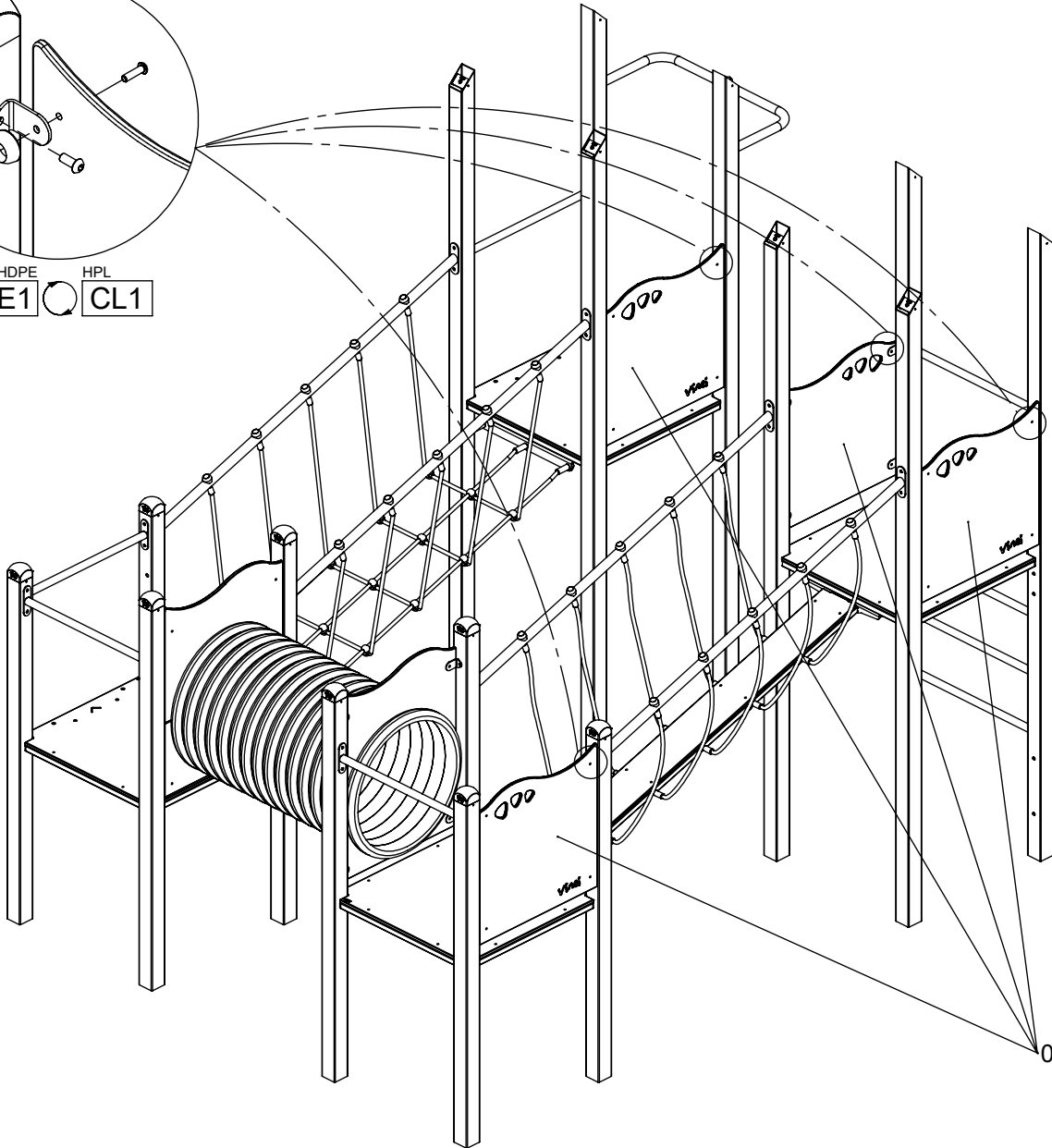
021105 2x  
996104 1x  
021106 2x



2x 021102  
021102 2x  
021102  
HPL  
1x E130



4x HDPE CE1 HPL CL1

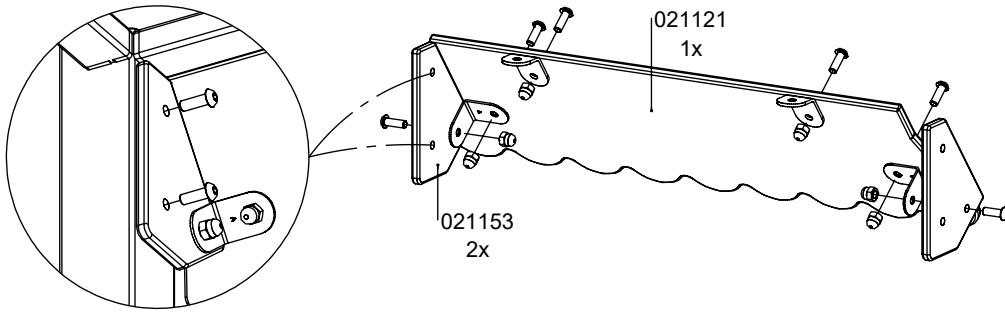


021100 4x

[cm]



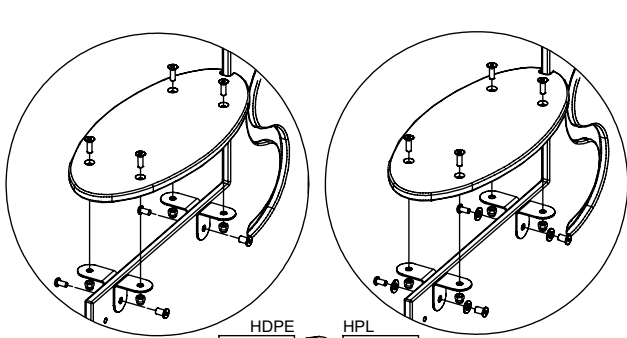
vinci play



1x 

HDPE	
CE5	○

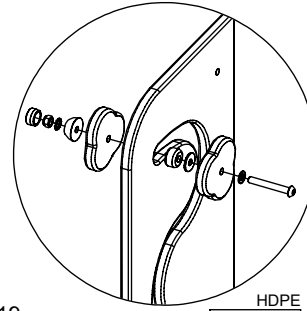
HPL	
CL5	○



1x 

HDPE	
CE6	○

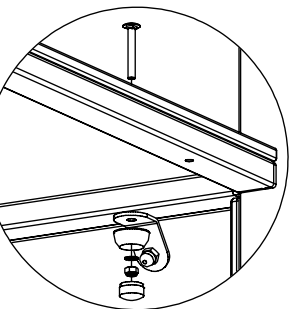
HPL	
CL6	○



1x 

HDPE	
CE40	○

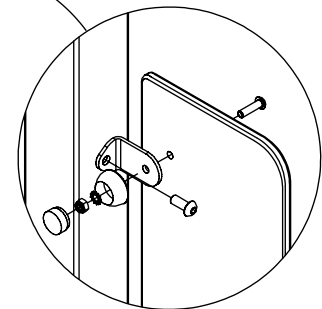
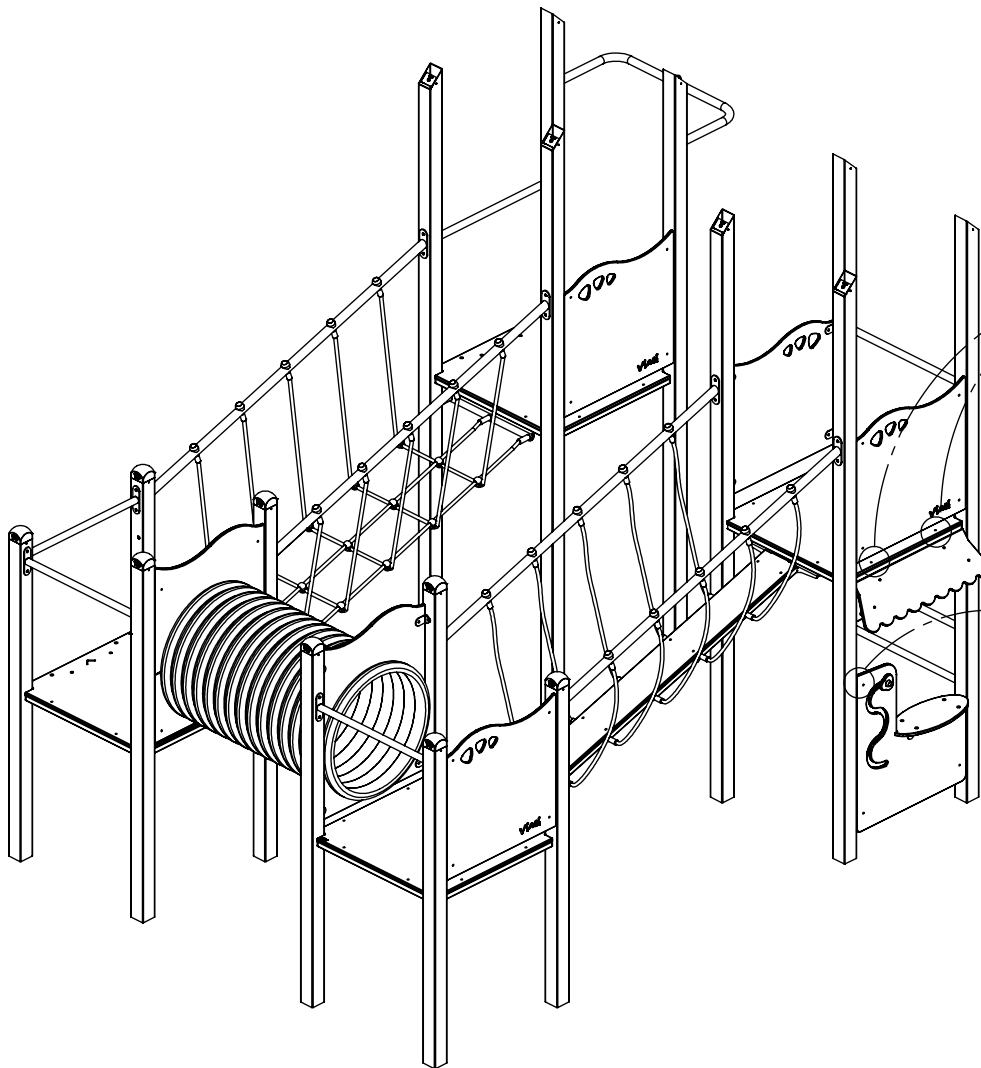
HPL	
CL40	○



1x 

PLYWOOD	
PS93	○

HPL	
PH93	○



1x 

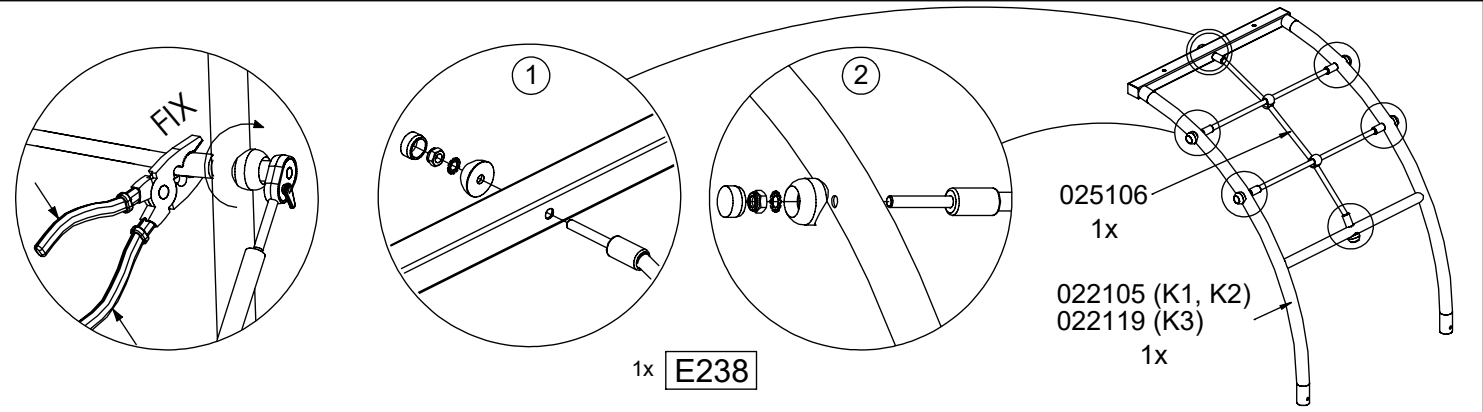
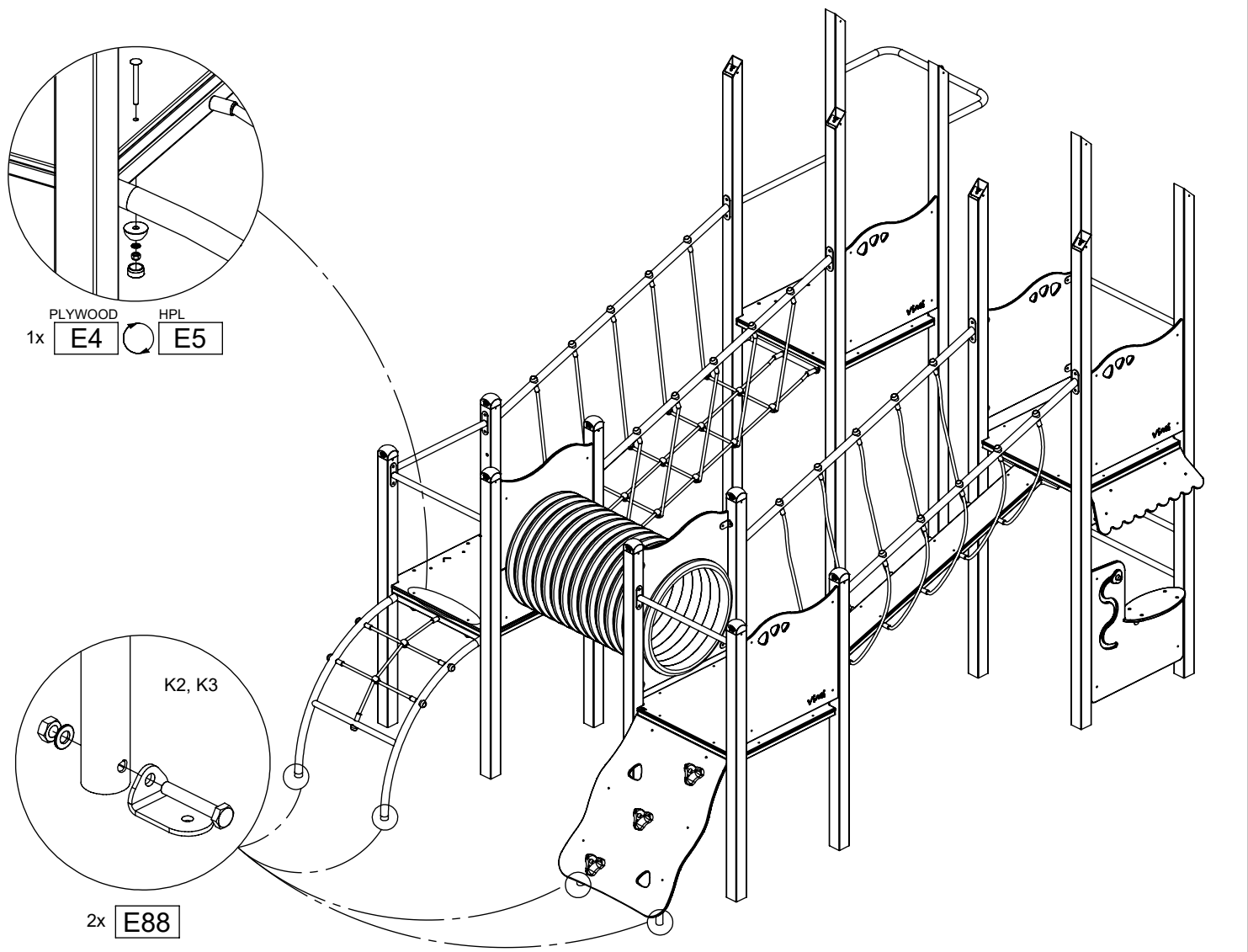
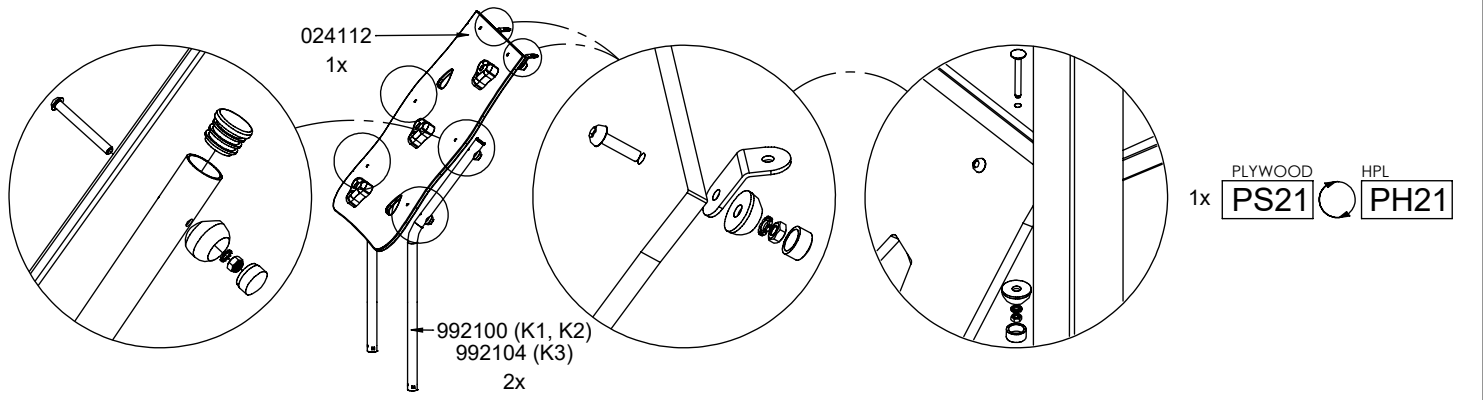
HDPE	
CE4	○

HPL	
CL4	○

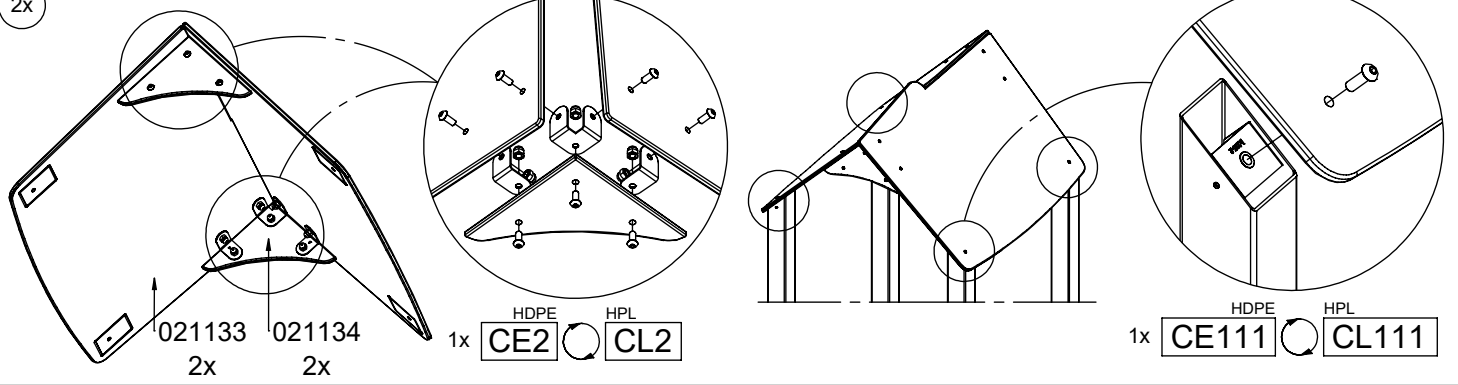
[cm]



vinci  
play



2x

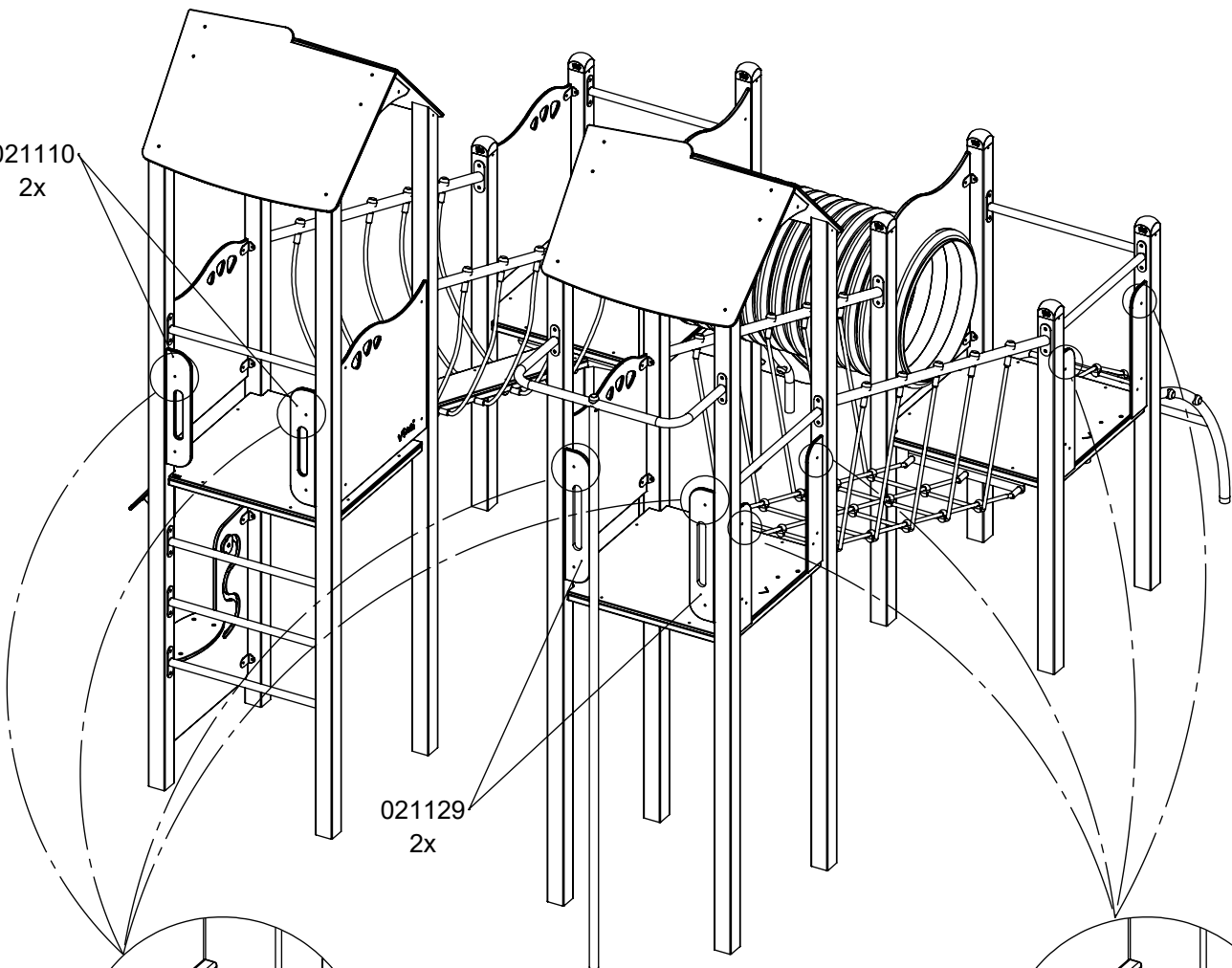


021133 2x  
021134 2x

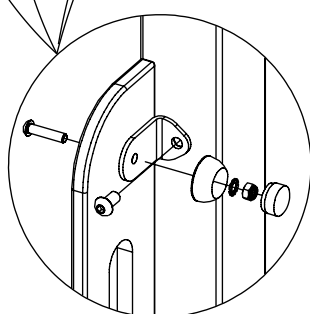
1x HDPE HPL  
CE2 CL2

1x HDPE HPL  
CE111 CL111

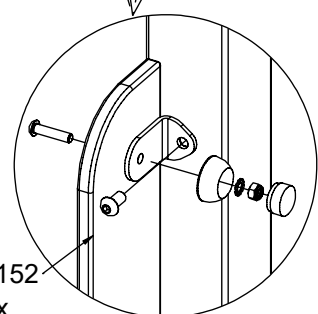
021110  
2x



021129  
2x



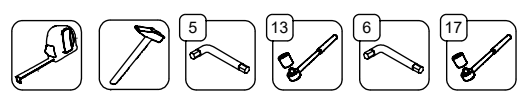
2x HDPE HPL  
CE4 CL4



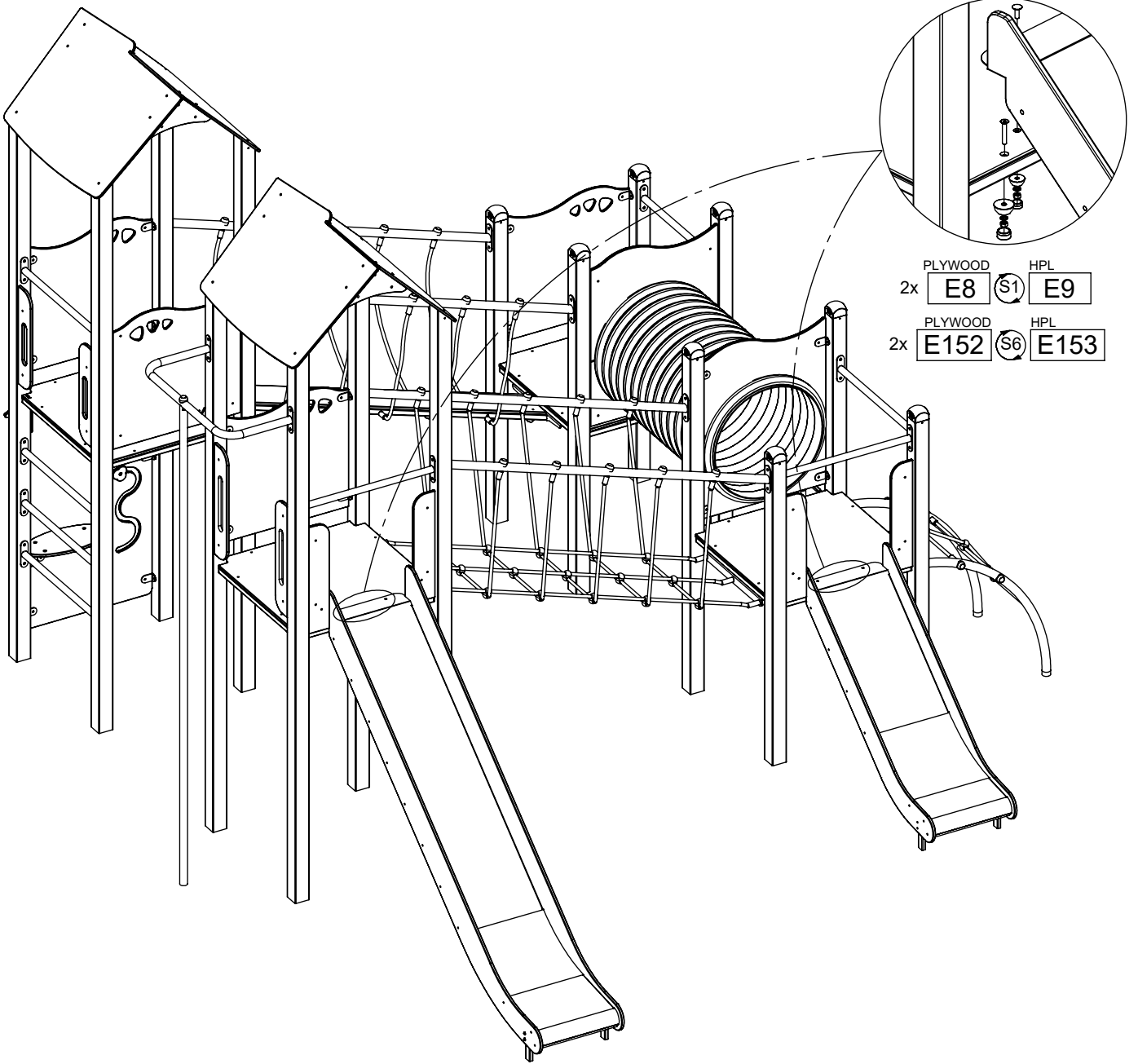
021152  
4x

2x HDPE HPL  
CE1 CL1

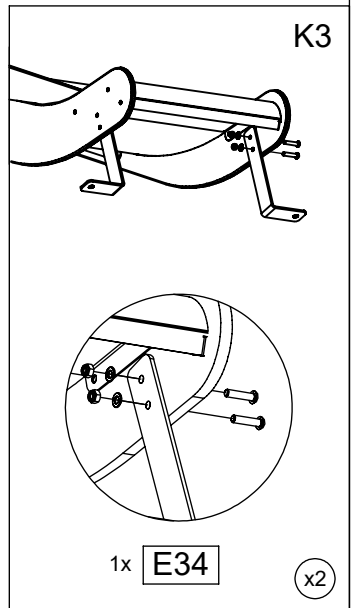
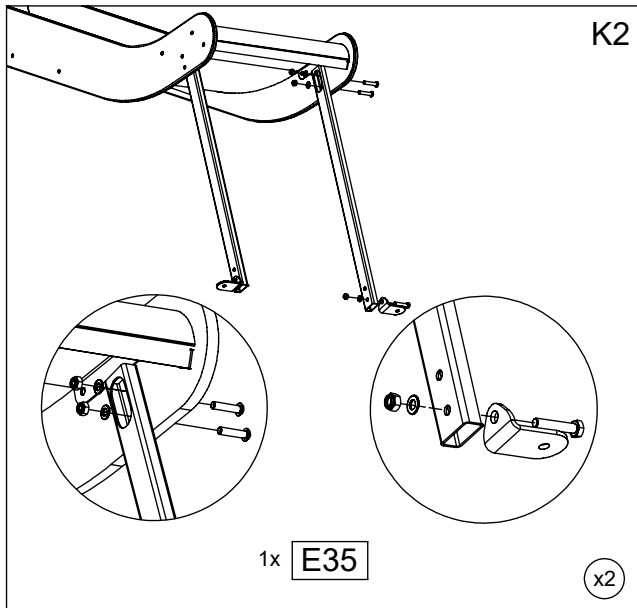
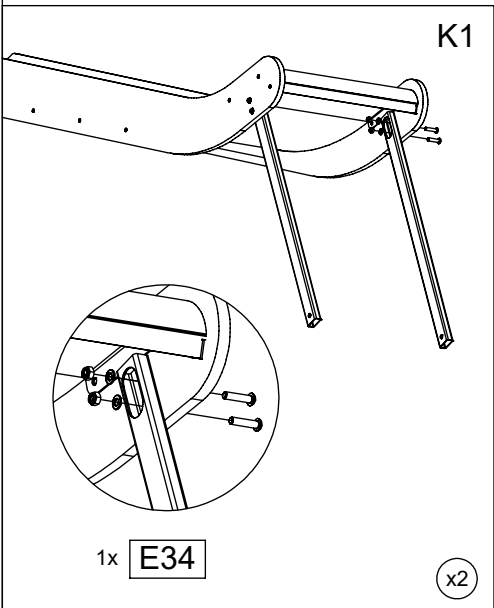
[cm]



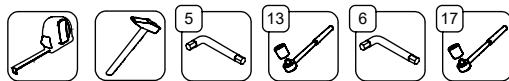
vinci  
play



- PLYWOOD 2x **E8** (S1) HPL **E9**
- PLYWOOD 2x **E152** (S6) HPL **E153**

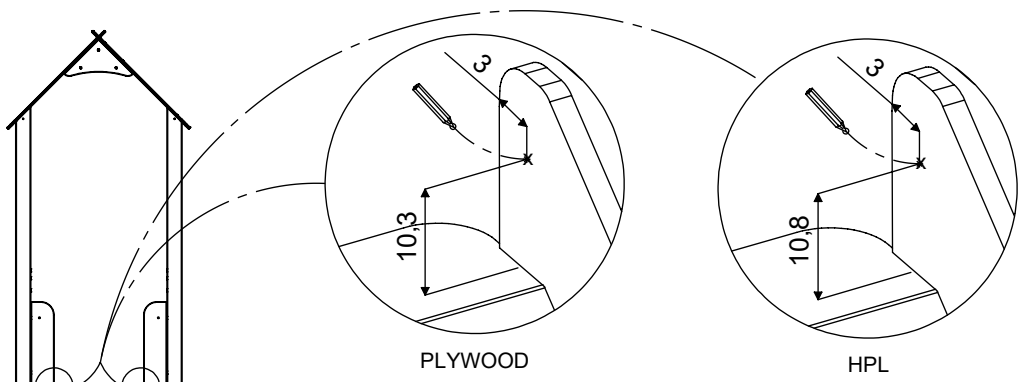


[cm]



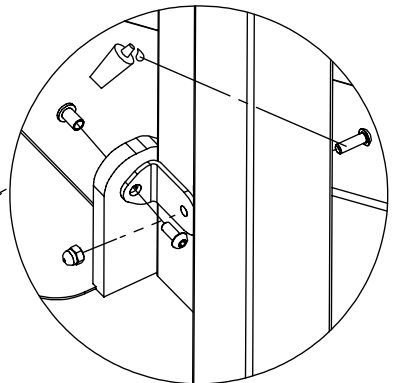
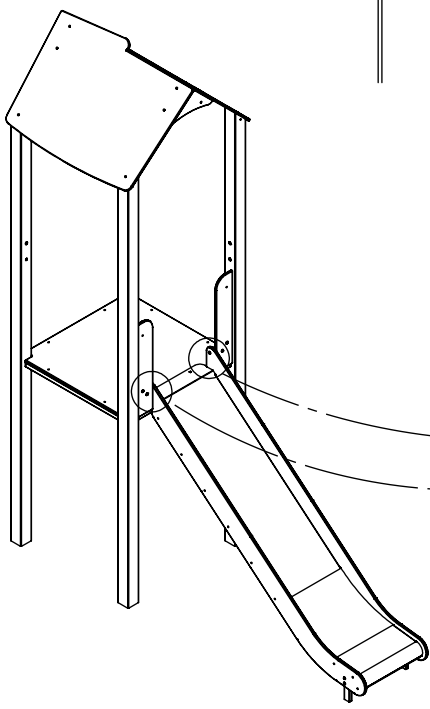
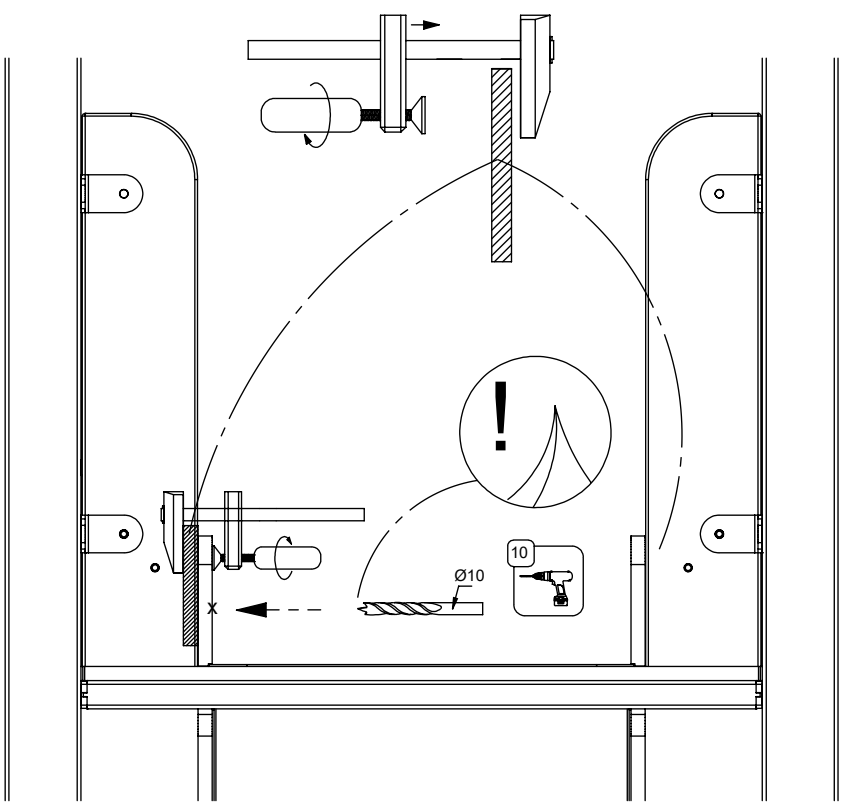
vinci  
play





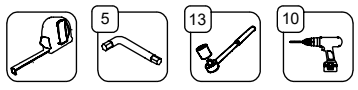
PLYWOOD

HPL

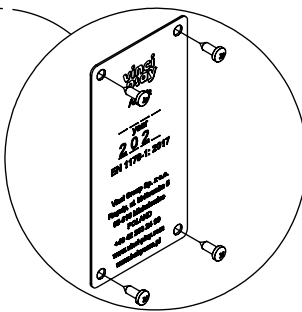
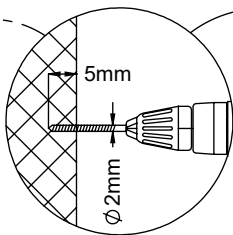
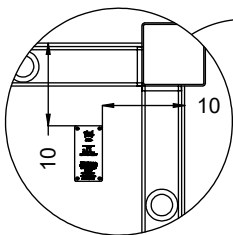
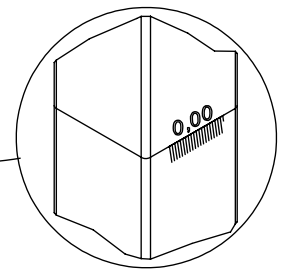
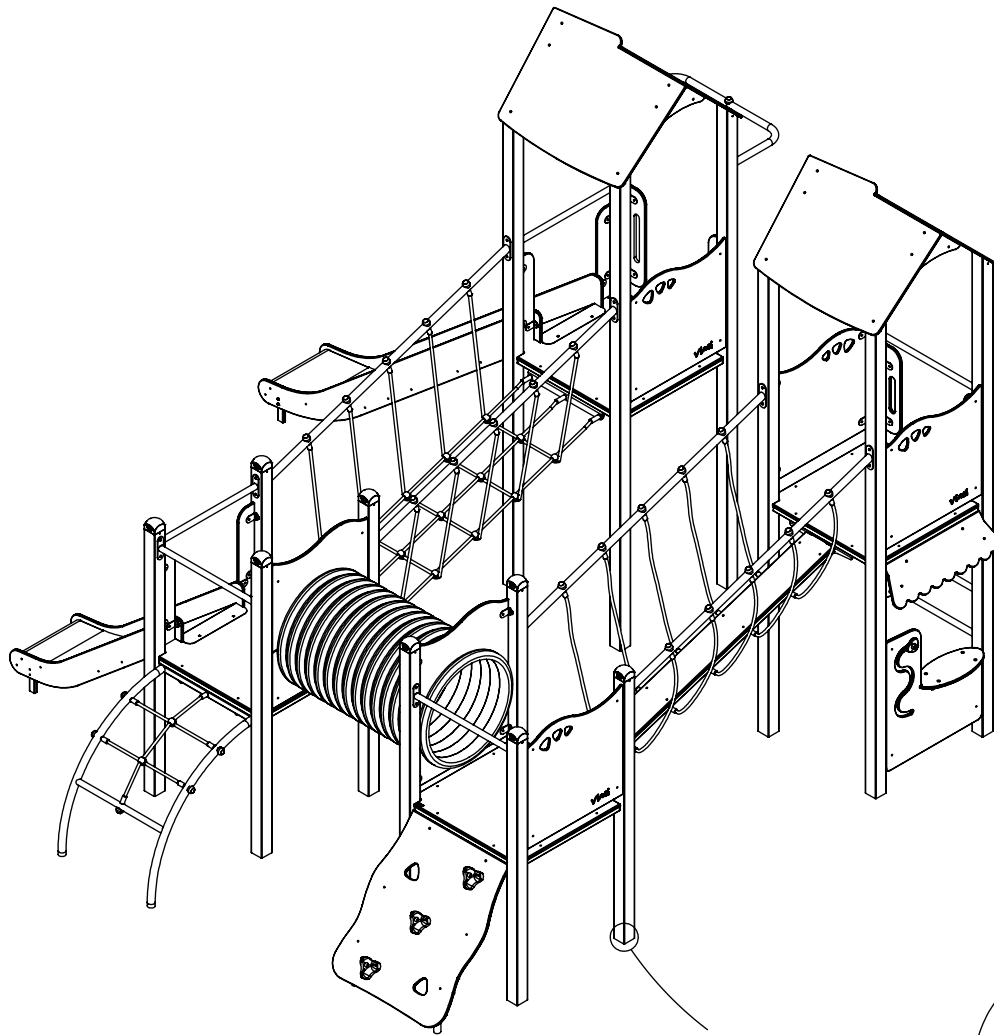


1x 

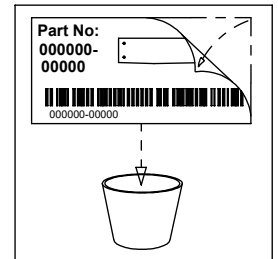
HDPE	HPL
CE31	CL31



[cm]



V001



[cm]



vinci  
play