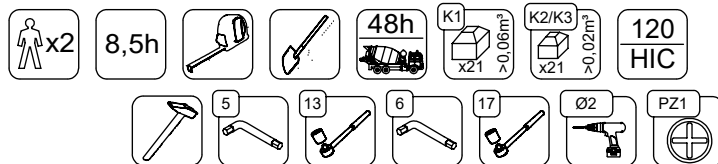
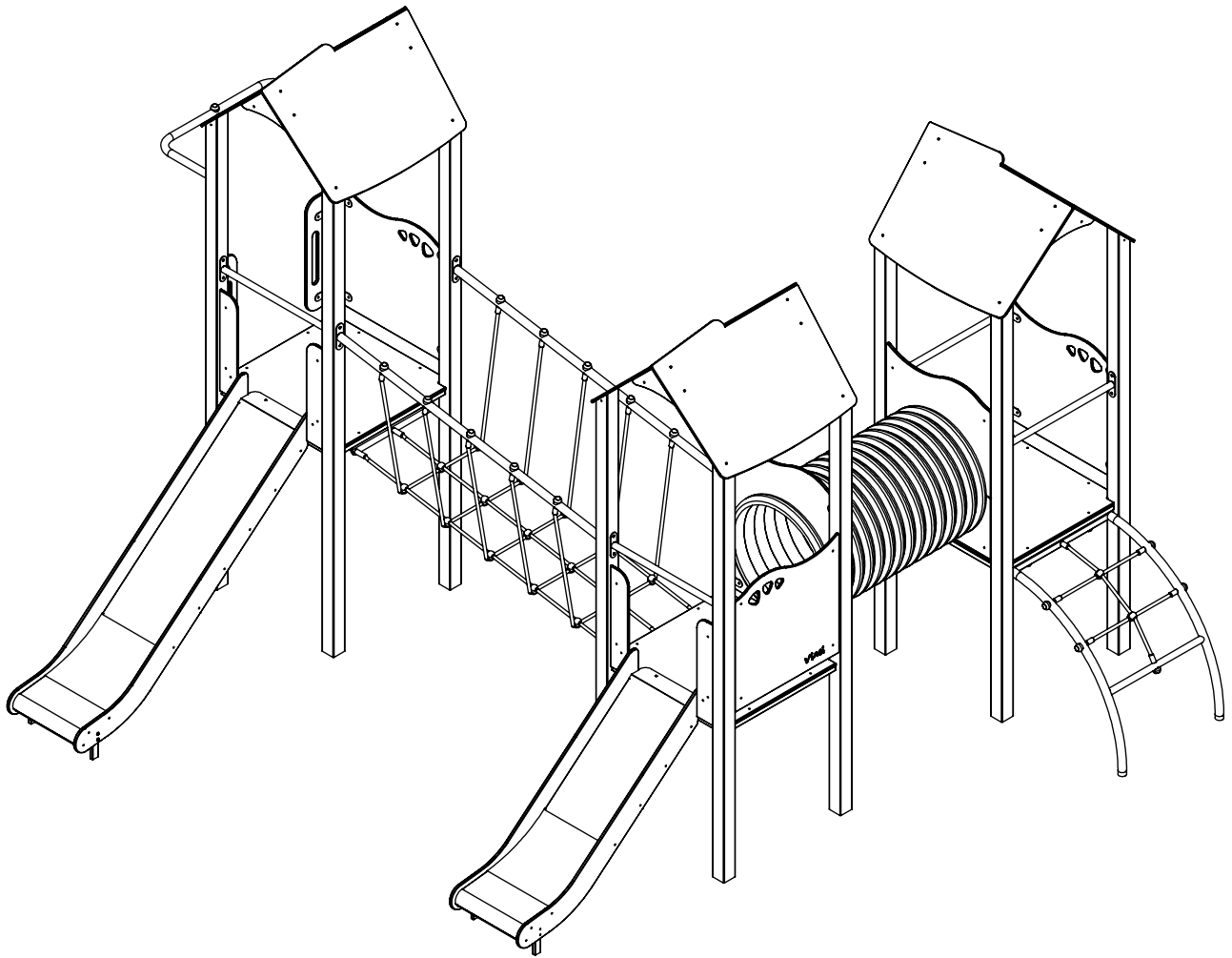
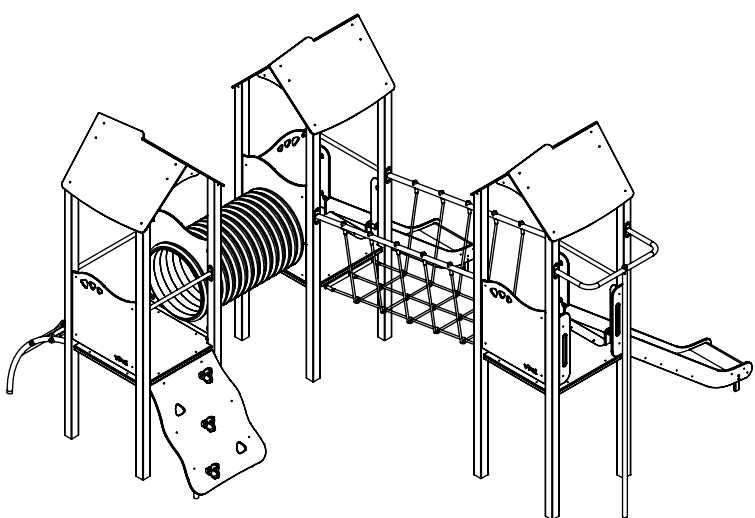
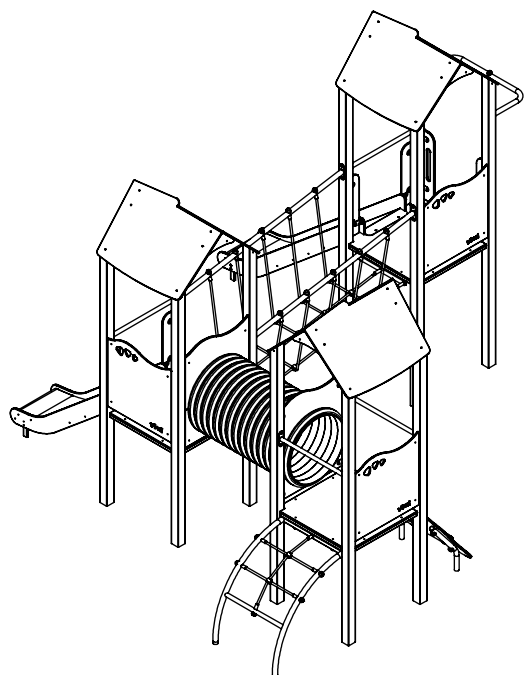
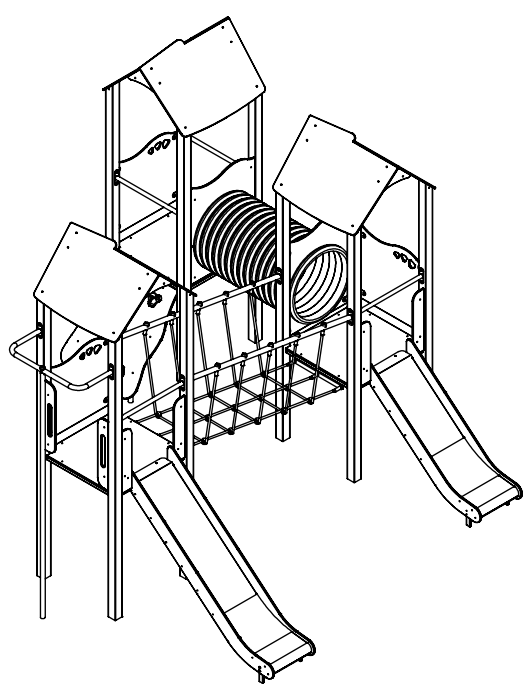
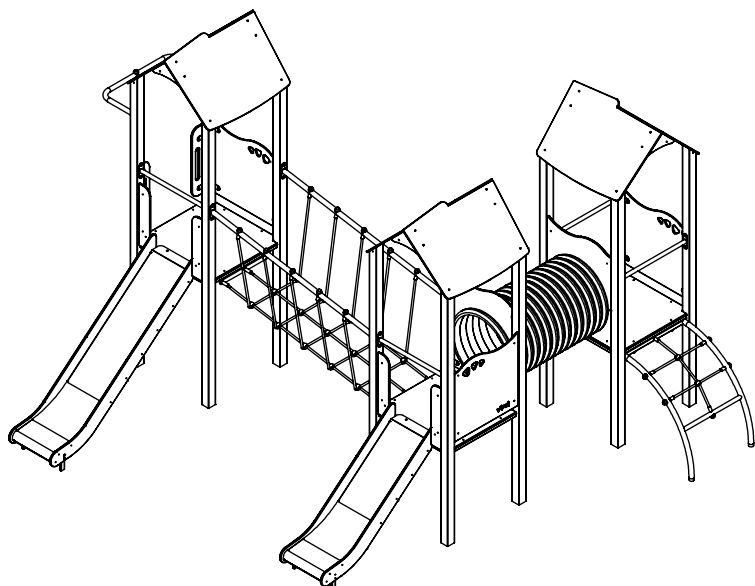


0207



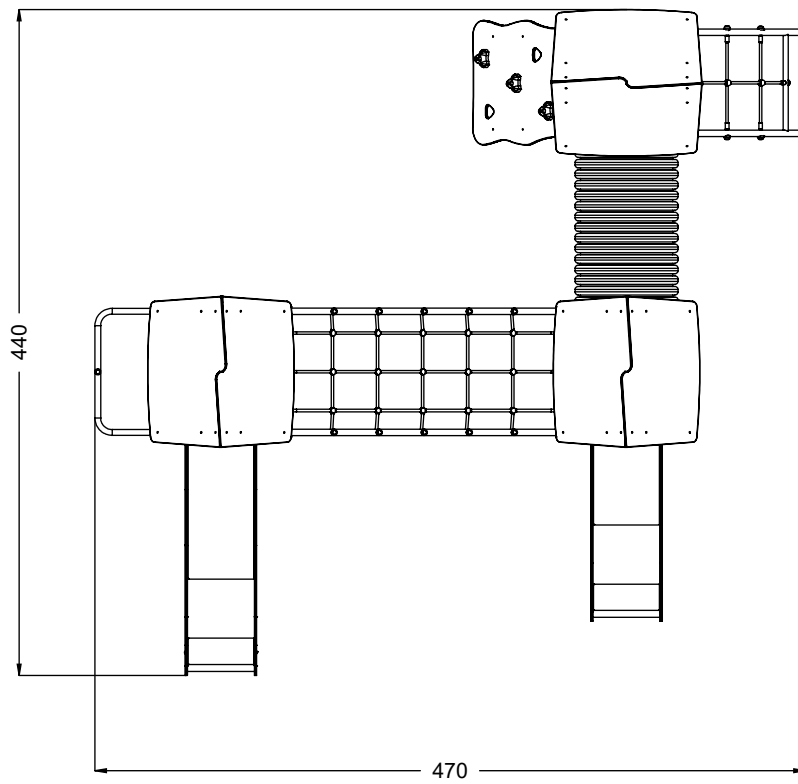
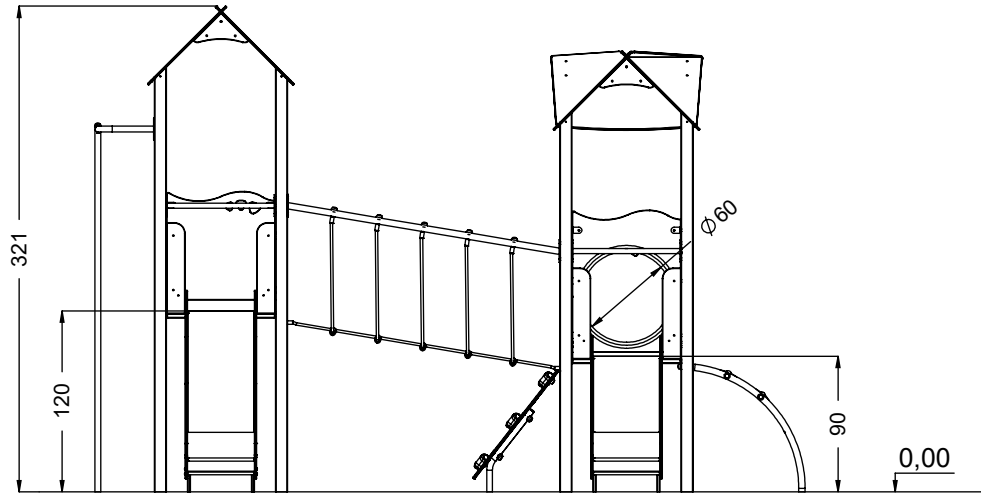
v014
24.01.2022
D. P.
[cm]

vinci
play



[cm]

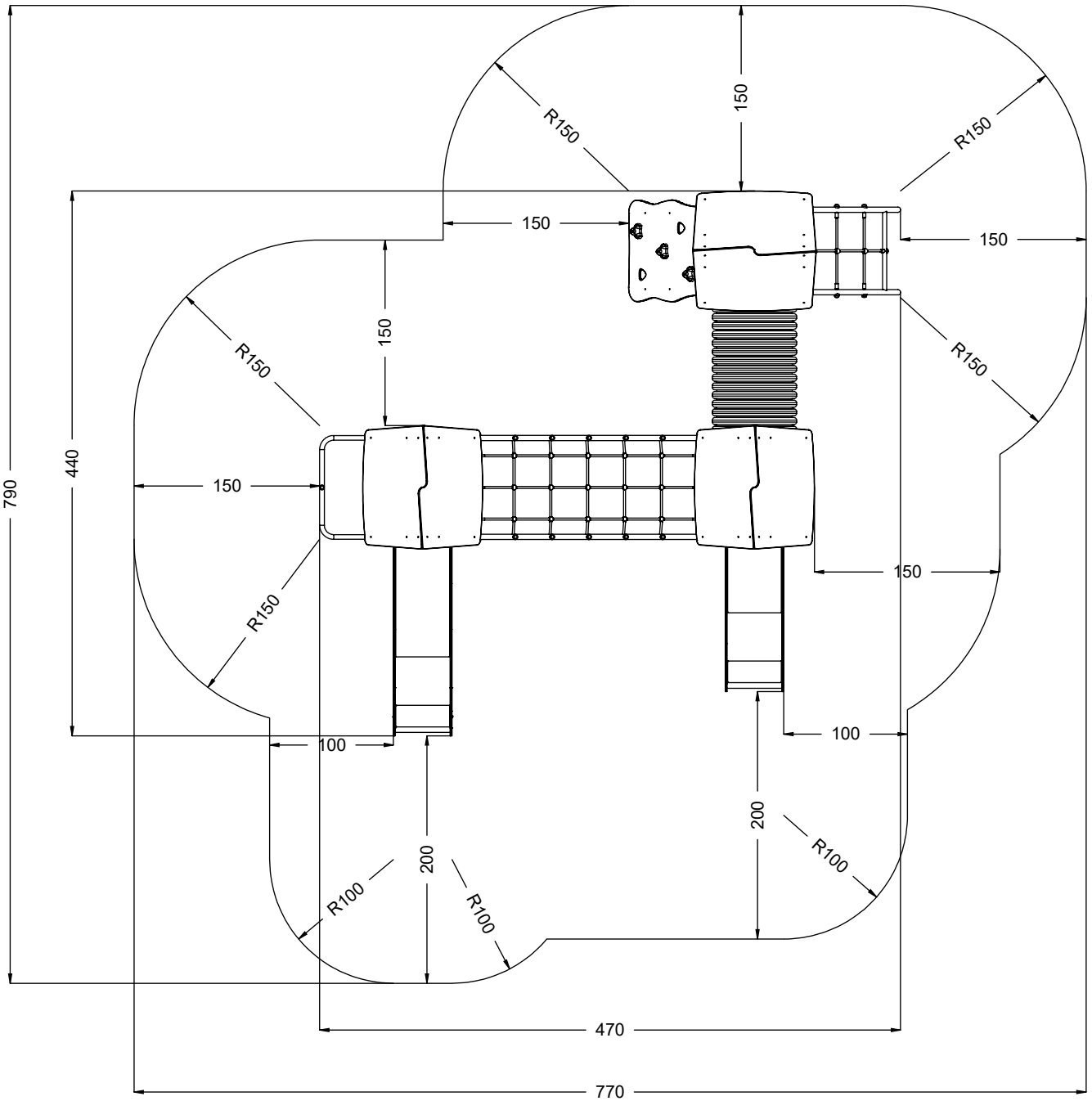
vinci
play



[cm]



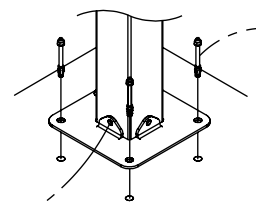
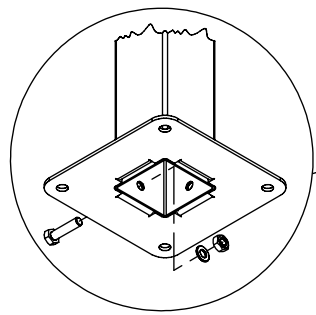
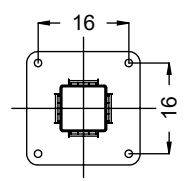
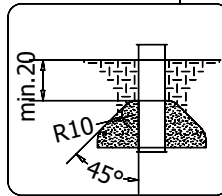
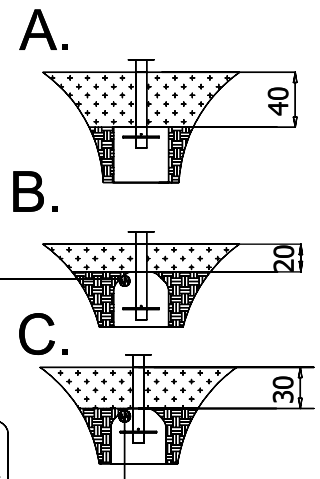
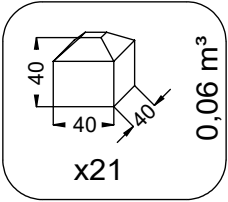
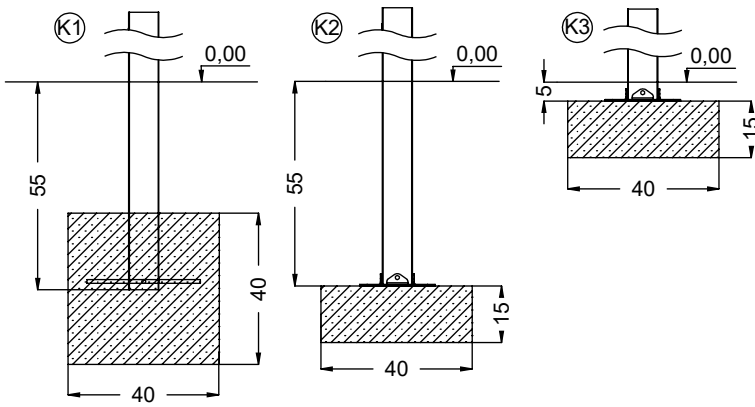
vinci
play



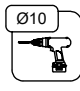
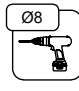




[cm]

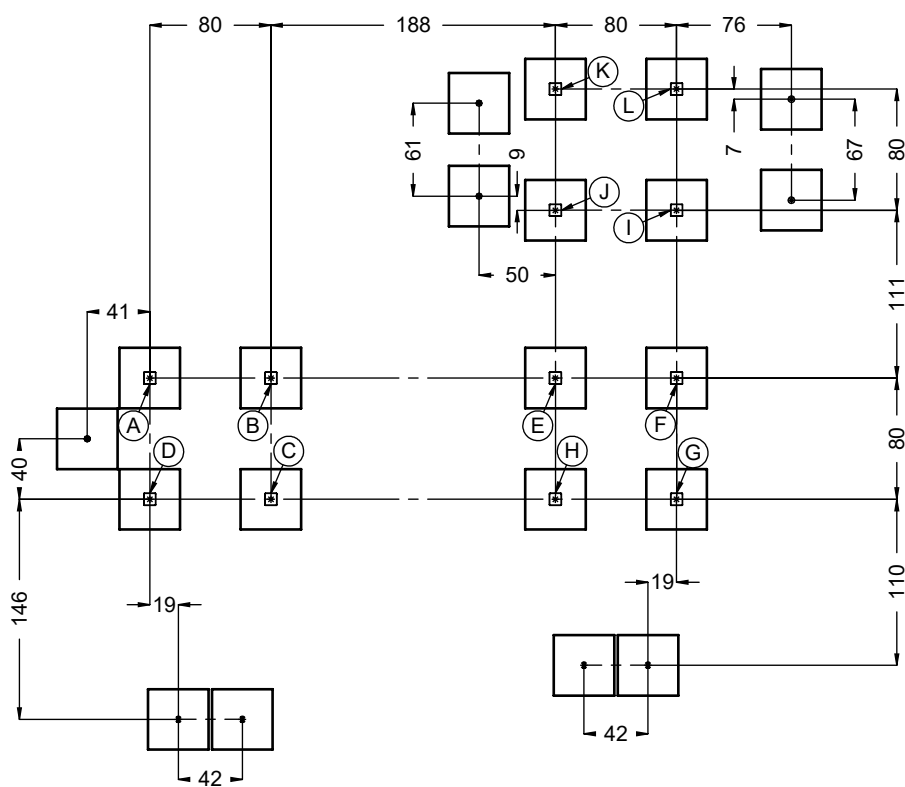


vinci
play



48x M10x120 (K2)	10x M8x120 (K2)
52x M10x120 (K3)	6x M8x120 (K3)
	
	
NOT INCLUDED	NOT INCLUDED
	

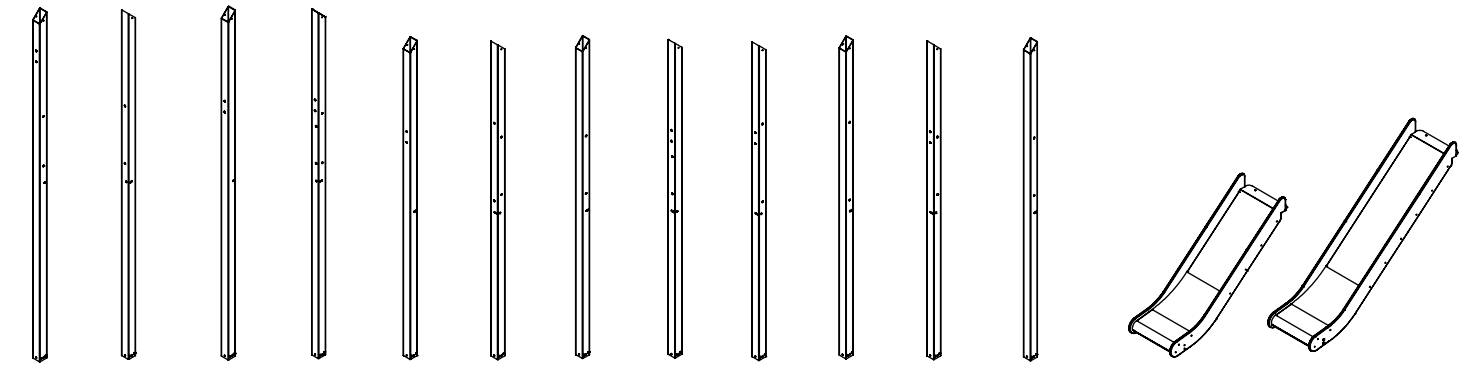
E37



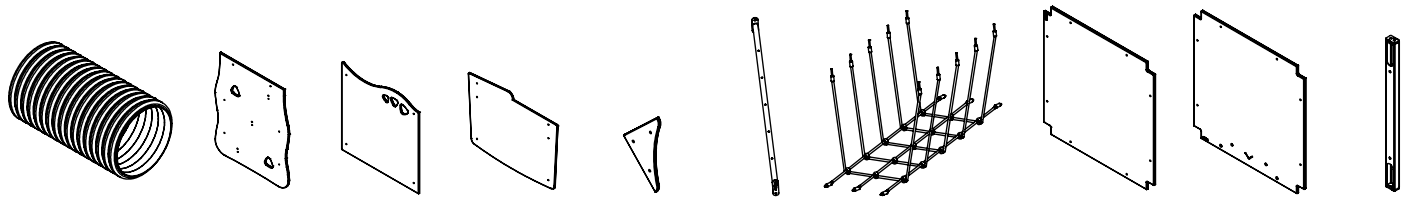
[cm]

 x2	8,5h			48h	 K1 x21 >0,06m³	 K2/K3 x21 >0,02m³
--	------	---	---	-----	--	--

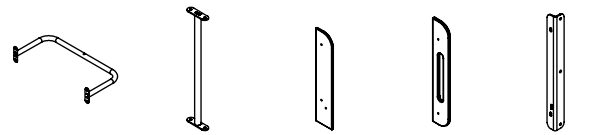
vinci play



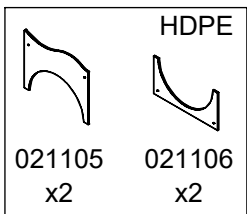
207A x1 207B x1 207C x1 207D x1 207E x1 207F x1 207G x1 207H x1 207I x1 207J x1 207K x1 207L x1 994103 x1 994104 x1



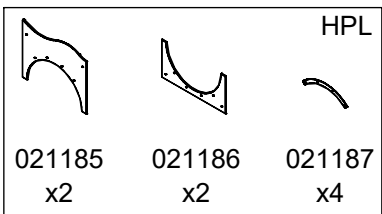
996104 x1 021112 x1 021100 x3 021133 x6 021134 x6 022140 x2 025103 x1 021101 x1 021102 x2 022100 x12



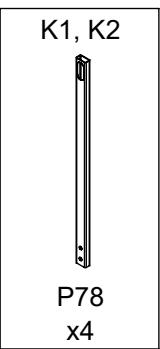
022150 x1 022102 x4 021152 x4 021129 x2 b144 x2



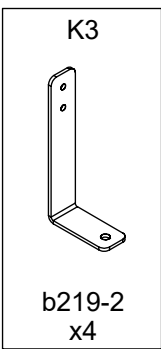
021105 x2 021106 x2



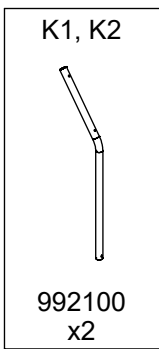
021185 x2 021186 x2 021187 x4



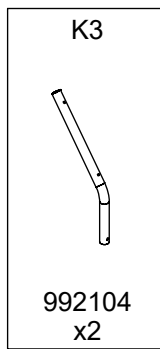
K1, K2
P78
x4



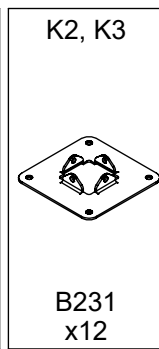
K3
b219-2
x4



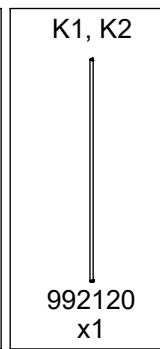
K1, K2
992100
x2



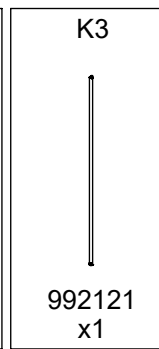
K3
992104
x2



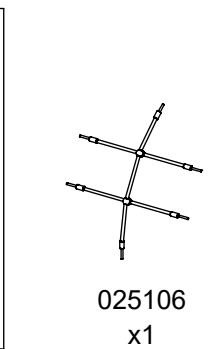
K2, K3
B231
x12



K1, K2
992120
x1



K3
992121
x1

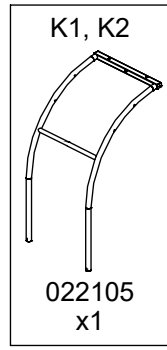


025106
x1

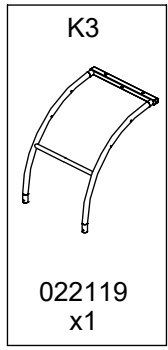
ST/INOX	
2x	E34 (K1, K3)
2x	E35 (K2)
2x	E88 (K2, K3)
1x	E38 (K2, K3)
	E37 (K2, K3)
1x	E28
7x	E1
1x	E51
3x	E3
1x	E39
1x	E238
1x	V001

PLYWOOD / HDPE	
2 x	E8 (S1)
2 x	E152 (S6)
1 x	PS31
3x	CE2
1x	E4
5x	CE1
3x	CE4
3x	PS2
2 x	CE31
1x	PS21
3x	CE111

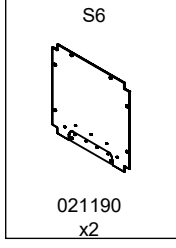
HPL	
2 x	E9 (S1)
2 x	E153 (S6)
1 x	PH31
3x	CL2
1x	E5
5x	CL1
3x	CL4
3x	PH2
2 x	CL31
1x	PH21
3x	CL111
2x	E130
2x	P061(S6)



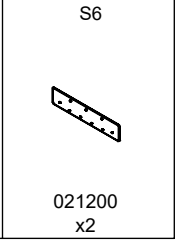
022105
x1



022119
x1



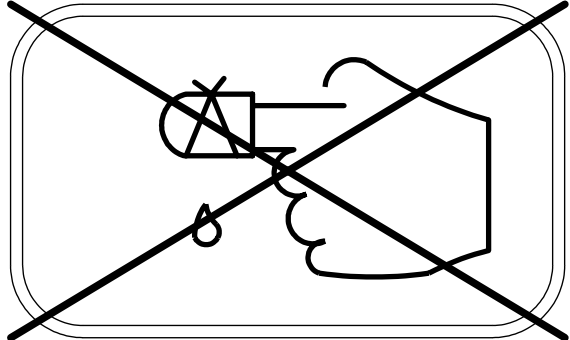
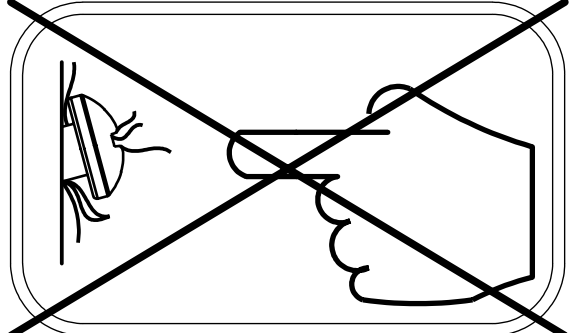
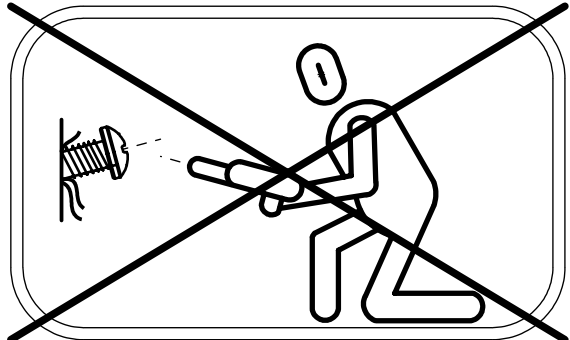
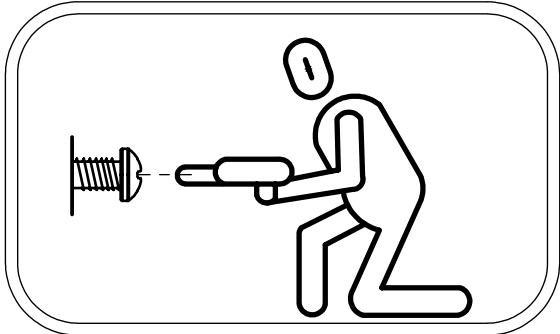
021190
x2

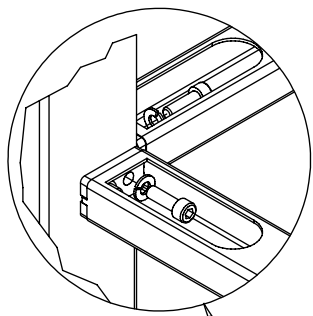


021200
x2

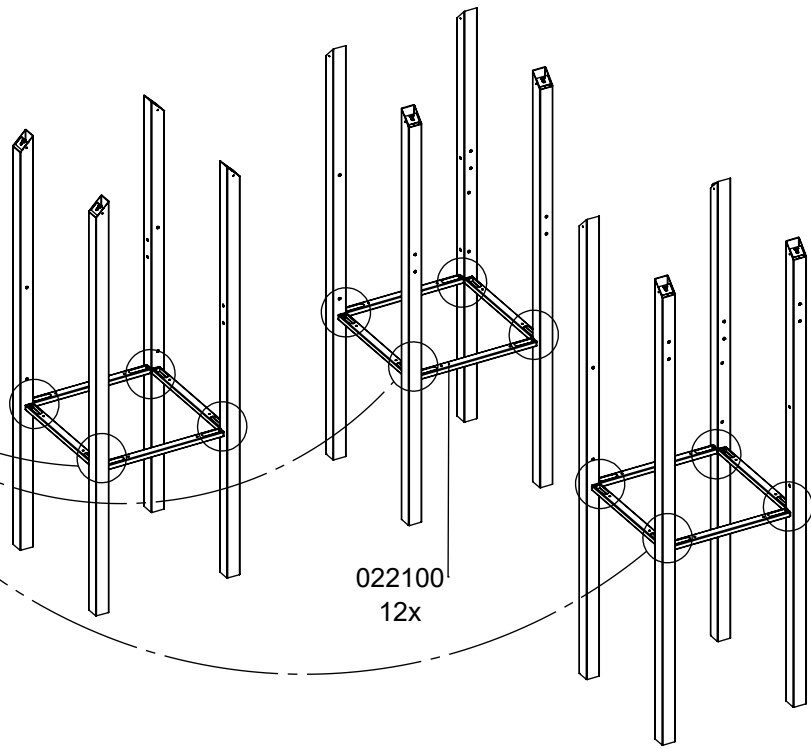
vinci play

[cm]

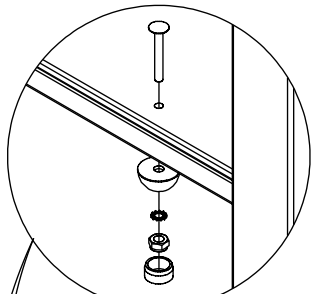




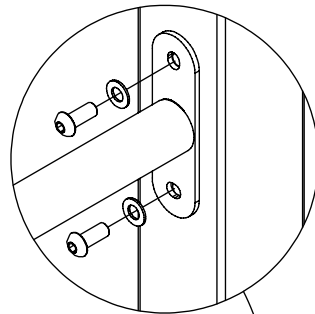
3x **E3**



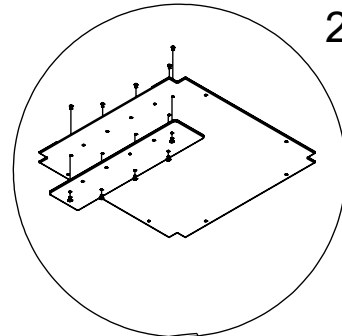
022100
12x



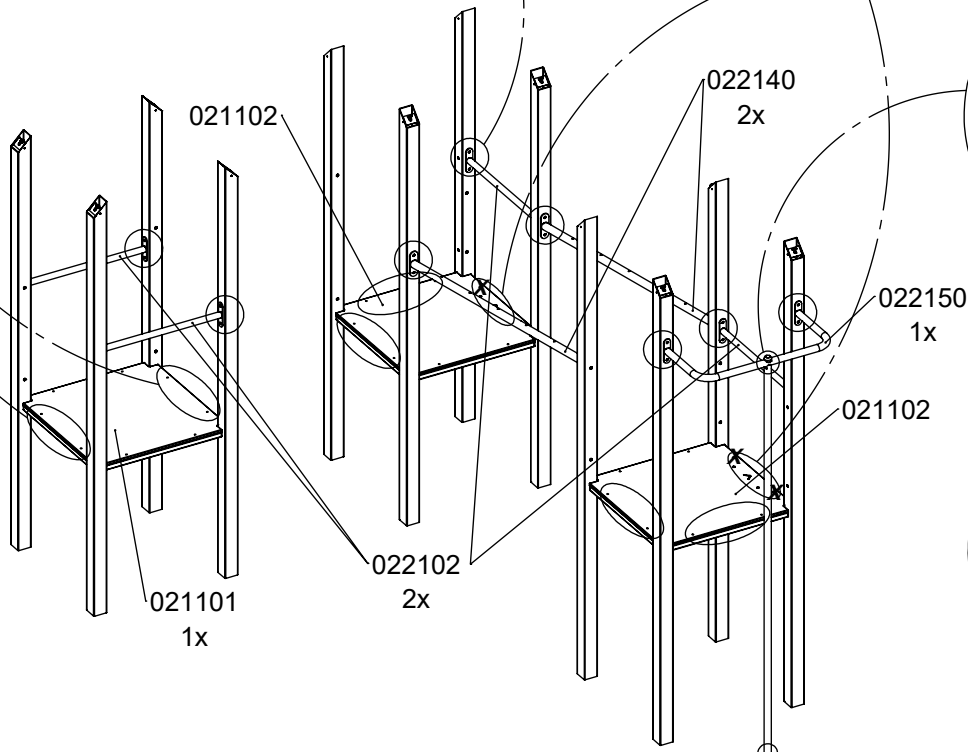
PLYWOOD HPL
3x **PS2** **PH2**



7x **E1**



2x **P061** S6



021102

022140
2x

022150
1x

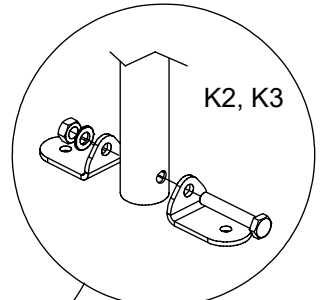
1x **E39**

021101
1x

022102
2x

021102

1x **E38**

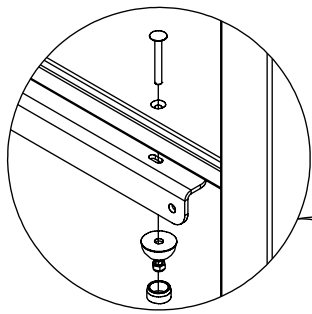


K2, K3

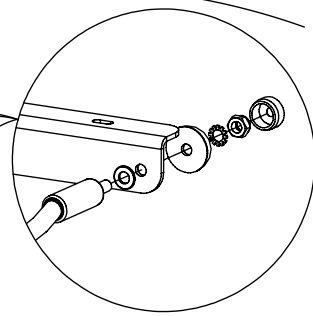
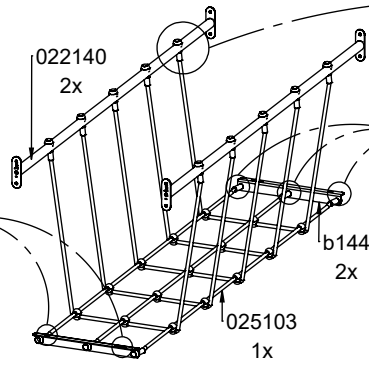
[cm]



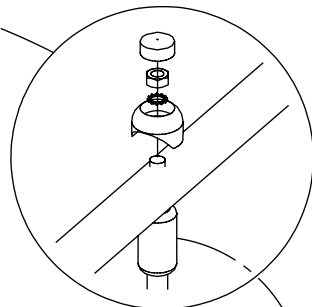
vinci
play



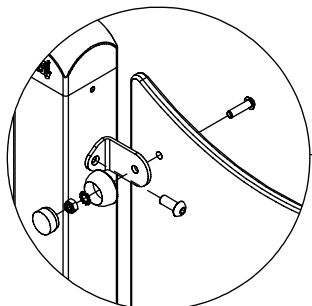
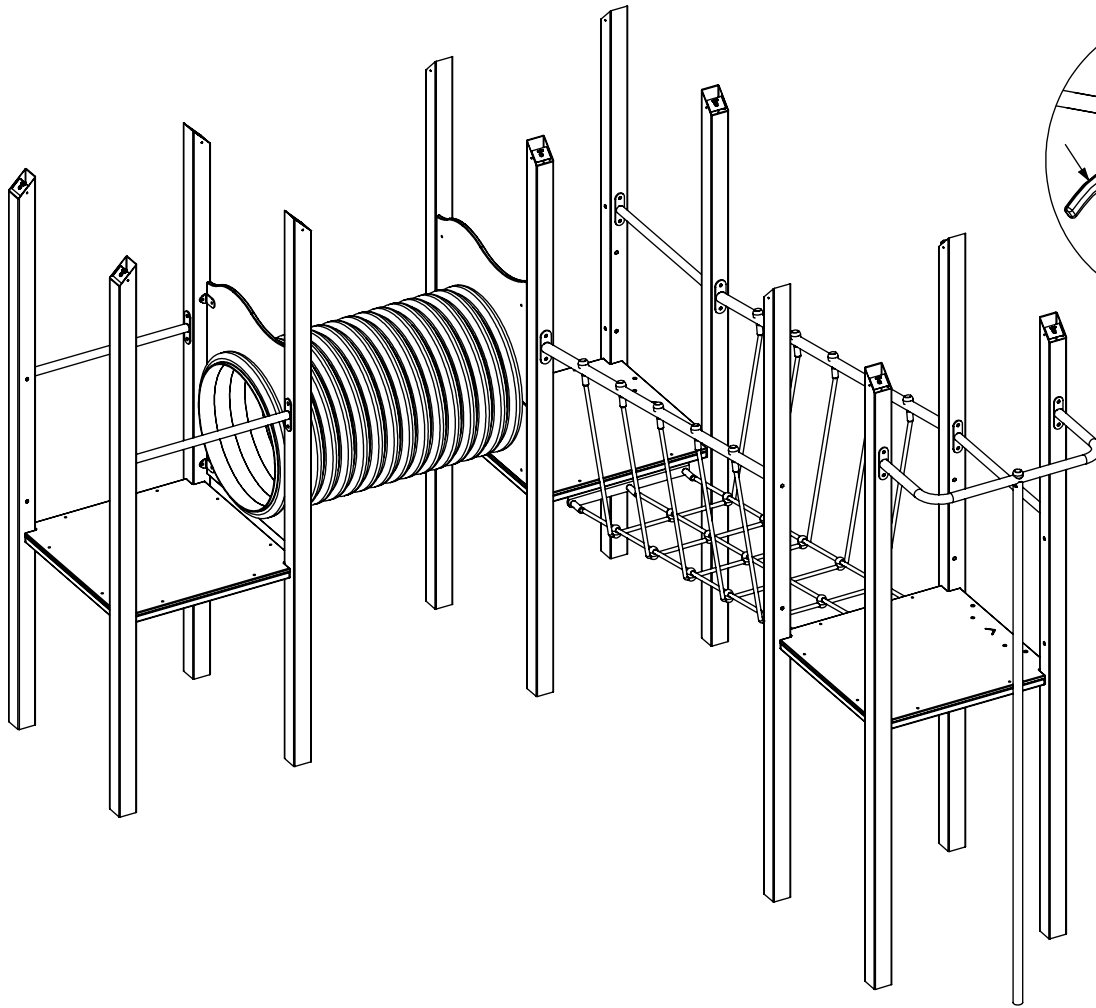
PLYWOOD PS31 1x
HPL PH31



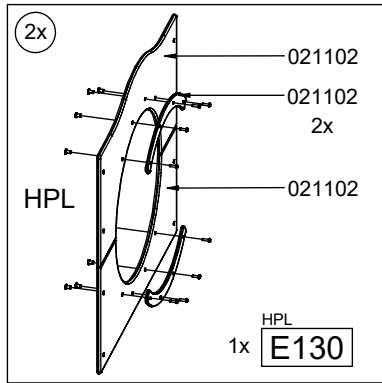
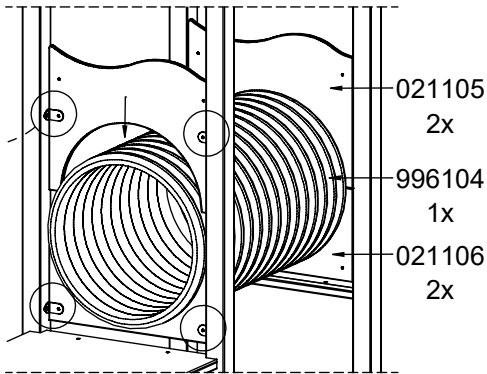
1x E51



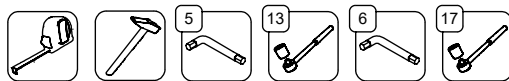
1x E28



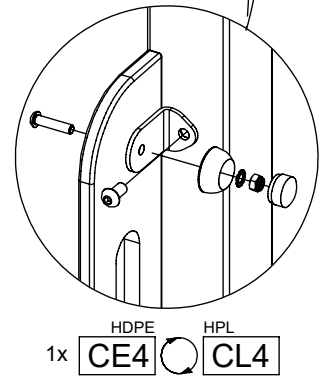
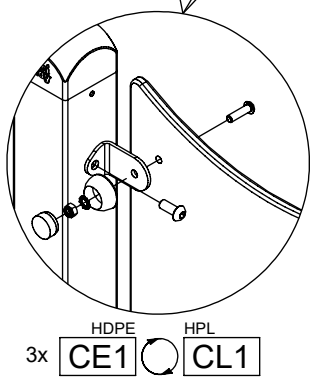
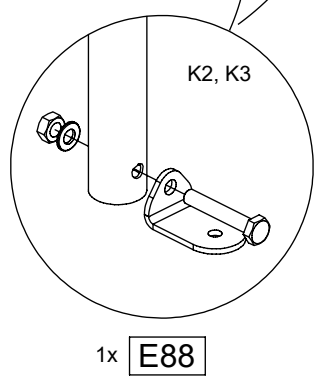
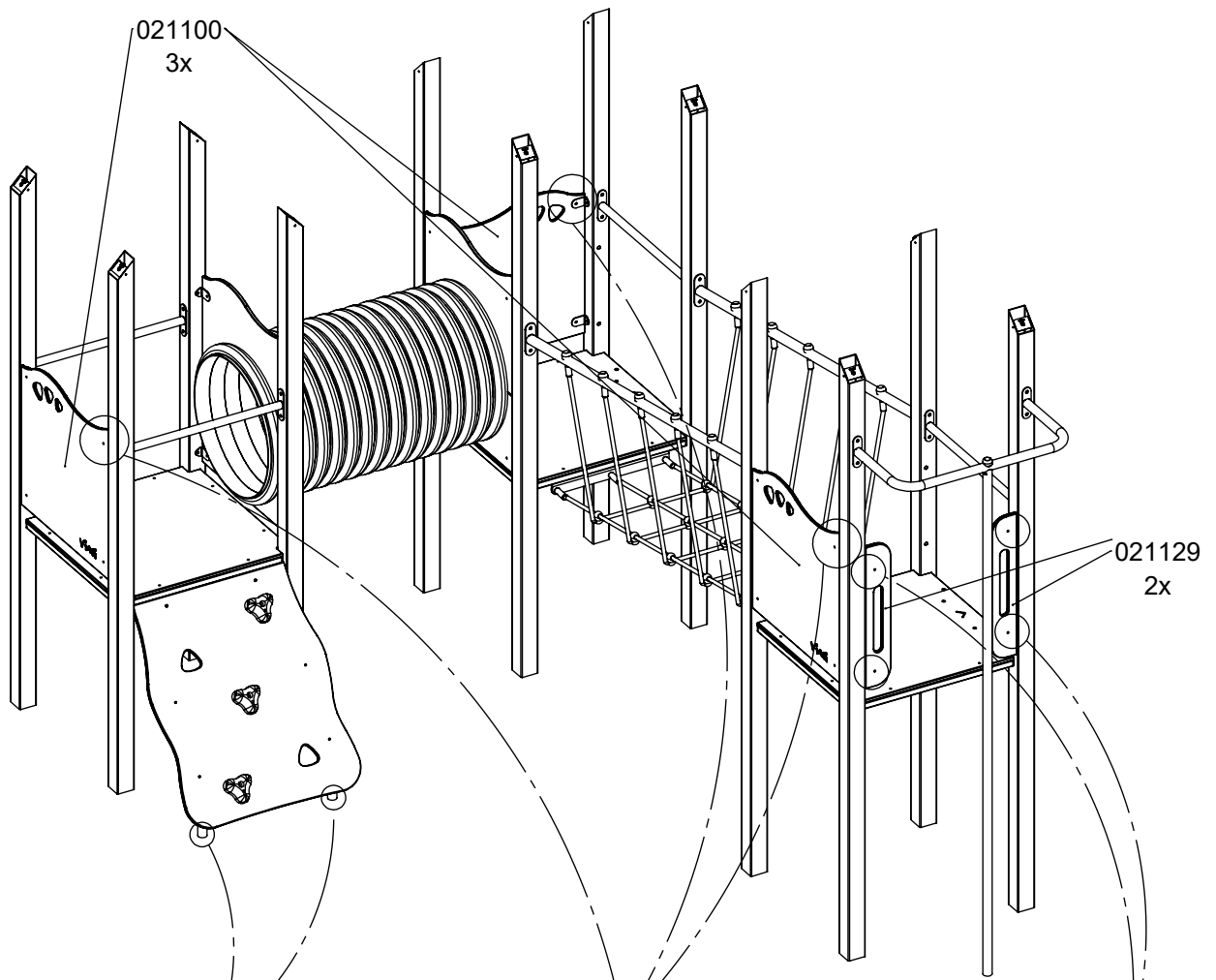
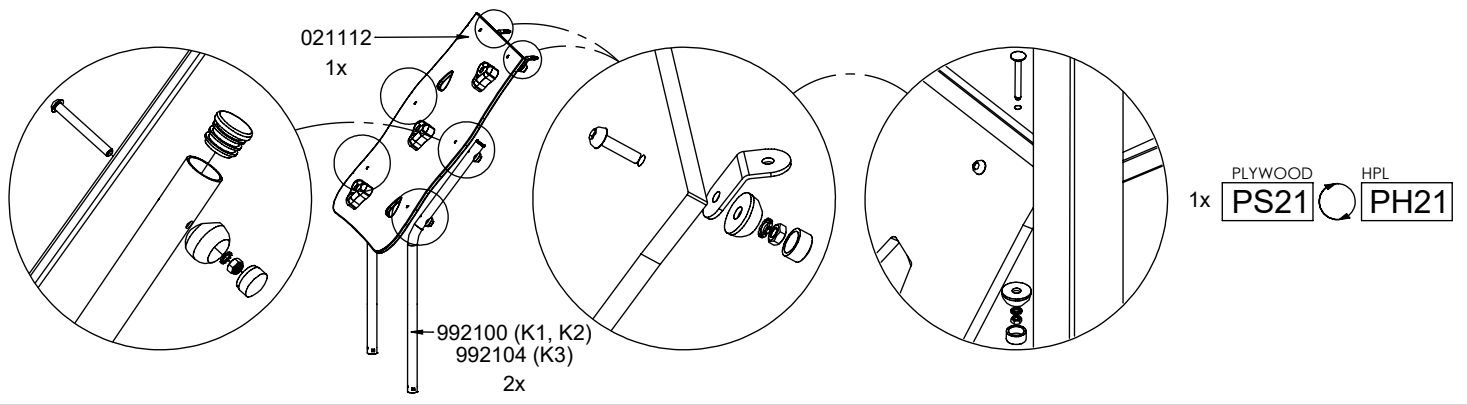
HDPE CE4 2x
HPL CL4



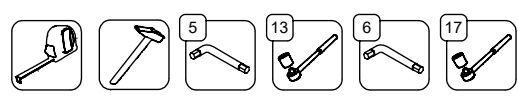
[cm]



vinci play

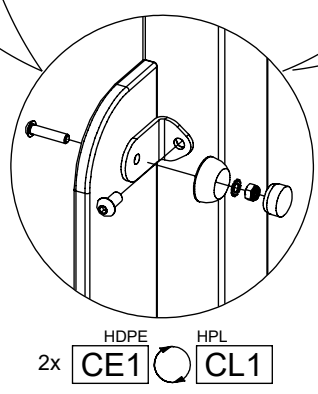
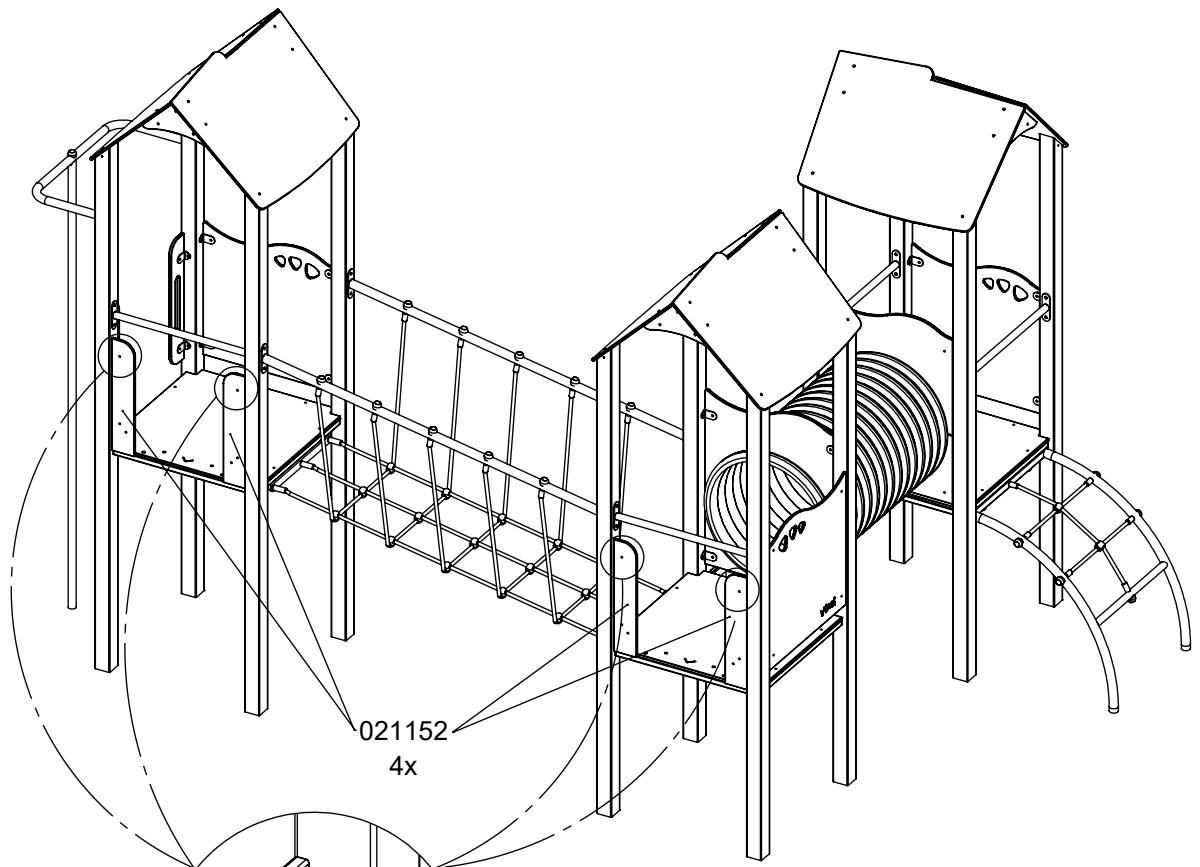
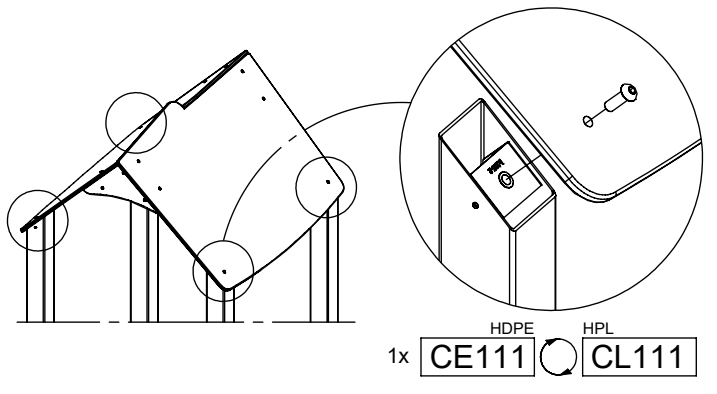
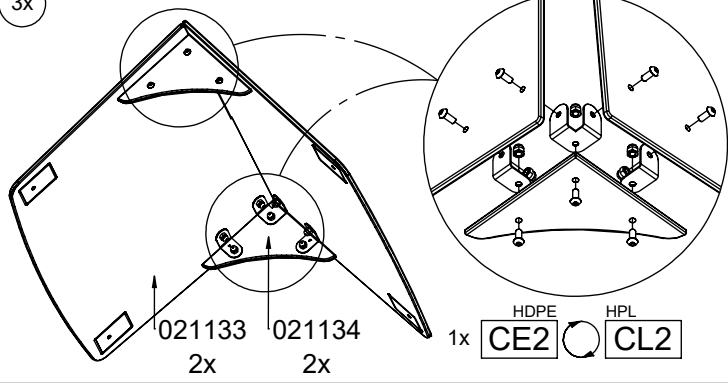


[cm]

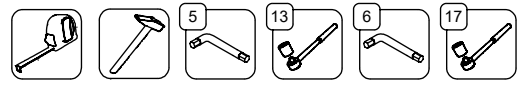


vinci
play

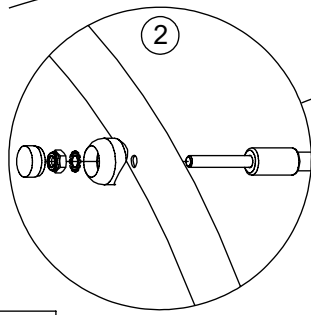
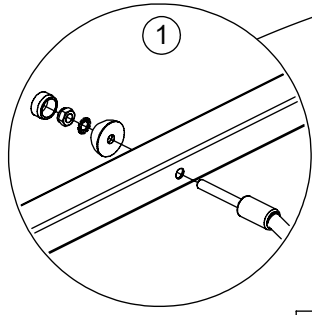
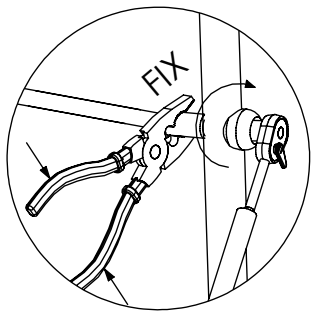
3x



[cm]



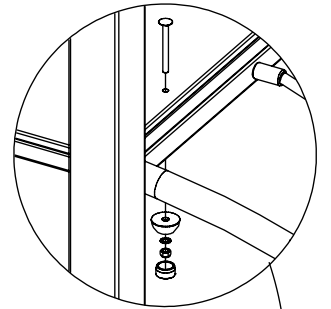
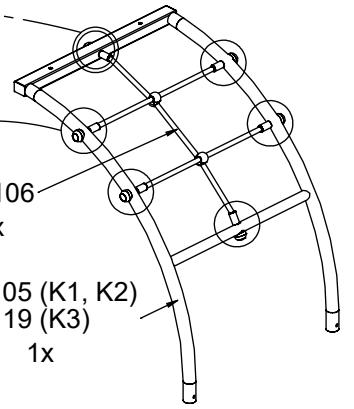
vinci play



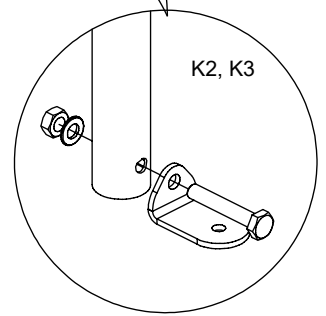
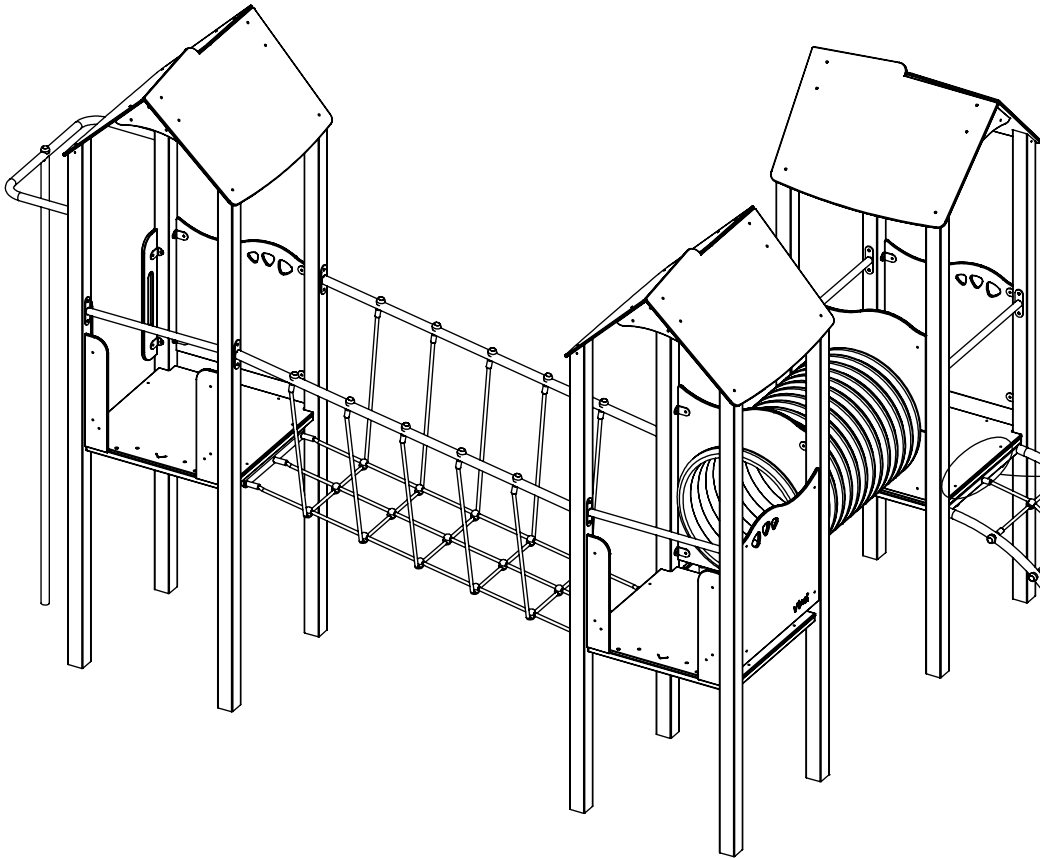
1x **E238**

025106
1x

022105 (K1, K2)
022119 (K3)
1x

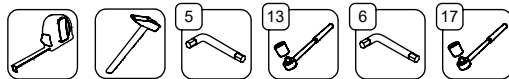


PLYWOOD 1x **E4** HPL **E5**

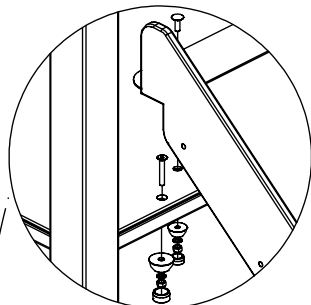


1x **E88**

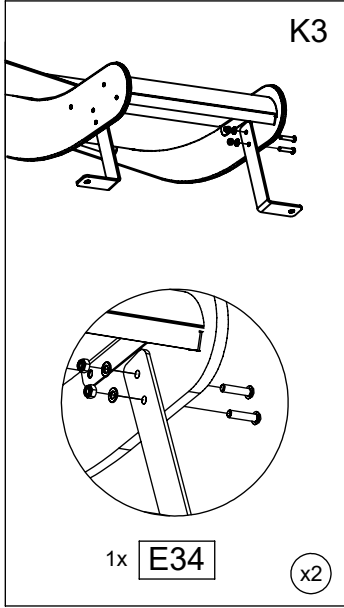
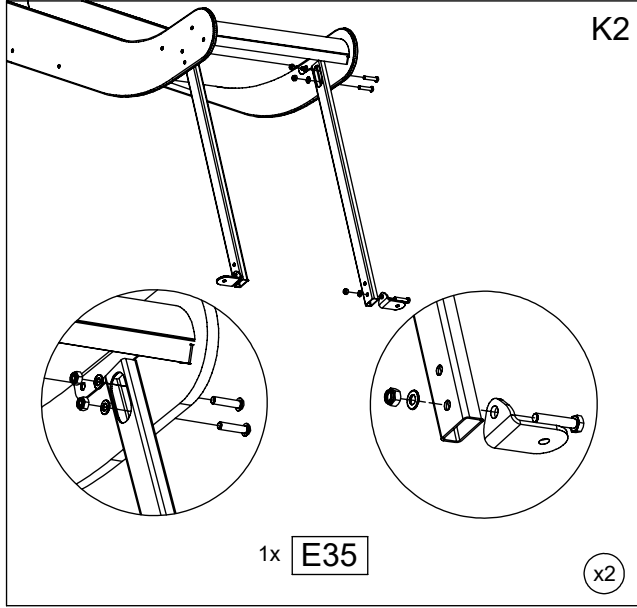
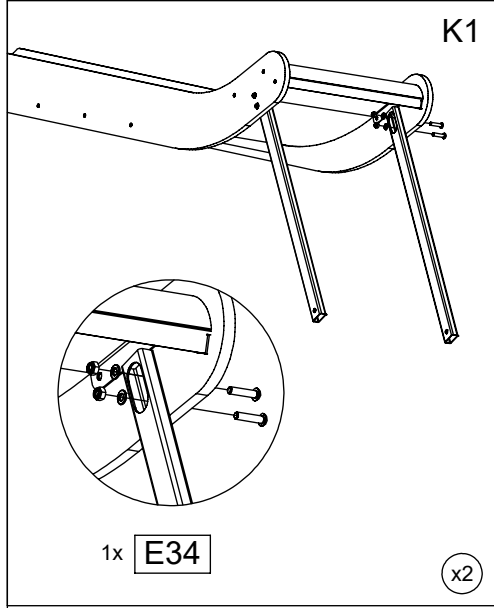
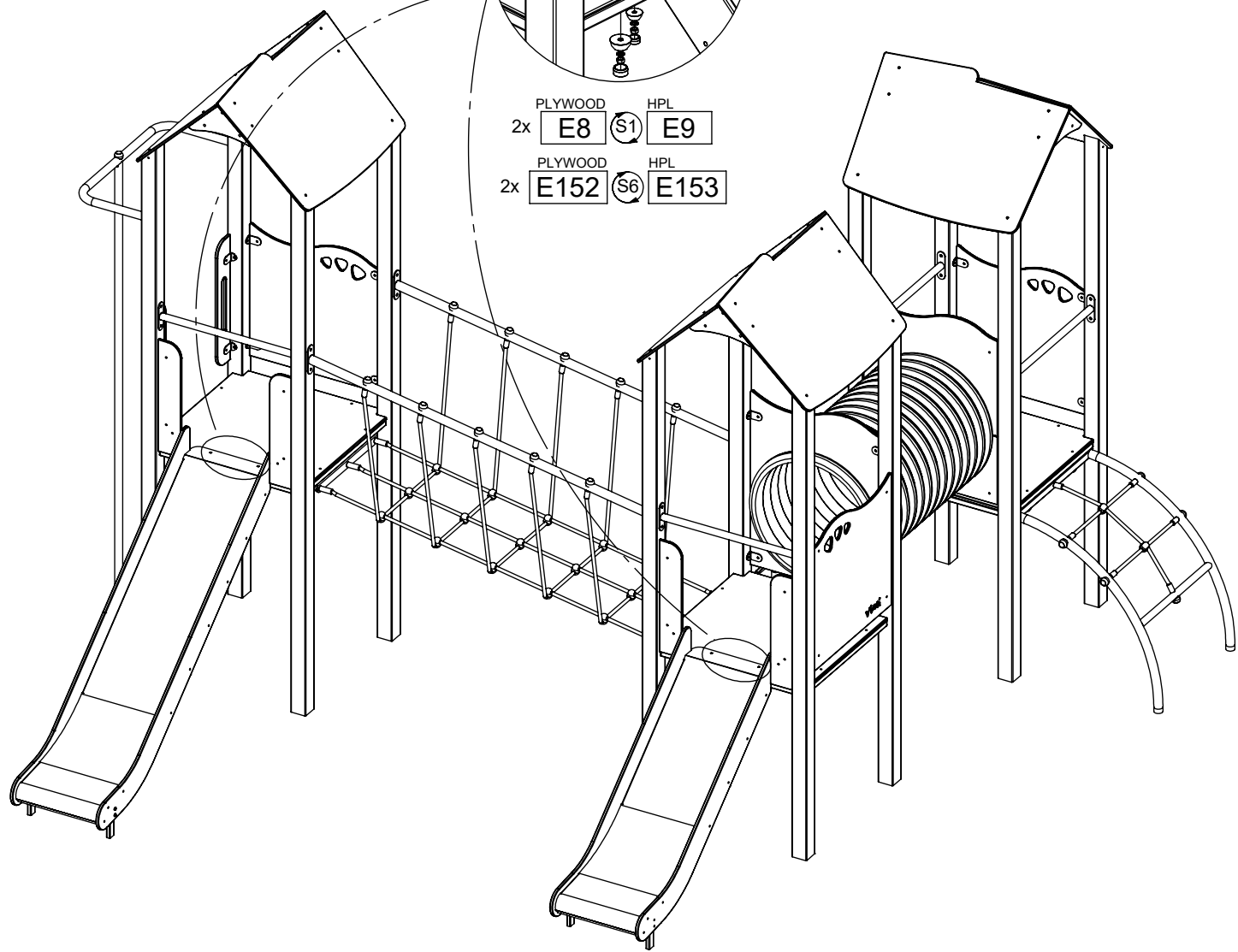
[cm]



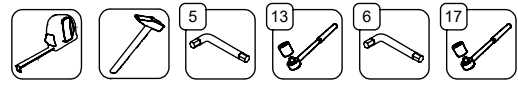
vinci
play



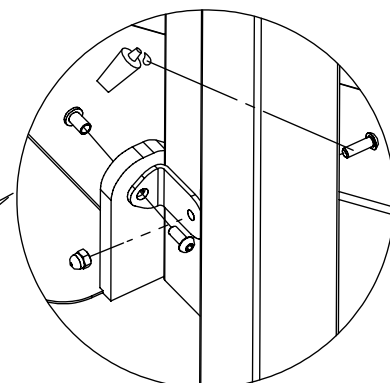
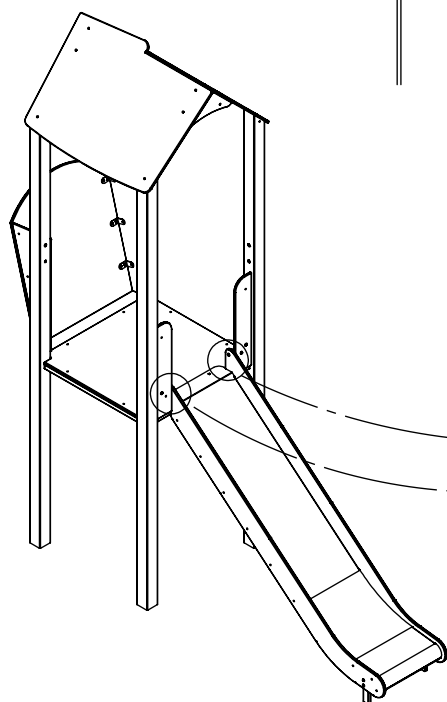
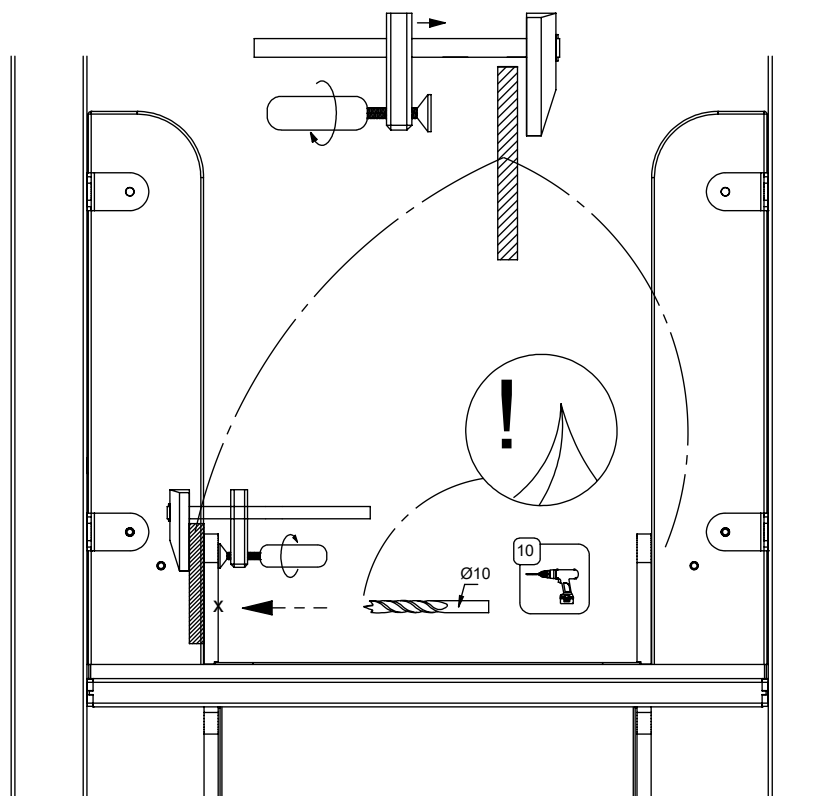
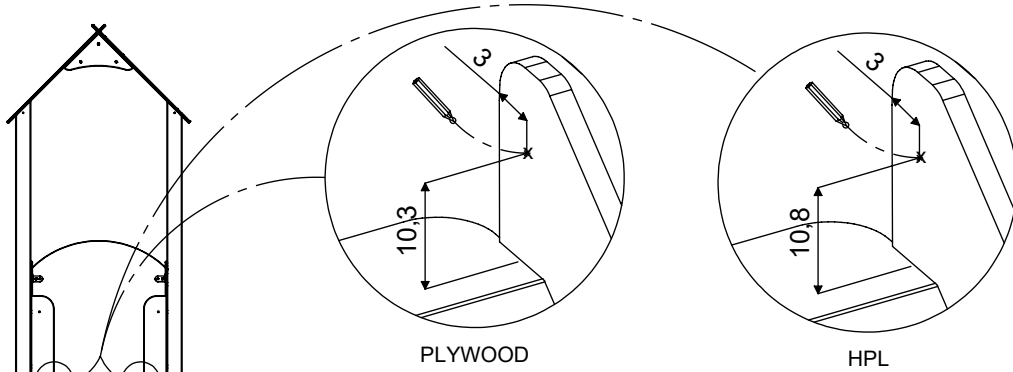
PLYWOOD 2x **E8** (S1) HPL **E9**
 PLYWOOD 2x **E152** (S6) HPL **E153**



[cm]



vinci play

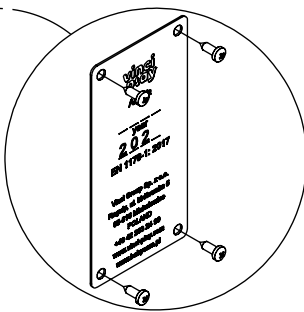
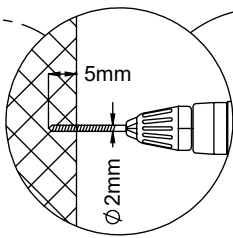
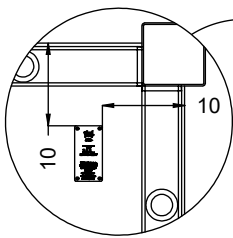
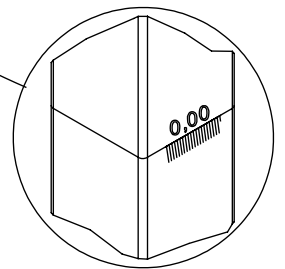
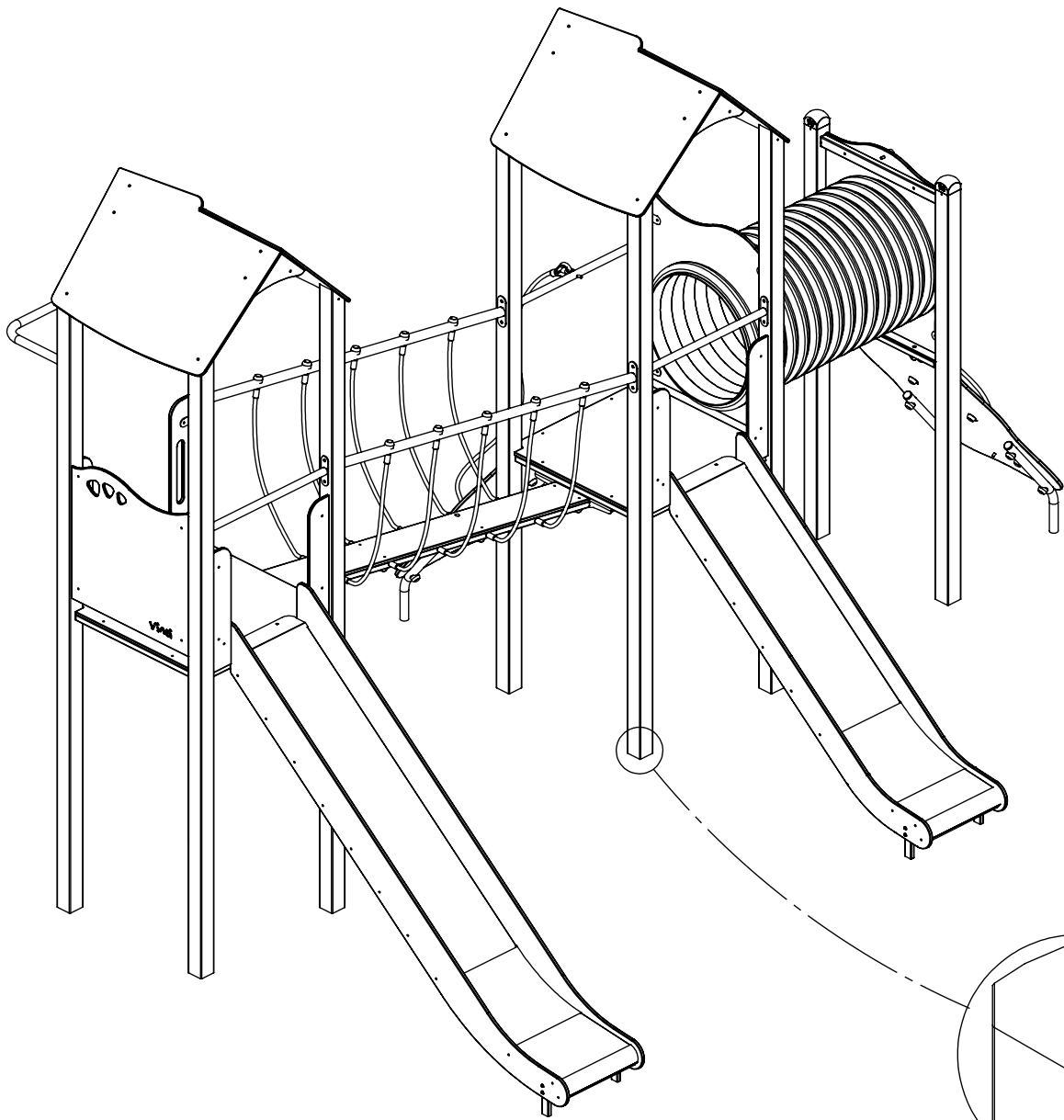


1x

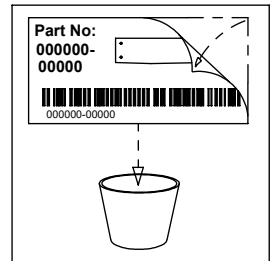
HDPE	HPL
CE31	CL31



[cm]



V001



[cm]



vinci
play