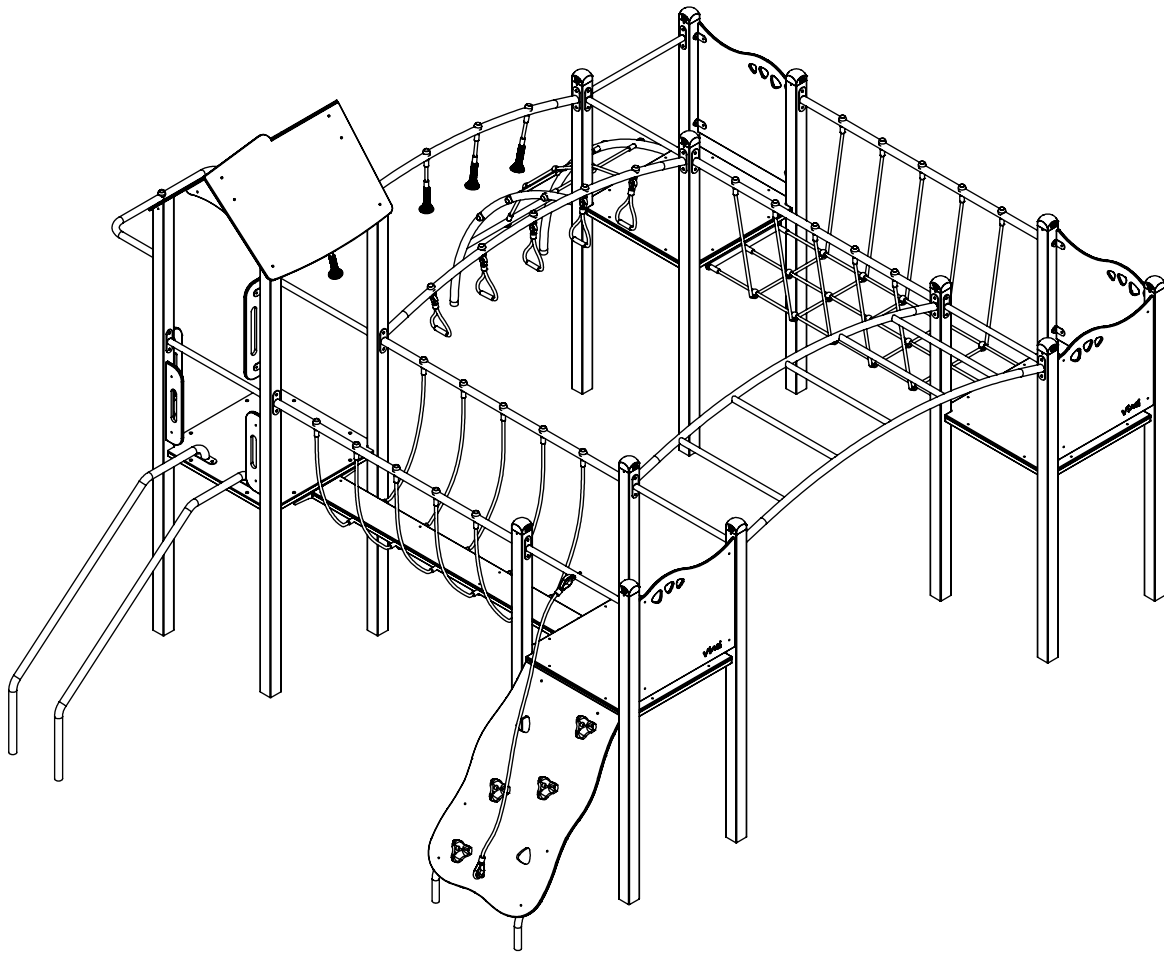
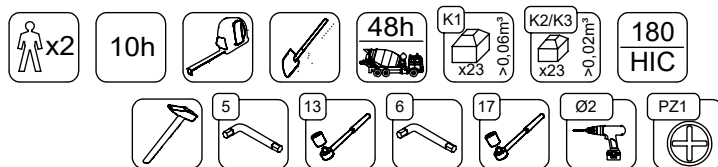


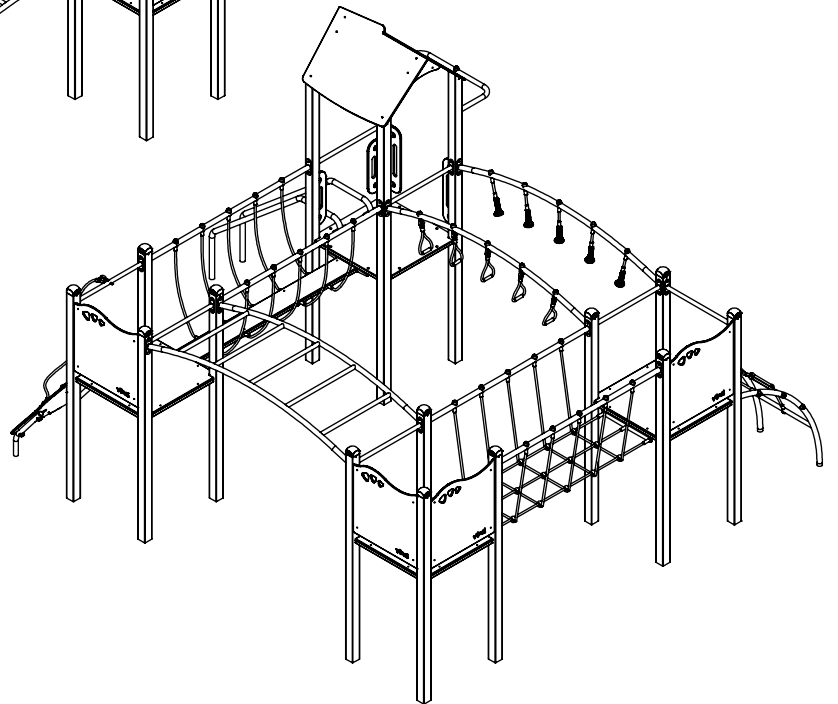
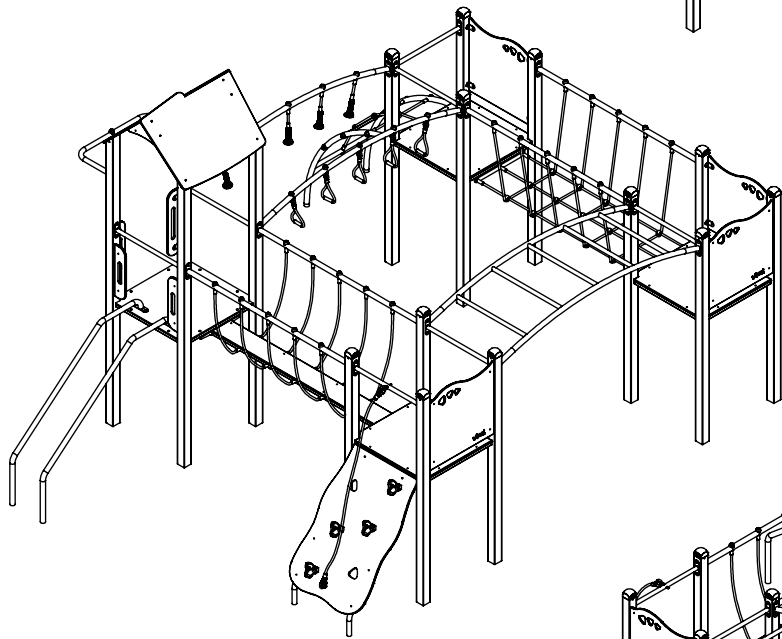
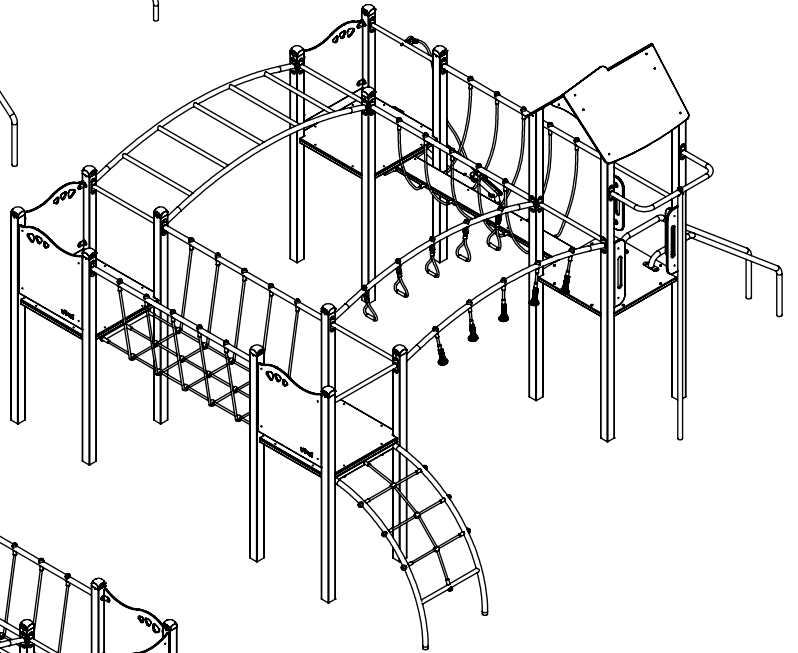
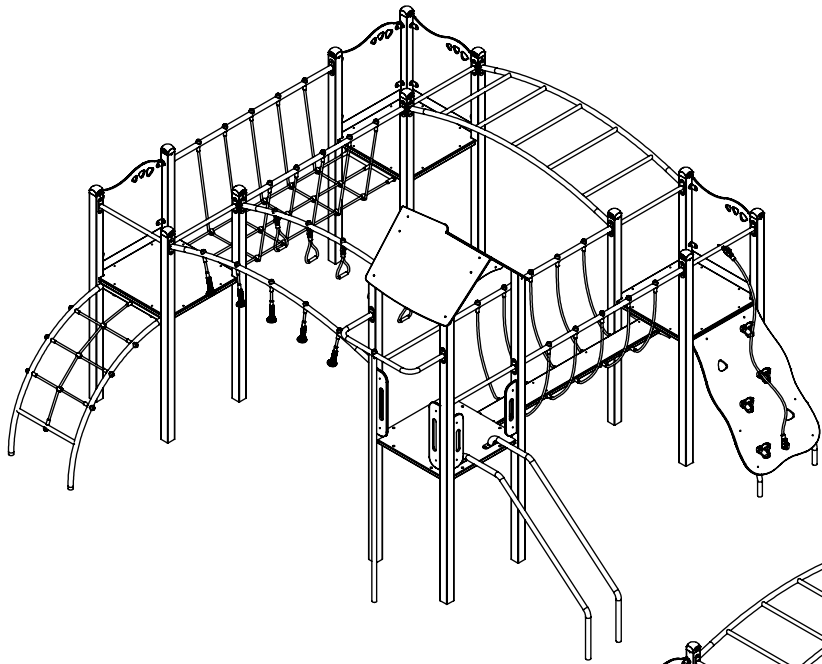
# 0206



v013  
17.05.2021  
A. P.  
[cm]

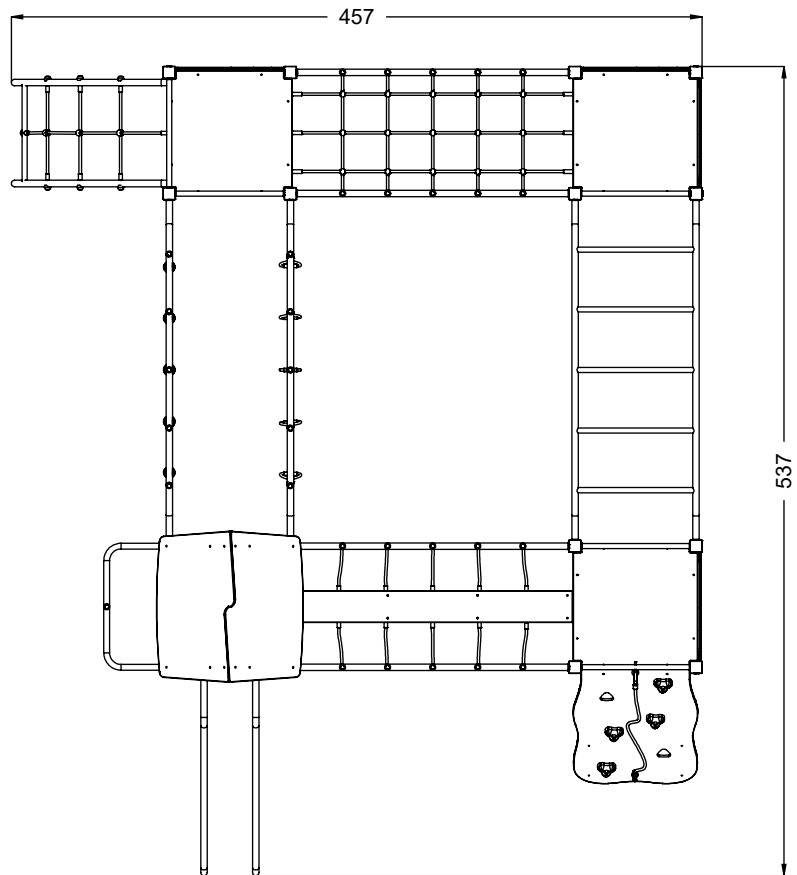
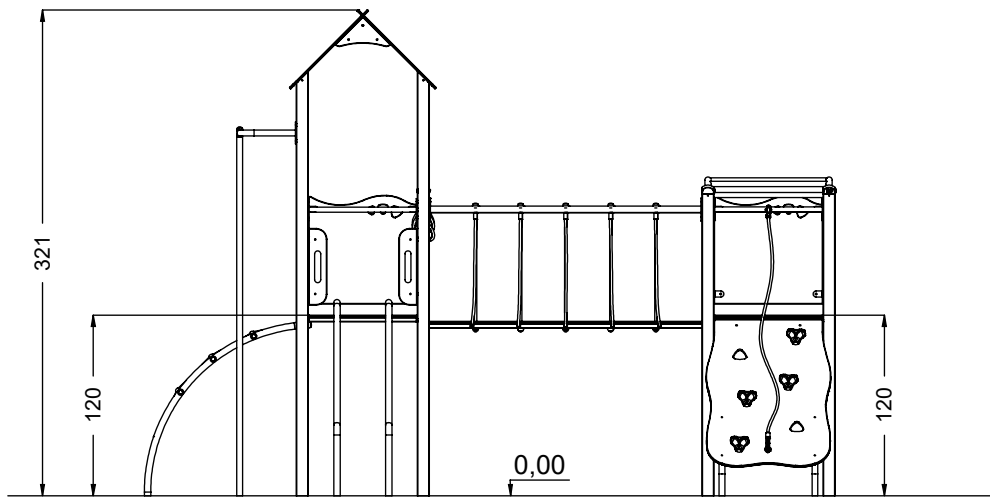


vinci  
play



[cm]

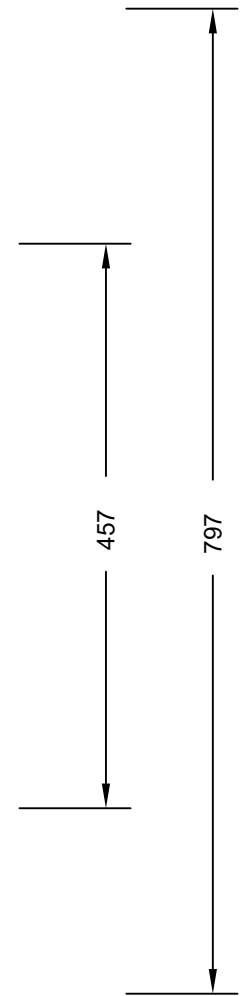
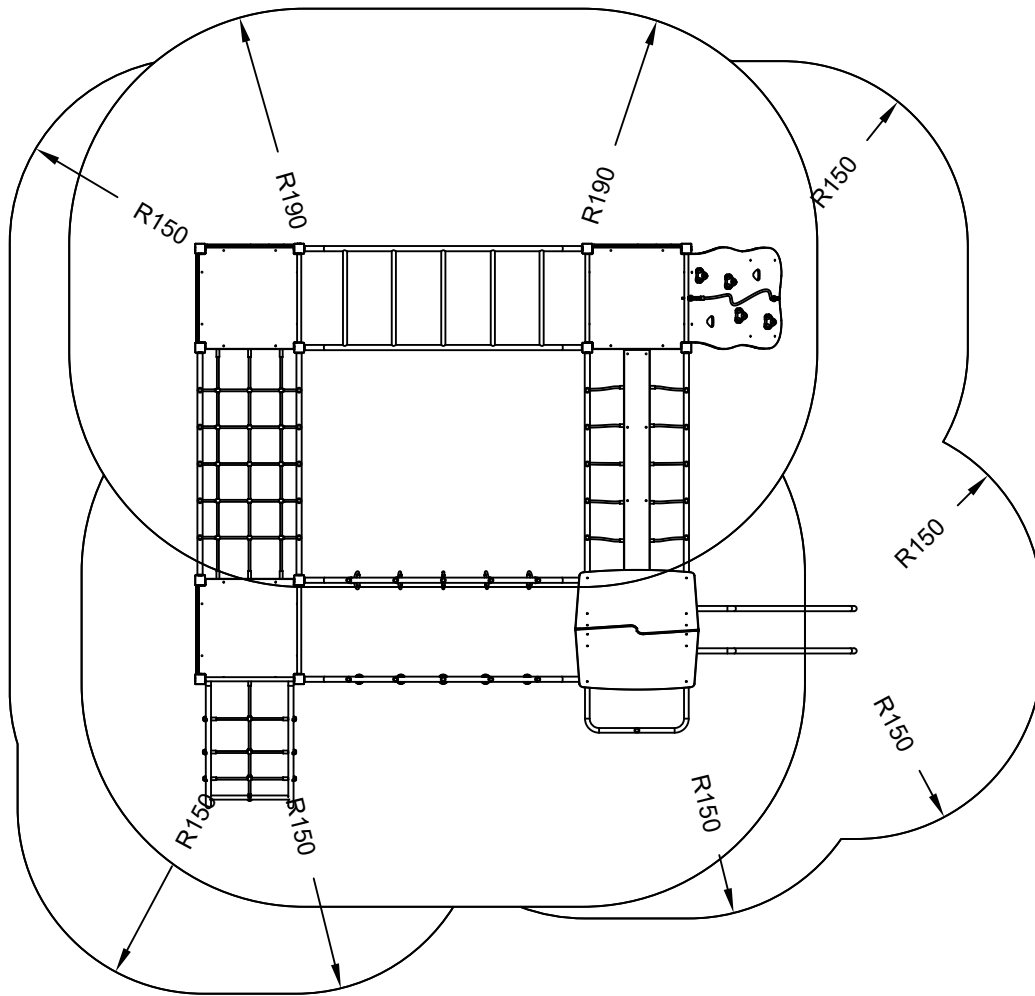
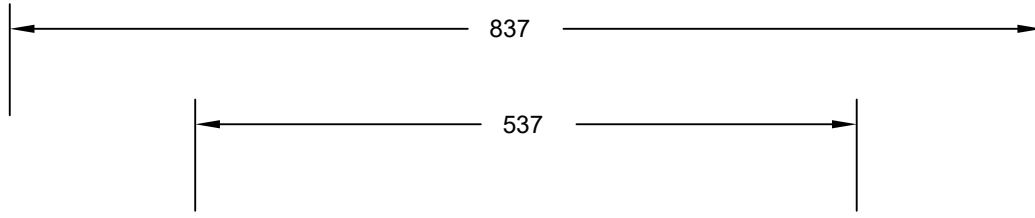
vinci  
play



[cm]



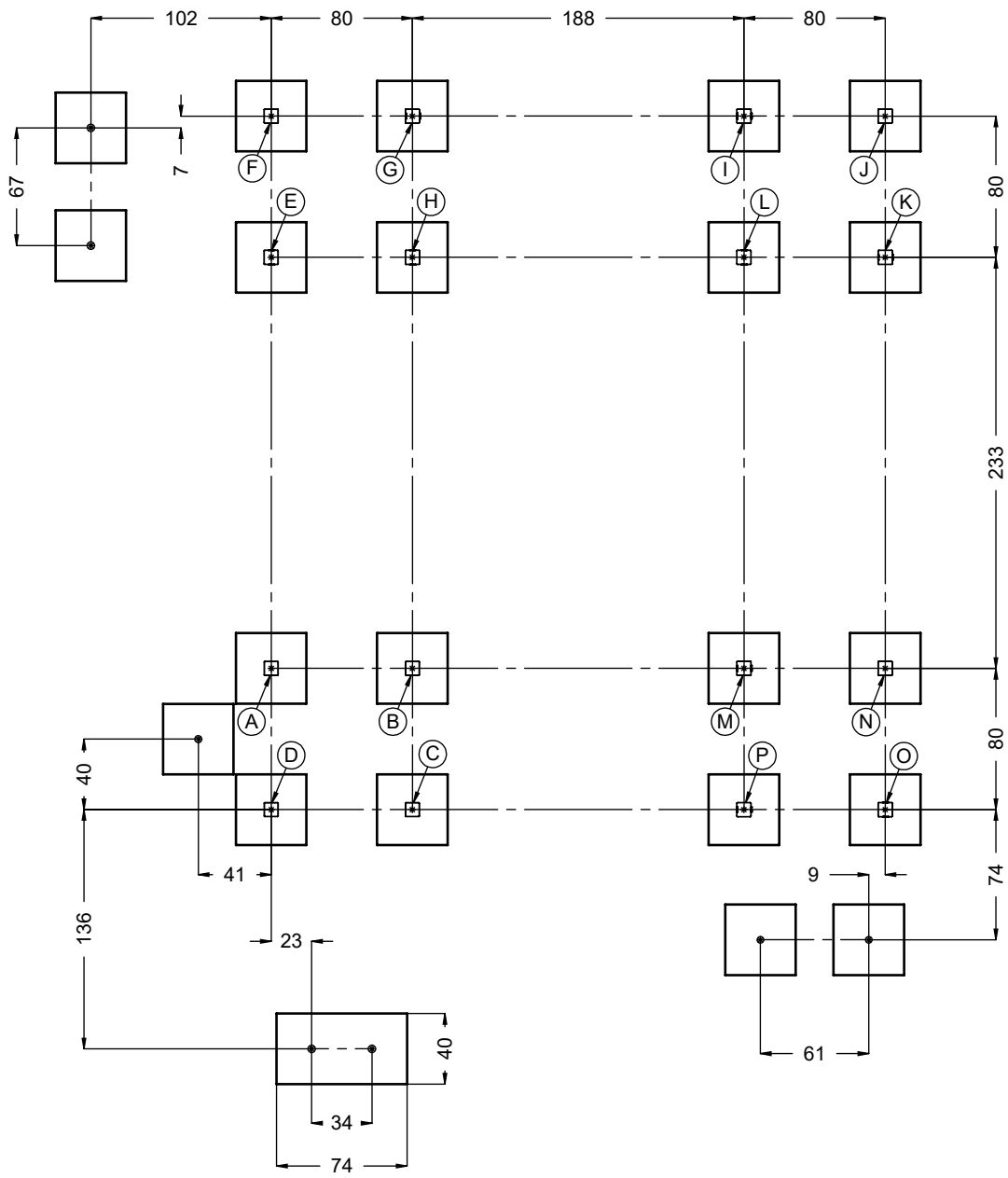
vinci  
play



[cm]



vinci  
play



[cm]



10h



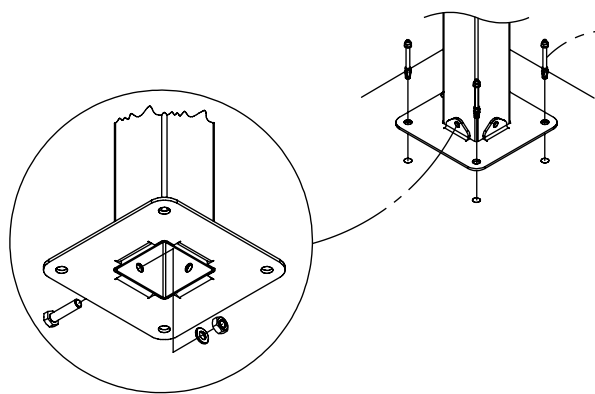
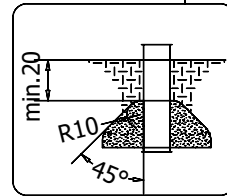
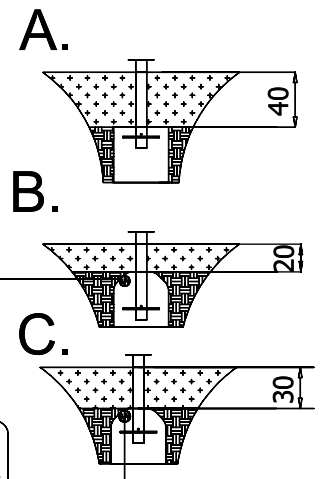
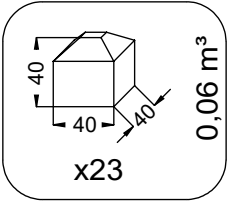
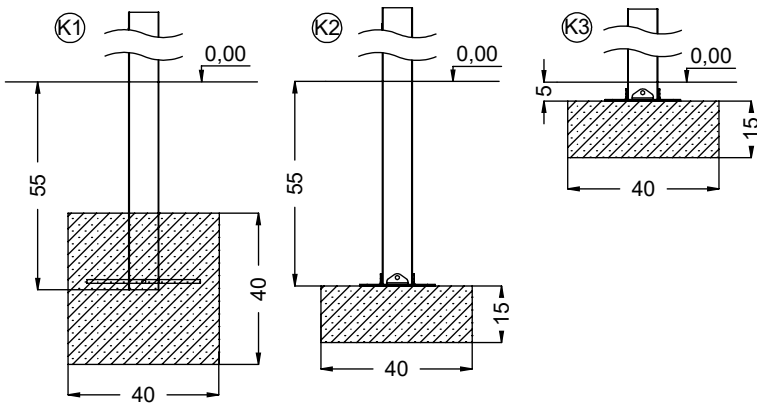
48h





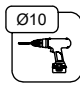



K1  
x23 >0.06m³

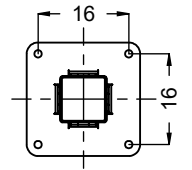
K2/K3  
x23 >0.02m³

vinci play



E37

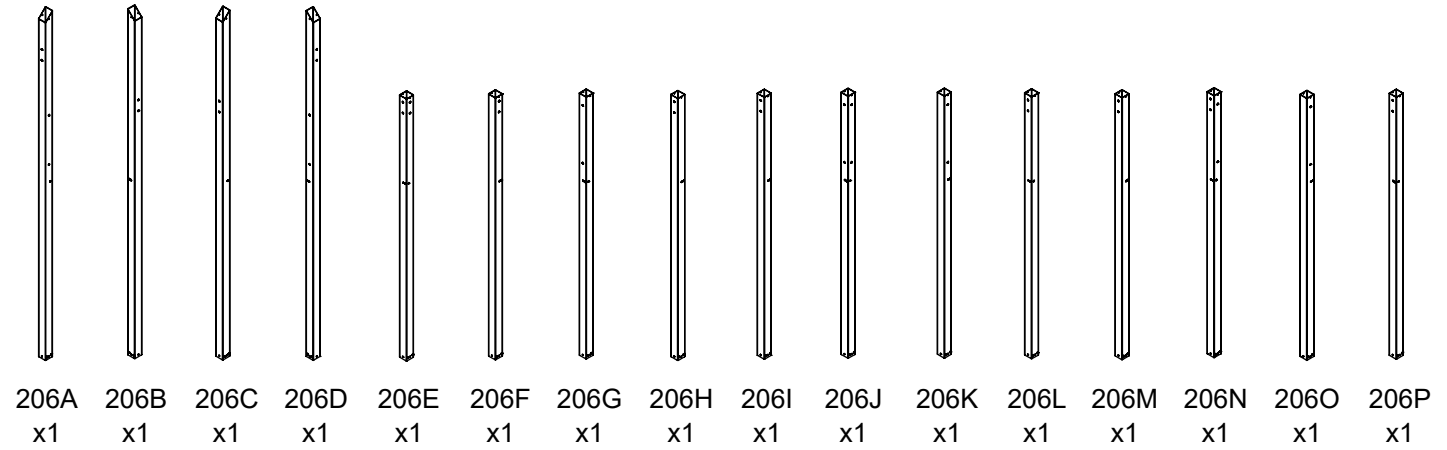
64x M10x120 (K2)	8x M8x120 (K2)
64x M10x120 (K3)	12x M8x120 (K3)
	
	
<b>NOT INCLUDED</b>	<b>NOT INCLUDED</b>
	



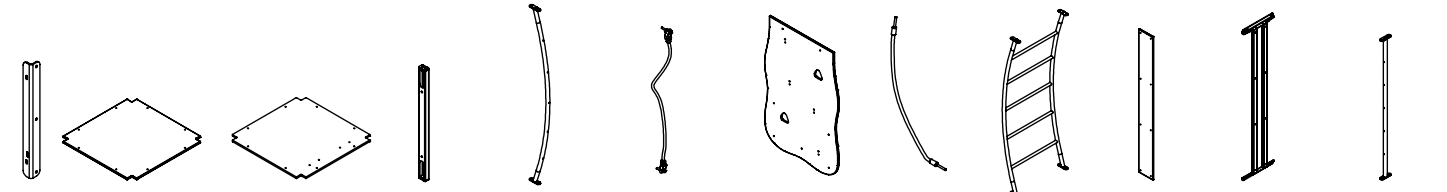
[cm]

 x2   
  10h   
    
    
  48h   
  K1 x23 >0.06m³   
  K2/K3 x23 >0.02m³

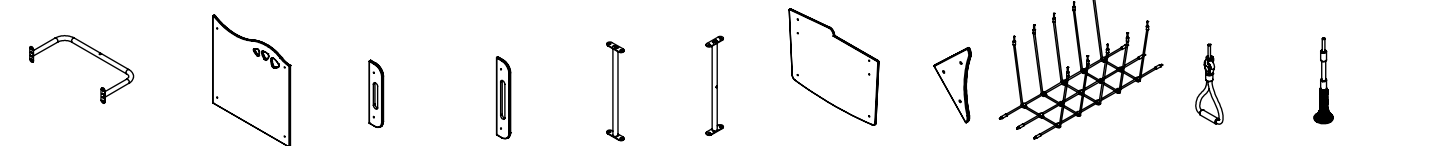
vinci play



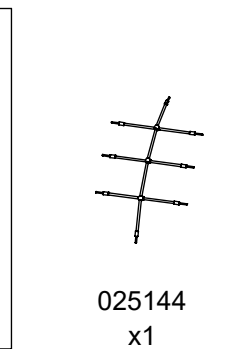
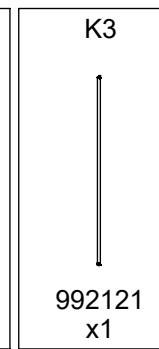
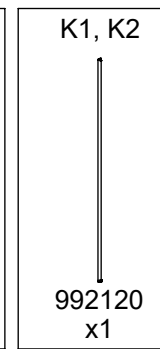
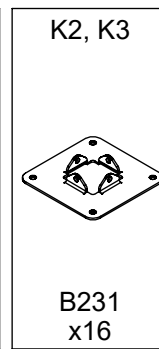
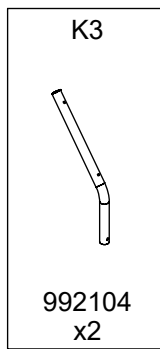
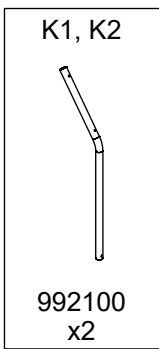
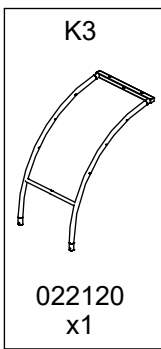
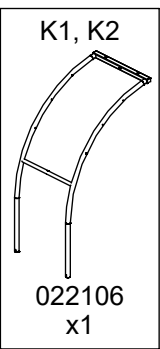
206A x1 206B x1 206C x1 206D x1 206E x1 206F x1 206G x1 206H x1 206I x1 206J x1 206K x1 206L x1 206M x1 206N x1 206O x1 206P x1



B144 x2 021101 x3 021103 x1 022100 x16 022111 x2 025146 x1 021135 x1 025100 x10 992103 x1 021136 x1 022134 x1 022135 x4



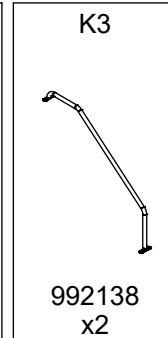
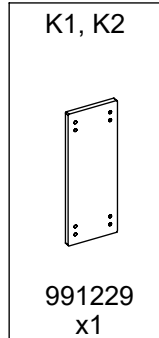
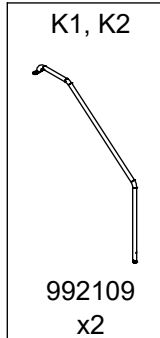
022150 x1 021100 x4 021110 x2 021129 x2 022102 x6 022103 x1 021133 x2 021134 x2 025109 x1 995132 x5 995131 x5



ST/INOX	
1x	E44 (K1)
1x	E80 (K2)
2x	E88 (K2, K3)
1x	E38 (K2, K3)
	E37 (K2, K3)
1x	E51
1x	E78
2x	E28
16x	E1
4x	E3
1x	E39
1x	E239
1x	V001

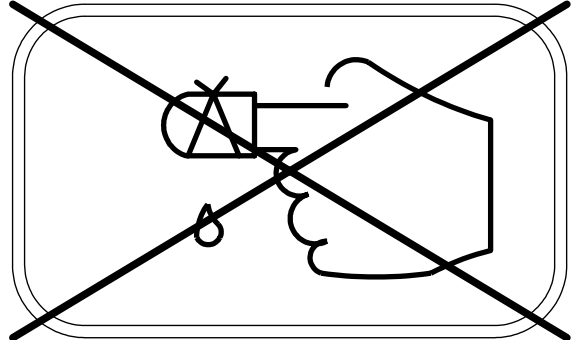
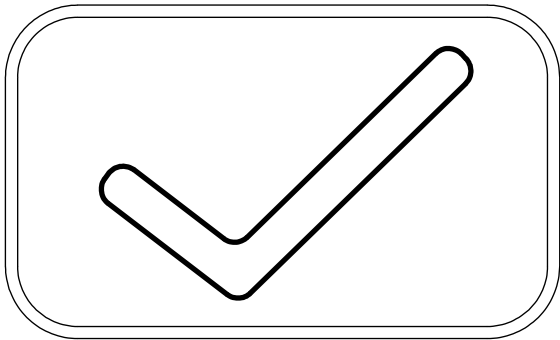
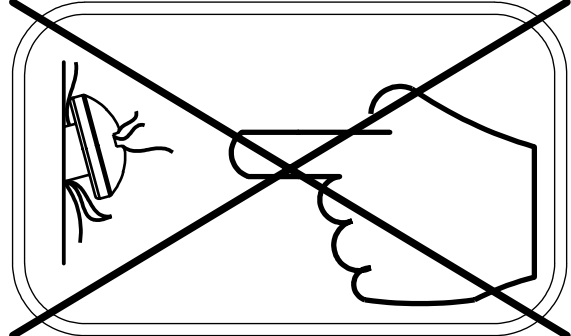
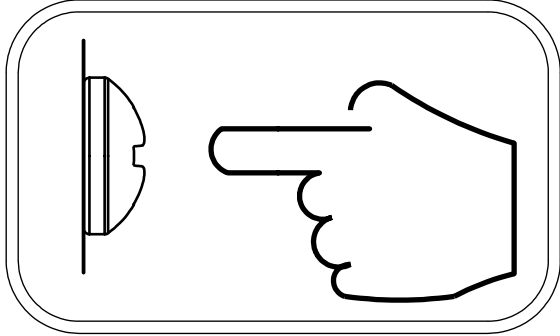
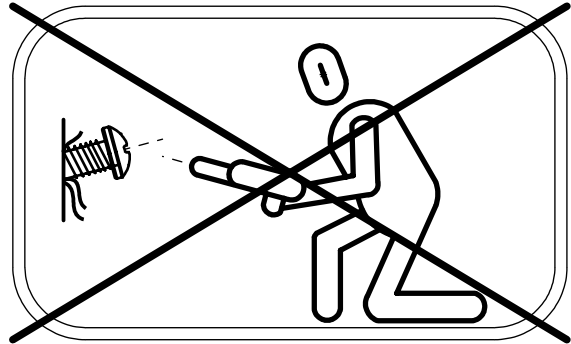
PLYWOOD / HDPE	
1x	PS21
2x	PS31
1x	CE2
1x	E4
4x	CE1
2 x	CE4
1x	PS22
2x	PS2
2x	PS3
1x	E6
1x	CE111

HPL	
1x	PH21
2x	PH31
1x	CL2
1x	E5
4x	CL1
2 x	CL4
1x	PH22
2x	PH2
2x	PH3
1x	E7
1x	CL111

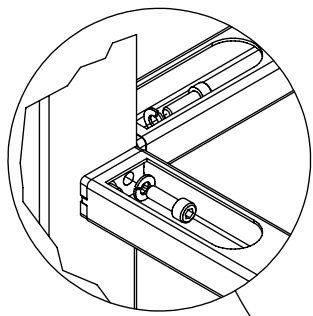


[cm]



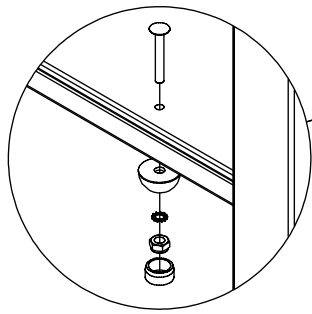
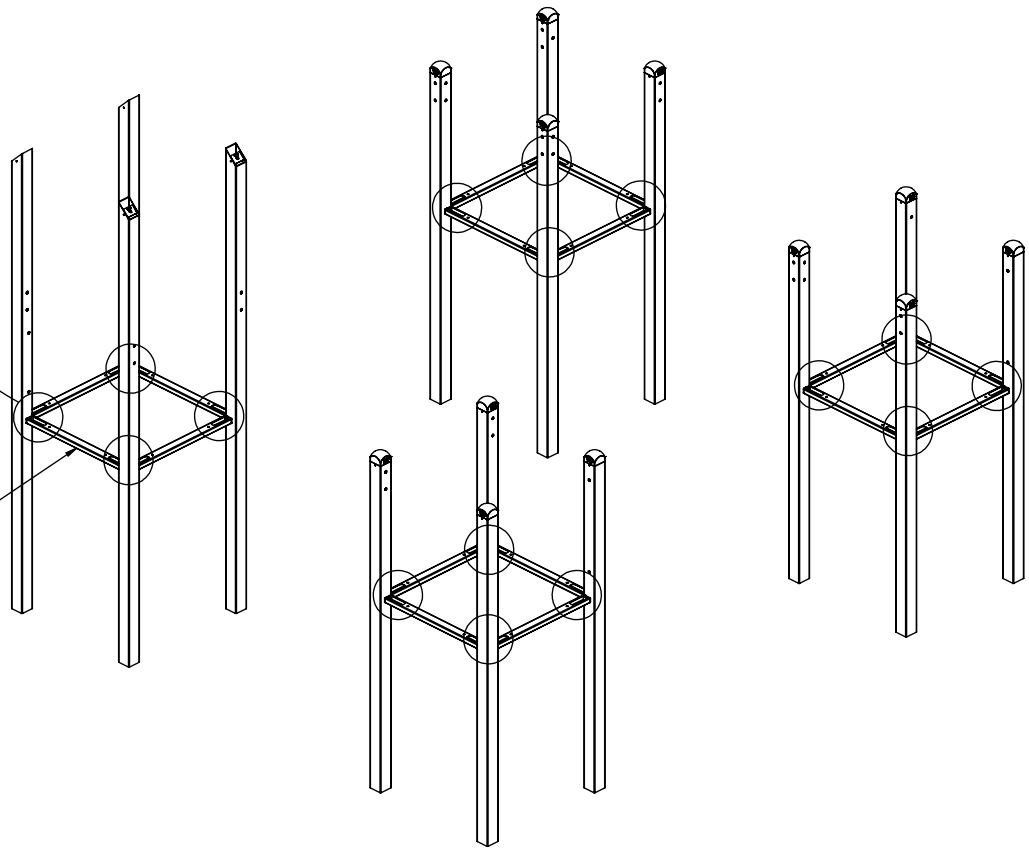






4x **E3**

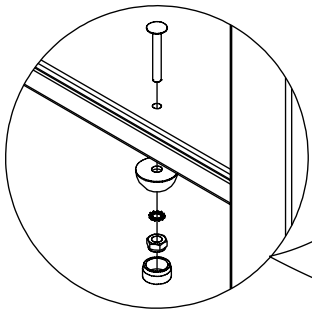
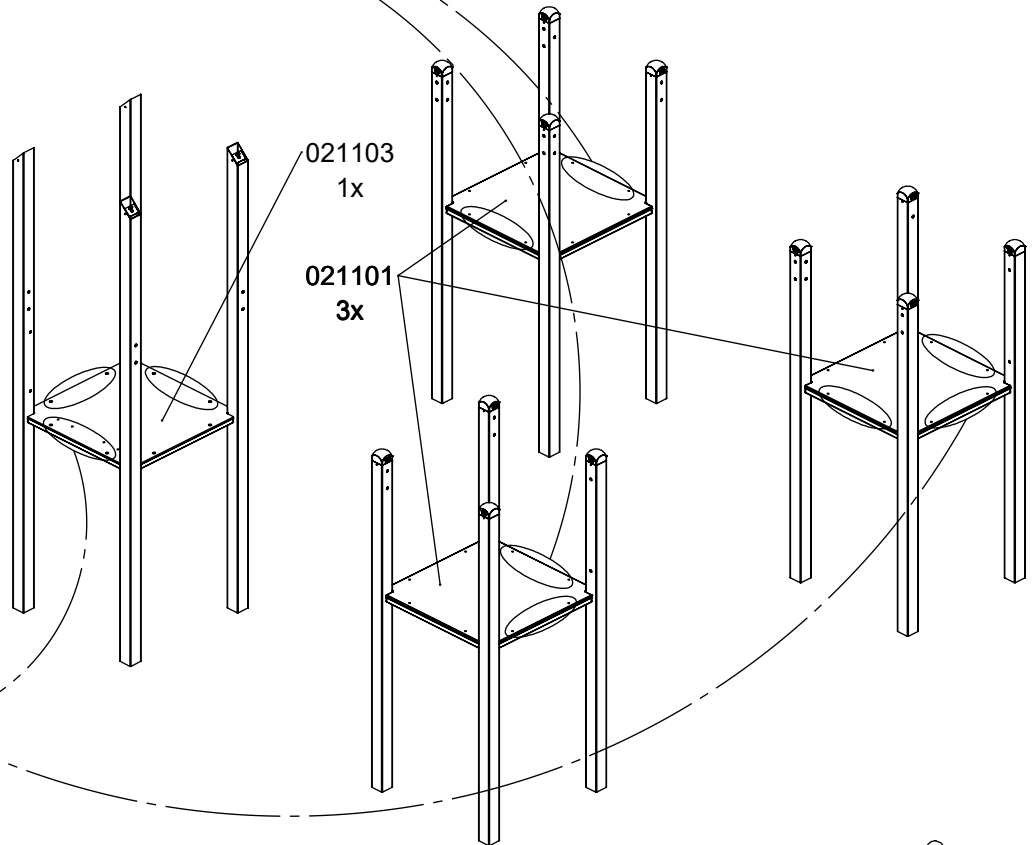
022100  
16x



PLYWOOD HPL  
2x **PS2** **PH2**

021103  
1x

021101  
3x

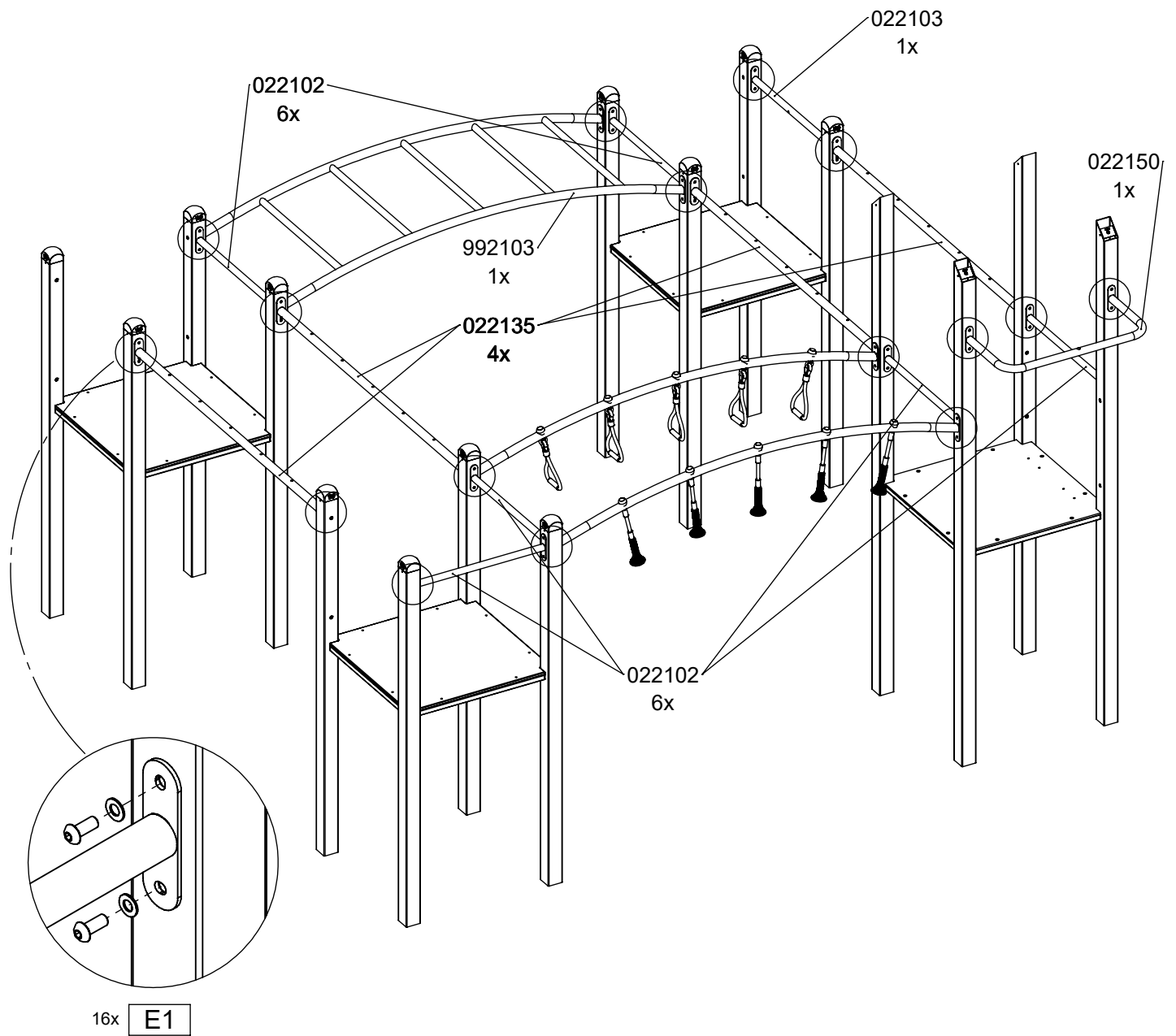
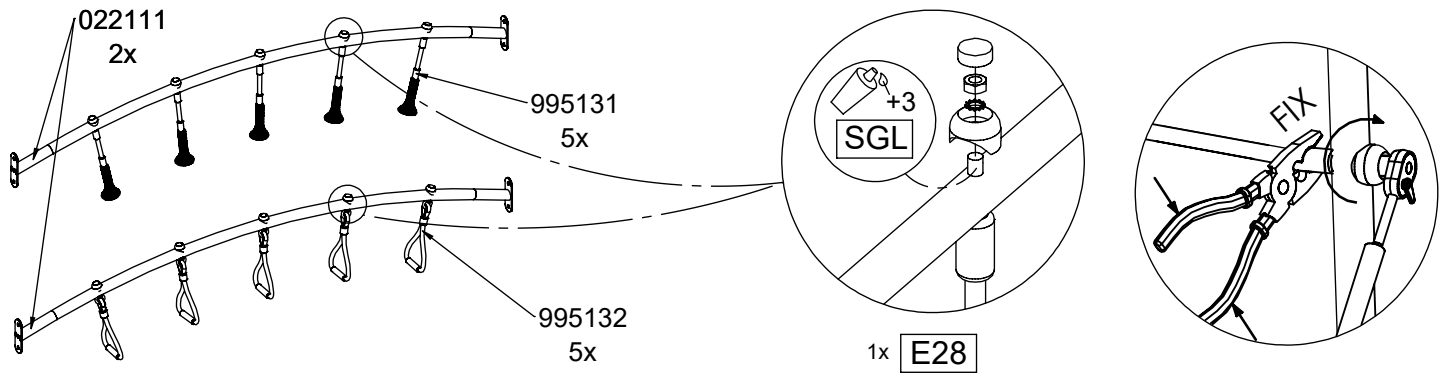


PLYWOOD HPL  
2x **PS3** **PH3**

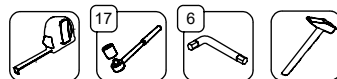
[cm]



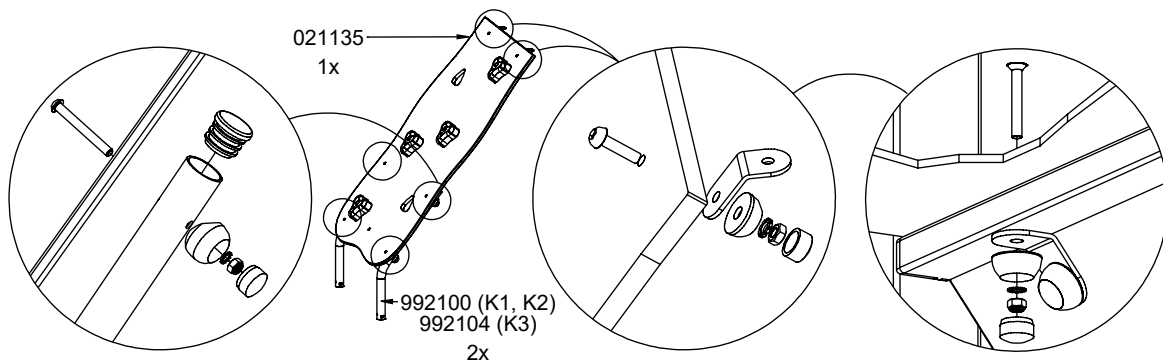
vinci  
play



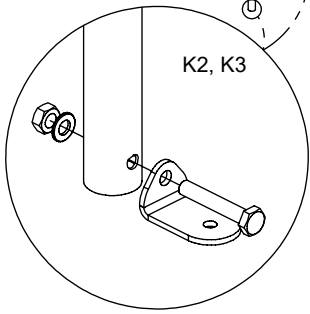
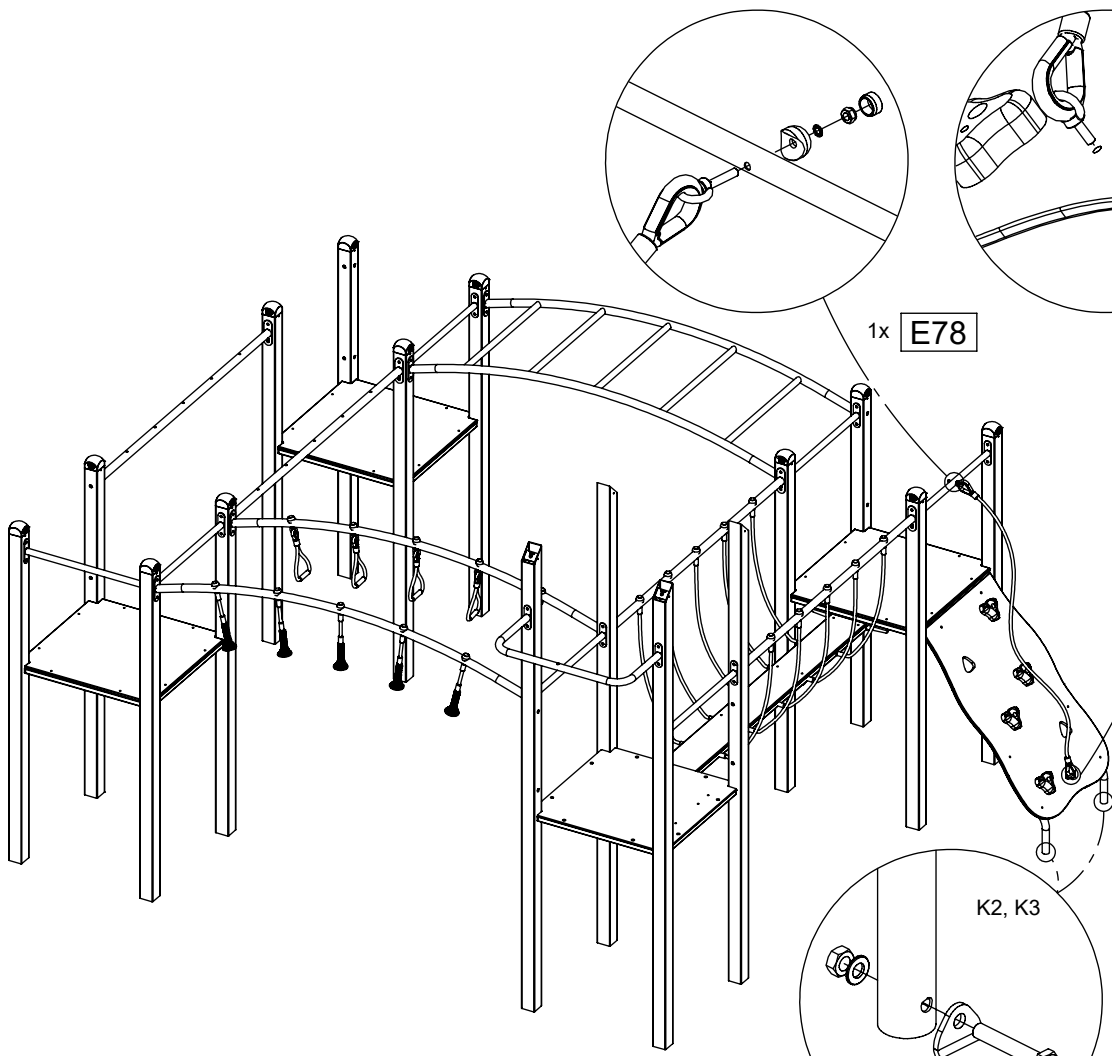
[cm]



vinci  
play

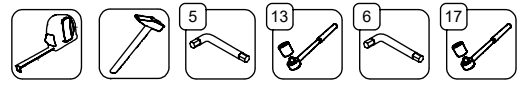


PLYWOOD PS21 HPL PH21

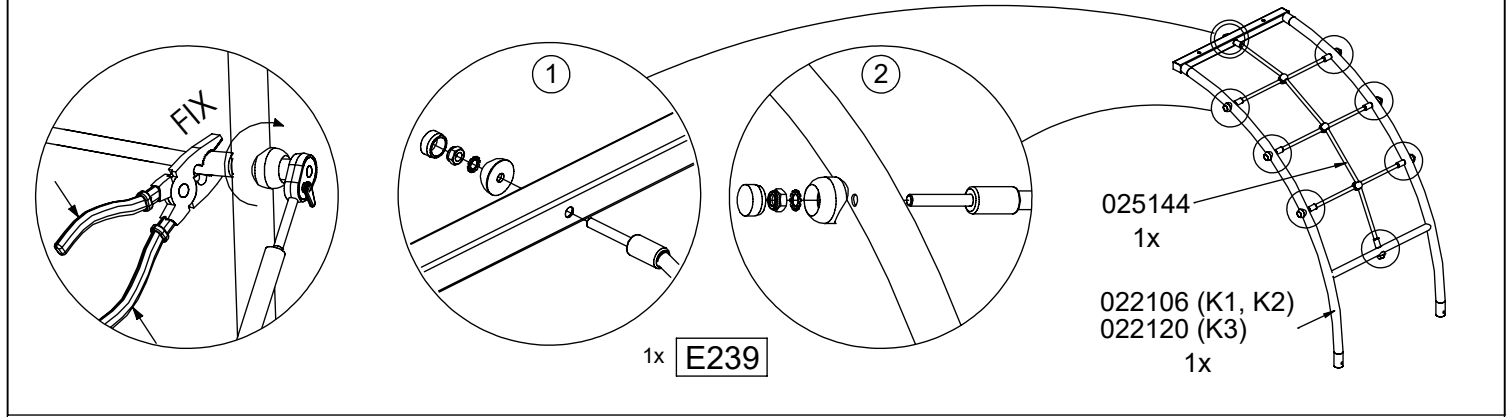
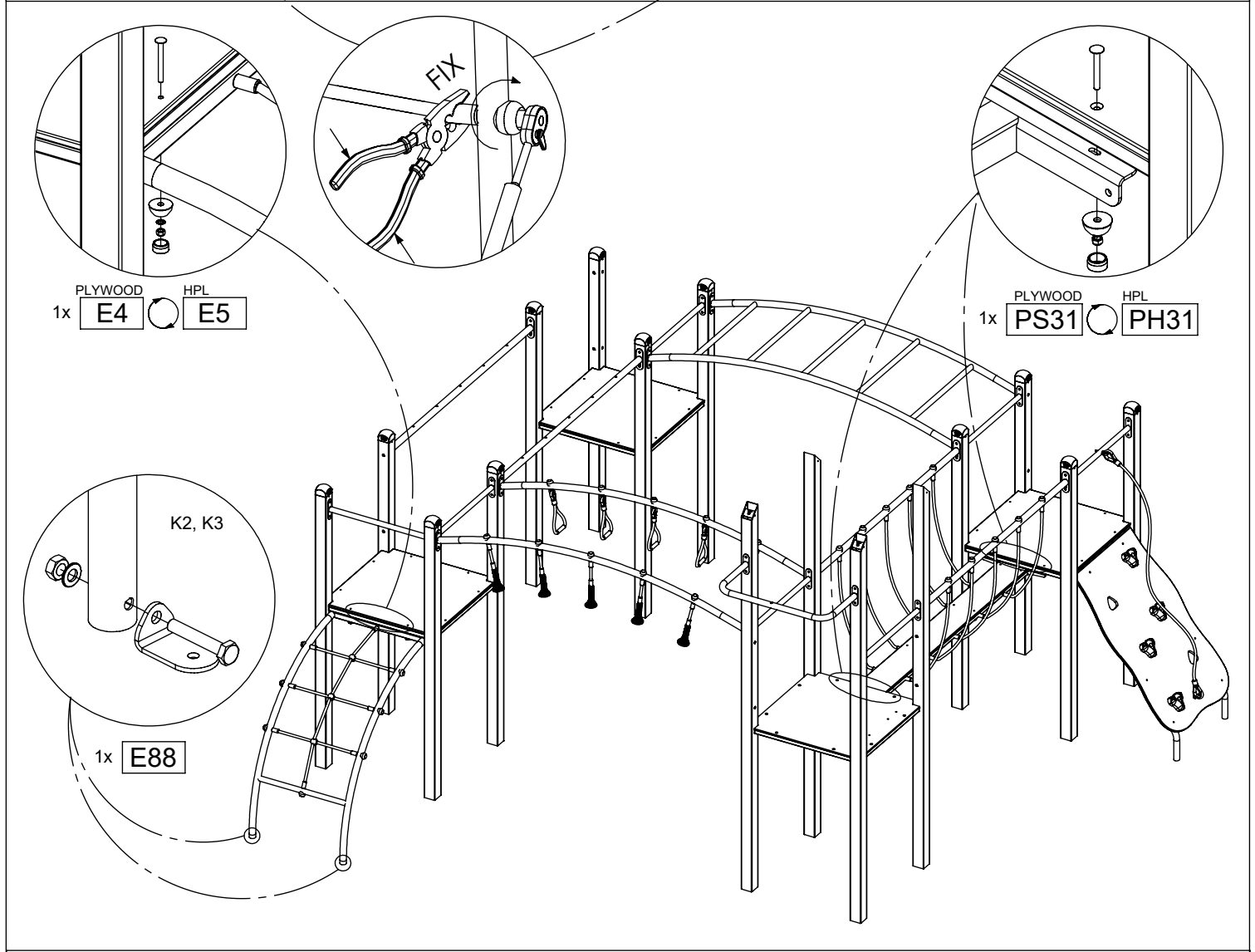
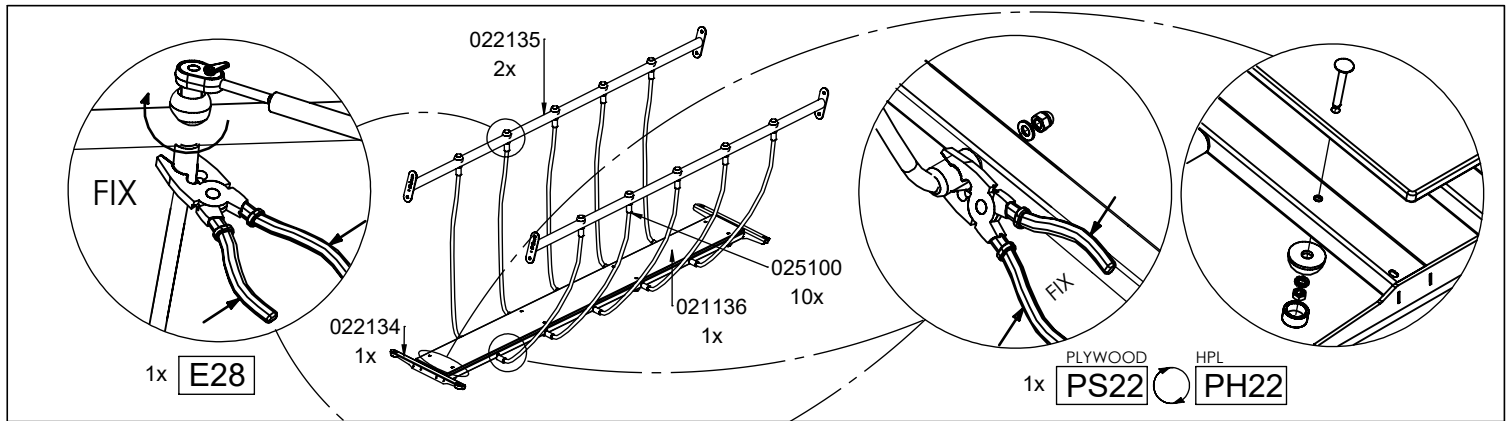


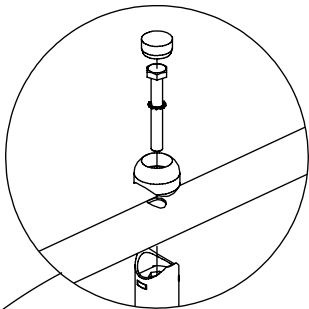
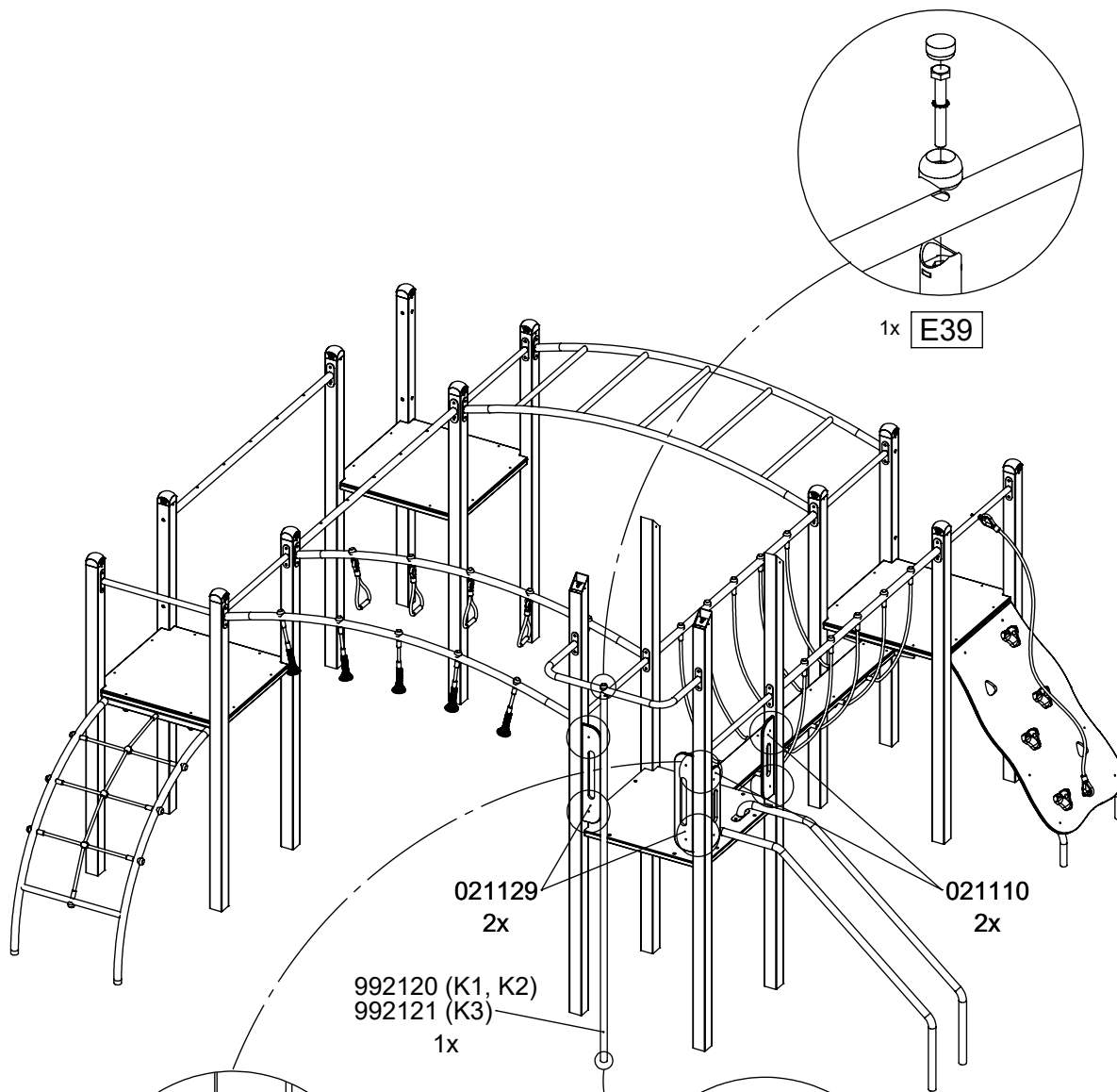
1x E88

[cm]



vinci play



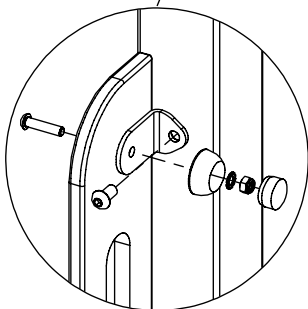


1x **E39**

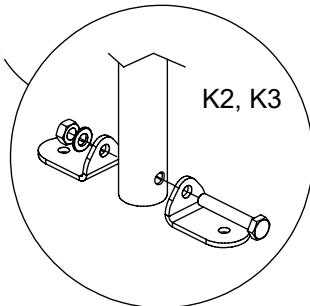
021129  
2x

021110  
2x

992120 (K1, K2)  
992121 (K3)  
1x

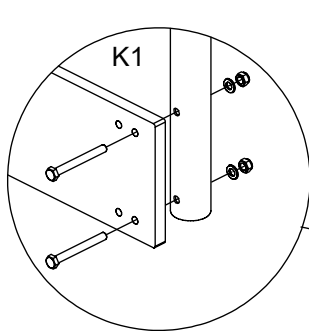


2x **CE4** **CL4**

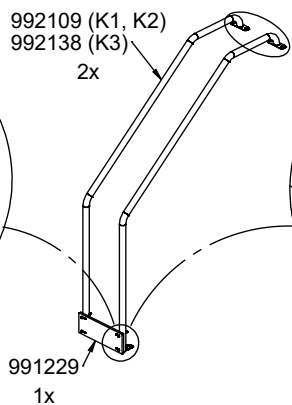


1x **E38**

K2, K3

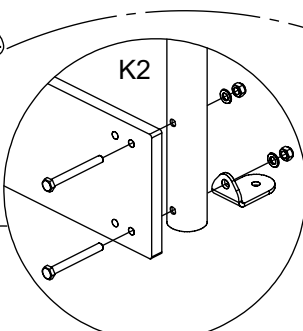


1x **E44**



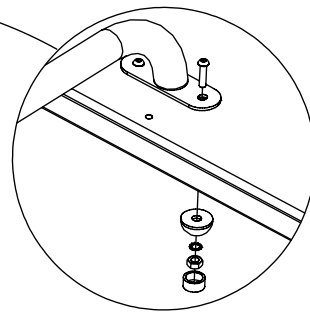
992109 (K1, K2)  
992138 (K3)  
2x

991229  
1x



1x **E80**

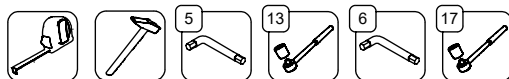
K2



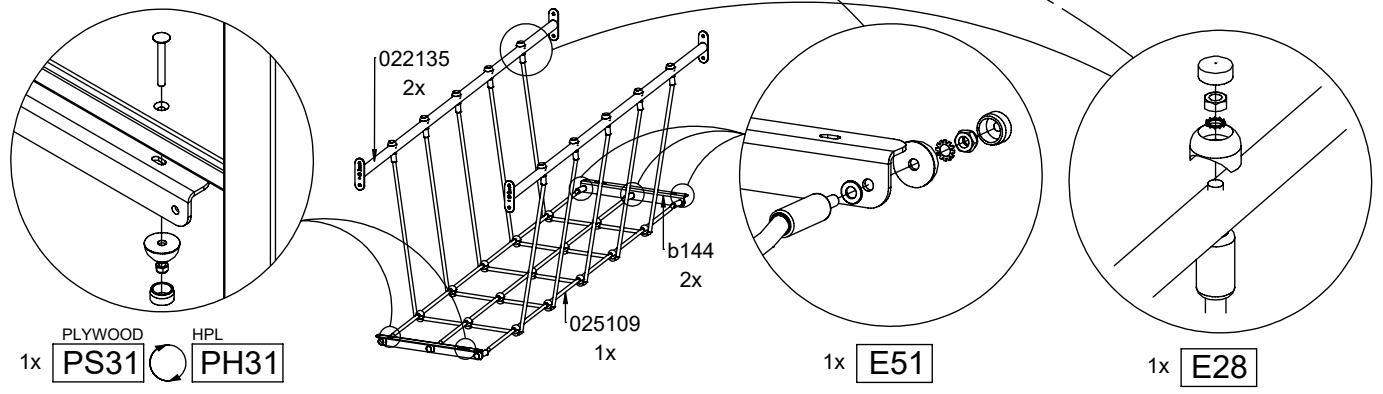
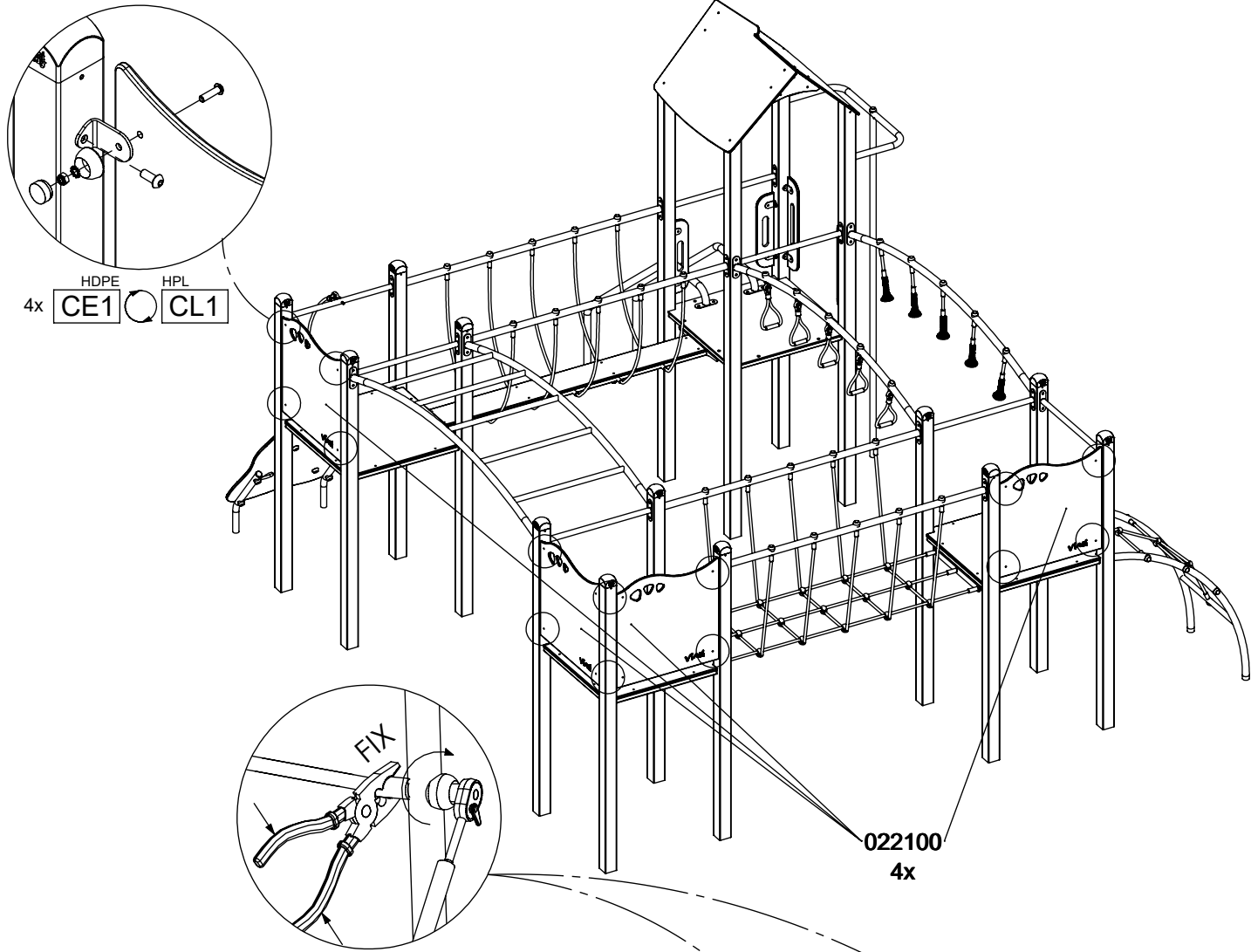
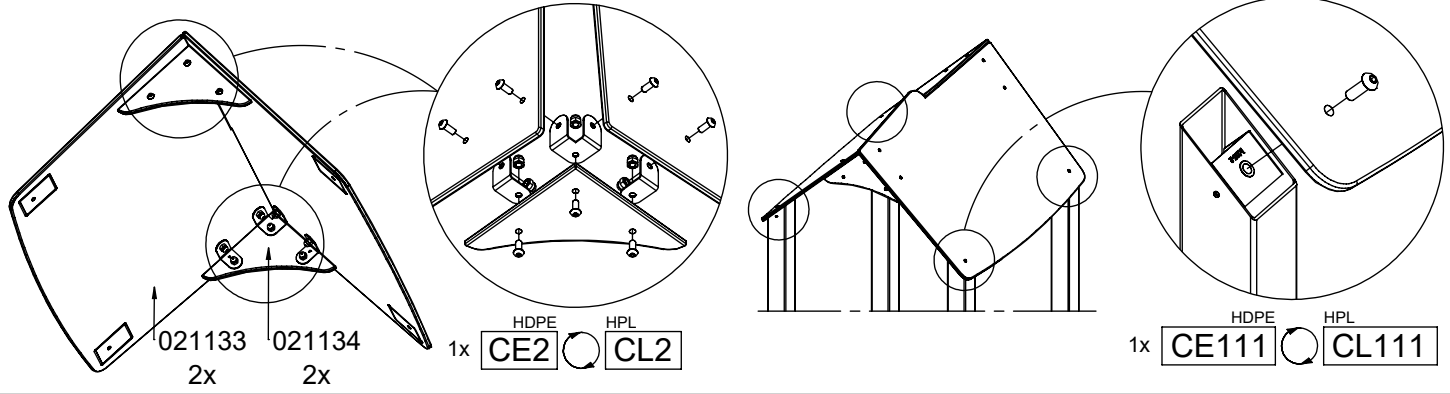
1x **E6** **E7**

PLYWOOD HPL

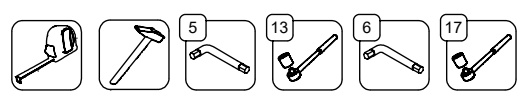
[cm]



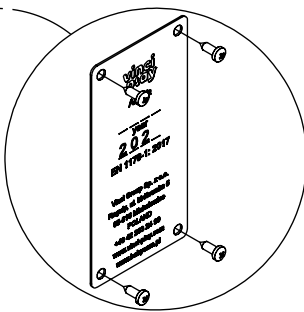
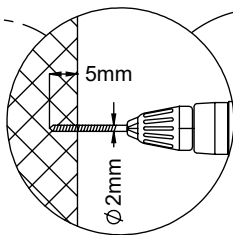
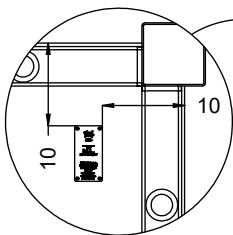
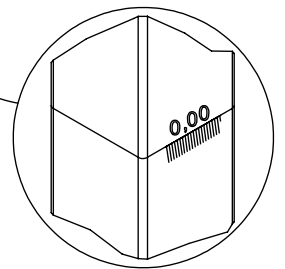
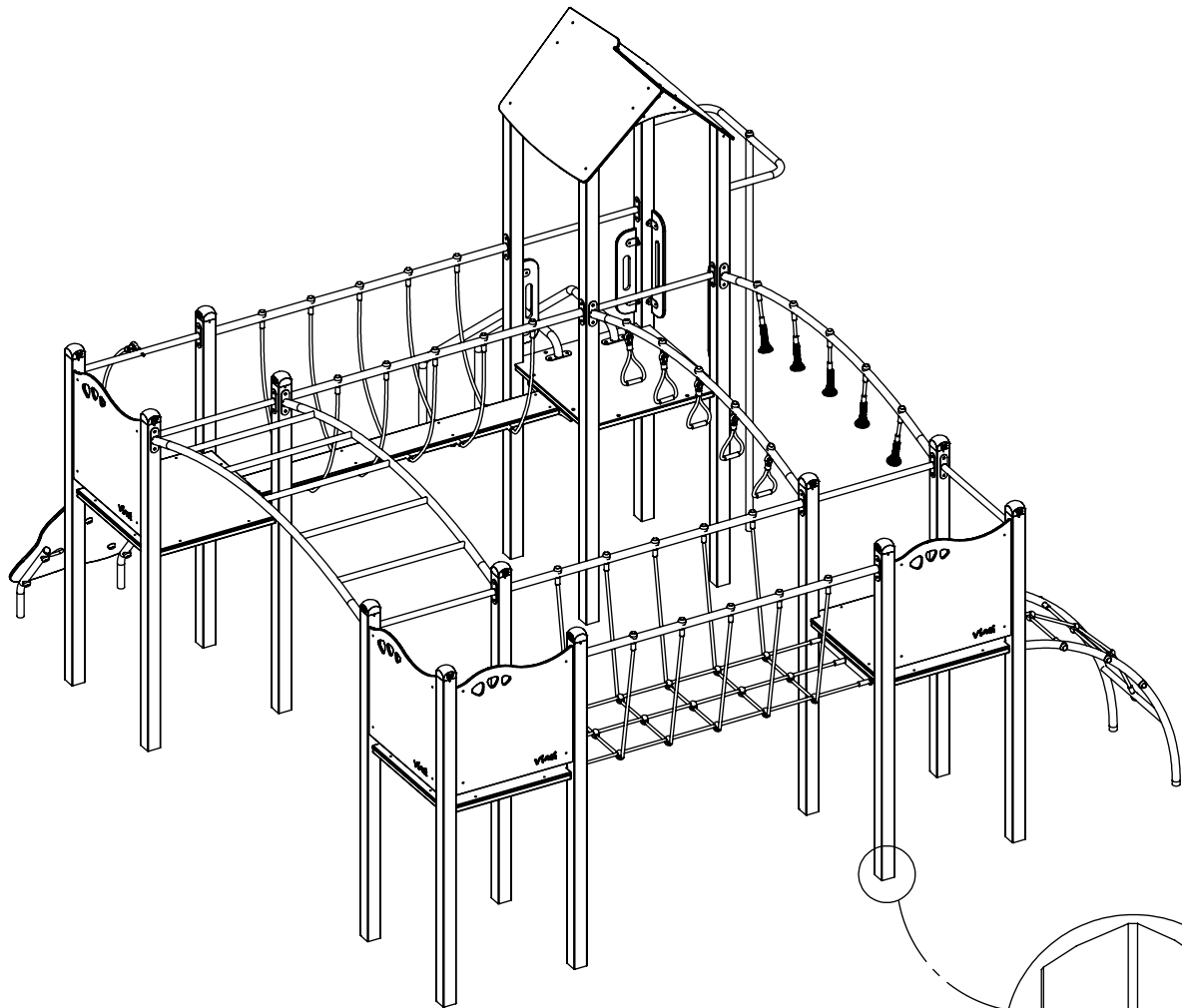
vinci  
play



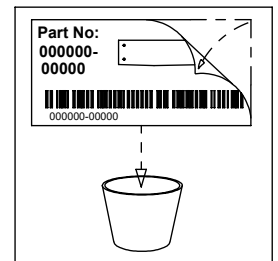
[cm]



vinci  
play



V001



[cm]



vinci  
play