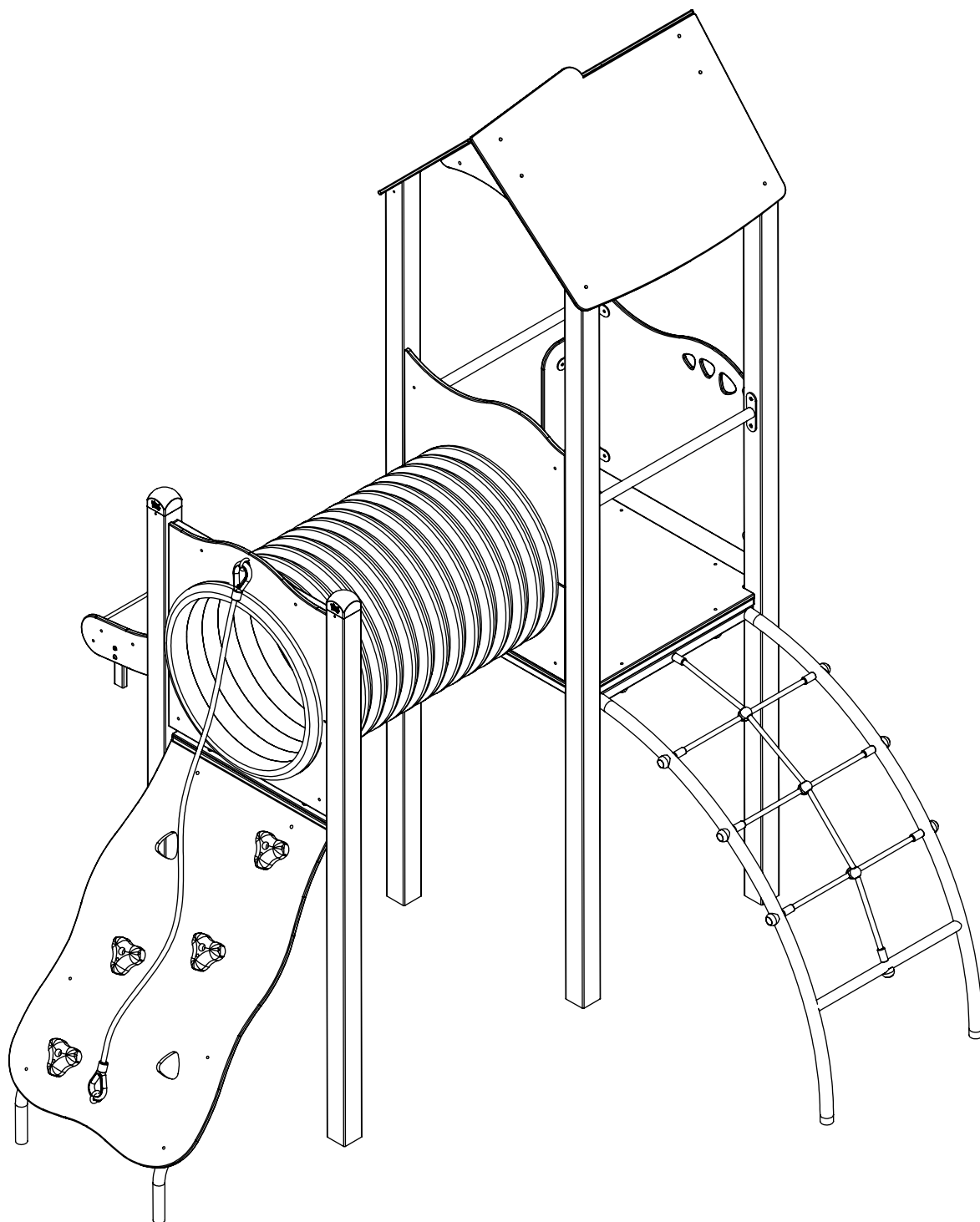
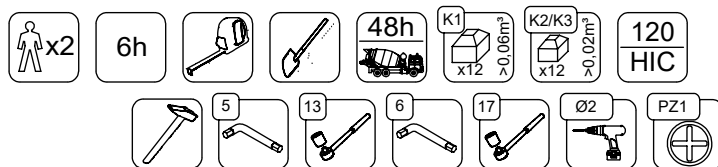


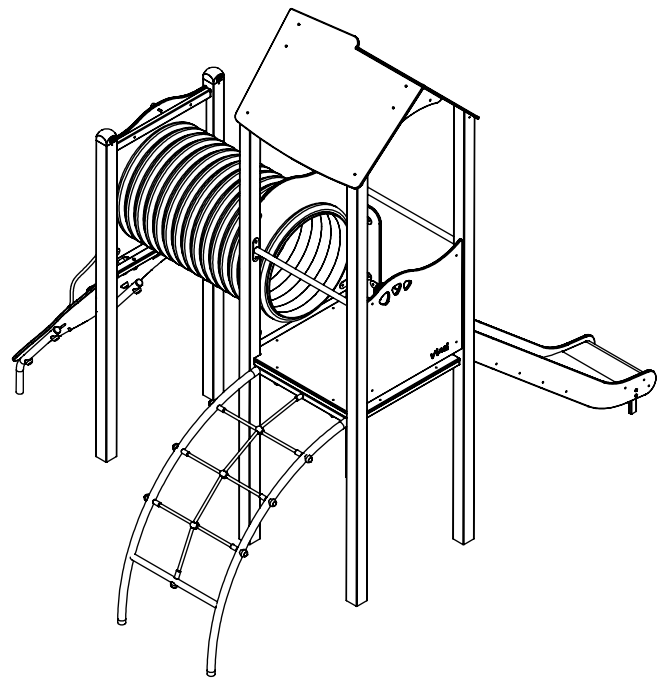
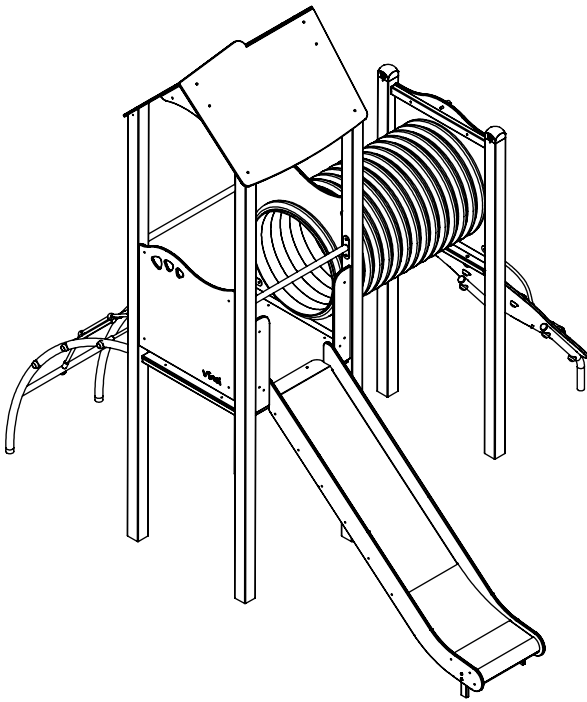
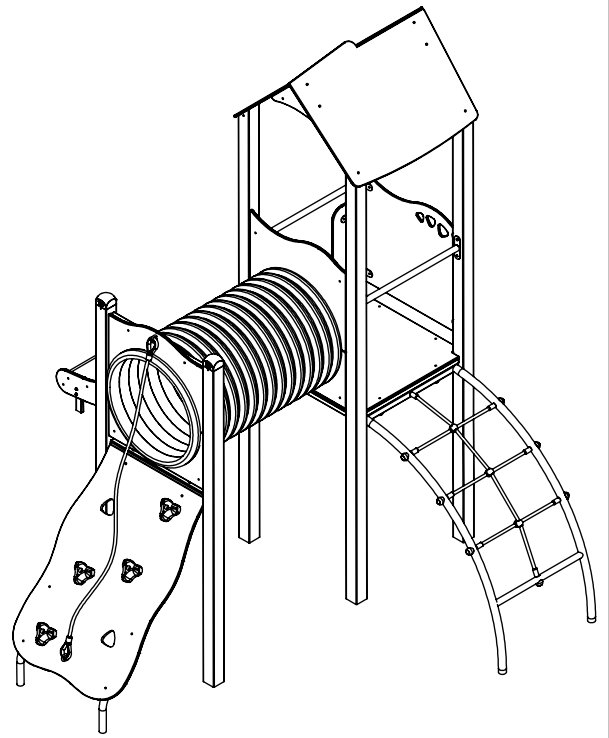
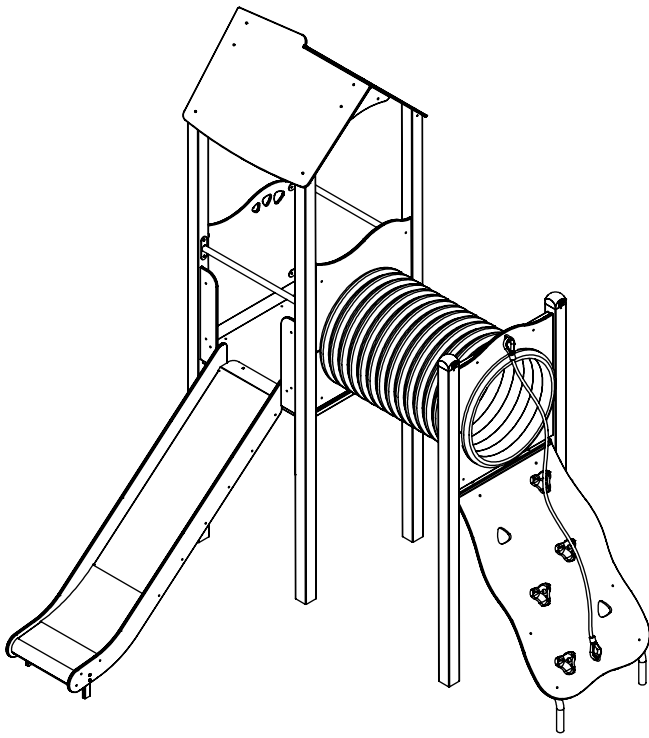
# 0202-1



v014  
13.01.2022  
D. P.  
[cm]

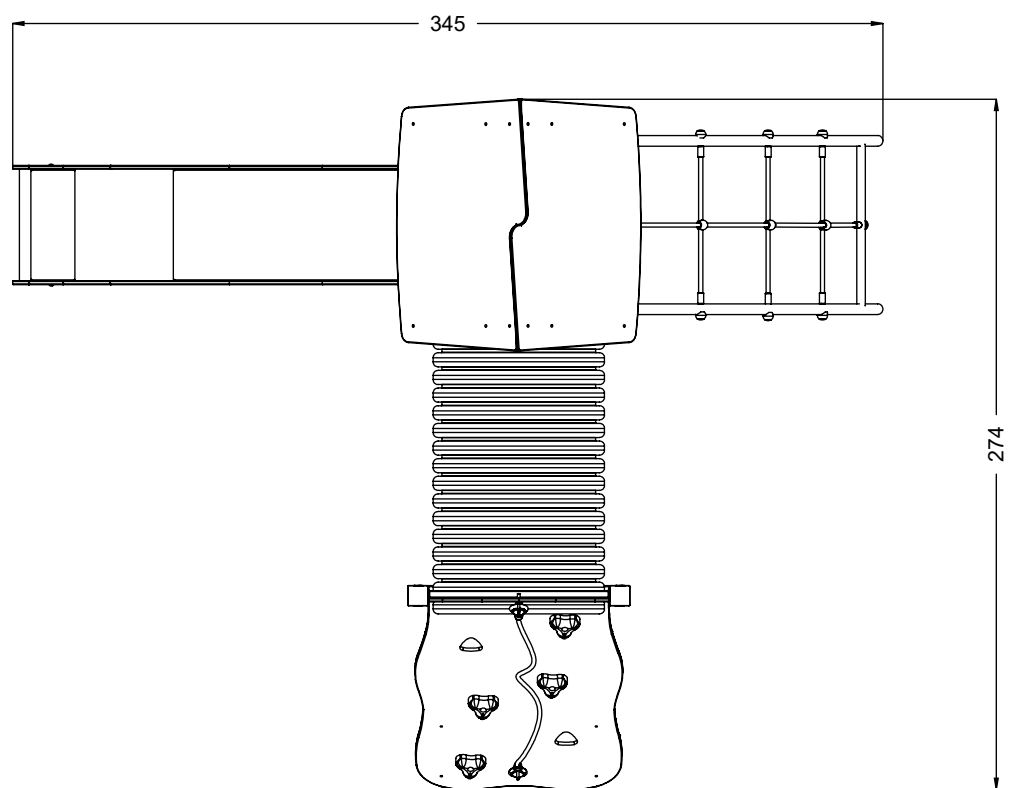
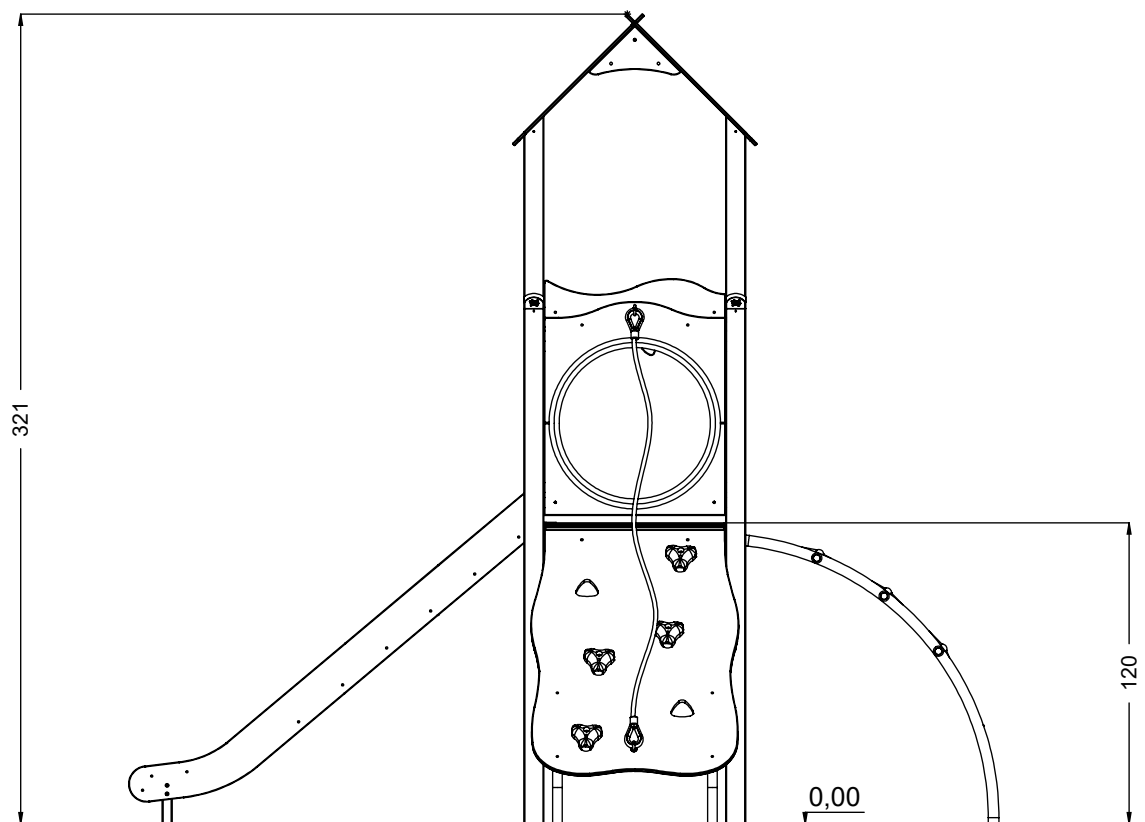


vinci  
play



[cm]

vinci  
play

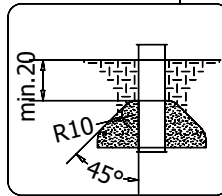
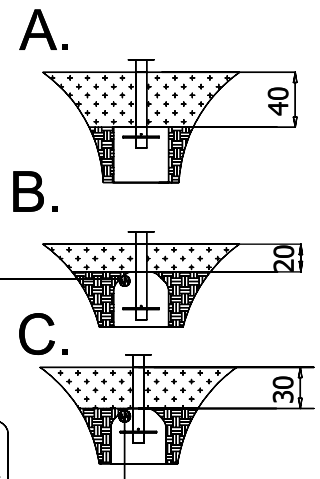
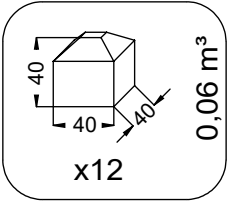
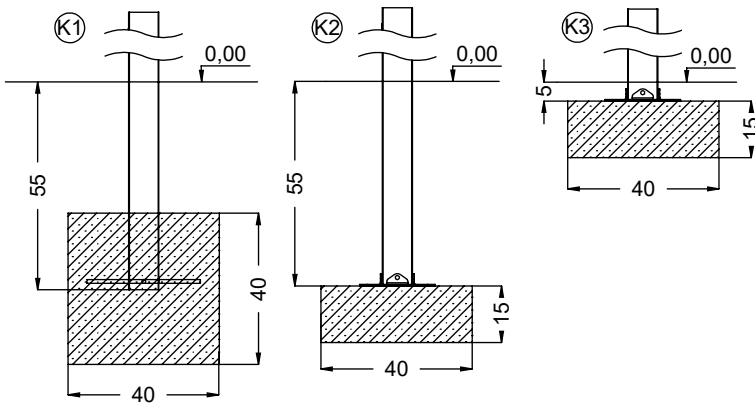








[cm]

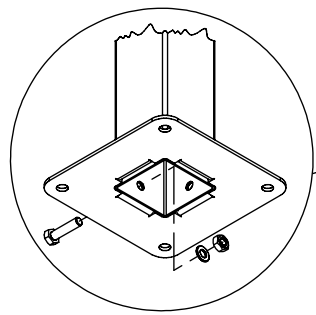
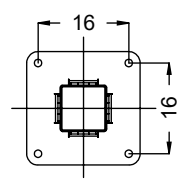


vinci  
play

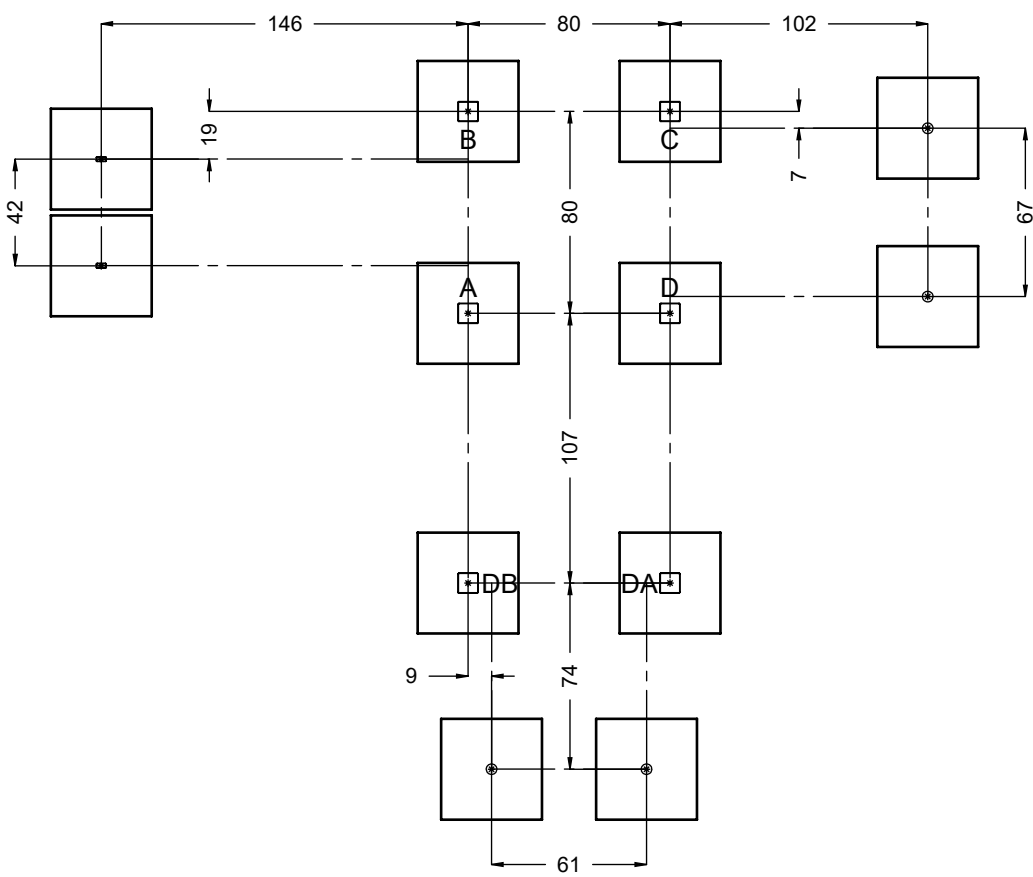




24x M10x120 (K2)	6x M8x120 (K2)
26x M10x120 (K3)	4x M8x120 (K3)
	
	
<b>NOT INCLUDED</b>	<b>NOT INCLUDED</b>
	



E37



[cm]

	6h			48h		
---	----	---	---	-----	---	--

vinci play



202A  
x1



202B  
x1



202C  
x1



202D  
x1



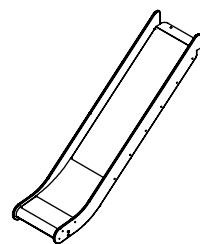
02DA  
x1



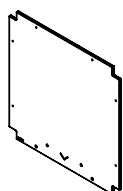
02DB  
x1



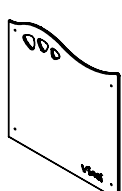
025142  
x1



994104  
x1



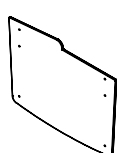
021102  
x1



021100  
x1



021152  
x2



021133  
x2



021134  
x2



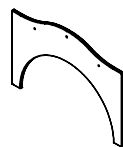
021135  
x1



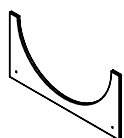
021160  
x1



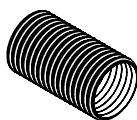
022100  
x4



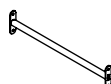
021147  
x1



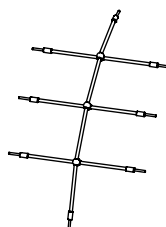
021106  
x1



996104  
x1



022102  
x5



025144  
x1

S6	S6
021190 x1	021200 x1

HDPE		HPL		
021105 x1	021106 x1	021185 x1	021186 x1	021187 x2

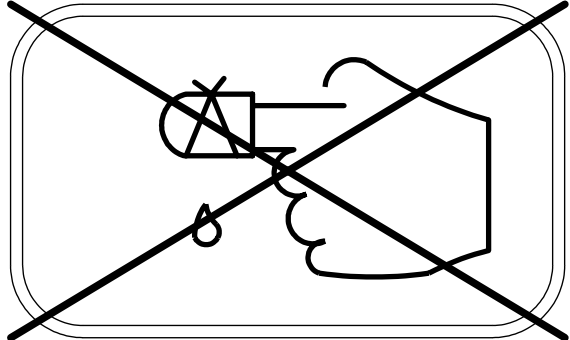
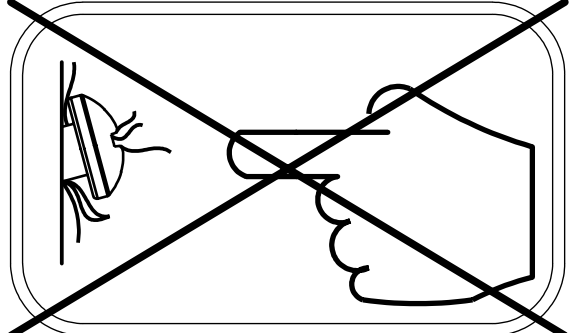
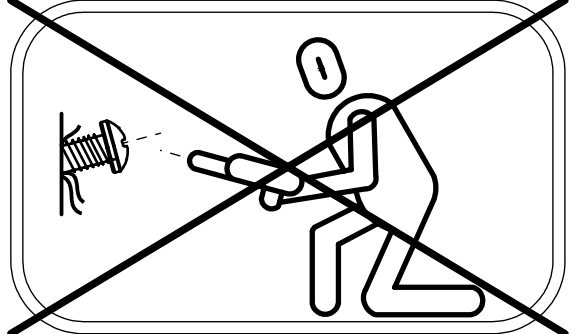
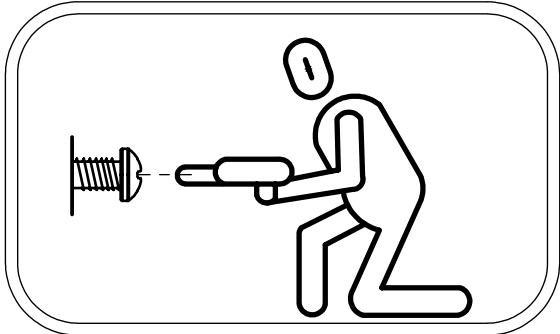
K1, K2	K3	K1, K2	K3
P78 x2	b219-2 x2	022106 x1	022120 x1

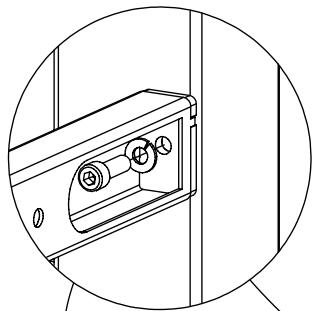
K1, K2	K3	K2, K3
992100 x2	992104 x2	B231 x6

ST/INOX		PLYWOOD / HDPE		HPL	
	E37 (K2, K3)	1 x	E8 (S1)	1 x	E9 (S1)
1x	E34 (K1, K3)	1 x	E152 (S6)	1 x	E153 (S6)
1x	E35 (K2)	1 x	CE2	1 x	CL2
2x	E88 (K2, K3)	1 x	E4	1 x	E5
2x	E1	2 x	CE1	2 x	CL1
1x	E3	1 x	PS55	1 x	PH55
1x	E42	1 x	CE4	1 x	CL4
1x	E89	1 x	PS2	1 x	PH2
1x	E239	1 x	CE31	1 x	CL31
1x	V001	1 x	CE111	1 x	CL111
		1 x	PS91	1 x	PH91
				1 x	E130
				1 x	P061(S6)

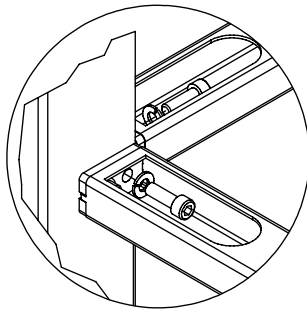
[cm]

vinci  
play

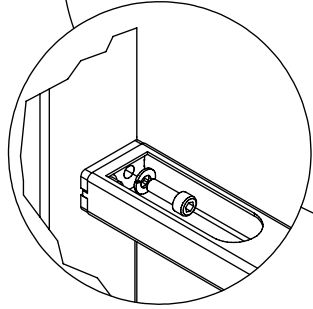




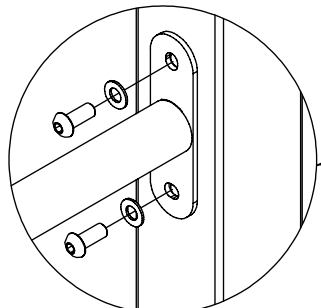
1x E42



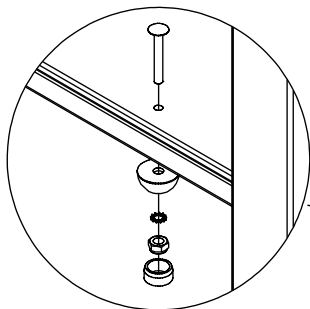
1x E3



022100  
6x

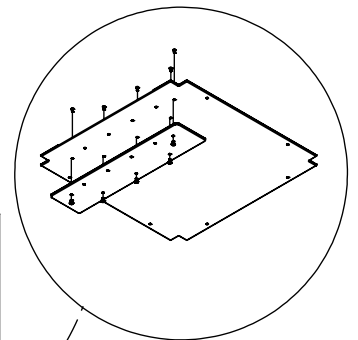


2x E1



PLYWOOD HPL  
1x PS2 PH2

022102  
2x



1x P061 S6

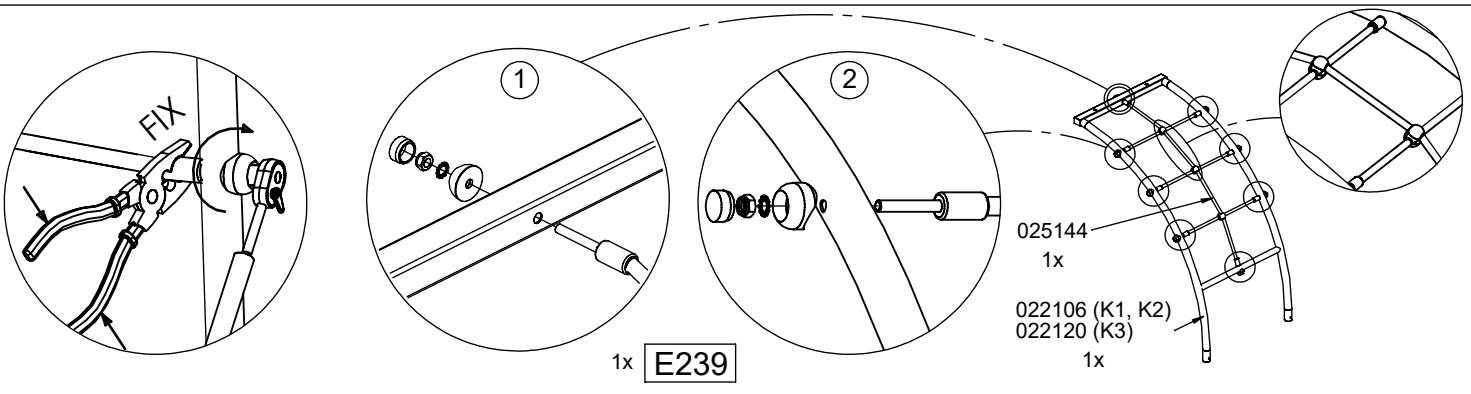
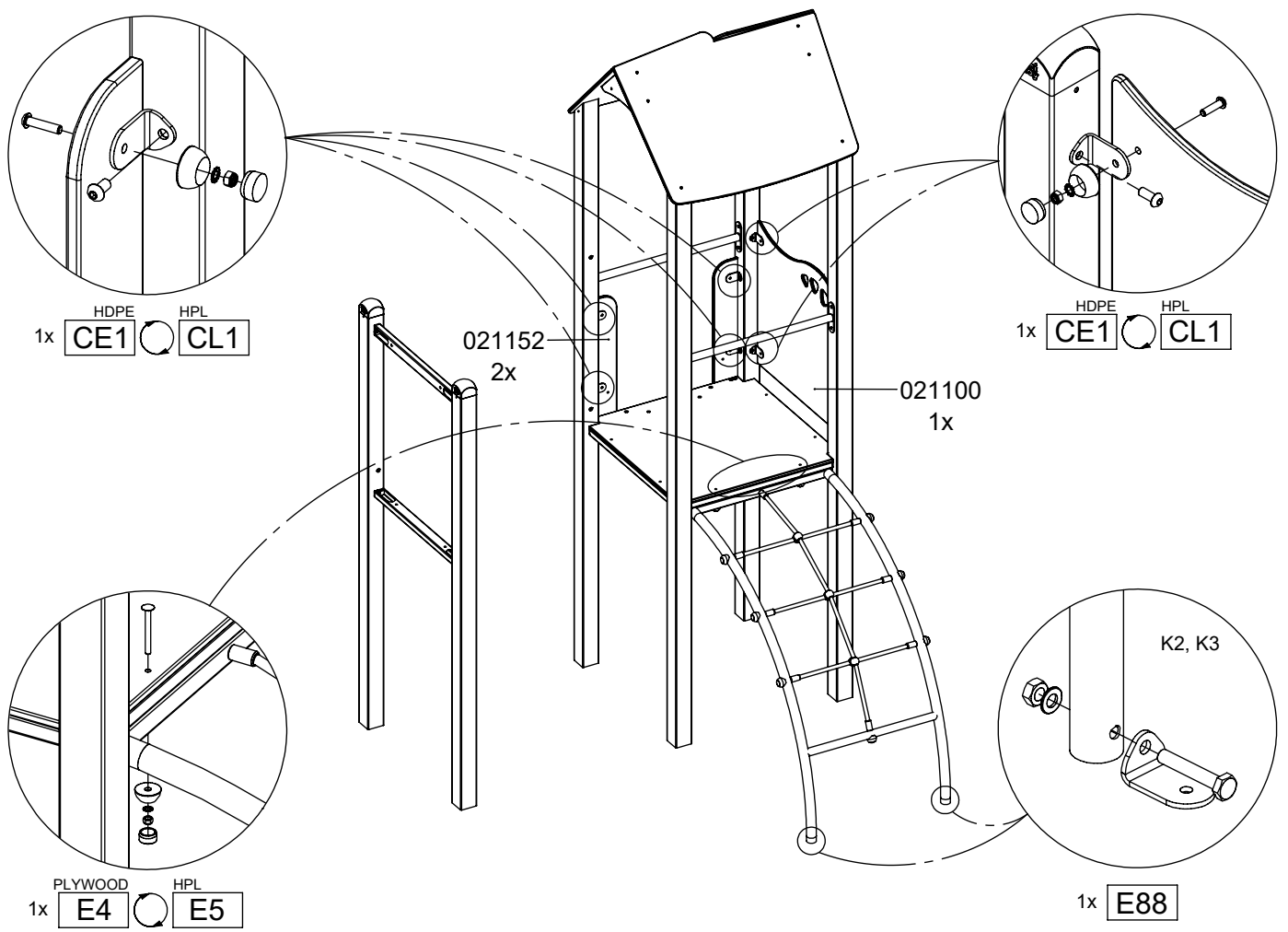
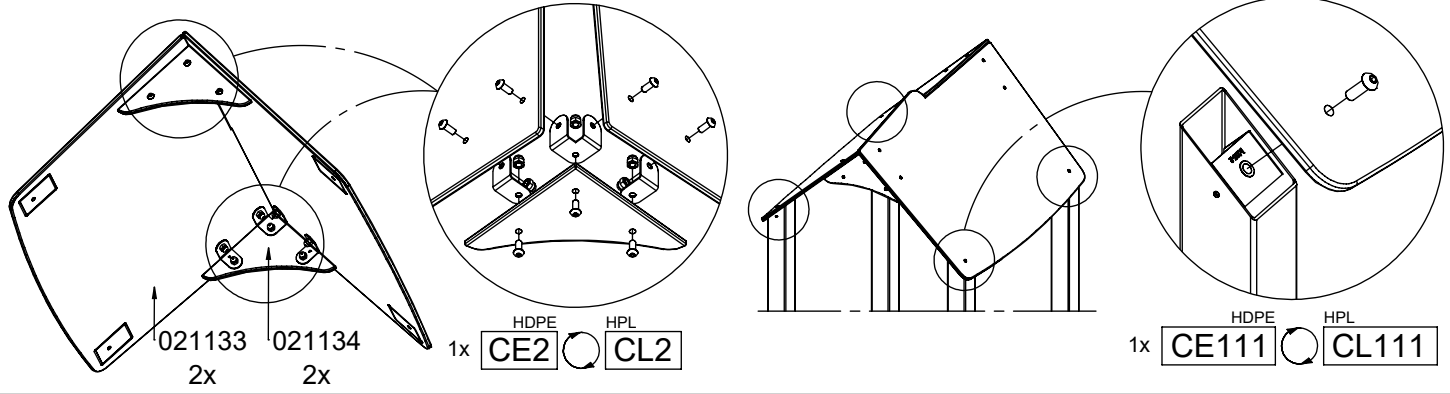
021102  
1x

[cm]

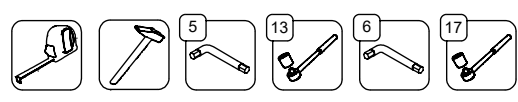


vinci  
play



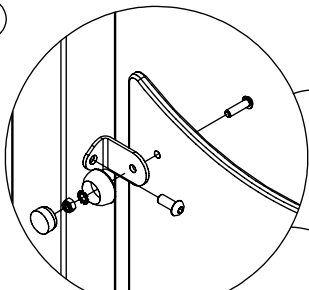


[cm]



vinci  
play

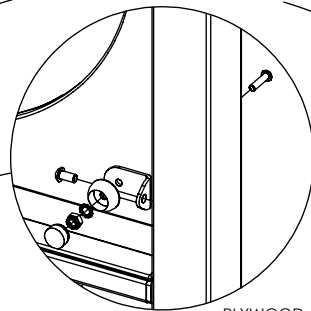
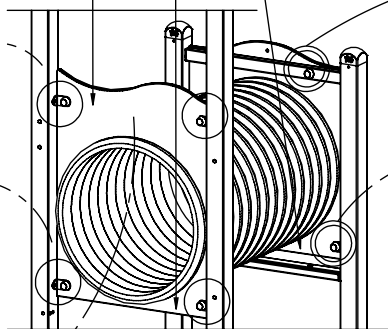
1x



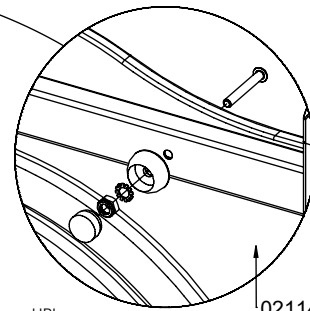
1x HDPE **CE4** 1x HPL **CL4**

021105  
1x

021106  
2x

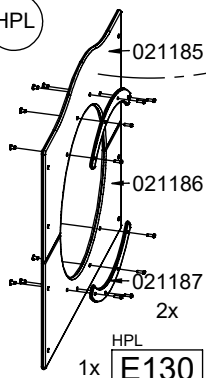


1x PLYWOOD **PS55** 1x HPL **PH55**

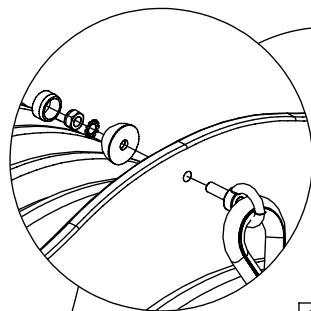
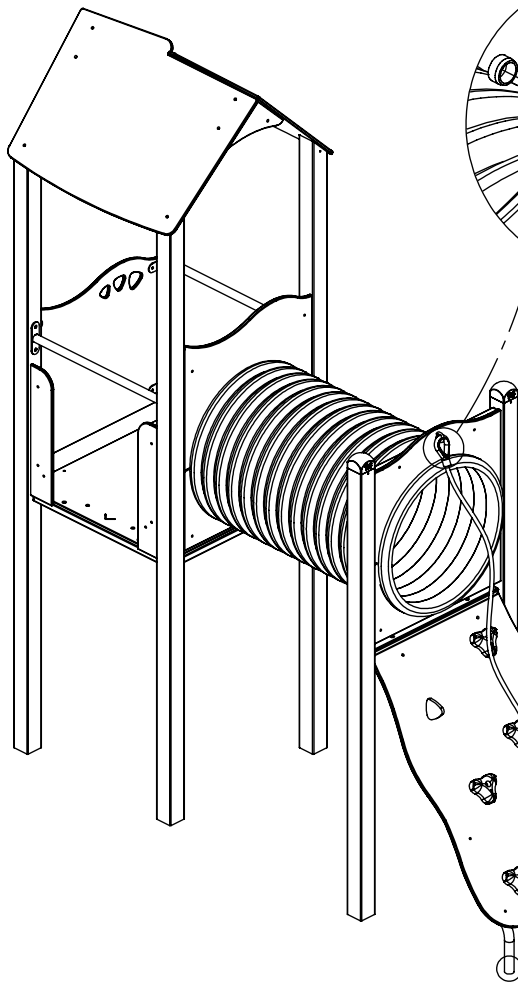


021147  
1x

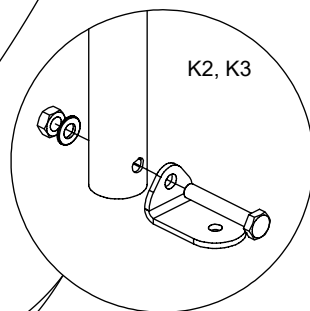
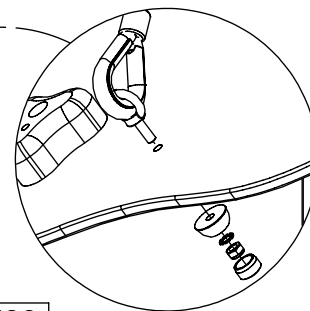
HPL



1x HPL **E130**

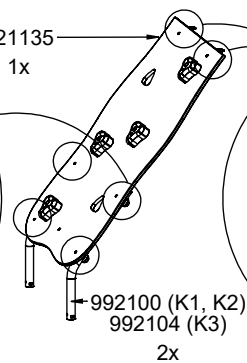
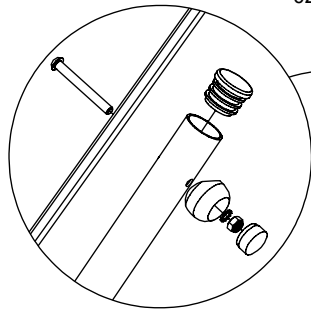


1x **E89**

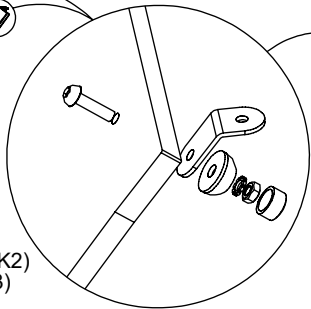


1x **E88**

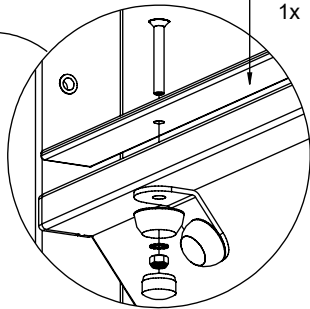
021135  
1x



992100 (K1, K2)  
992104 (K3)  
2x

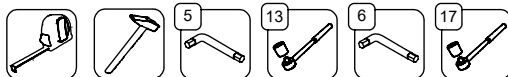


021160  
1x

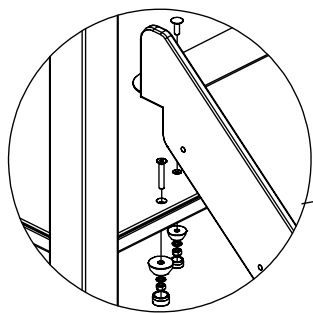


1x PLYWOOD **PS91** 1x HPL **PH91**

[cm]



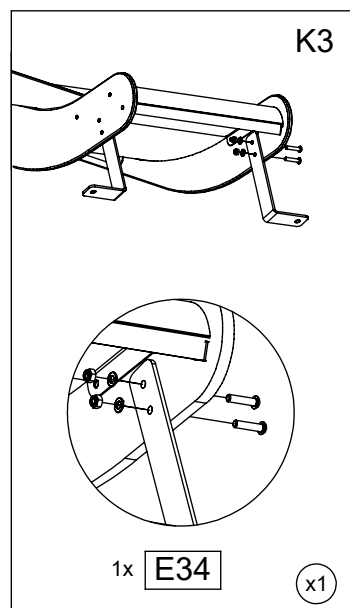
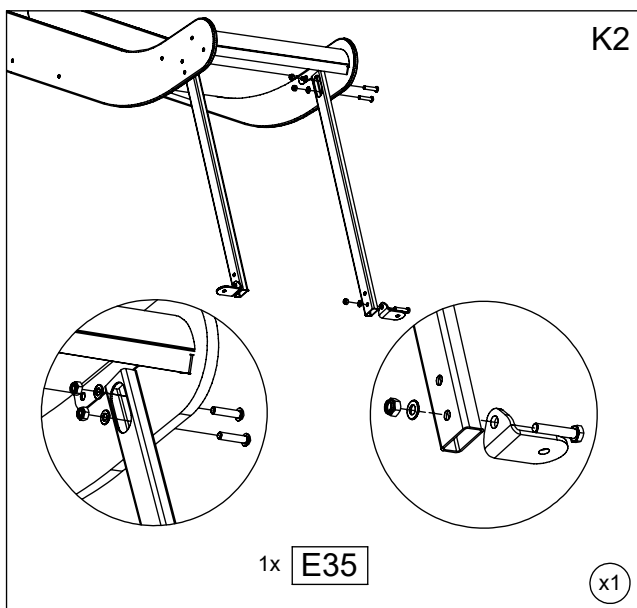
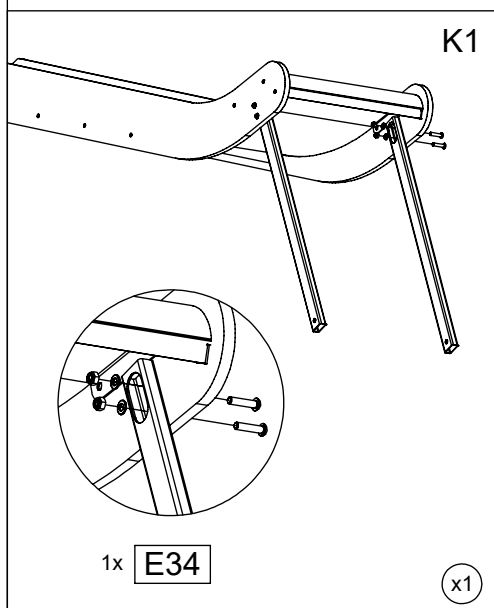
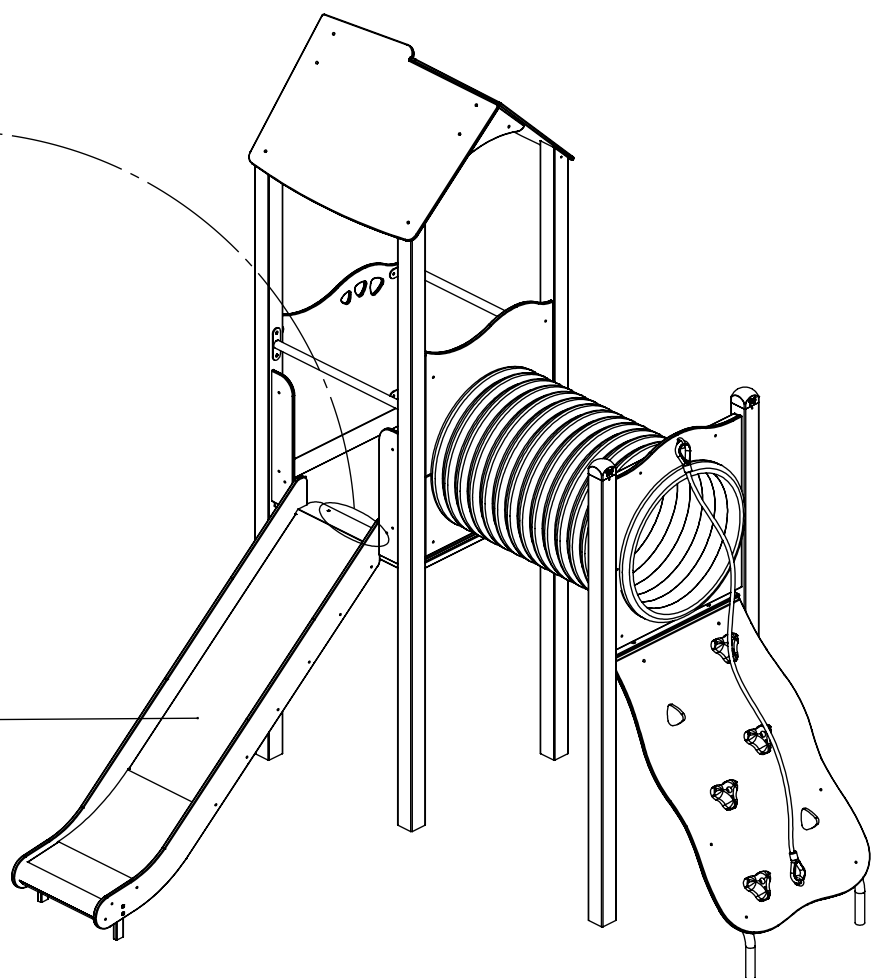
vinci  
play



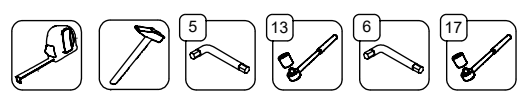
PLYWOOD HPL  
1x **E8** (S1) **E9**

PLYWOOD HPL  
1x **E152** (S6) **E153**

994104  
1x

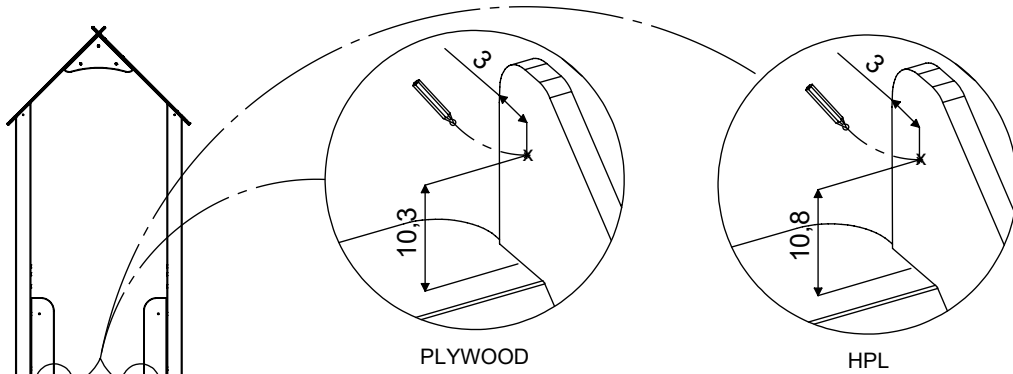


[cm]



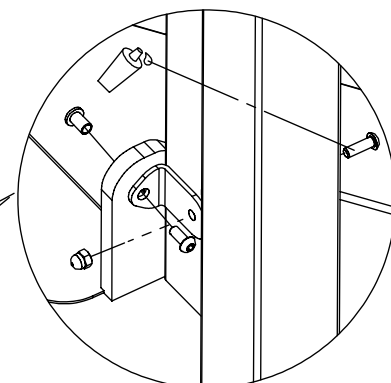
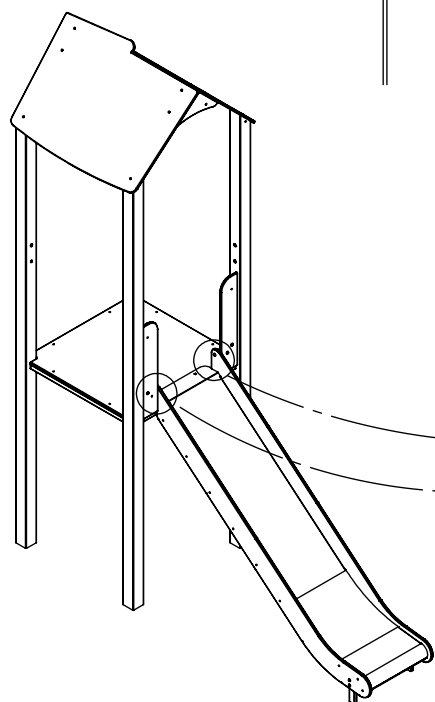
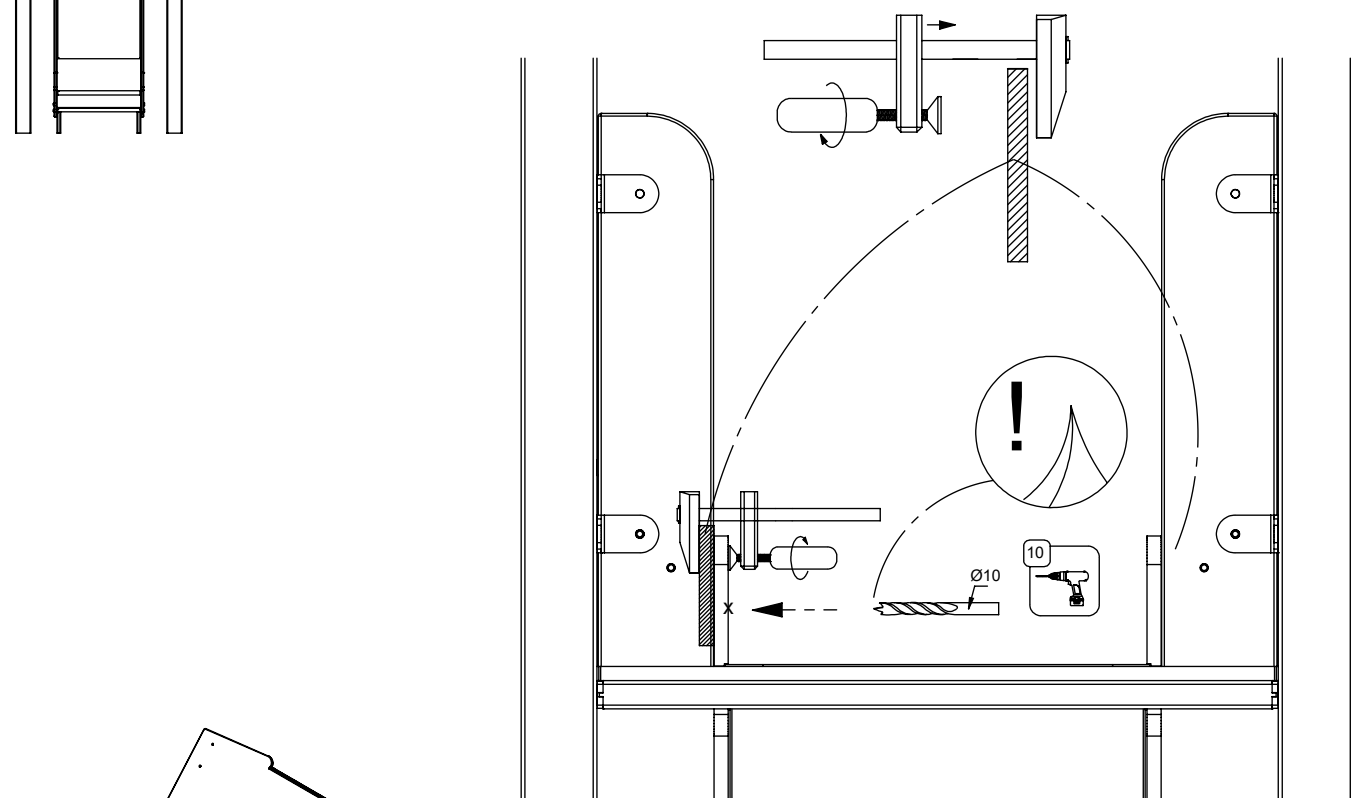
vinci  
play

1x



PLYWOOD

HPL

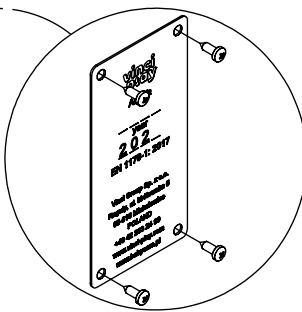
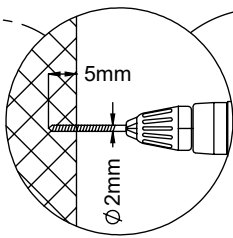
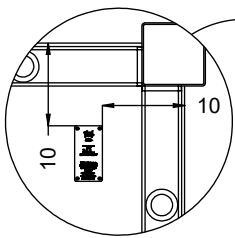
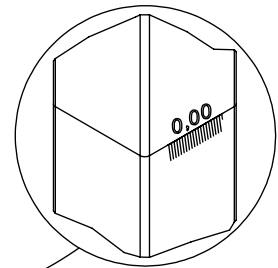
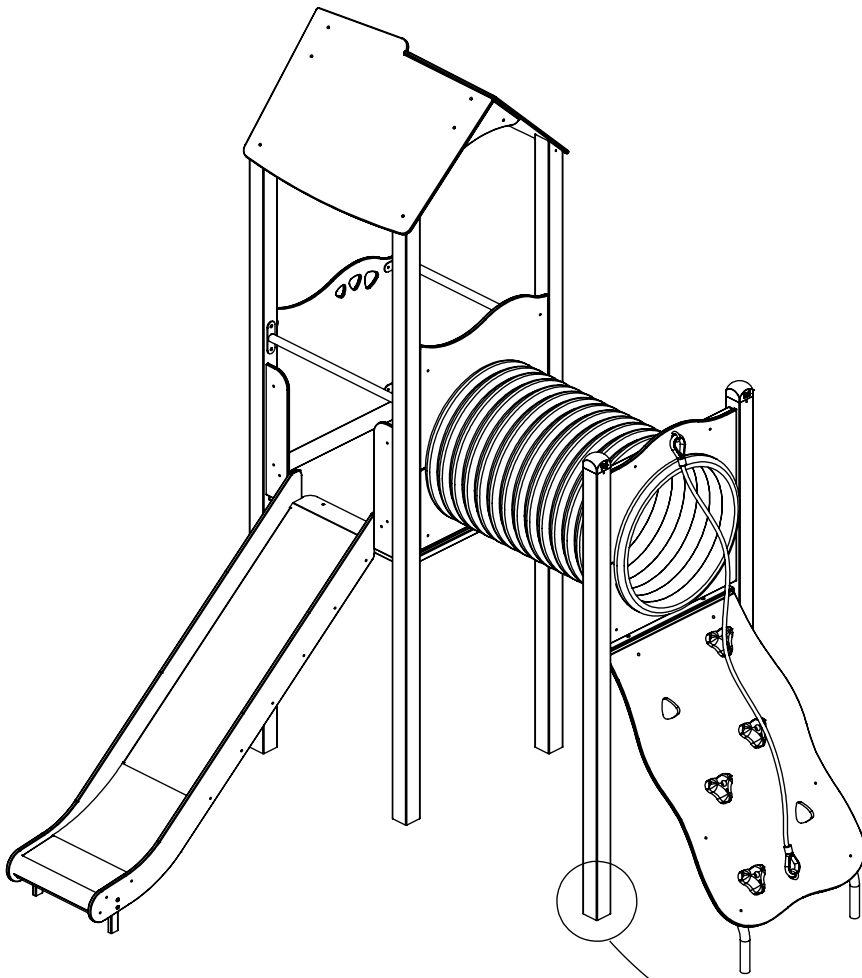


1x HDPE  
CE31 HPL  
CL31

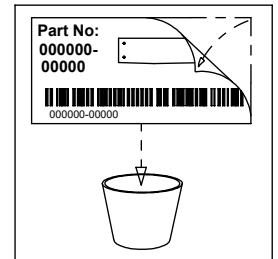


[cm]

vinci play



V001



[cm]



vinci  
play