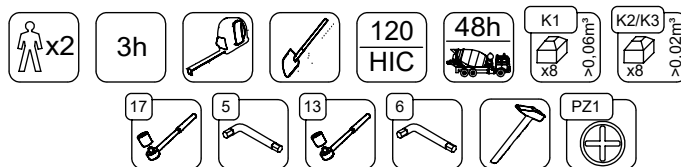
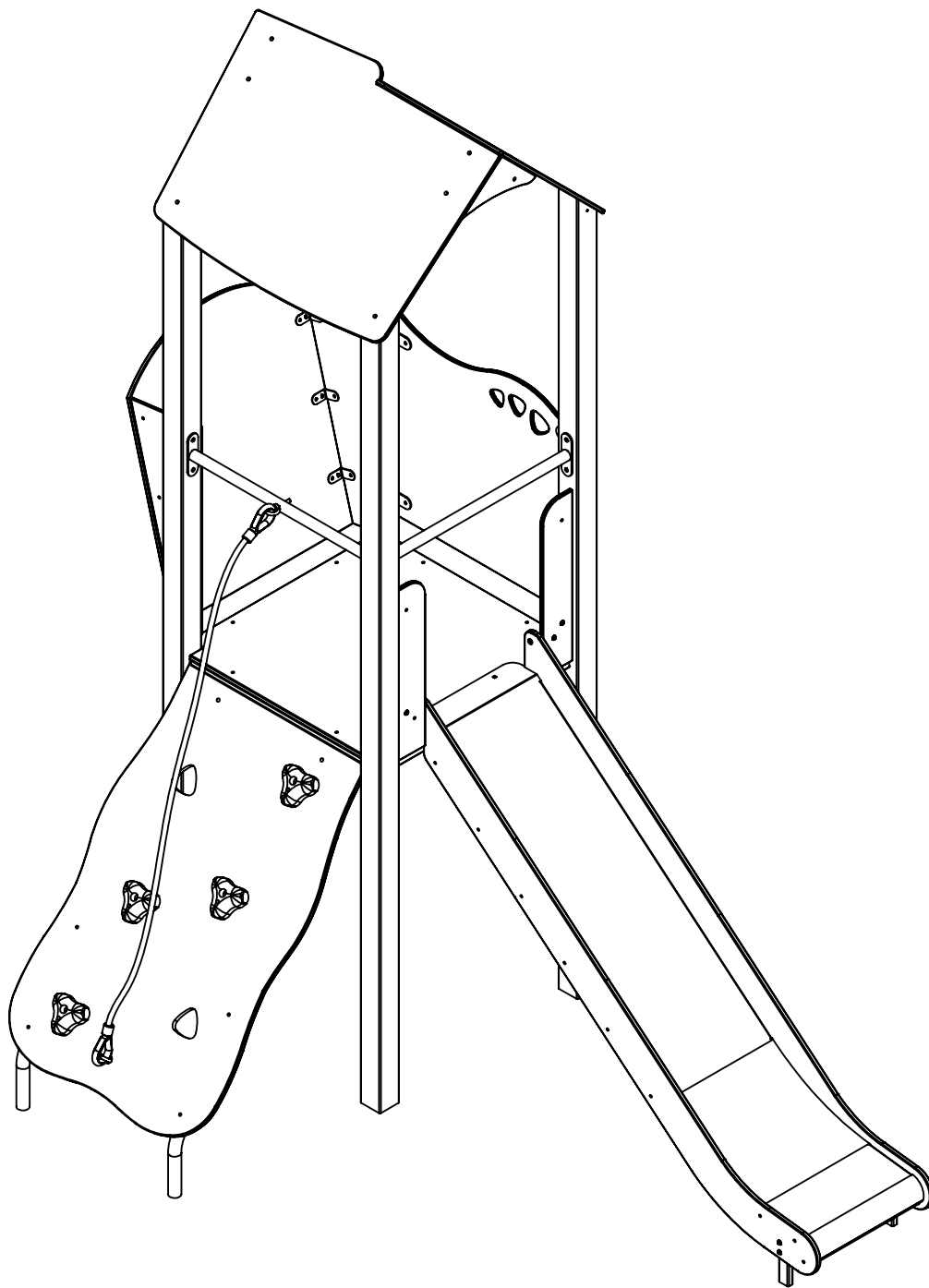
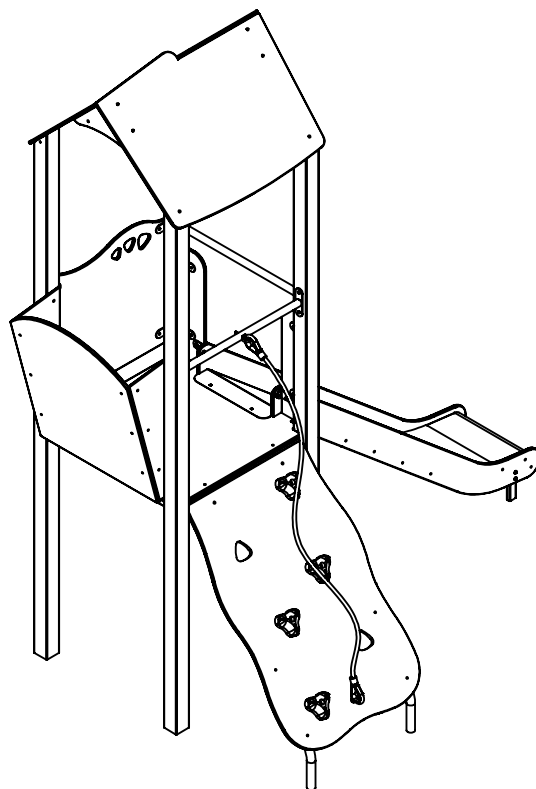
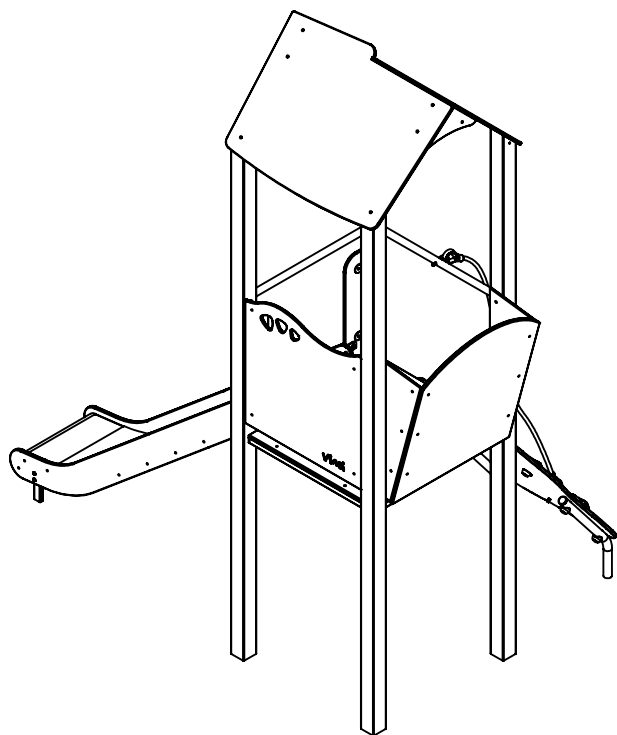
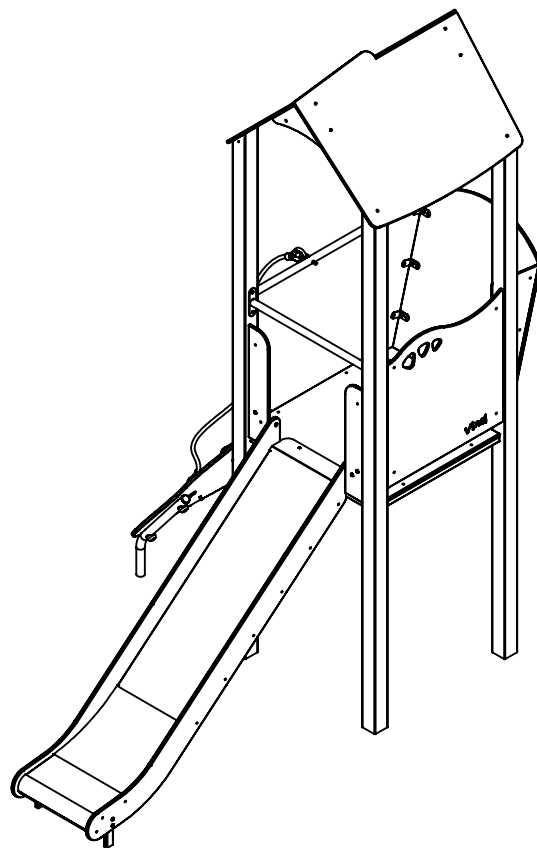
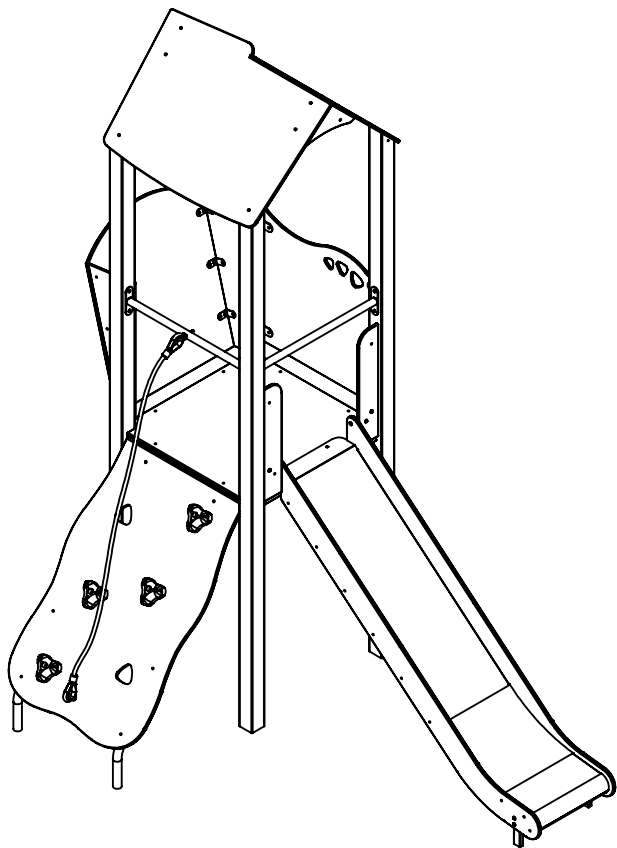


0201-1



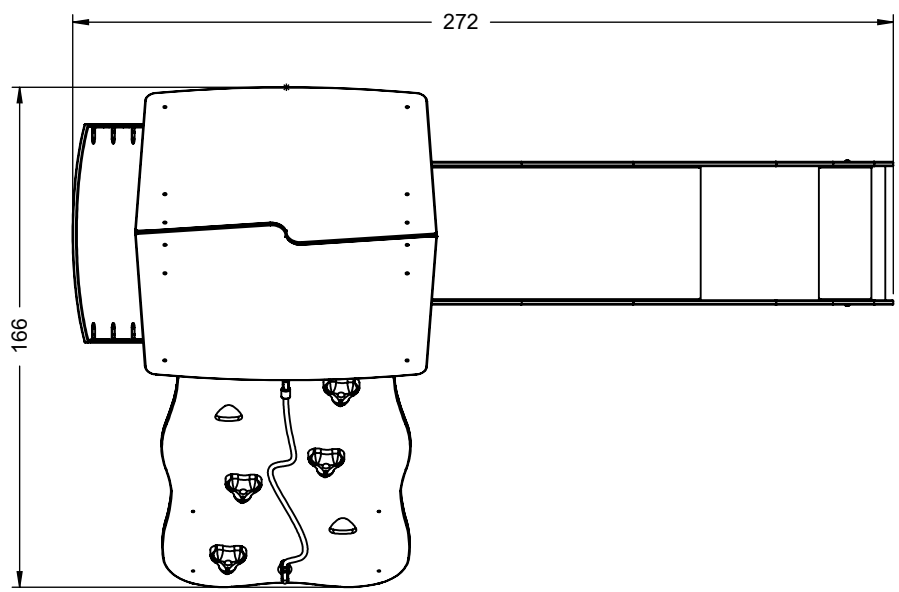
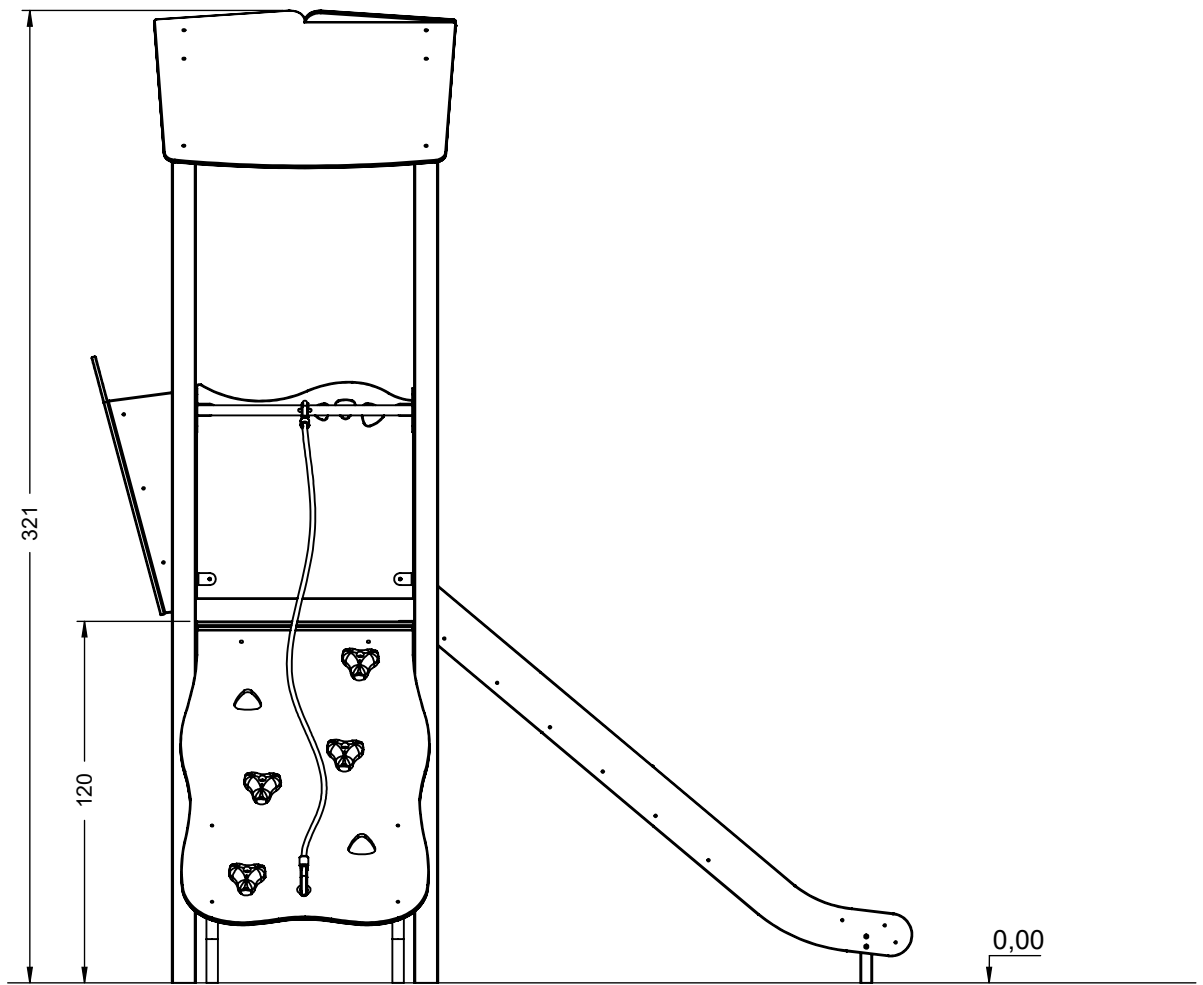
v014
13.01.2022
D. P.
[cm]

vinci
play



[cm]

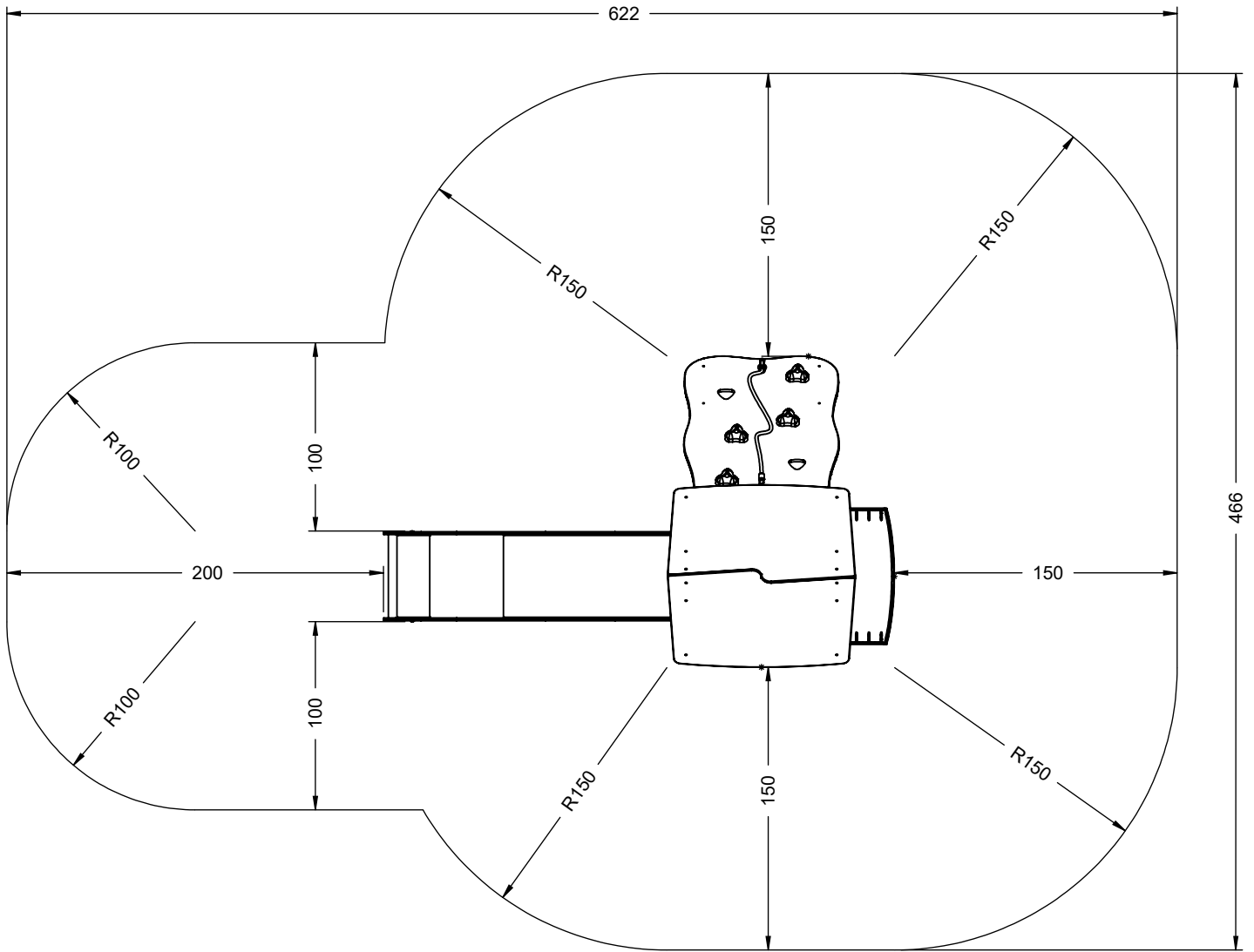
vinci
play



[cm]



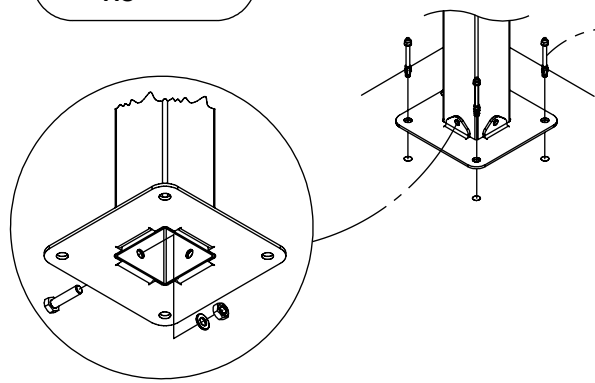
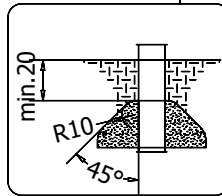
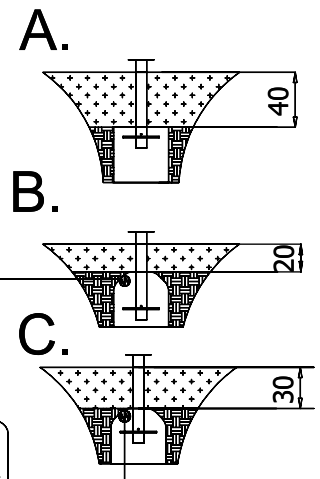
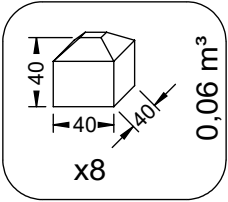
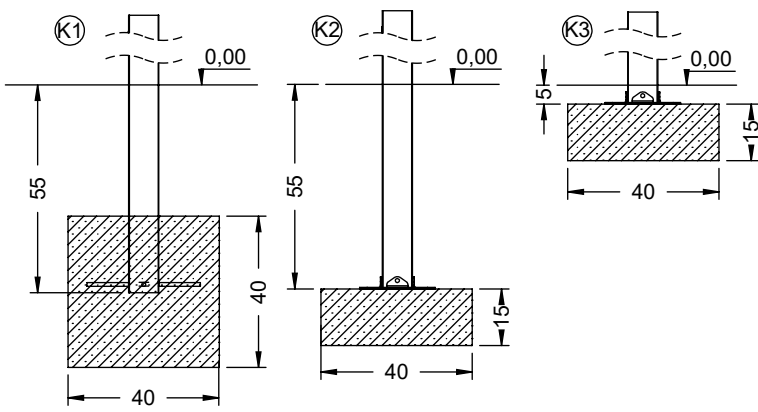
vinci
play



[cm]

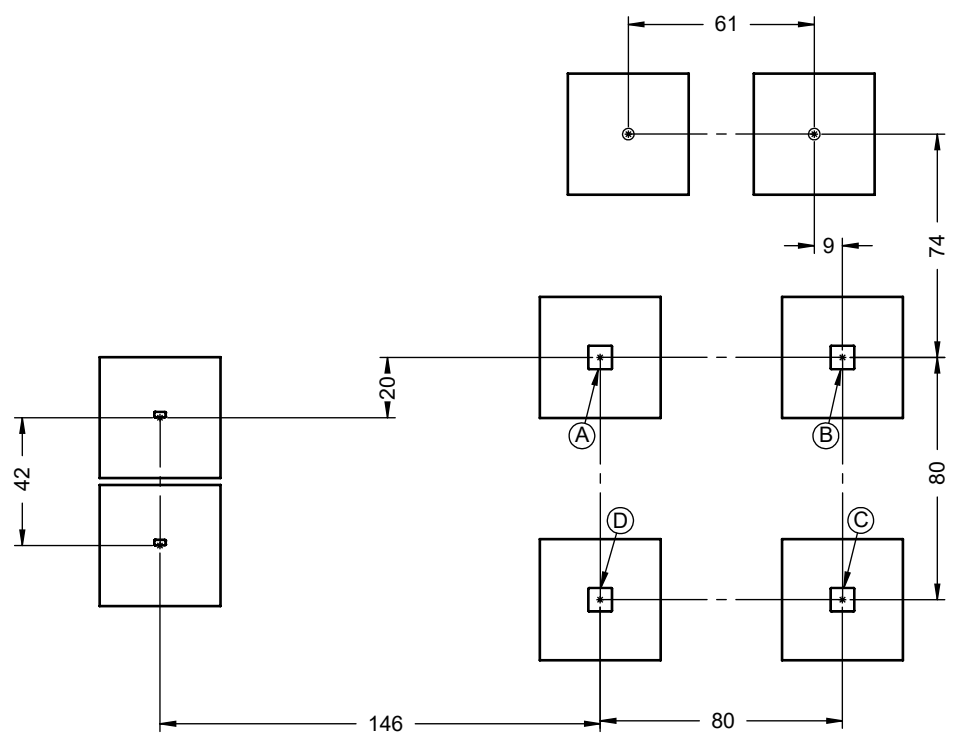
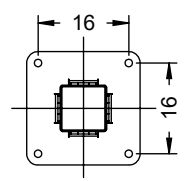


vinci
play



E37

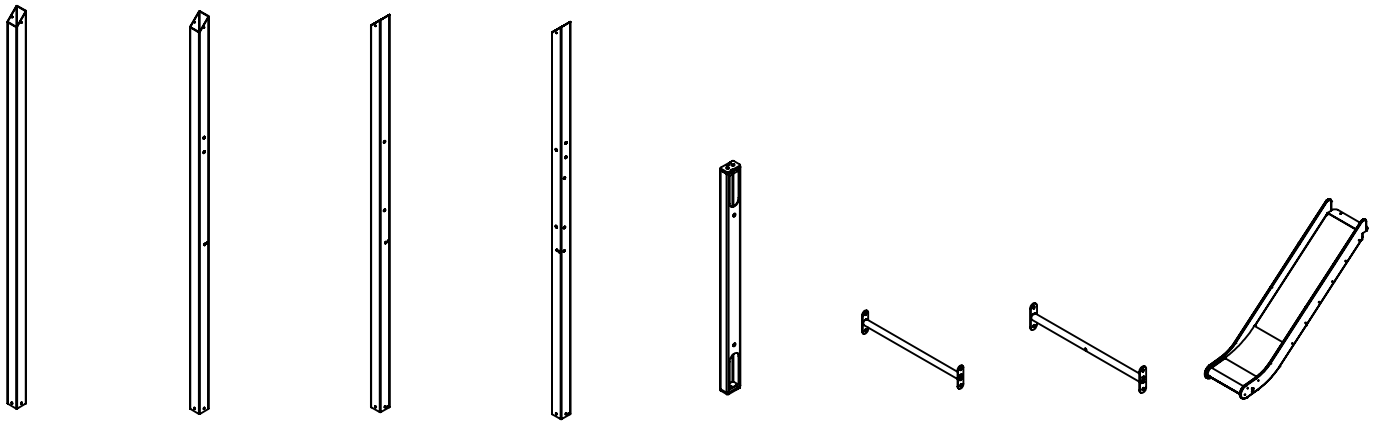
16x M10x120 (K2)	4x M8x120 (K2)
18x M10x120 (K3)	2x M8x120 (K3)
NOT INCLUDED	NOT INCLUDED



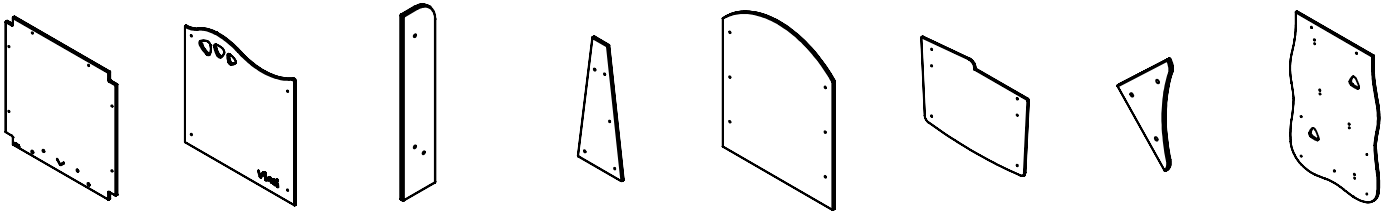
[cm]

	3h			48h	K1 x8 >0,06m³	K2/K3 x8 >0,02m³
--	----	--	--	-----	------------------	---------------------

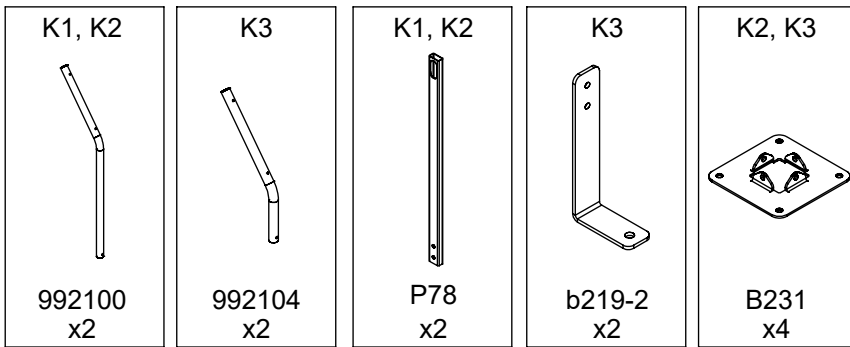
vinci play



0201A x1 0201B x1 0201C x1 0201D x1 022100 x4 022102 x5 022103 x1 994104 x1



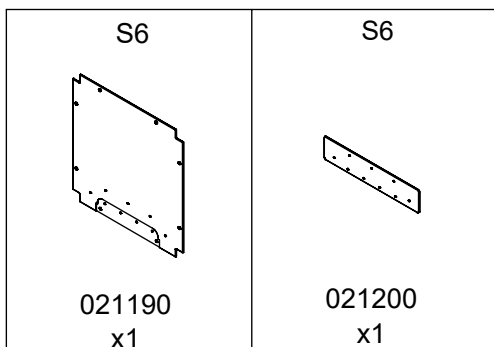
021102 x1 021100 x1 021152 x2 141137 x2 021116 x1 021133 x2 021134 x2 021135 x1



K1, K2 K3 K1, K2 K3 K2, K3
 992100 x2 992104 x2 P78 x2 b219-2 x2 B231 x4

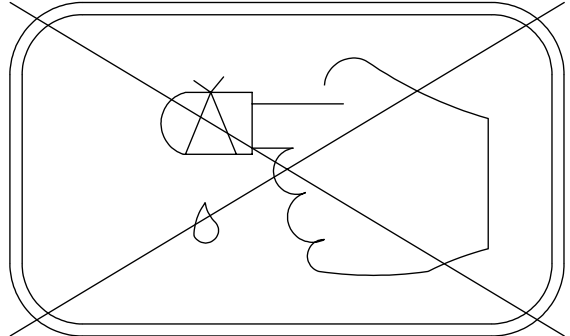
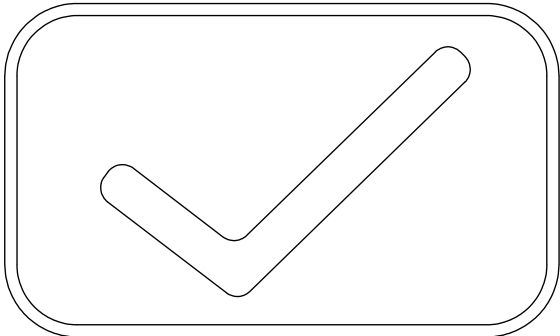
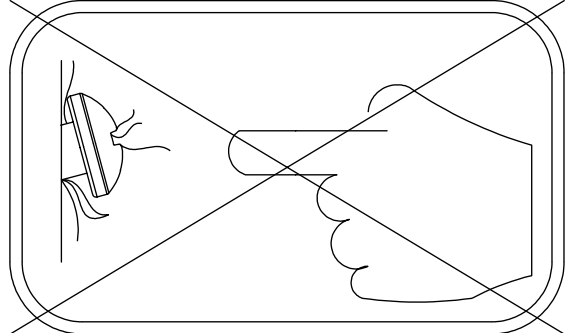
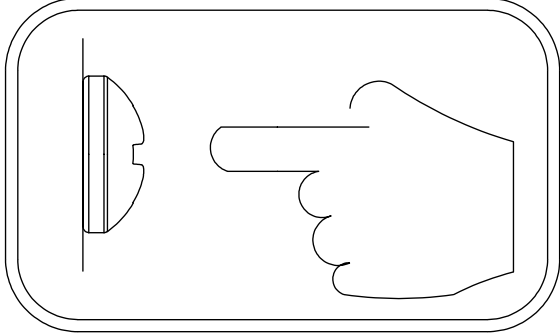
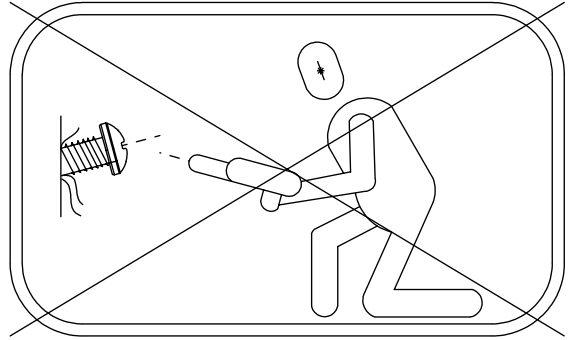
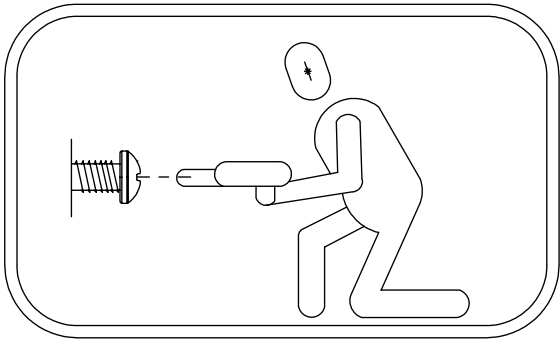


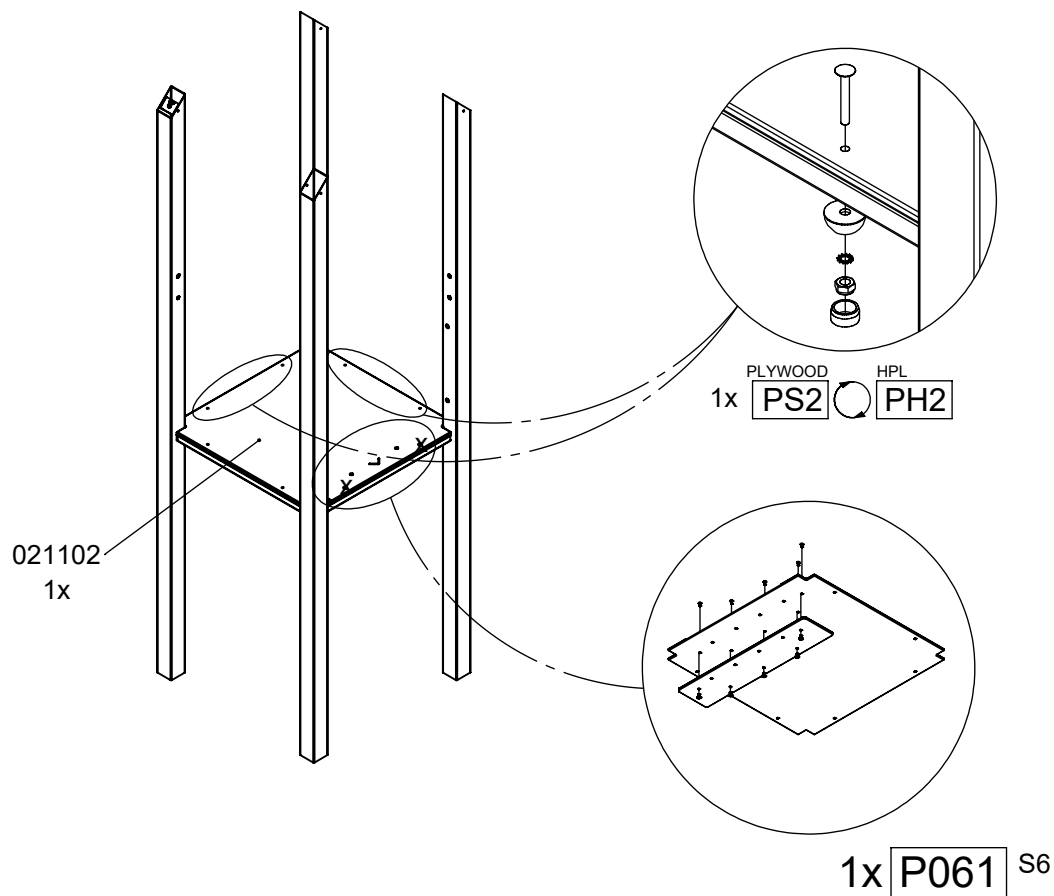
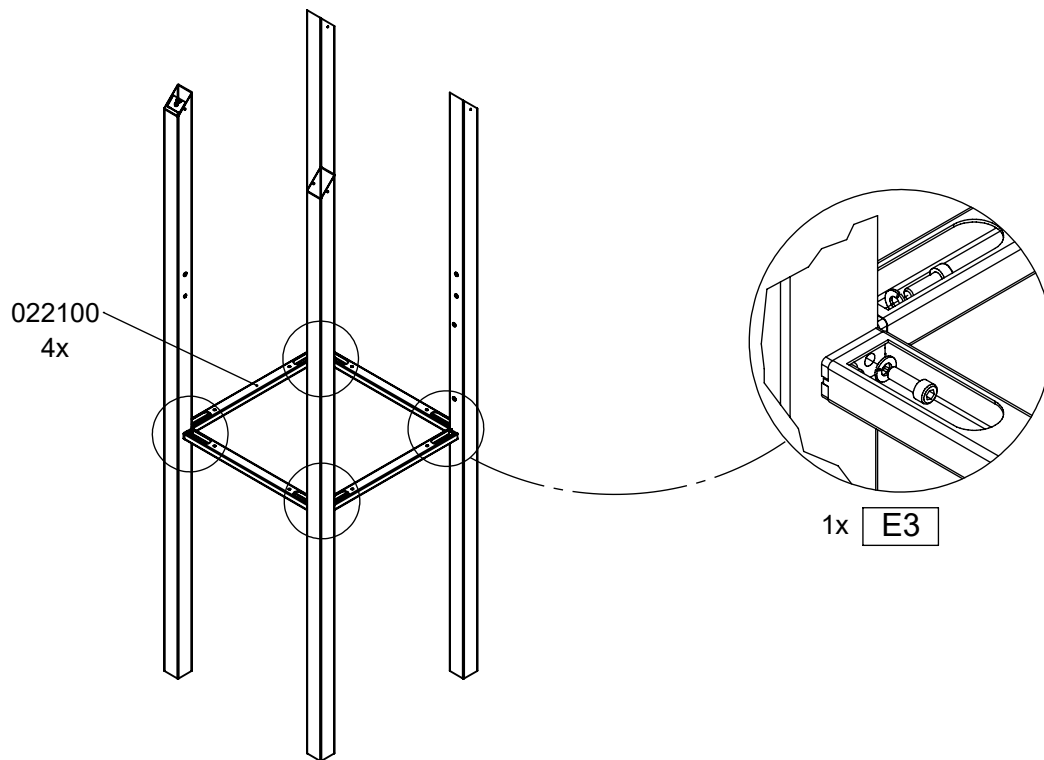
025146 x1



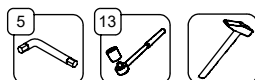
S6 S6
 021190 x1 021200 x1

ST/INOX		HDPE / PLYWOOD		HPL
2x	E1	2x	CE1	CL1
1x	E3	1x	CE2	CL2
1x	E34 (K1, K3)	1x	CE31	CL31
1x	E35 (K2)	1x	PS2	PH2
1x	E88 (K2, K3)	1x	PS21	PH21
1x	E78	1x	PS34	PH34
1x	V001	1x	CE111	CL111
		1x	PS92	PH92
		1x	E8 (S1)	E9 (S1)
		1x	E152 (S6)	E153 (S6)
		1x		P061 (S6)

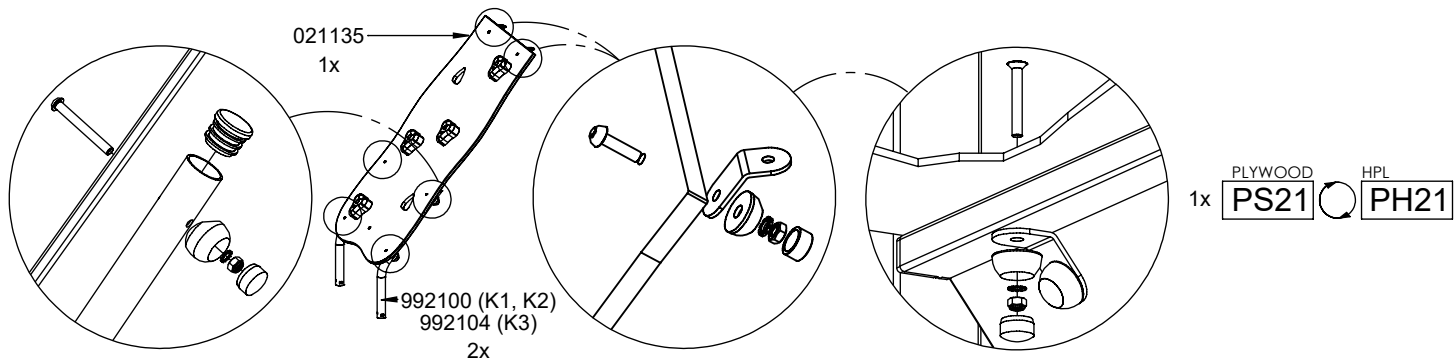
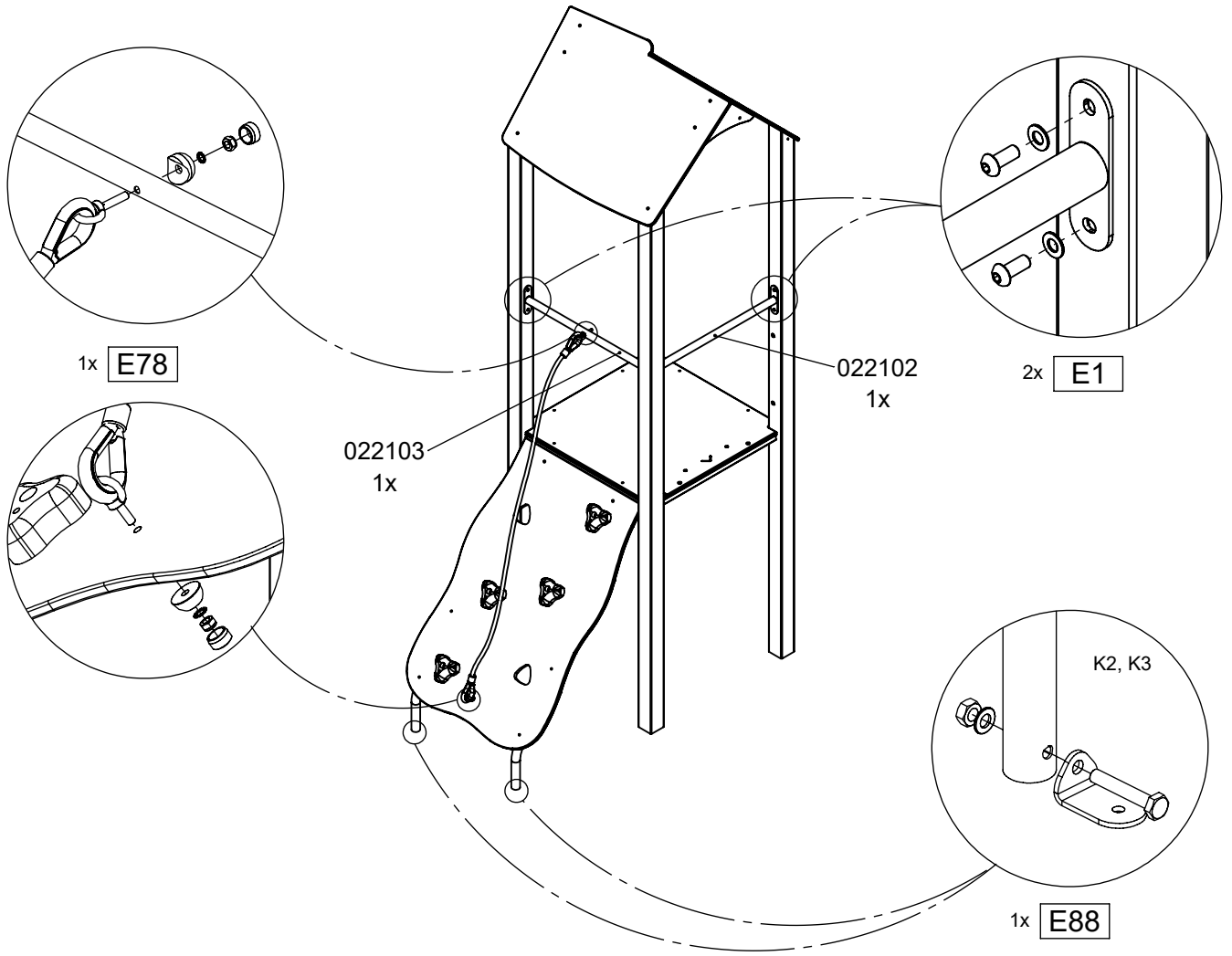
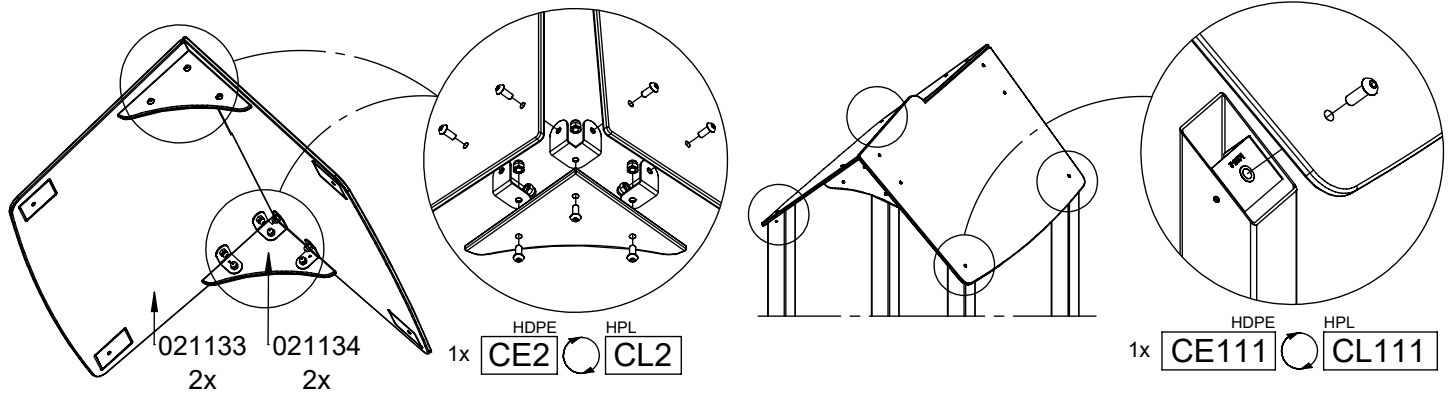




[cm]



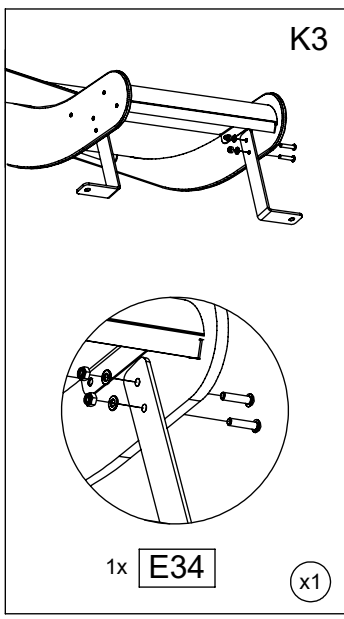
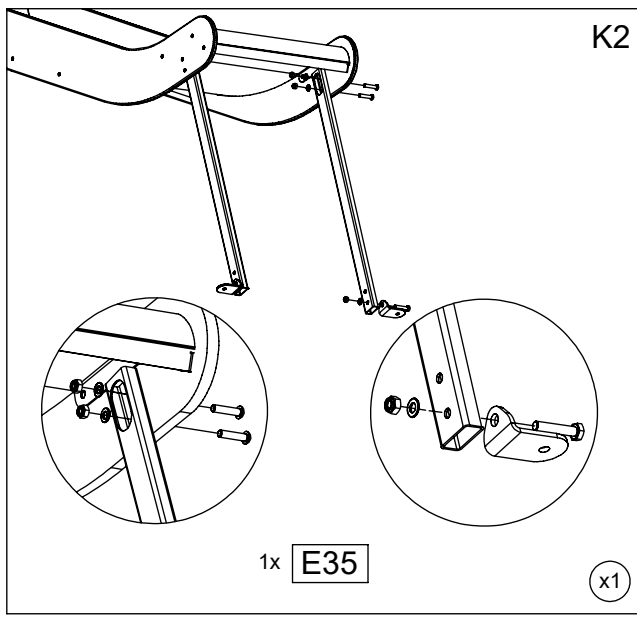
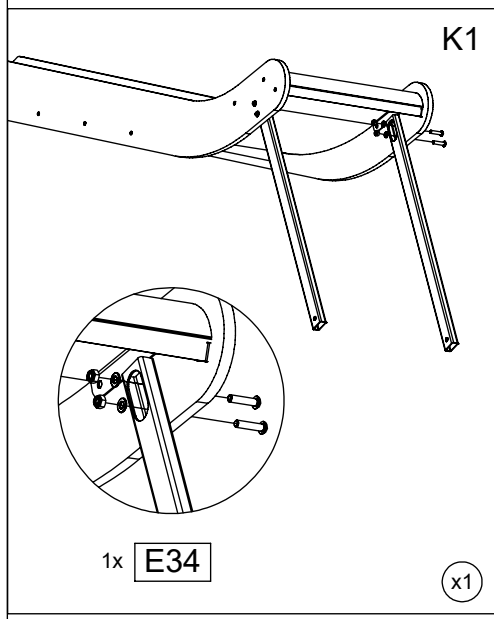
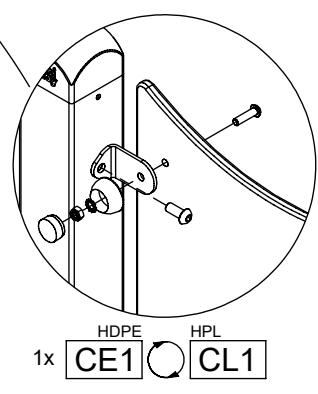
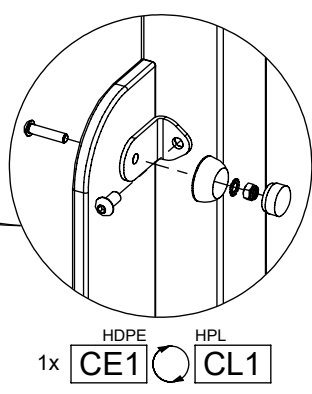
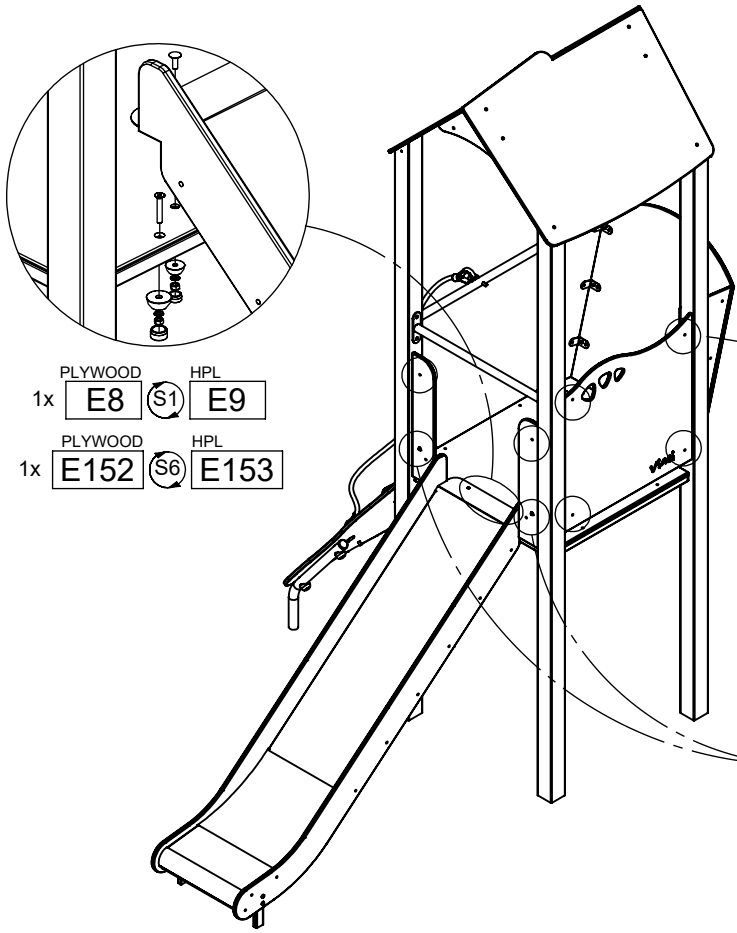
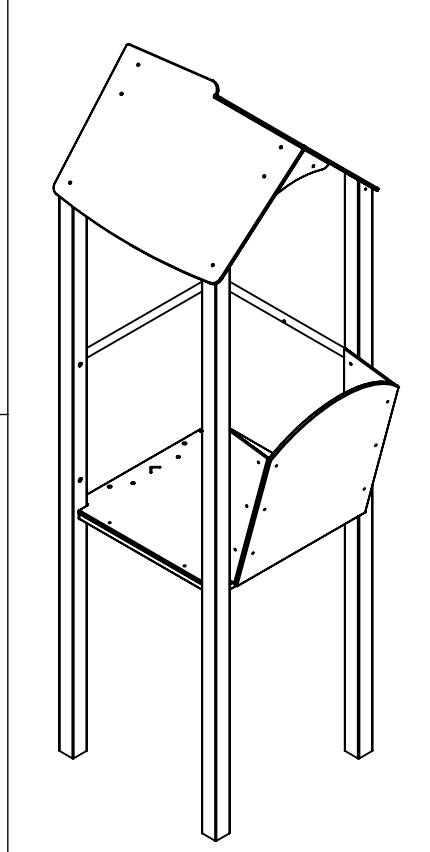
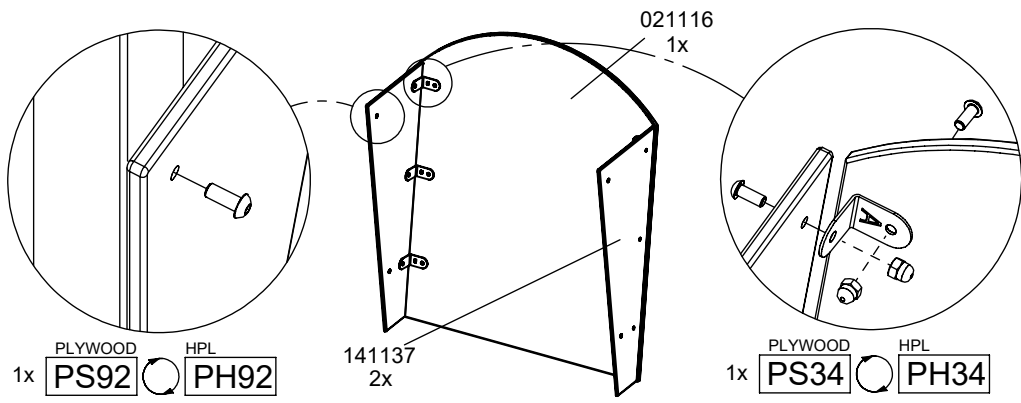
vinci
play



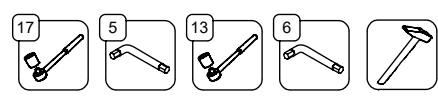
[cm]



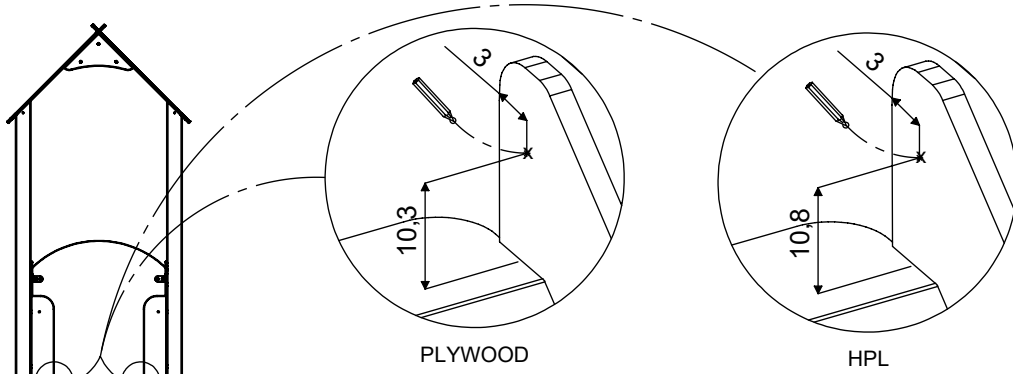
vinci
play



[cm]

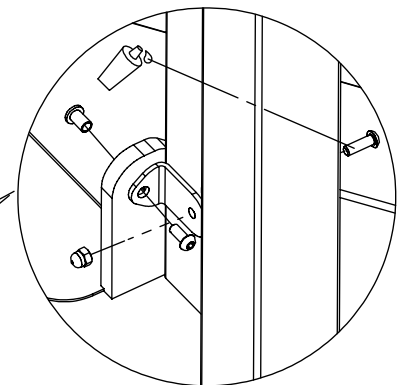
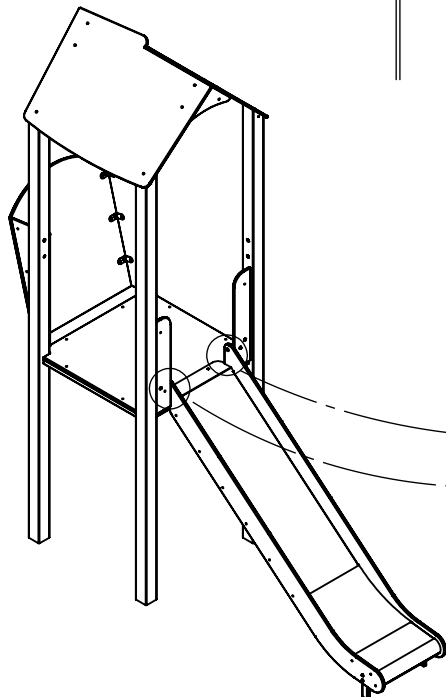
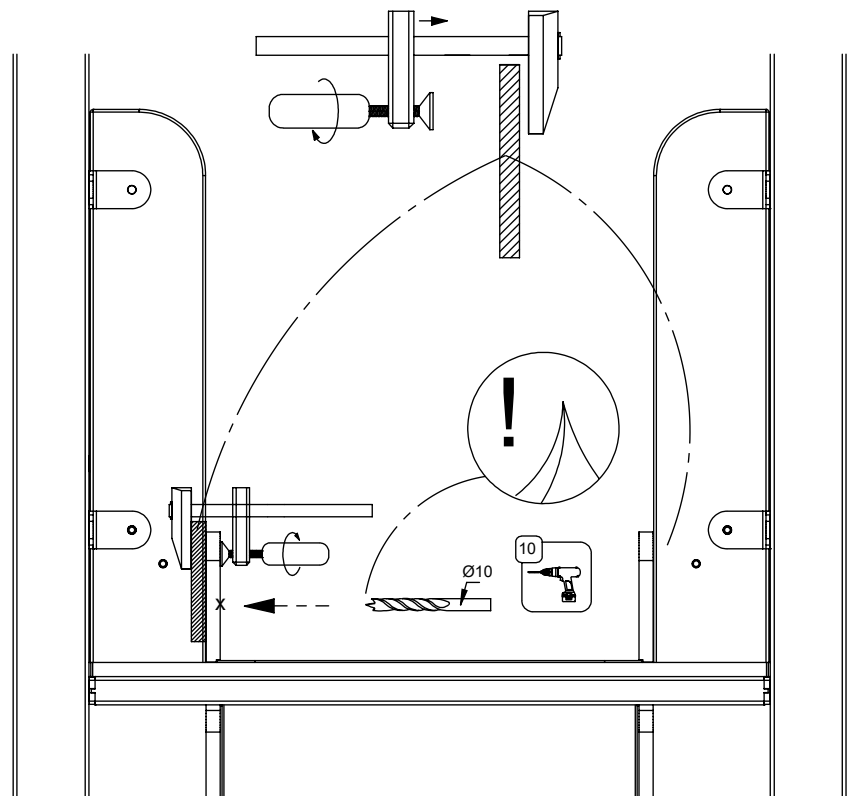


vinci
play



PLYWOOD

HPL



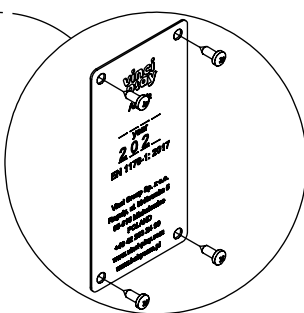
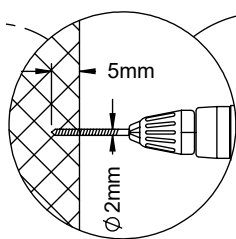
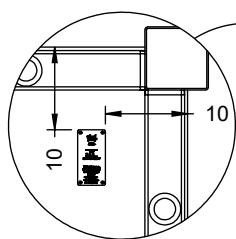
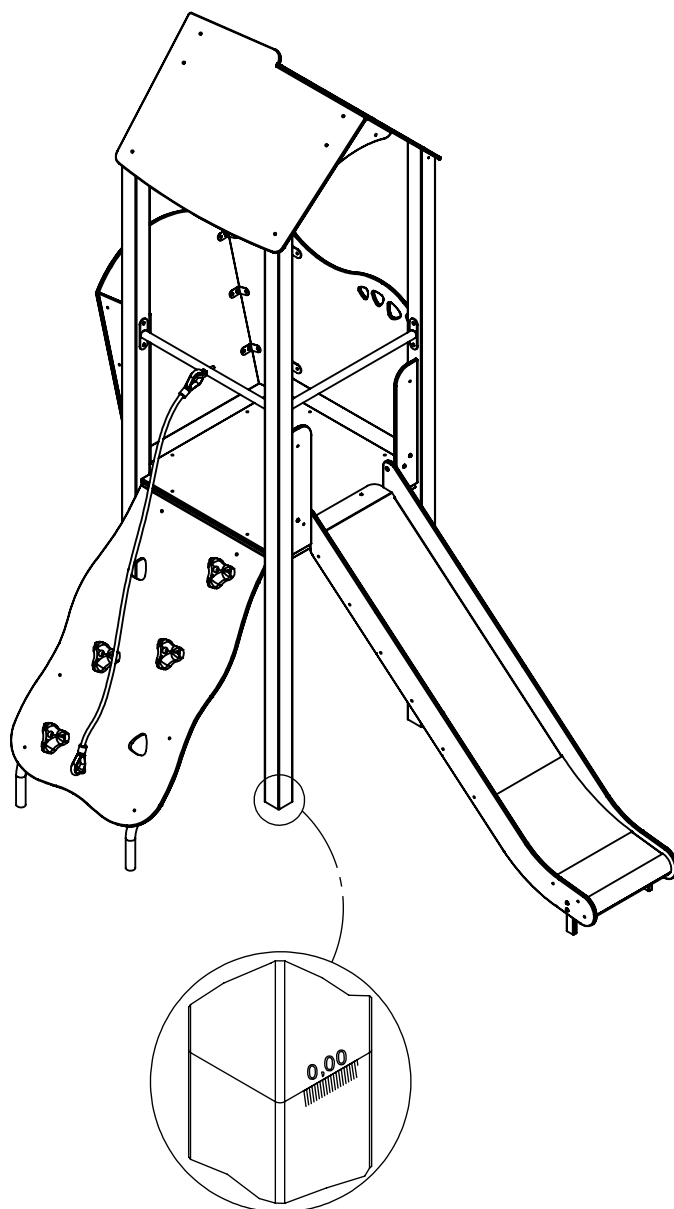
1x

HDPE	HPL
CE31	CL31

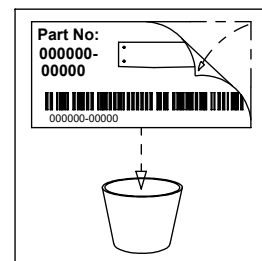


[cm]

vinci
play



V001



[cm]



vinci
play